








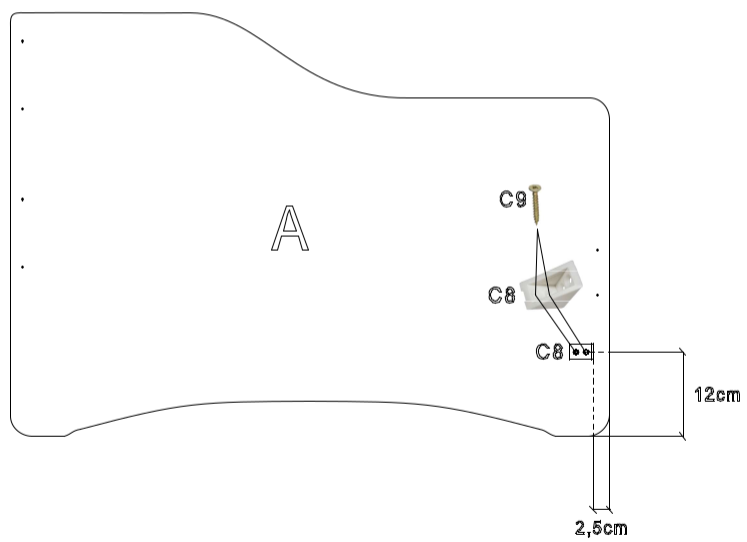
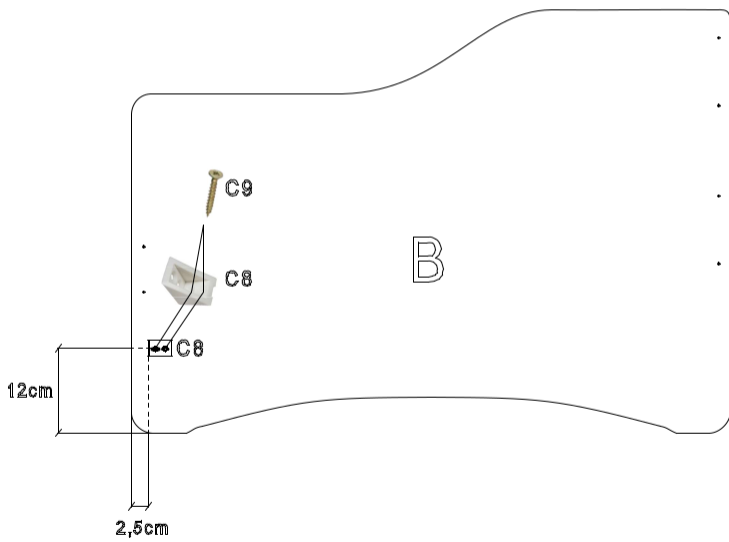
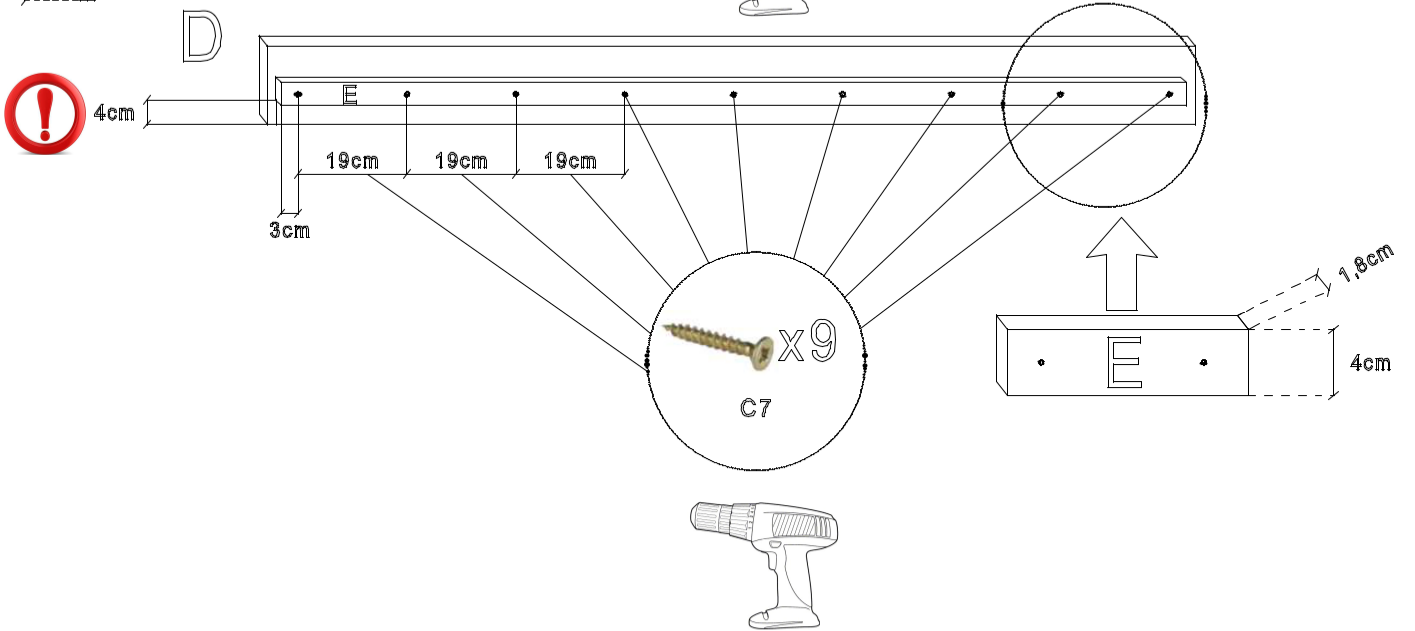
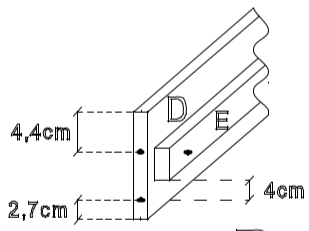
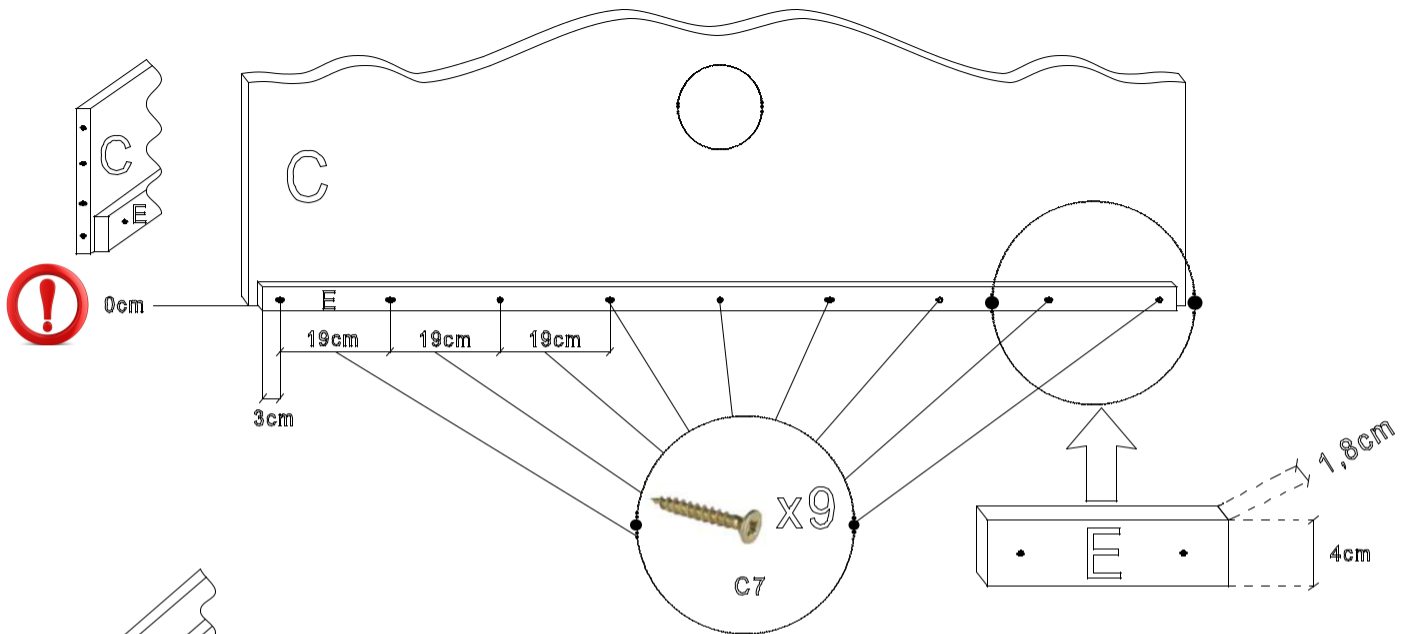
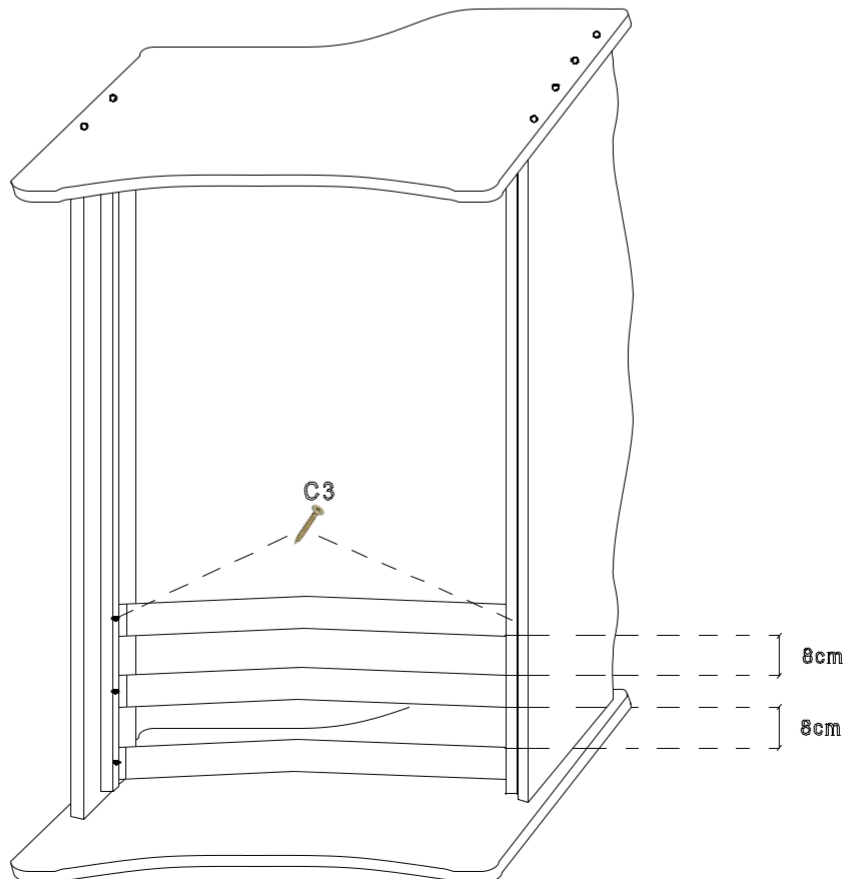
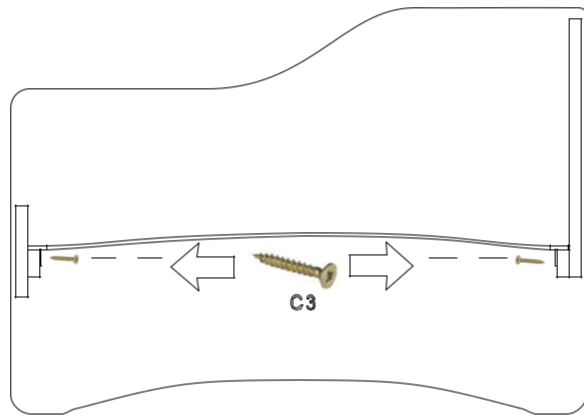
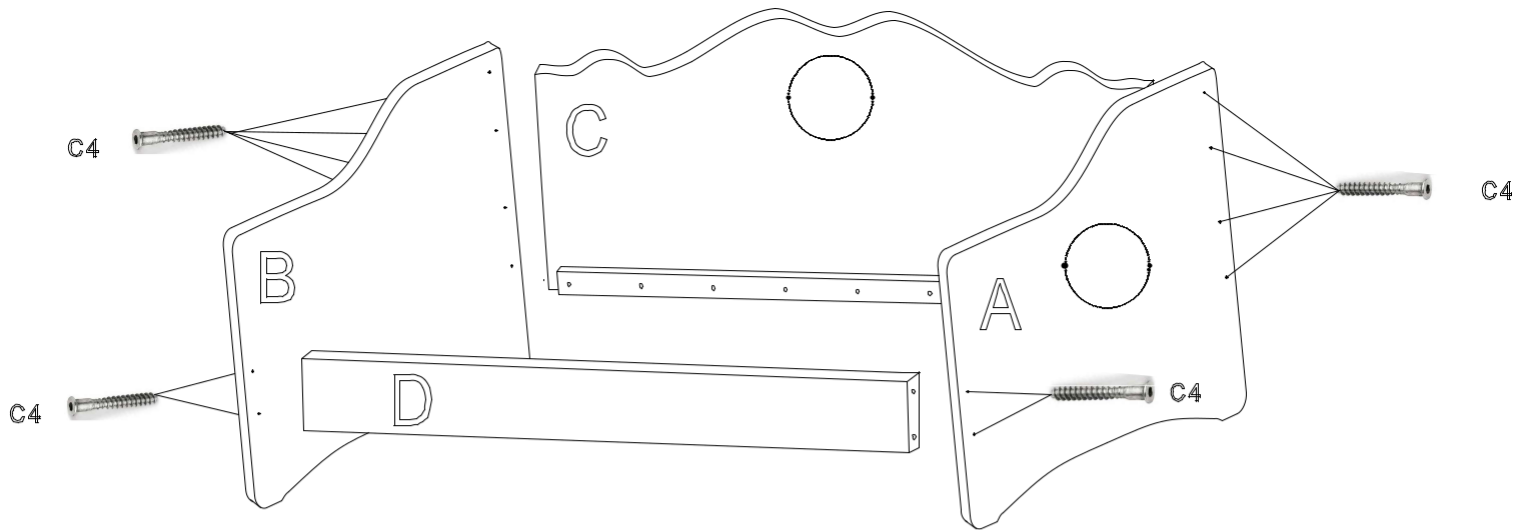
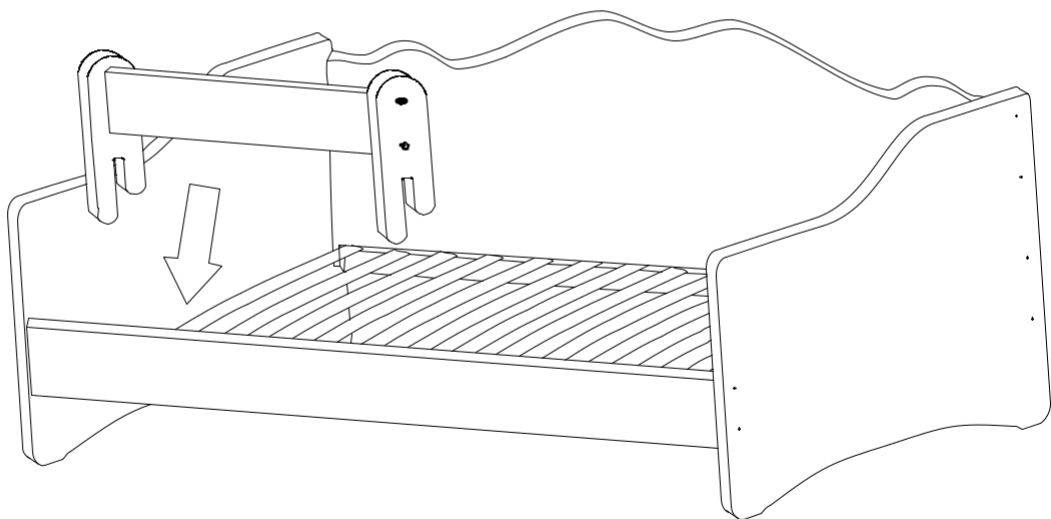
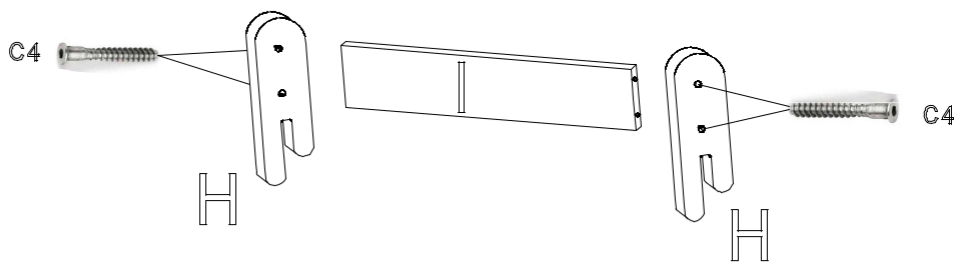
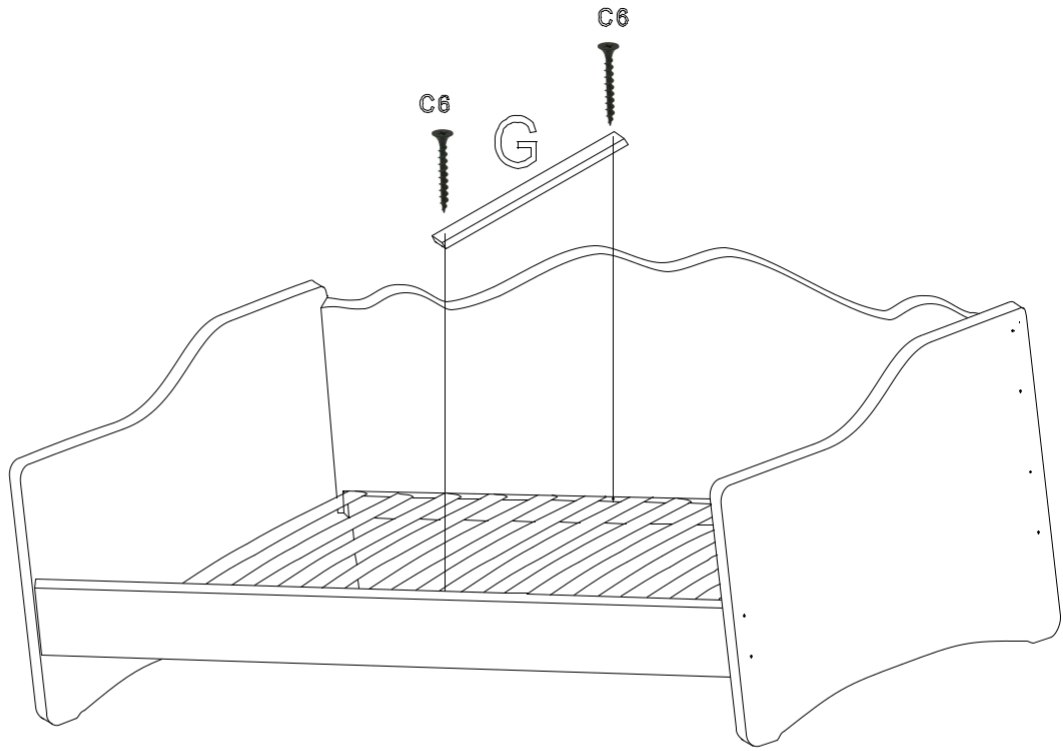


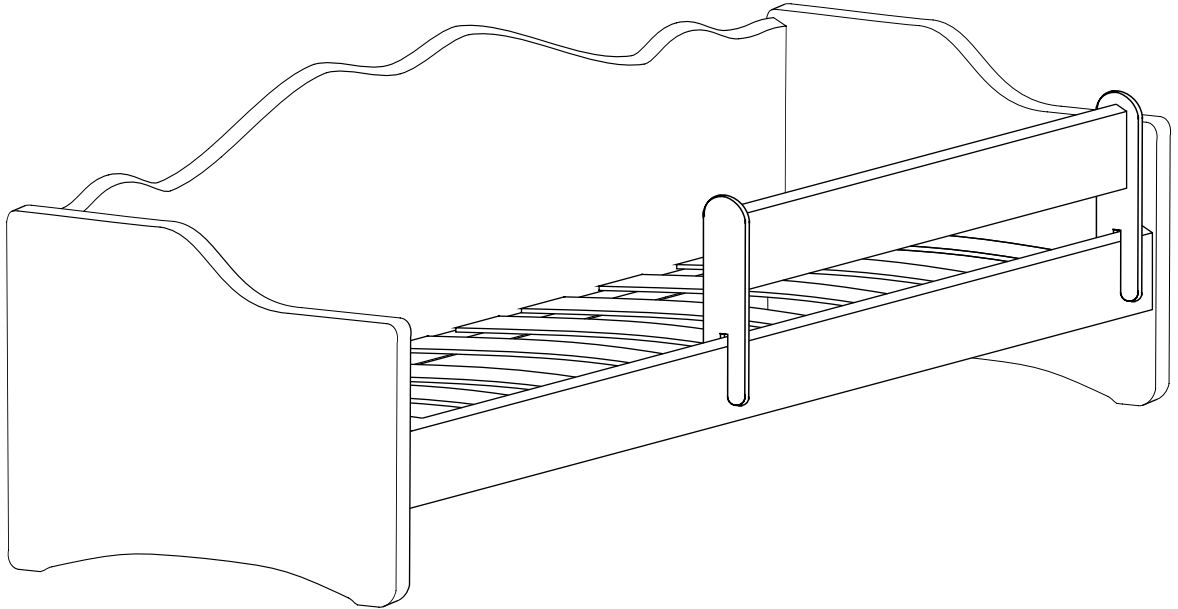
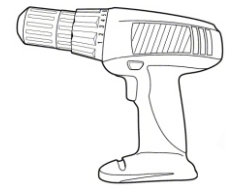
|                                                                                                                  |                                                                                                                   |                                                                                                                   |                                                                                                                    |                                                                                                              |
|------------------------------------------------------------------------------------------------------------------|-------------------------------------------------------------------------------------------------------------------|-------------------------------------------------------------------------------------------------------------------|--------------------------------------------------------------------------------------------------------------------|--------------------------------------------------------------------------------------------------------------|
| <b>C1</b><br><br>24 pcs       | <b>C2</b><br><br>1 pcs         | <b>C3</b><br><br>3,0x20 24 pcs | <b>C4</b><br><br>16 pcs       | <b>C5</b><br><br>16 pcs |
| <b>C6</b><br><br>3,0x35 2 pcs | <b>C7</b><br><br>3,5x30 18 pcs | <b>C8</b><br><br>2 pcs         | <b>C9</b><br><br>3,0x13 4 pcs |                                                                                                              |





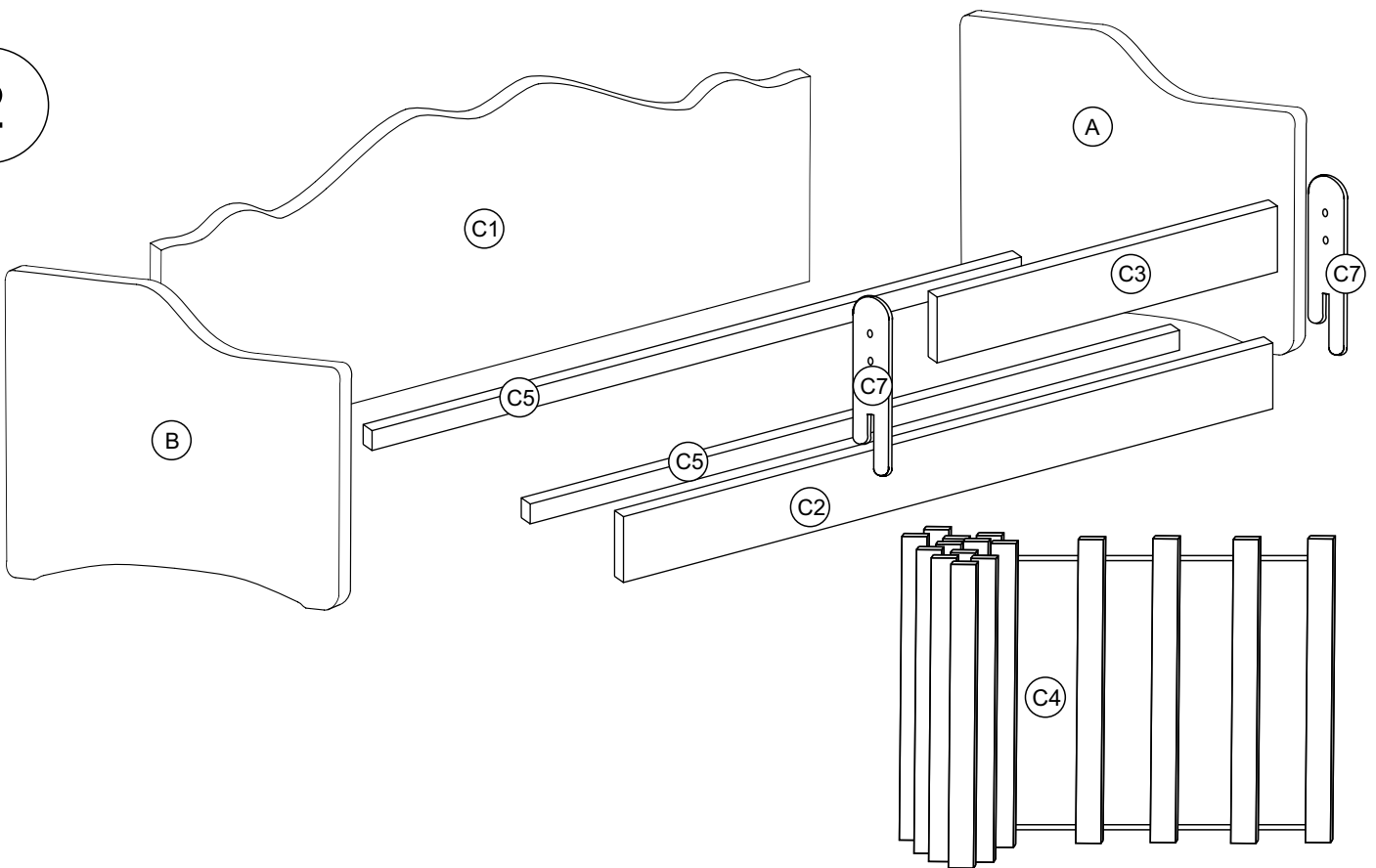


1

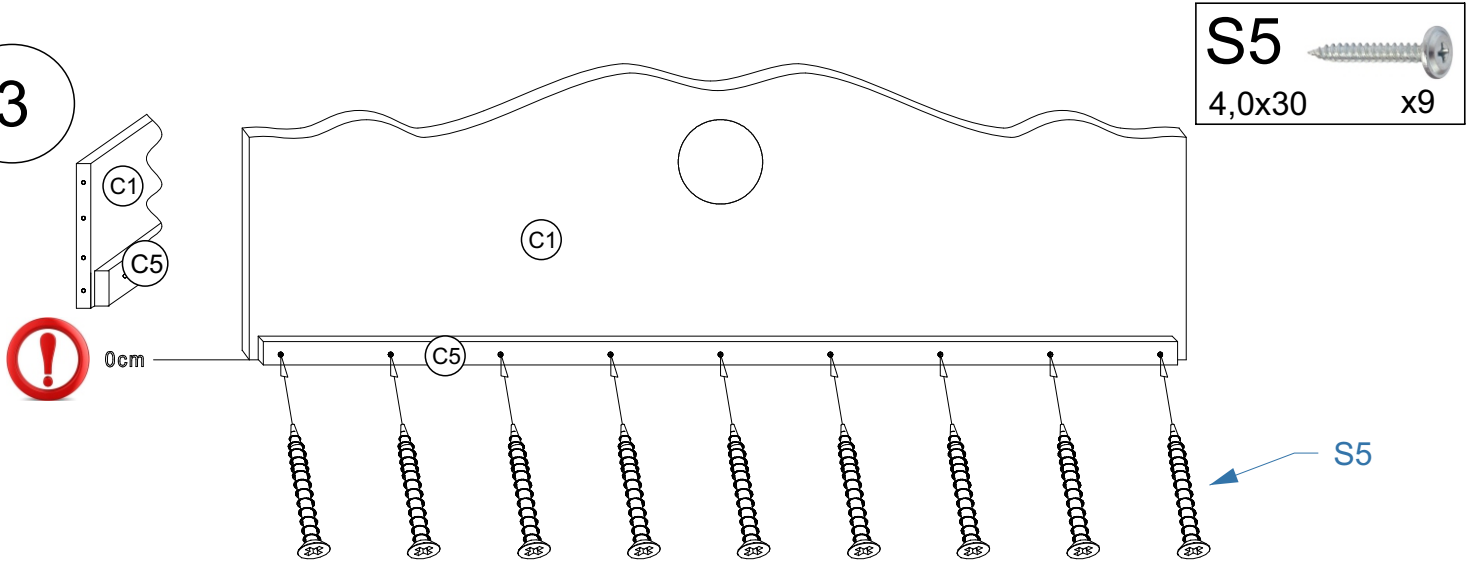


|           |                                                                                     |    |
|-----------|-------------------------------------------------------------------------------------|----|
| S1        |  | 16 |
| S2        |  | 16 |
| S3 3,5x20 |  | 6  |
| S4        |  | 1  |
| S5 4,0x30 |  | 18 |
| S6        |  | 4  |
| S7        |  | 2  |
| S8 3,5x13 |  | 4  |
| S9        |  |    |

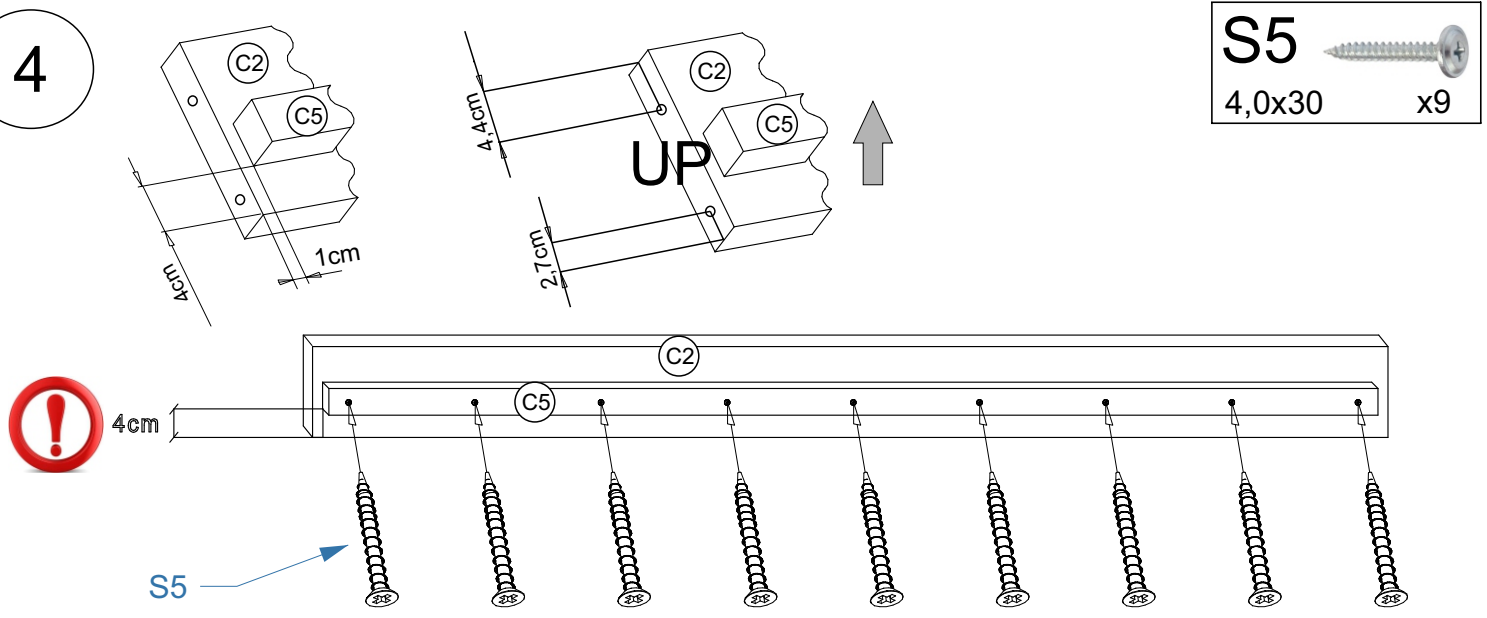
2



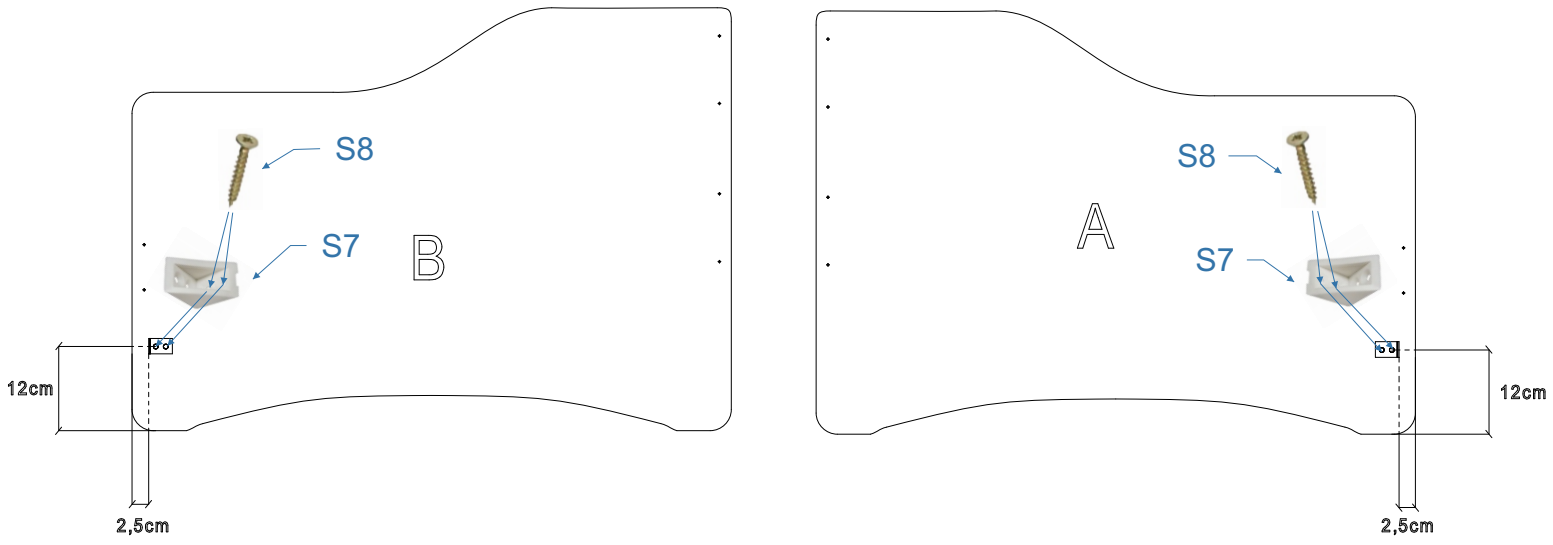
3



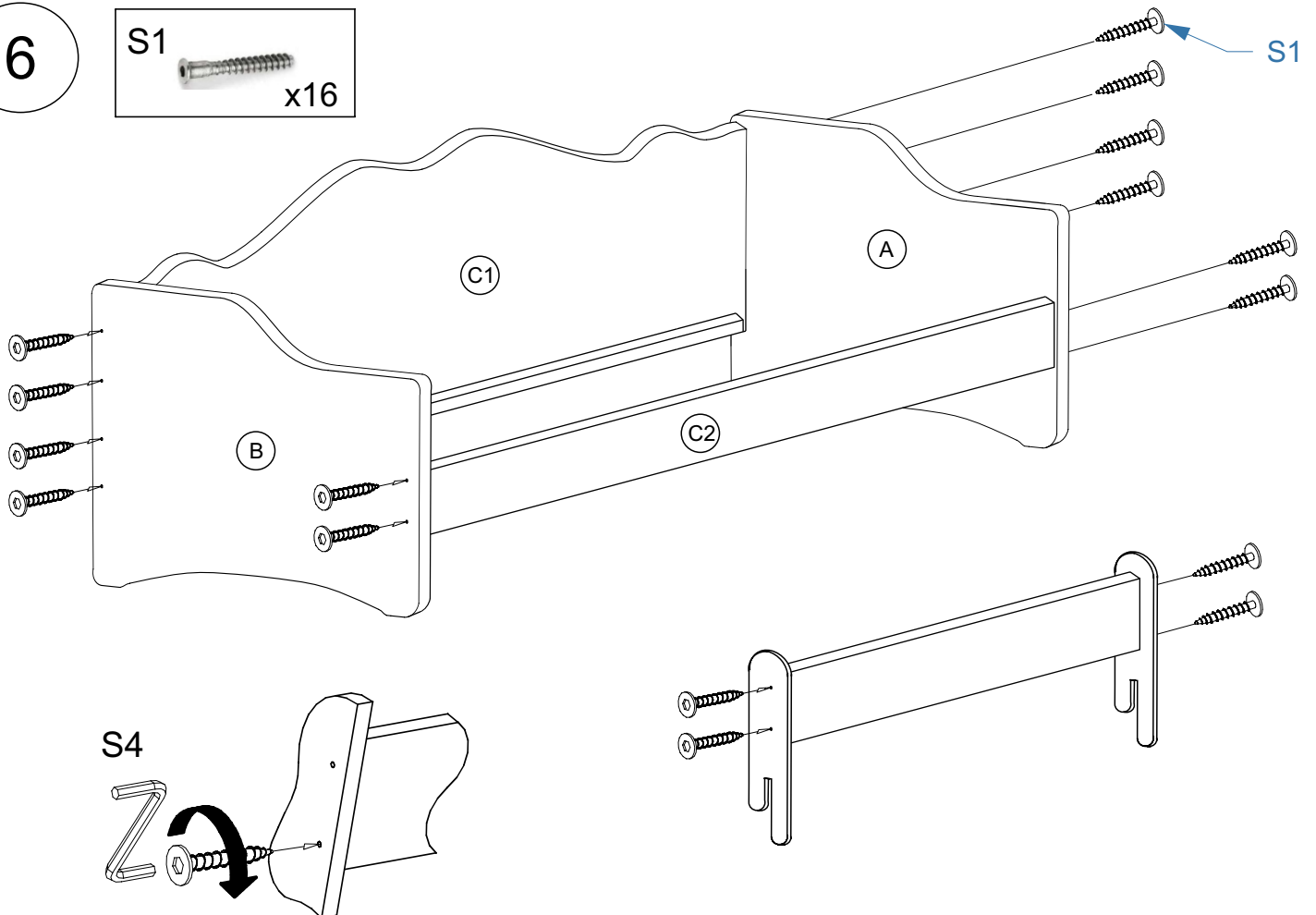
4



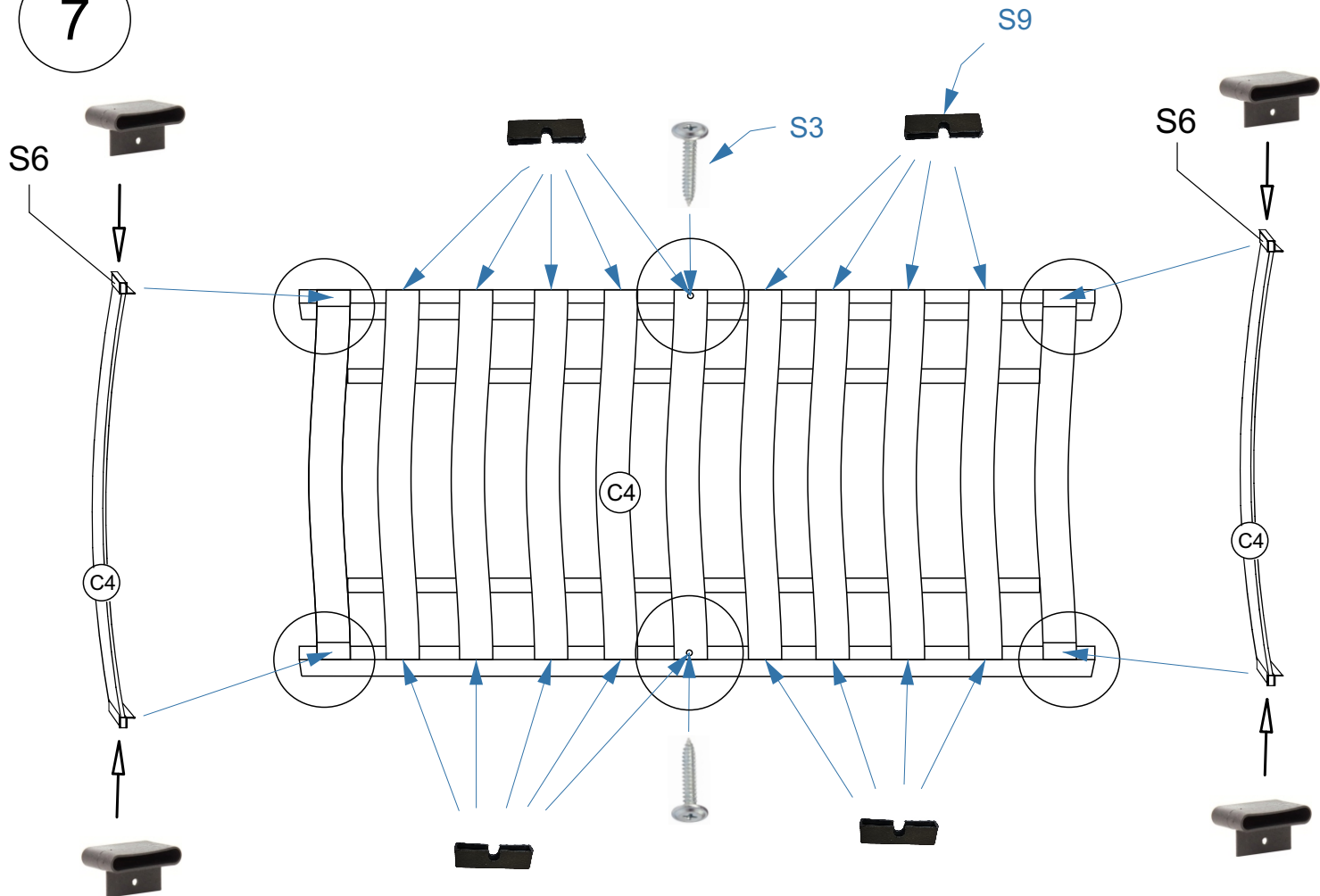
5



6

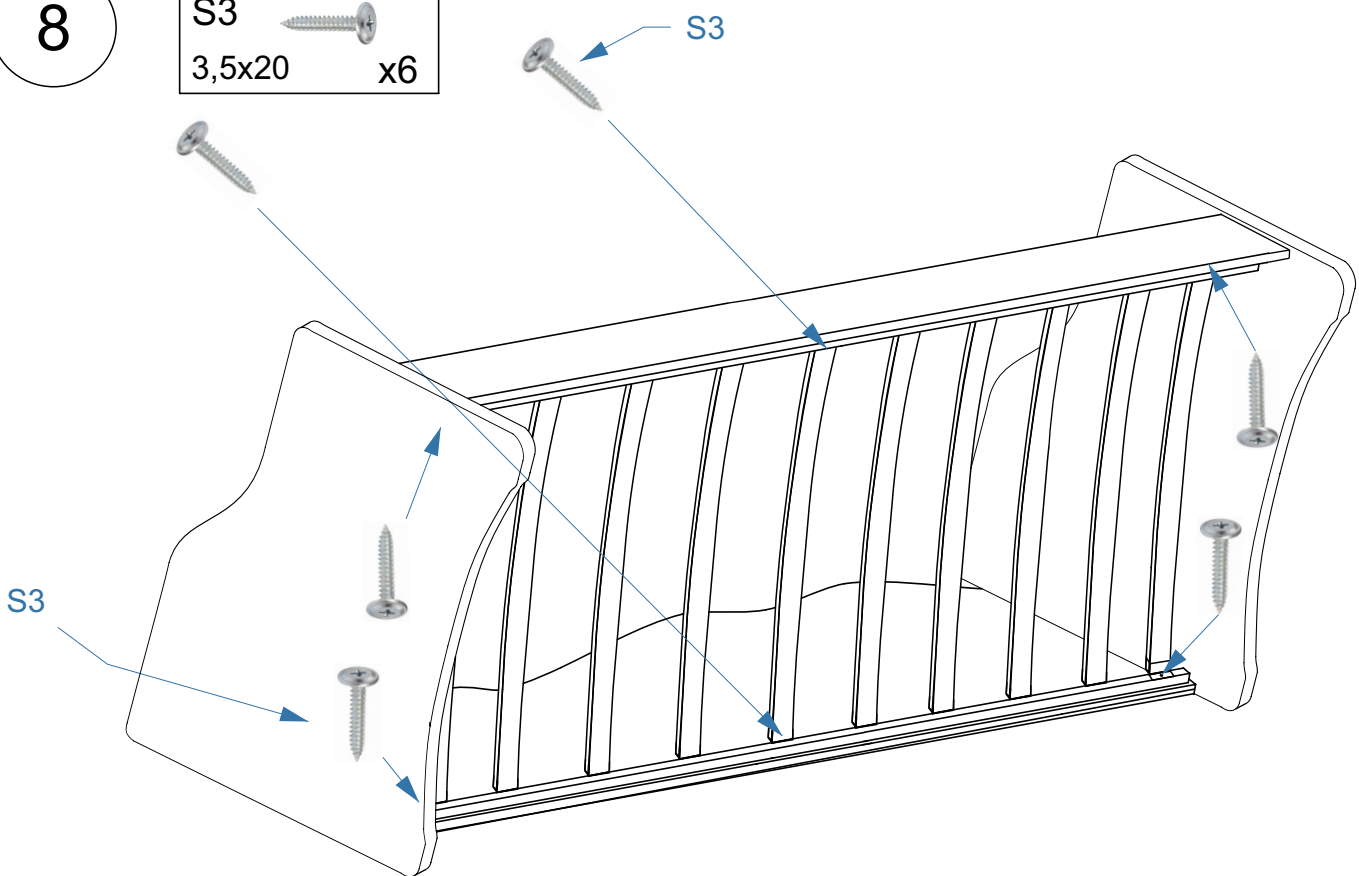


7













8

S3  
3,5x20 x6





# SZ/13

|     |                                                                                          |     |
|-----|------------------------------------------------------------------------------------------|-----|
| S1  |         | 8x  |
| S2  |         | 8x  |
| S3  | 3,5x20  | 24x |
| S4  |         | 1x  |
| S5  |         | 2x  |
| S6  | 3,5x40  | 2x  |
| S7  |         | 1x  |
| S8  |         | 6x  |
| S9  |         | 4x  |
| S10 |         | 1x  |

