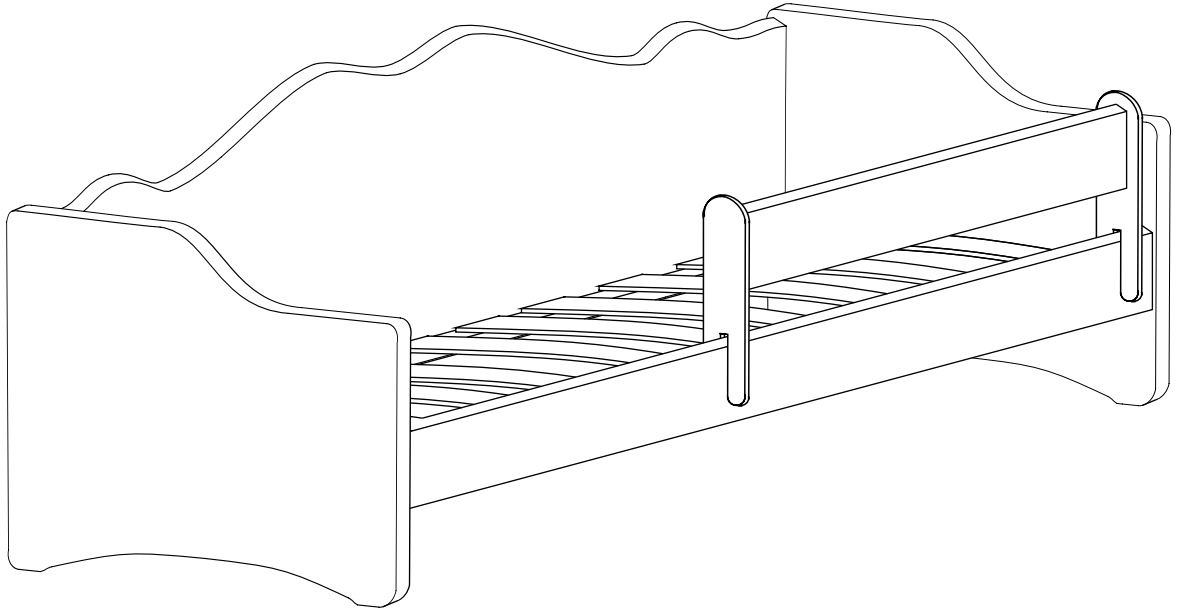
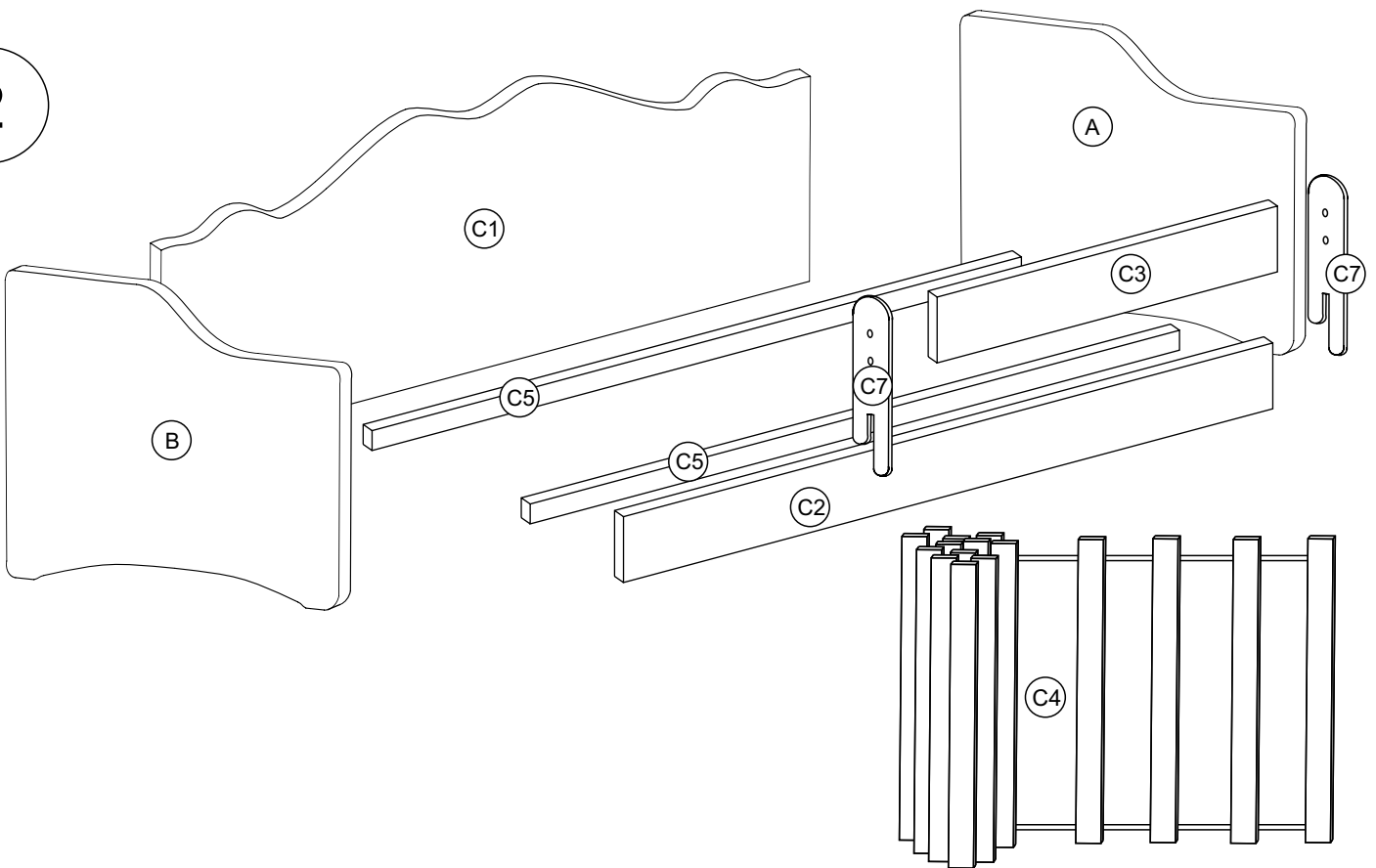


1

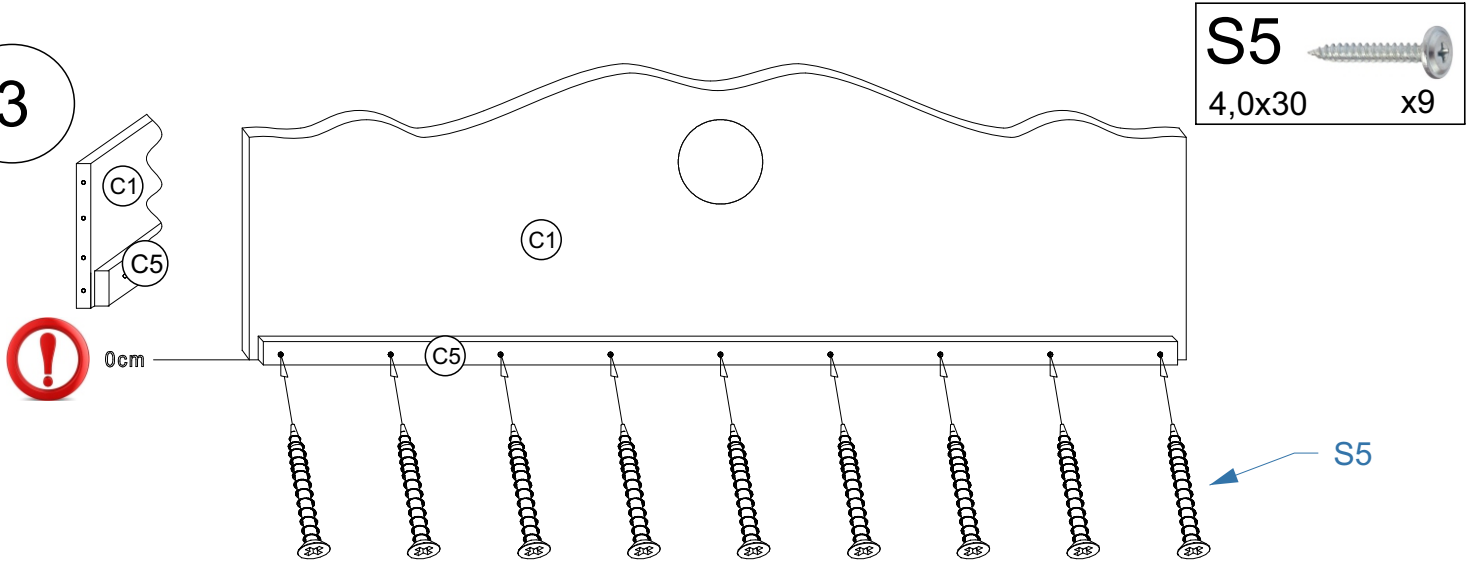


S1		16
S2		16
S3 3,5x20		6
S4		1
S5 4,0x30		18
S6		4
S7		2
S8 3,5x13		4
S9		

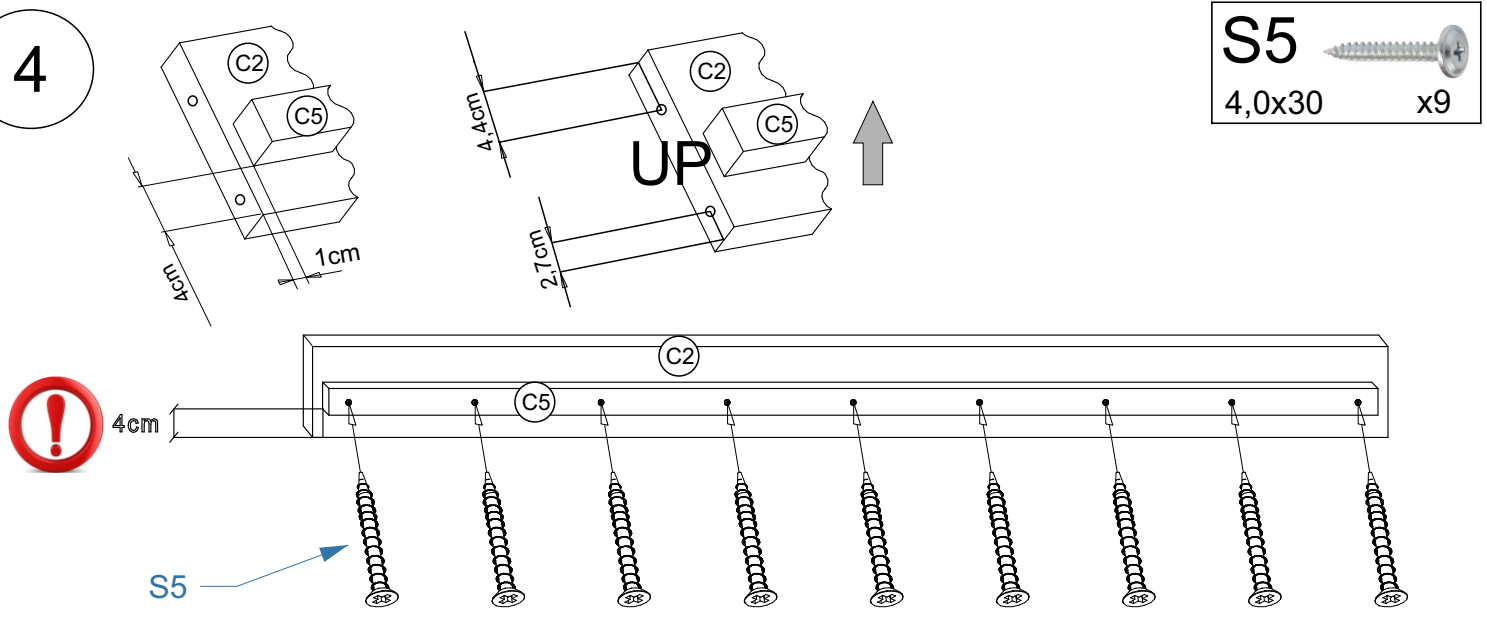
2



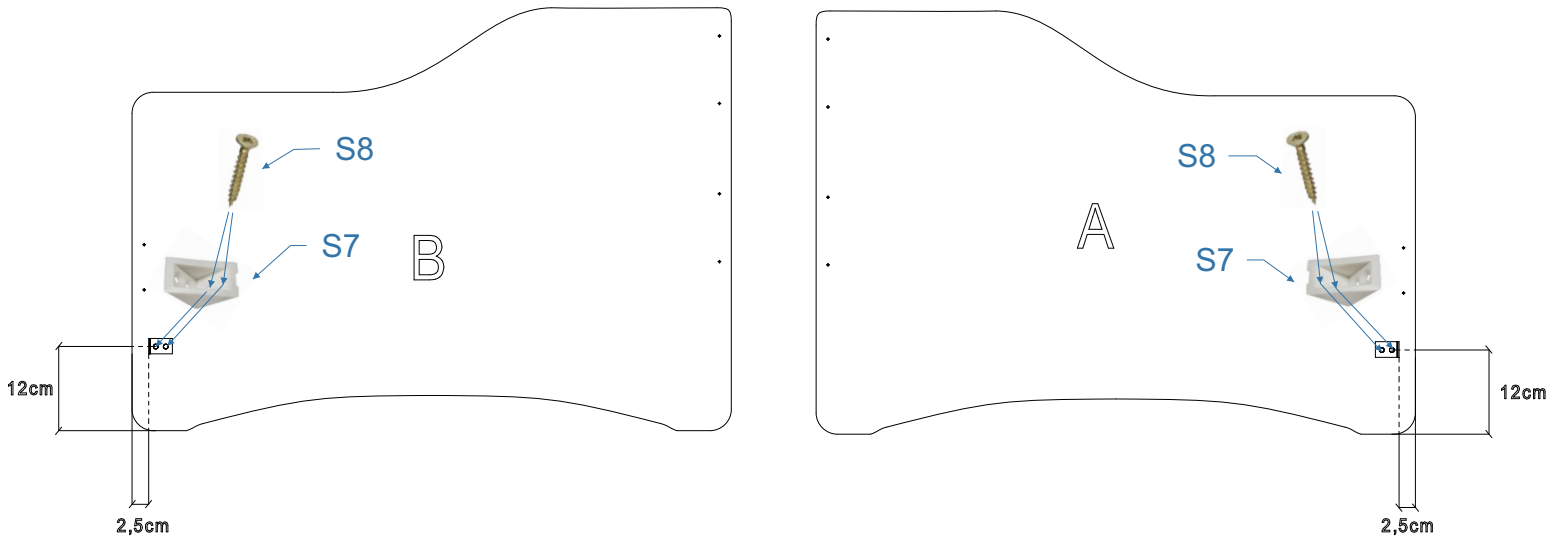
3



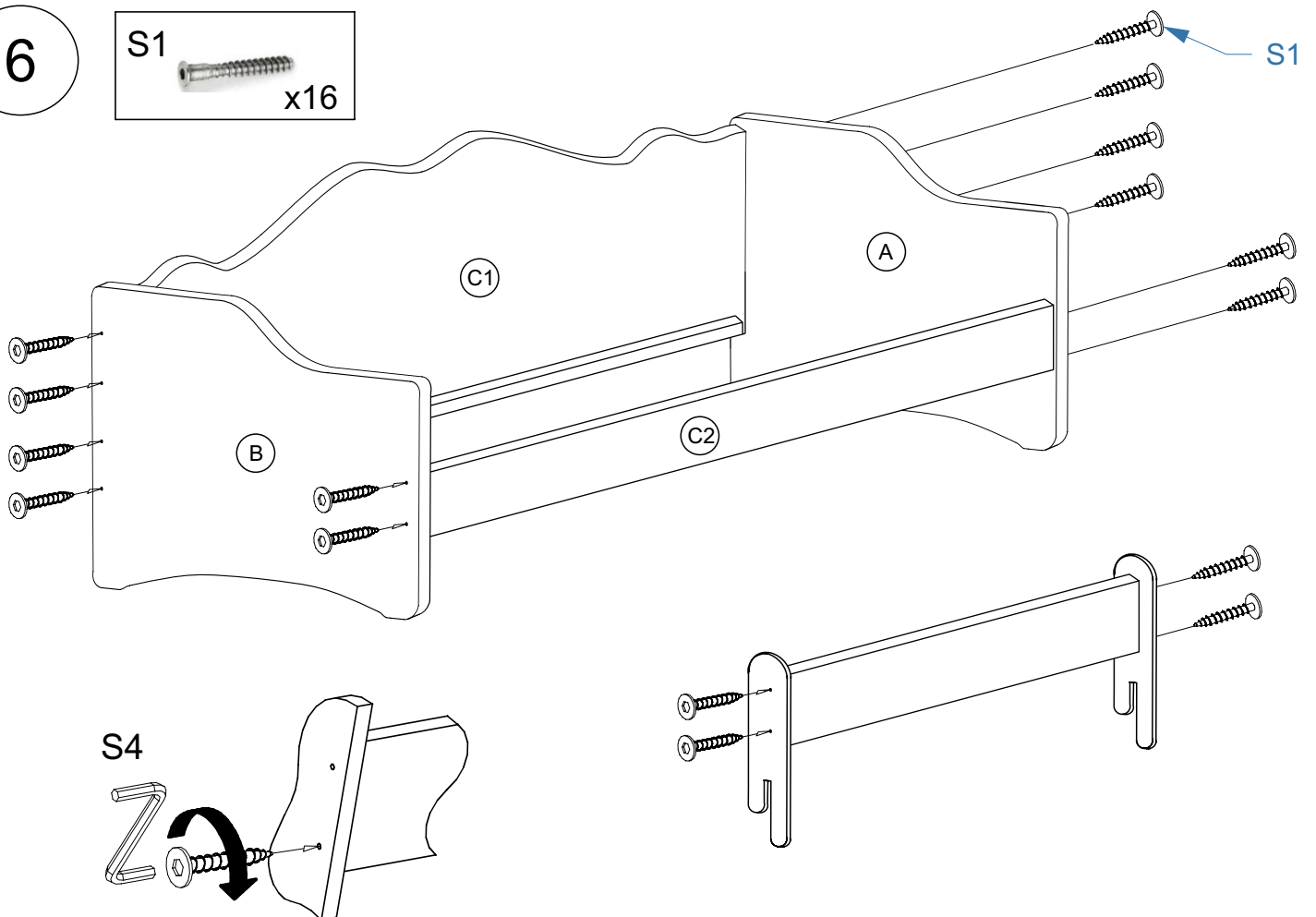
4



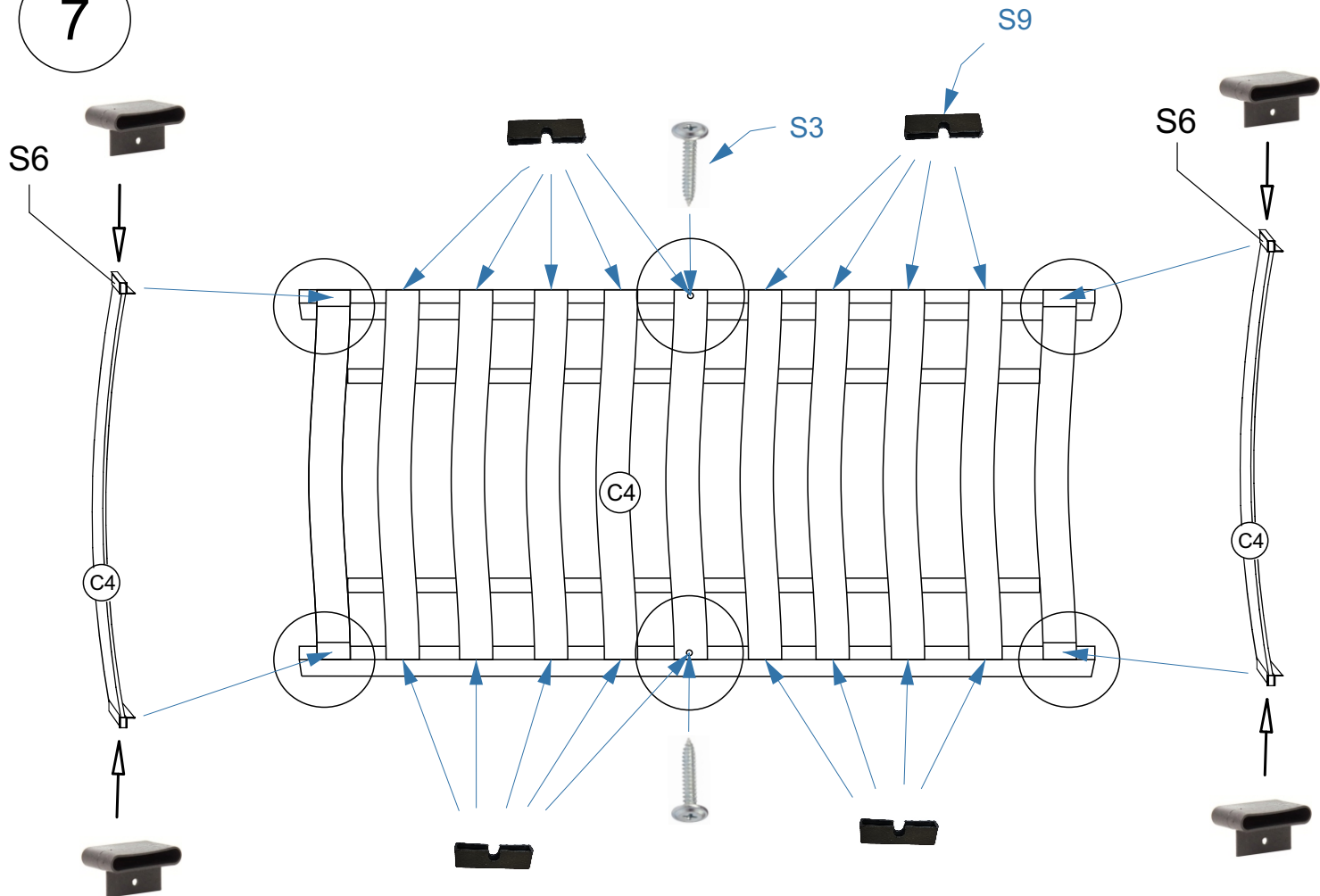
5



6

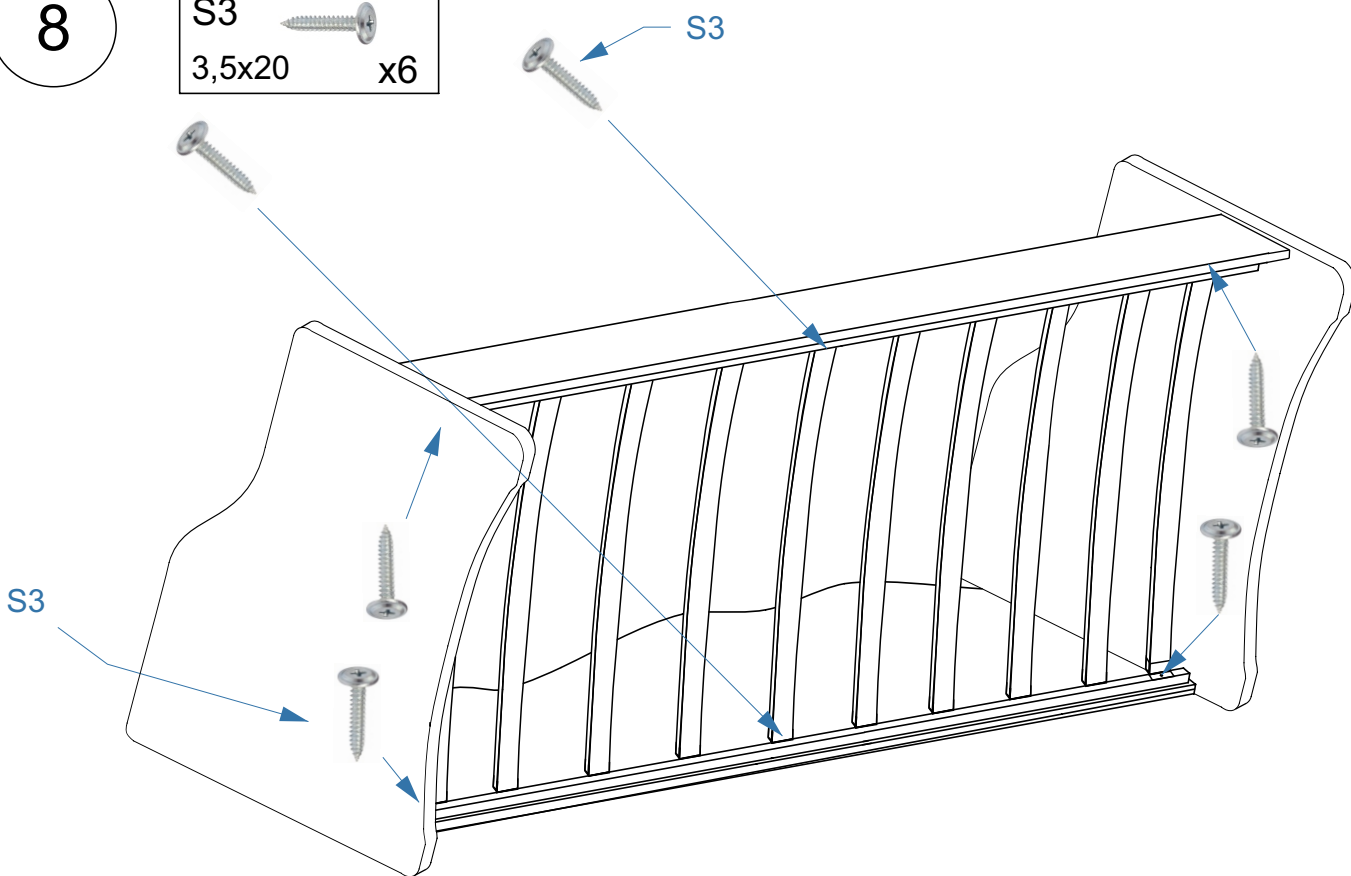


7











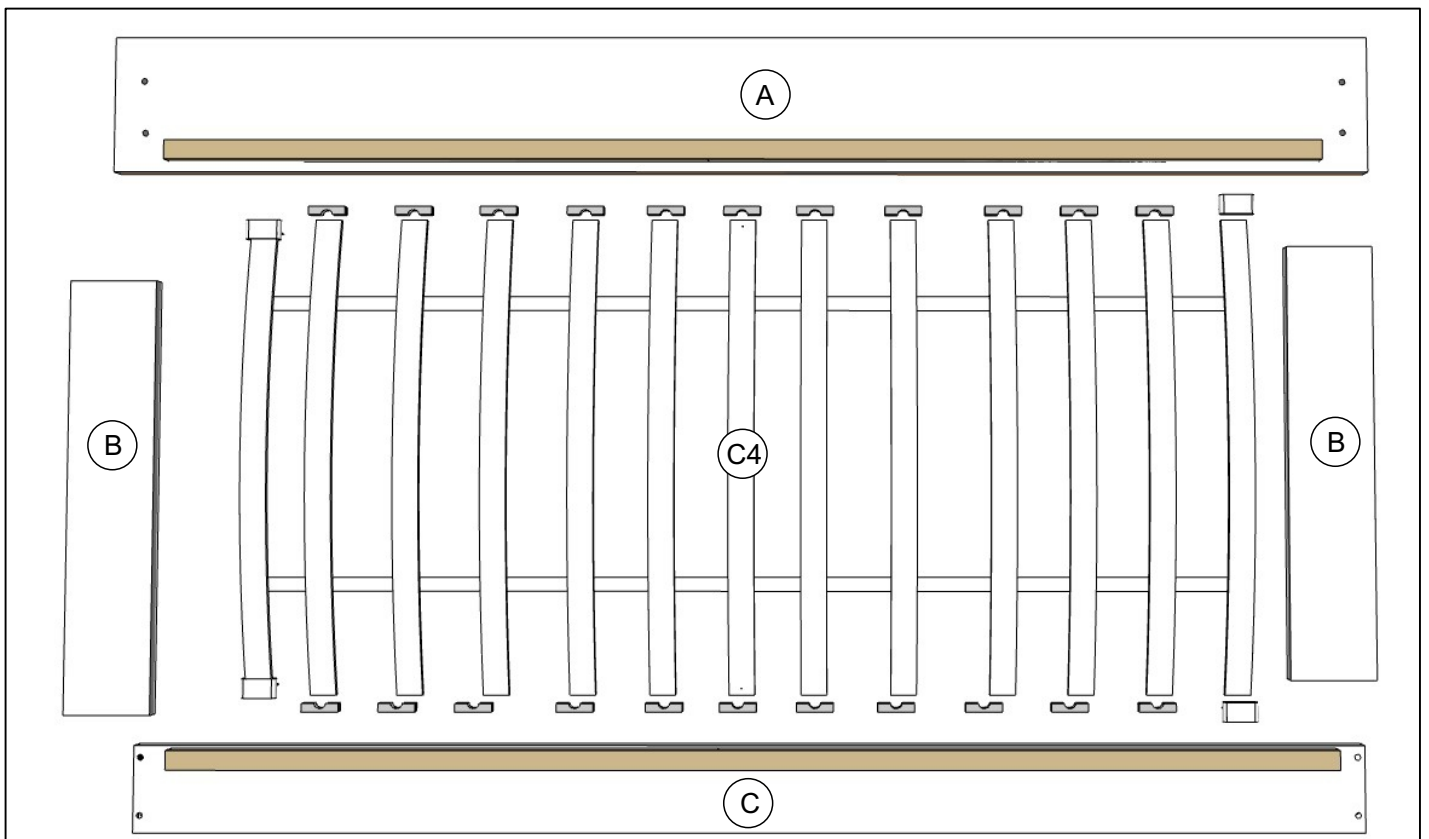
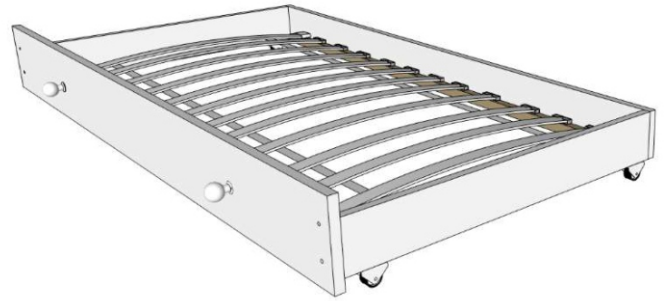
8

S3  
3,5x20 x6



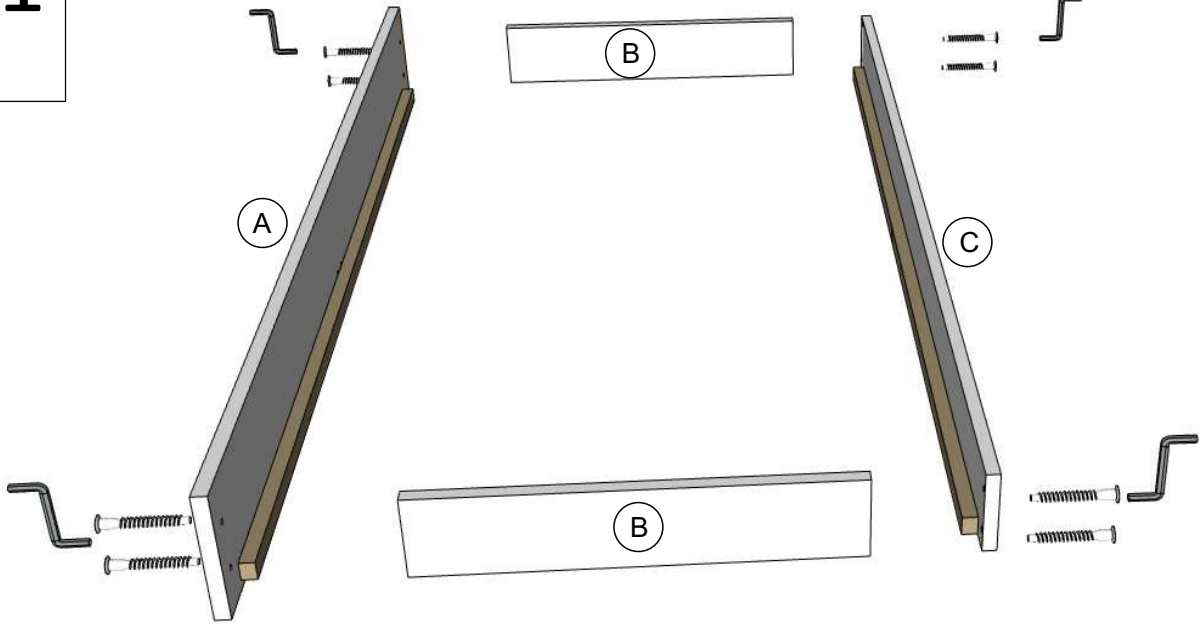
# SZII/14

S1		12x
S8		4x
S3		14x
S4		1x
S6		X4
S7		
S2		12x
S5		2x



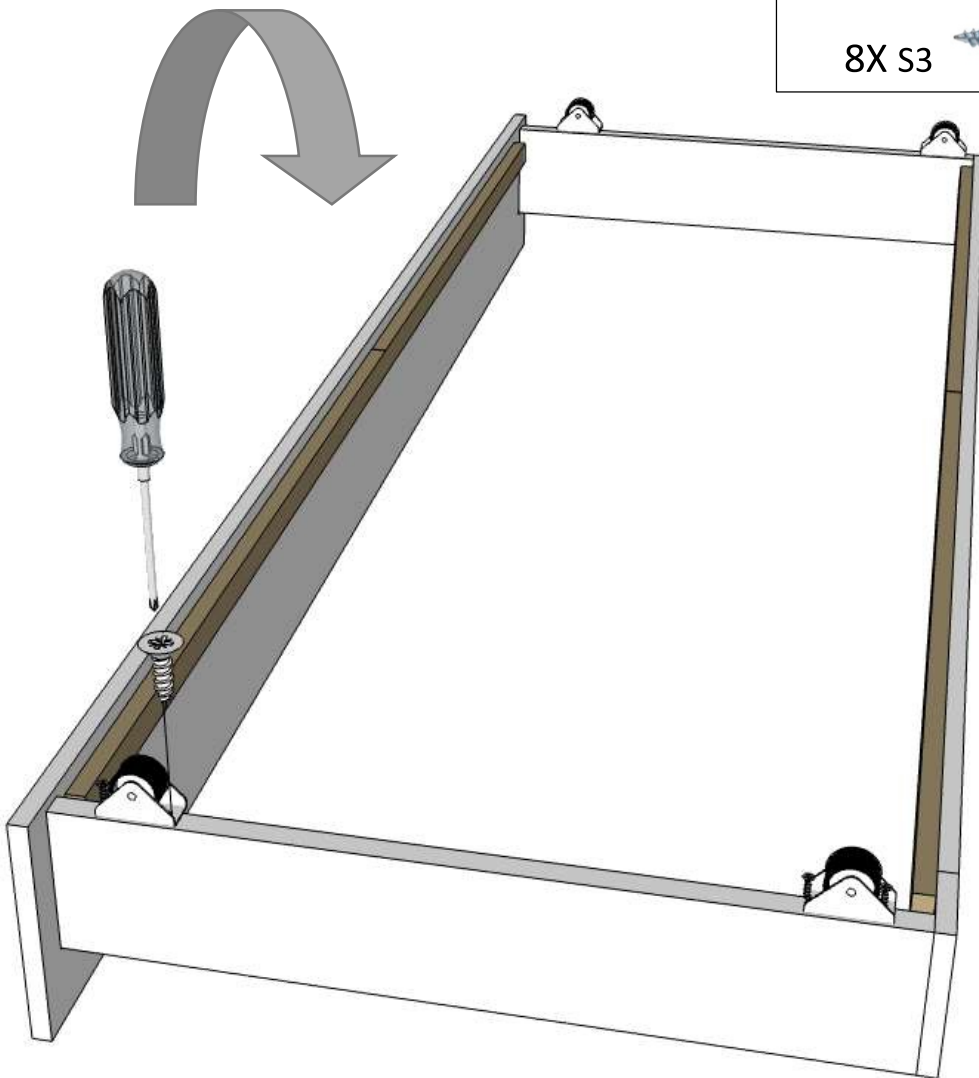
1

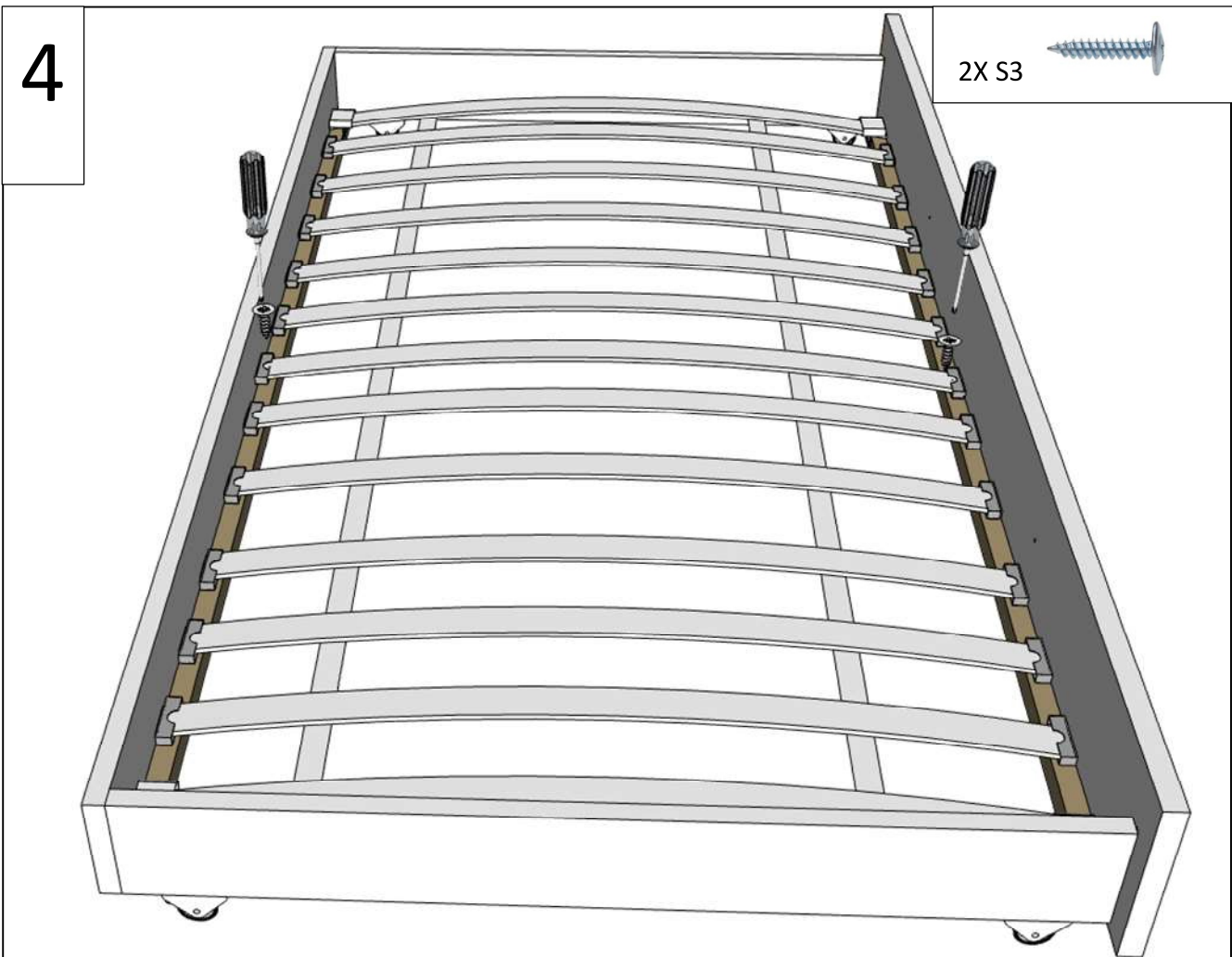
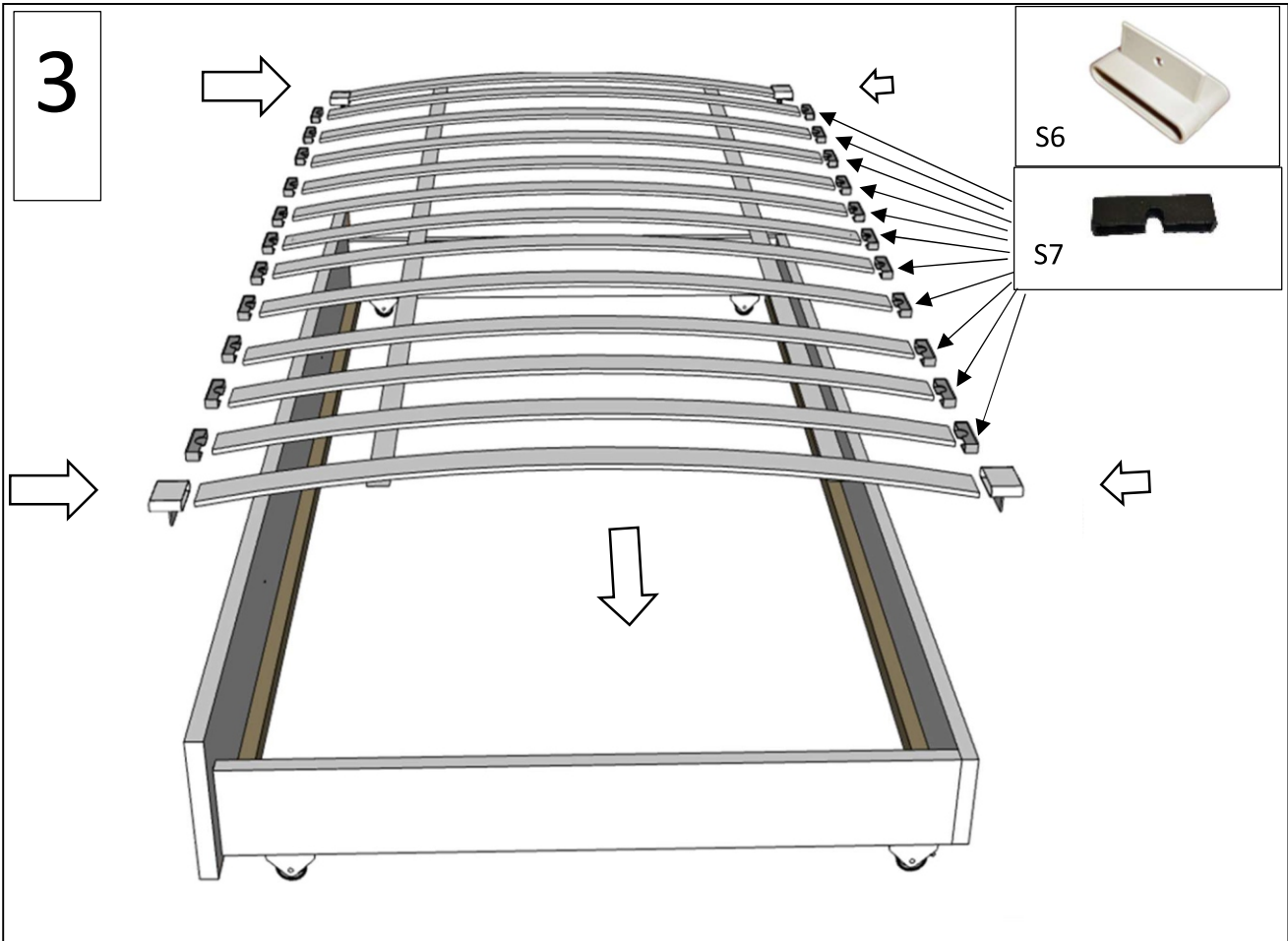
8X S1



2

8X S3







5

4x S3

