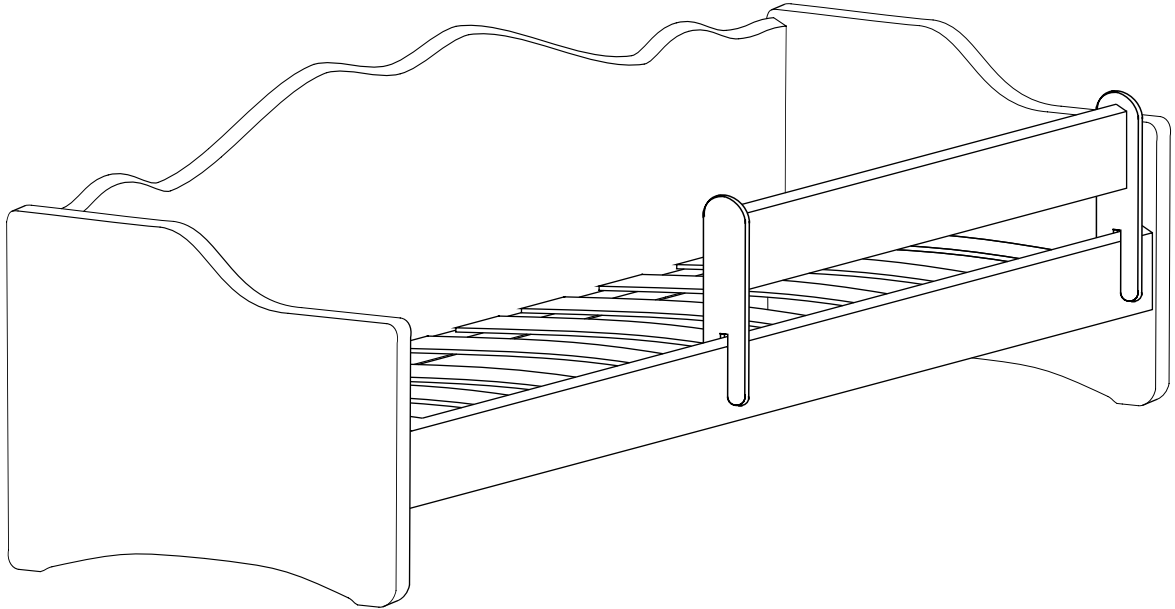
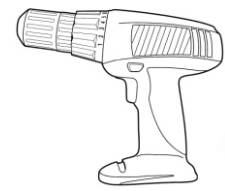
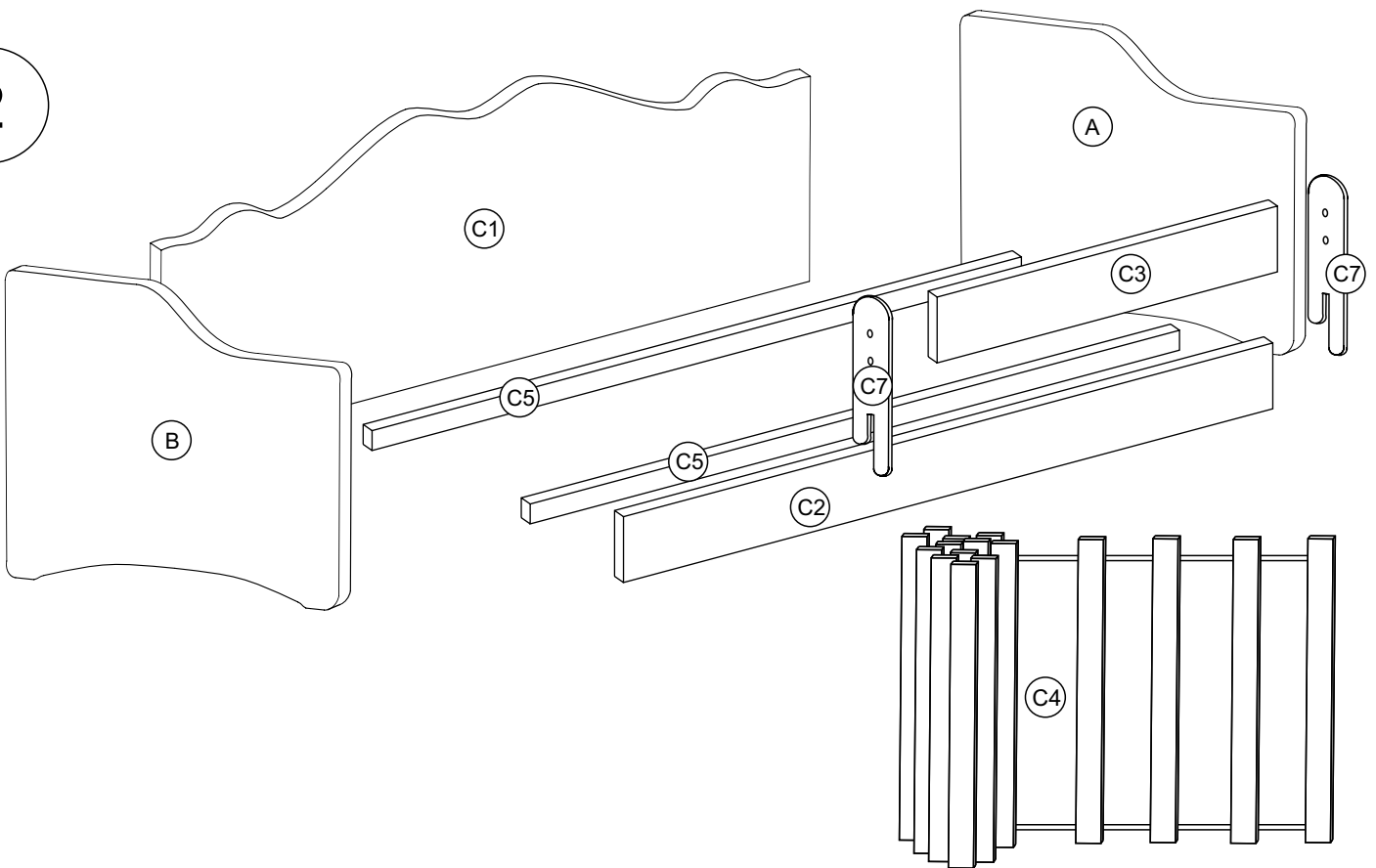


1

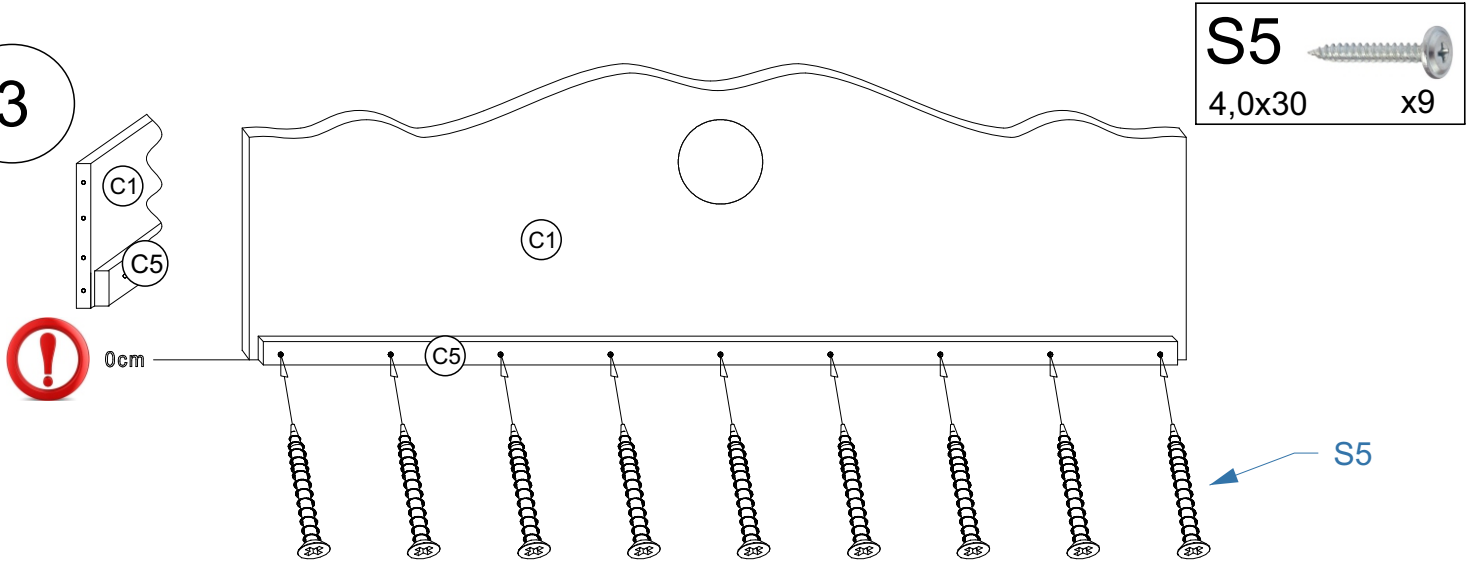


|           |   |    |
|-----------|---|----|
| S1        |  | 16 |
| S2        |  | 16 |
| S3 3,5x20 |  | 6  |
| S4        |  | 1  |
| S5 4,0x30 |  | 18 |
| S6        |  | 4  |
| S7        |  | 2  |
| S8 3,5x13 |  | 4  |
| S9        |  |    |

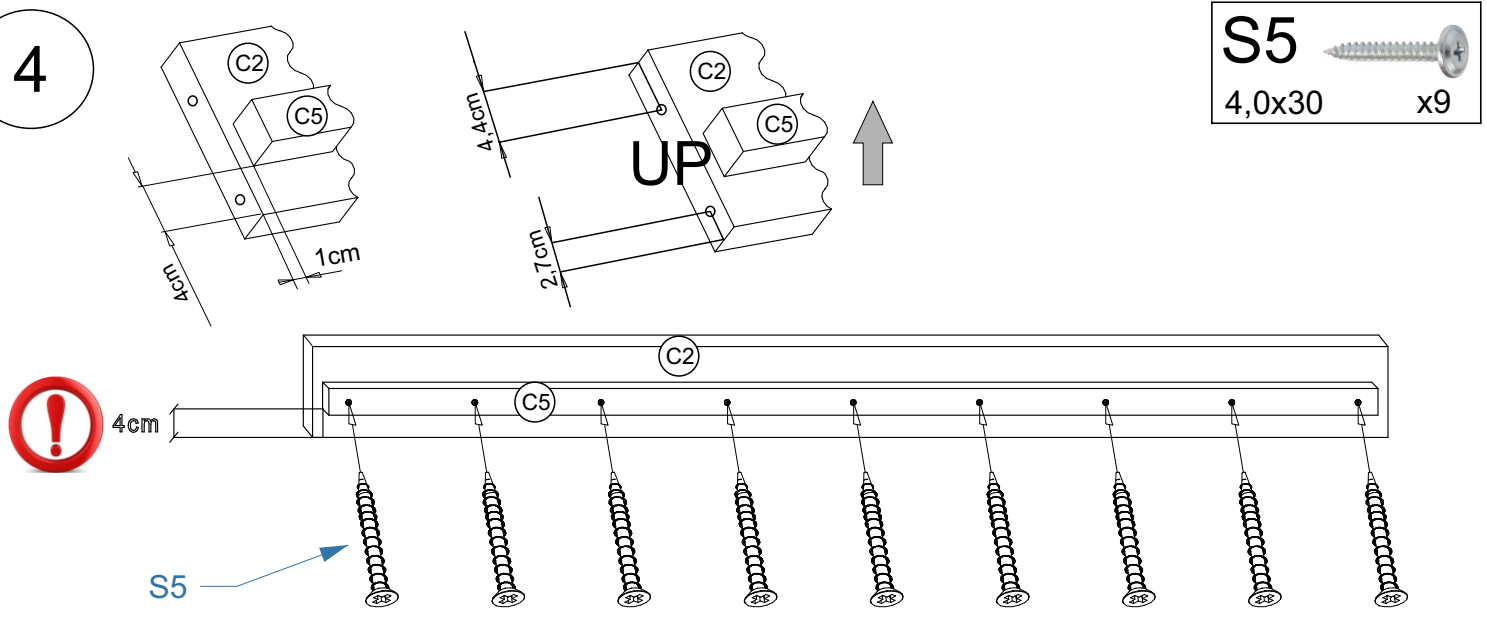
2



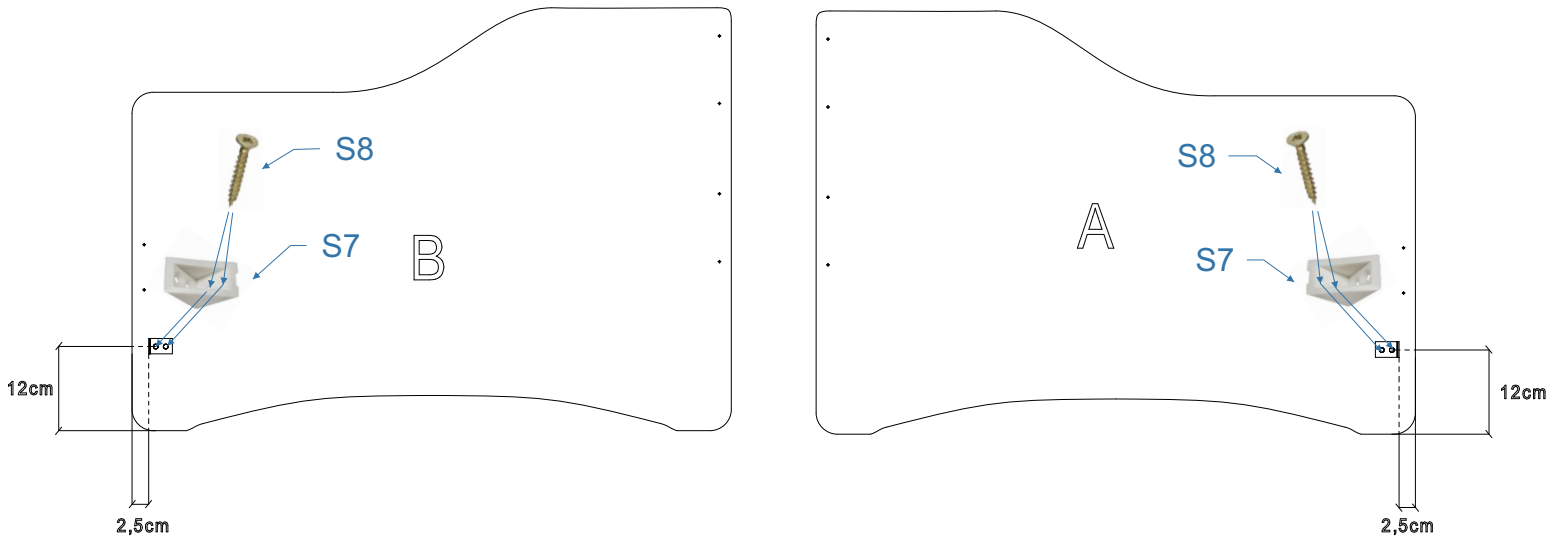
3



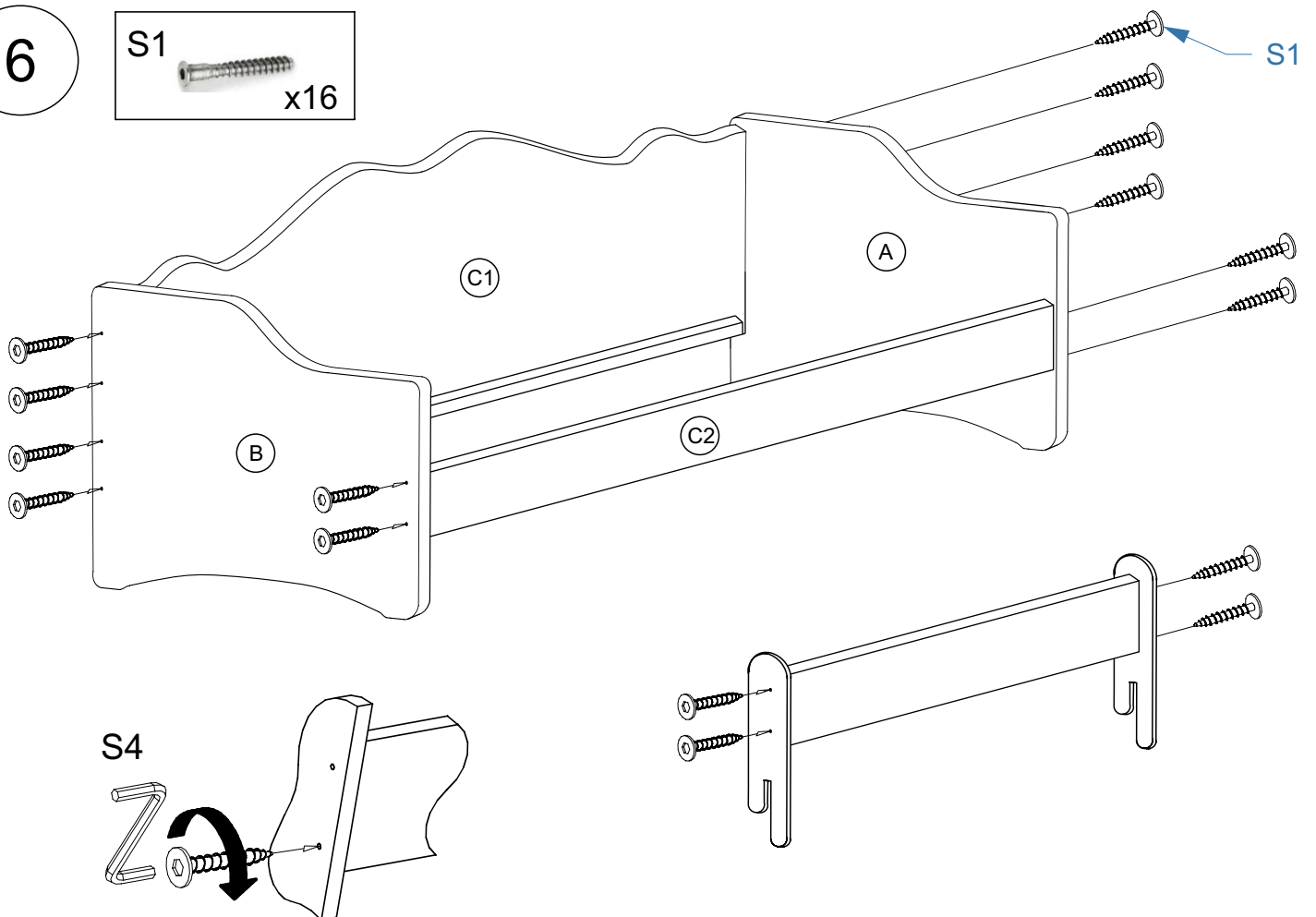
4



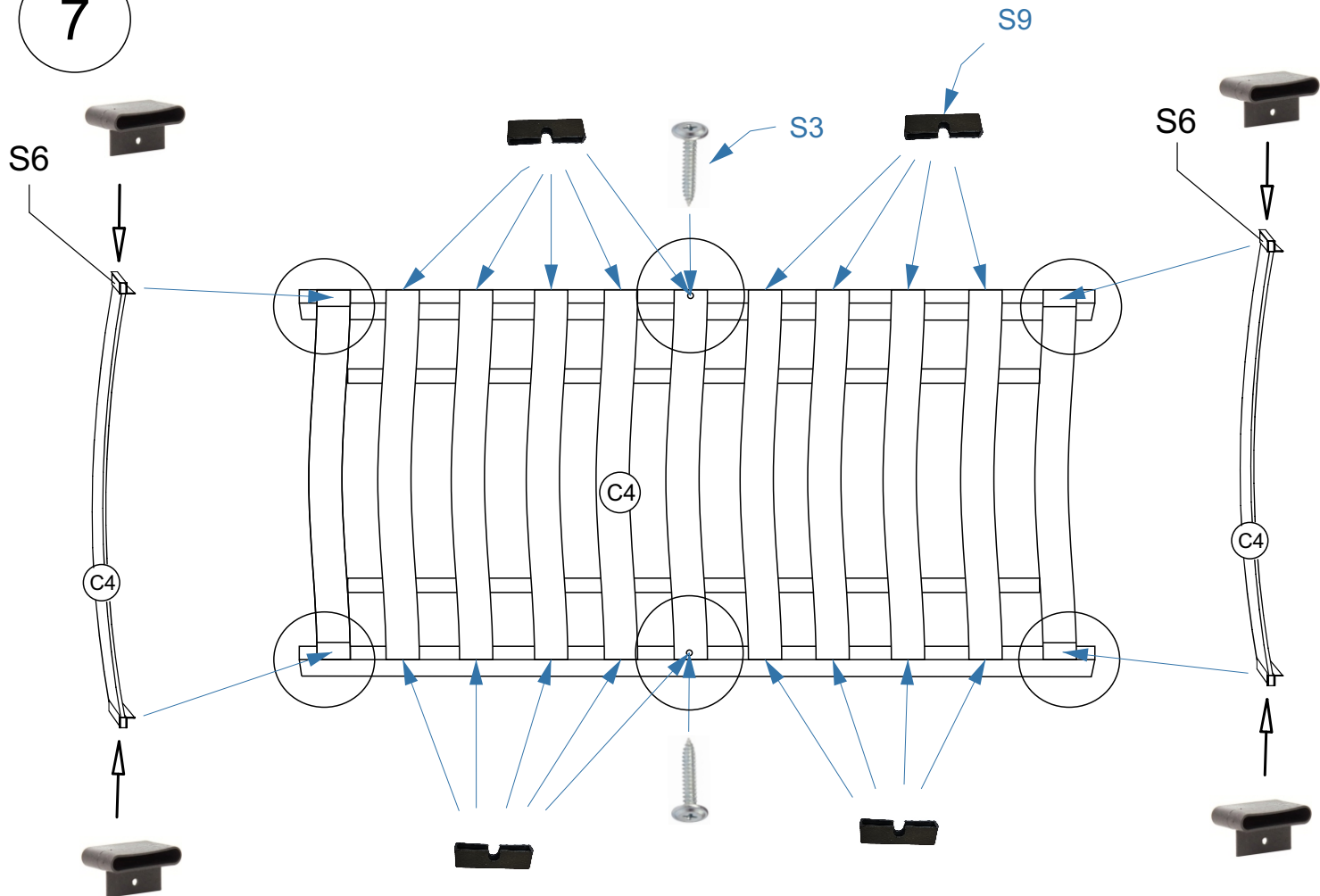
5



6

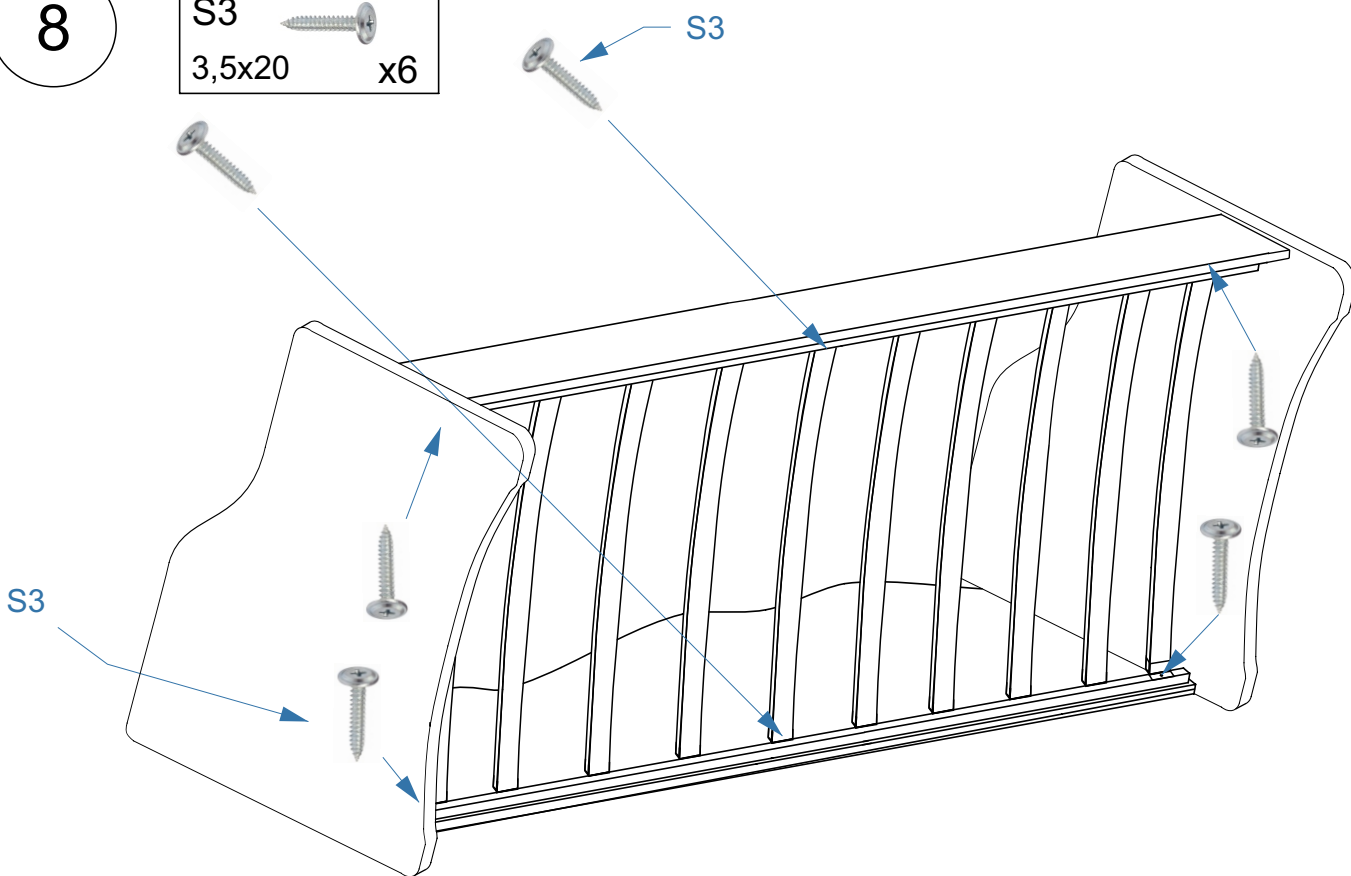


7











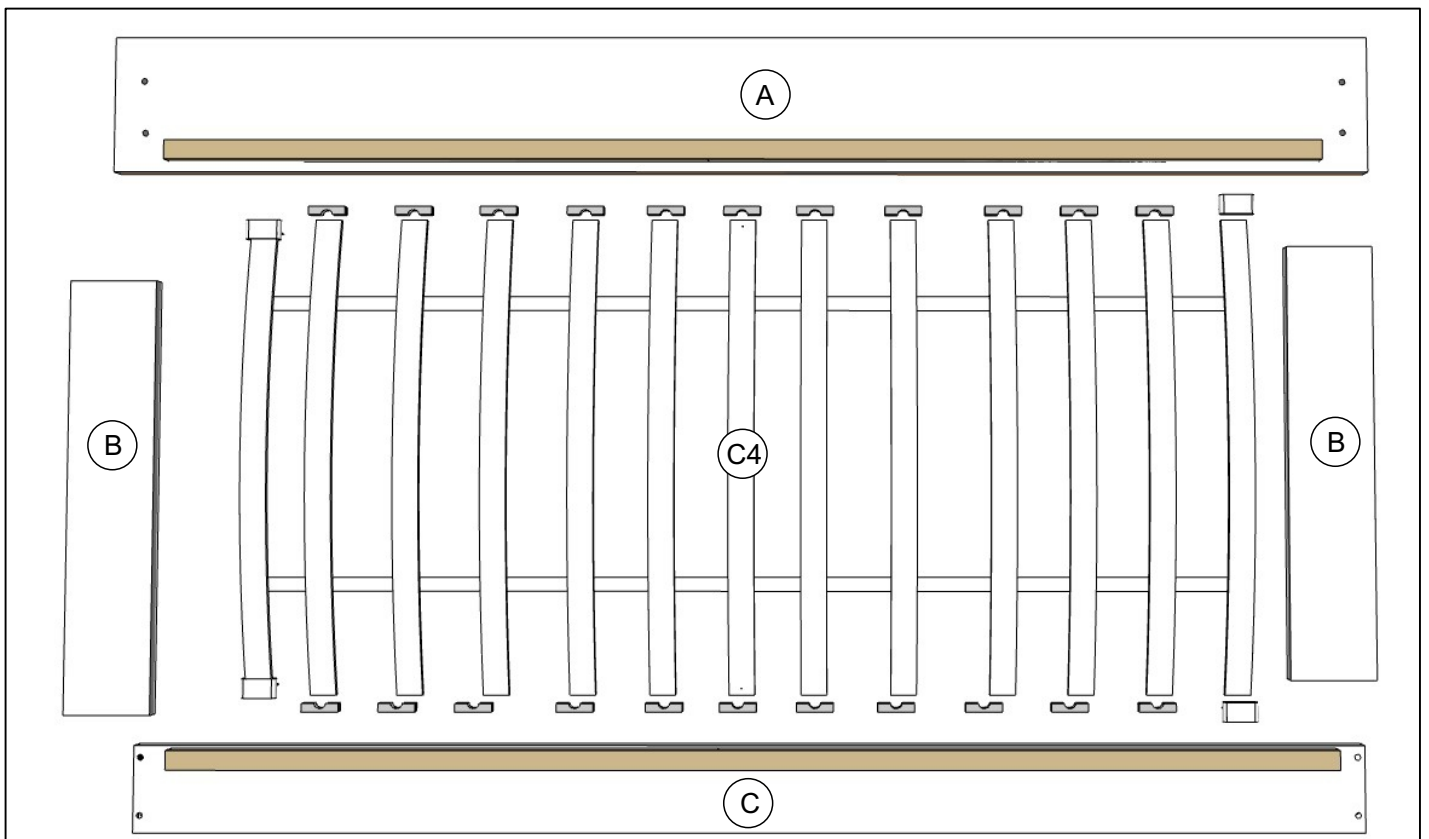
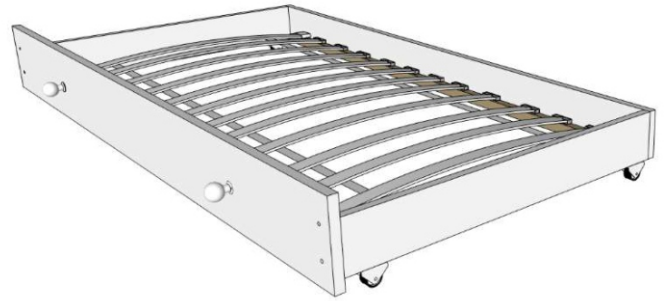
8

S3  
3,5x20 x6



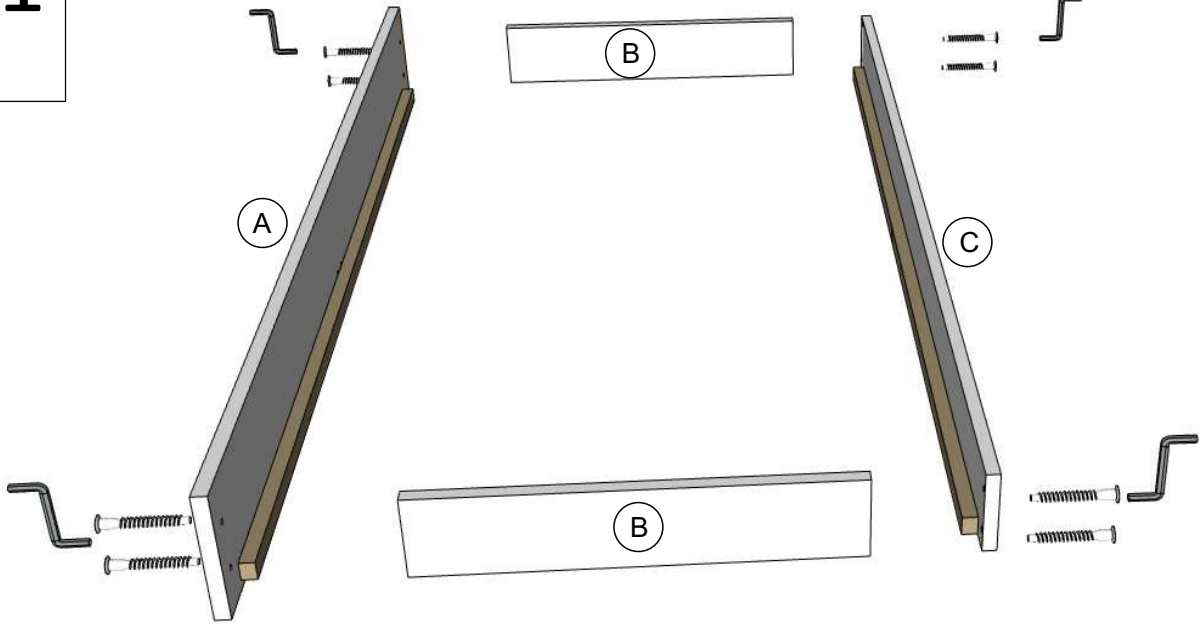
# SZII/14

|    |  |     |
|----|--|-----|
| S1 |   | 12x |
| S8 |   | 4x  |
| S3 |   | 14x |
| S4 |   | 1x  |
| S6 |   | X4  |
| S7 |   |     |
| S2 |   | 12x |
| S5 |  | 2x  |



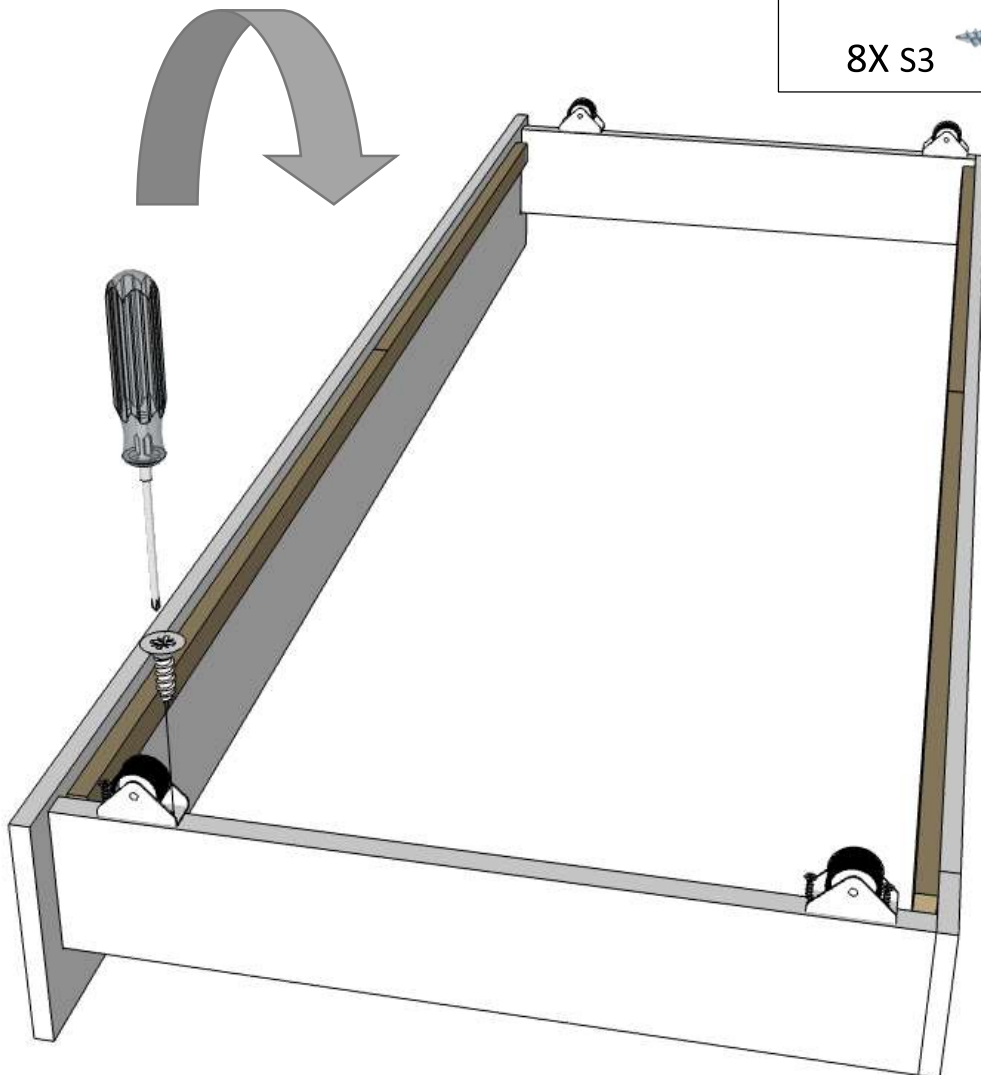
1

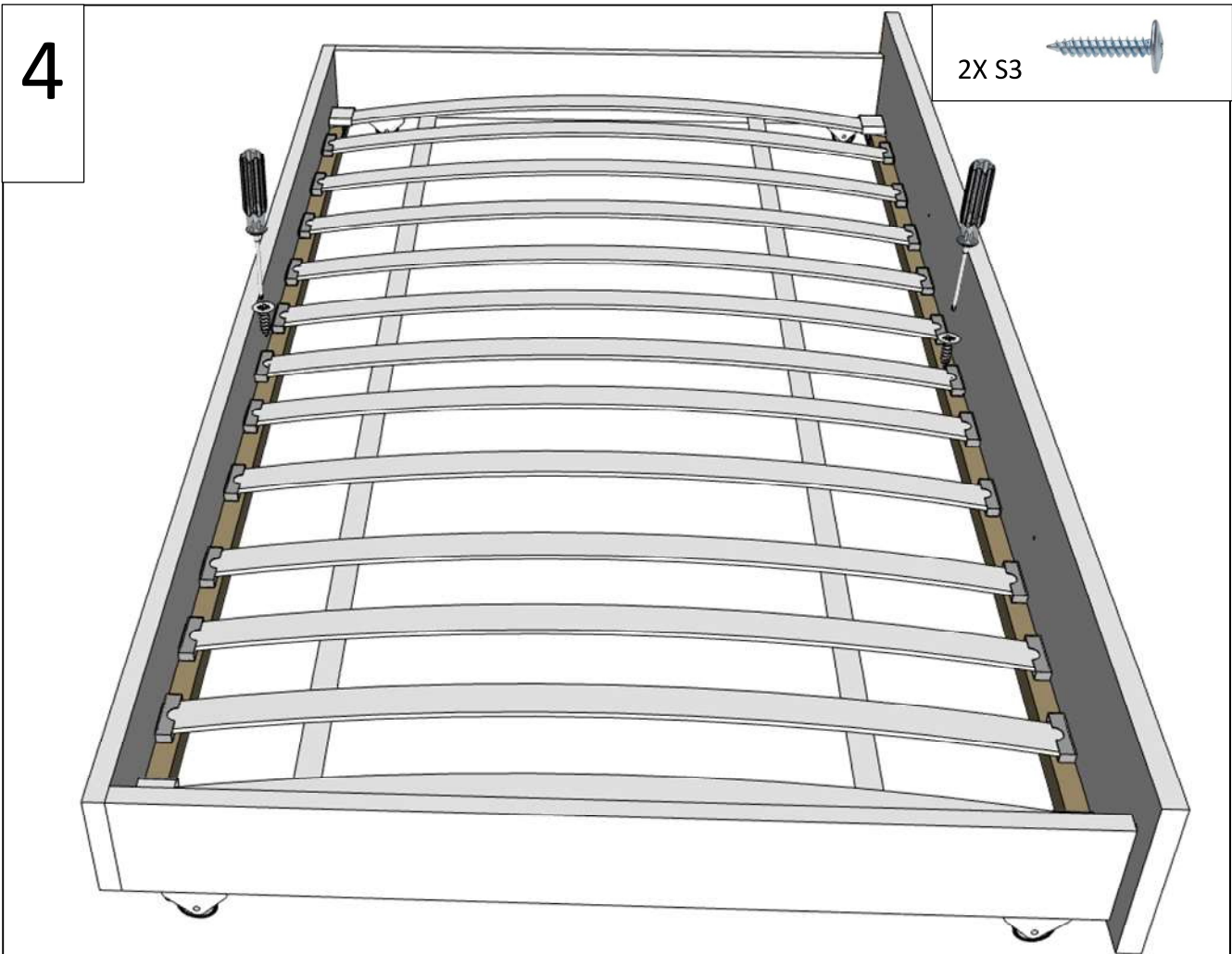
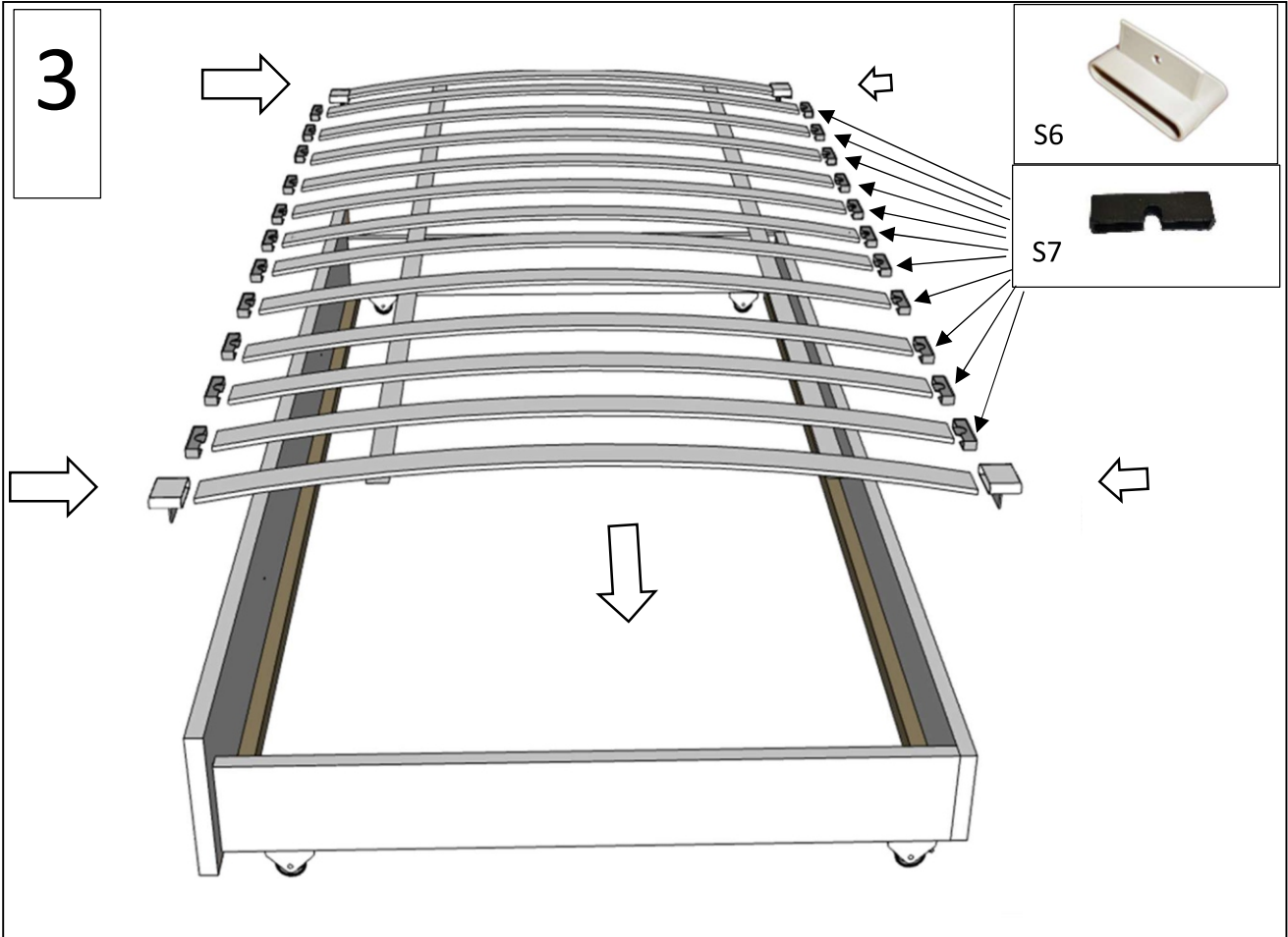
8X S1



2

8X S3







5

4x S3

