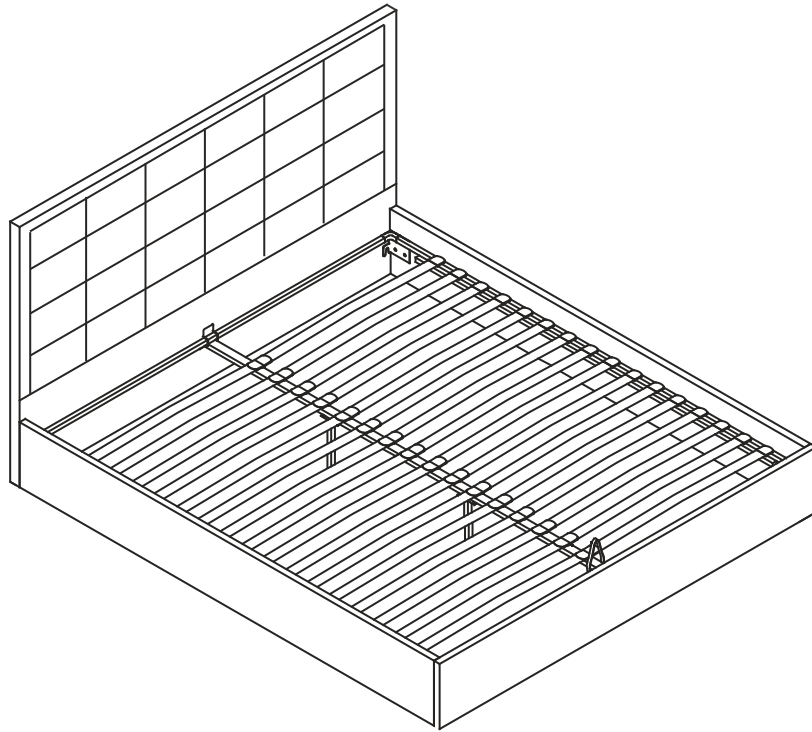











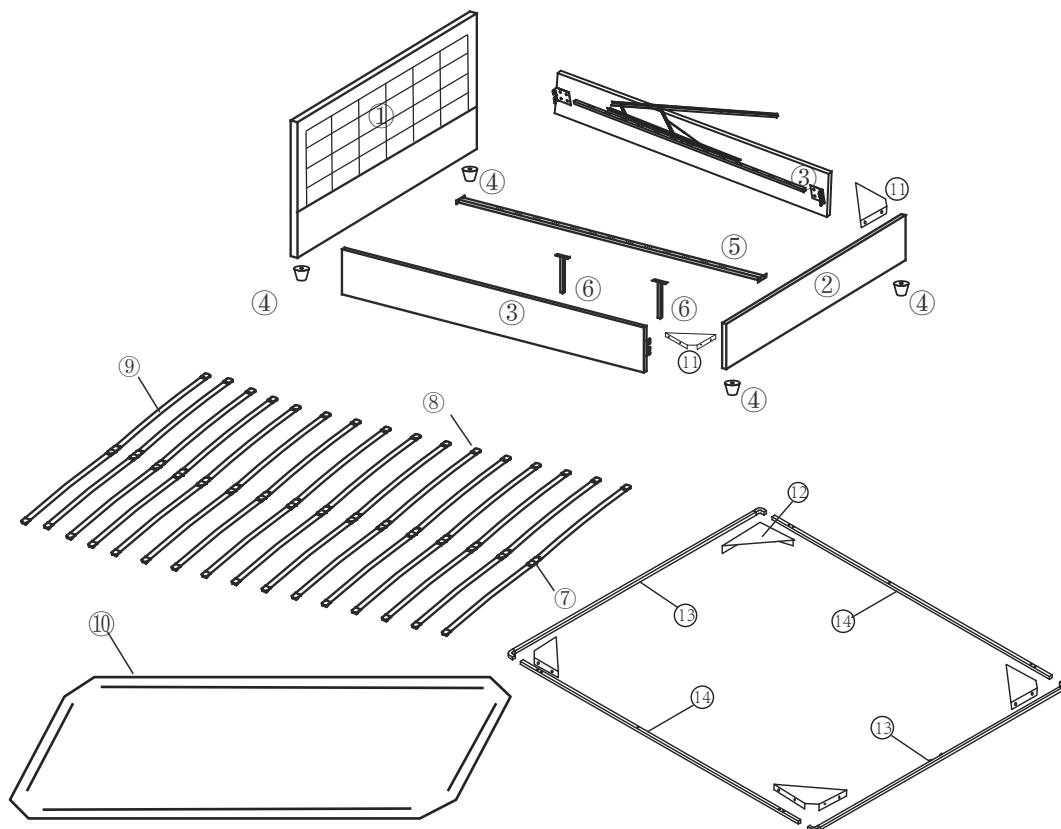






ELSIE

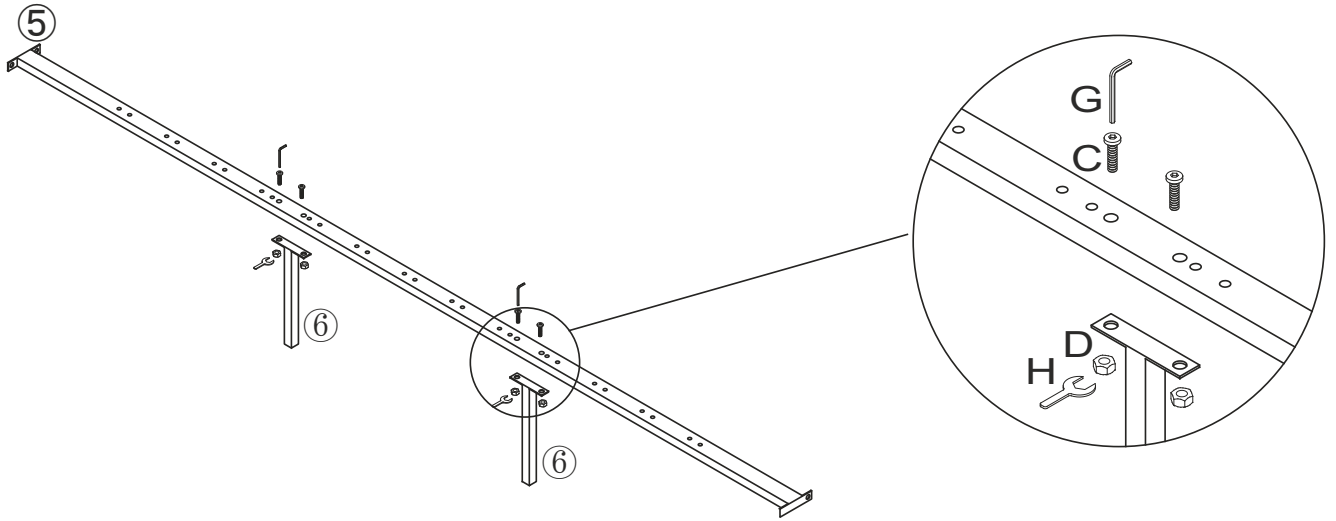


<p>Ax16 M8x30mm</p> 	<p>Bx4 M4x25mm</p> 	<p>Cx30 M8x40mm</p> 	<p>Dx30 M8</p> 	<p>Ex16</p> 	<p>Fx16</p> 	<p>Gx1</p> 
<p>Hx1</p> 	<p>Ix1</p> 	<p>Jx1</p> 	<p>Kx4</p> 			









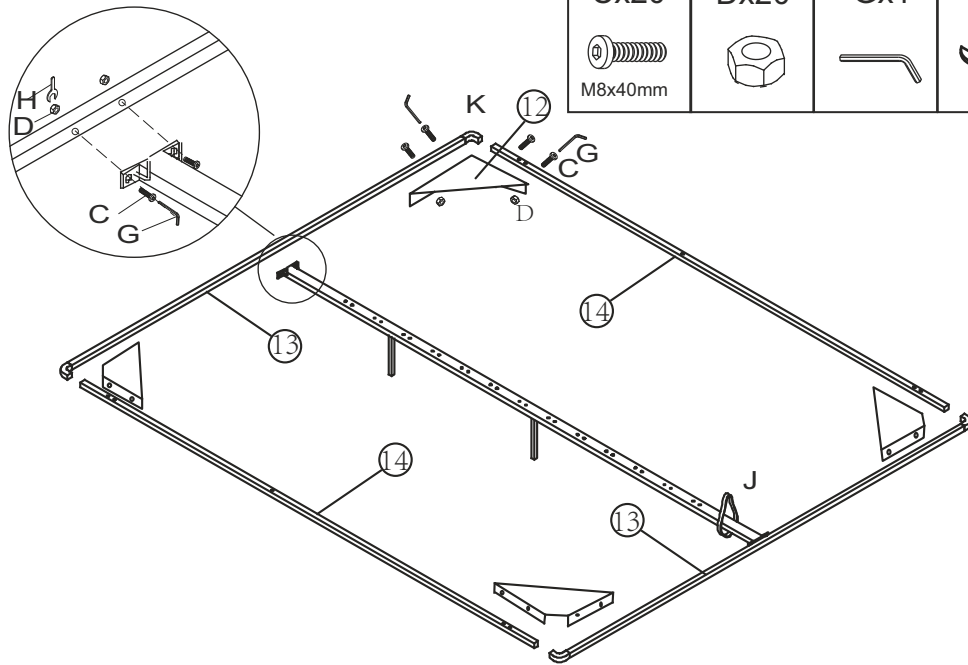
1

Cx4 M8x40mm	Dx4	Gx1	Hx1	
				

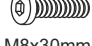






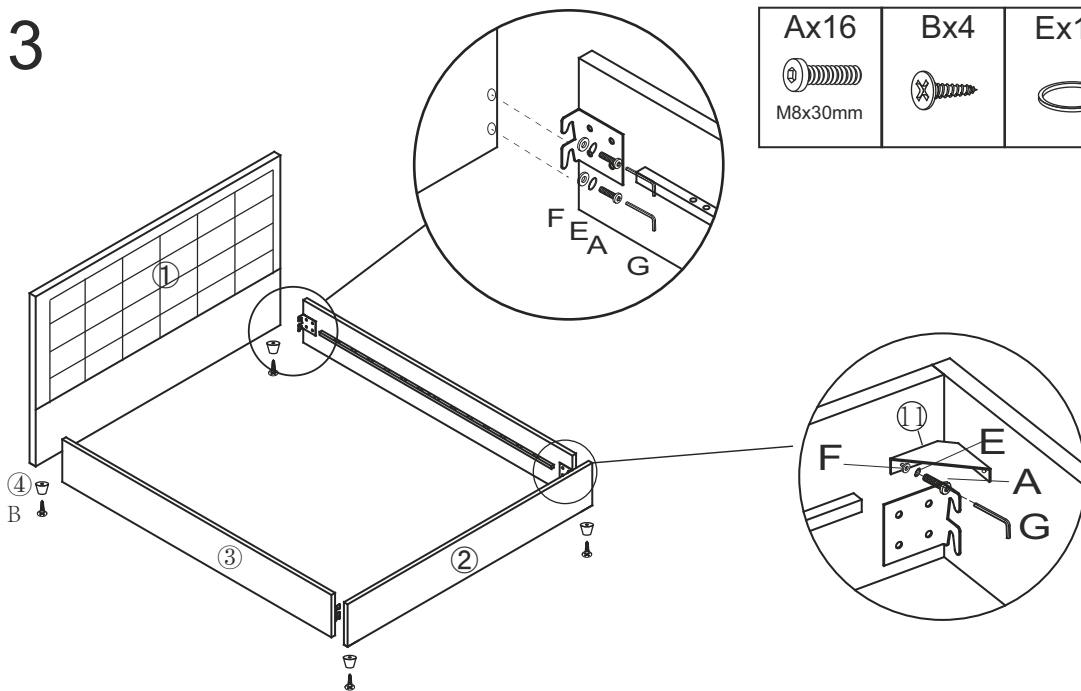
2

Cx20 M8x40mm	Dx20	Gx1	Hx1	Jx1	
					
				Kx4	

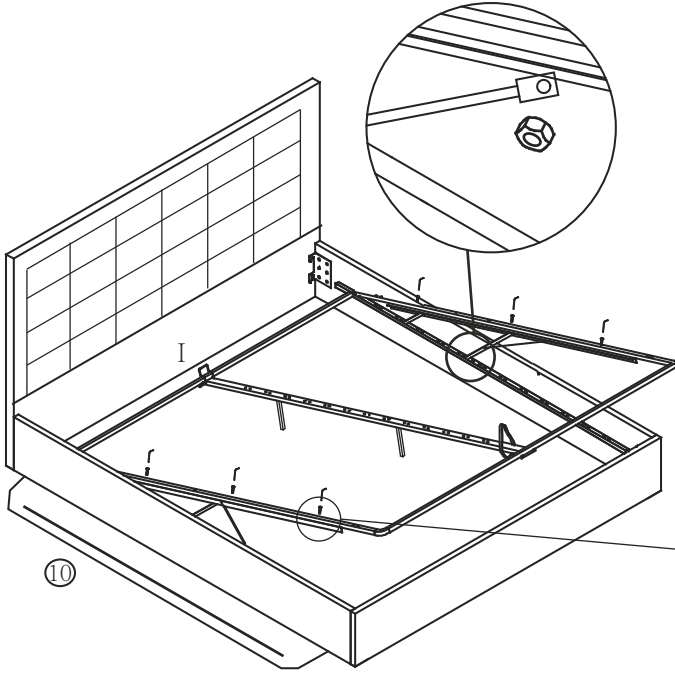


3

Ax16 M8x30mm	Bx4	Ex16	Fx16	Ix1	
					



4



Cx6 M8x40mm	Dx6	Gx1	Hx1	Ix1

5

7x16

	8x32	9x32		

