






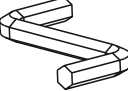
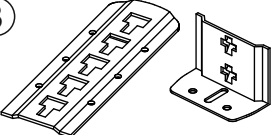
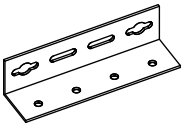
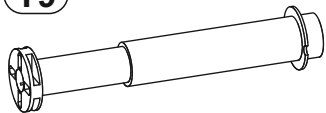

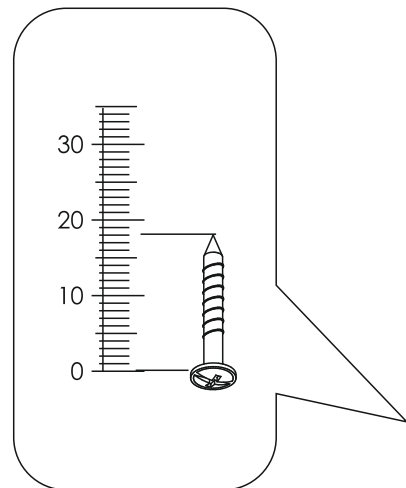
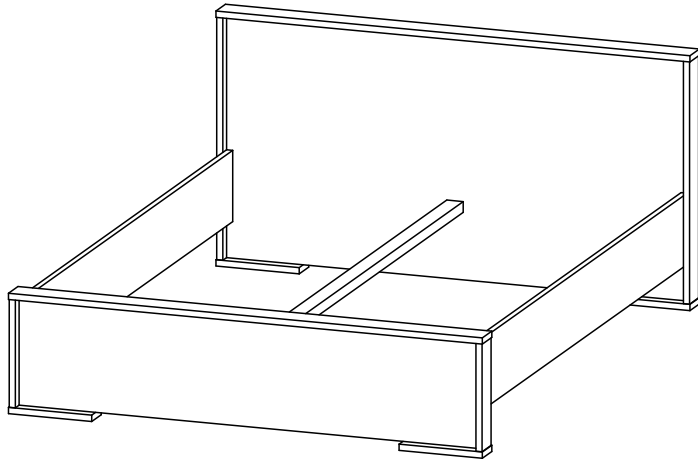

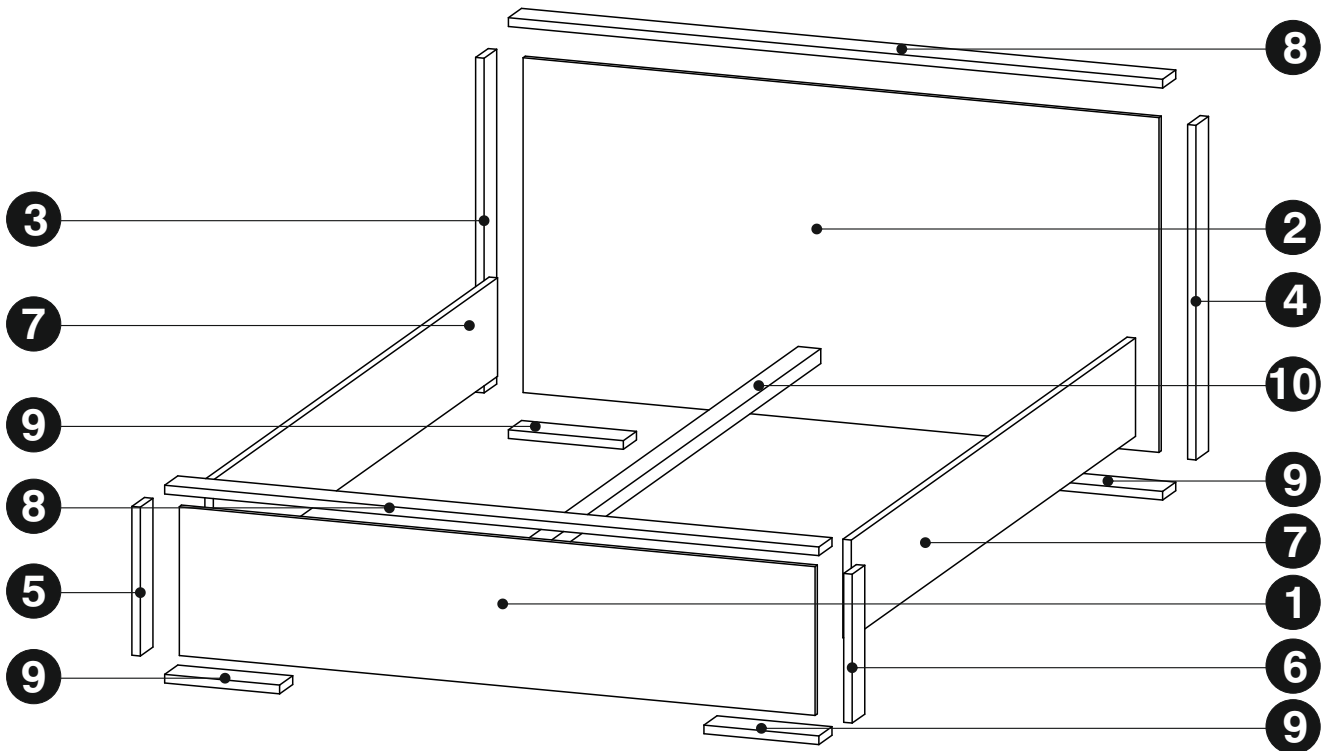


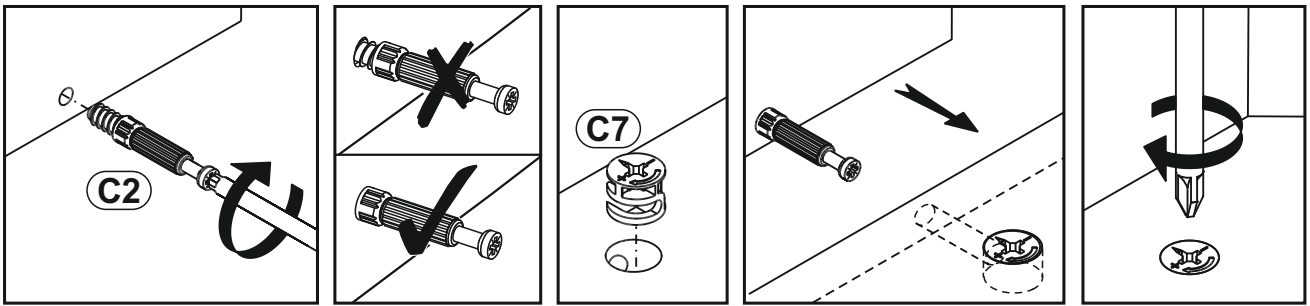
A0 8 x 30mm x38 	B1 7 x 50 mm x16 	C2 x12 
C7 16mm x12 	D10 4 x 16 mm x50 	D14 4 x 35 mm x8 
D30 EURO 6,3 x 13 mm x32 	K 4mm x1 	P3 x8 
P8 x4 	T9 x2 	U2 x8 



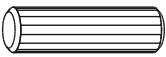

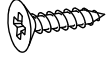
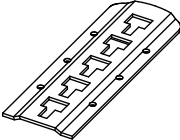


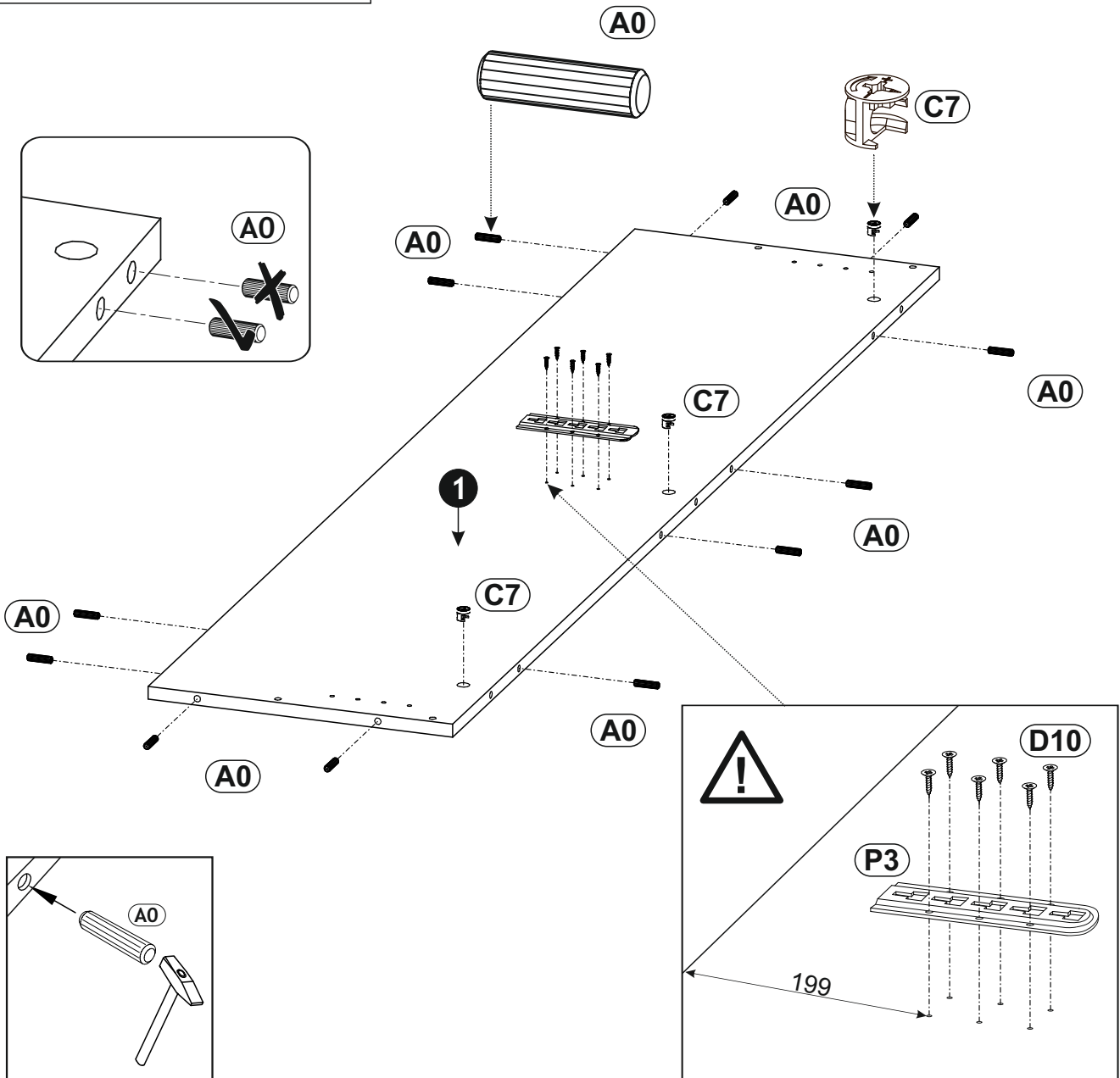
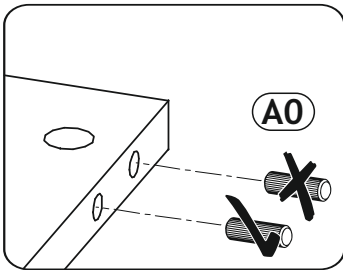
1	1660	378	16	x1	2/2
2	1660	850	16	x1	2/2
3	850	90	22	x1	1/2
4	850	90	22	x1	1/2
5	378	90	22	x1	1/2
6	378	90	22	x1	1/2
7	2039	250	22	x2	1/2
8	1708	94	22	x2	1/2
9	300	94	22	x4	1/2
10	2023	59	38	x1	1/2
					1/2





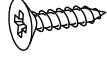
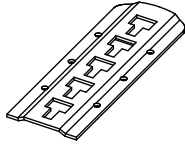


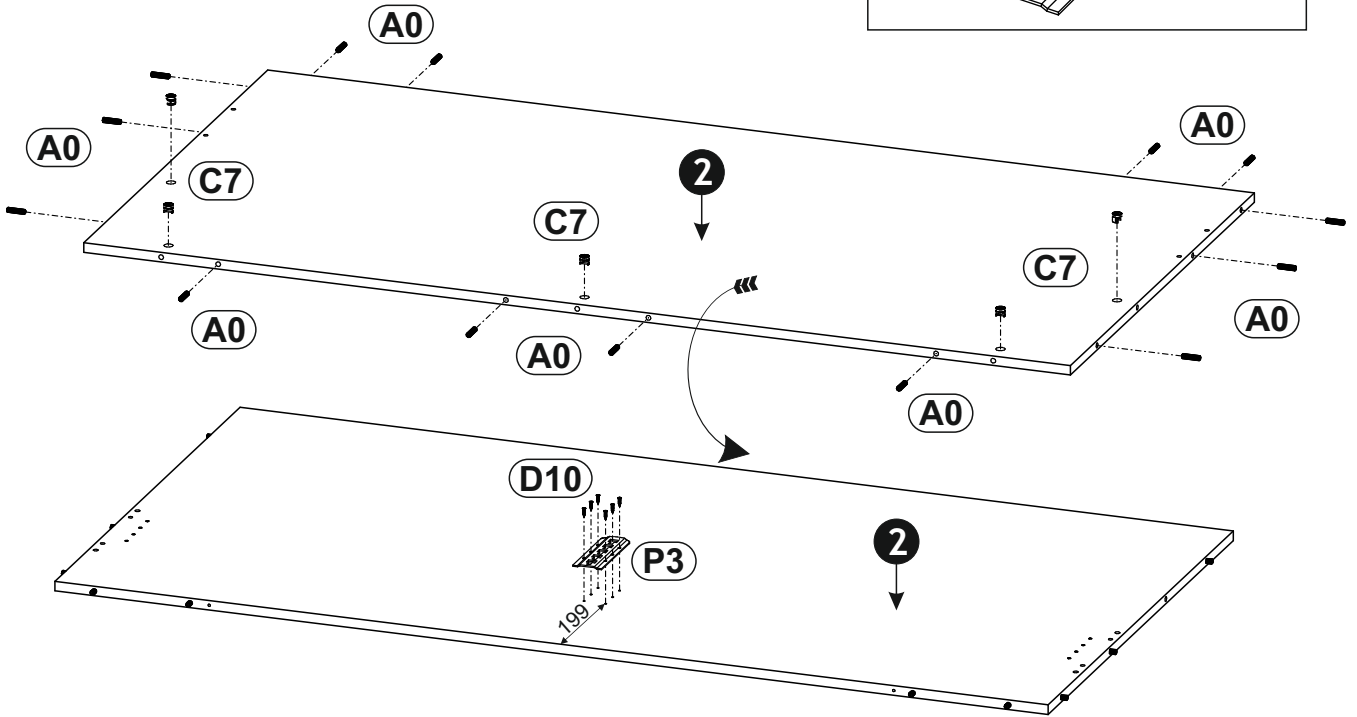
1 ▶

<p>(A0) 8 x 30mm x12</p> 	<p>(C7) 16mm x3</p> 	<p>(D10) 4 x 16 mm x6</p> 
<p>(P3) x1</p> 		

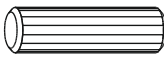
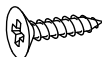

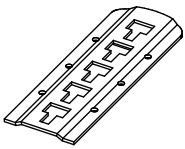
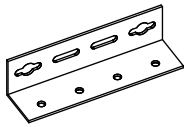


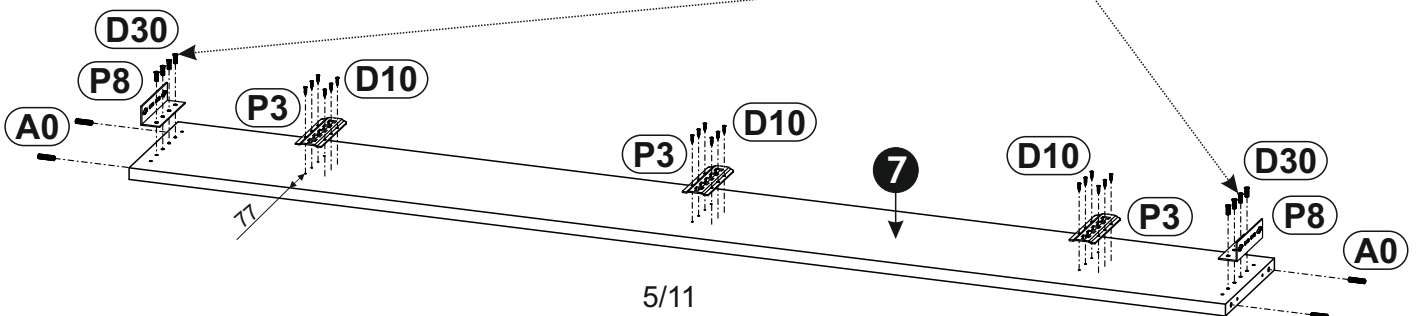
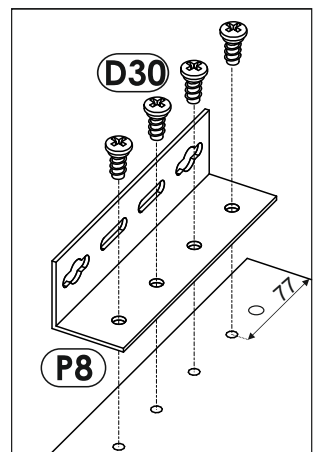
2 ▶

A0 8 x 30mm x14 	C7 16mm x5 	D10 4 x 16 mm x6 
		P3  x1

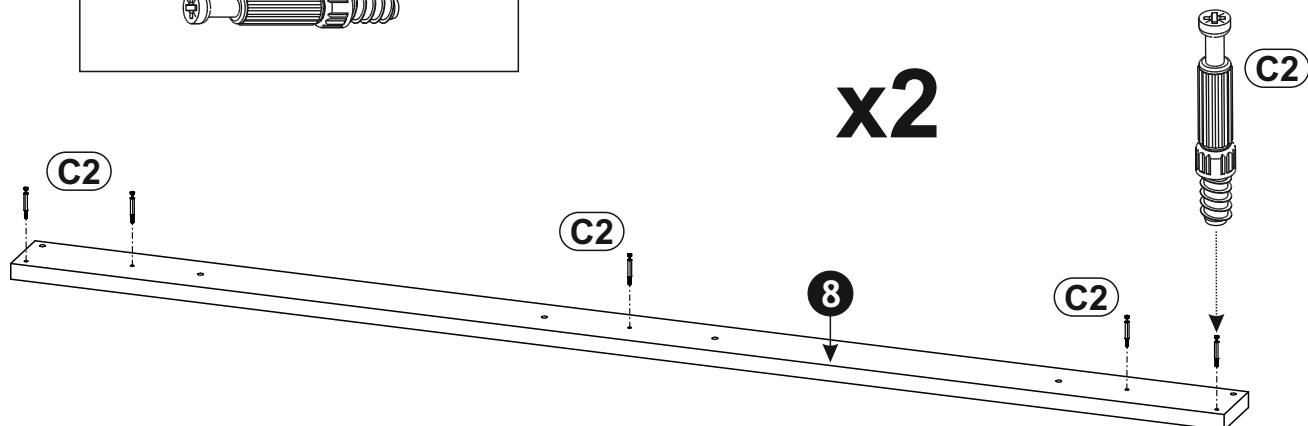
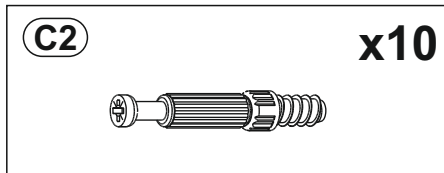


3 ▶

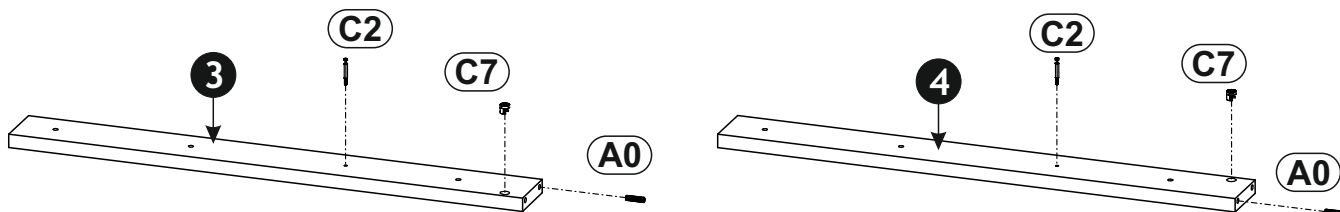
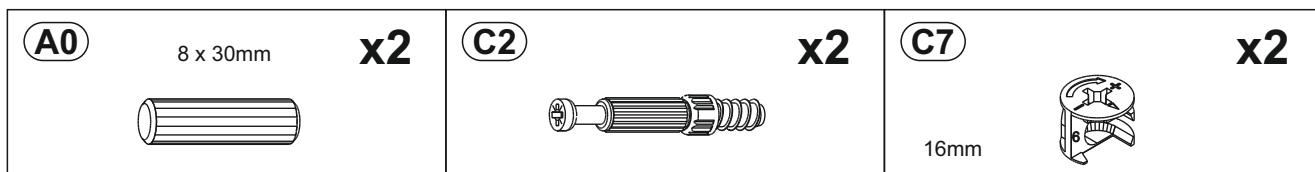
A0 8 x 30mm x8 	D10 4 x 16 mm x36 
D30 EURO 6,3 x 13 mm x16 	P3  x6
P8  x4	x2



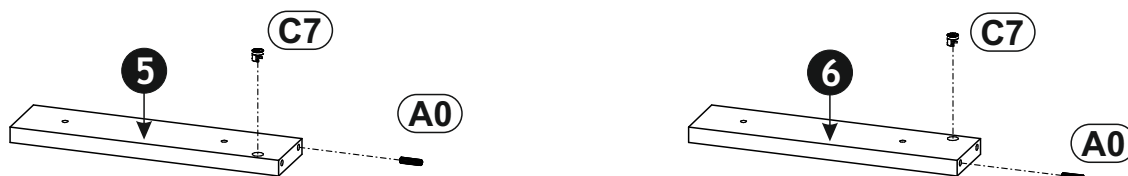
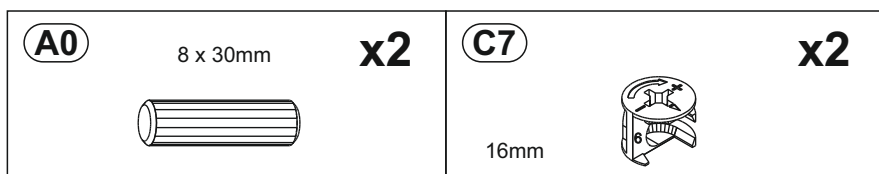
4



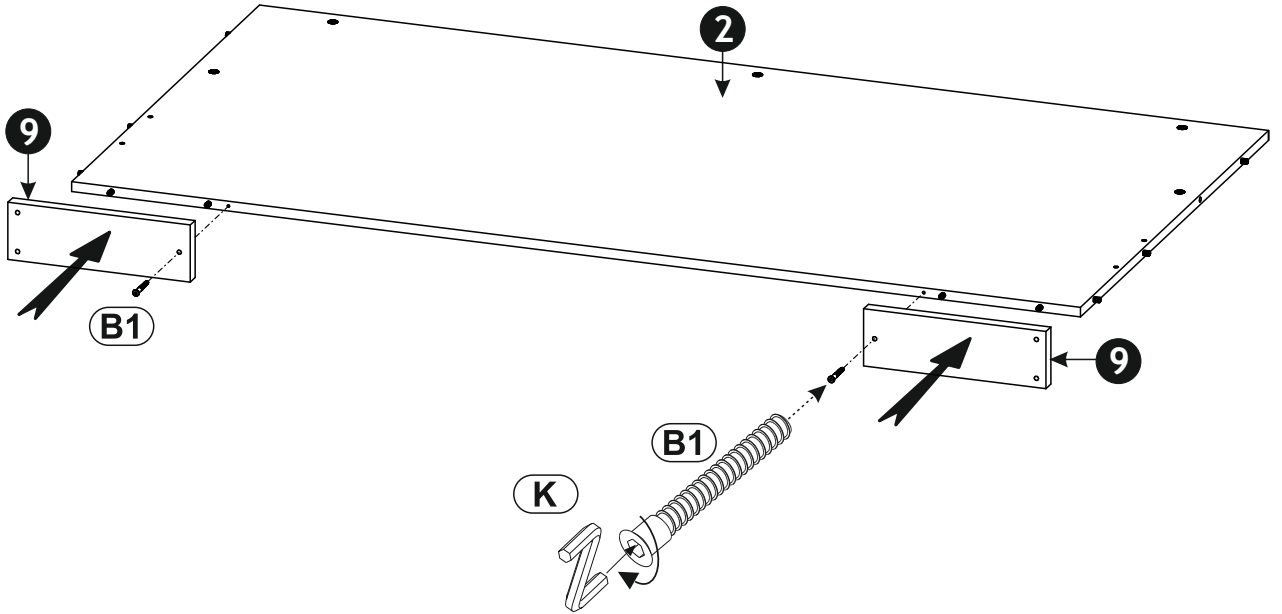
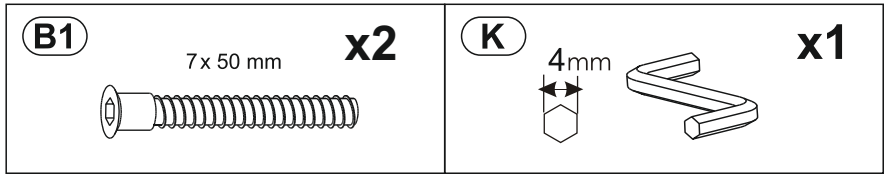
5



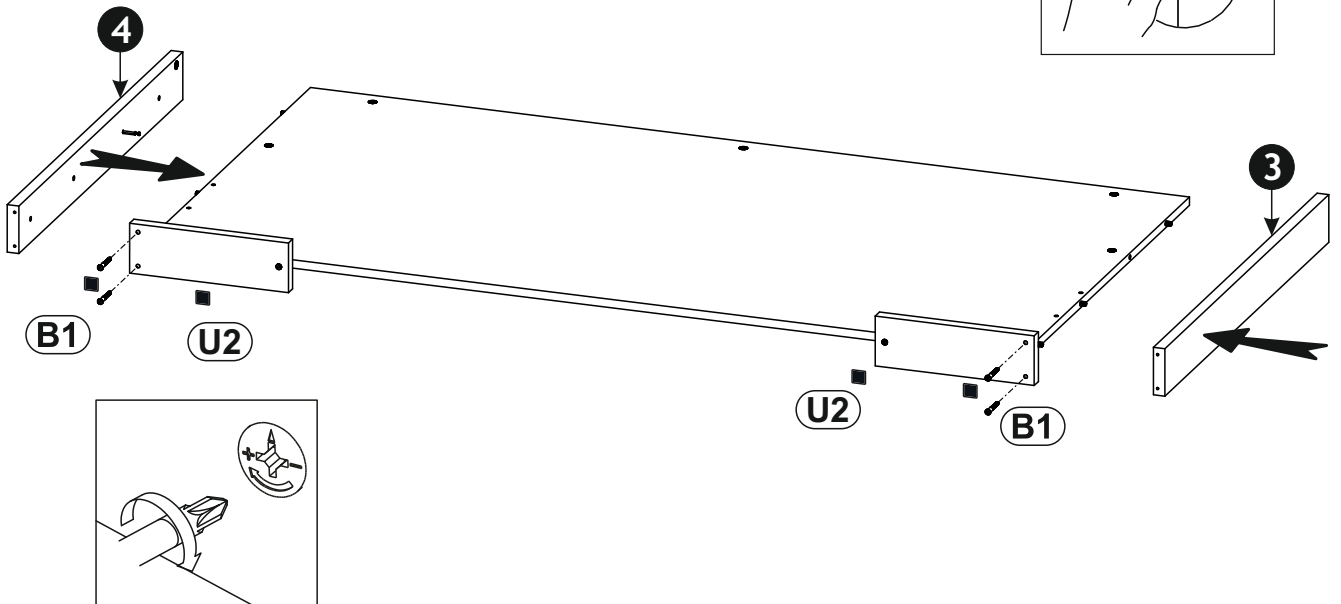
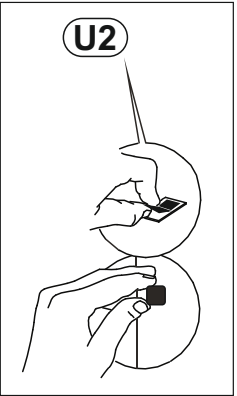
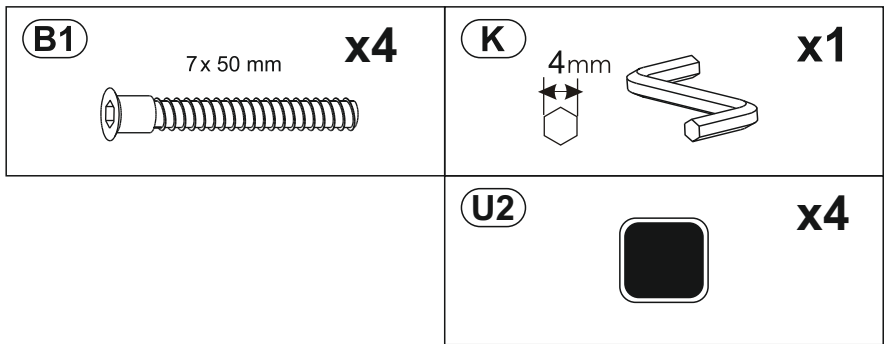
6



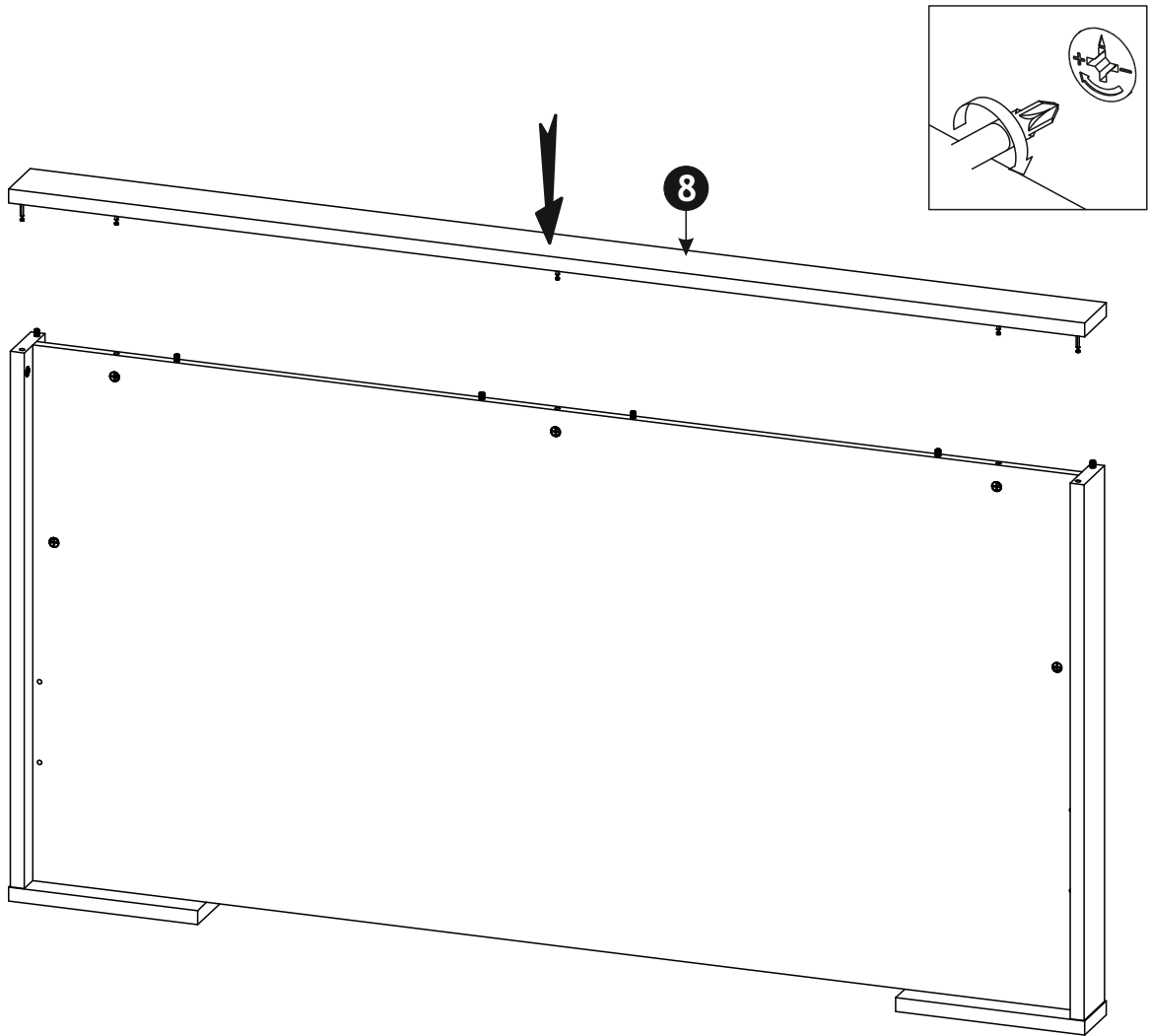
7



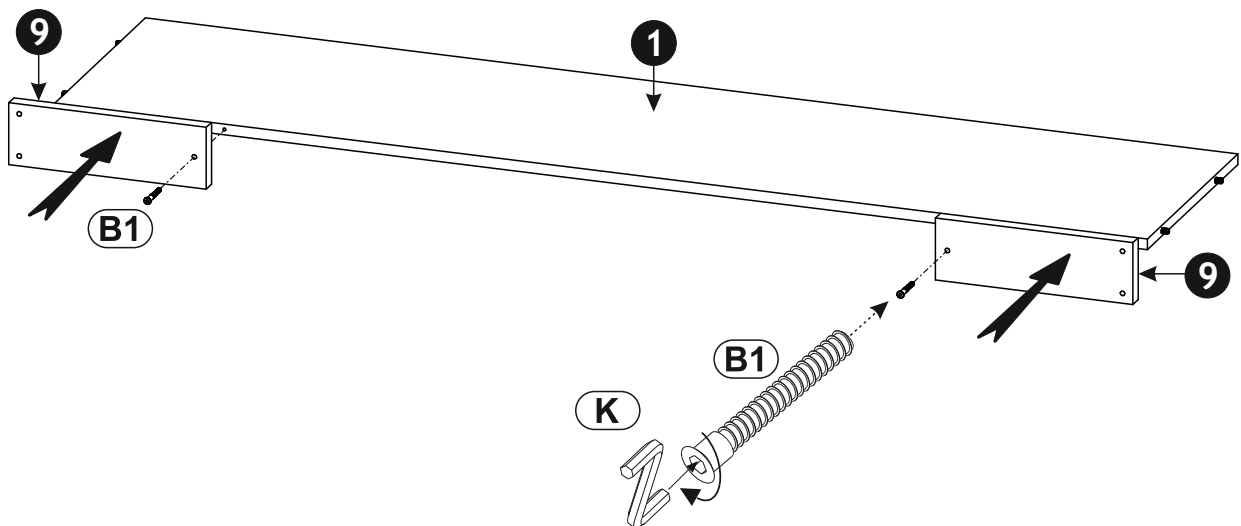
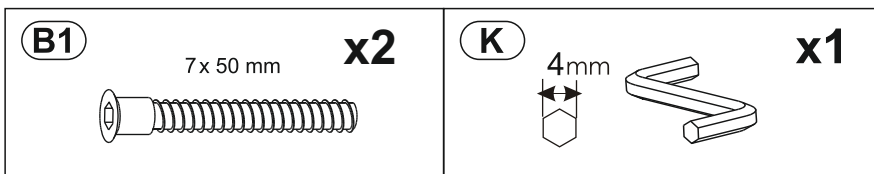
8




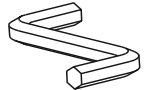

9 ▶

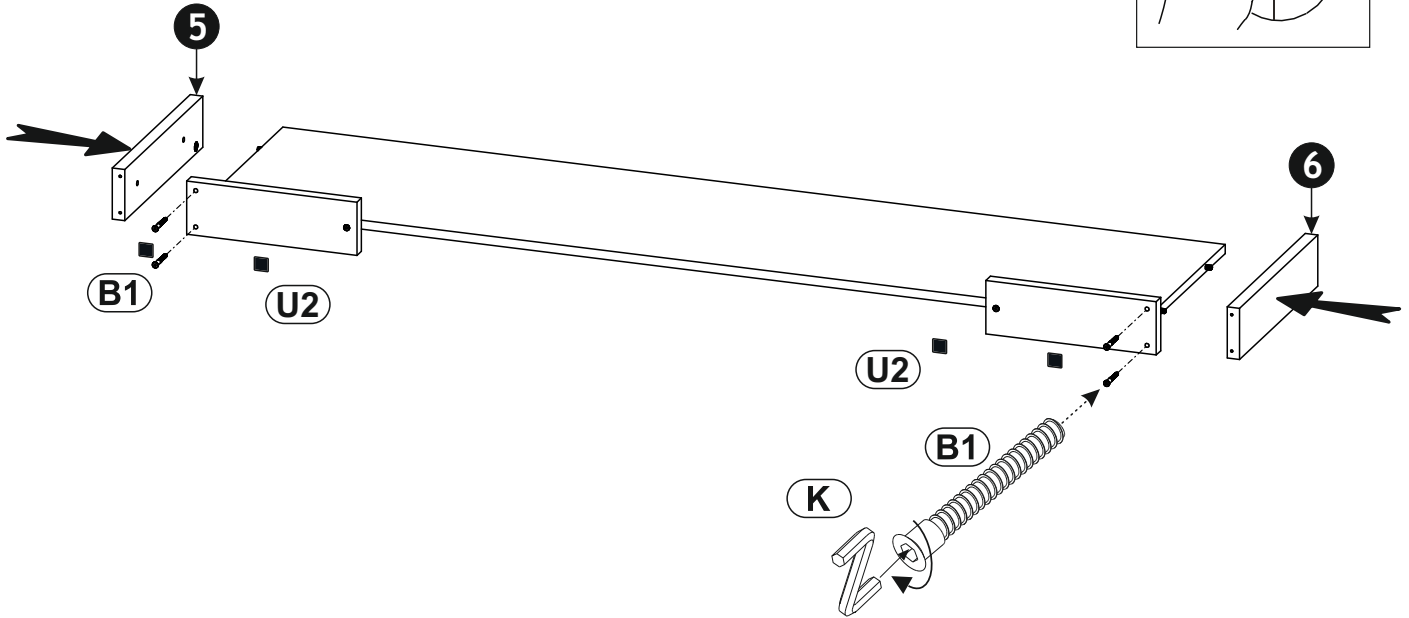
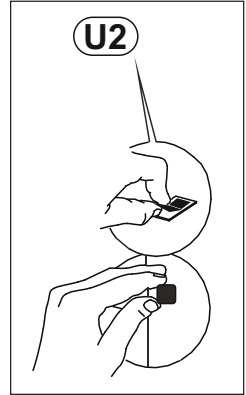


10 ▶

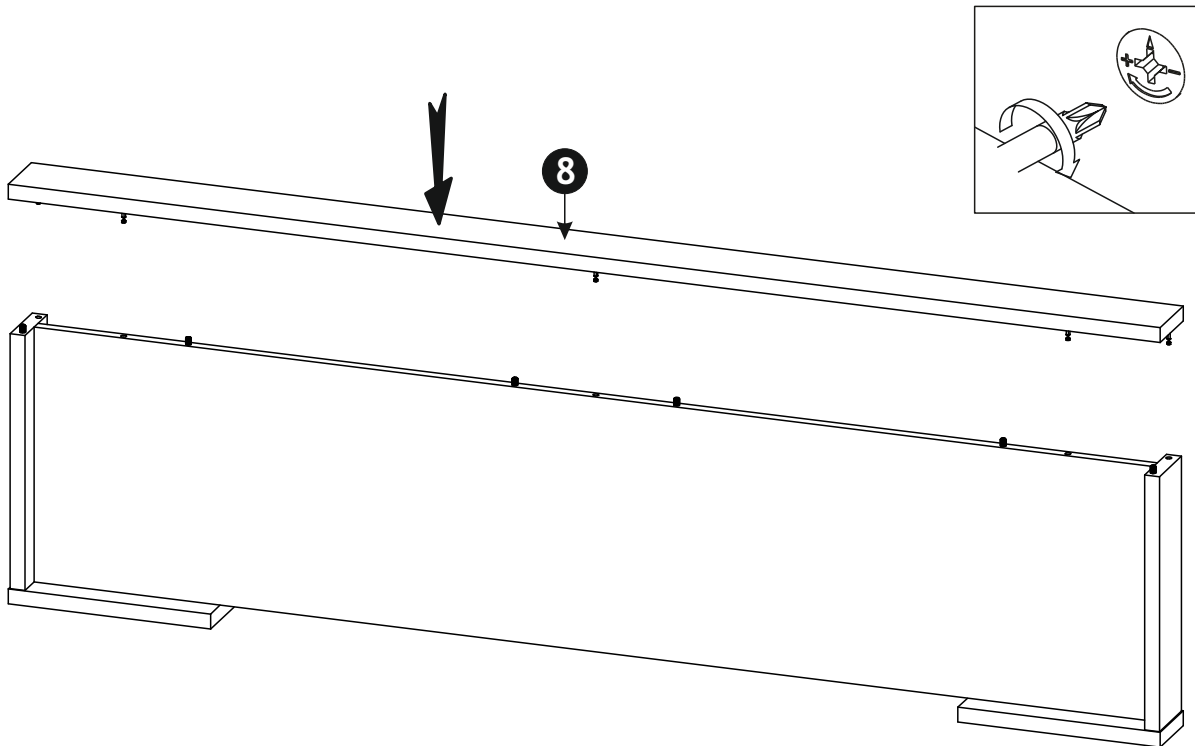


11 ▶

(B1) 7 x 50 mm x4 	(K) 4mm x1 
(U2) x4 	

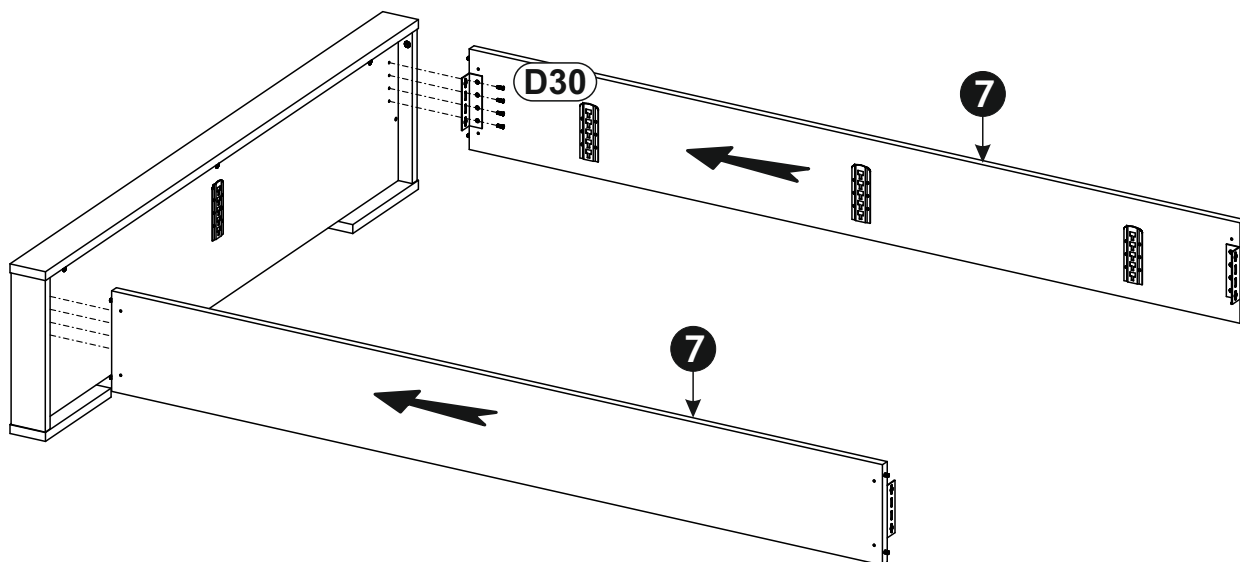


12 ▶



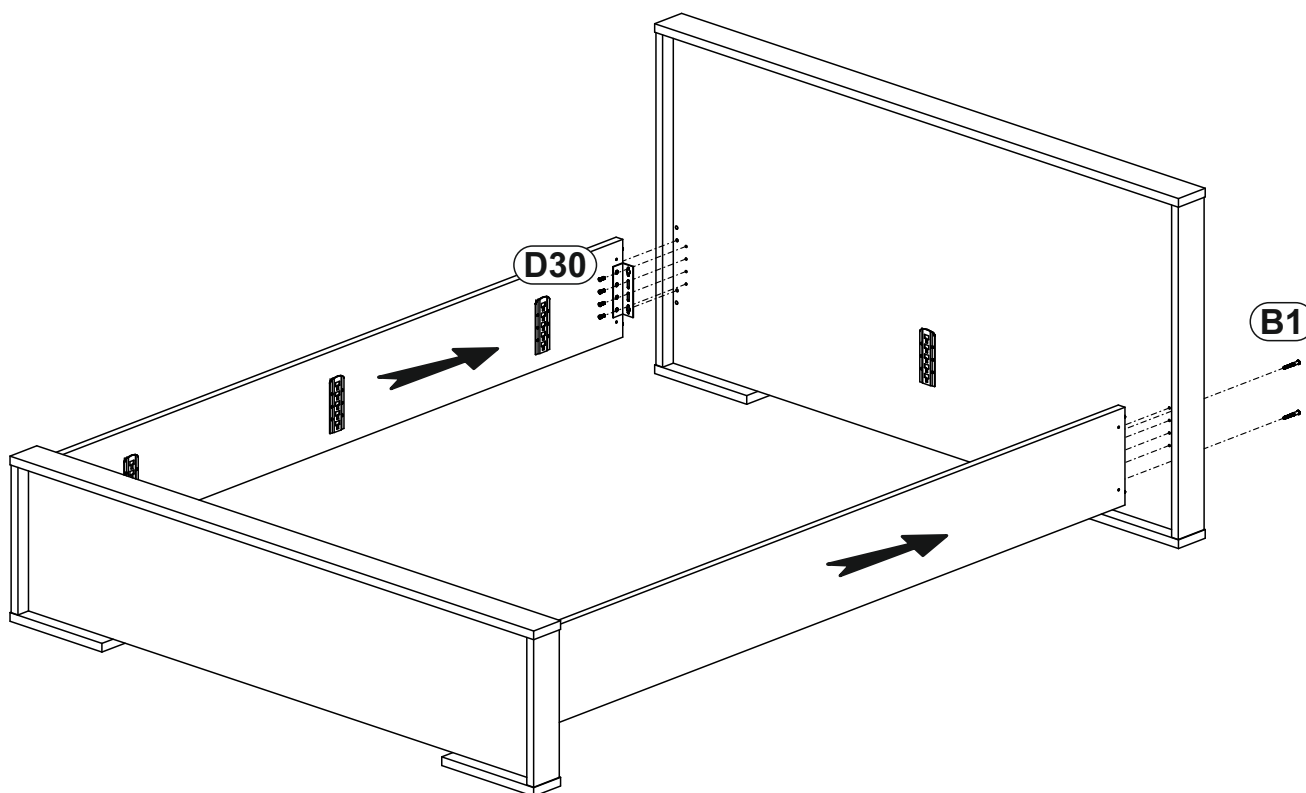
13 ▶

D30	EURO 6,3 x 13 mm	x8
		

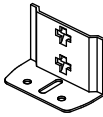
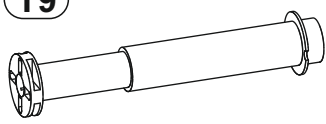


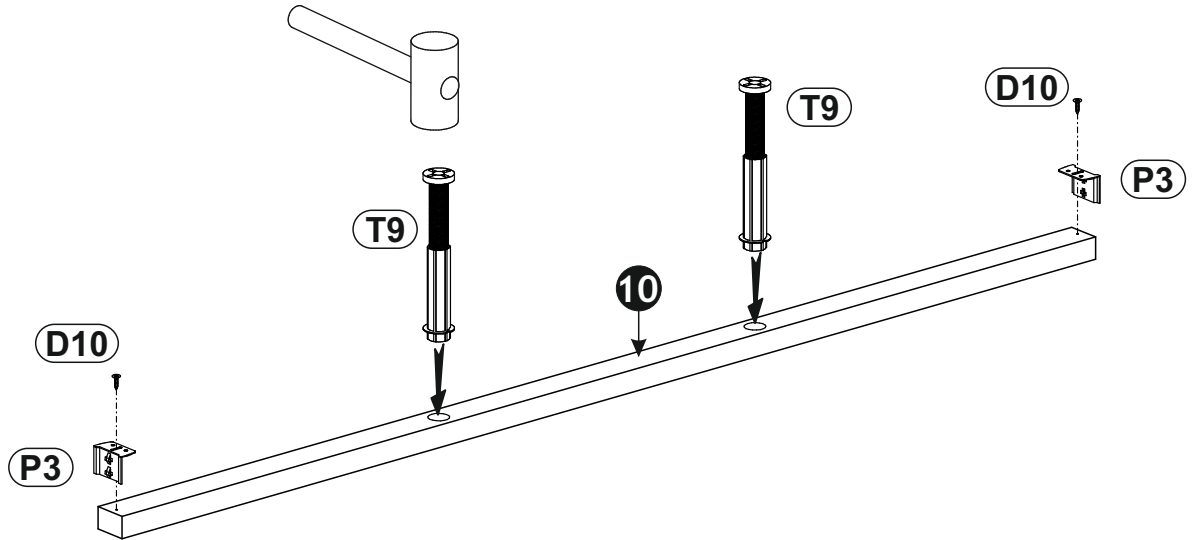
14 ▶

B1	7 x 50 mm	x4	D30	EURO 6,3 x 13 mm	x8	K	4mm	x1
								

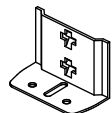


15 ▶

D10	4 x 16 mm	x2	P3		x2	T9		x2
------------	-----------	-----------	-----------	---	-----------	-----------	---	-----------



16 ▶

P3		x6
D14	4 x 35 mm	x8

