

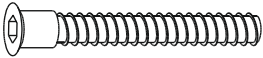

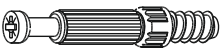


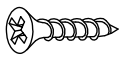




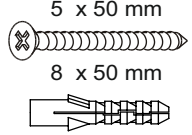

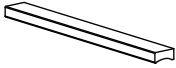
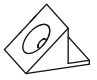

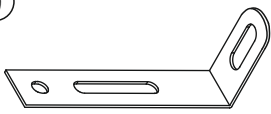


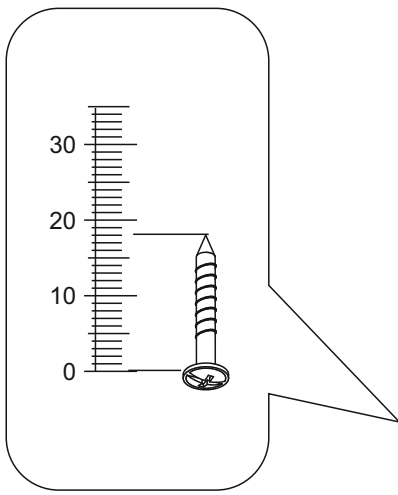
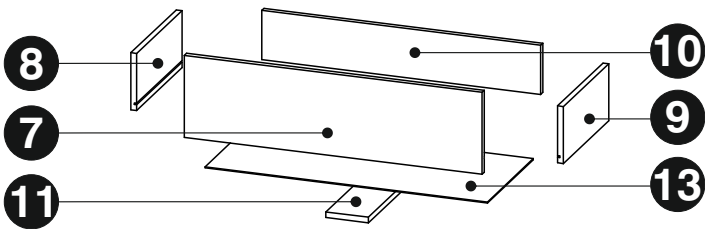
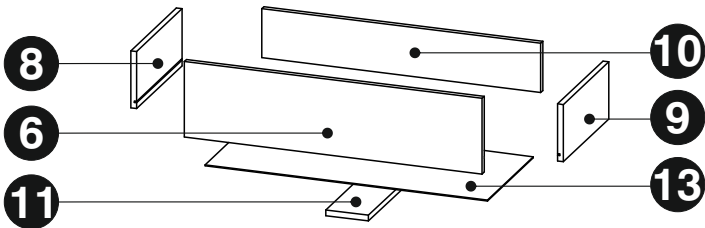
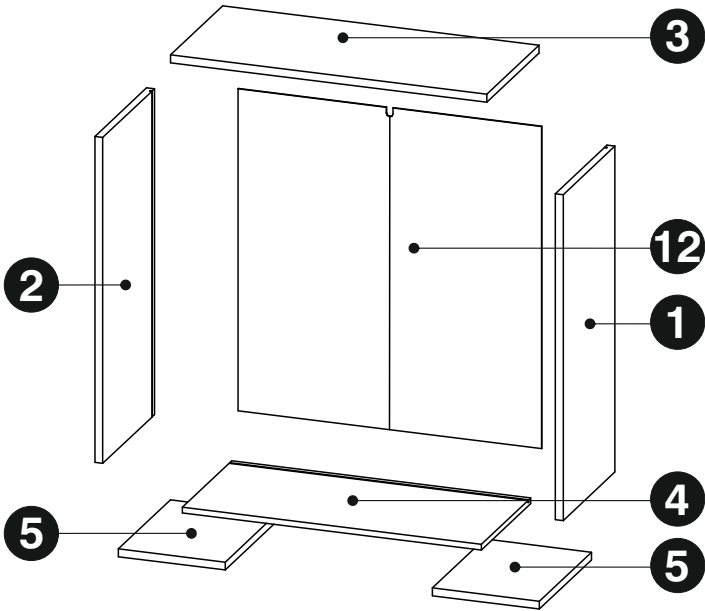


A0 8 x 30mm x48 	B0  x8	B1 7 x 50 mm x12 
C0  x16	C2  x24	C7 16mm  x24
D0 3 x 15 mm x32 	D5 3,5 x 16 mm x2 	D13 4 x 30 mm x8 
D16 4,2 x 28 mm x8 	D21 5 x 13 mm x56 	D26 5 x 33 mm x8 
E0 5 x 50 mm 8 x 50 mm x1 	K 4mm x1 	L24 x4 
M1 x32 	N7 L-350 x4 	P0 x1 
T8 x24 	U2 x8 	



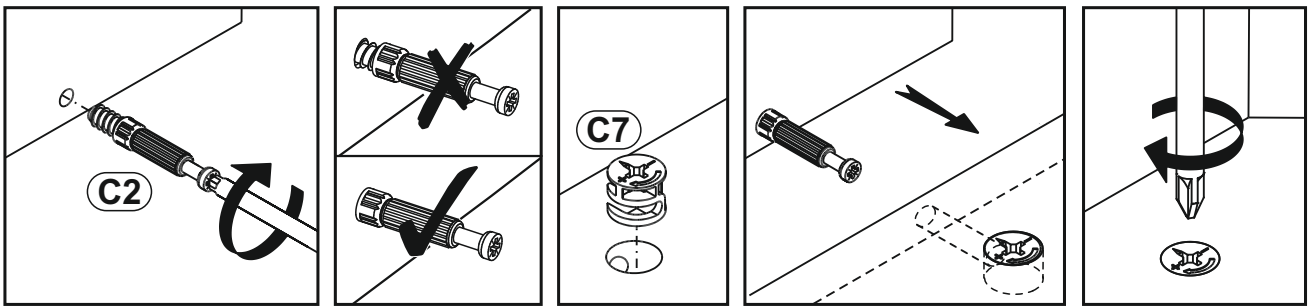


x3




1	914	398	22	x1	2/3
2	914	398	22	x1	2/3
3	887	401	22	x1	1/3
4	839	380	16	x1	2/3
5	402	300	22	x2	1/3
6	835	212	16	x1	3/3
7	835	230	16	x3	3/3
8	350	160	16	x4	2/3
9	350	160	16	x4	2/3
10	782	138	16	x4	1/3
11	349	120	16	x4	1/3
12	908	848	3	x1	2/3
13	355	792	3	x4	1/3




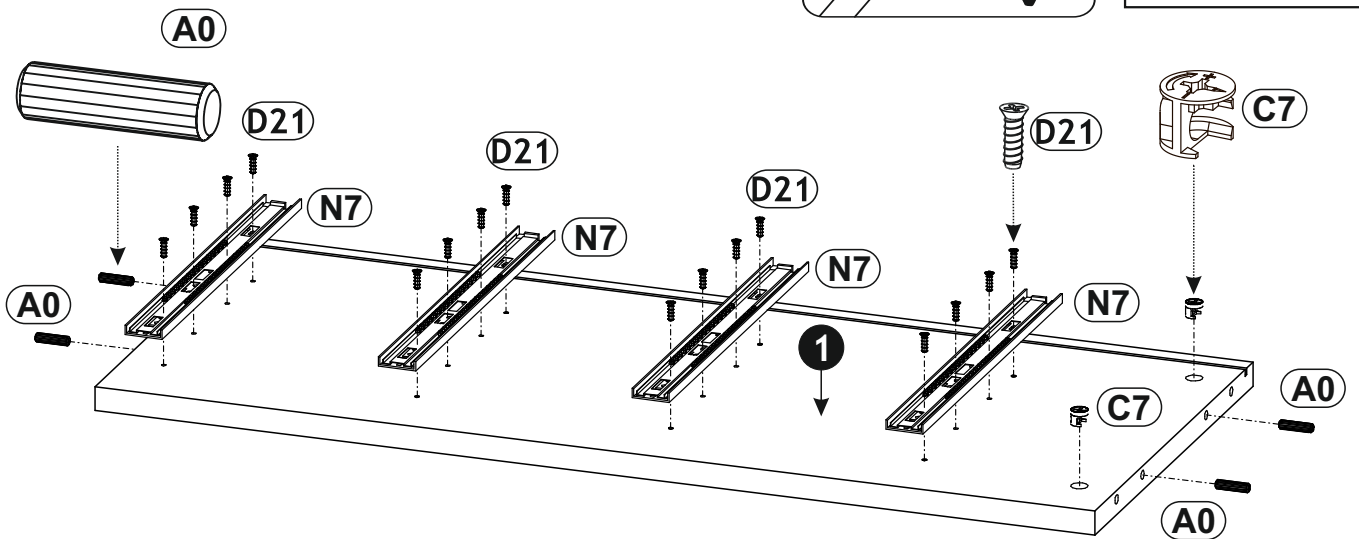
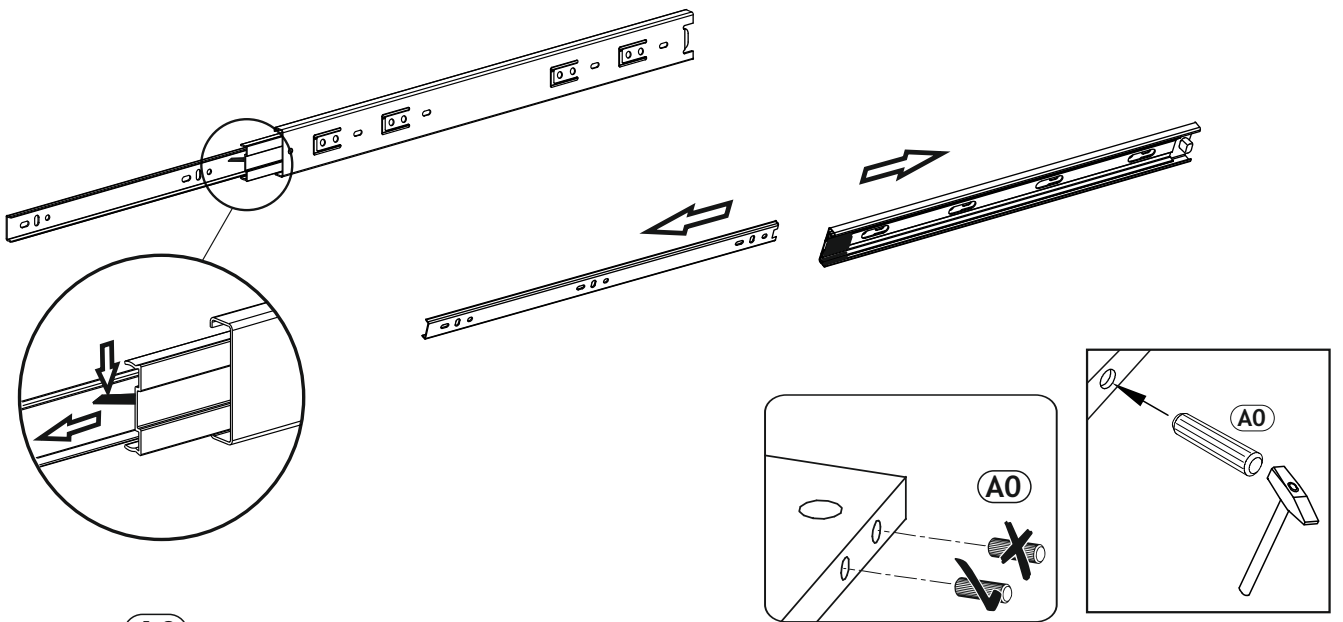
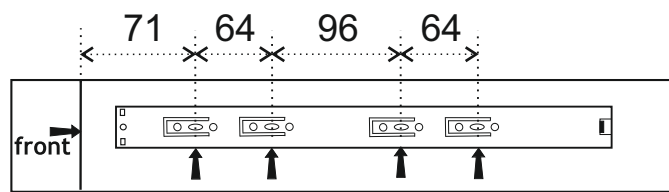
					2/3
--	--	--	--	--	-----






1 ▶


(A0) 8 x 30mm 	x4	(C7) 16mm 	x2	(D21) 5 x 13 mm 	x16
--	-----------	--	-----------	--	------------

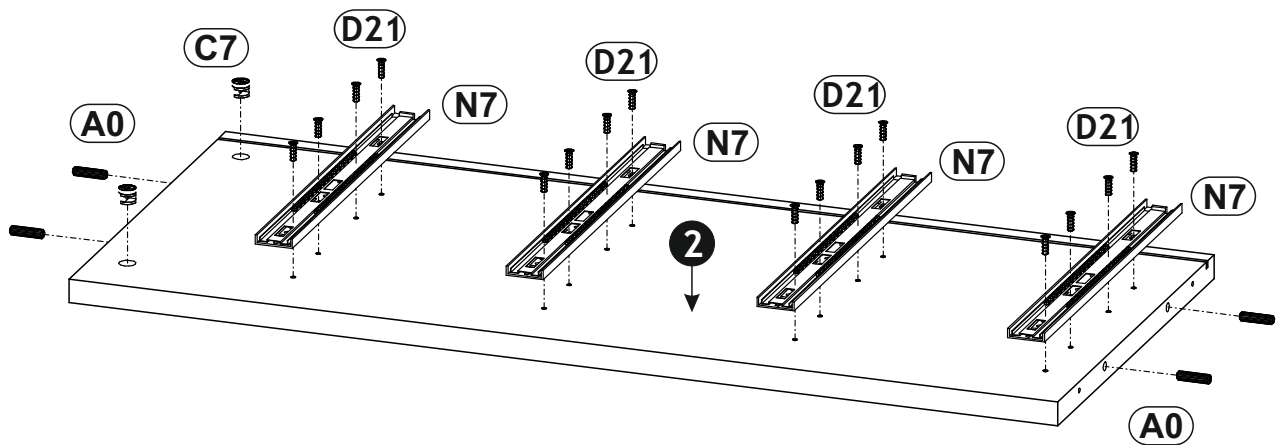
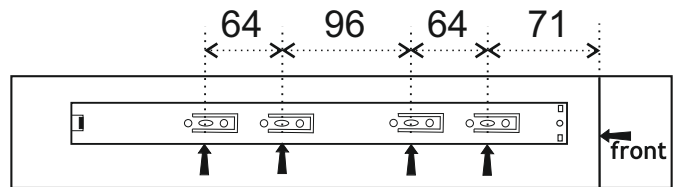
(N7) L-350 	x4
---	-----------



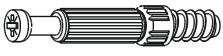

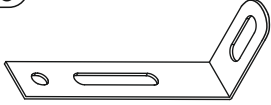
2 ▶

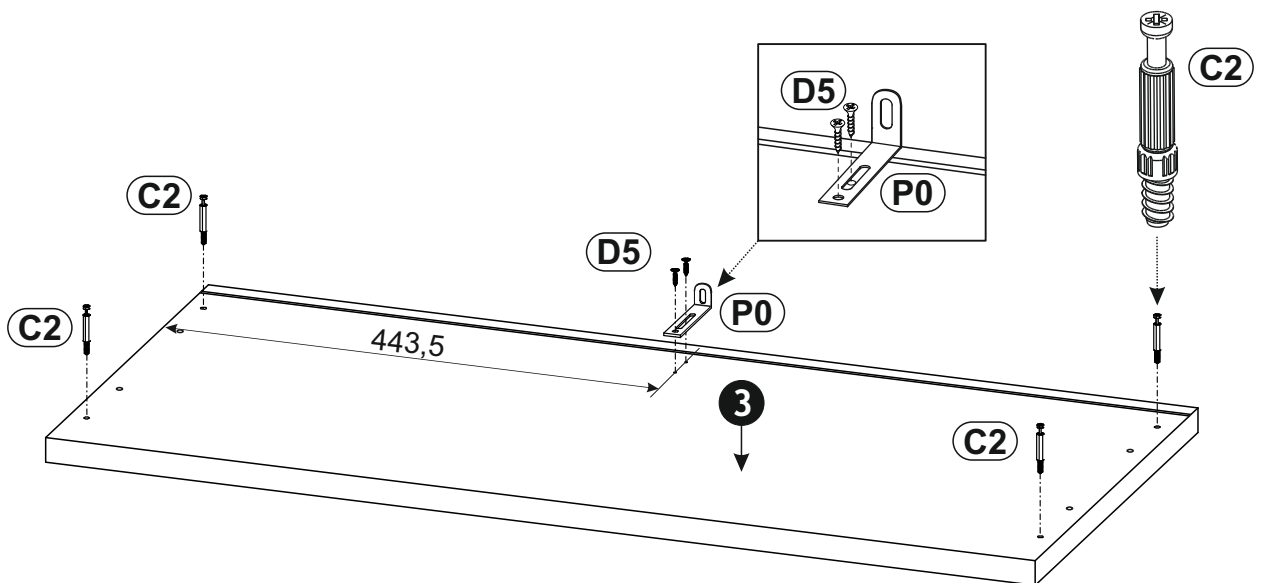
(A0) 8 x 30mm x4 	(C7) 16mm x2 	(D21) 5 x 13 mm x16 
---	---	--

(N7) L-350 x4 
--

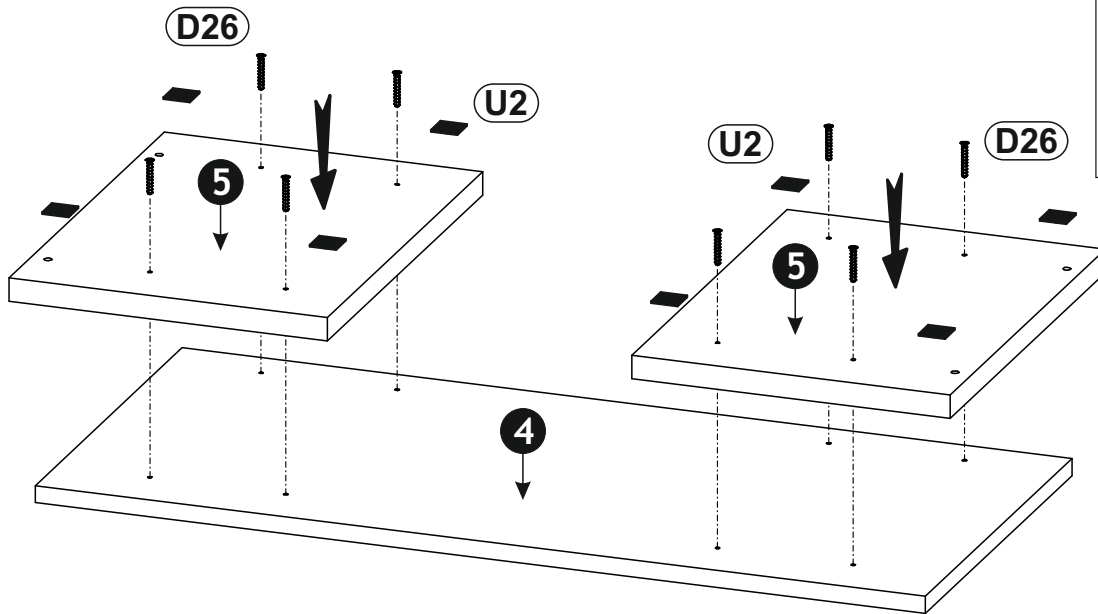
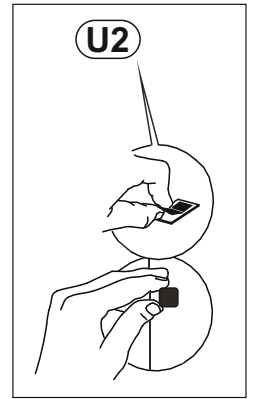
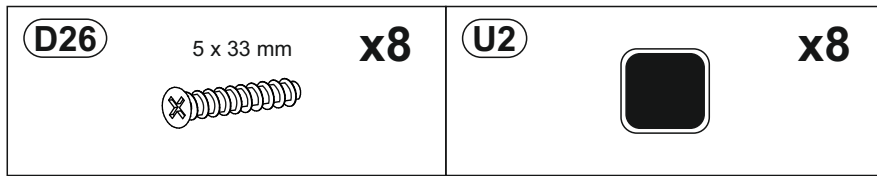


3 ▶

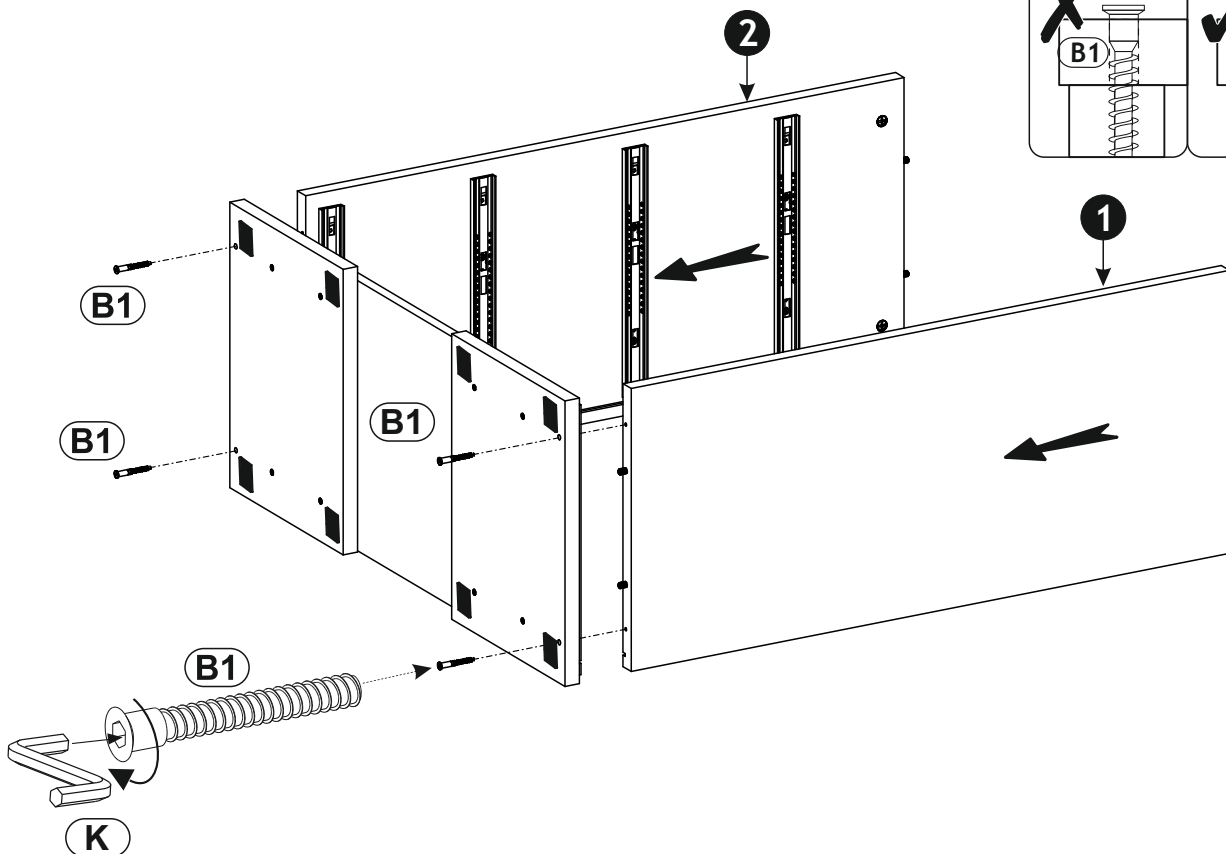
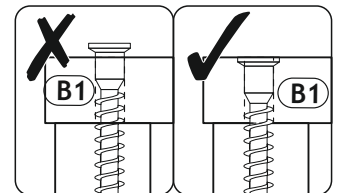
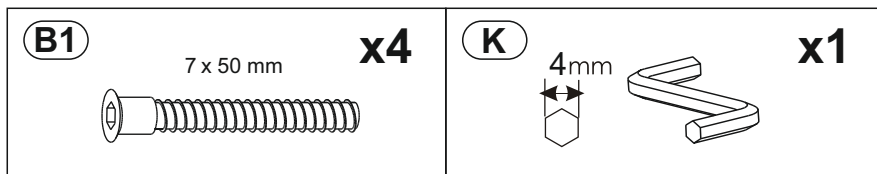
(C2) x4 	(D5) 3,5 x 16 mm x2 	(P0) x1 
--	--	--



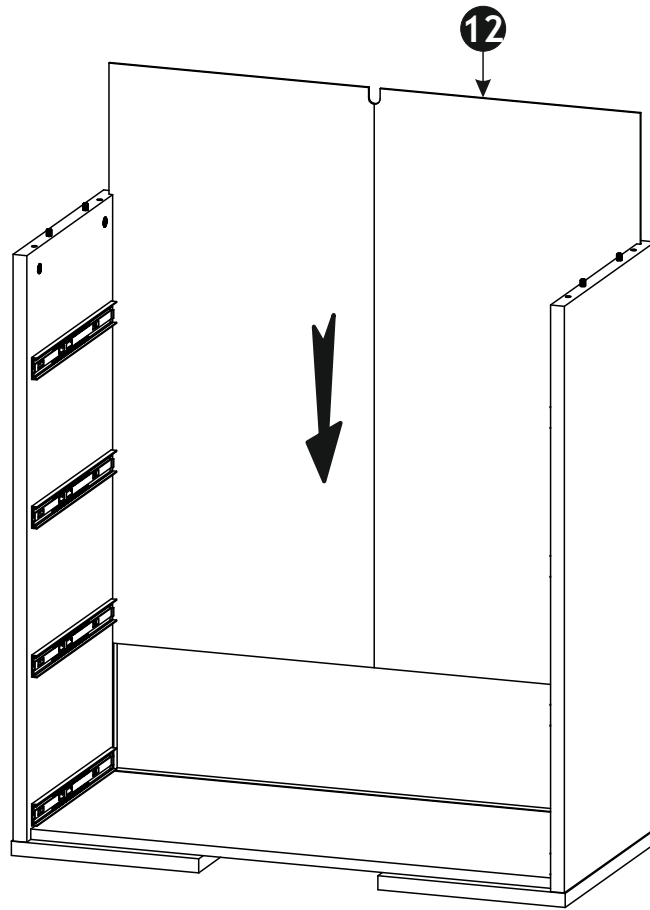
4



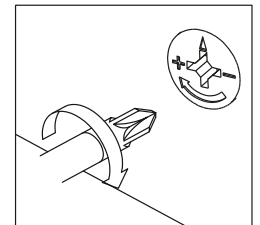
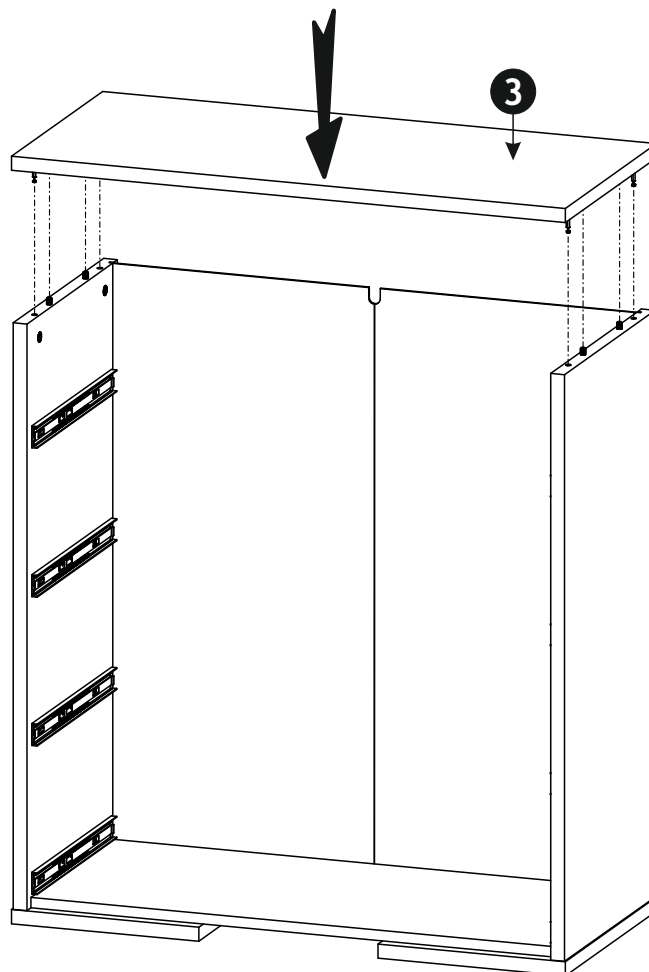
5





6 ▶

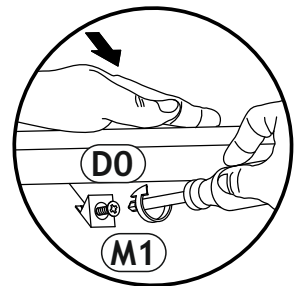
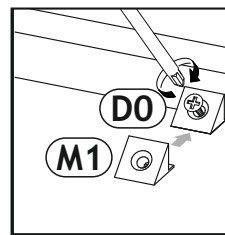
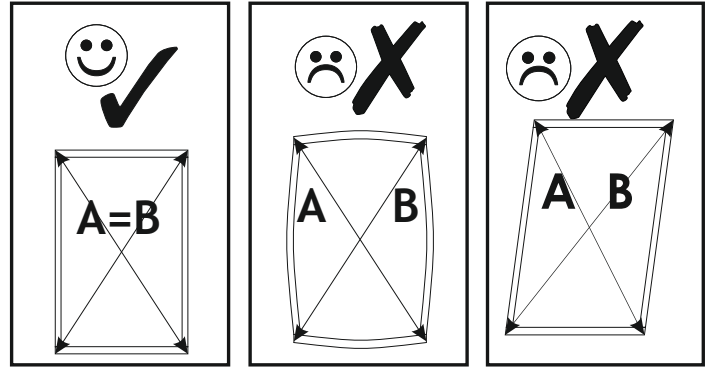
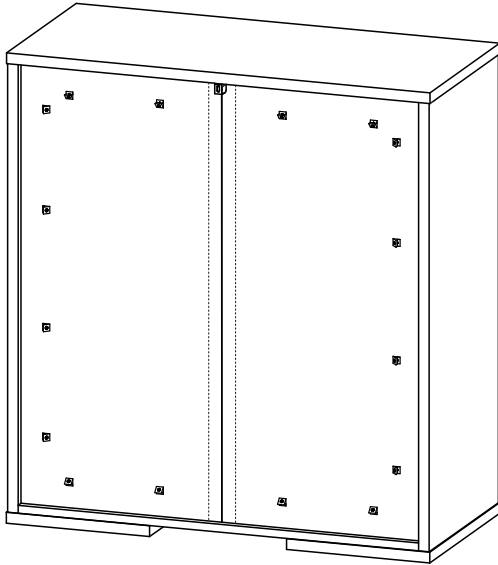


7 ▶

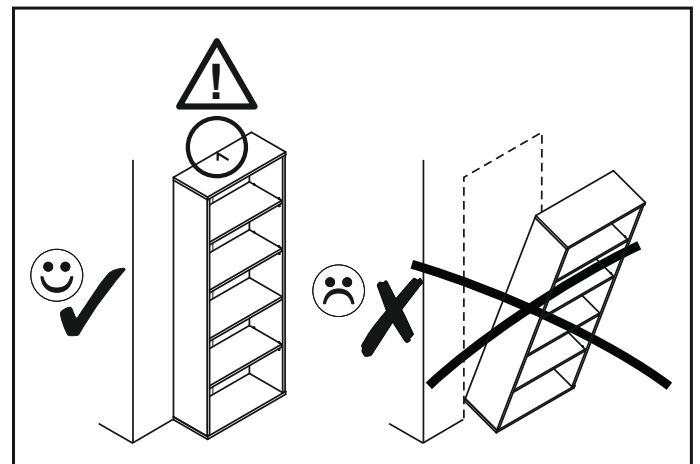
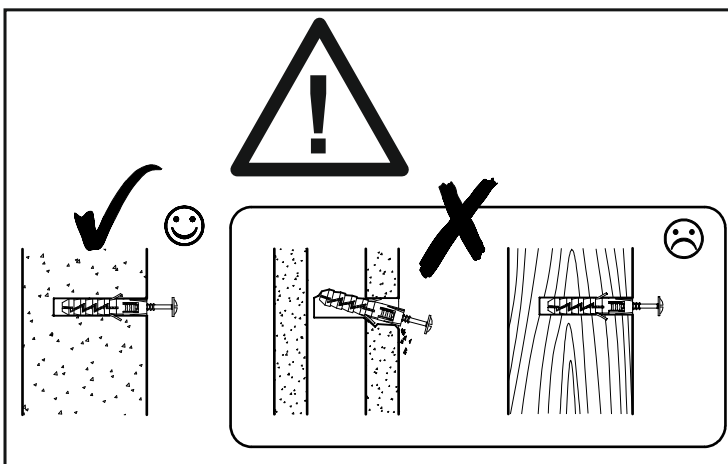
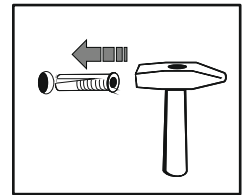
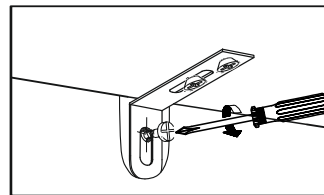
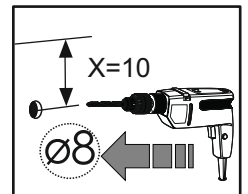
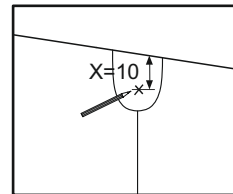
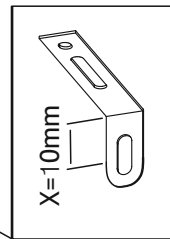
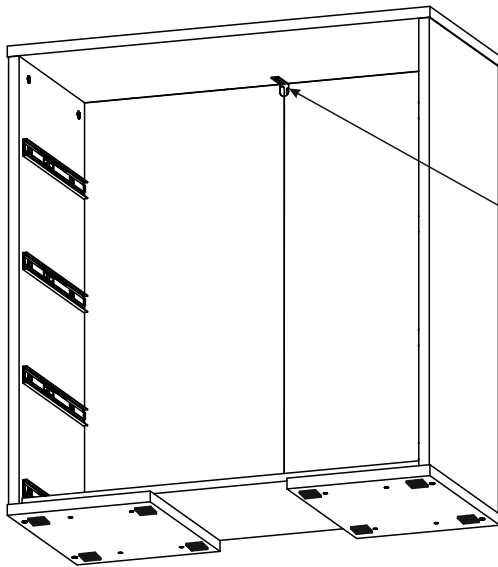


8


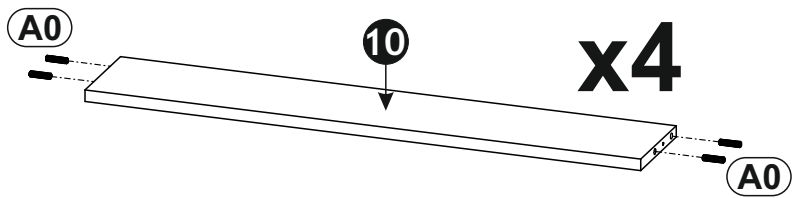
<p>(D0) 3 x 15 mm x16</p> 	<p>(M1) x16</p> 
---	---




9




10 ▶ **A0** 8 x 30mm **x16**

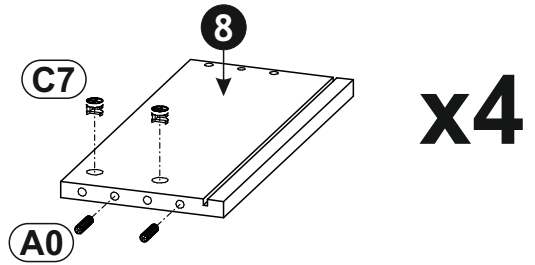
11 ▶ **A0** 8 x 30mm **x8**



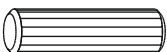
C7 **x8**




16mm



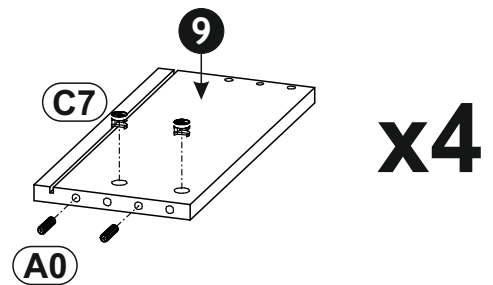
12 ▶ **A0** 8 x 30mm **x8**




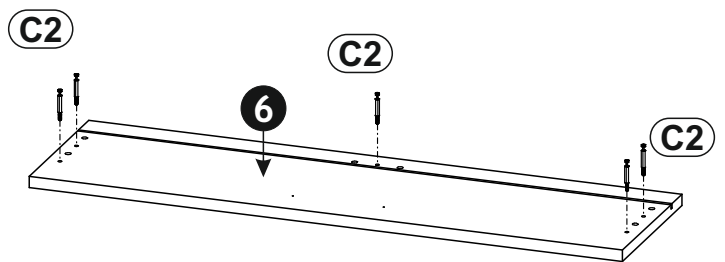
C7 **x8**




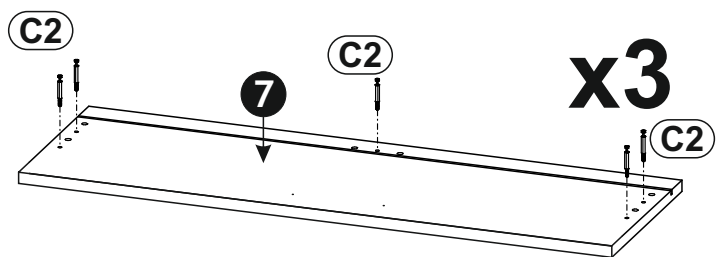
16mm



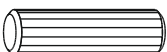
13 ▶ **C2** **x5**


14 ▶ **C2** **x15**

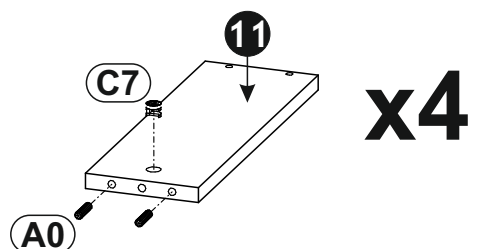
15 ▶ **A0** 8 x 30mm **x8**



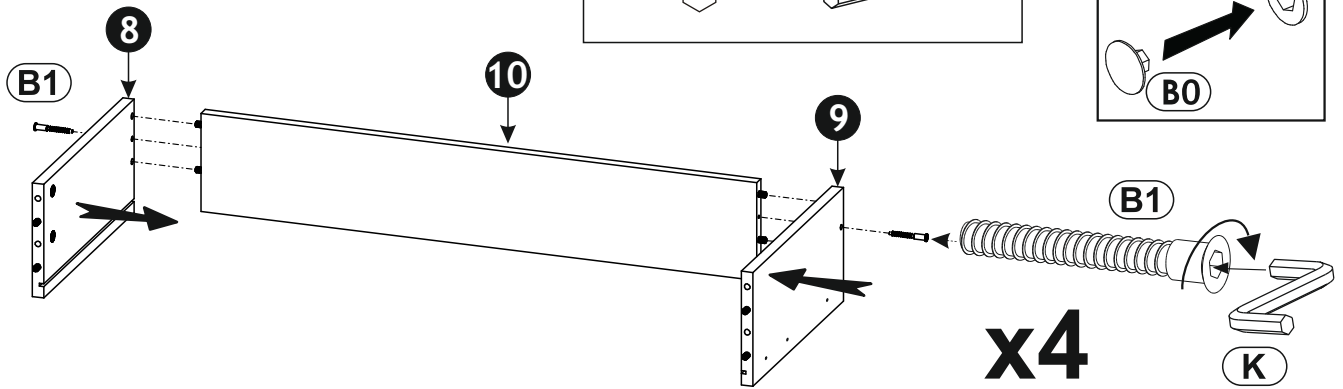
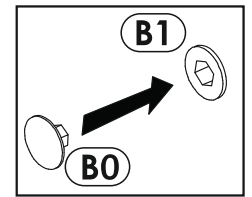
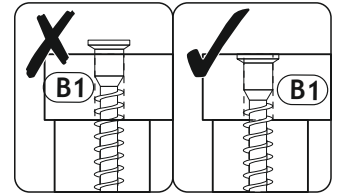
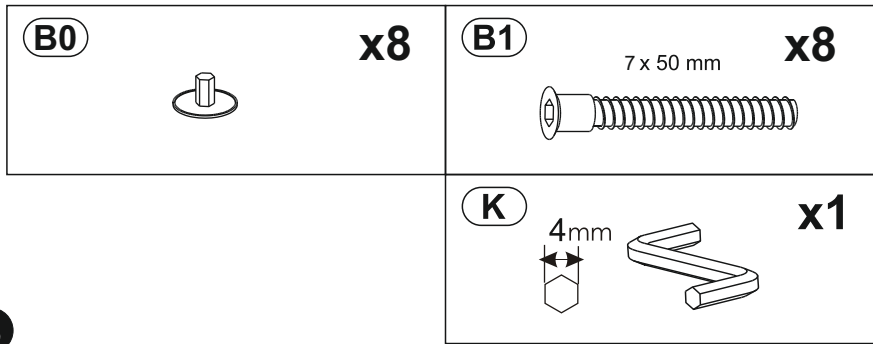
C7 **x4**



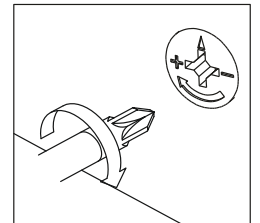
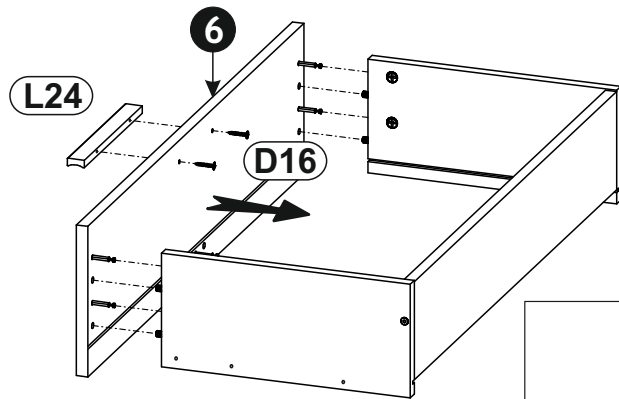
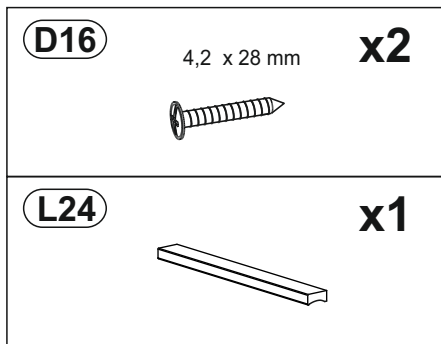
16mm



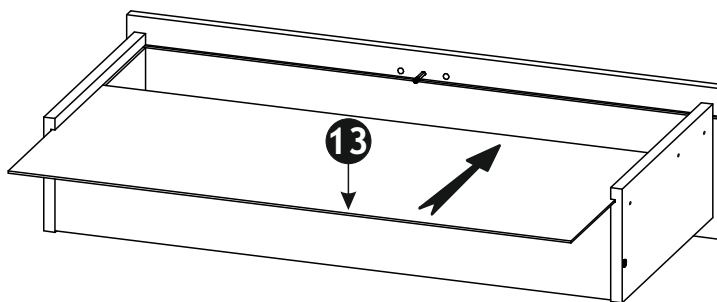
16 ▶



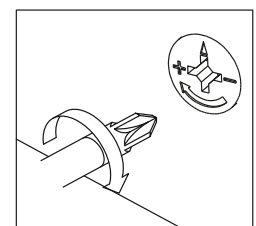
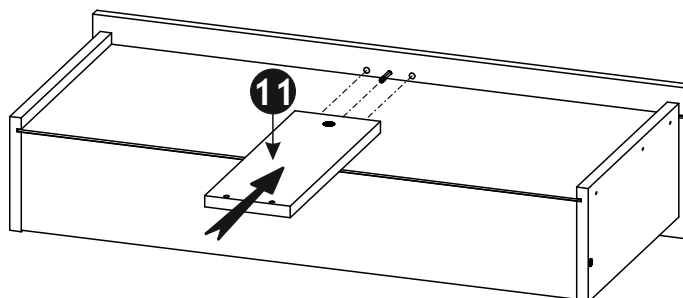
17 ▶







18 ▶

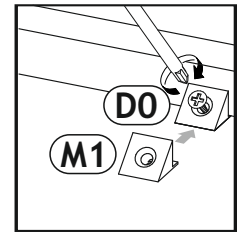
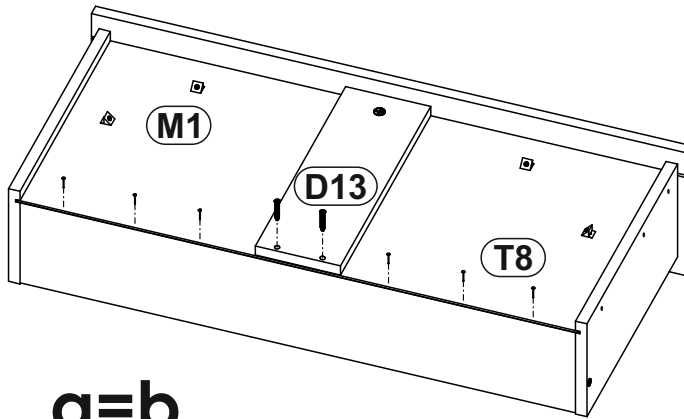


19 ▶

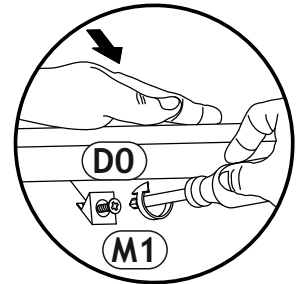
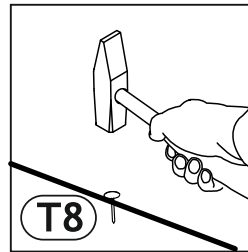
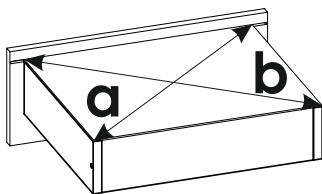


20 ▶


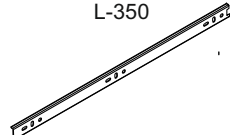
(D0) 3 x 15 mm  x4	(D13) 4 x 30 mm  x2	(M1)  x4
		(T8)  x6

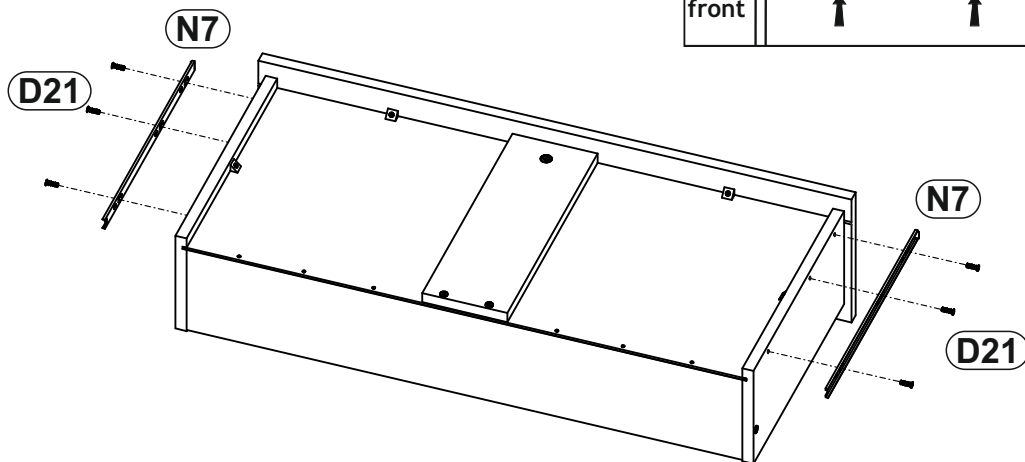
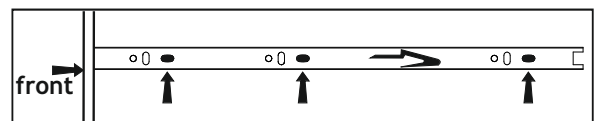


a=b

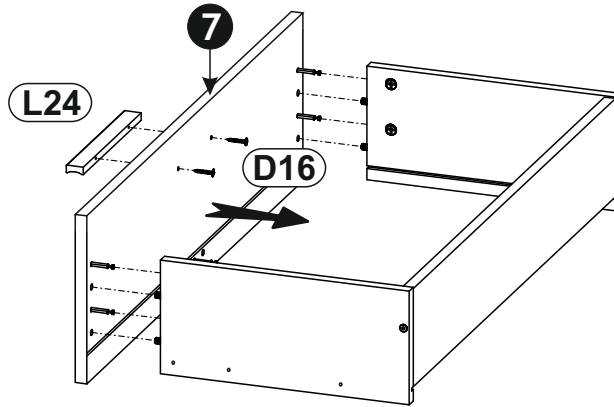
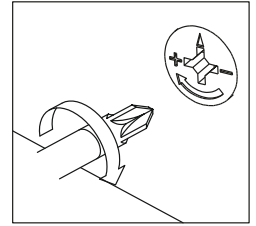
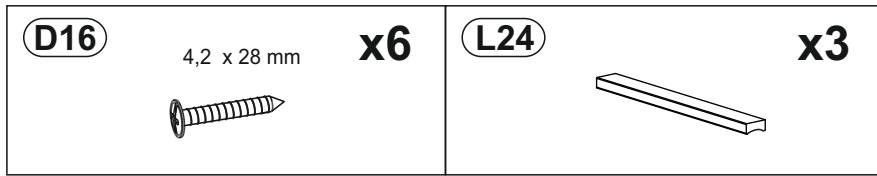


21 ▶

(D21) 5 x 13 mm  x6	(N7) L-350  x2
---	---

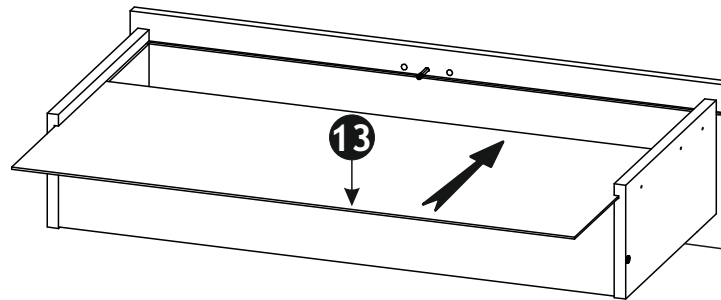


22 ▶



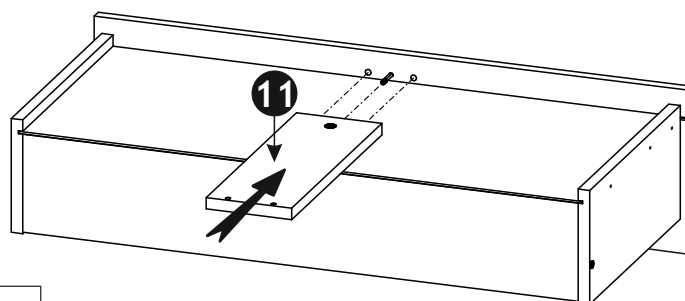
x3

23 ▶

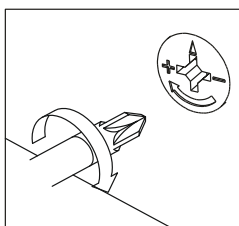


x3





24 ▶

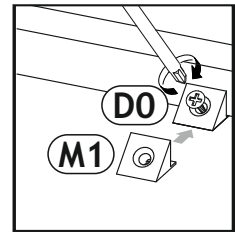
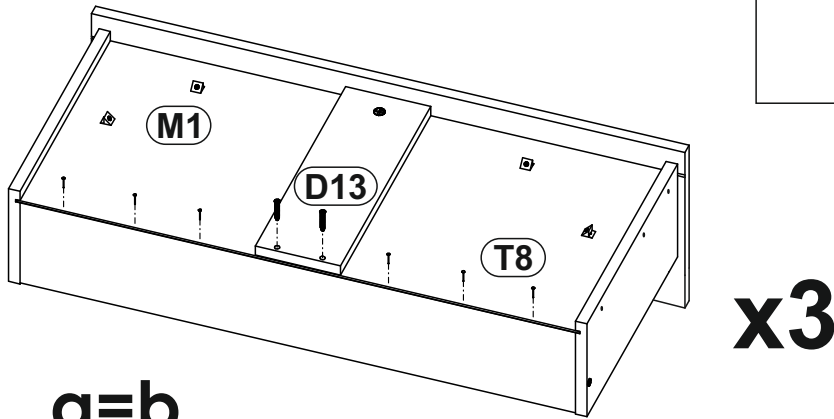


x3

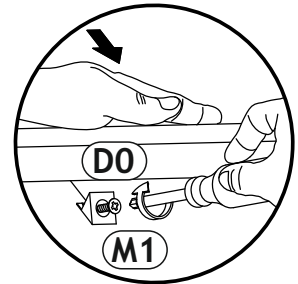
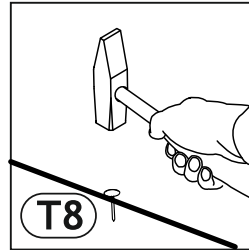
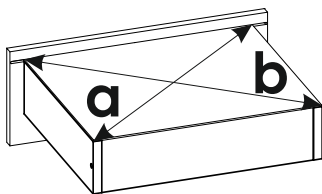


25 ▶


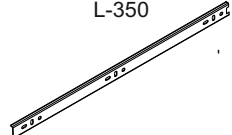
(D0) 3 x 15 mm x12 	(D13) 4 x 30 mm x6 	(M1)  x12
		(T8)  x18

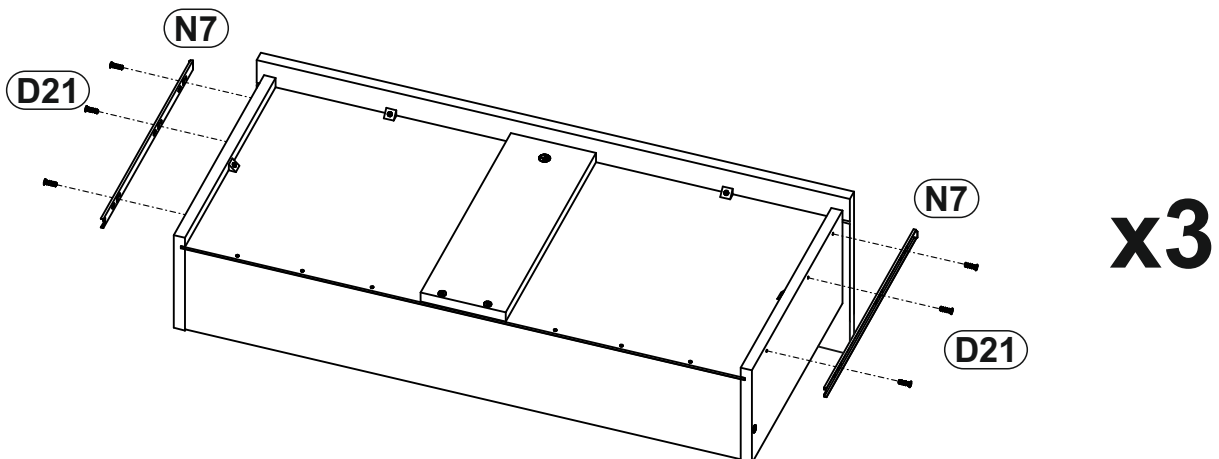
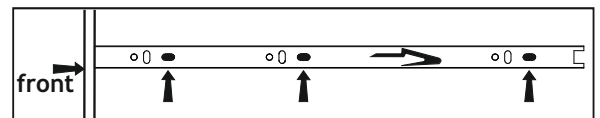


a=b



26 ▶

(D21) 5 x 13 mm x18 	(N7) L-350 x6 
--	---



27 ▶

