






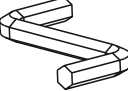
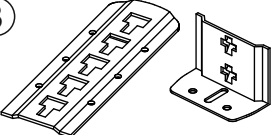
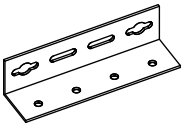
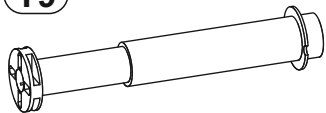

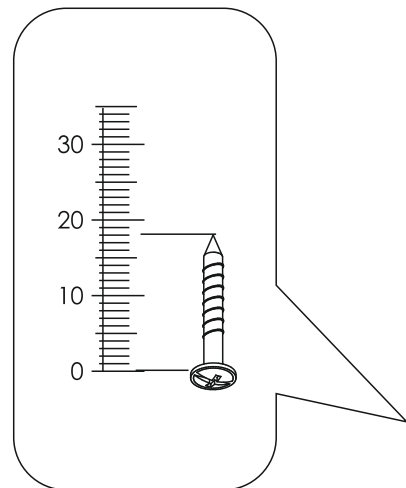
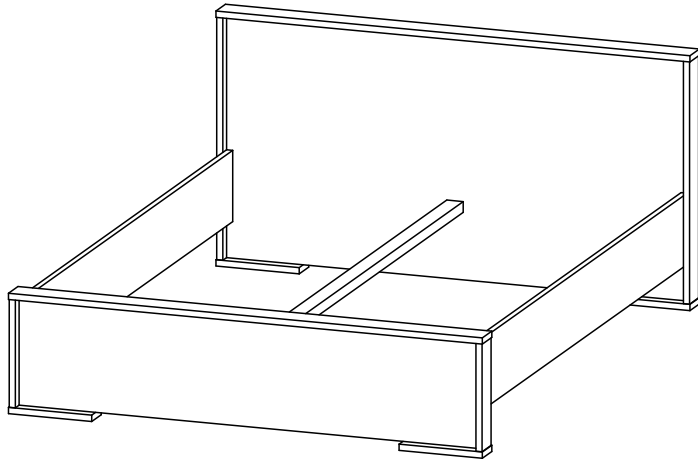

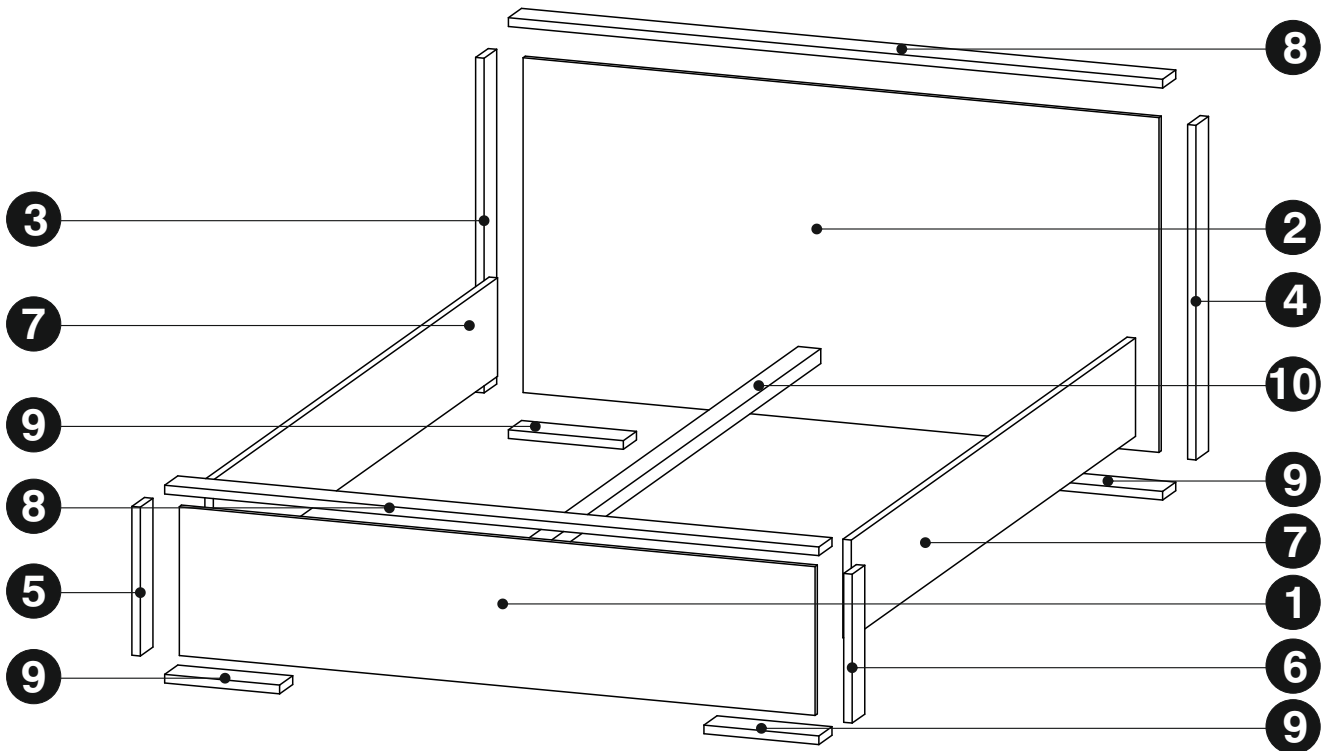


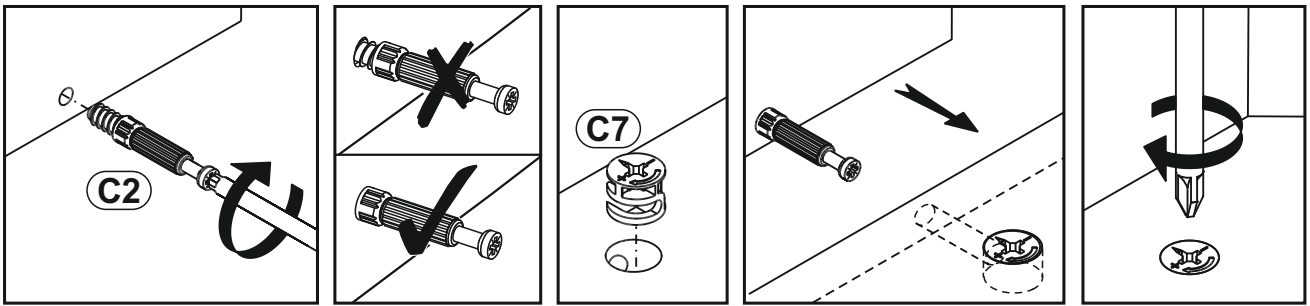
A0 8 x 30mm x38 	B1 7 x 50 mm x16 	C2 x12 
C7 16mm x12 	D10 4 x 16 mm x50 	D14 4 x 35 mm x8 
D30 EURO 6,3 x 13 mm x32 	K 4mm x1 	P3 x8 
P8 x4 	T9 x2 	U2 x8 



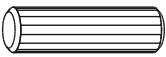

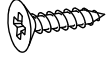
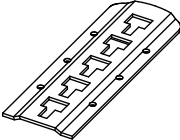


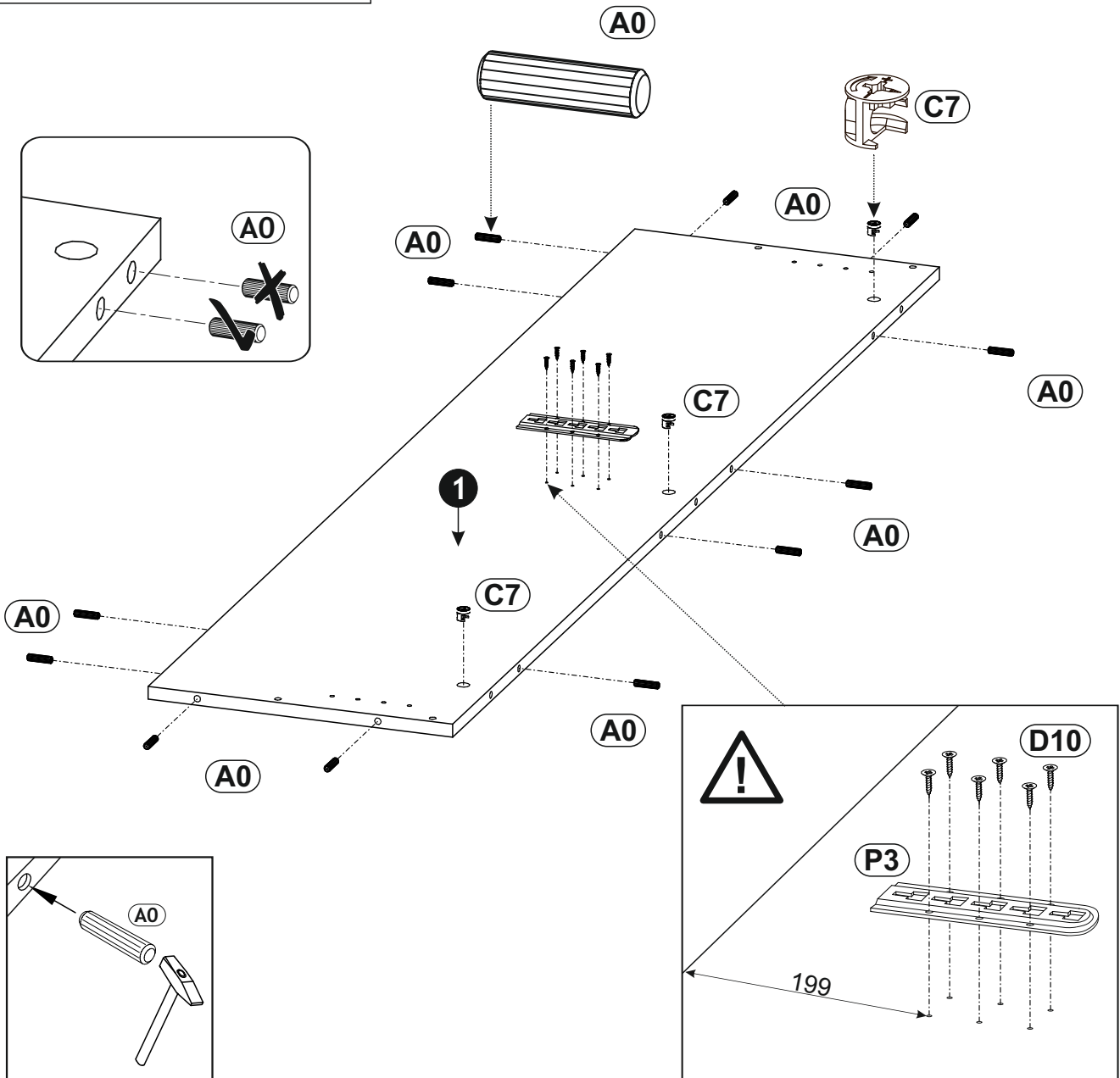
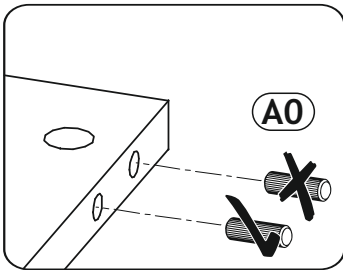
1	1660	378	16	x1	2/2
2	1660	850	16	x1	2/2
3	850	90	22	x1	1/2
4	850	90	22	x1	1/2
5	378	90	22	x1	1/2
6	378	90	22	x1	1/2
7	2039	250	22	x2	1/2
8	1708	94	22	x2	1/2
9	300	94	22	x4	1/2
10	2023	59	38	x1	1/2
					1/2





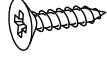
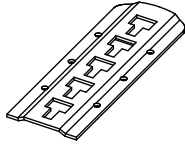


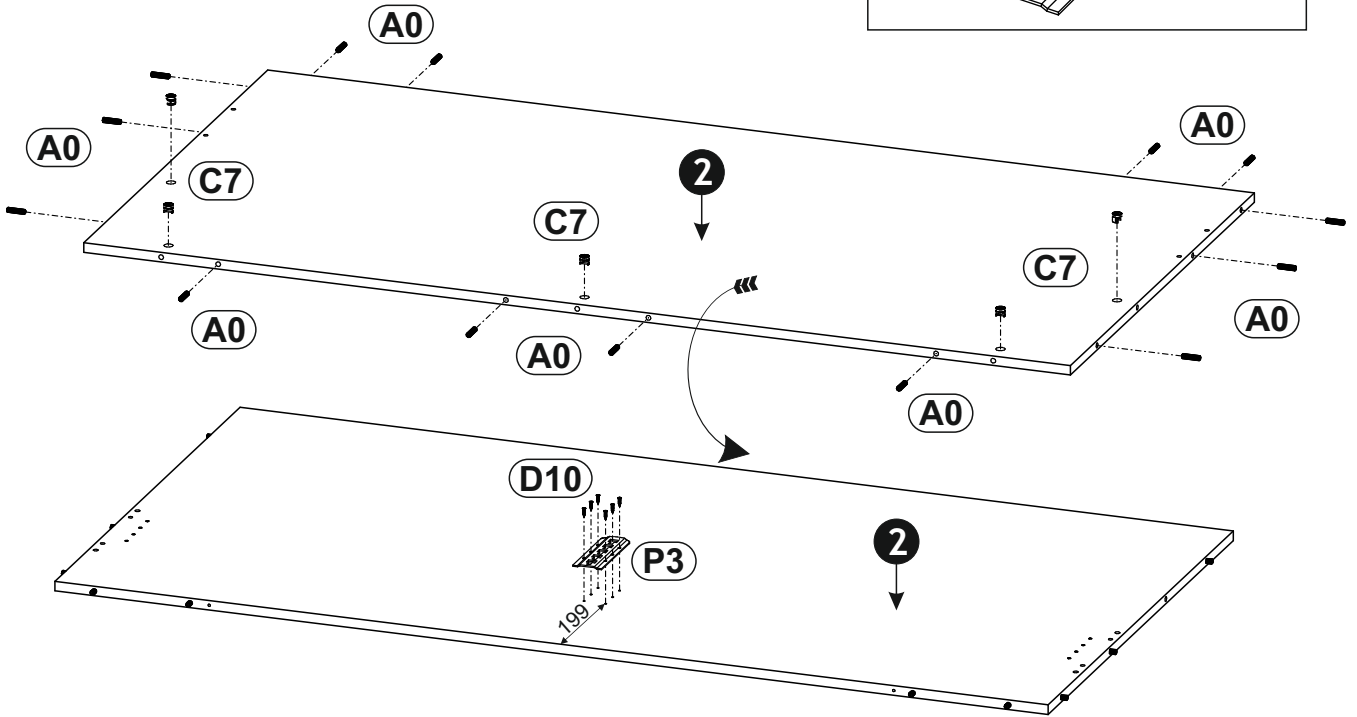
1 ▶

<p>(A0) 8 x 30mm x12</p> 	<p>(C7) 16mm x3</p> 	<p>(D10) 4 x 16 mm x6</p> 
<p>(P3) x1</p> 		

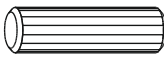
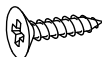

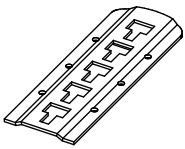
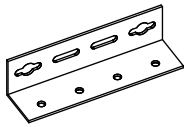


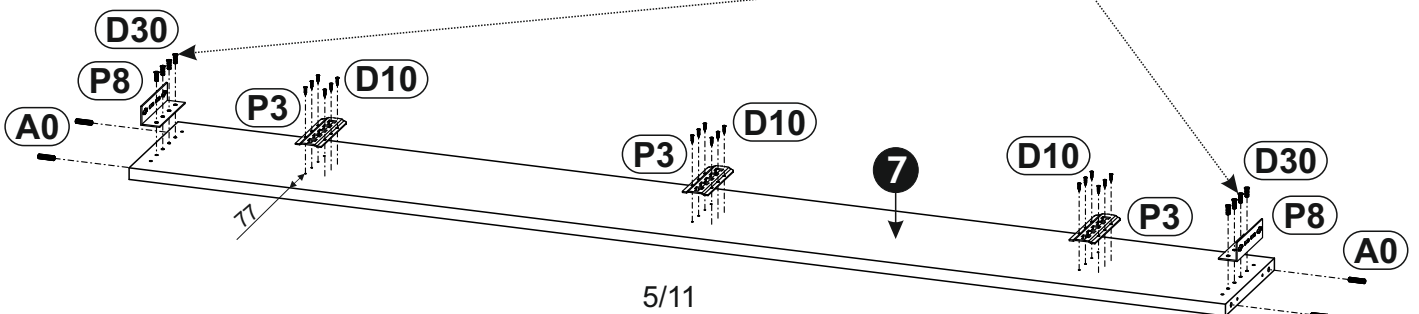
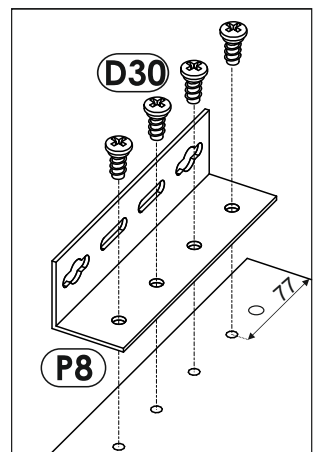
2 ▶

A0 8 x 30mm x14 	C7 16mm x5 	D10 4 x 16 mm x6 
		P3  x1

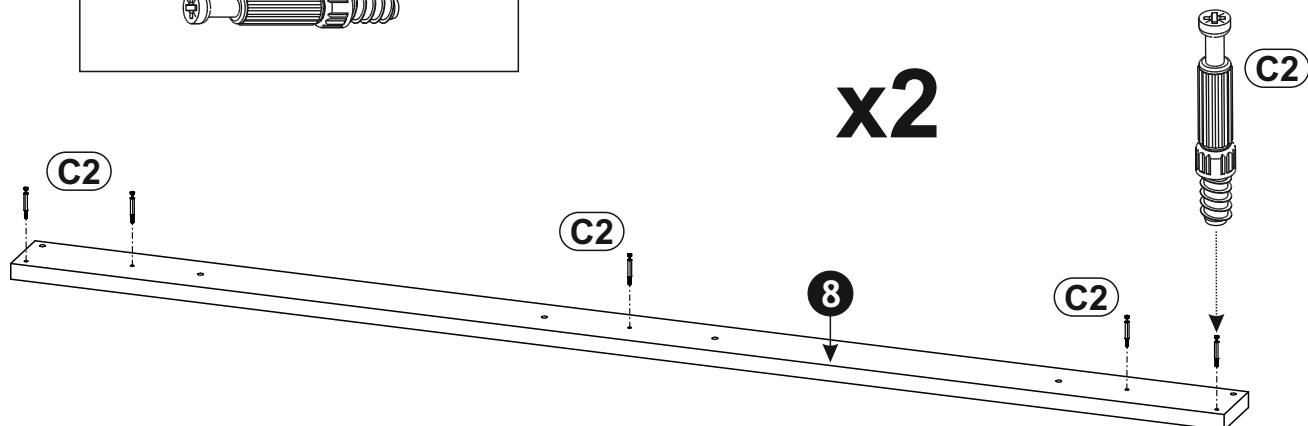
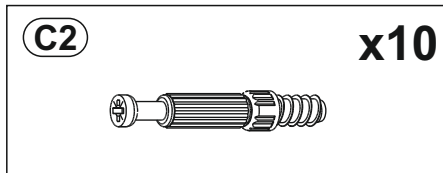


3 ▶

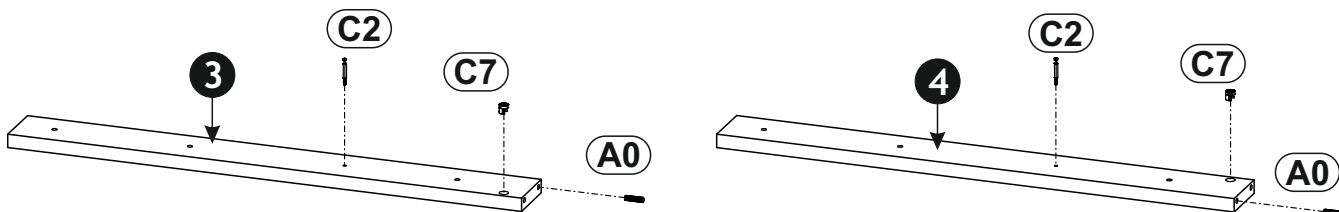
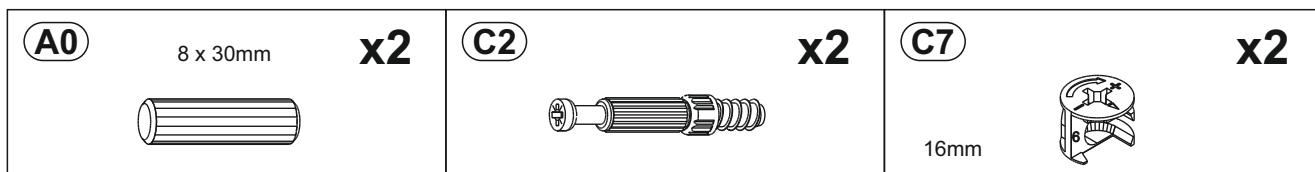
A0 8 x 30mm x8 	D10 4 x 16 mm x36 
D30 EURO 6,3 x 13 mm x16 	P3  x6
P8  x4	x2



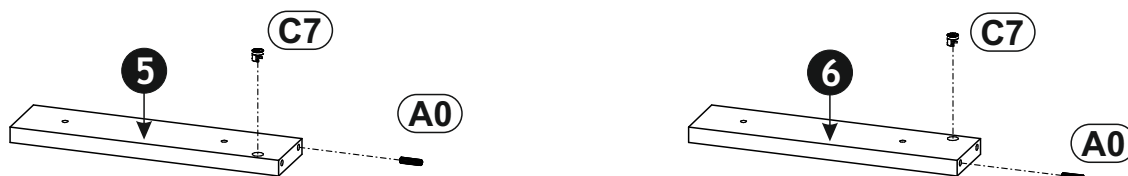
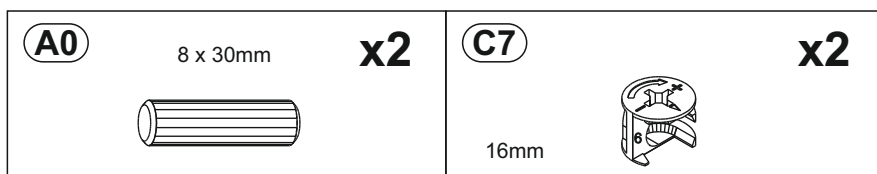
4



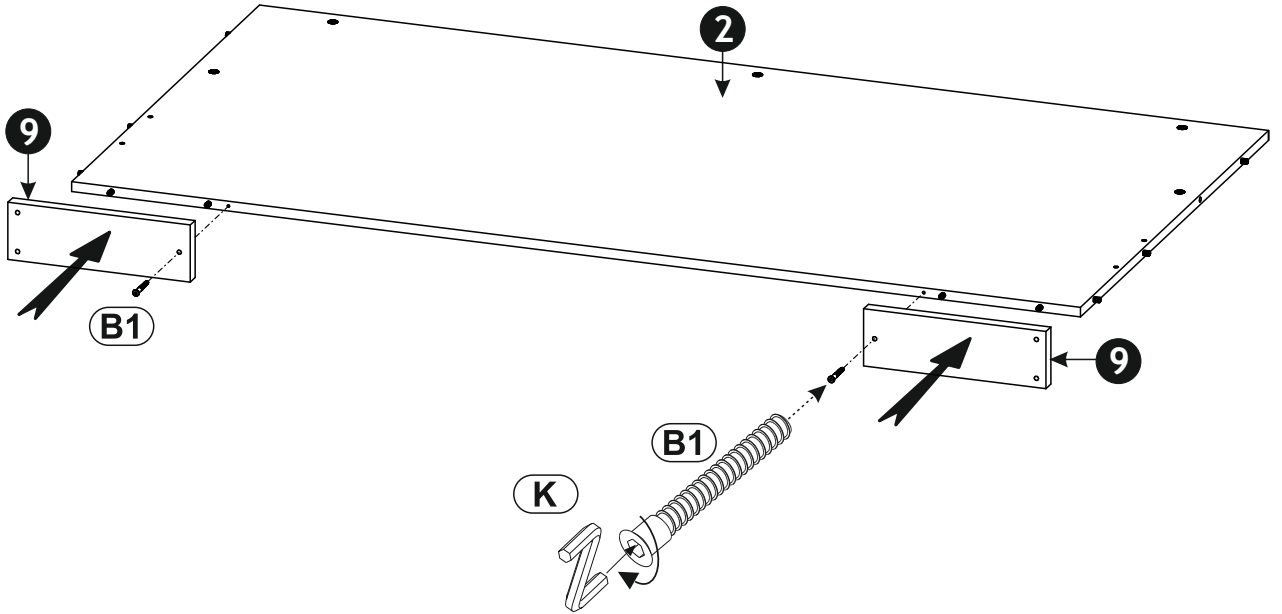
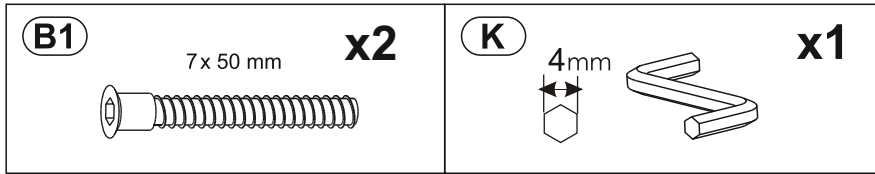
5



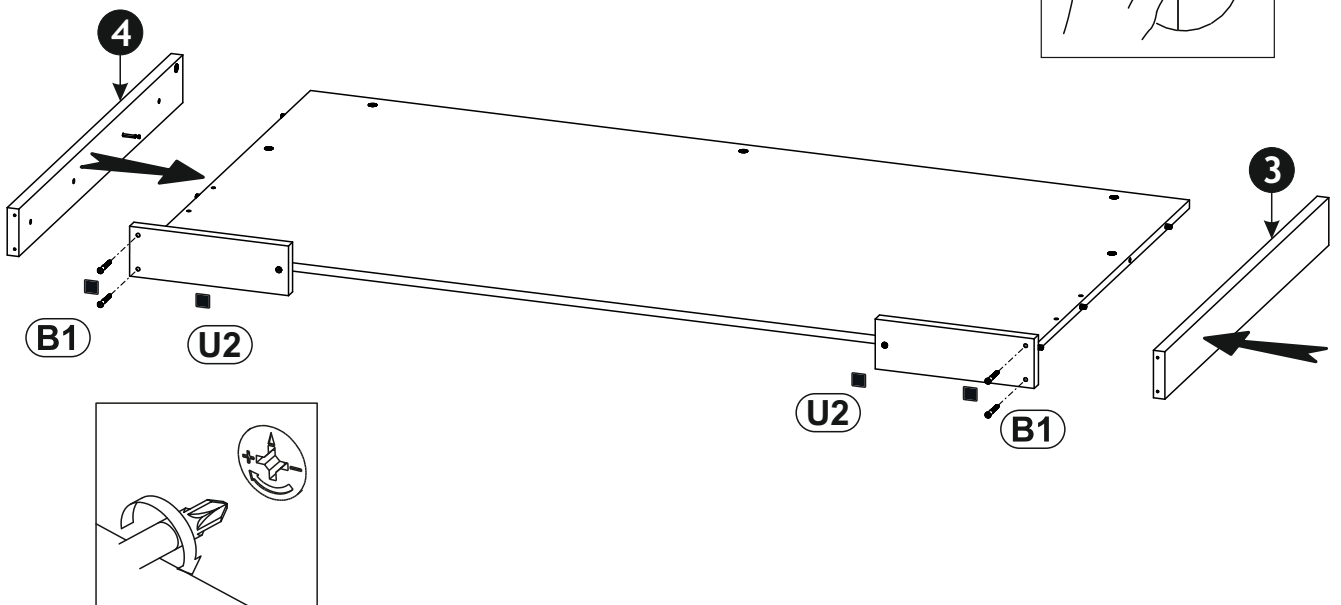
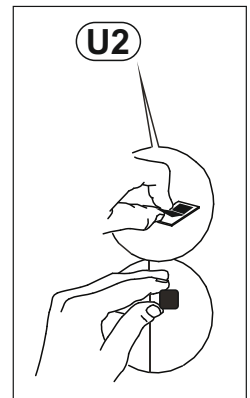
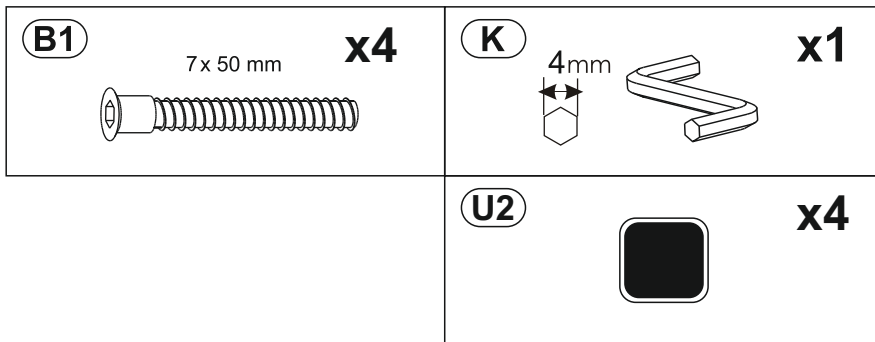
6



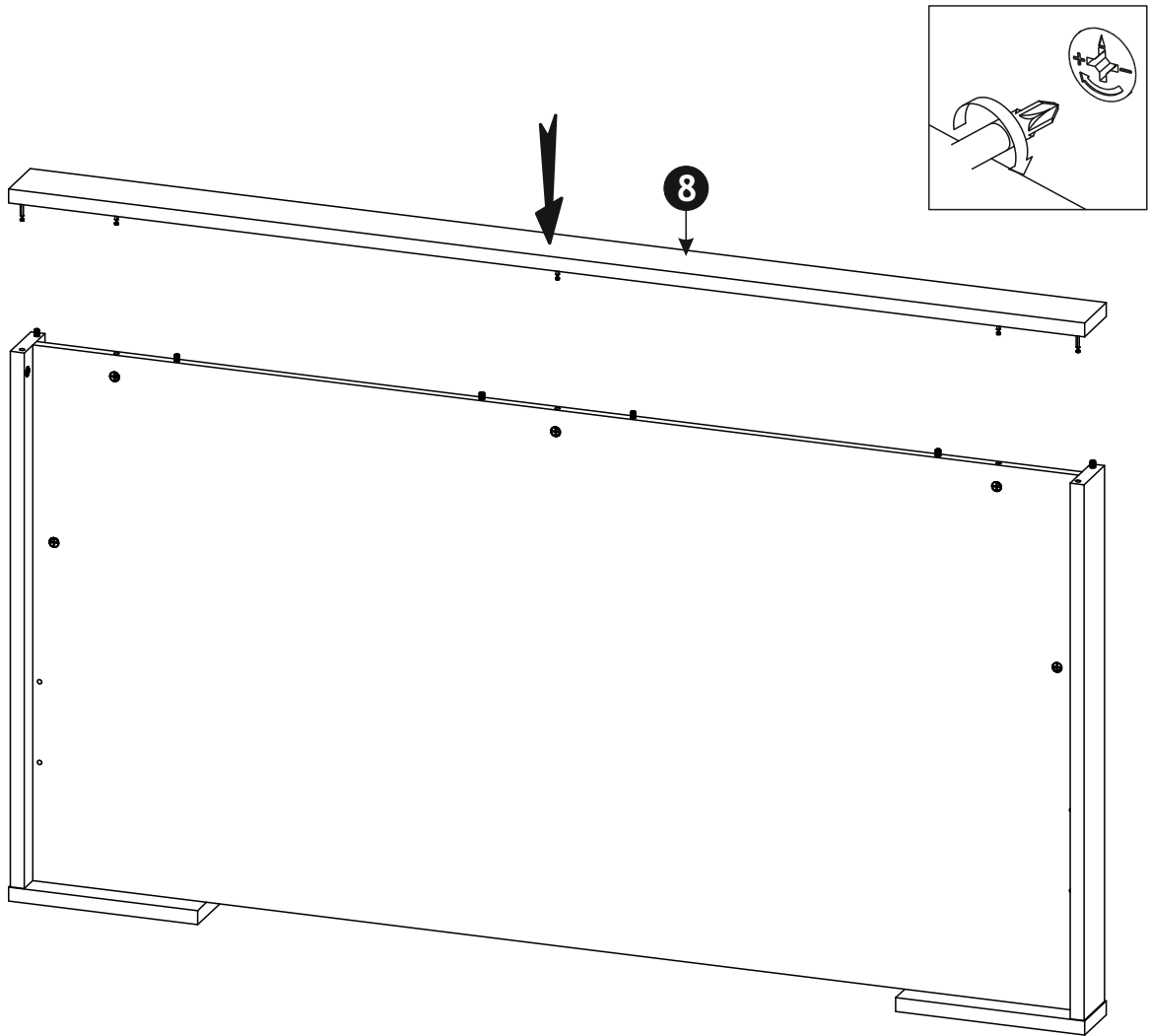
7



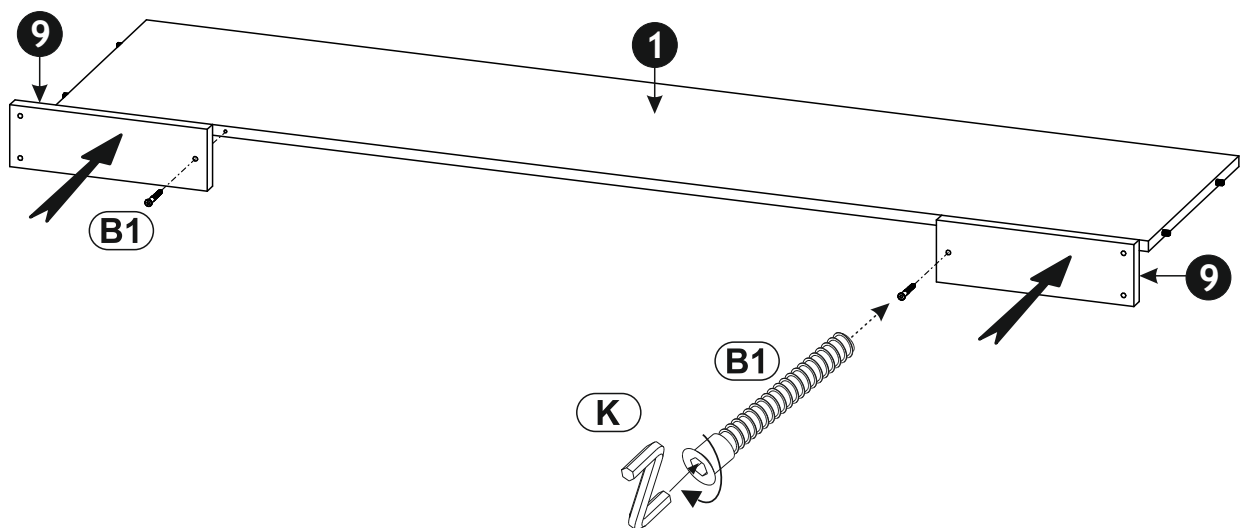
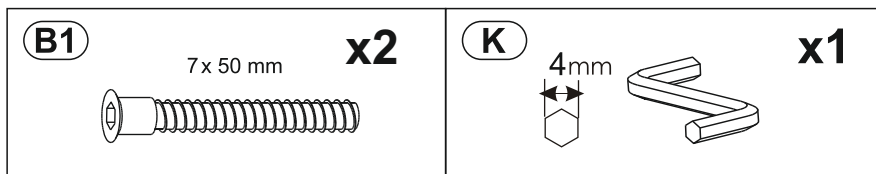
8




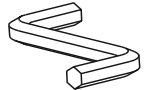

9 ▶

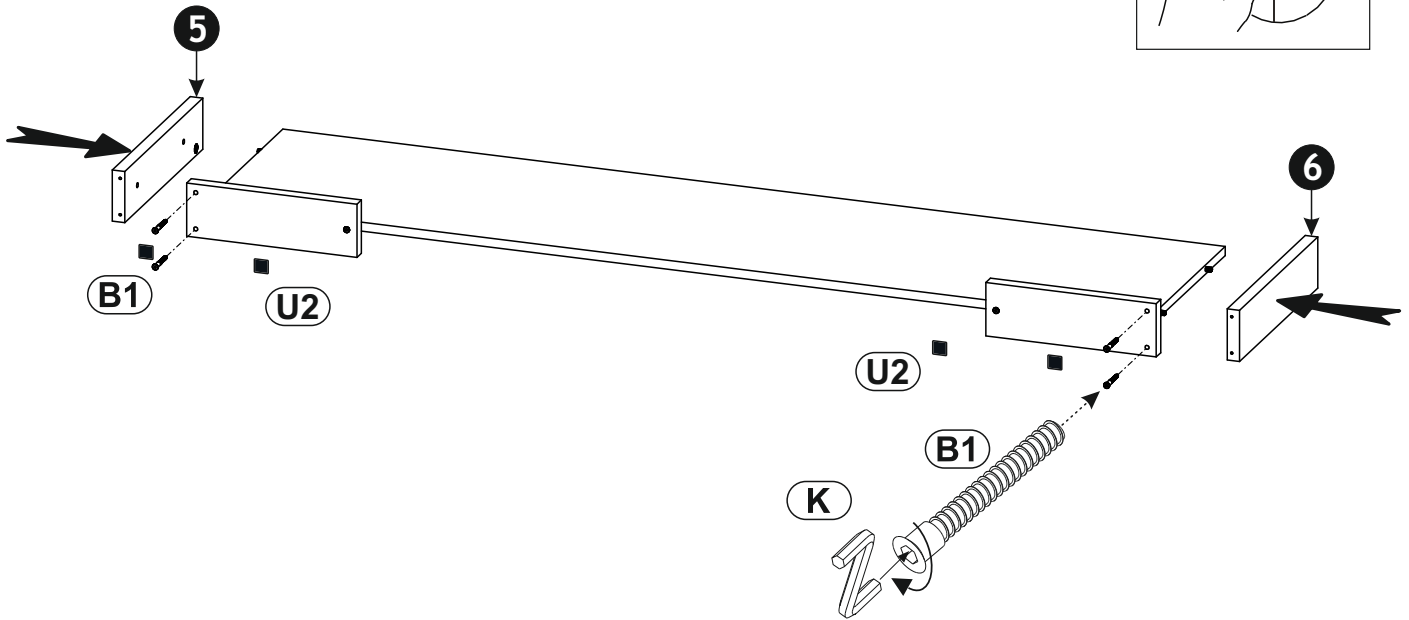
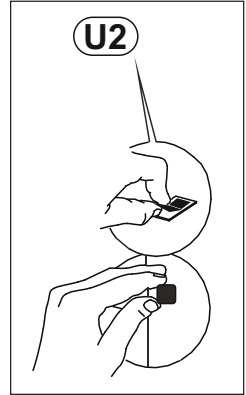


10 ▶

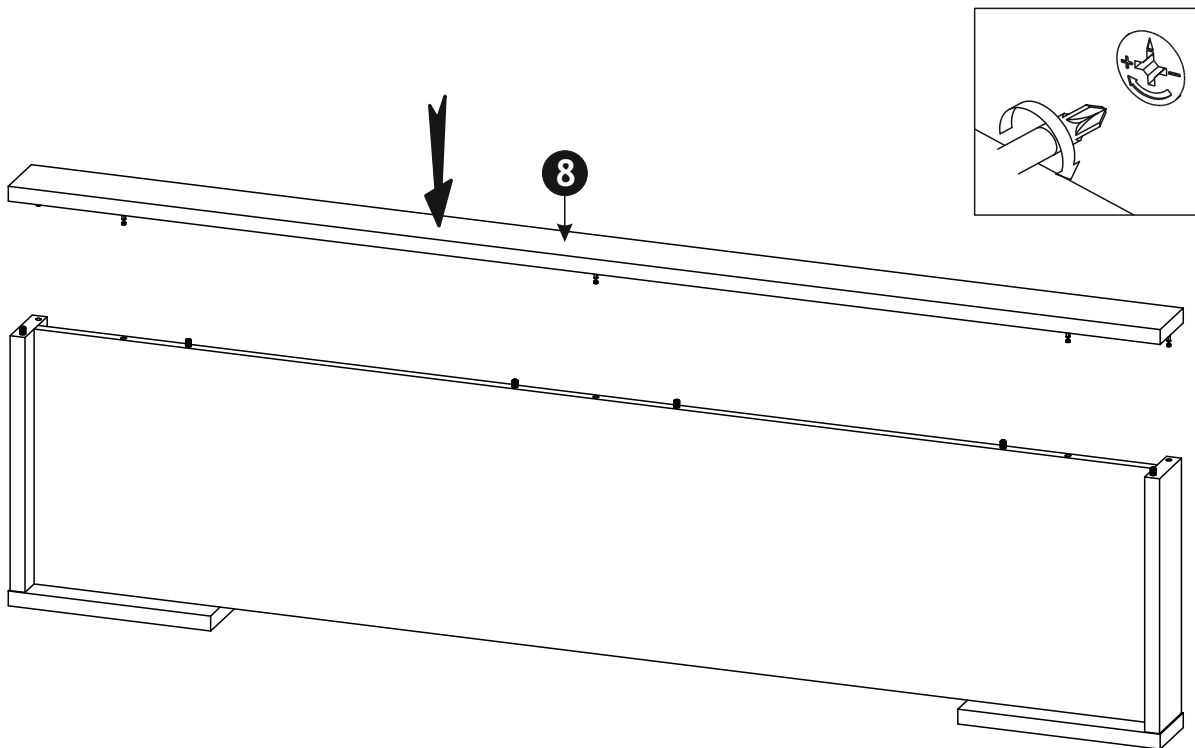


11 ▶

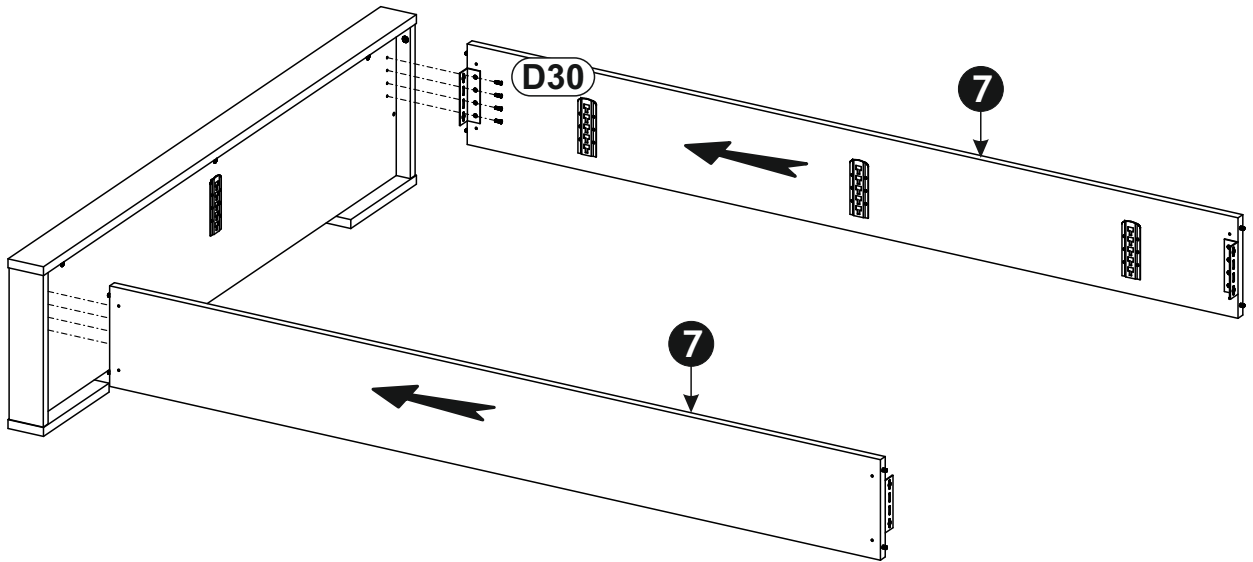
(B1) 7 x 50 mm x4 	(K) 4mm x1 
(U2) x4 	



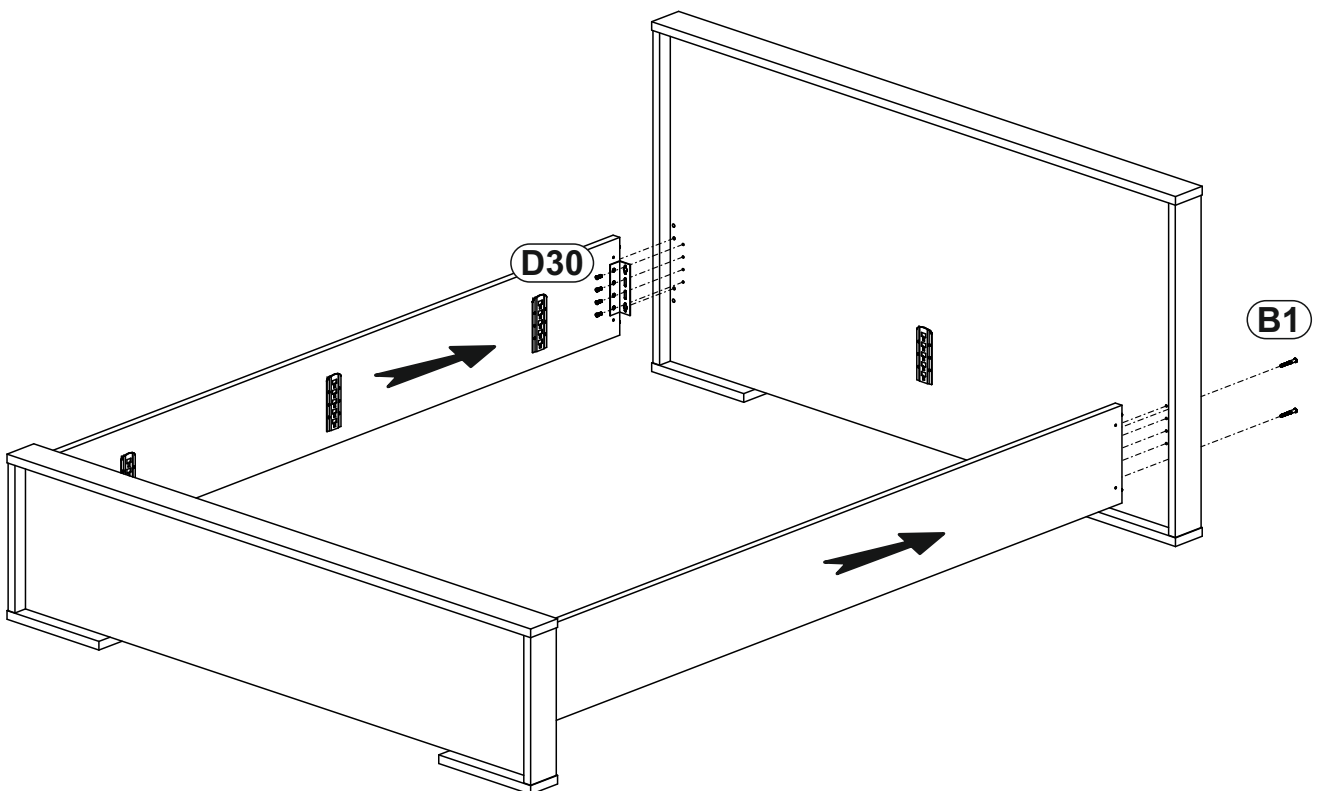
12 ▶



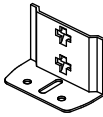
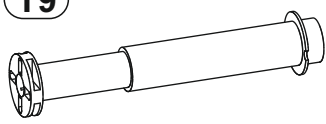
13 ▶

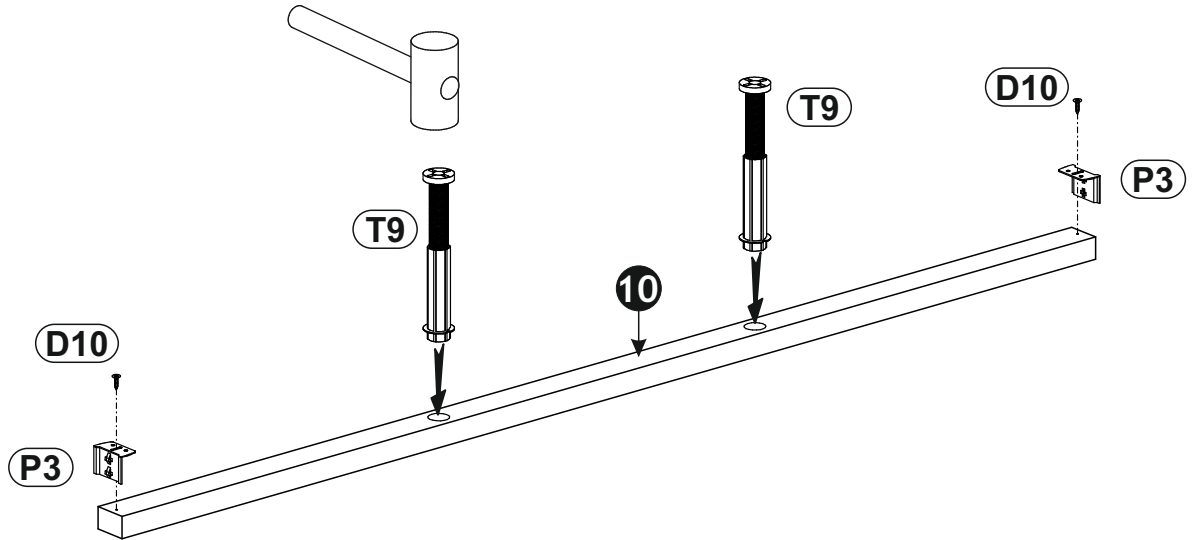


14 ▶

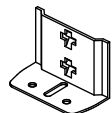


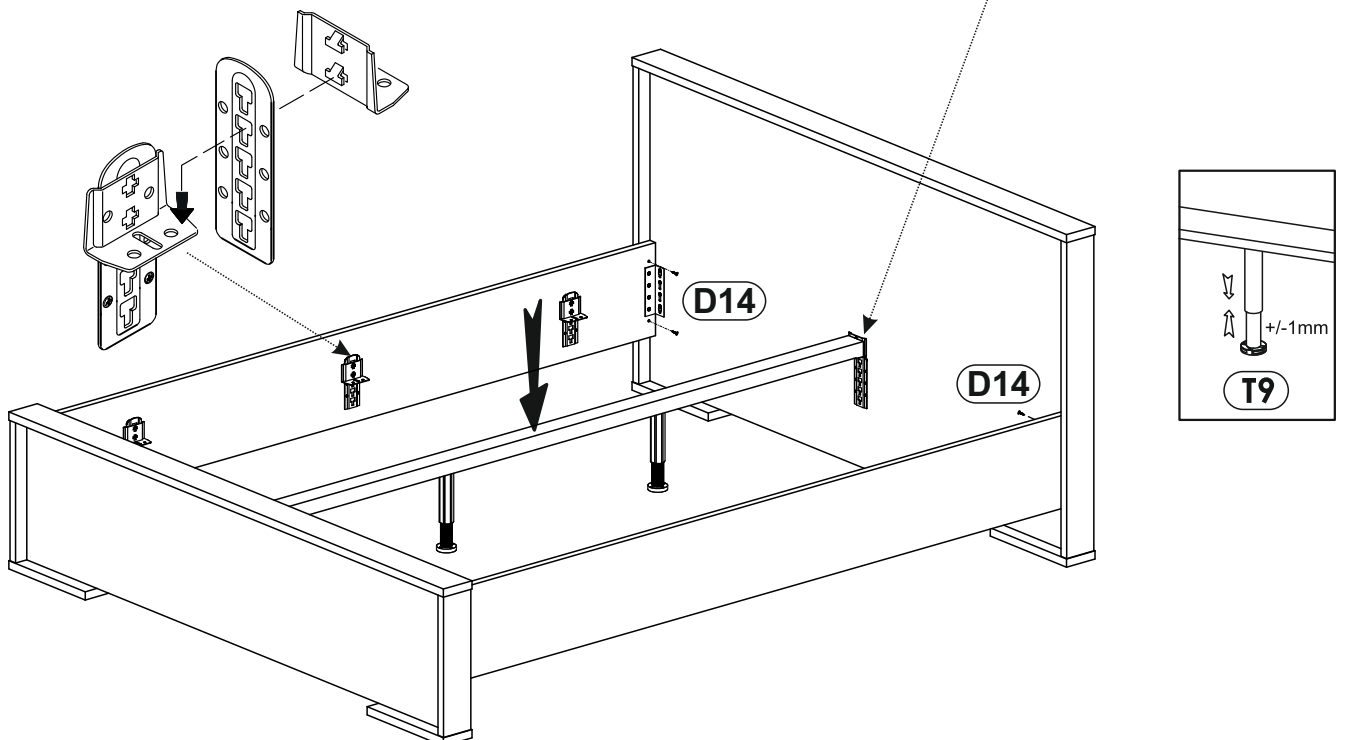
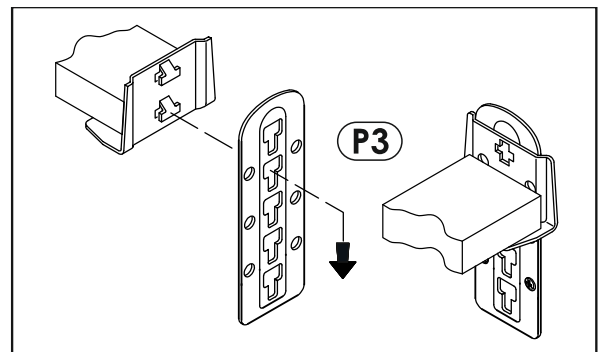
15 ▶

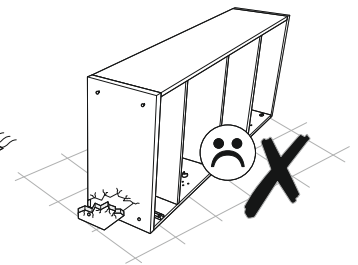
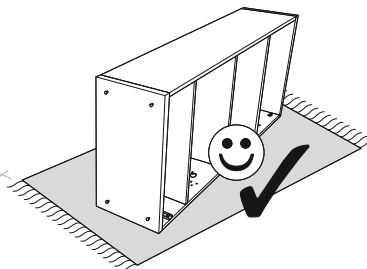
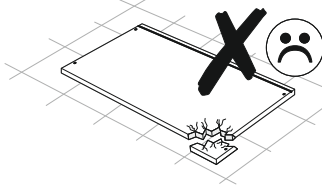
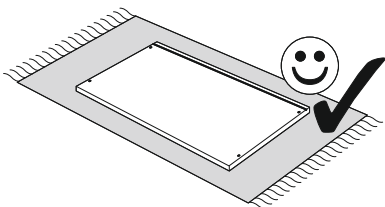
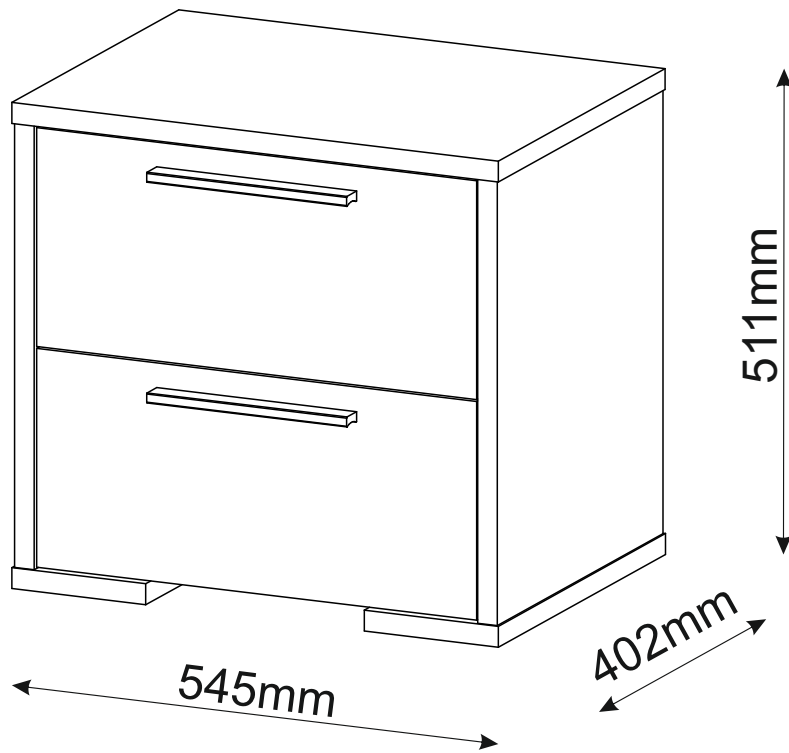
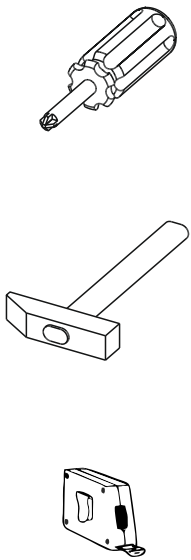
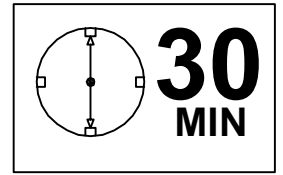
D10	4 x 16 mm	x2	P3		x2	T9		x2
------------	-----------	-----------	-----------	---	-----------	-----------	---	-----------

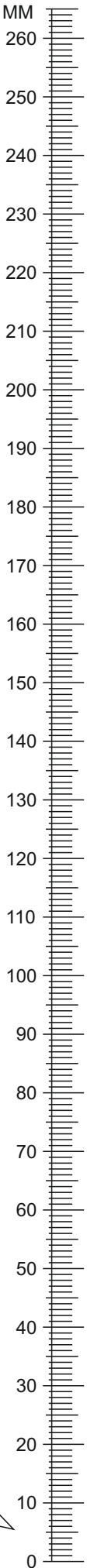




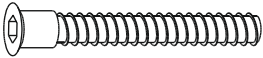

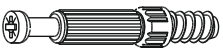






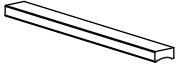
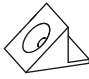
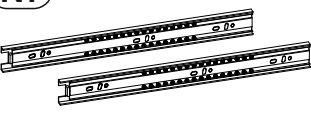


16 ▶

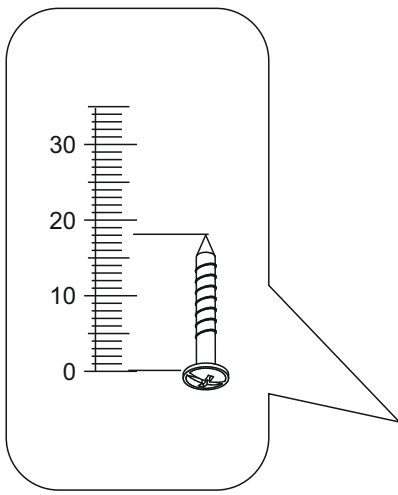
P3		x6
D14	4 x 35 mm	x8

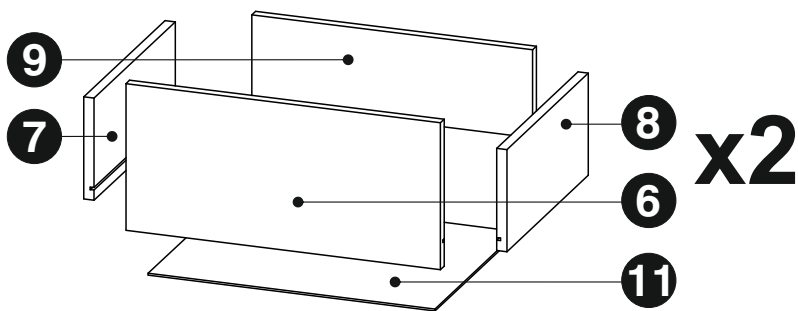
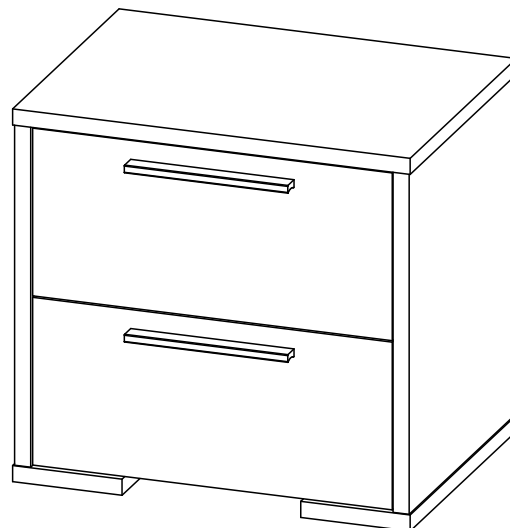
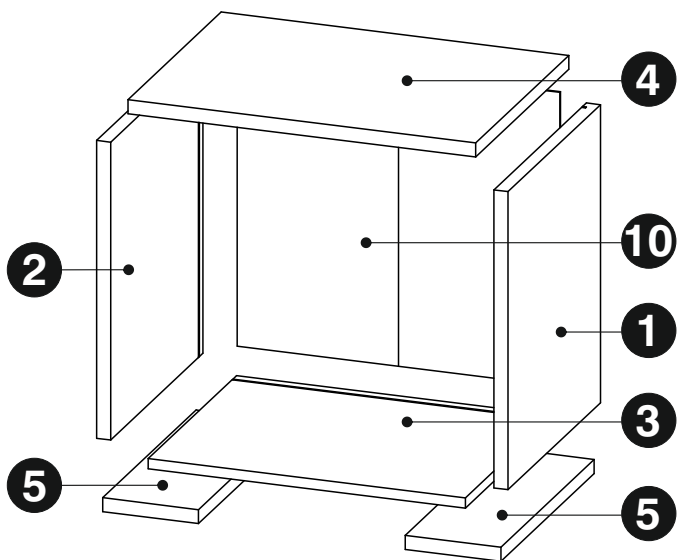





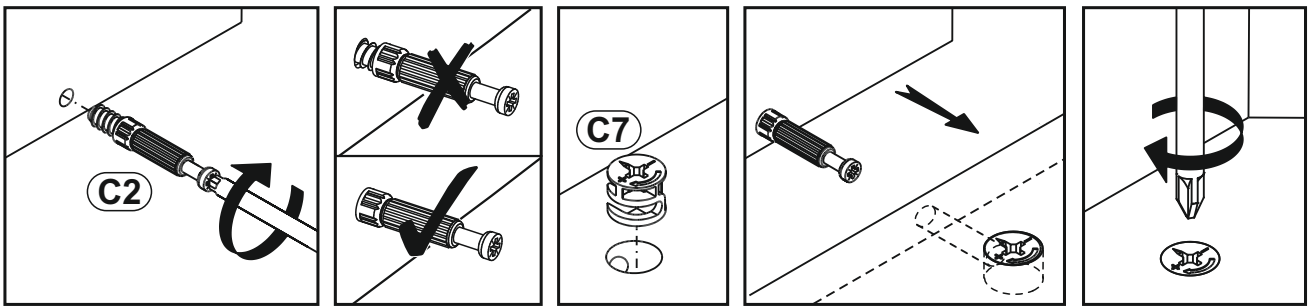


A0 8 x 30mm x24 	B0  x4	B1 7 x 50 mm x8 
C0  x8	C2  x12	C7 16mm  x12
D0 3 x 15 mm x16 	D16 4,2 x 28 mm x4 	D21 5 x 13 mm x28 
D26 5 x 33 mm x4 	K 4mm  x1	L24  x2
M1  x16	N7 L-350  x2	T8  x12
U2  x4		






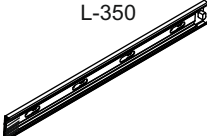


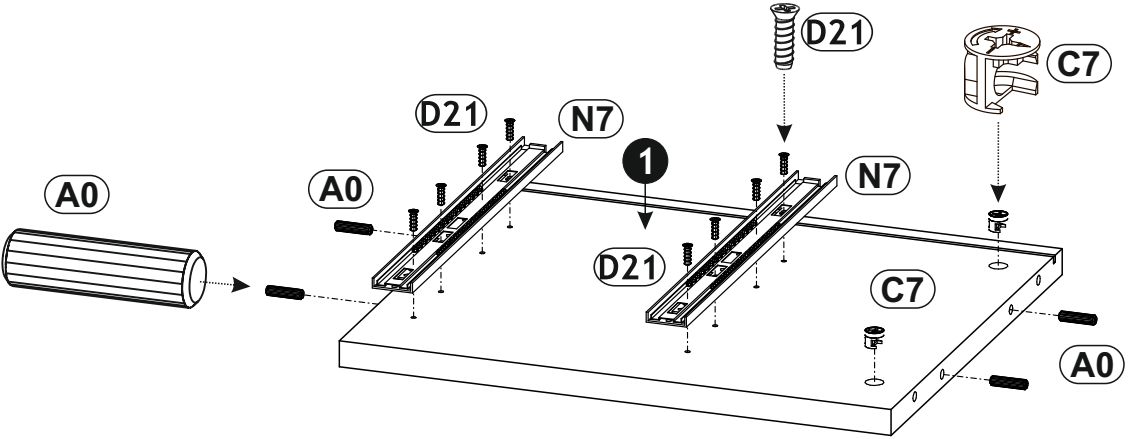
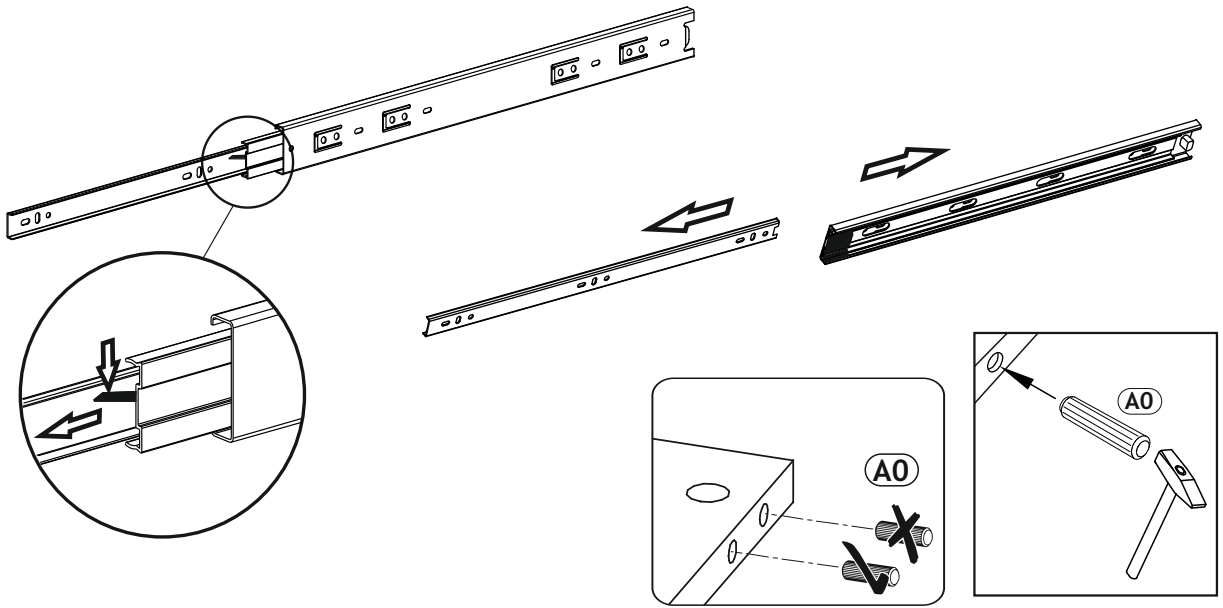
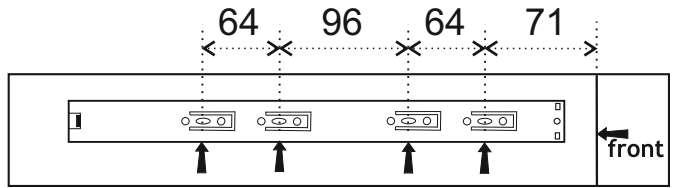
1	467	398	22	x1	1/2
2	467	398	22	x1	1/2
3	497	380	16	x1	1/2
4	545	401	22	x1	1/2
5	402	150	22	x2	1/2
6	493	230	16	x2	2/2
7	350	160	16	x2	1/2
8	350	160	16	x2	1/2
9	440	138	16	x2	1/2
10	506	461	3	x1	1/2
11	355	450	3	x2	1/2
					1/2



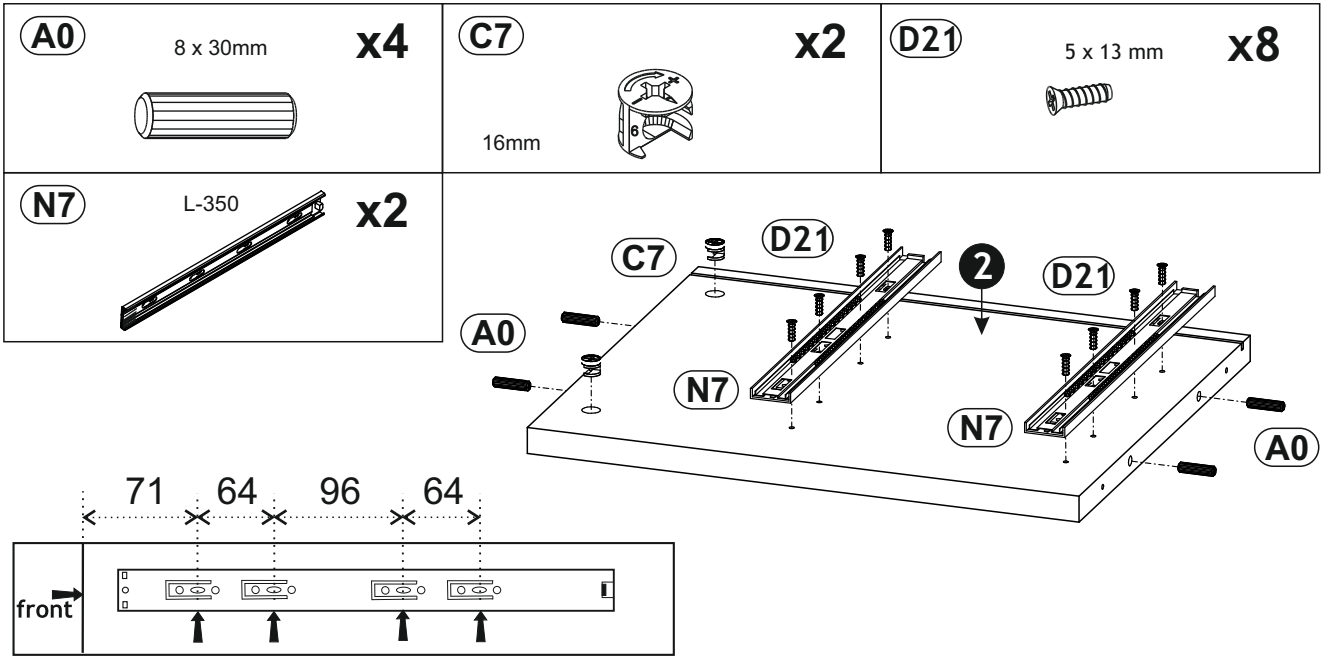
1 ▶

<p>A0 8 x 30mm x4</p> 	<p>C7 x2</p> <p>16mm</p> 	<p>D21 5 x 13 mm x8</p> 
---	--	---

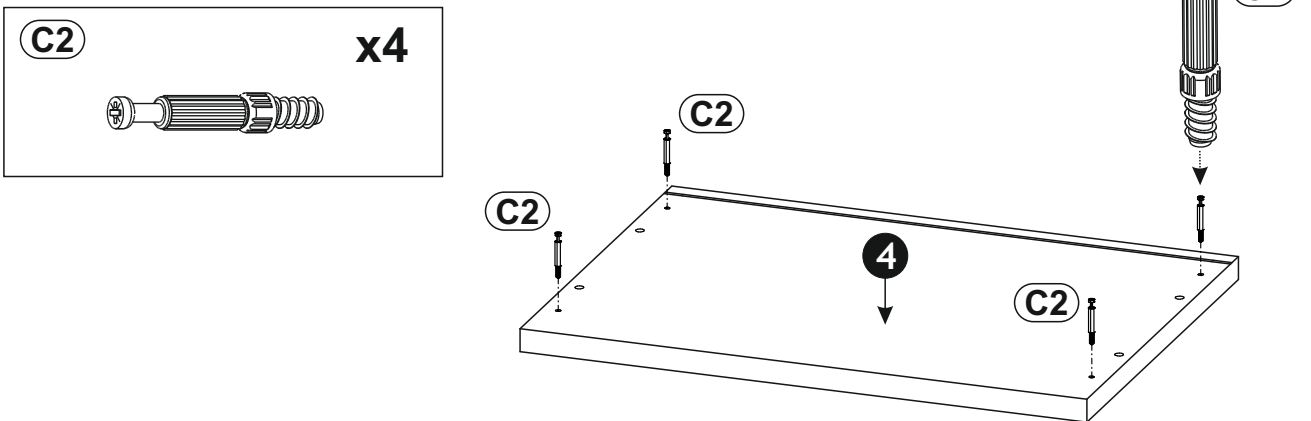
<p>N7 L-350 x2</p> 
--



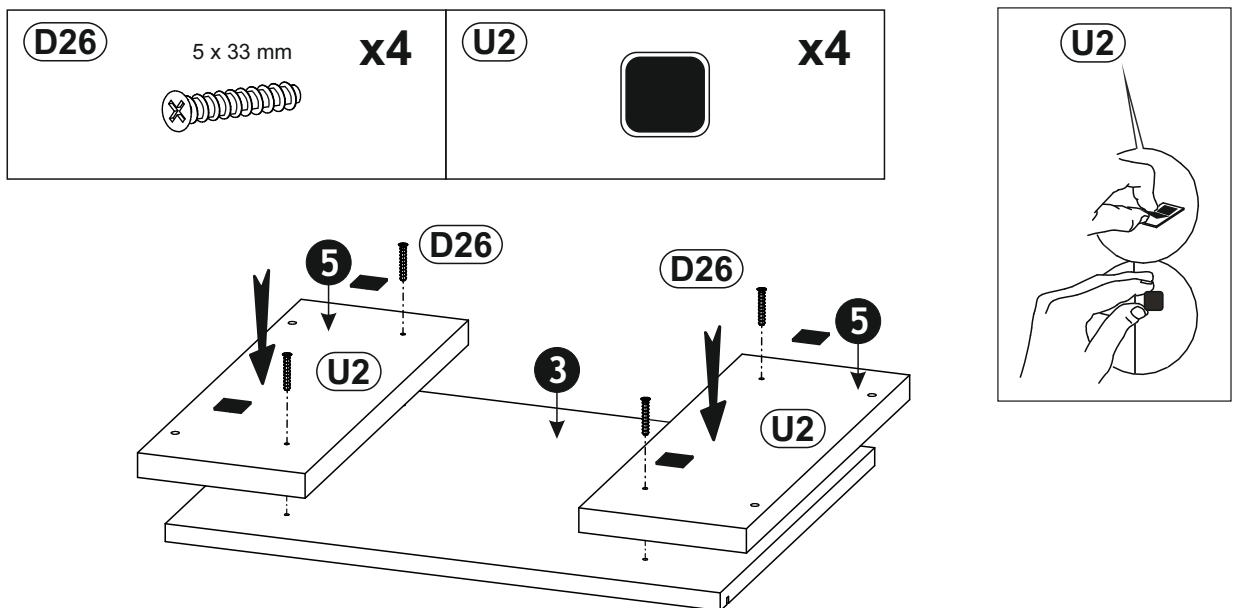
2 ▶



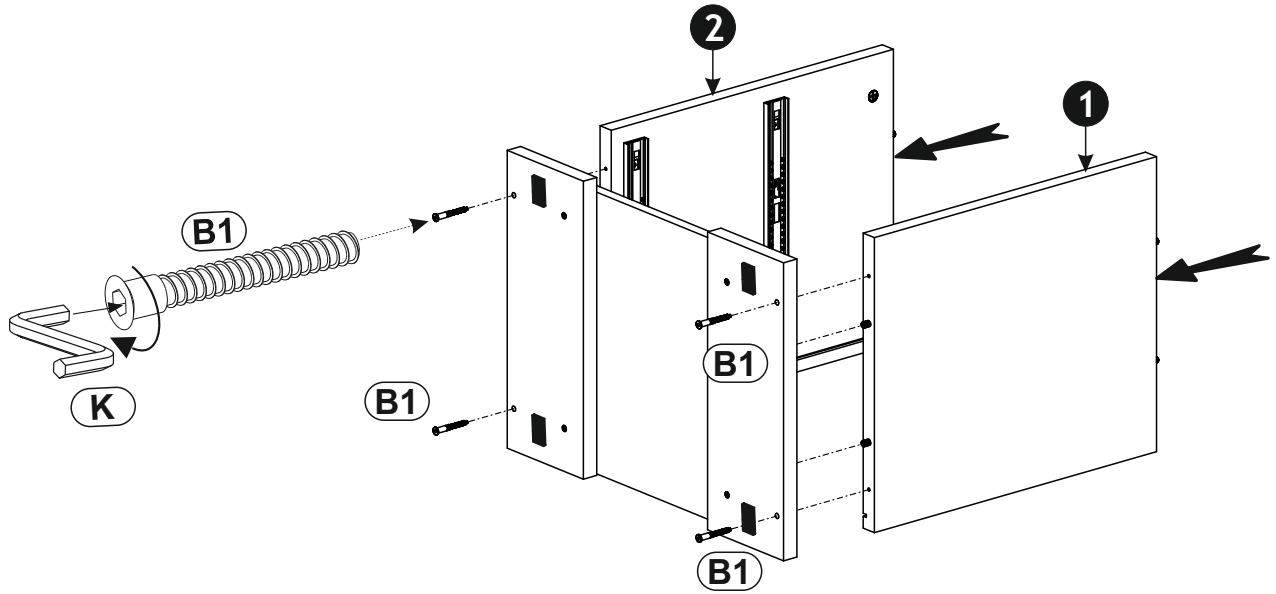
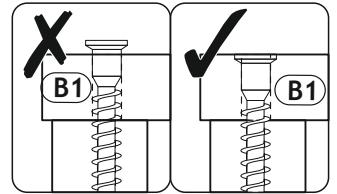
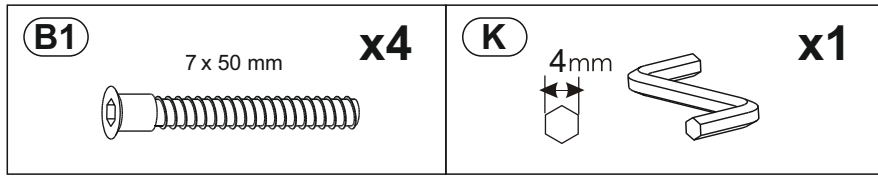
3 ▶



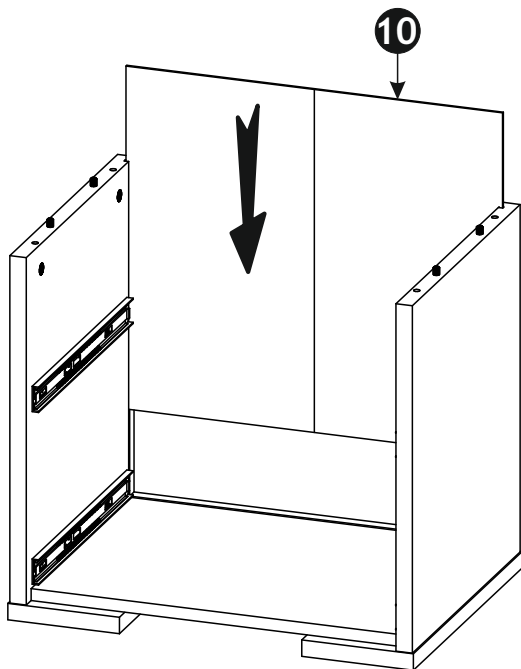
4 ▶



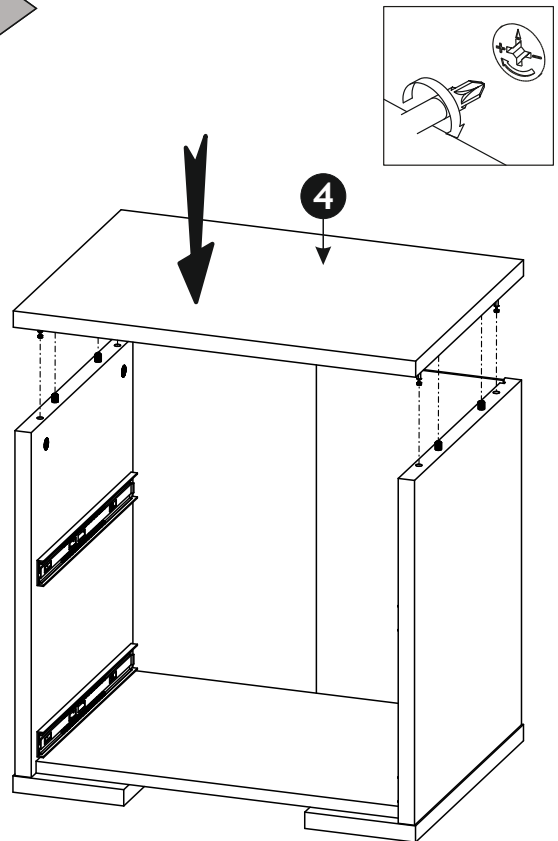
5 ▶




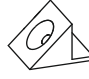
6 ▶

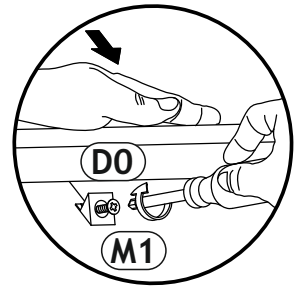
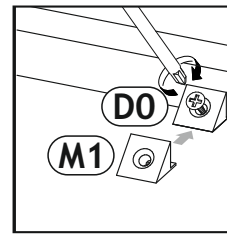
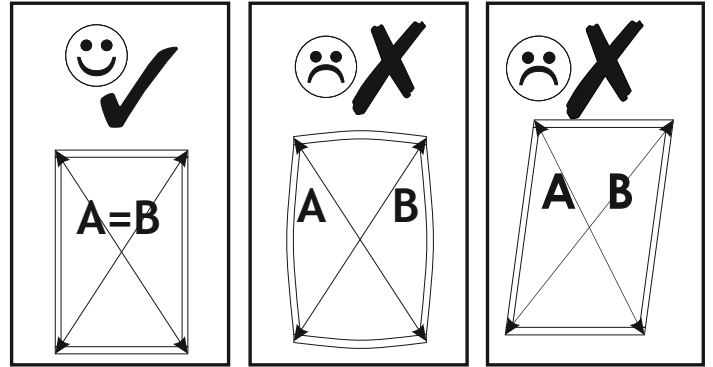
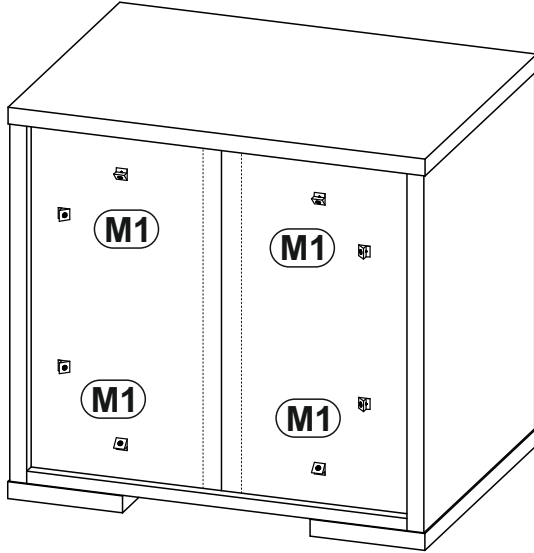


7 ▶





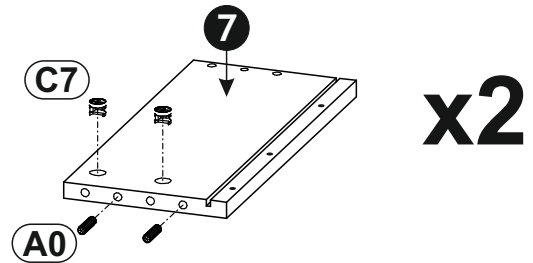
8 ▶

(D0)	3 x 15 mm	x8	(M1)		x8
					

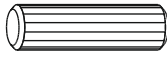



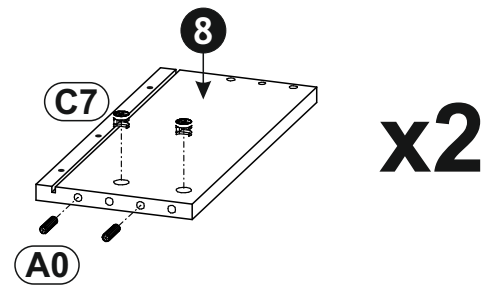
9 ▶

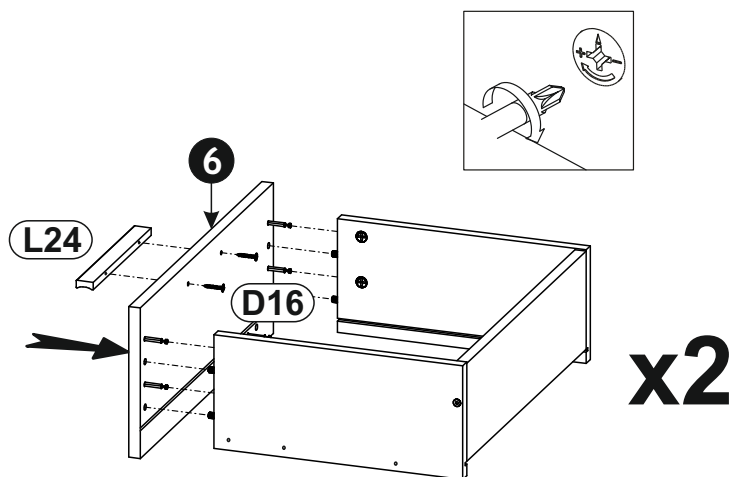
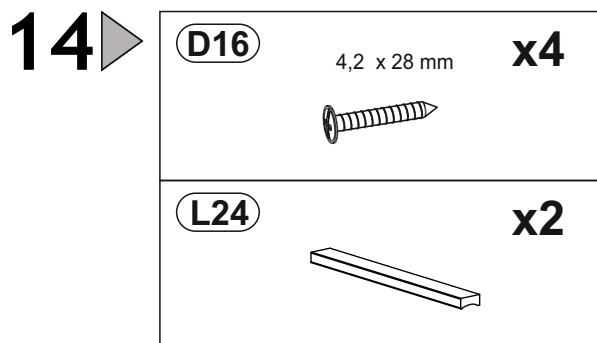
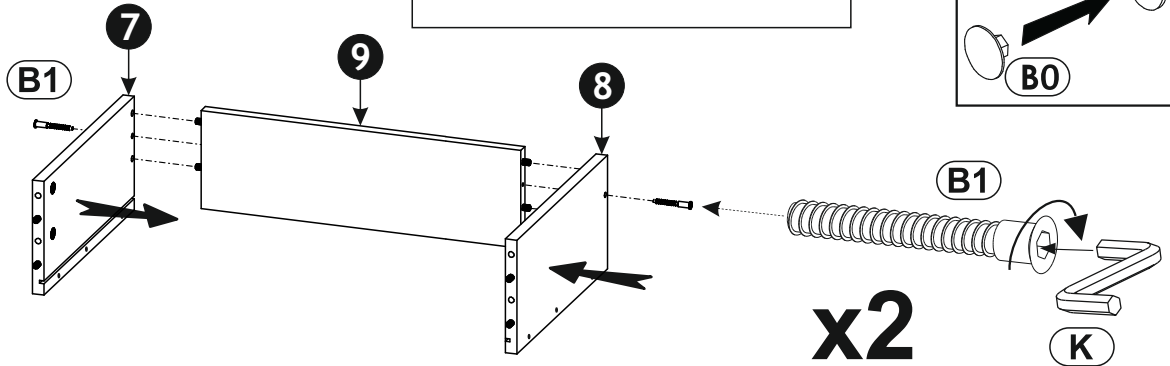
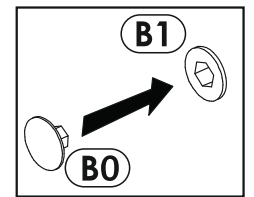
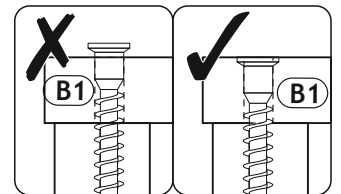
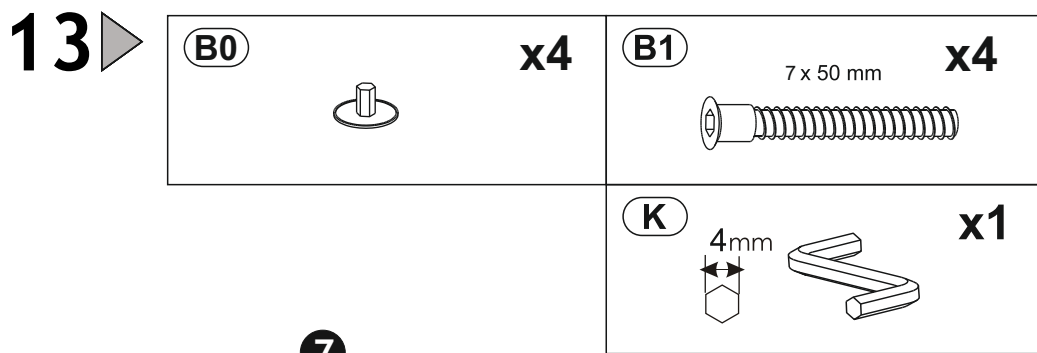
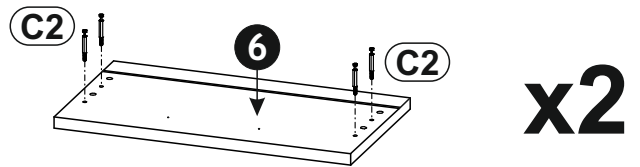
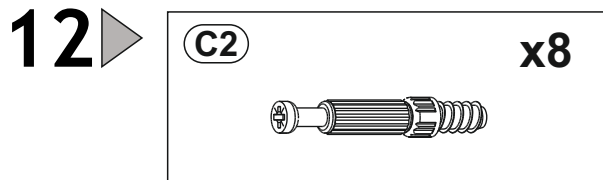
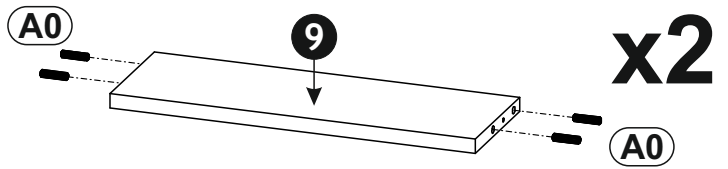
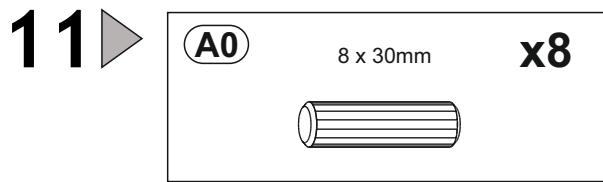
(A0)	8 x 30mm	x4		
				
(C7)		x4		
	16mm 			



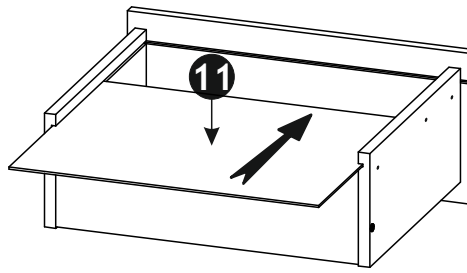
10 ▶

(A0)	8 x 30mm	x4		
				
(C7)		x4		
	16mm 			




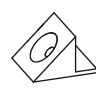



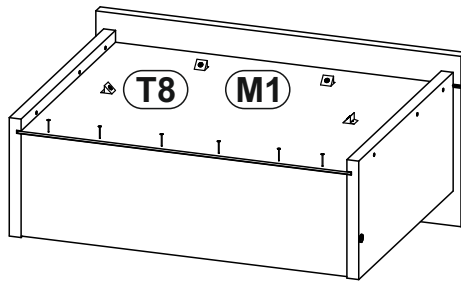
15 ▶



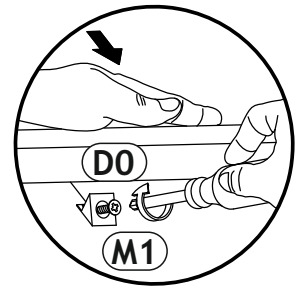
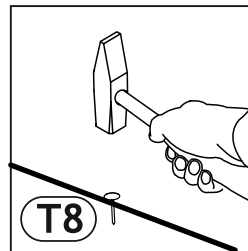
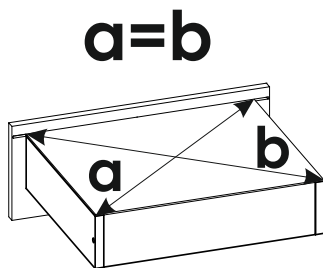
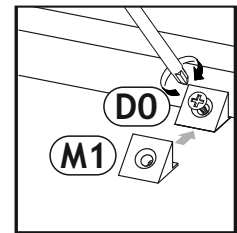
x2

16 ▶


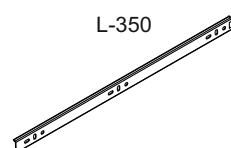
<p>(D0) 3 x 15 mm x8</p> 	<p>(M1) x8</p> 	<p>(T8) x12</p> 
--	--	---

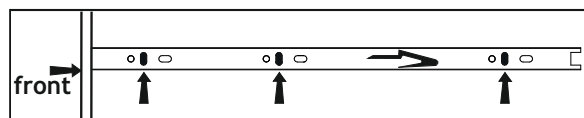
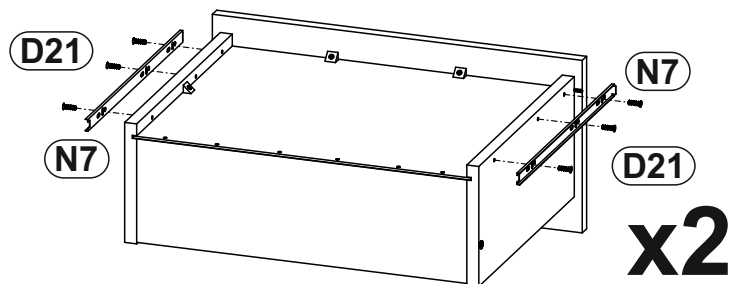


x2

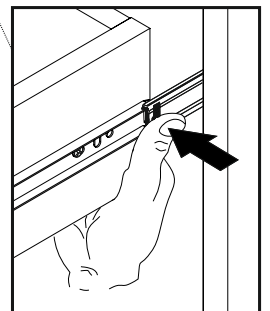
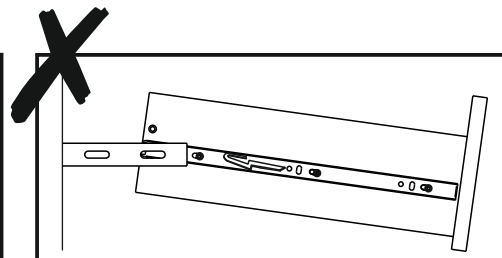
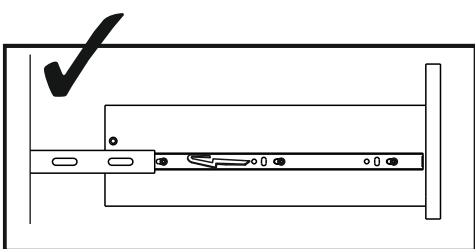
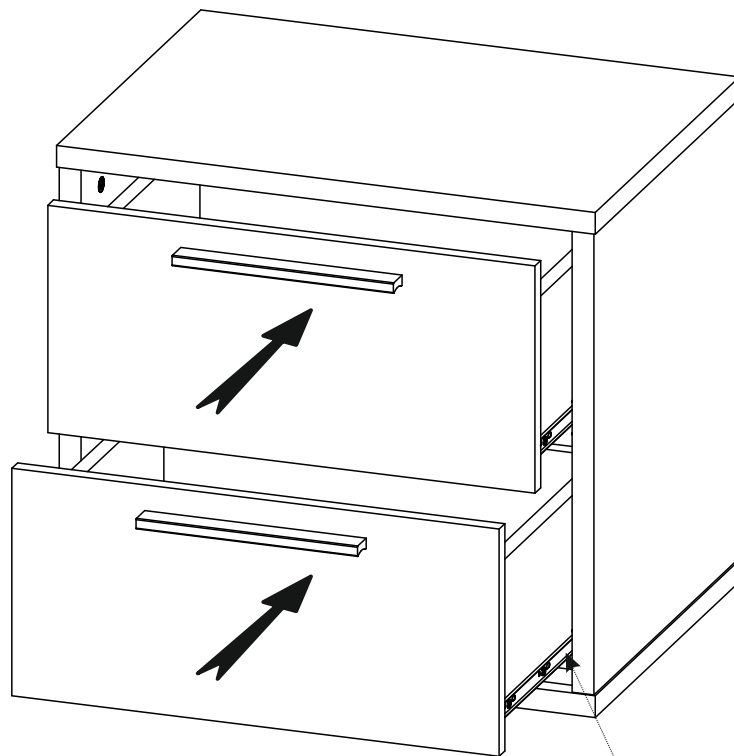
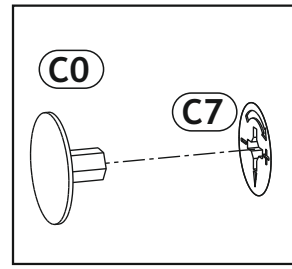
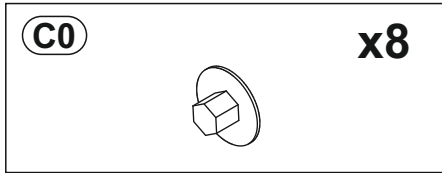


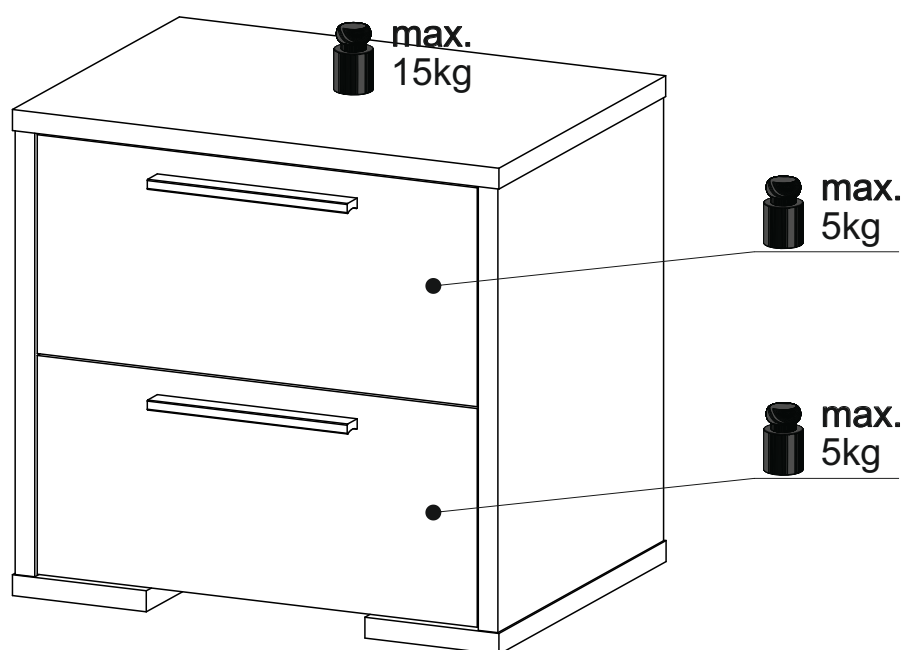
17 ▶

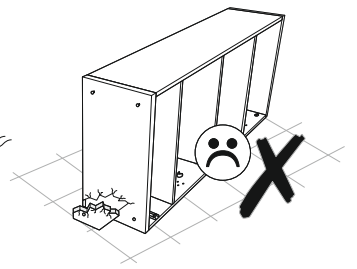
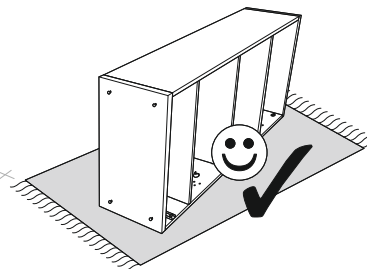
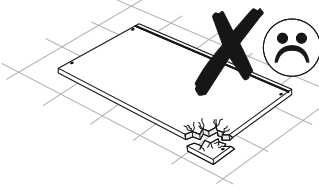
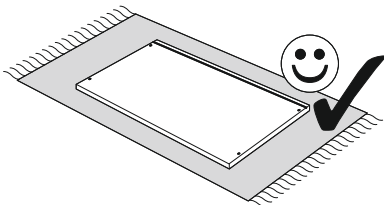
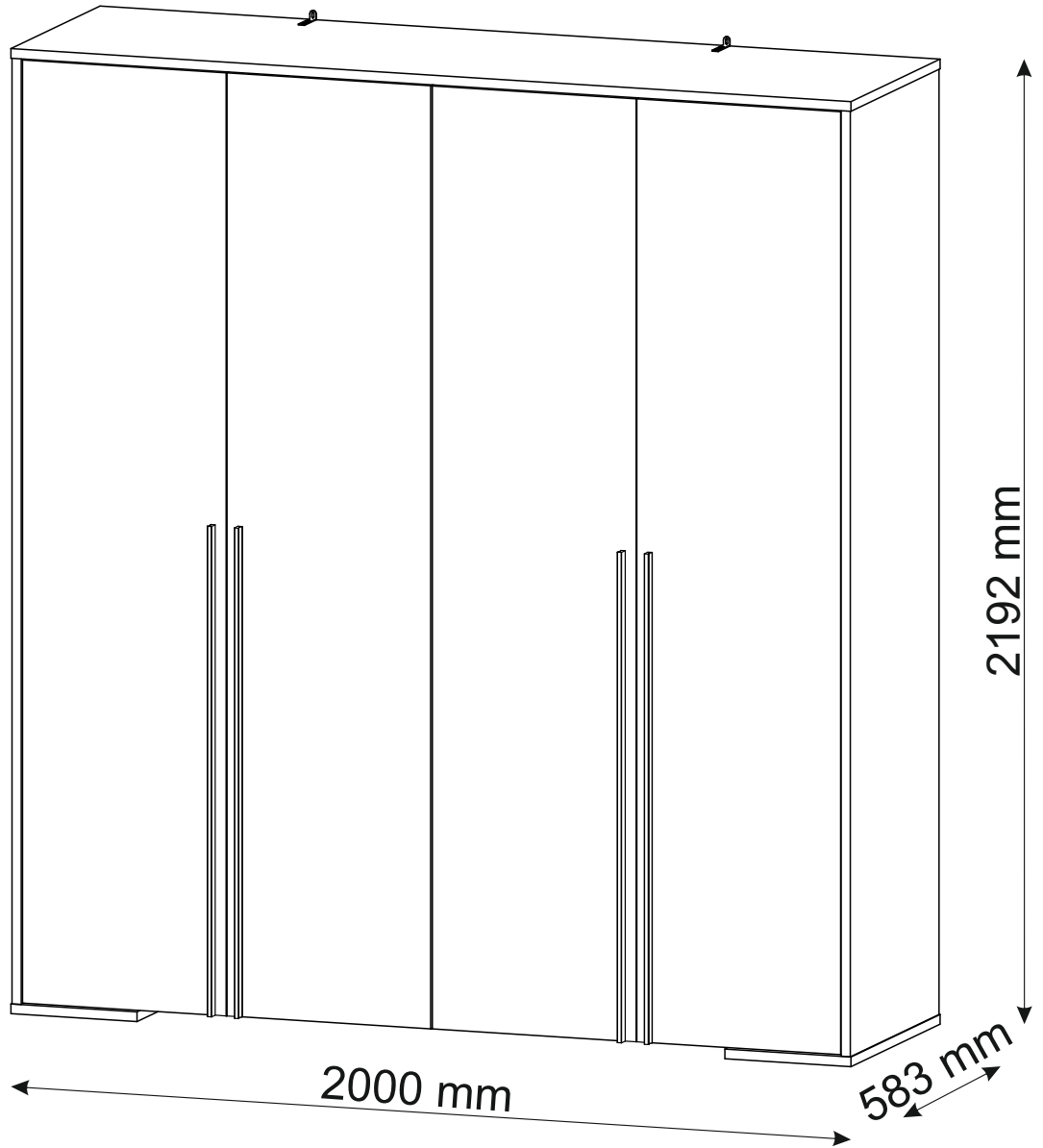
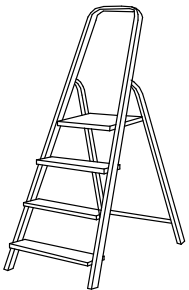
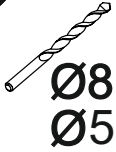
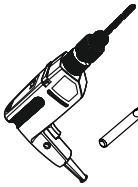
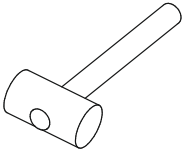
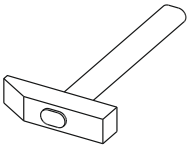
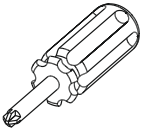
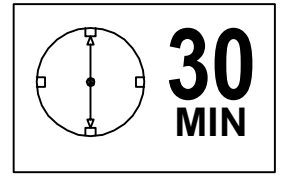
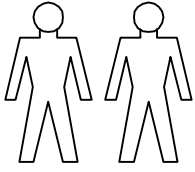
<p>(D21) 5 x 13 mm x12</p> 	<p>(N7) L-350 x4</p> 
--	--



18 ▶









MM

260

250

240

230

220

210

200

190

180

170

160

150

140

130

120

110

100

90

80

70

60

50

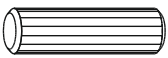








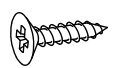


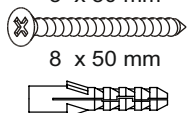

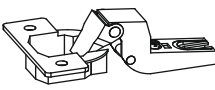
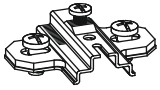

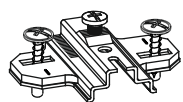

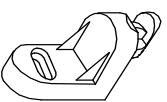
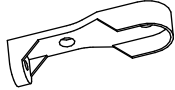




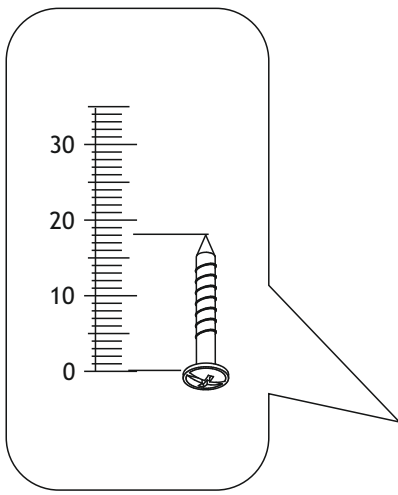
40

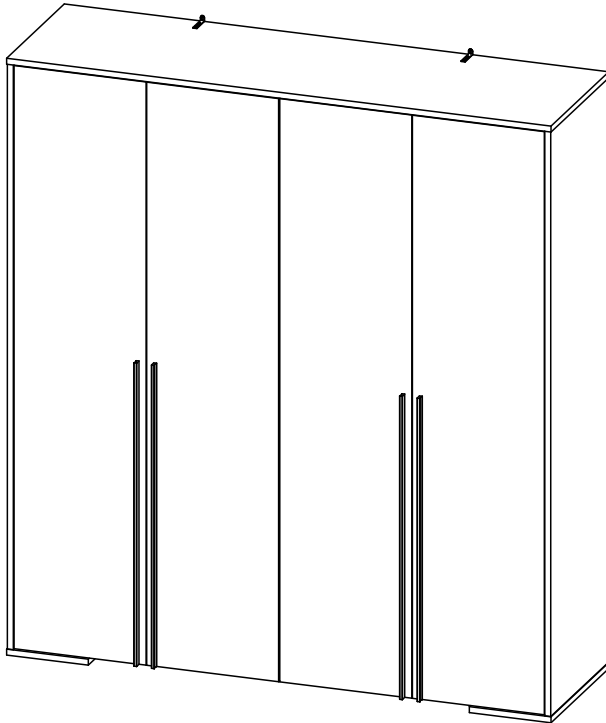
30


20

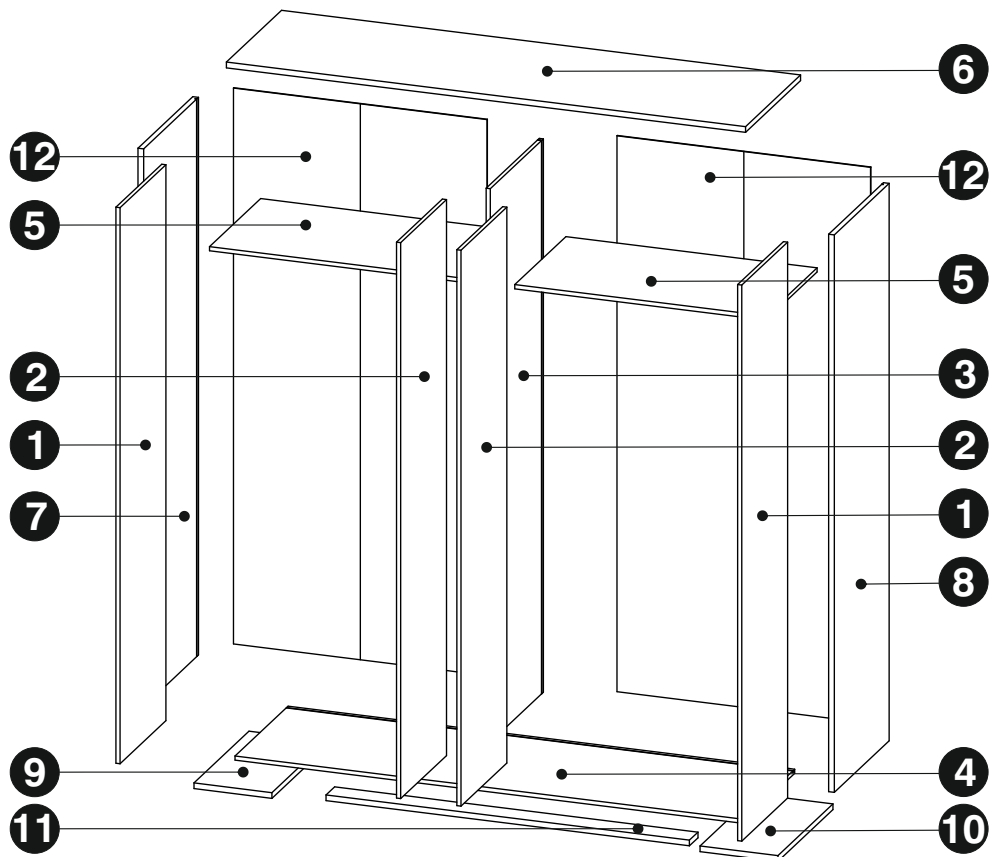
10

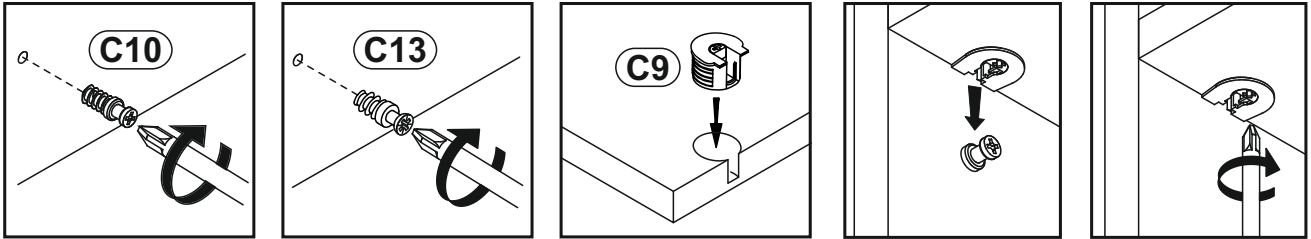
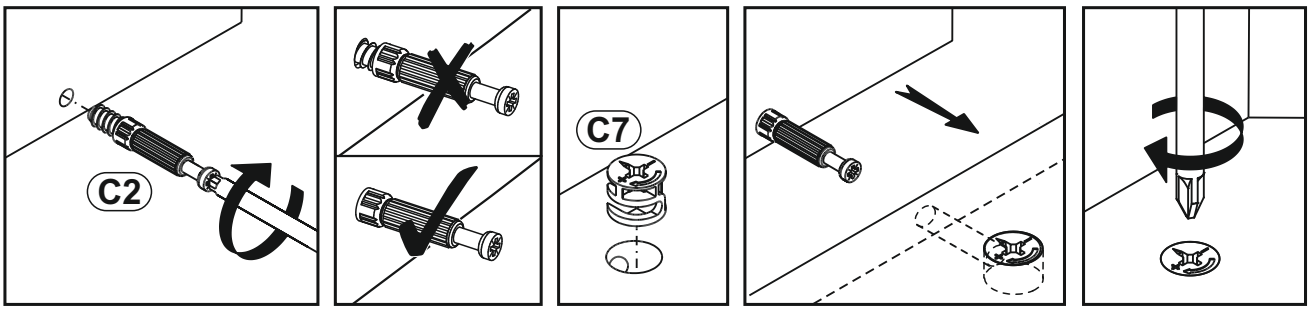
0

A0 8 x 30mm 	x16	C0 	x4	C0 	x8
C2 	x12	C7 16mm 	x12	C9 	x8
C10 6,3 x 20 mm 	x4	C13 6,3 x 16 mm 	x4	D5 3,5 x 16 mm 	x8
D10 4 x 16 mm 	x44	D16 4,2 x 28 mm 	x20	D26 5 x 33 mm 	x8
E0 5 x 50 mm 8 x 50 mm 	x2	H2 4 x 22 mm 	x4	J4 	x8
J6 	x8	J20 	x8	J21 	x8
L25 	x4	M2 	x12	O1 	x4
P0 	x2	S0 L-960 	x2	U0 	x8
U2 	x10				



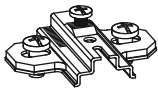
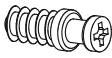


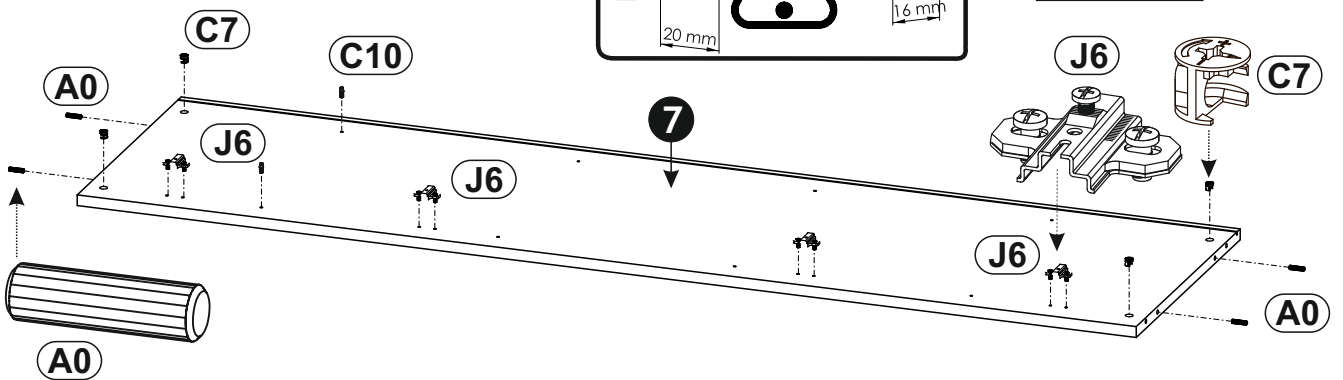
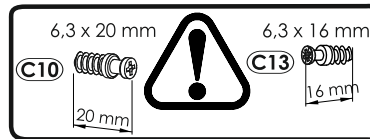
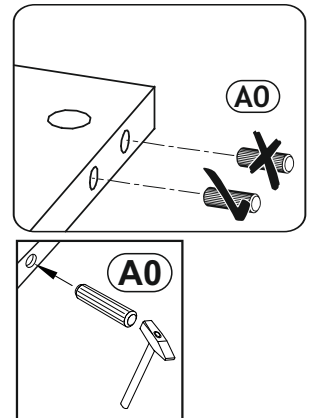
1	2142	485	16	x2	5/6
2	2142	485	16	x2	6/6
3	2132	562	16	x1	1/6
4	1952	562	16	x1	2/6
5	968	541	16	x2	4/6
6	2000	583	22	x1	2/6
7	2148	580	22	x1	1/6
8	2148	580	22	x1	3/6
9	583	300	22	x1	4/6
10	583	300	22	x1	4/6
11	1400	90	22	x1	3/6
12	2142	977	3	x2	3/6
					4/6





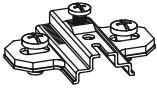
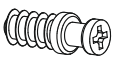


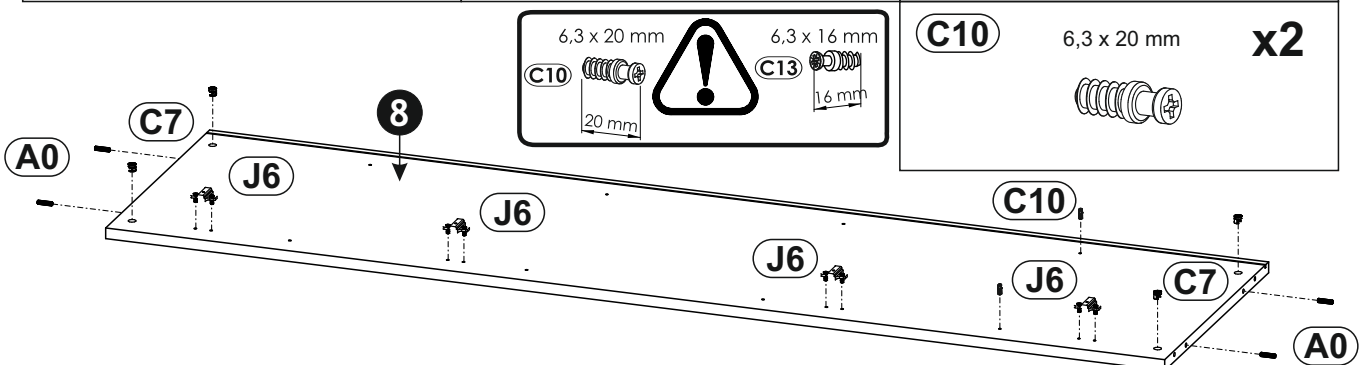
1 ▶

A0 8 x 30mm 	x4	C7 16mm 	x4
J6 	x4	C10 6,3 x 20 mm 	x2

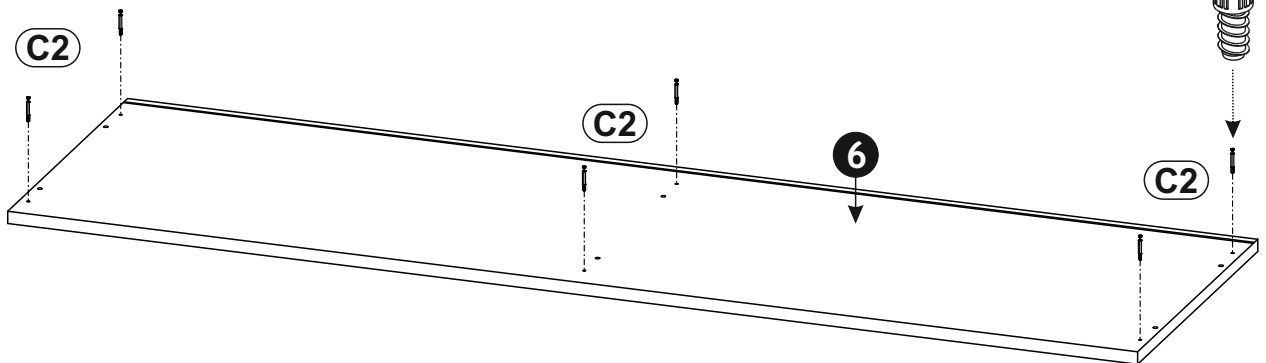
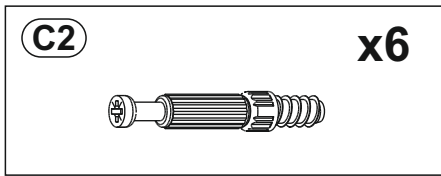


2 ▶

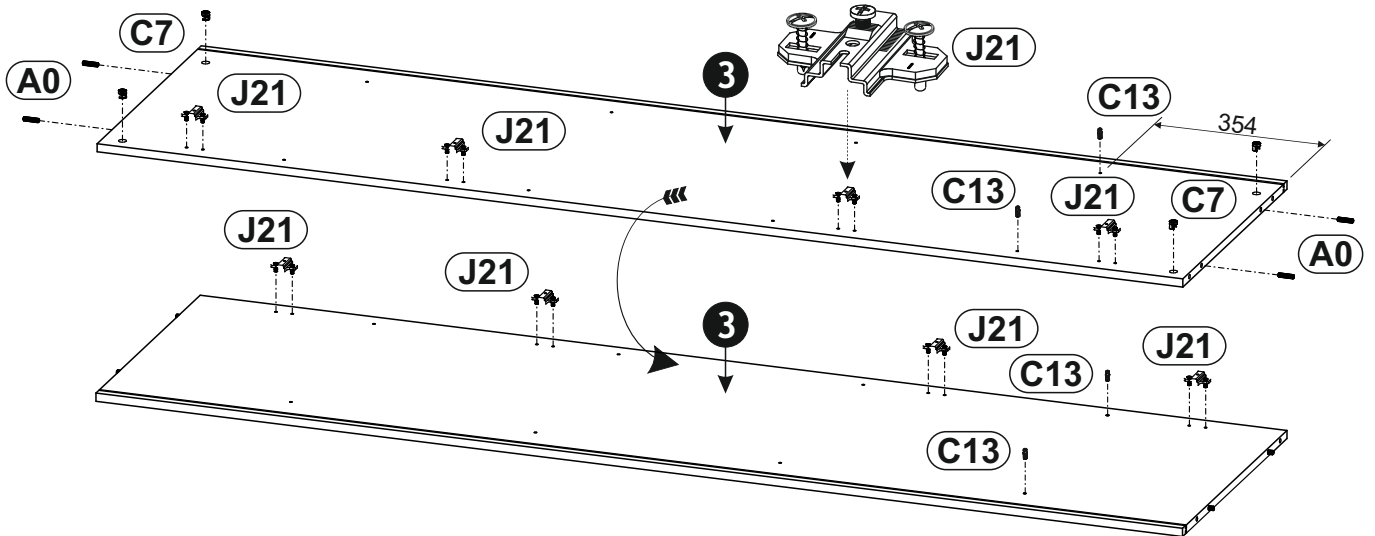
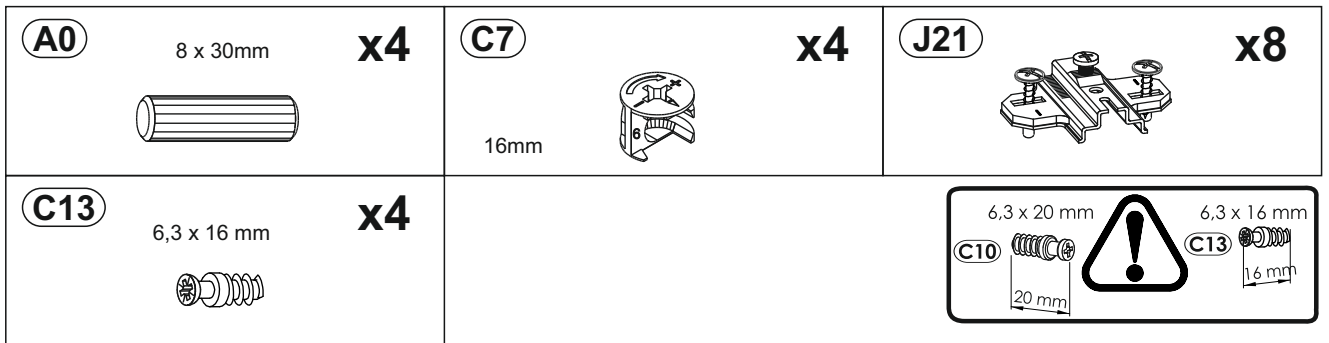
A0 8 x 30mm 	x4	C7 16mm 	x4	J6 	x4
		C10 6,3 x 20 mm 		x2	



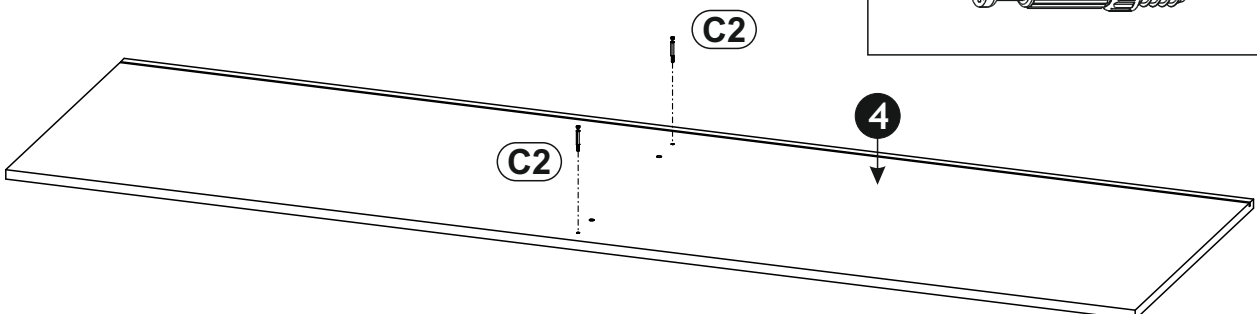
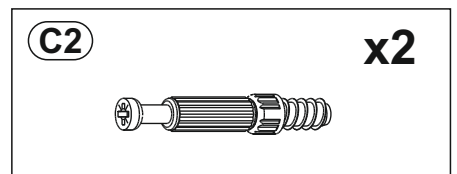
3 ▶

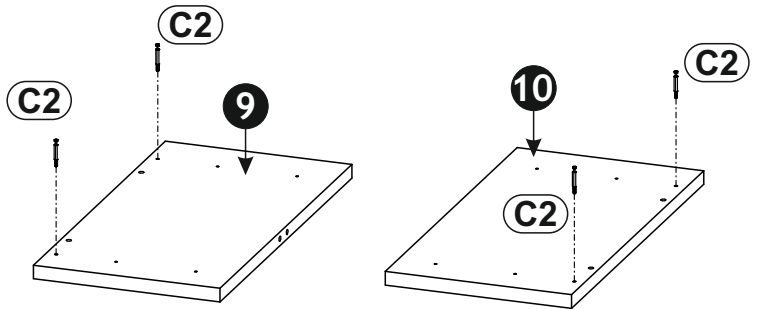
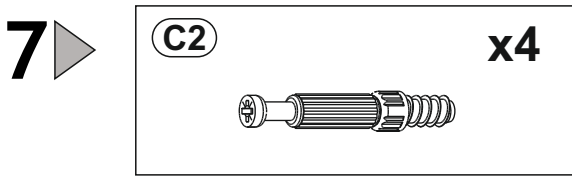
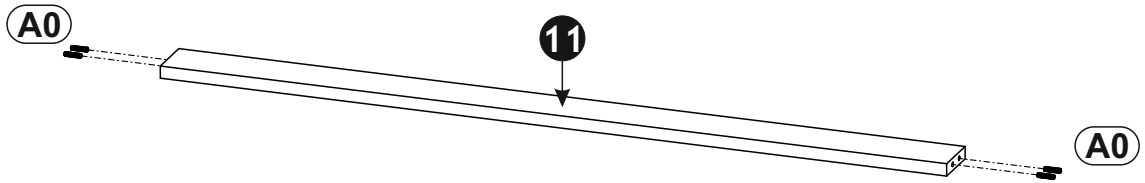
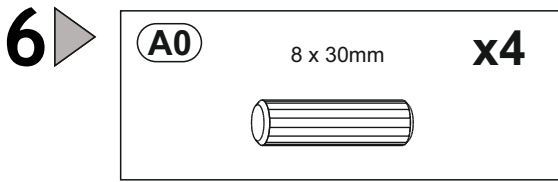


4 ▶

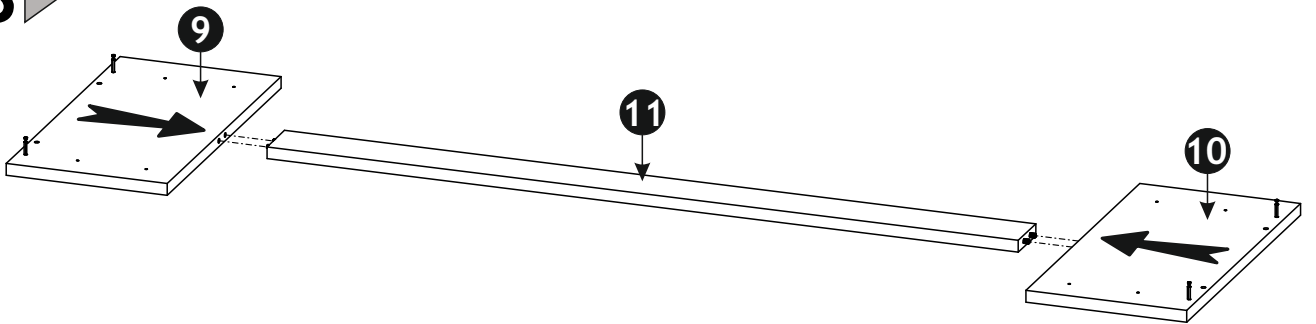


5 ▶

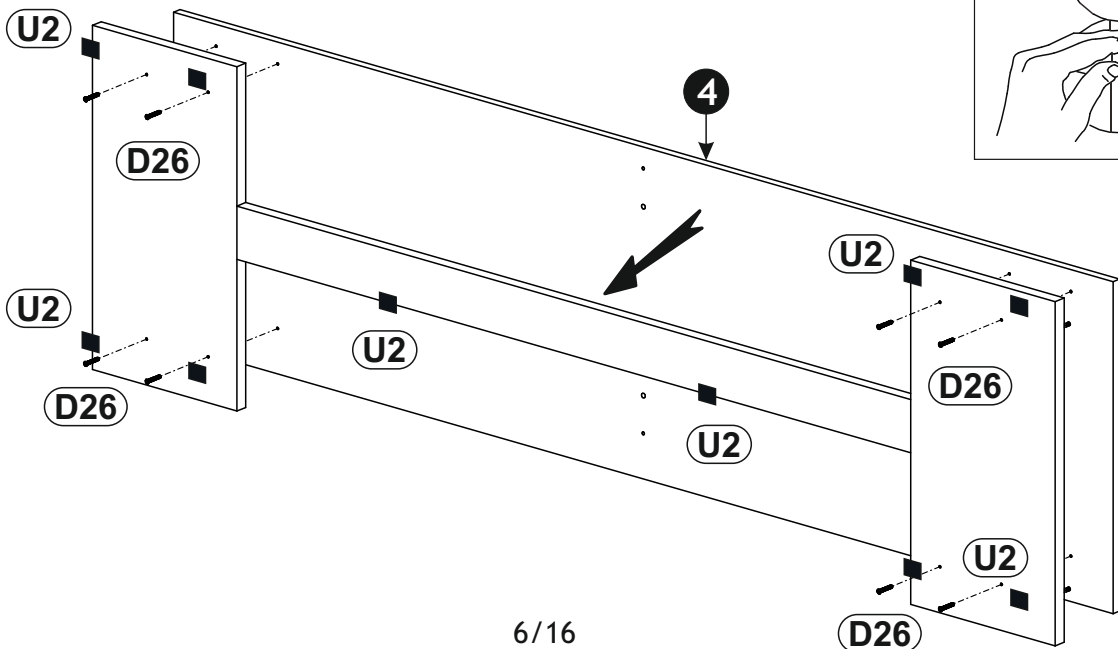
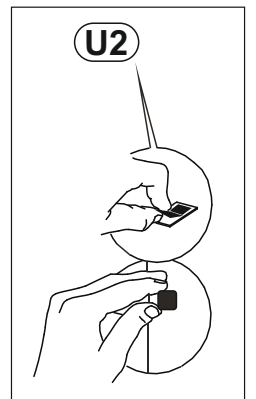
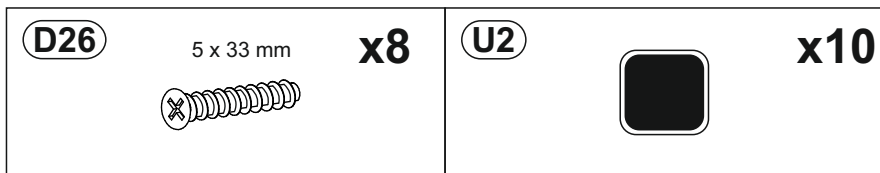






8 ▶

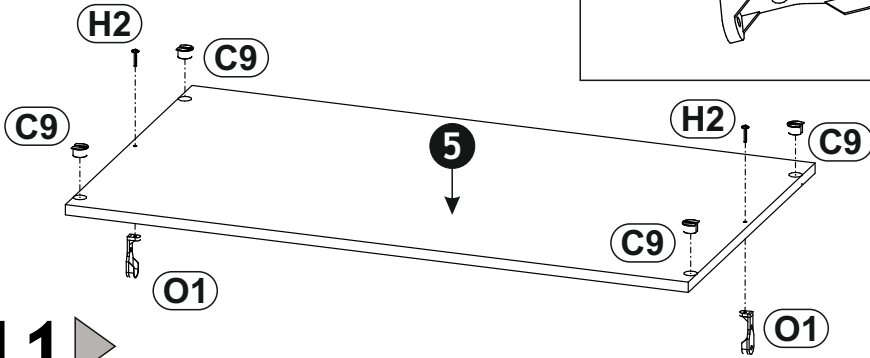
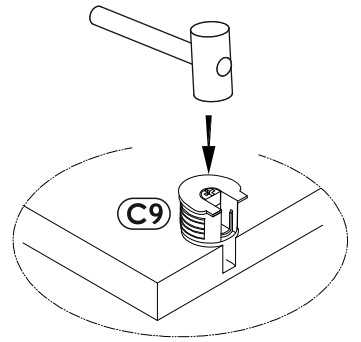


9 ▶






10 ▶

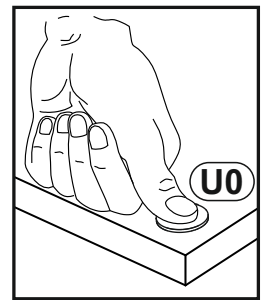
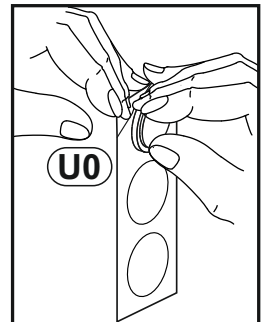
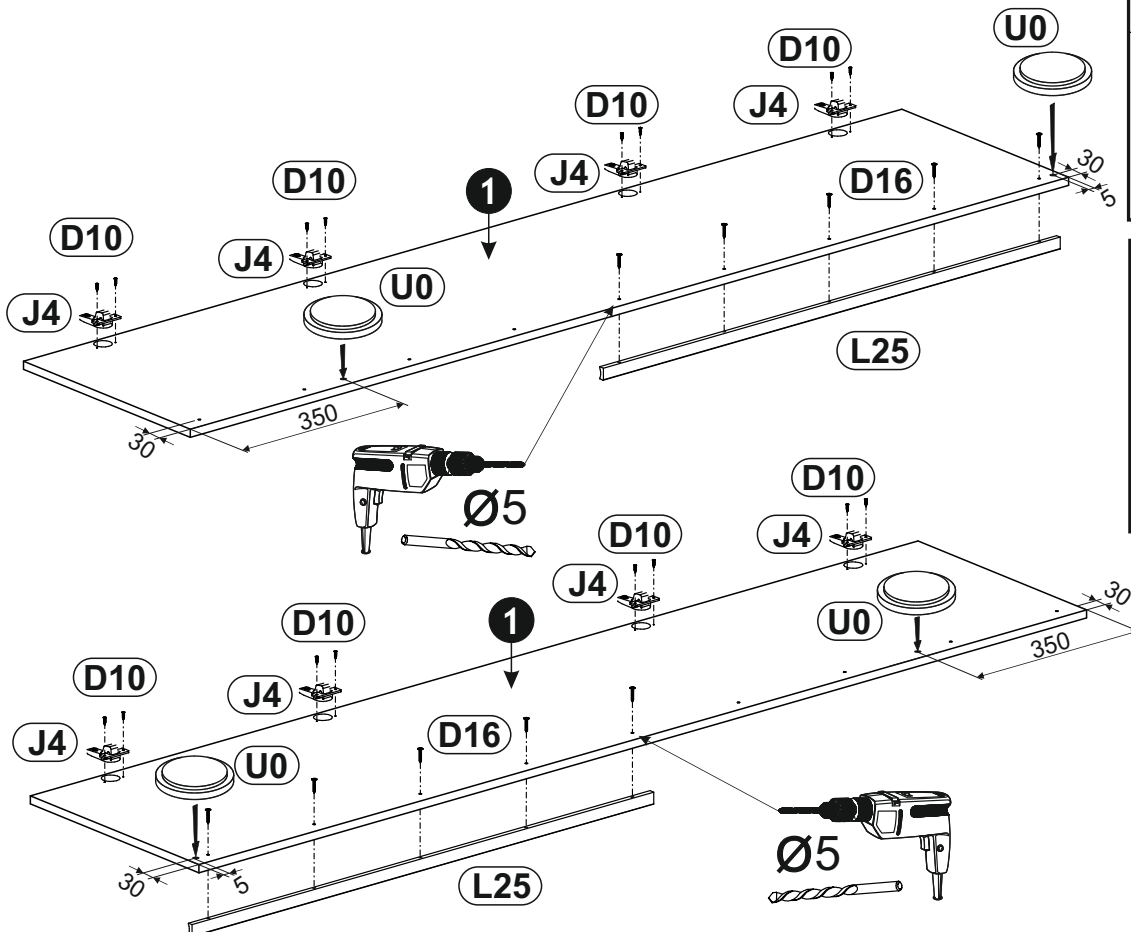
C9		x8	H2	4 x 22 mm	x4
			O1		x4



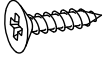




x2

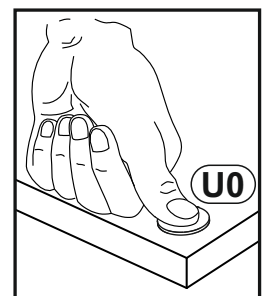
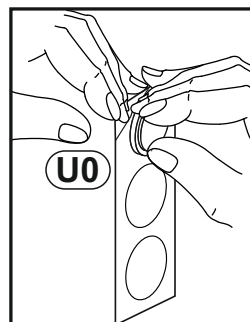
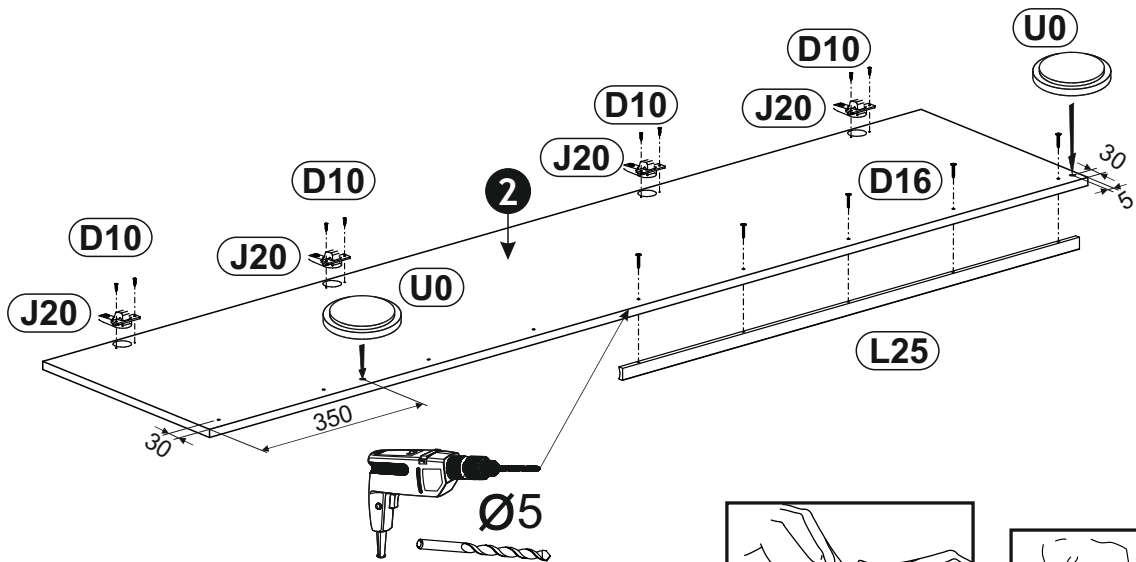
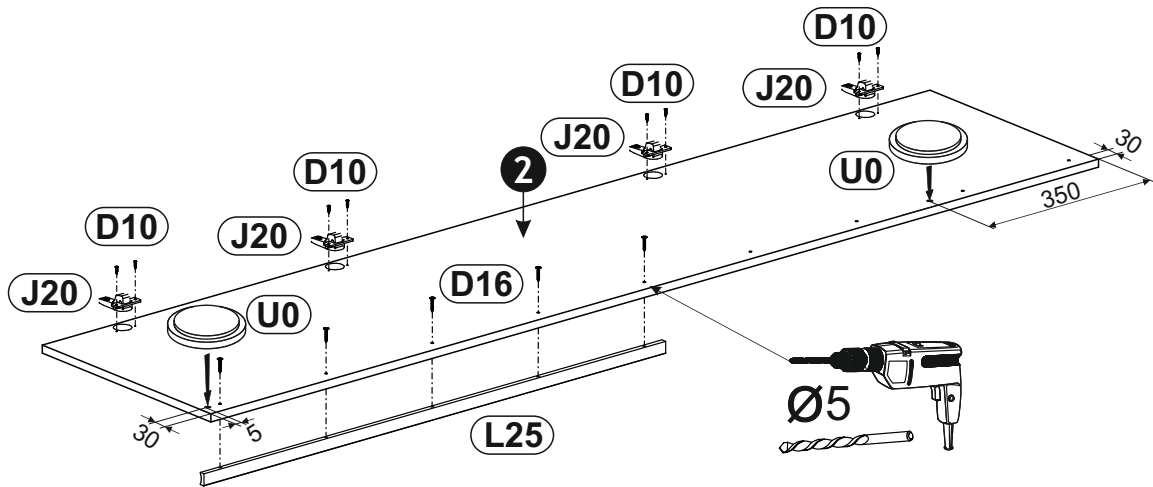
11 ▶

D10	4 x 16 mm	x16	D16	4,2 x 28 mm	x10	J4		x8
L25		x2	U0		x4			

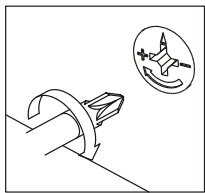
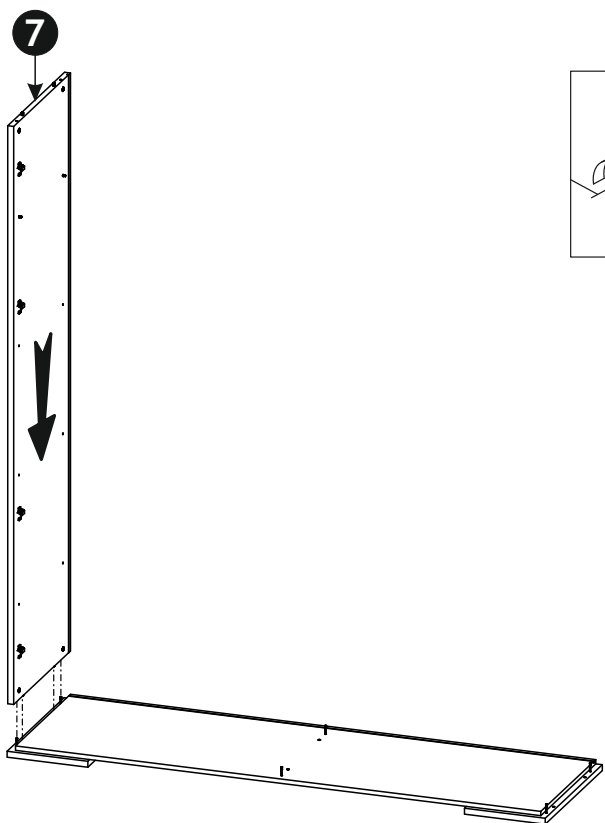


12 ▶

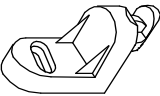
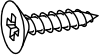
D10 4 x 16 mm x16 	D16 4,2 x 28 mm x10 	J20 x8 
L25 x2 	U0 x4 	

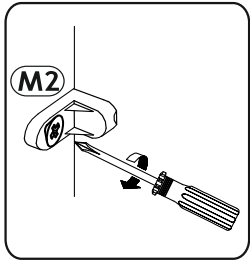
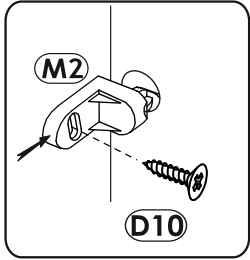
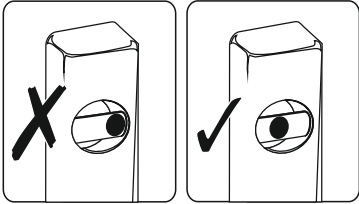
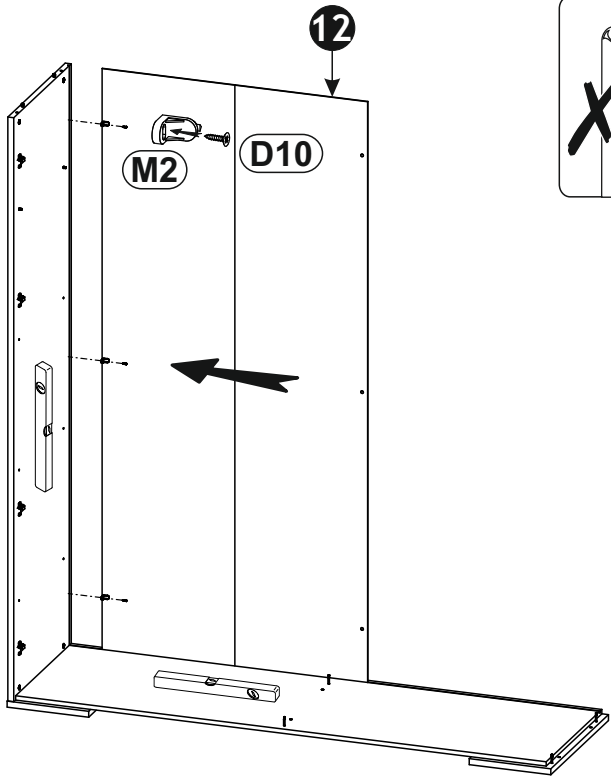


13 ▶

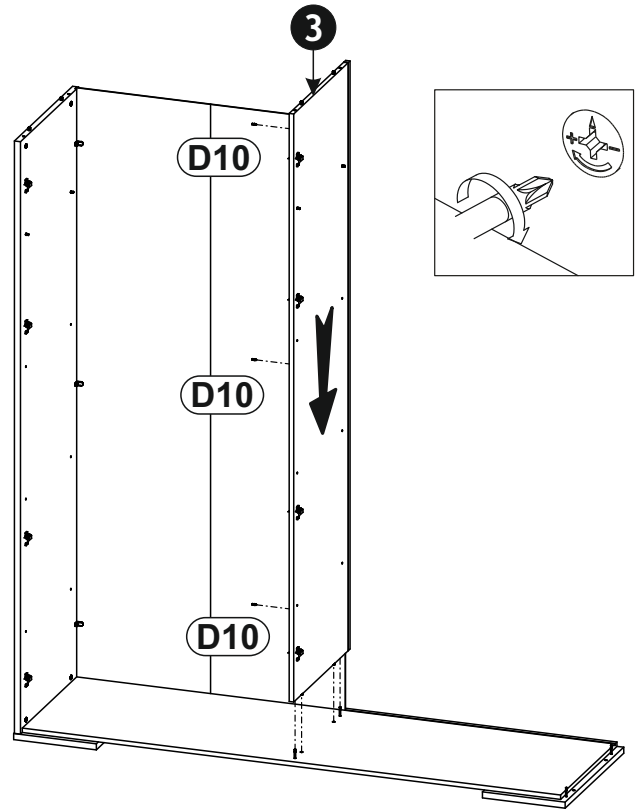
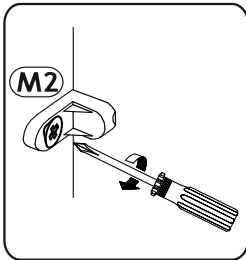
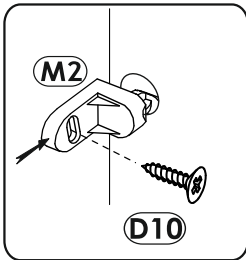
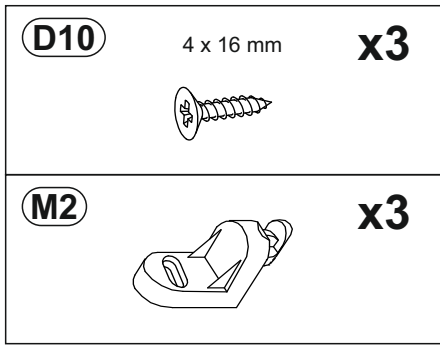


14 ▶

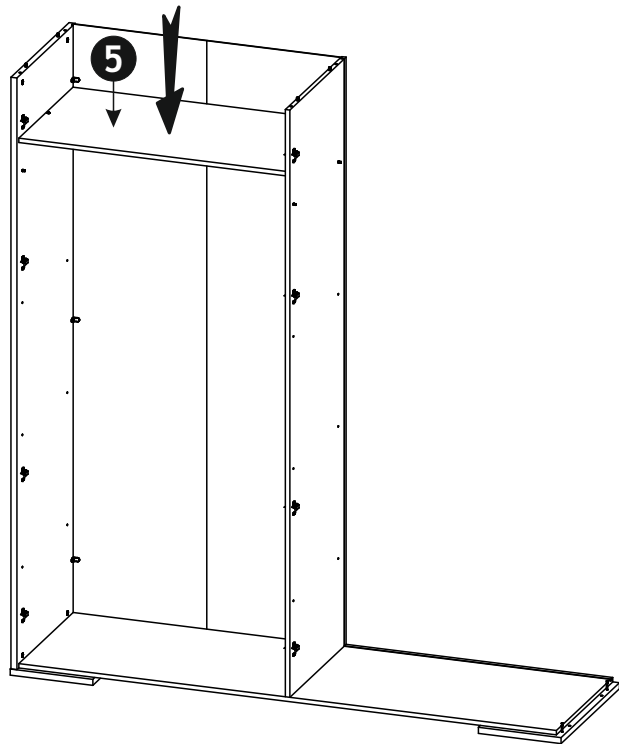
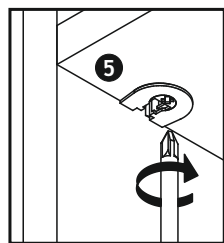
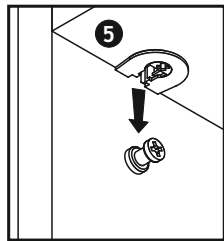
D10	4 x 16 mm	x3	M2		x3
					



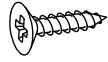
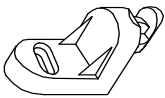
15 ▶

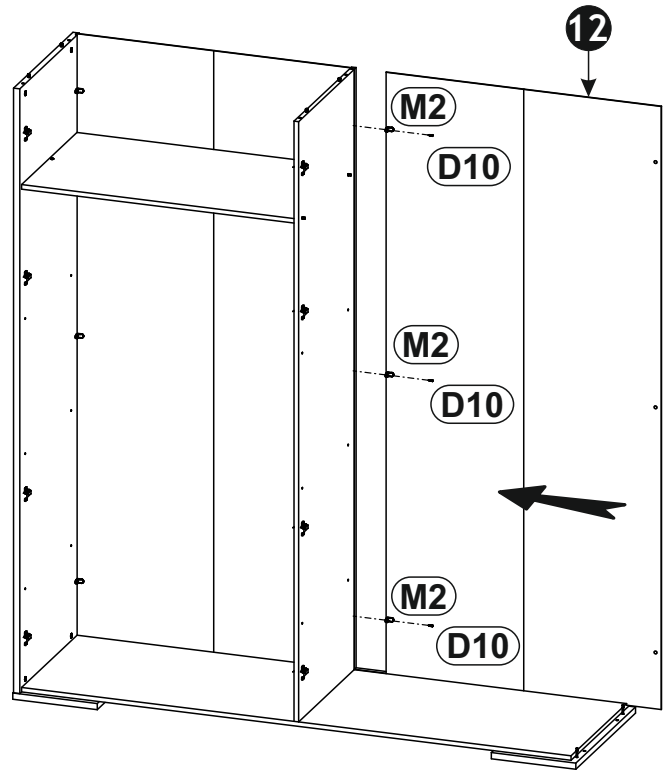
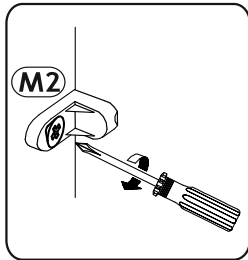
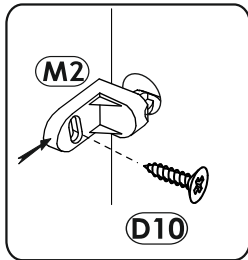


16 ▶

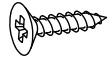
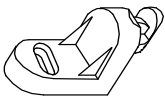


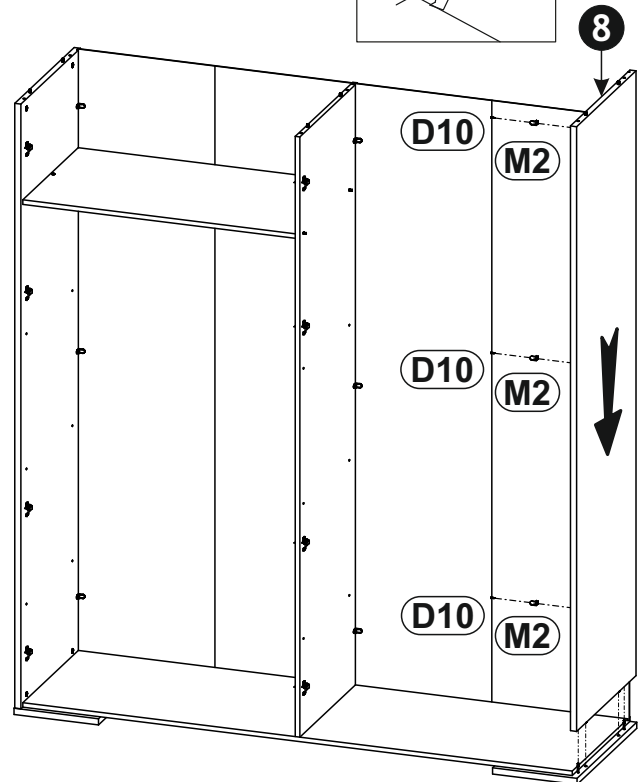
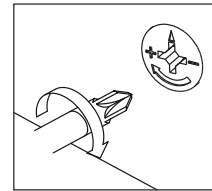
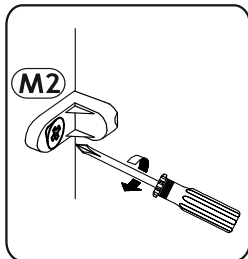
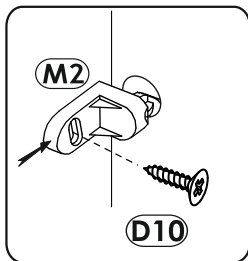
17▶

D10	4 x 16 mm	x3
		
M2		x3
		

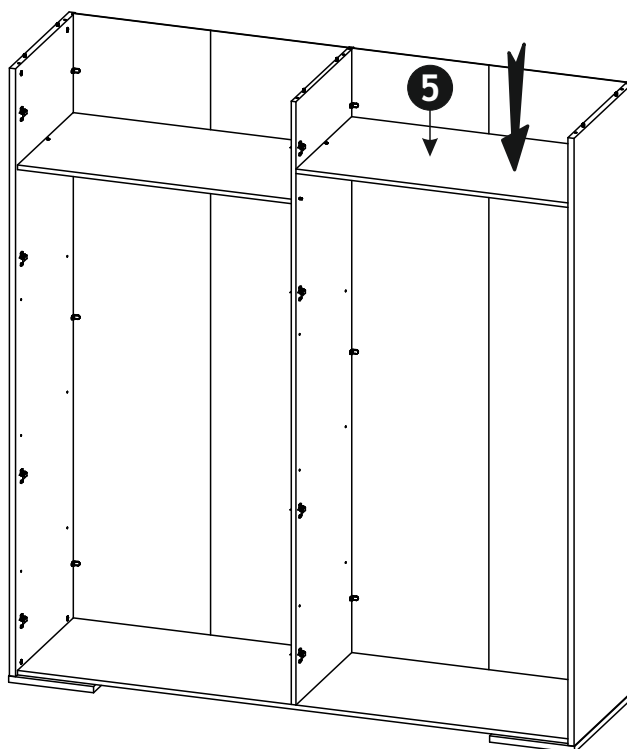
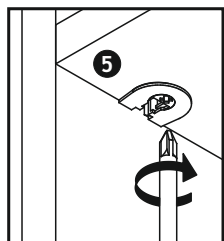
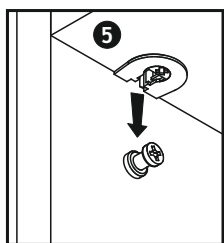


18▶

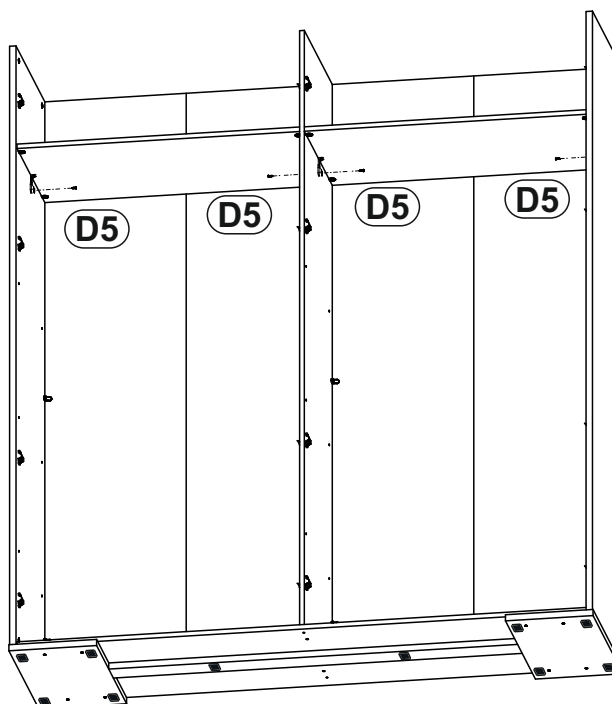
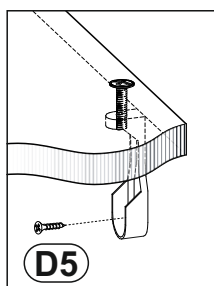
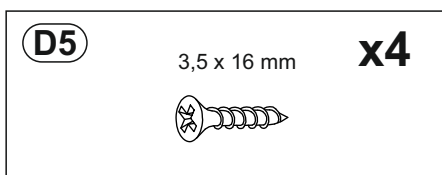
D10	4 x 16 mm	x3
		
M2		x3
		




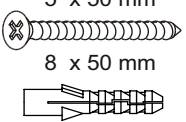
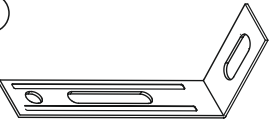
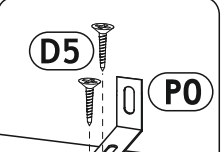
19 ▶

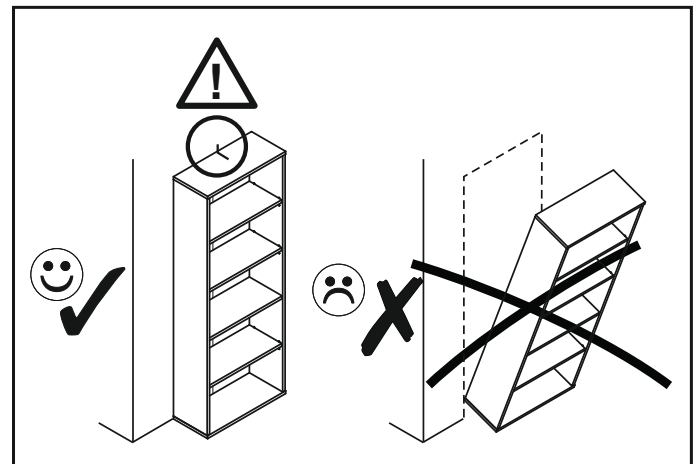
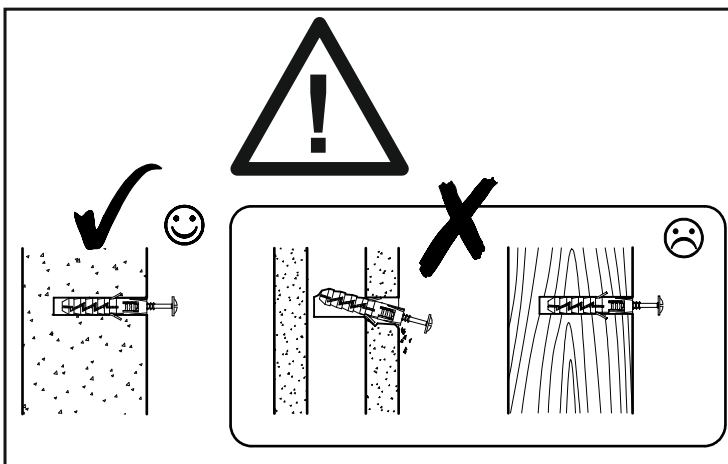
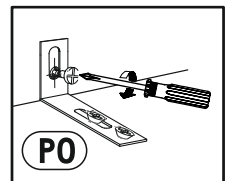
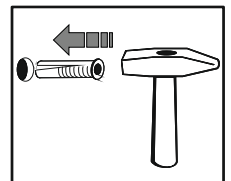
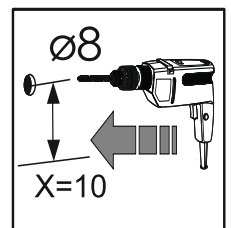
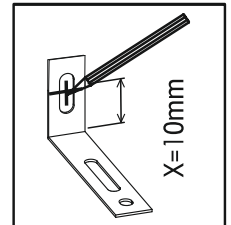
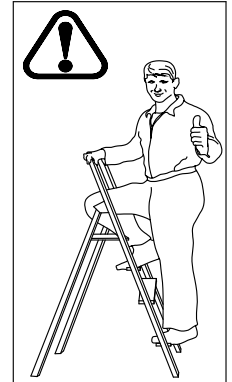
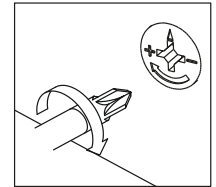
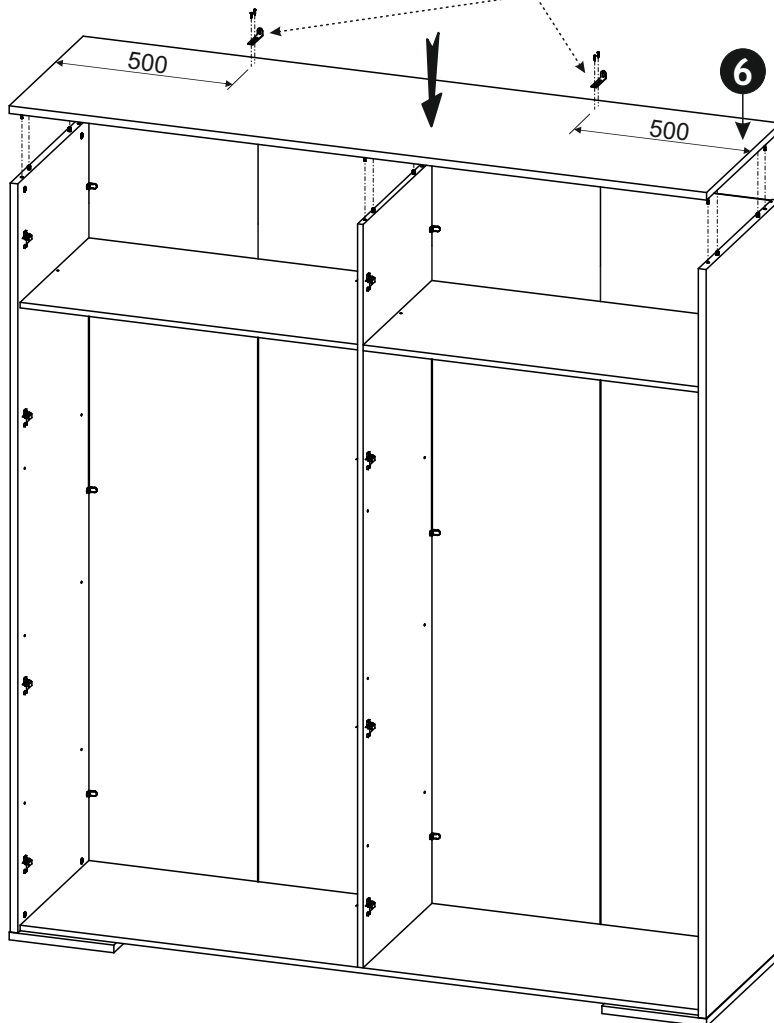


20 ▶

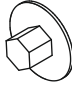




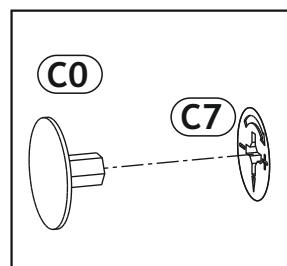
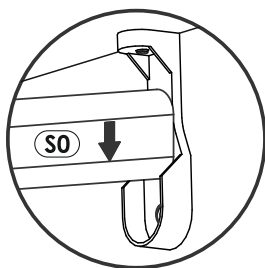
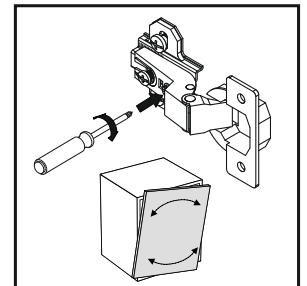
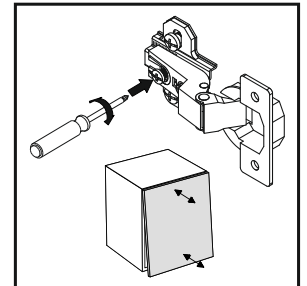
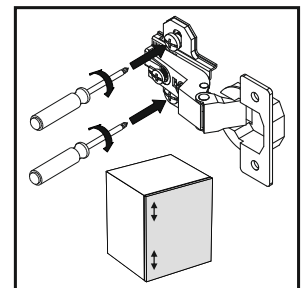
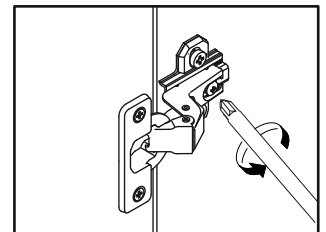
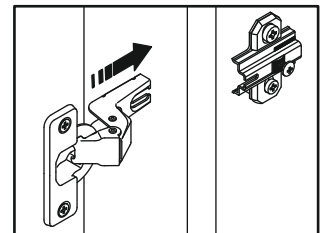
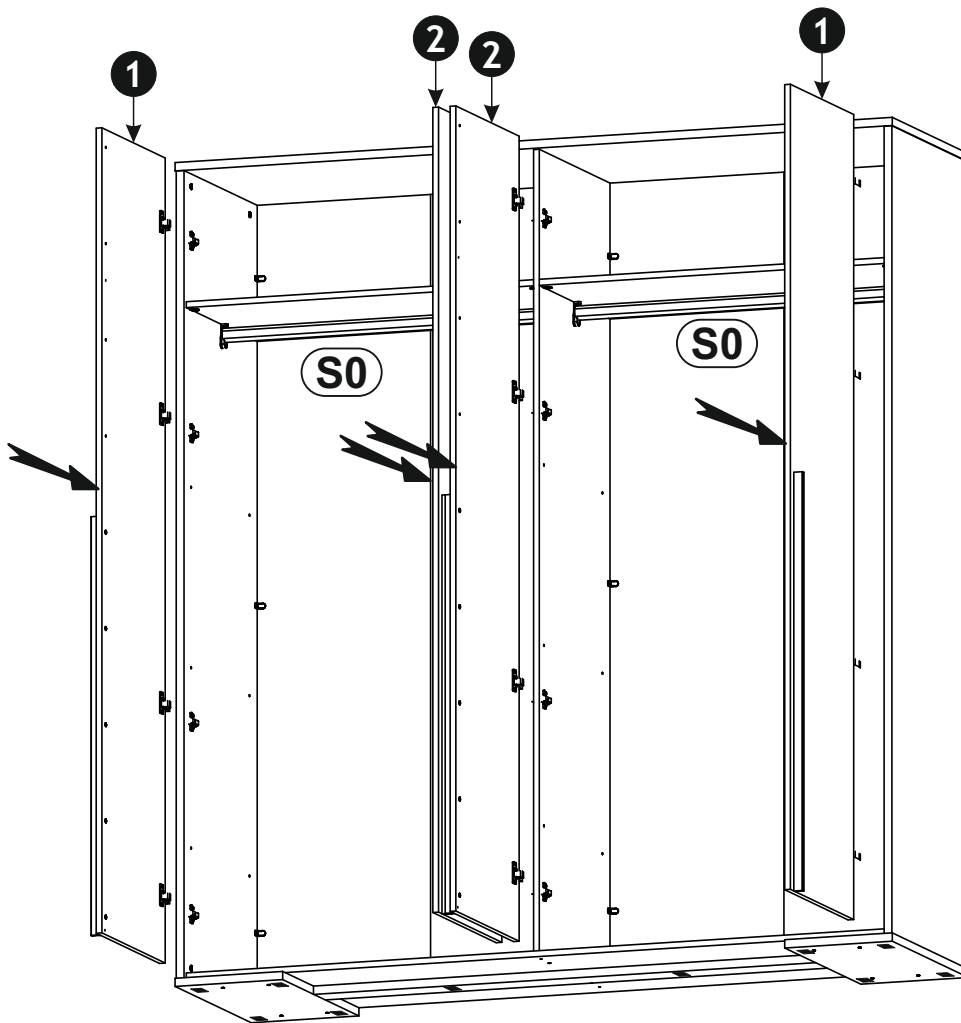
21 ▶

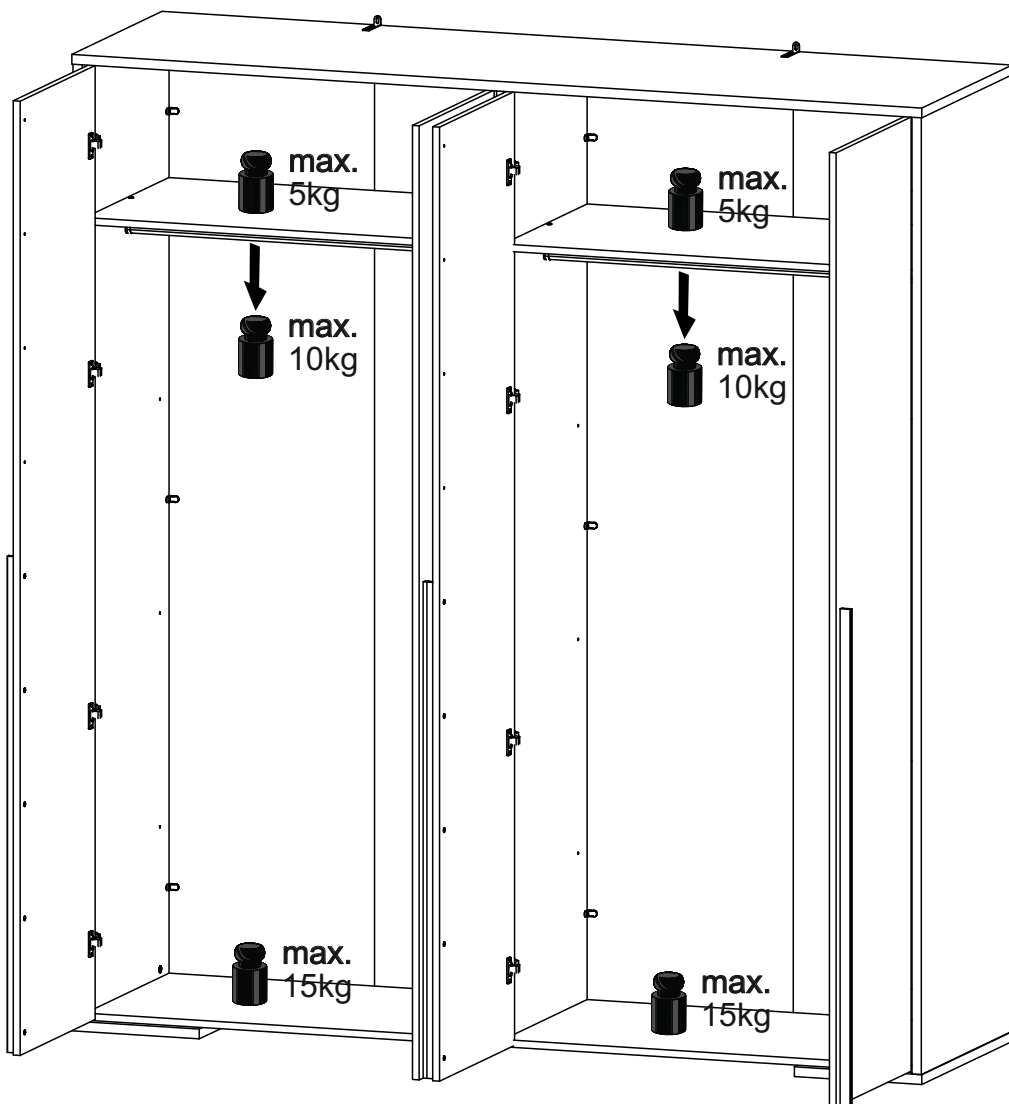
D5 3,5 x 16 mm  x4	E0 5 x 50 mm 8 x 50 mm  x2
P0  x2	



22 ▶

<p>(C0)  x4</p>	<p>(C0)  x8</p>	<p>(S0) L-960 x2</p>  <p>0</p>
--	--	--





23 ▶

OPTION
3D/4D

x3

