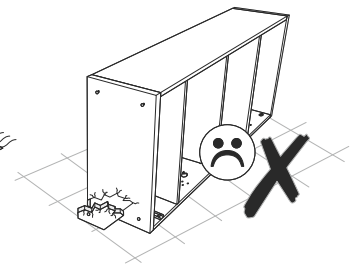
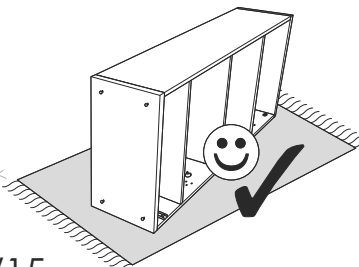
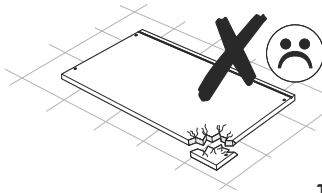
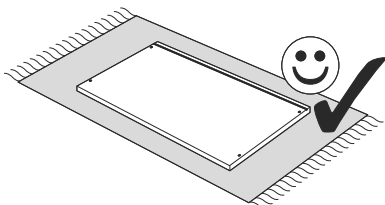
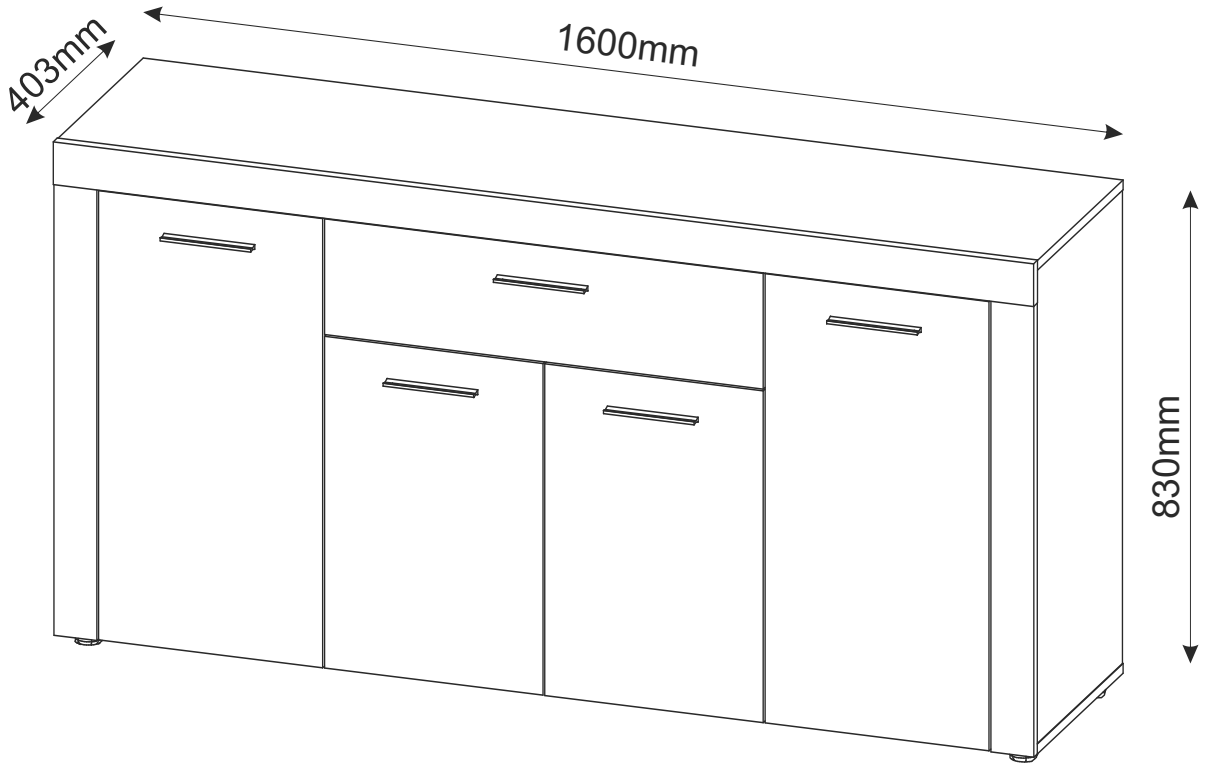



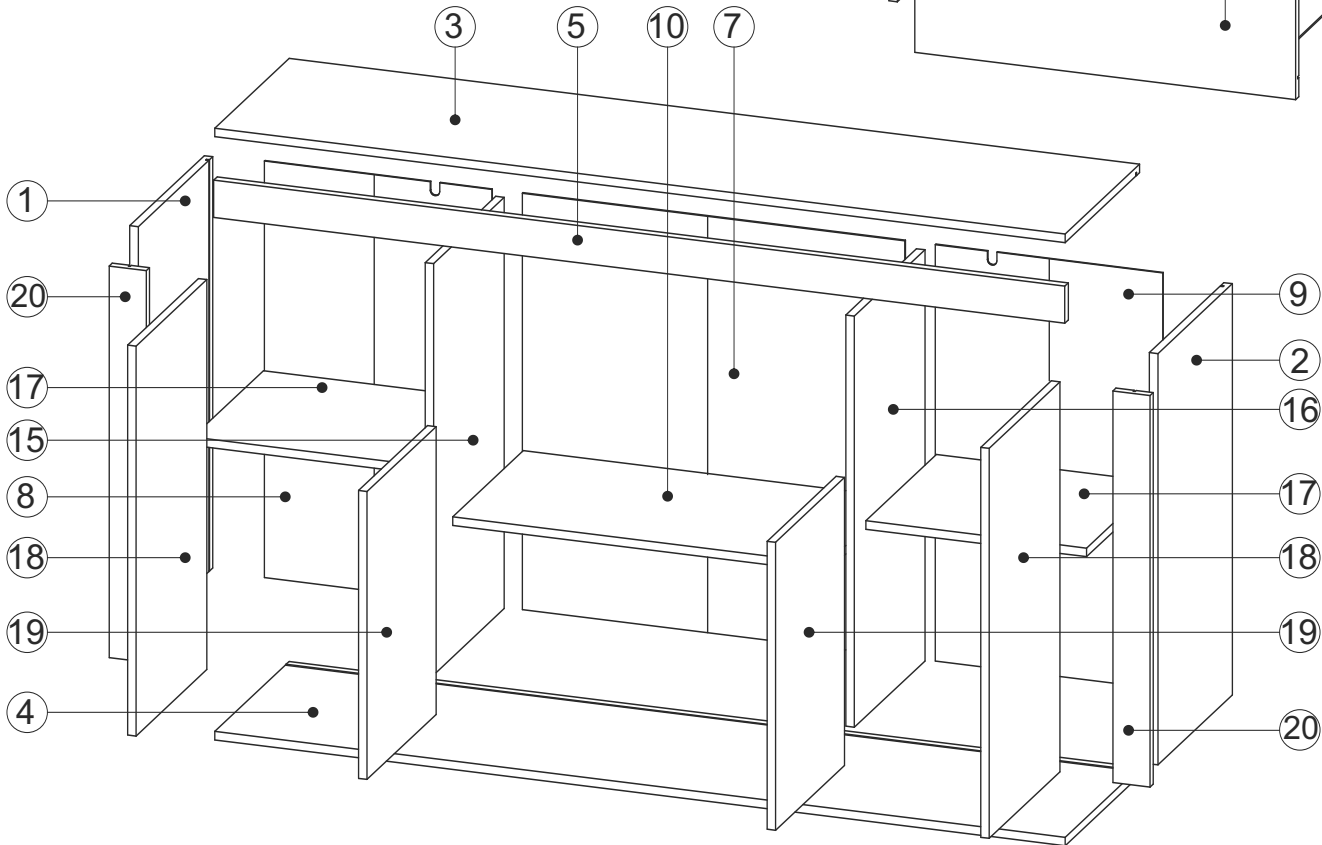
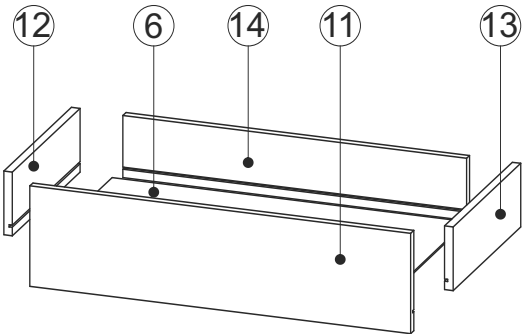
Ø5
Ø8



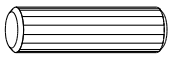
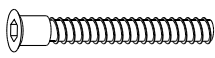

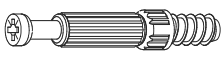




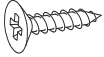


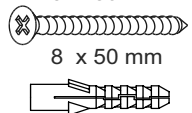

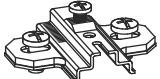
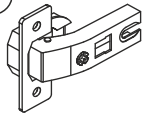
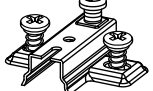
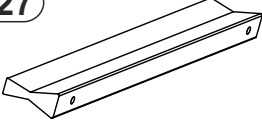
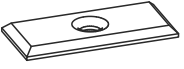
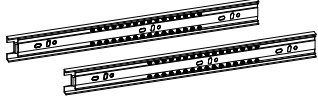
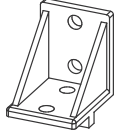





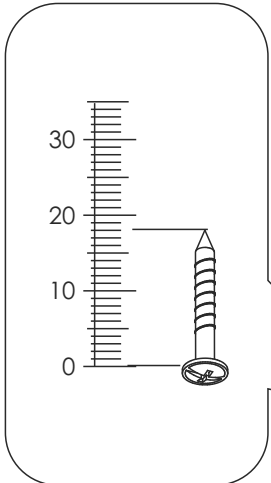
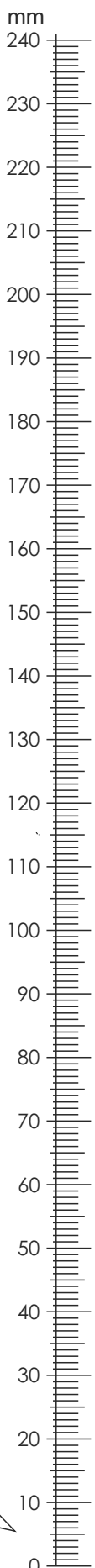
| Chest 4D/1Dr | | | | | |
|--------------|------|-----|-----|----|-----|
| 1 | 774 | 385 | 16 | x1 | 1/2 |
| 2 | 774 | 385 | 16 | x1 | 1/2 |
| 3 | 1601 | 385 | 16 | x1 | 1/2 |
| 4 | 1601 | 385 | 16 | x1 | 1/2 |
| 5 | 1602 | 70 | 18 | x1 | 1/2 |
| 6 | 344 | 657 | 2.8 | x1 | 1/2 |
| 7 | 784 | 720 | 2.8 | x1 | 1/2 |
| 8 | 784 | 428 | 2.8 | x1 | 1/2 |
| 9 | 784 | 428 | 2.8 | x1 | 1/2 |
| 10 | 704 | 365 | 16 | x1 | 2/2 |

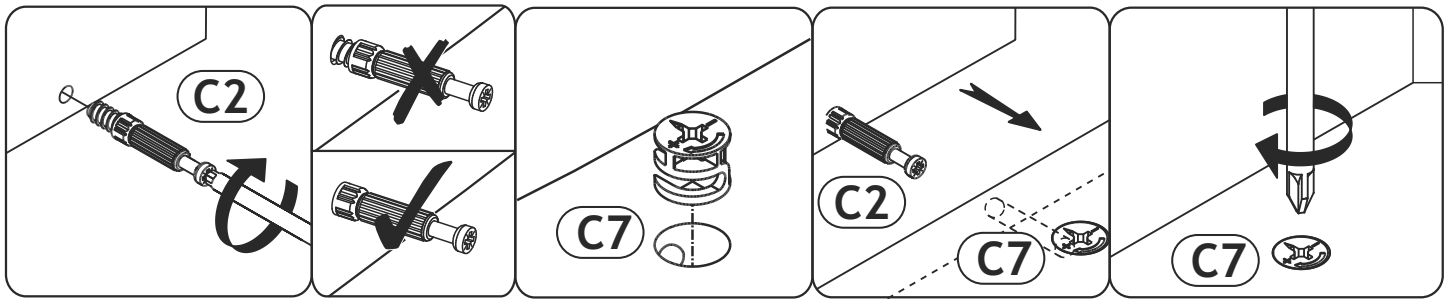
| | | | | | |
|----|---|-----|----|----|-----|
| 11 | 717 | 189 | 16 | x1 | 2/2 |
| 12 | 350 | 120 | 16 | x1 | 2/2 |
| 13 | 350 | 120 | 16 | x1 | 2/2 |
| 14 | 647 | 117 | 16 | x1 | 2/2 |
| 15 | 774 | 365 | 16 | x1 | 2/2 |
| 16 | 774 | 365 | 16 | x1 | 2/2 |
| 17 | 416 | 365 | 16 | x2 | 2/2 |
| 18 | 366 | 734 | 16 | x2 | 2/2 |
| 19 | 357 | 542 | 16 | x2 | 2/2 |
| 20 | 737 | 70 | 16 | x2 | 2/2 |
| 21 |  | | | | 2/2 |



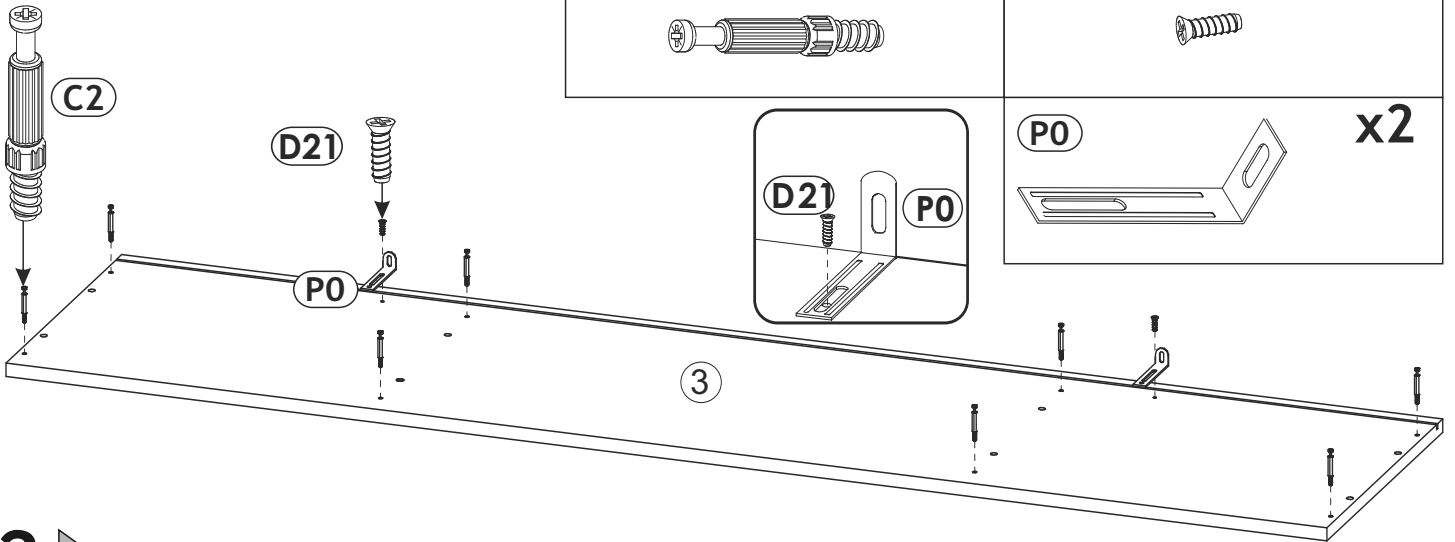


| | | |
|---|---|---|
| A0 8 x 30mm x24  | B1 6.4 x 50 mm x10  | C0 x10  |
| C2 x10  | C7 16mm x10  | D0 3 x 15 mm x40  |
| D6 3 x 20 mm x22  | D7 3,5 x 27 mm x10  | D10 4 x 16 mm x16  |
| D12 4 x 25 mm x6  | D21 5 x 13 mm x16  | E0 5 x 50 mm 8 x 50 mm x2  |
| J5 x4  | J6 x4  | J15 x4  |
| J15 x4  | K 4mm x1  | L27 x5  |
| M1 x18  | M3 x4  | N7 L-350 x1  |
| P0 x2  | P27 x10  | U0 x10  |
| T17 x6  | Q0 x12  | |

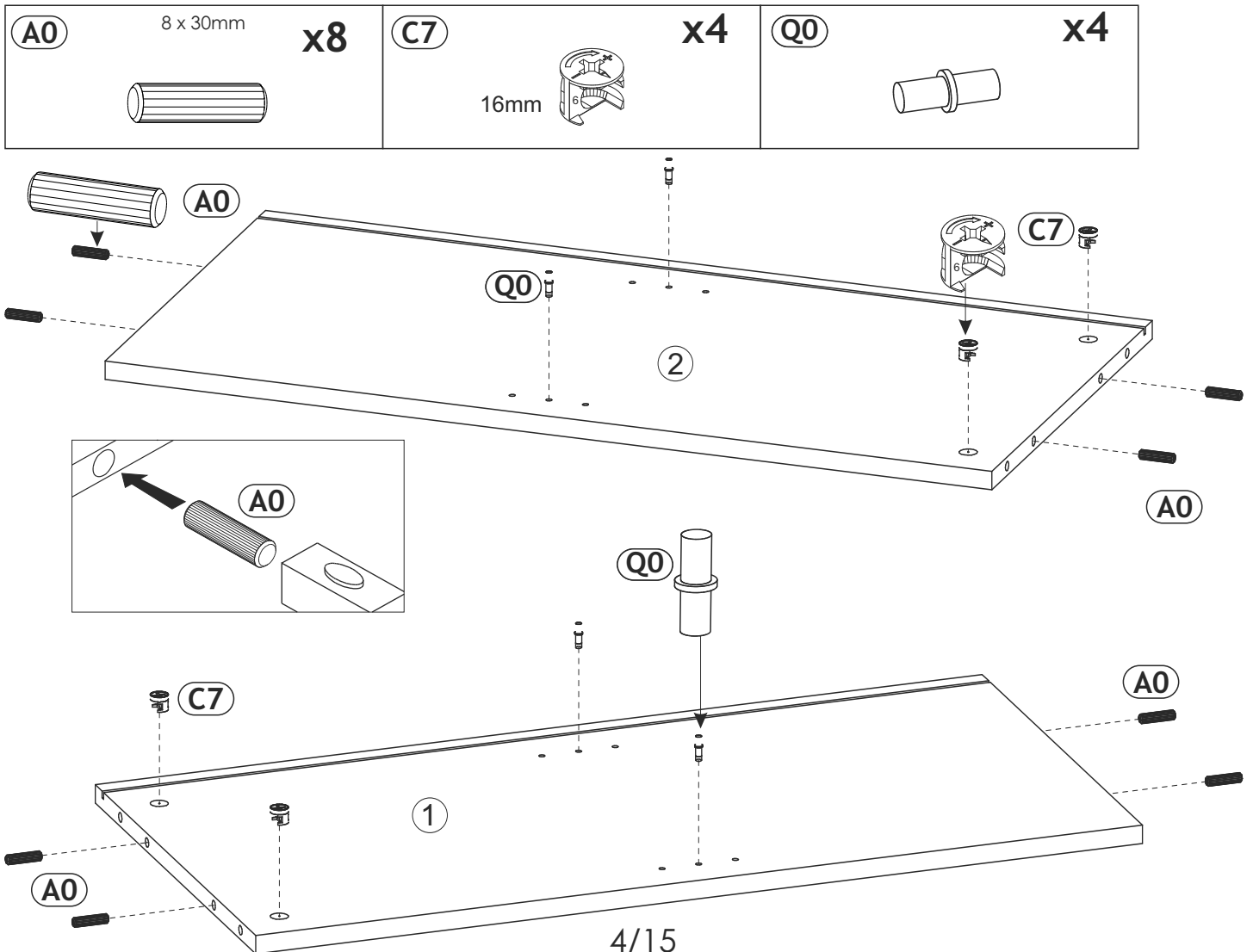








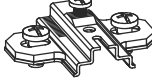

1 ▶

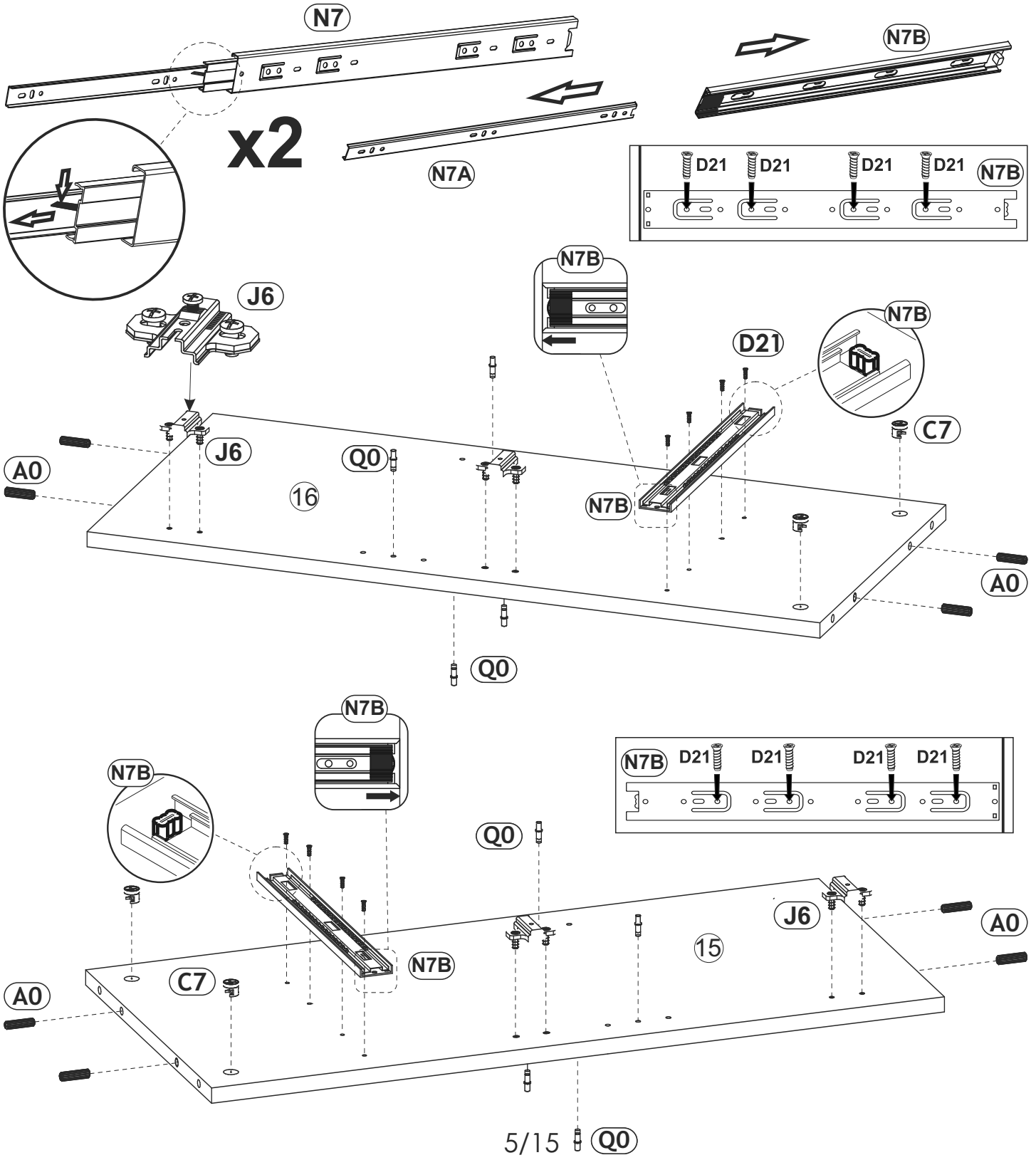


2 ▶






3 ▶

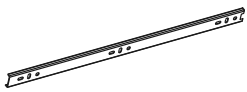
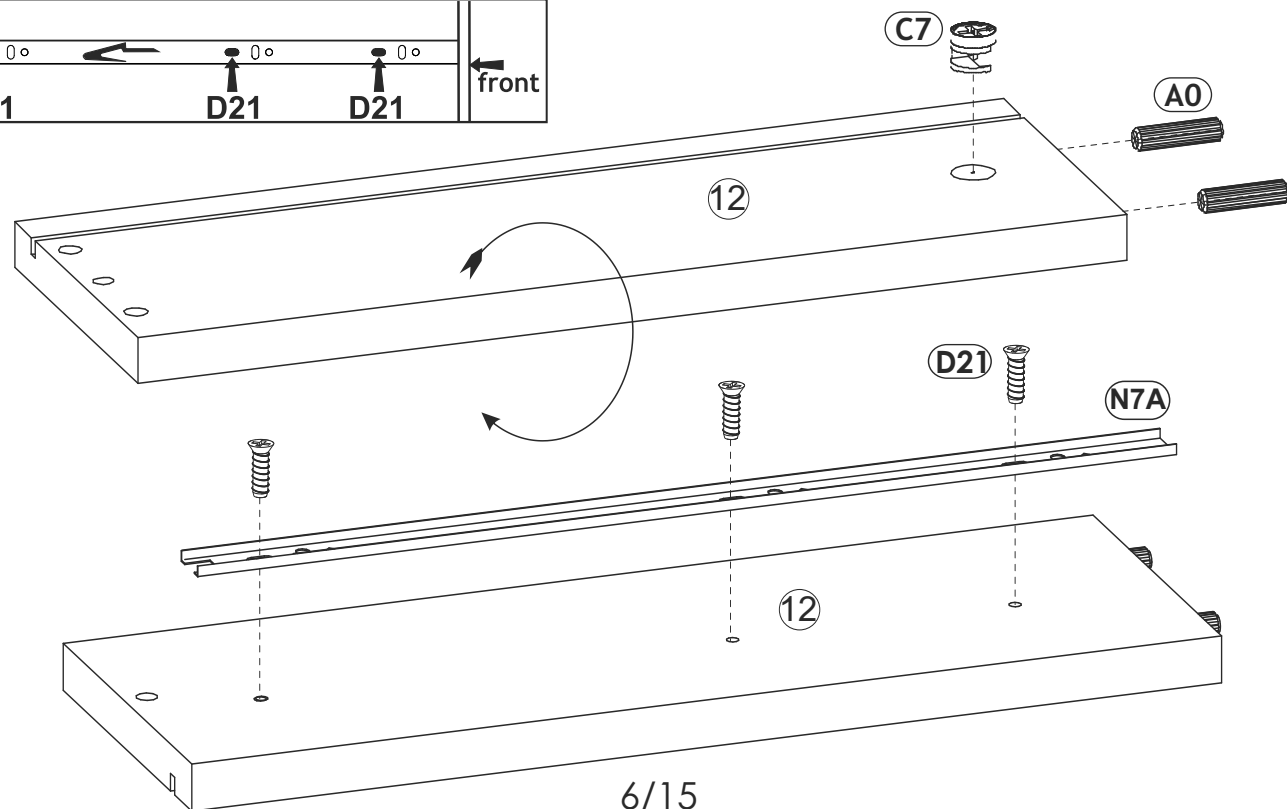
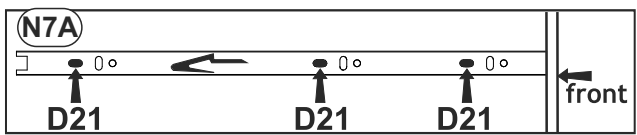
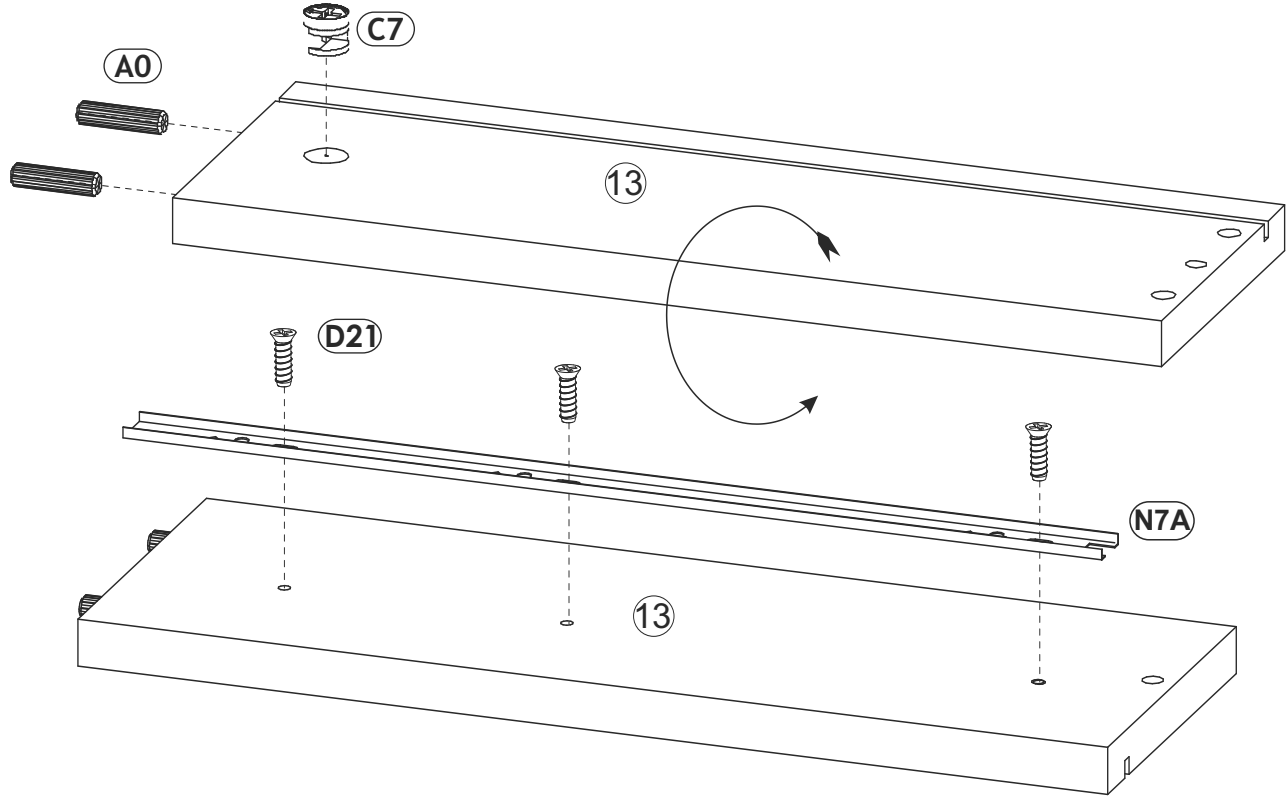
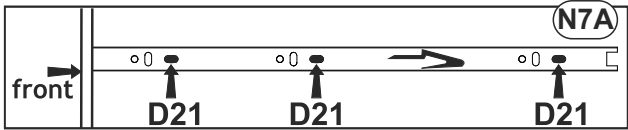
| | | |
|---|---|---|
| A0 8 x 30mm x8  | C7 16mm x4  | D21 5 x 13 mm x8  |
| N7 L-350 x1  | J6 x4  | Q0 x8  |



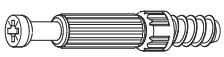
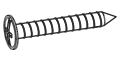
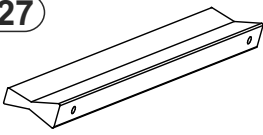
4

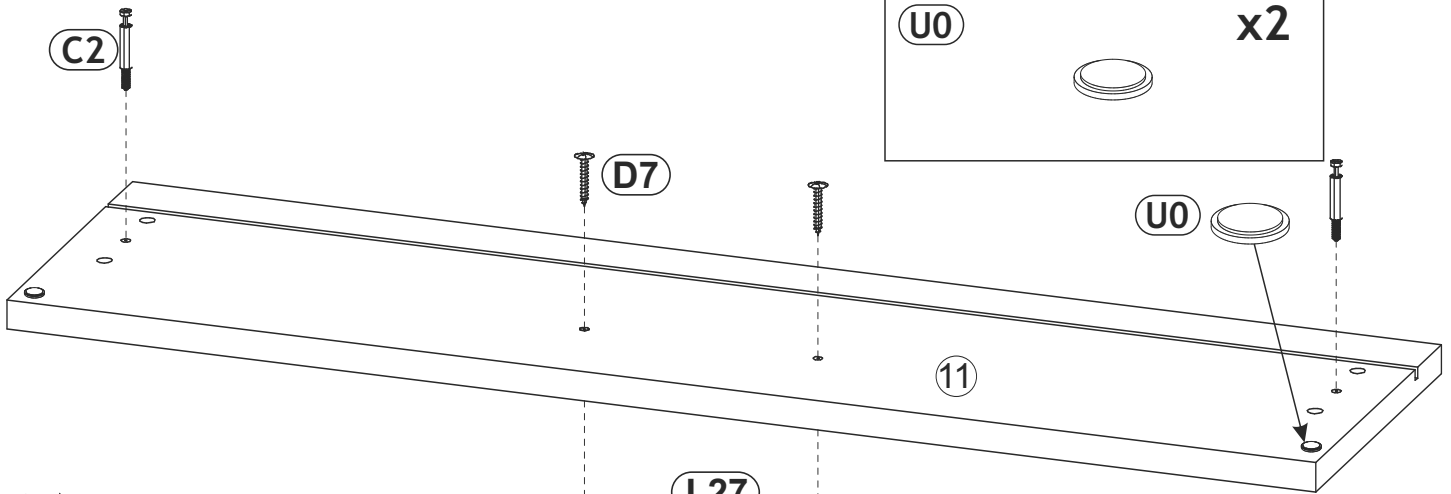
| | | |
|---|---|---|
| (A0) 8 x 30mm x4  | (C7) 16mm x2  | (D21) 5 x 13 mm x6  |
|---|---|---|

(N7A) L-350 **x2**





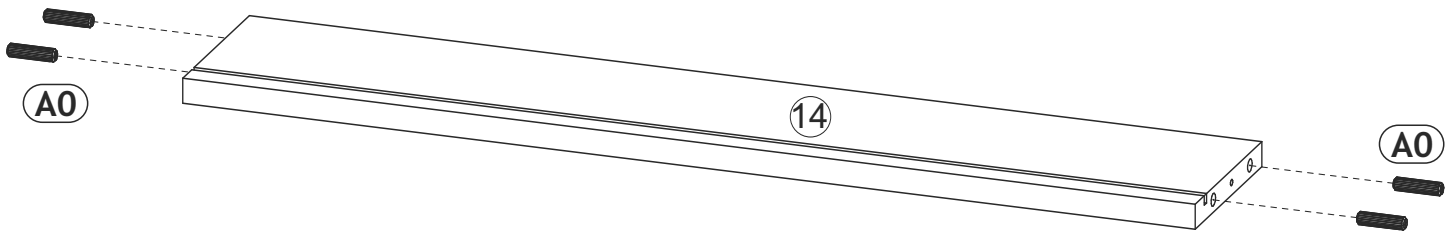
5 ▶

| | | |
|---|--|--|
| (C2)  x2 | (D7) 3,5 x 27 mm  x2 | (L27)  x1 |
|---|--|--|


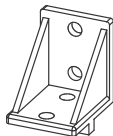
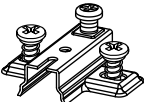


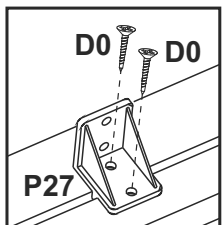
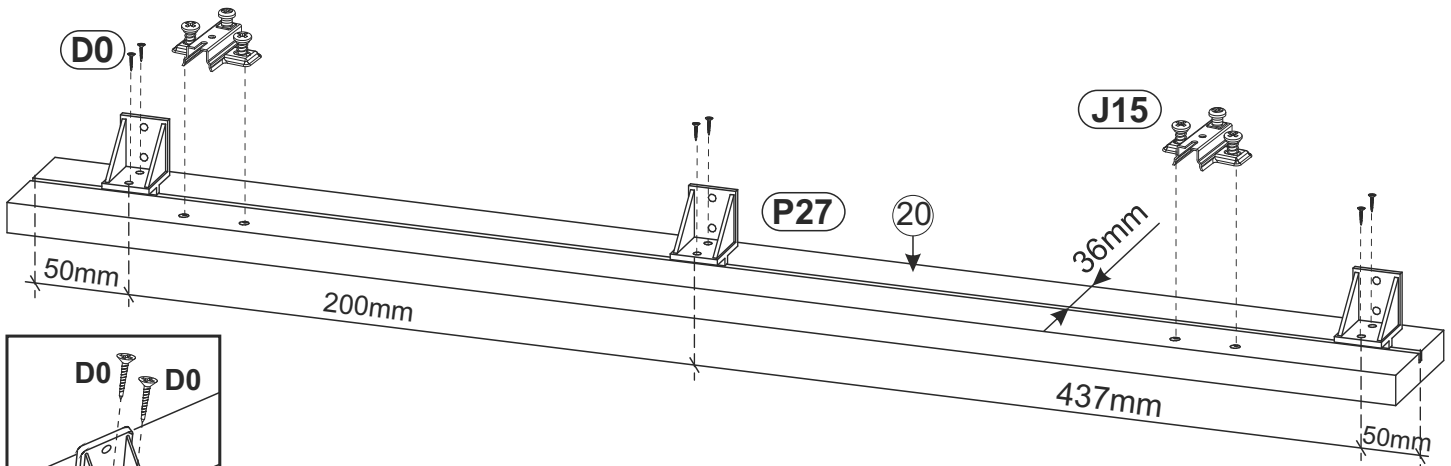
6 ▶

| |
|--|
| (A0) 8 x 30mm  x4 |
|--|

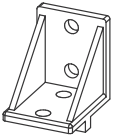


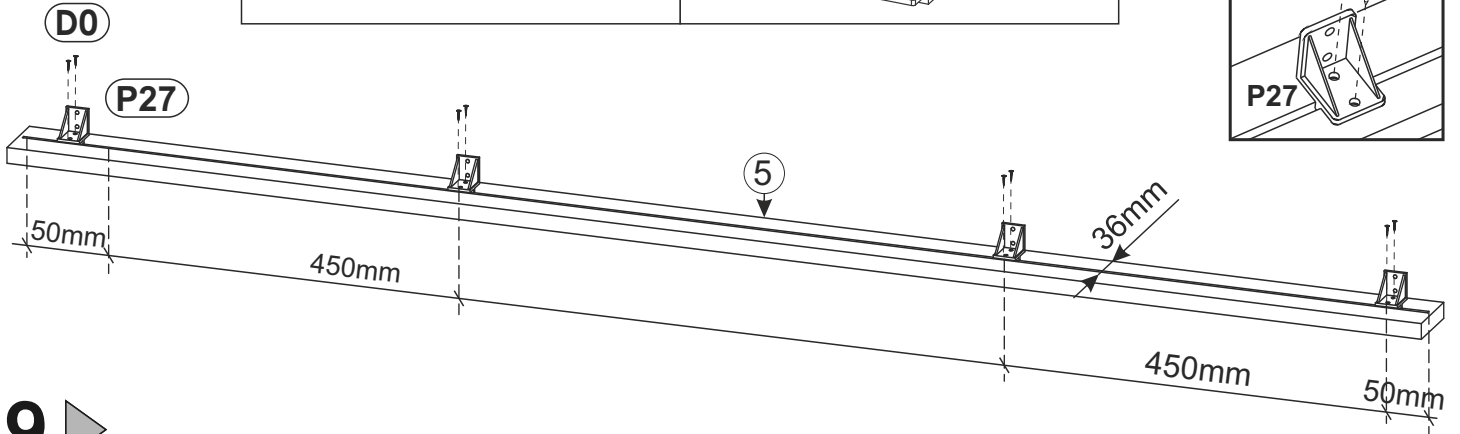
7 ▶

| | | |
|---|--|--|
| (D0) 3 x 15 mm  x12 | (P27)  x6 | (J15)  x4 |
|---|--|--|

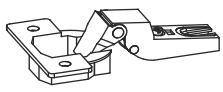
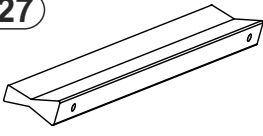



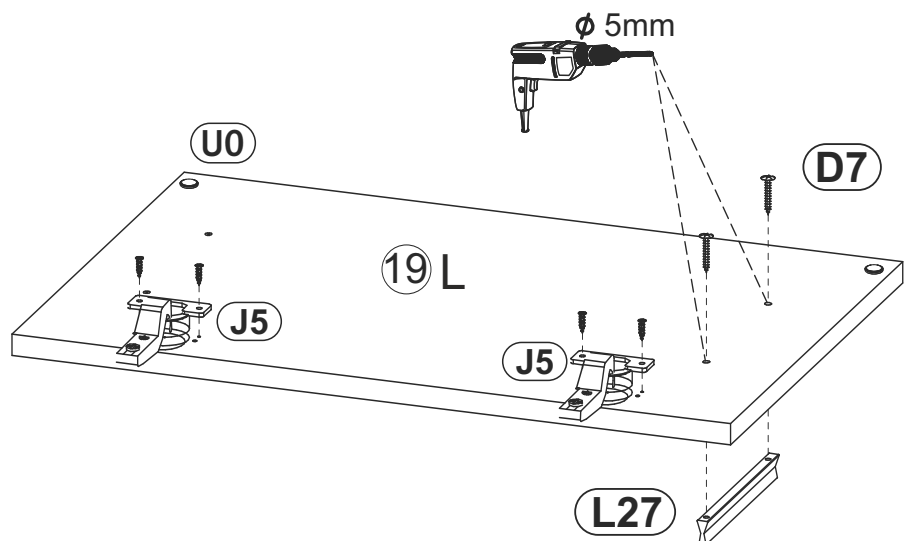
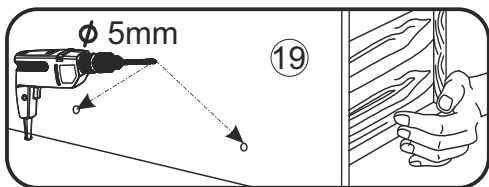
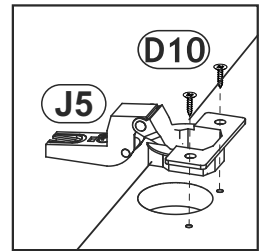
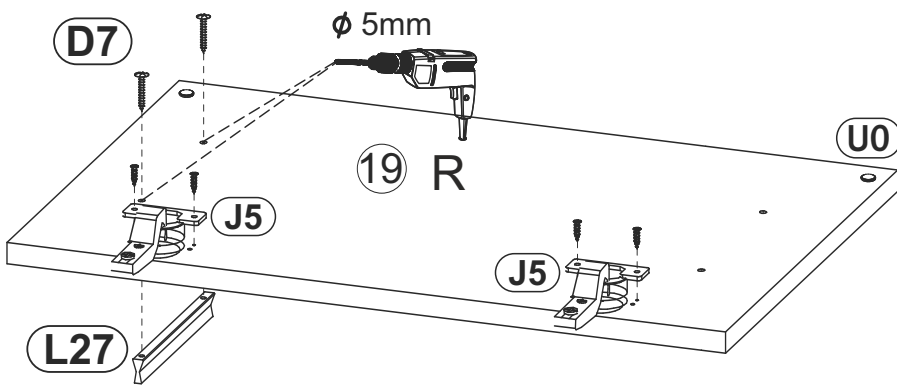
8 ▶

| | | | | | |
|-----------|-----------|-----------|------------|---|-----------|
| D0 | 3 x 15 mm | x8 | P27 |  | x4 |
|-----------|-----------|-----------|------------|---|-----------|

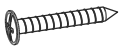
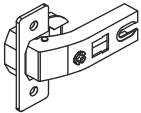
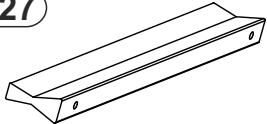
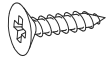



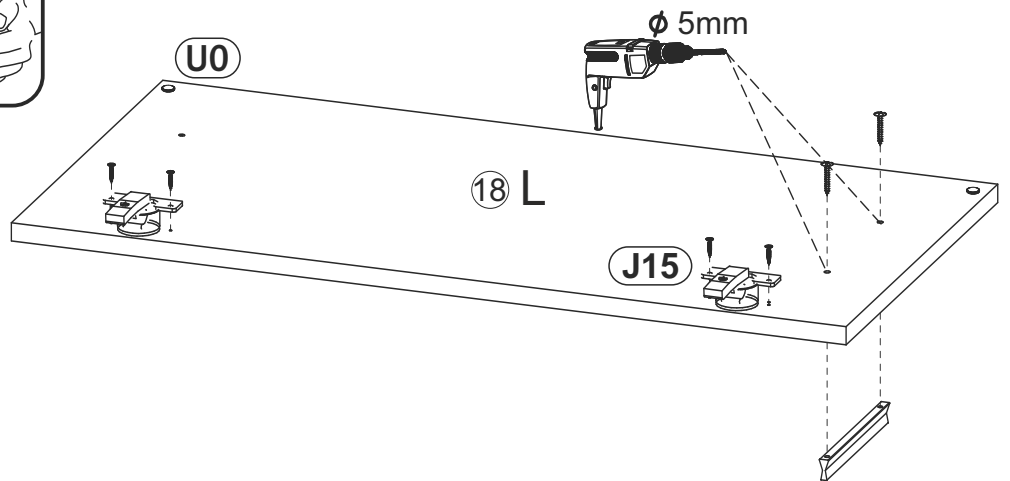
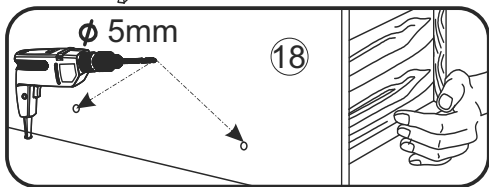
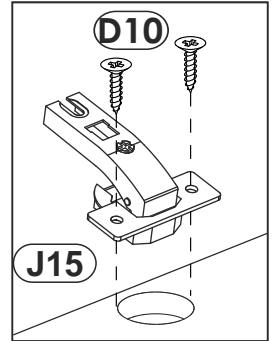
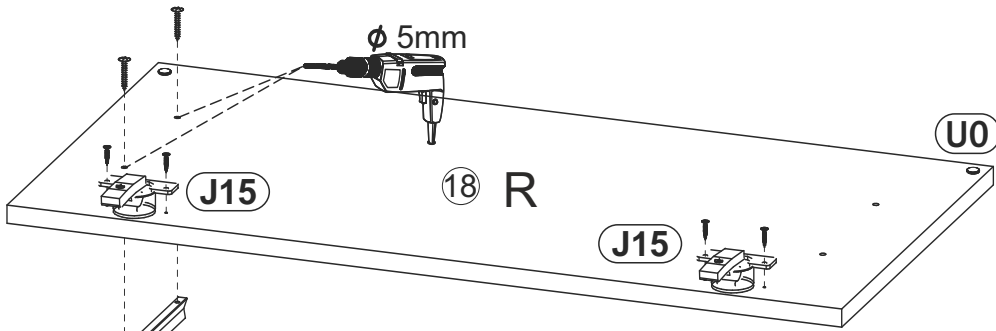
9 ▶

| | | | | | | | | |
|------------|-------------|-----------|-----------|---|-----------|------------|---|-----------|
| D7 | 3,5 x 27 mm | x4 | J5 |  | x4 | L27 |  | x2 |
| D10 | 4 x 16 mm | x8 | U0 |  | x4 | | | |



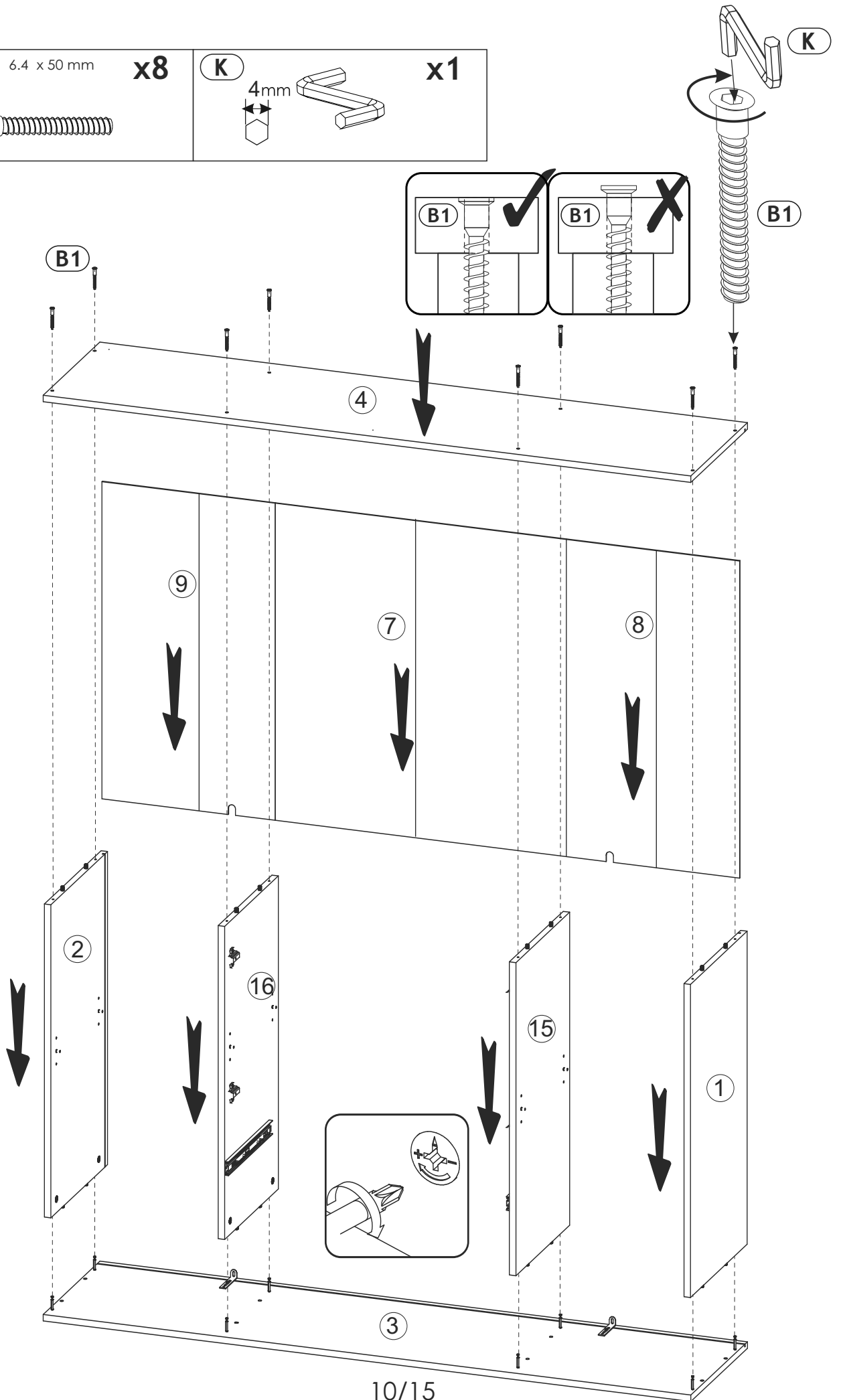
10 ▶

| | | |
|--|--|--|
| (D7) 3,5 x 27 mm  x4 | (J15)  x4 | (L27)  x2 |
| (D10) 4 x 16 mm  x8 | (U0)  x4 | |



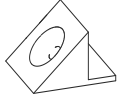
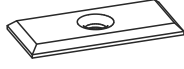
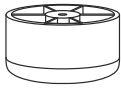


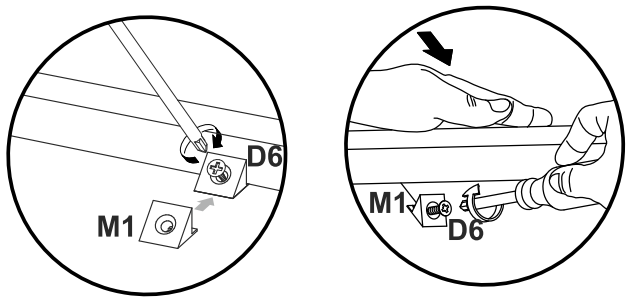
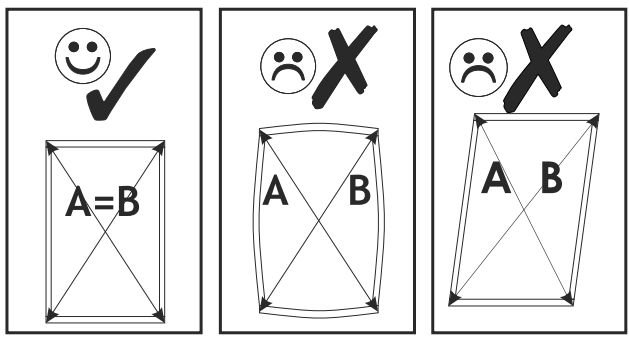
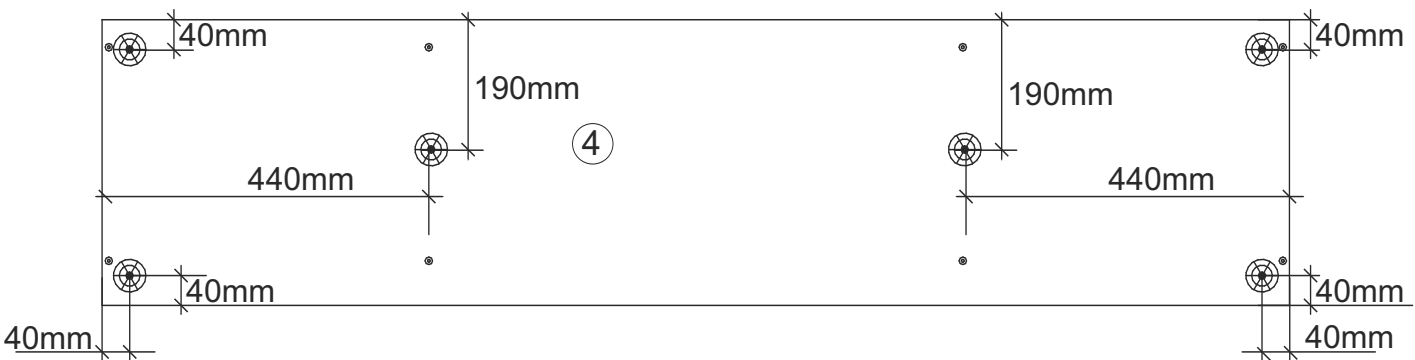
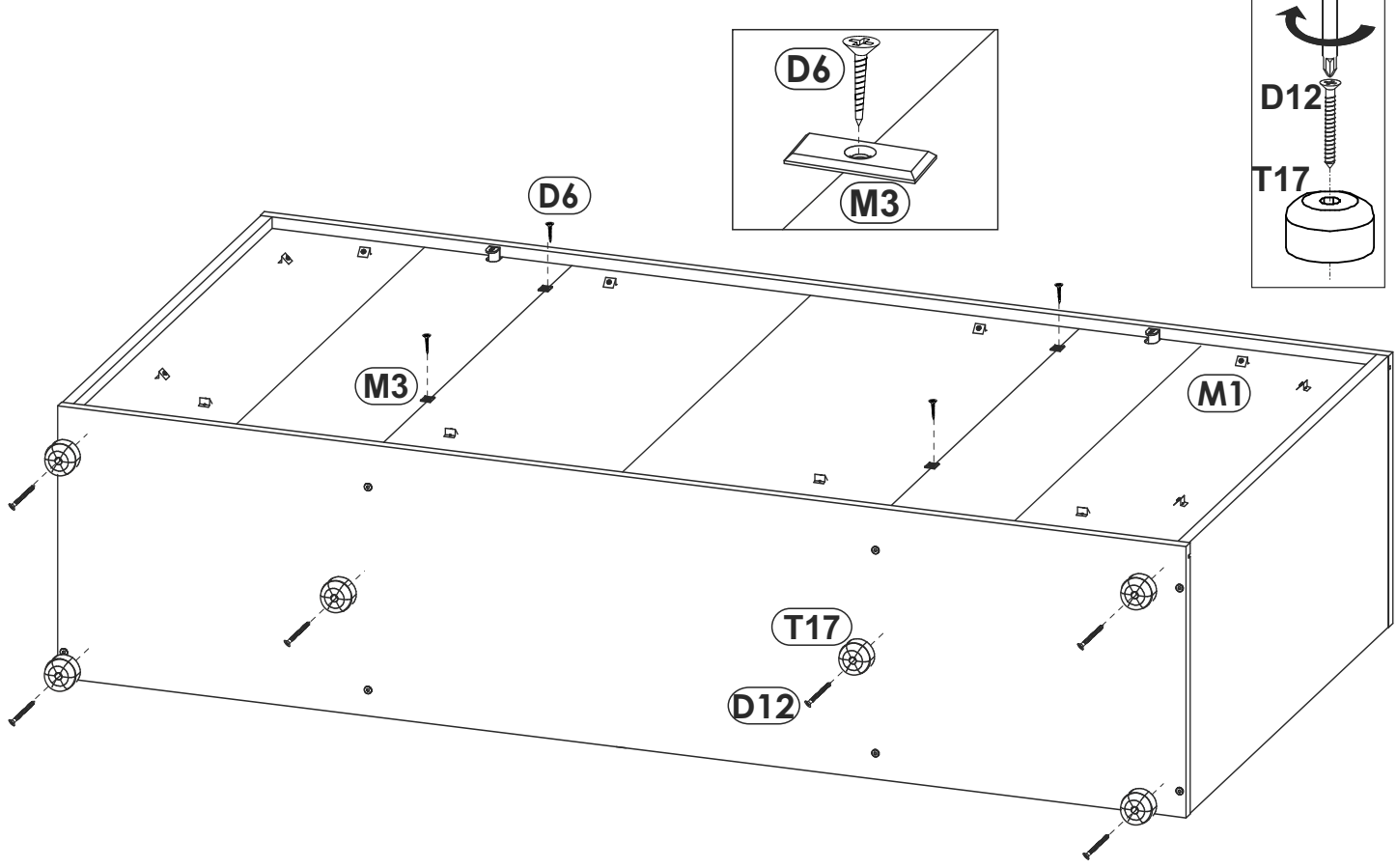
11 ▶

| | | | | | |
|-----------|-------------|-----------|----------|-----|-----------|
| B1 | 6.4 x 50 mm | x8 | K | 4mm | x1 |
|-----------|-------------|-----------|----------|-----|-----------|

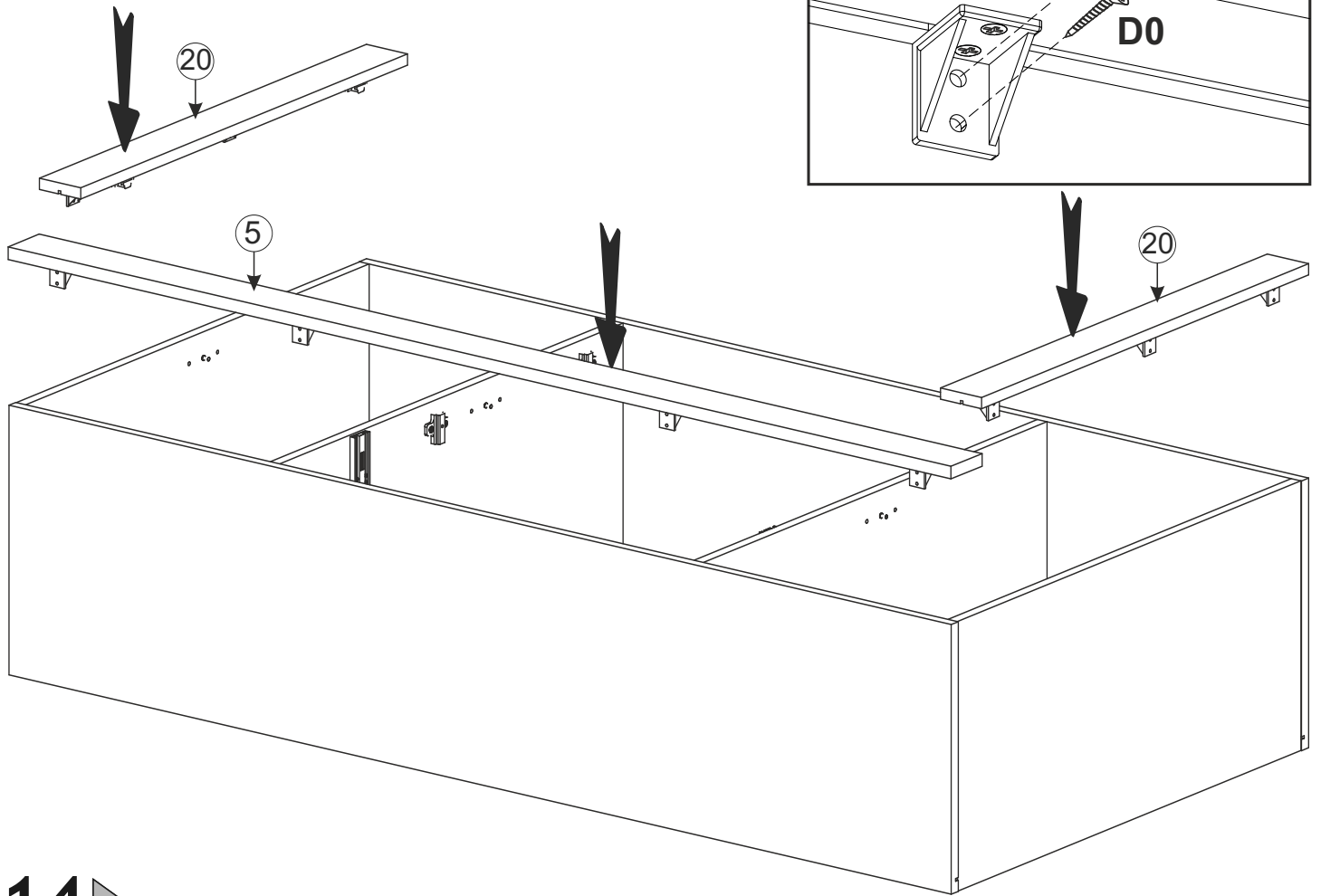
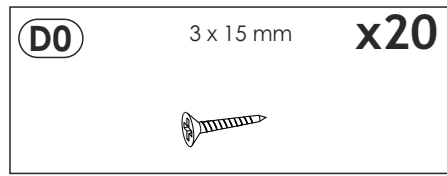


12 ▶

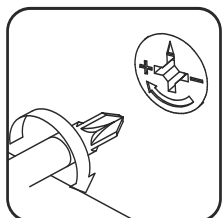
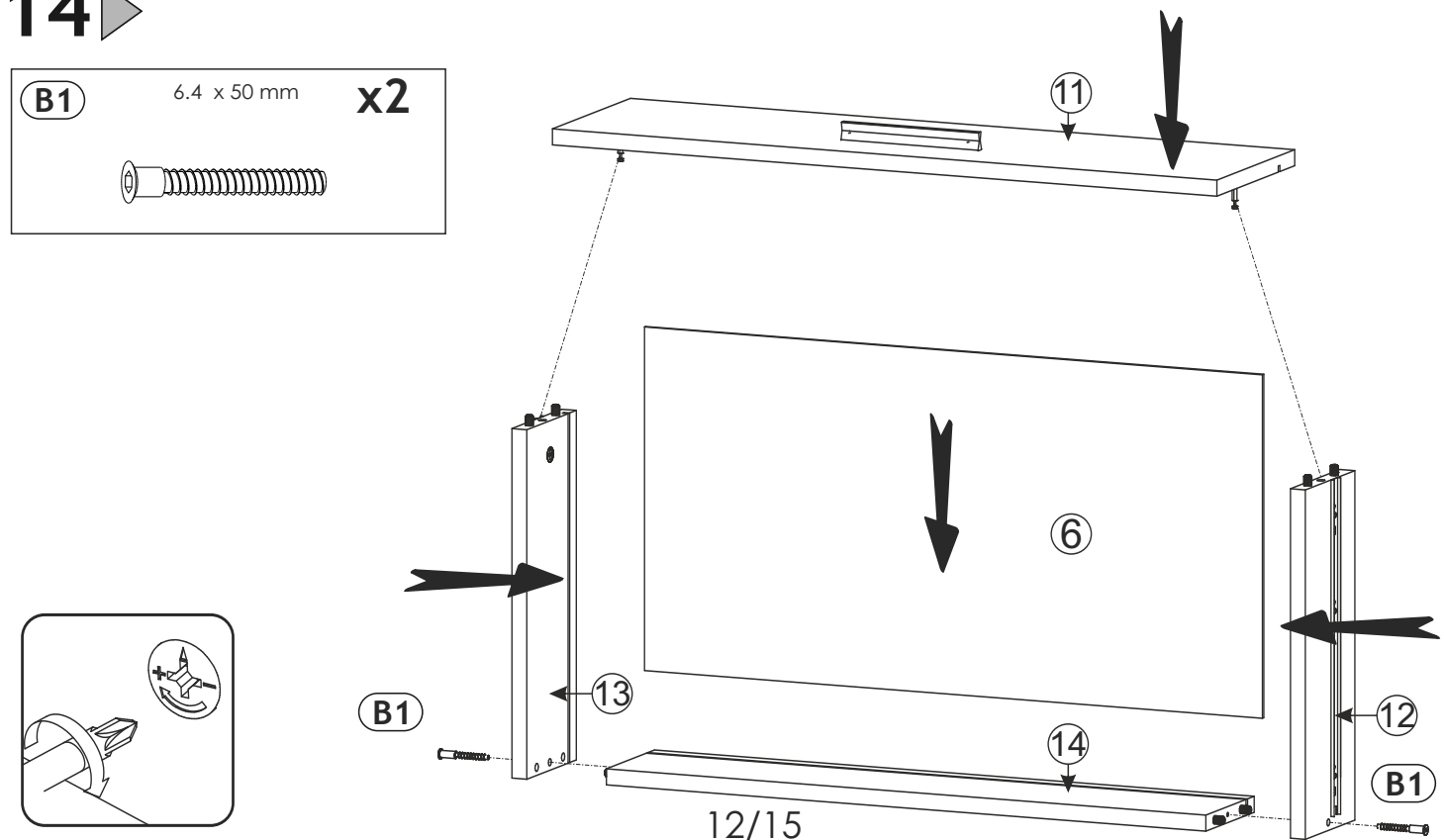
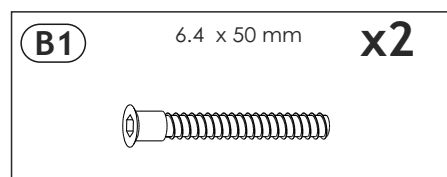
| | | |
|---|---|--|
| D6 3 x 20 mm x16  | D12 4 x 25 mm x6  | M1  x12 |
| M3  x4 | T17  x6 | |



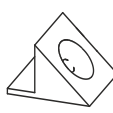
13 ▶



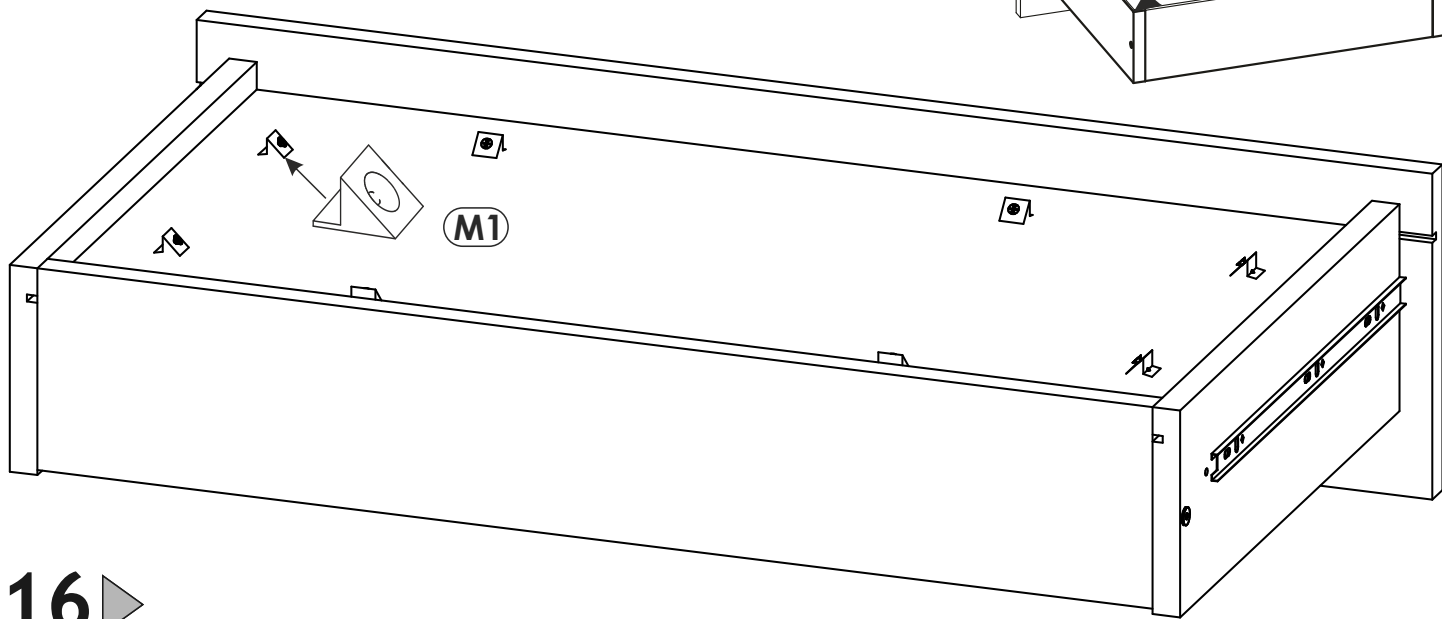
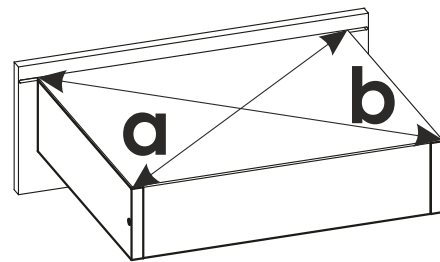
14 ▶



15 ▶

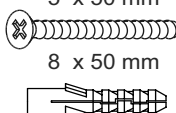
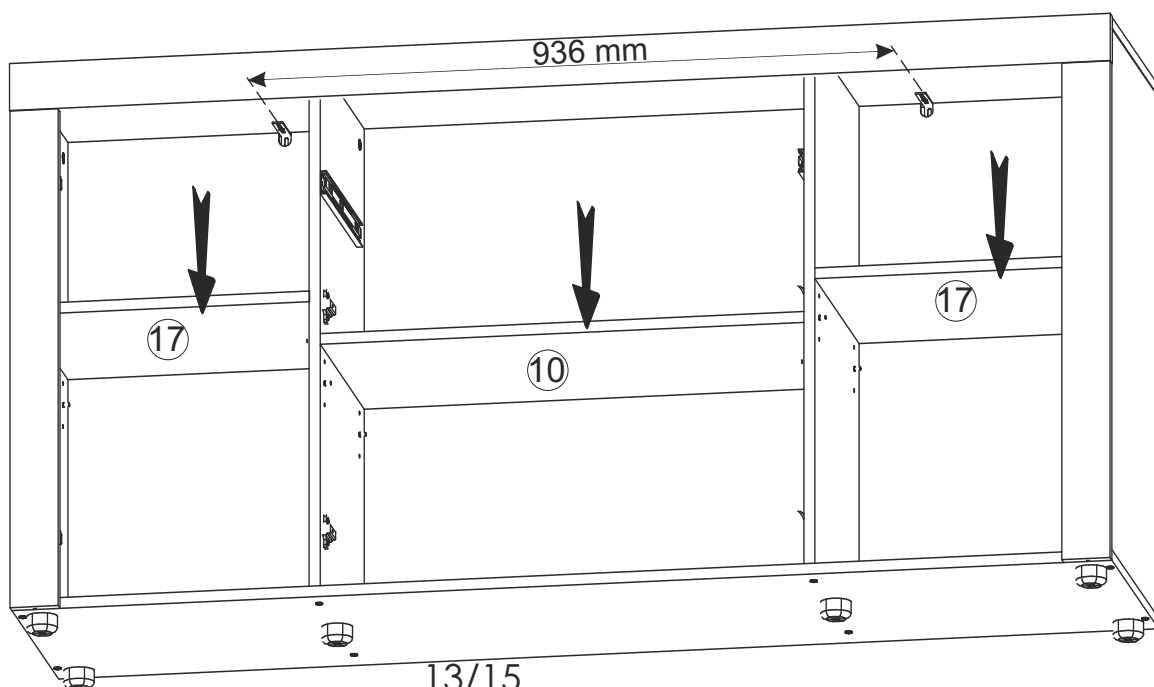
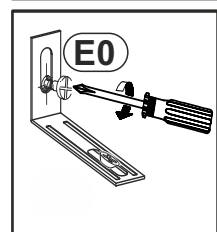
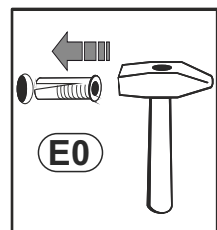
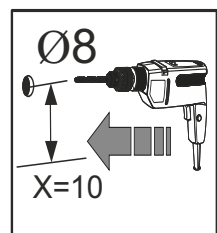
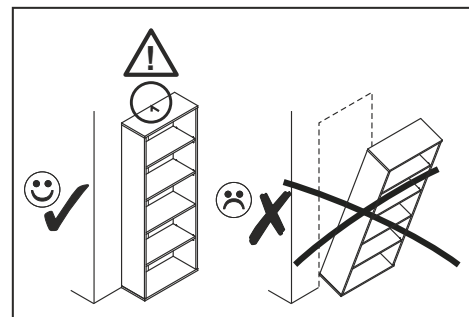
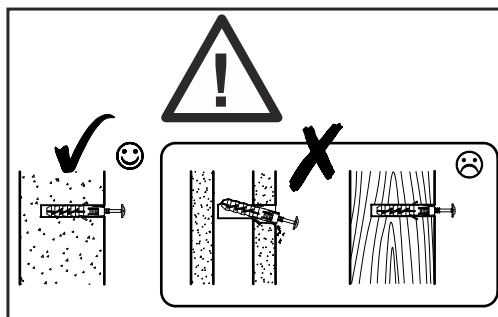
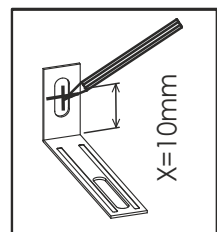
| | | | | | |
|-----------|-----------|-----------|-----------|---|-----------|
| D6 | 3 x 20 mm | x8 | M1 |  | x8 |
|-----------|-----------|-----------|-----------|---|-----------|

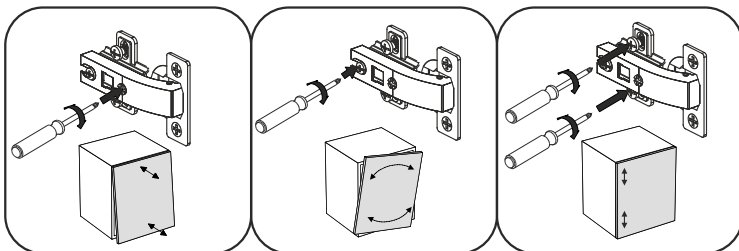
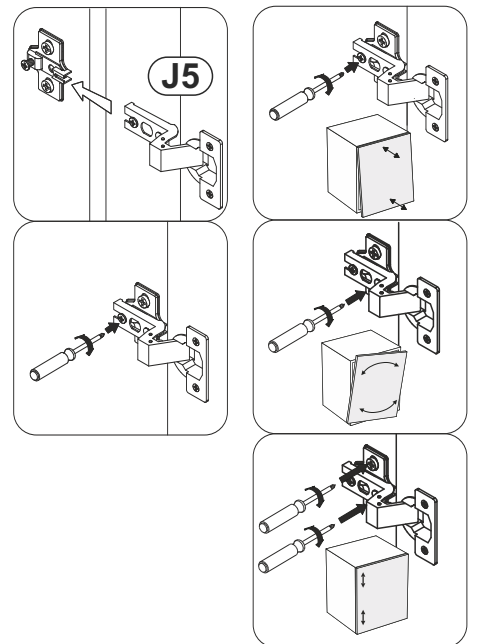
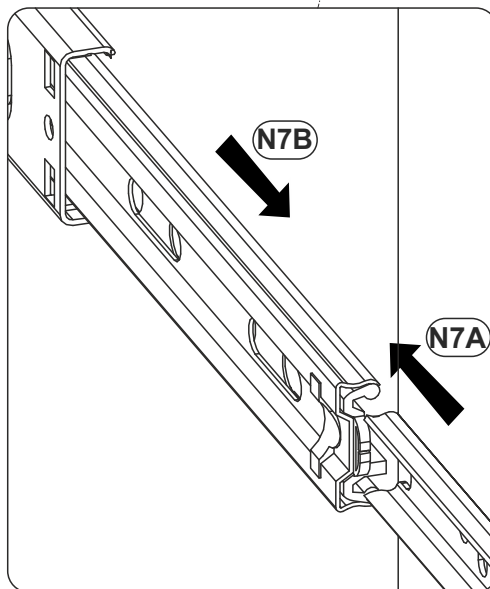
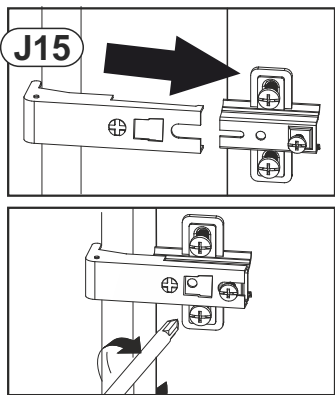
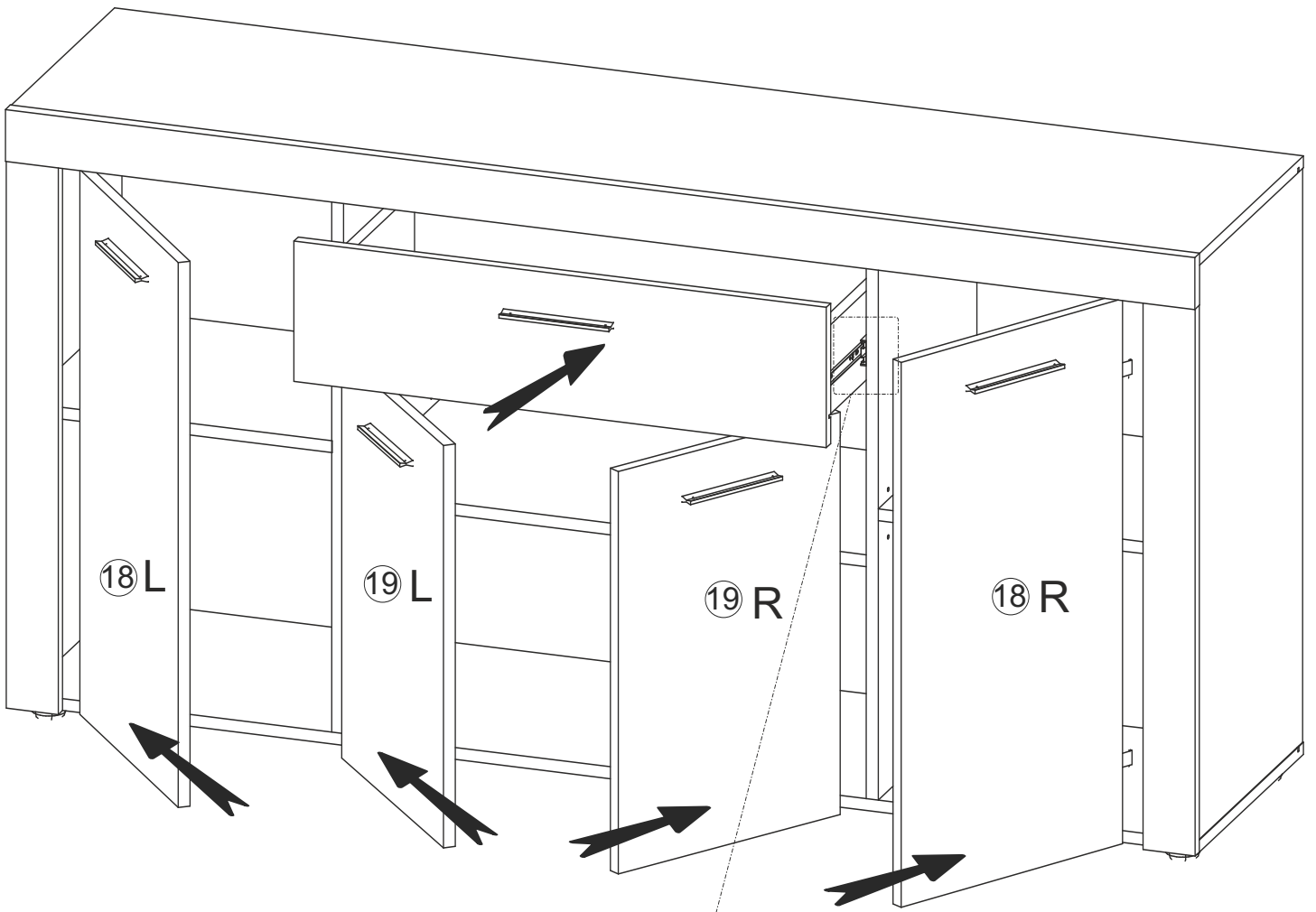
a=b



16 ▶

| | | |
|-----------|-----------|-----------|
| E0 | 5 x 50 mm | x2 |
| | 8 x 50 mm | |



18 ▶

