
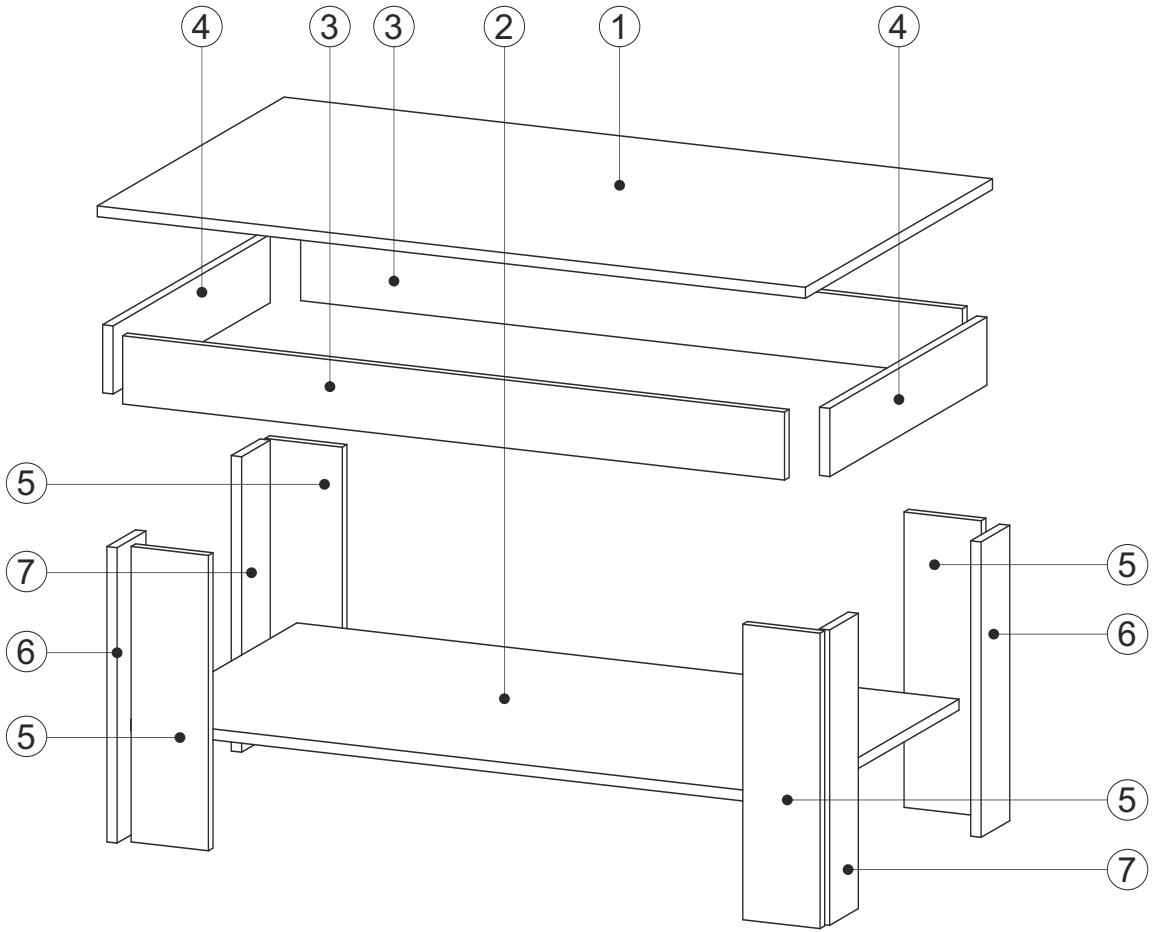



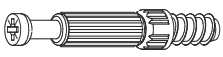

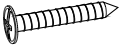
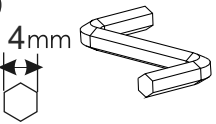
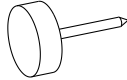


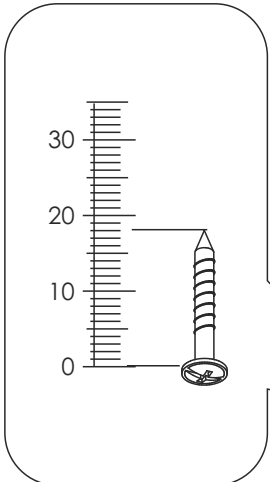
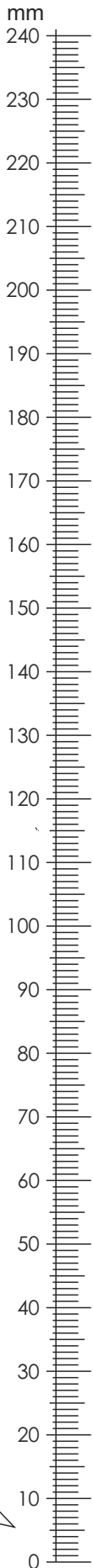


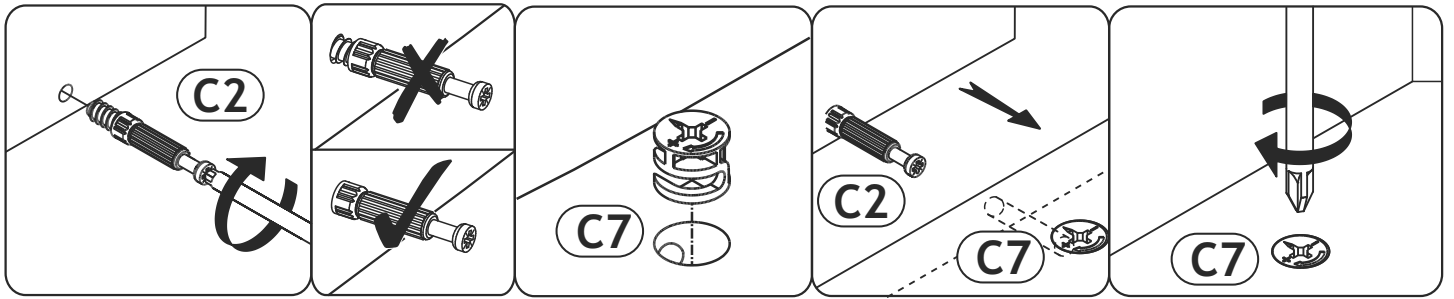
Coffee table					
1	1100	652	16	x1	1/1
2	1028	580	16	x1	1/1
3	1028	100	16	x2	1/1
4	548	100	16	x2	1/1
5	434	120	16	x4	1/1
6	434	100	16	x2	1/1
7	434	100	16	x2	1/1
8					1/1



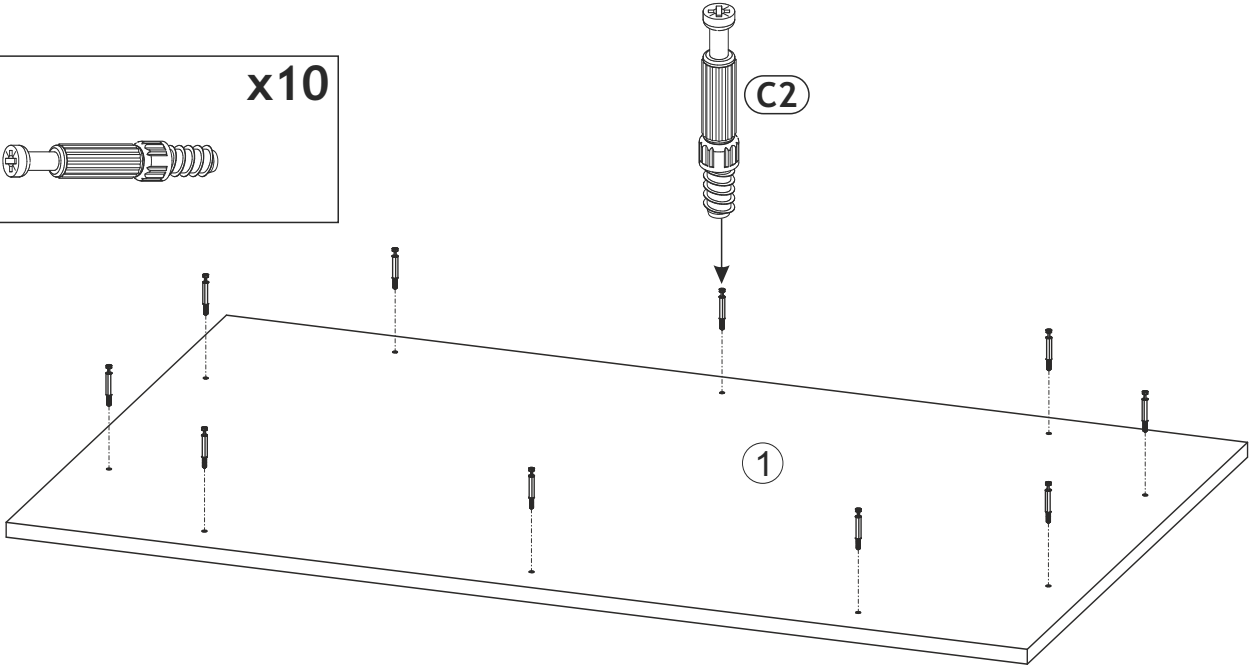
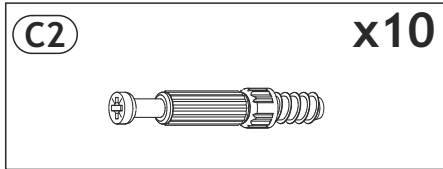


A0 8 x 30mm x20 	B1 6.4 x 50 mm x4 	C0 x8 
C2 x22 	C7 16mm x22 	D16 4,2 x 28 mm x32 
K 4mm x1 	T3 x12 	

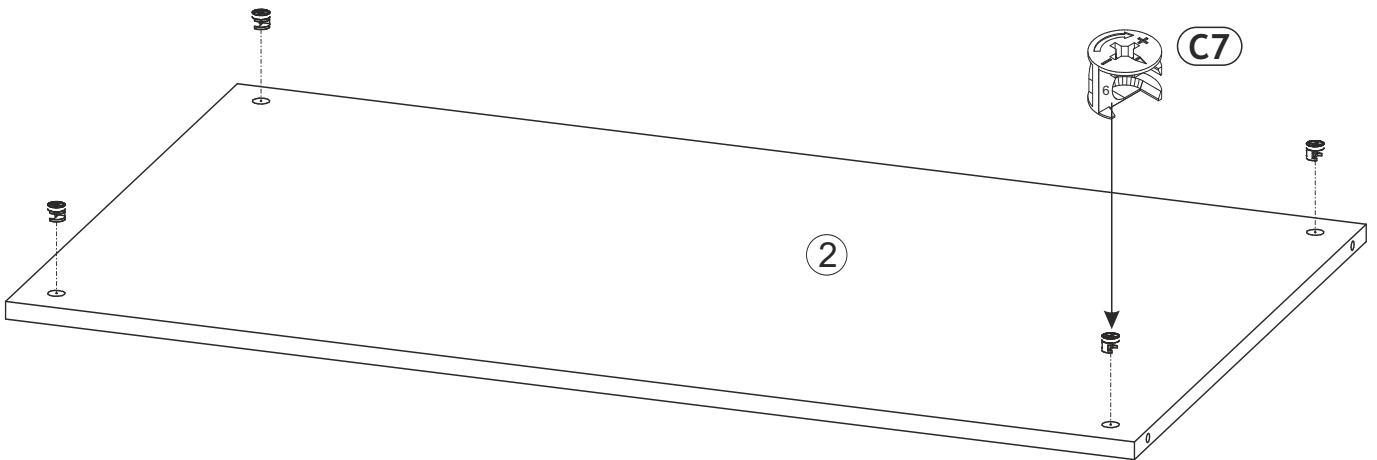
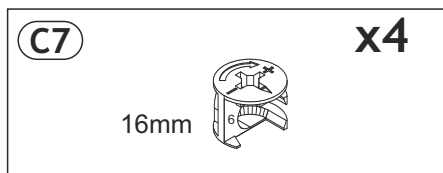




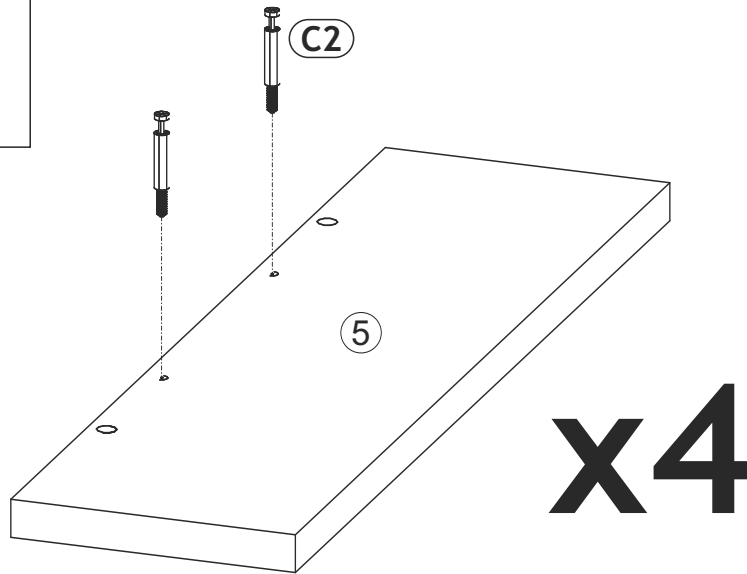
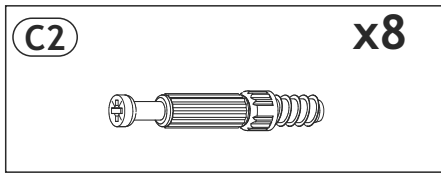
1 ▶



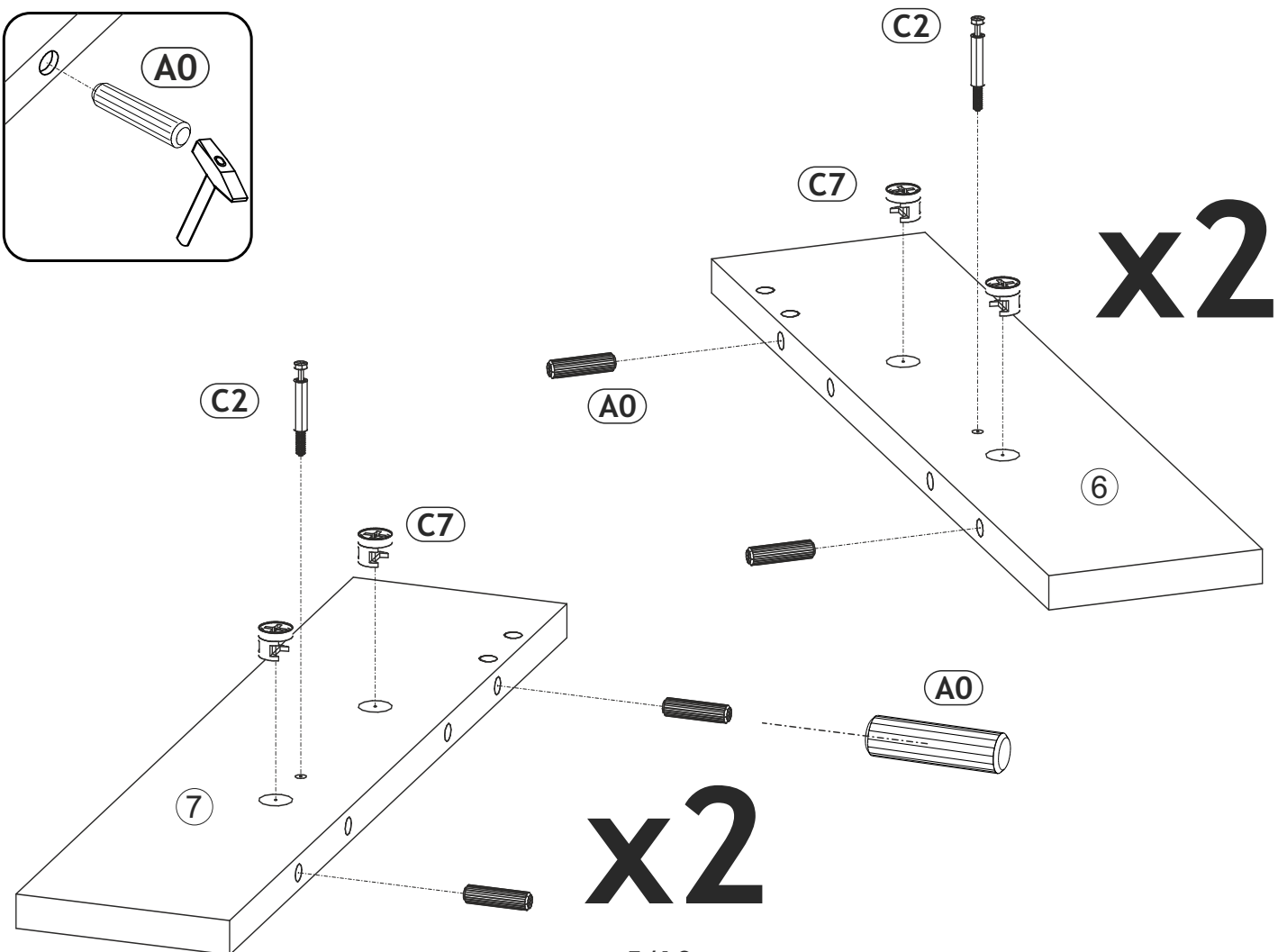
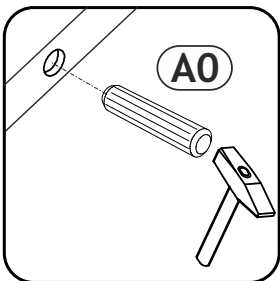
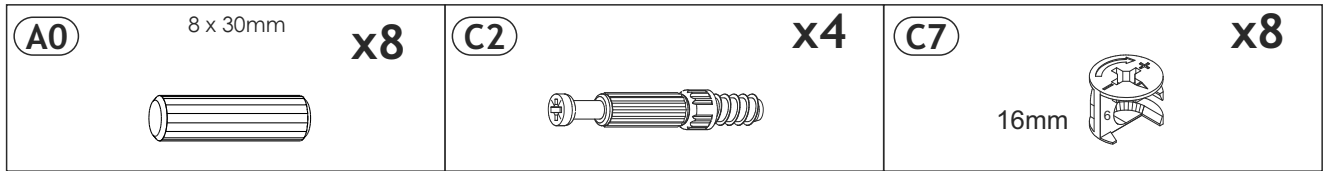
2 ▶



3 ▶

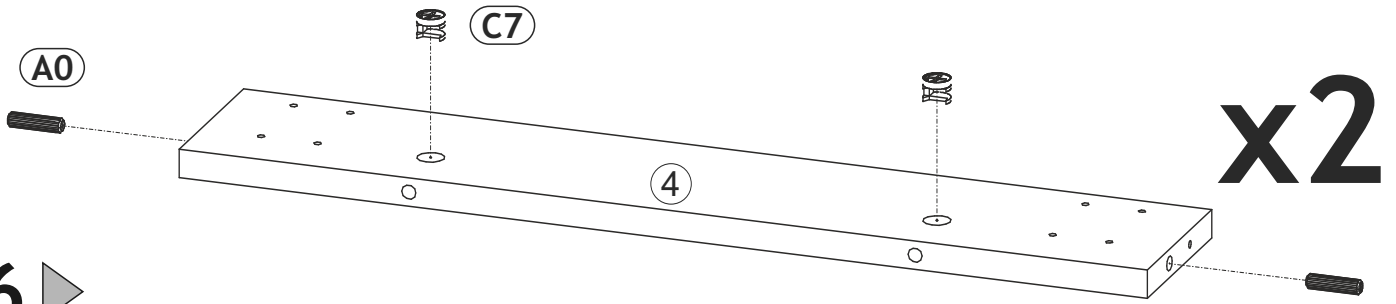
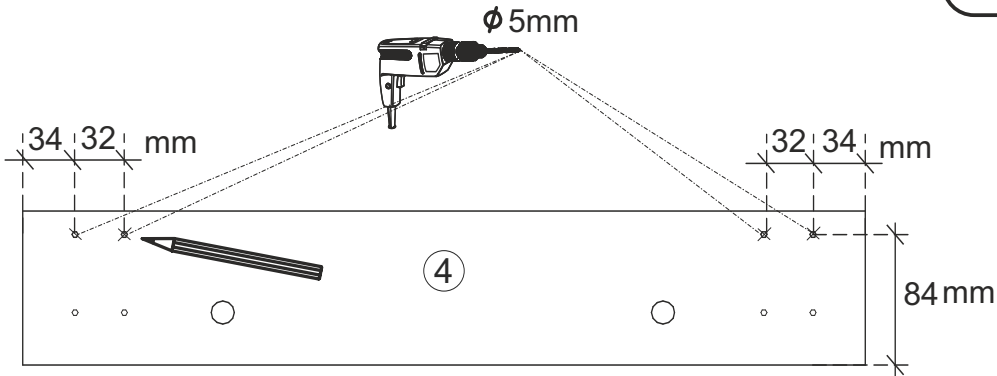
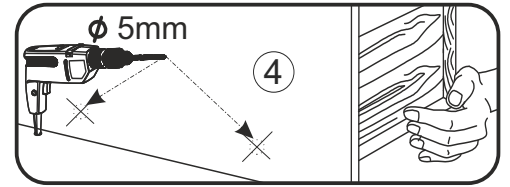


4 ▶



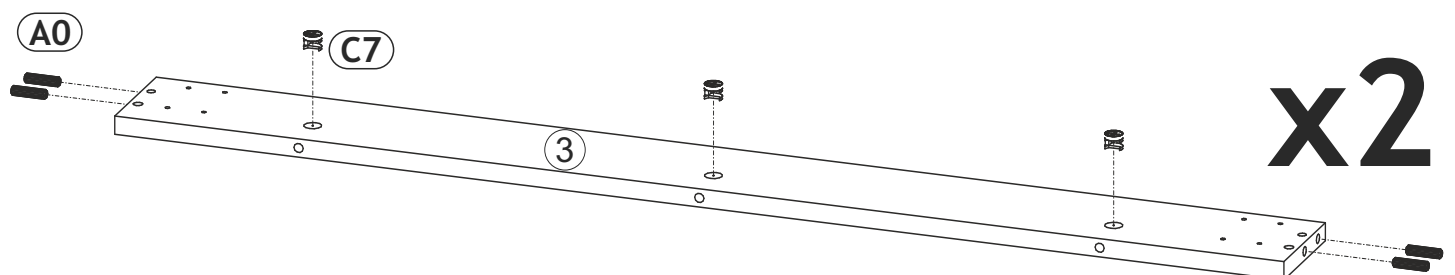
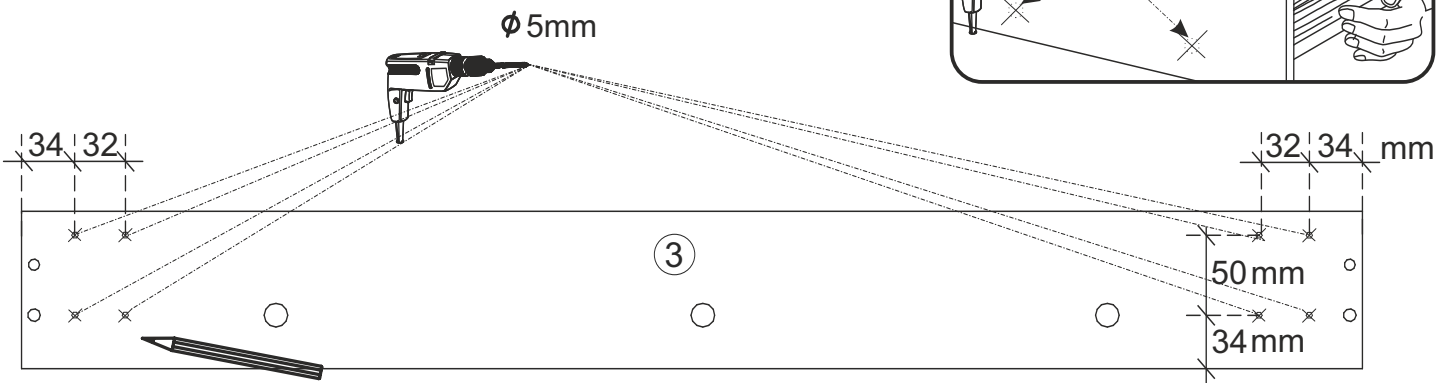
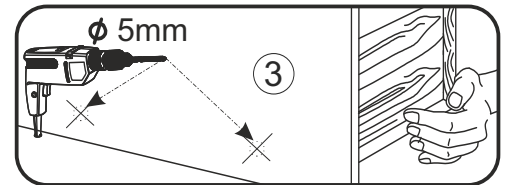
5 ▶

(A0)	8 x 30mm	x4	(C7)	16mm	x4
-------------	----------	-----------	-------------	------	-----------

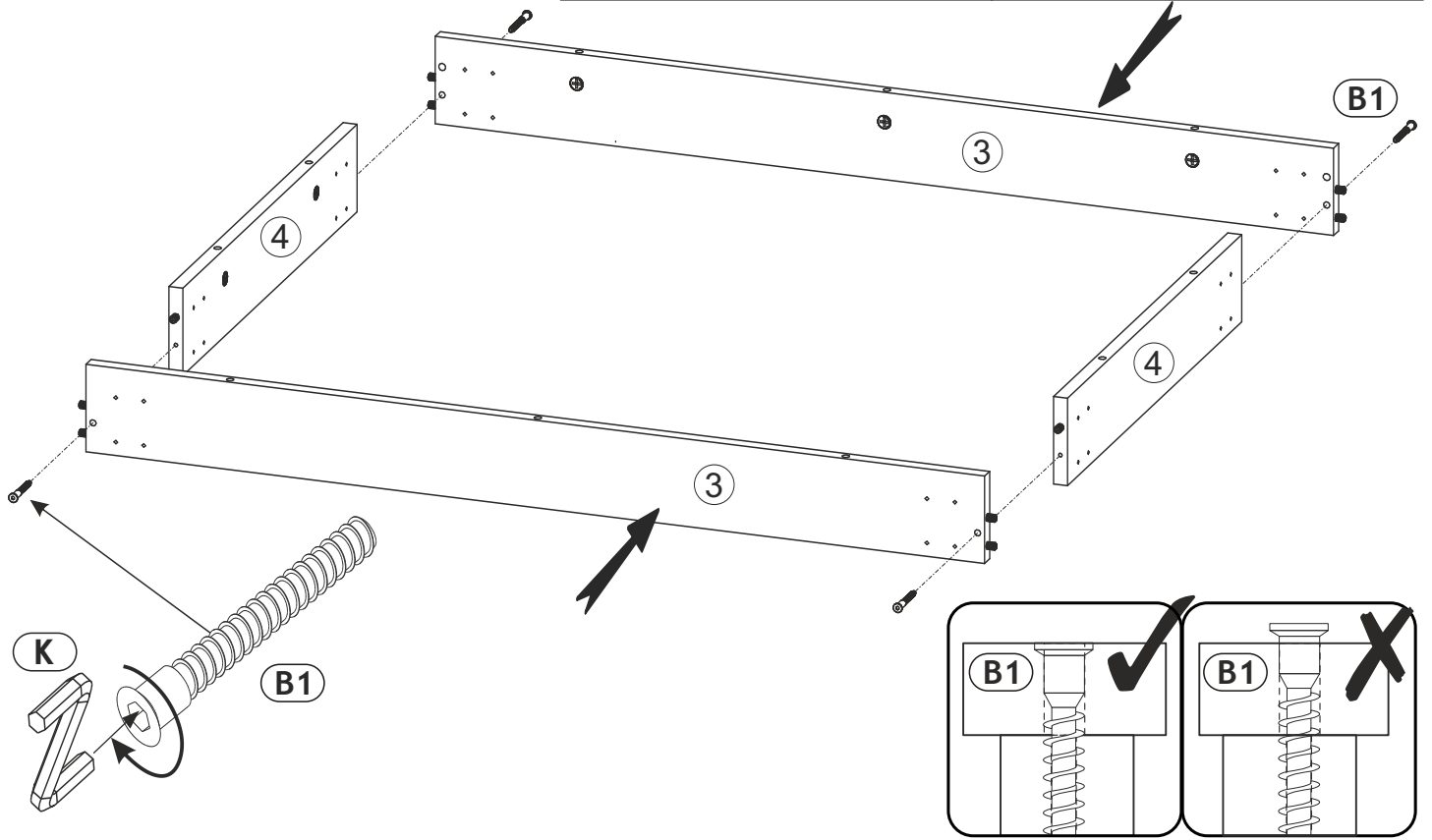
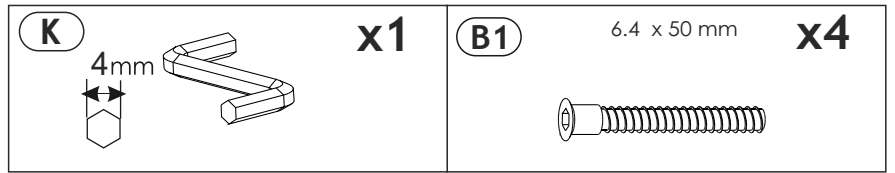


6 ▶

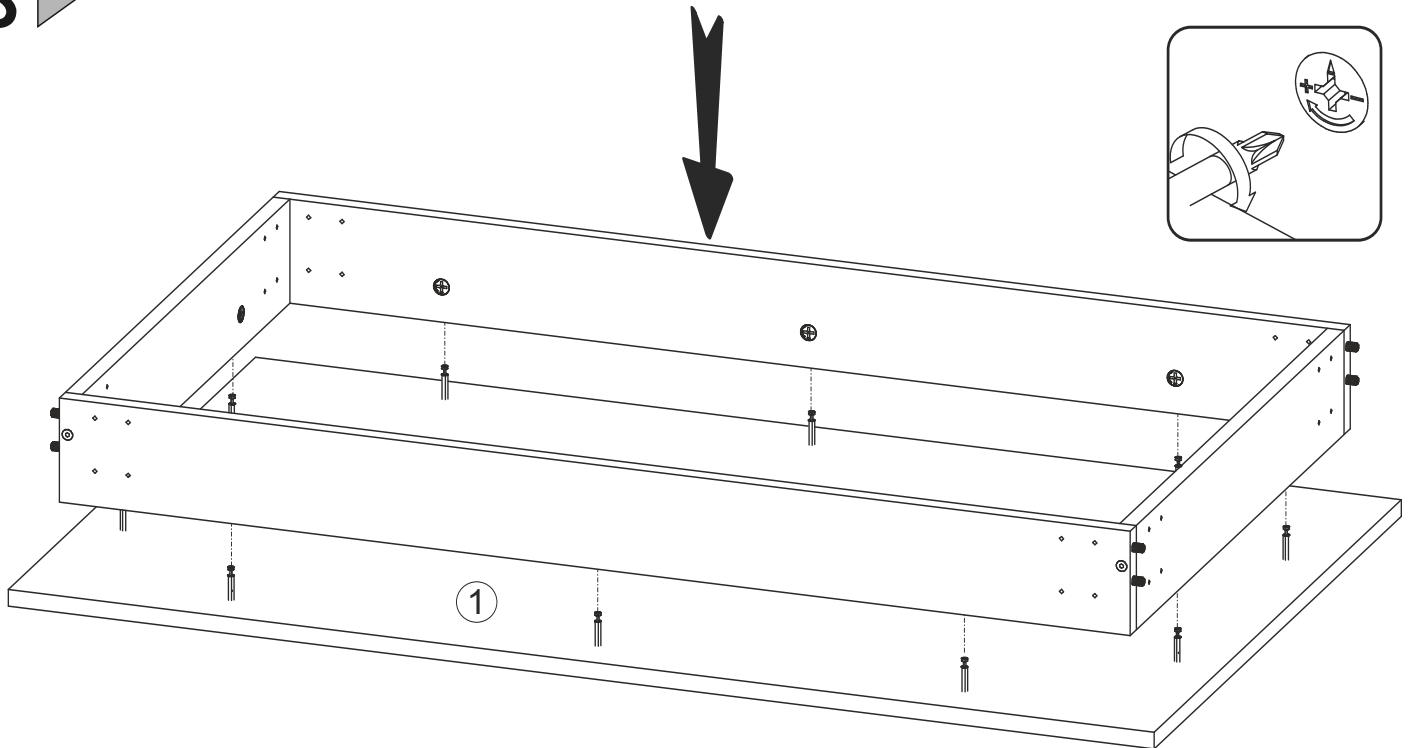
(A0)	8 x 30mm	x8	(C7)	16mm	x6
-------------	----------	-----------	-------------	------	-----------



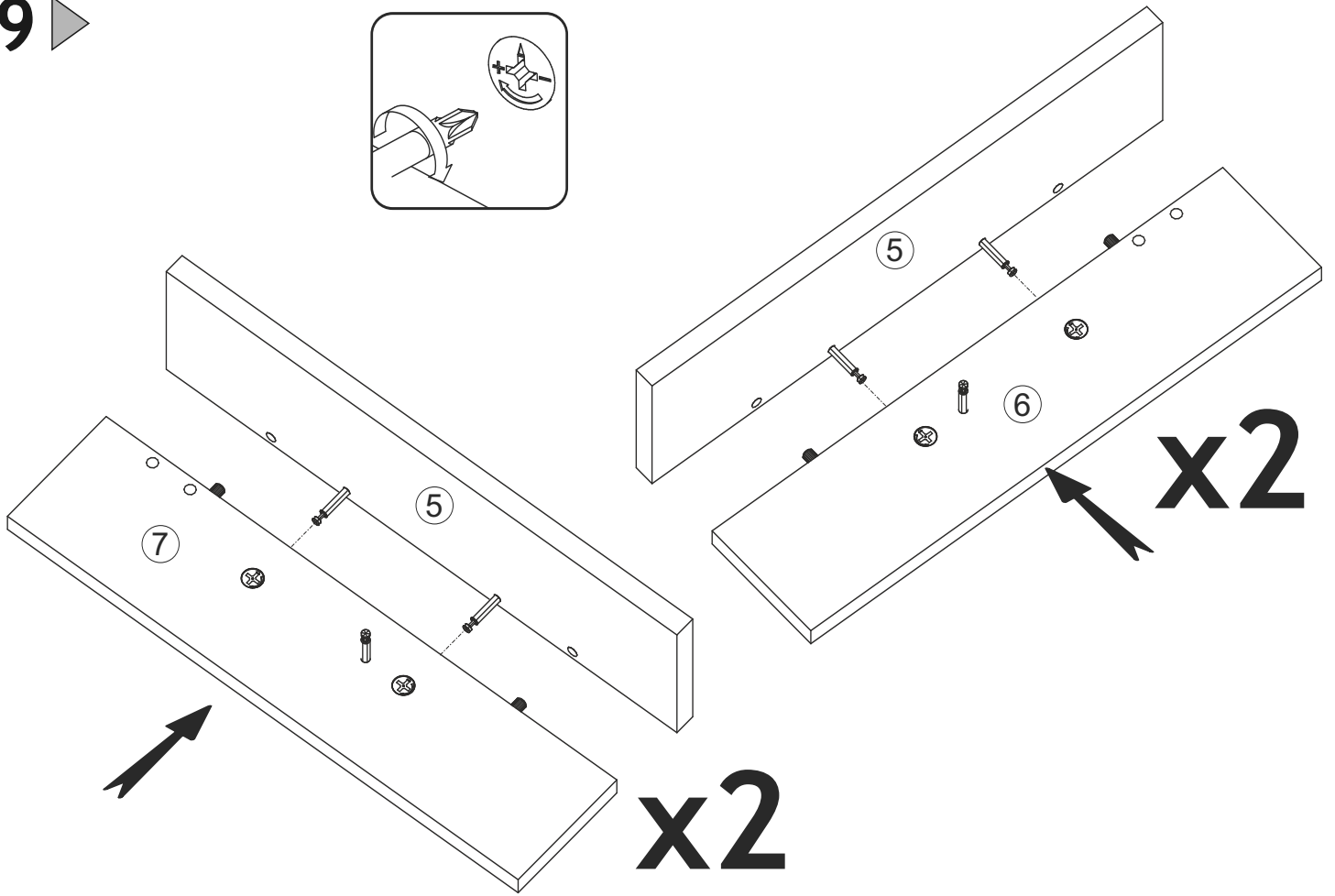
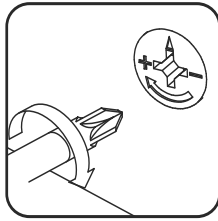
7 ▶



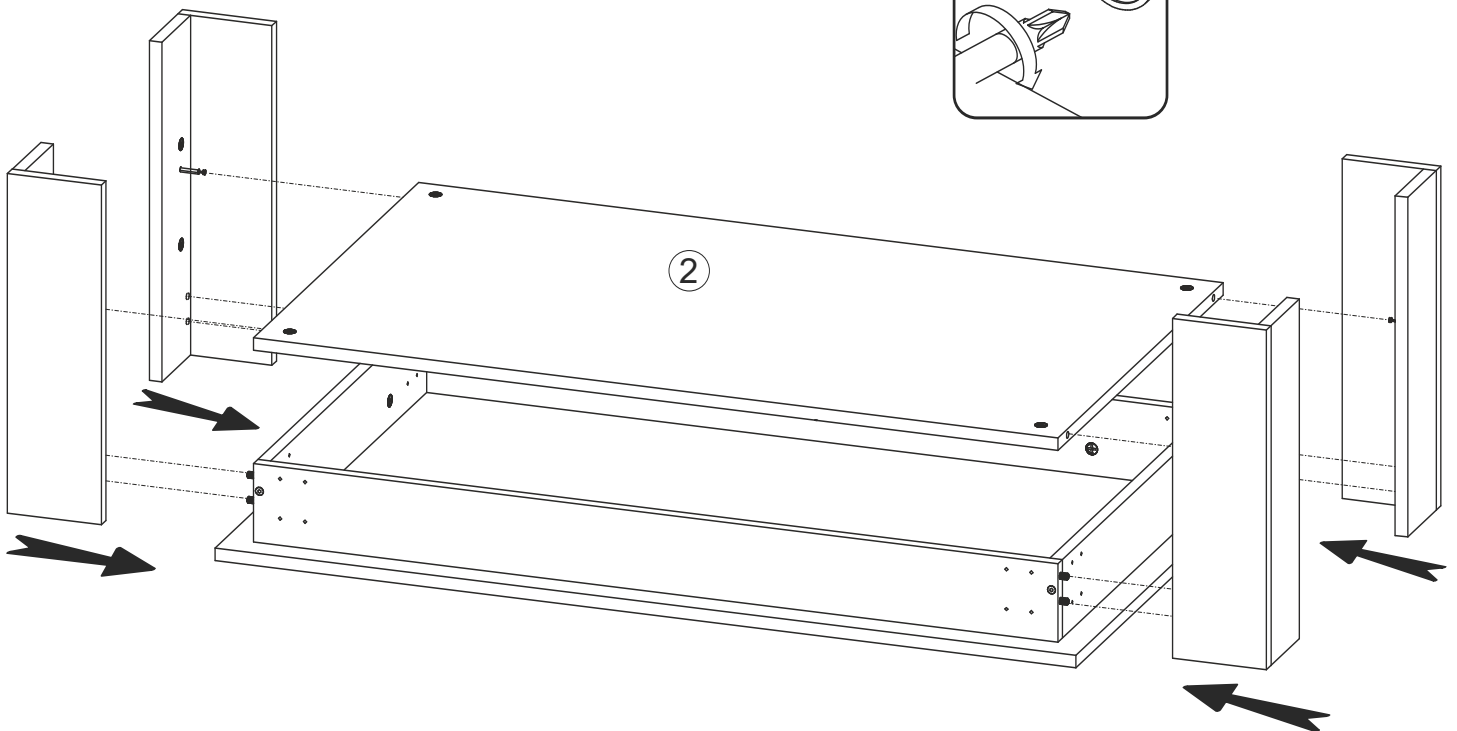
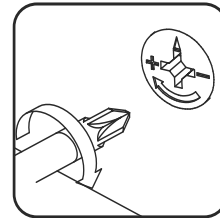
8 ▶



9 ▶

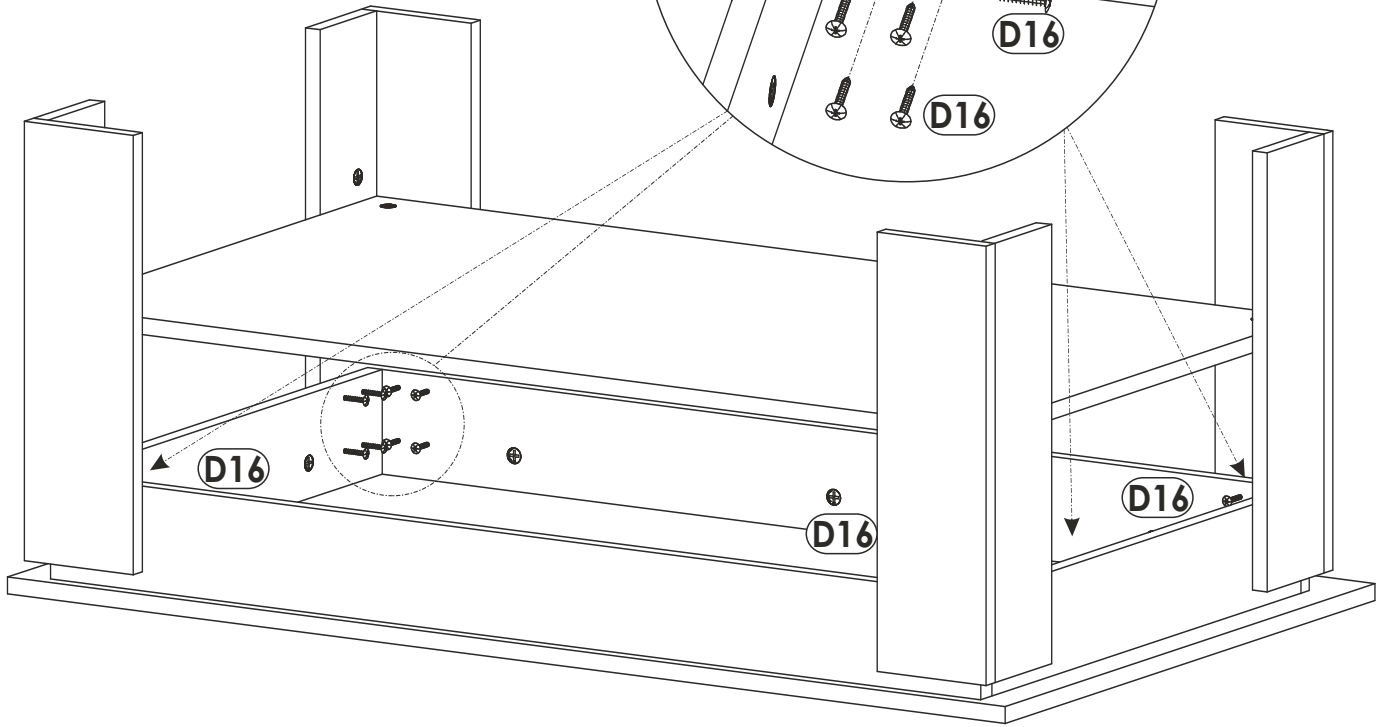
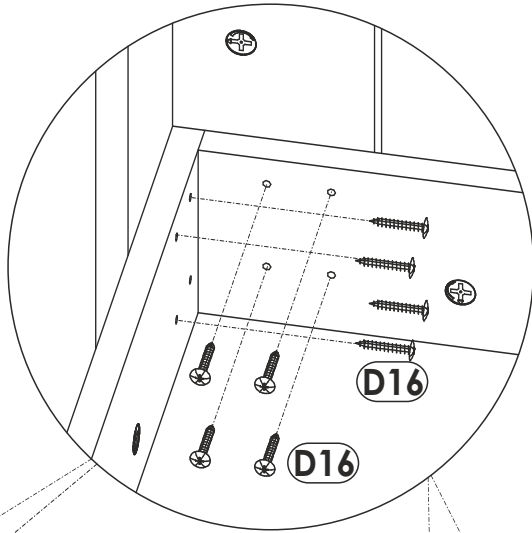
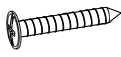


10 ▶



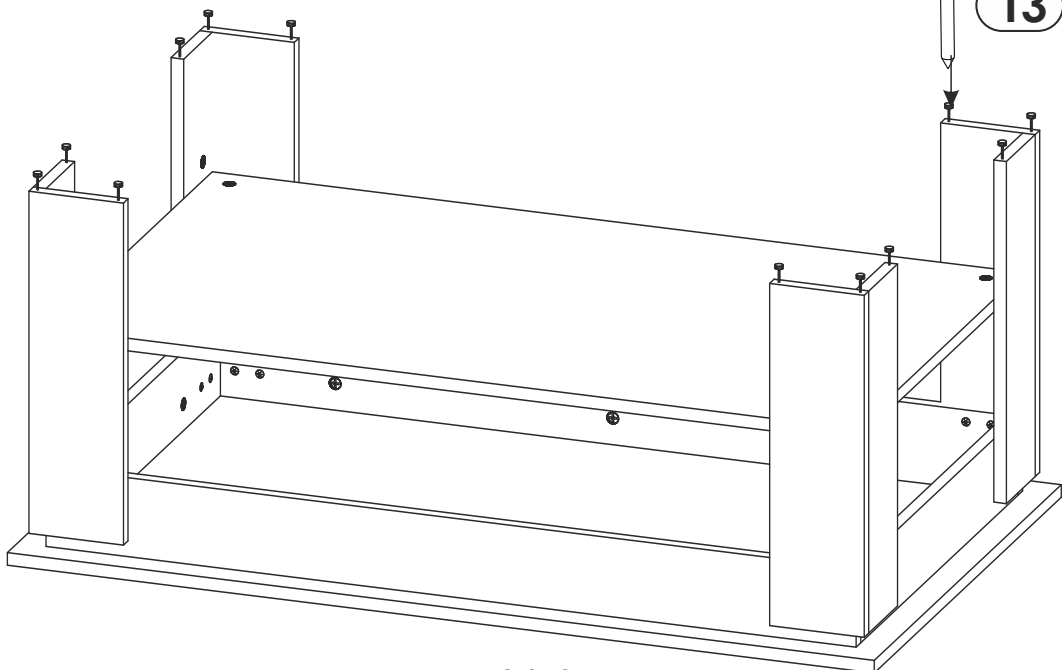
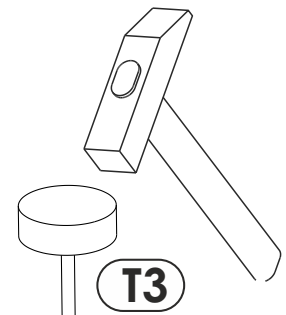
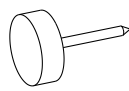
11 ▶

D16 4,2 x 28 mm **x32**

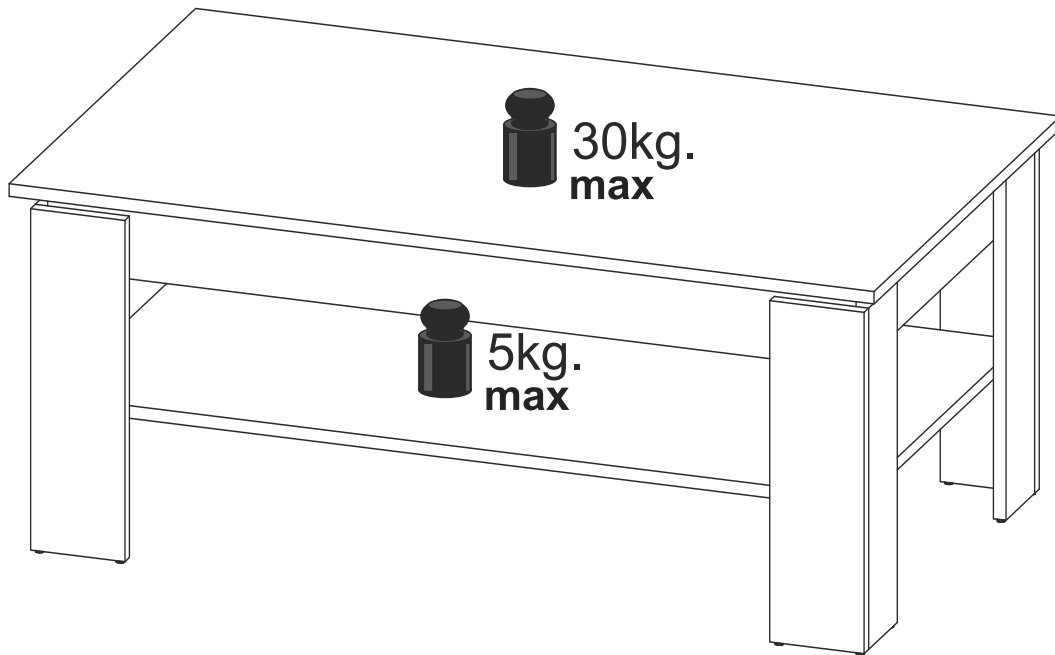
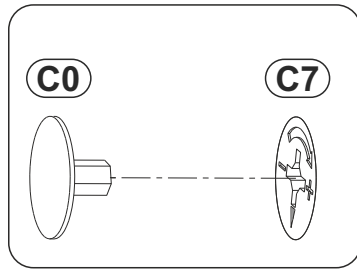
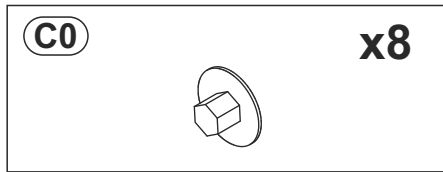


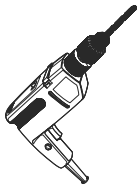
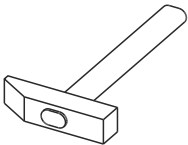
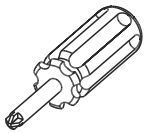
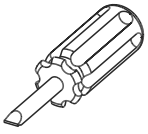
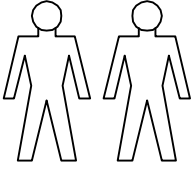
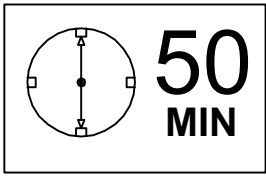
12 ▶

T3 **x12**

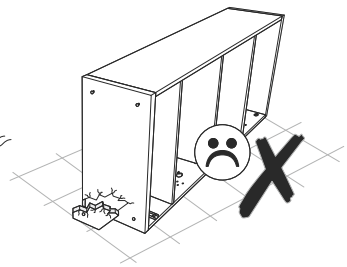
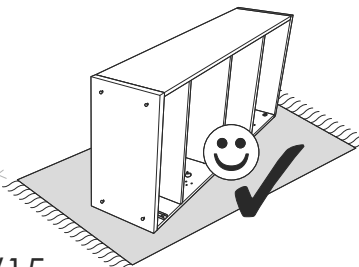
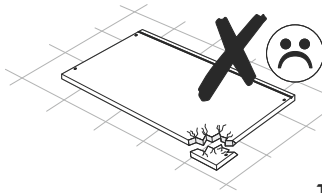
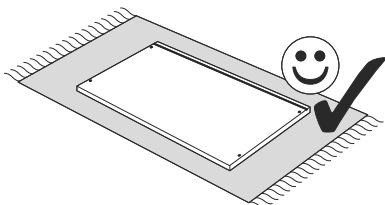
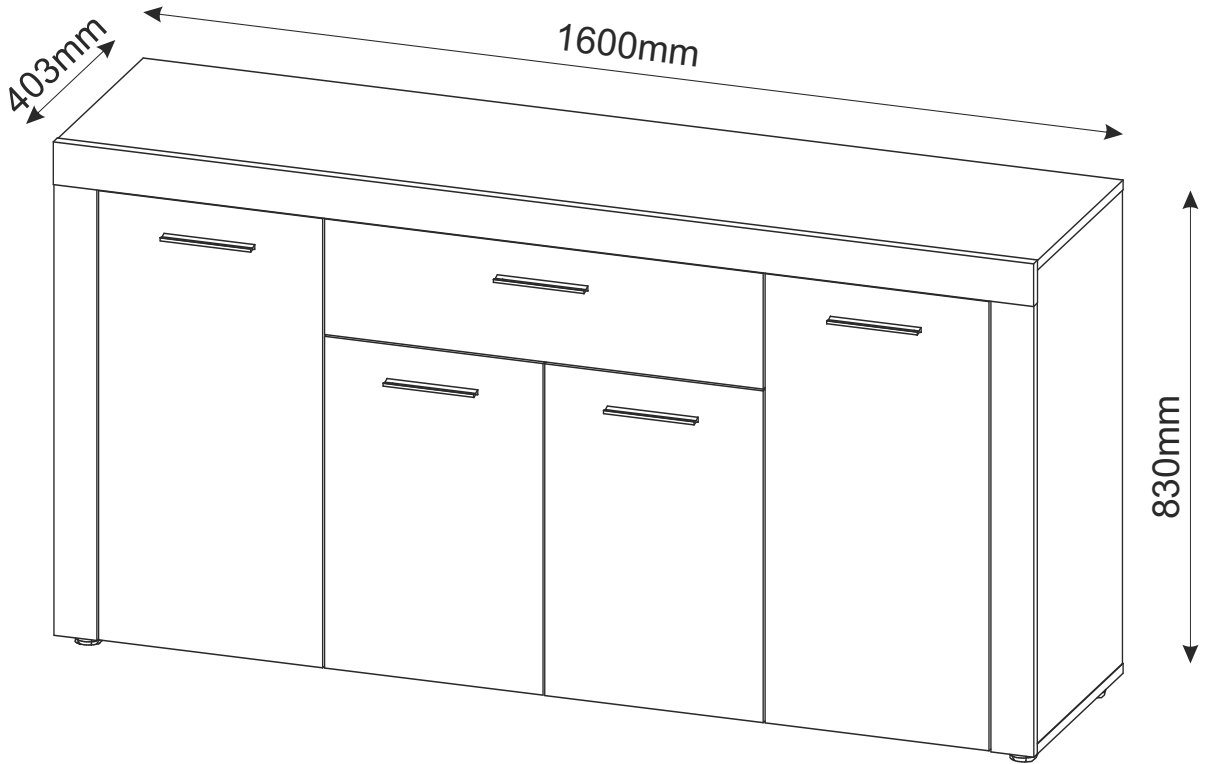


13 ▶






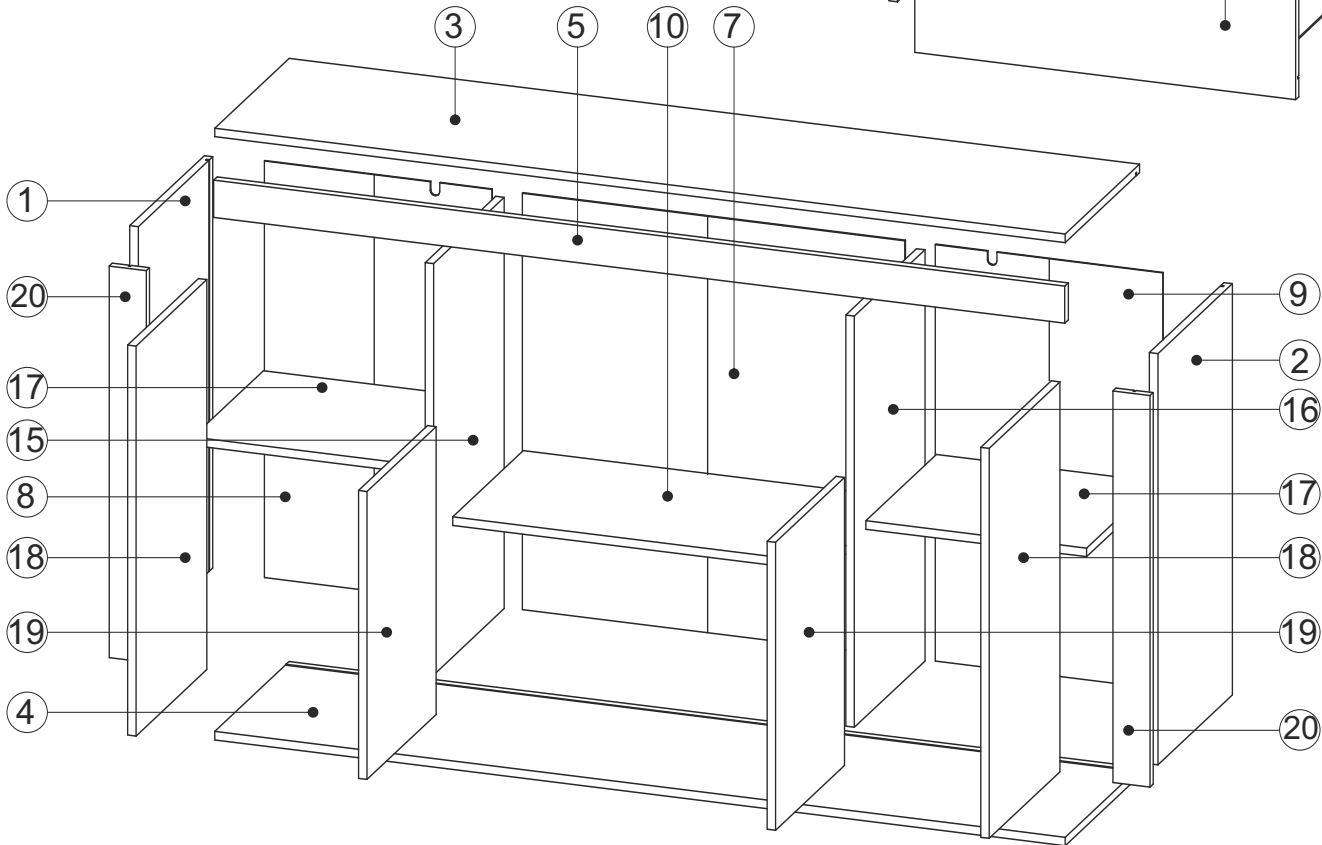
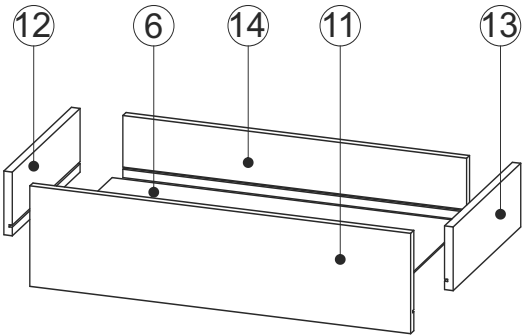
Ø5
Ø8



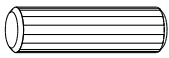
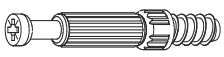


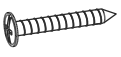
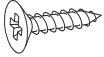


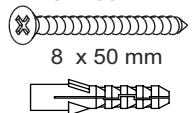

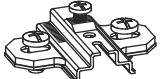
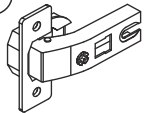
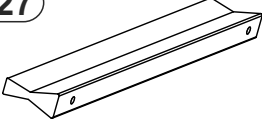
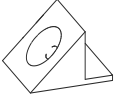
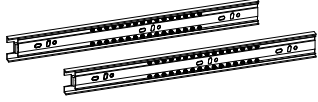
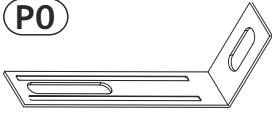
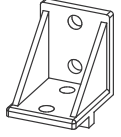





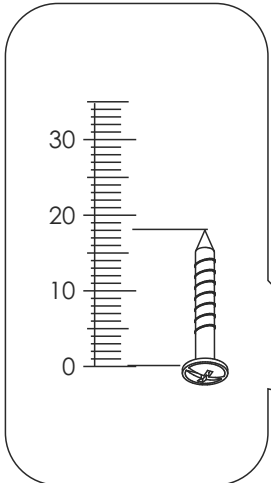
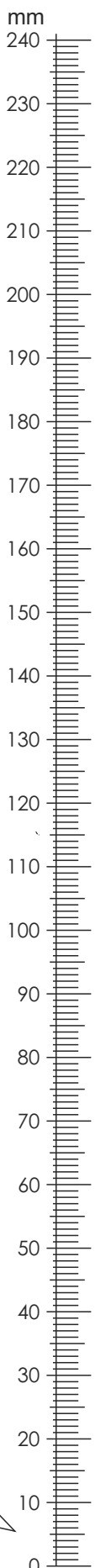
Chest 4D/1Dr					
1	774	385	16	x1	1/2
2	774	385	16	x1	1/2
3	1601	385	16	x1	1/2
4	1601	385	16	x1	1/2
5	1602	70	18	x1	1/2
6	344	657	2.8	x1	1/2
7	784	720	2.8	x1	1/2
8	784	428	2.8	x1	1/2
9	784	428	2.8	x1	1/2
10	704	365	16	x1	2/2

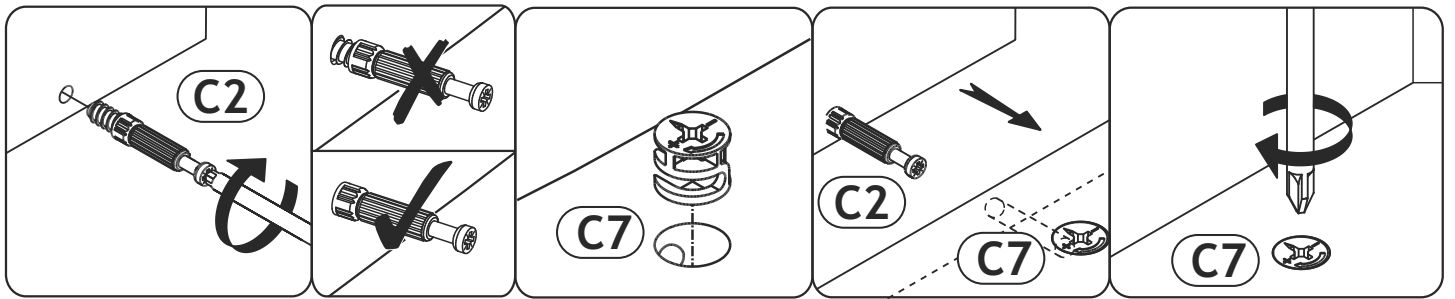
11	717	189	16	x1	2/2
12	350	120	16	x1	2/2
13	350	120	16	x1	2/2
14	647	117	16	x1	2/2
15	774	365	16	x1	2/2
16	774	365	16	x1	2/2
17	416	365	16	x2	2/2
18	366	734	16	x2	2/2
19	357	542	16	x2	2/2
20	737	70	16	x2	2/2
21					2/2



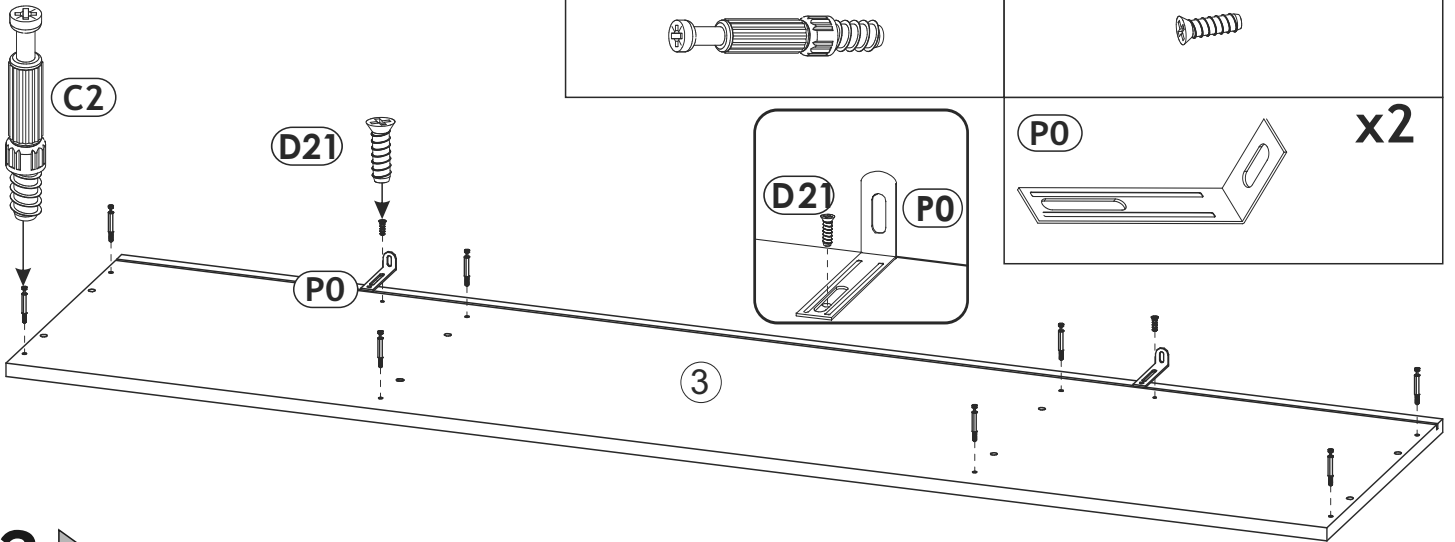


A0 8 x 30mm x24 	B1 6.4 x 50 mm x10 	C0 x10 
C2 x10 	C7 16mm x10 	D0 3 x 15 mm x40 
D6 3 x 20 mm x22 	D7 3,5 x 27 mm x10 	D10 4 x 16 mm x16 
D12 4 x 25 mm x6 	D21 5 x 13 mm x16 	E0 5 x 50 mm 8 x 50 mm x2 
J5 x4 	J6 x4 	J15 x4 
J15 x4 	K 4mm x1 	L27 x5 
M1 x18 	M3 x4 	N7 L-350 x1 
P0 x2 	P27 x10 	U0 x10 
T17 x6 	Q0 x12 	

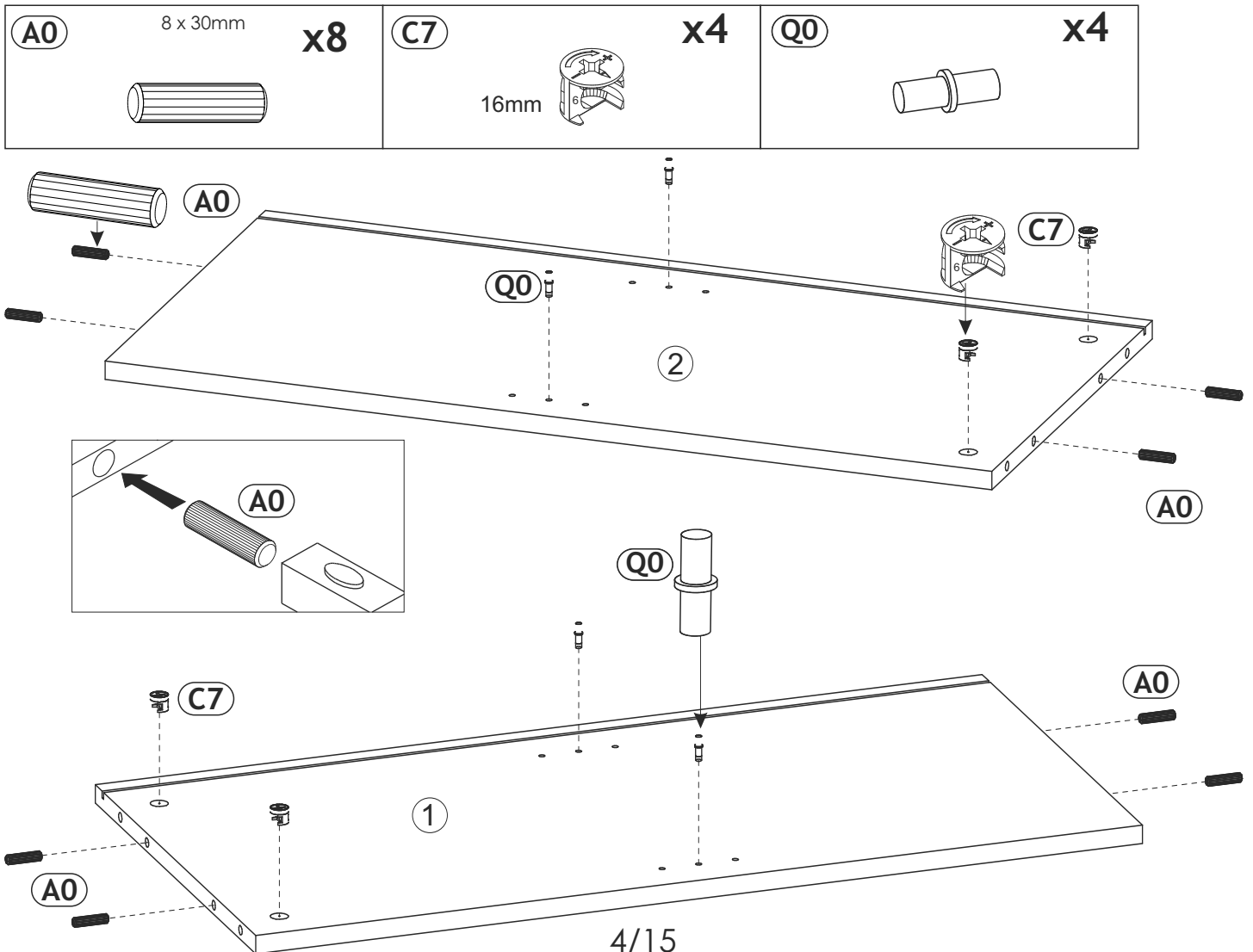








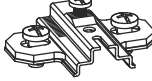

1 ▶

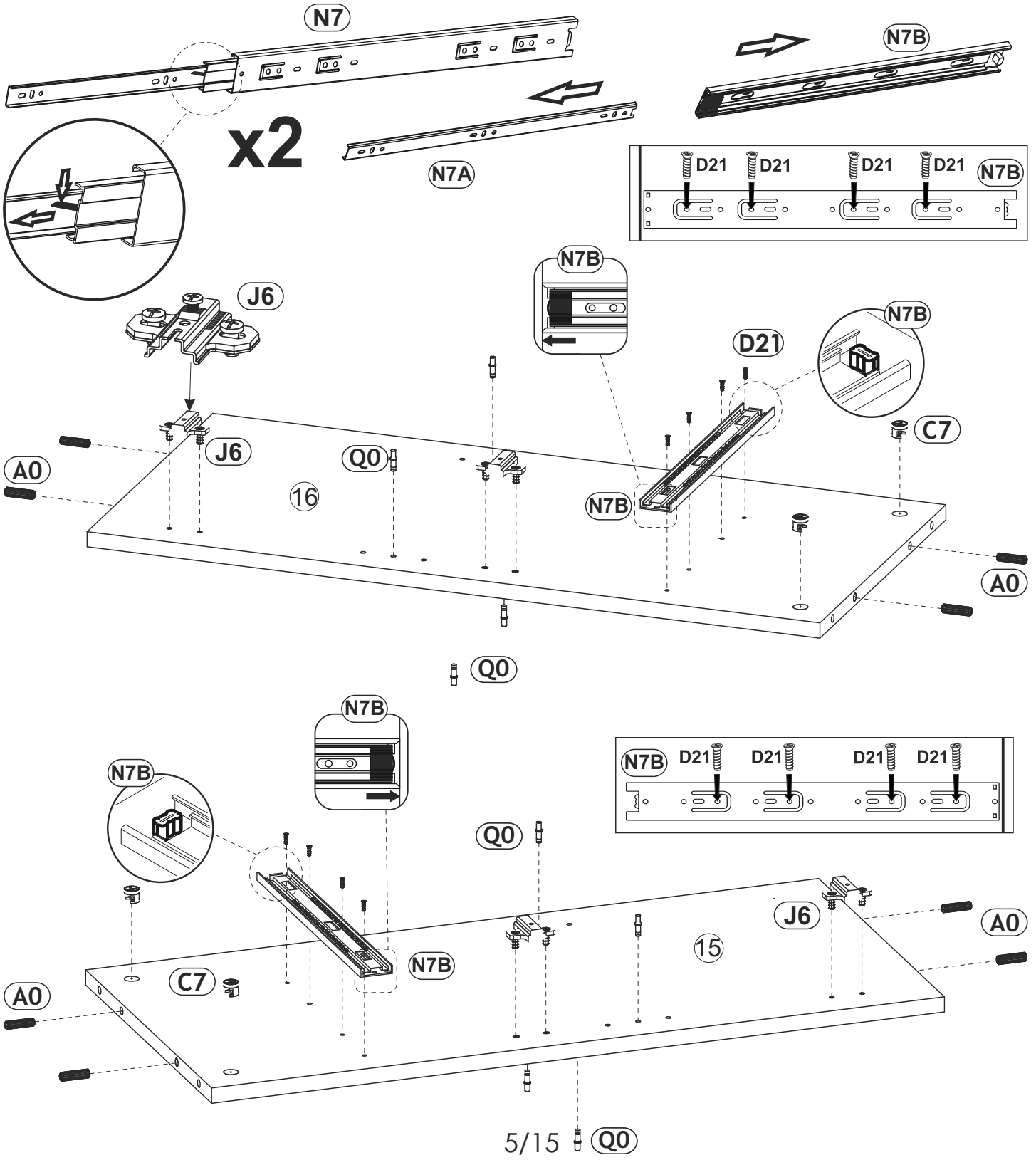


2 ▶


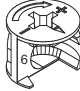



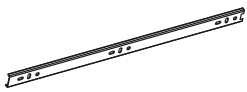
3 ▶

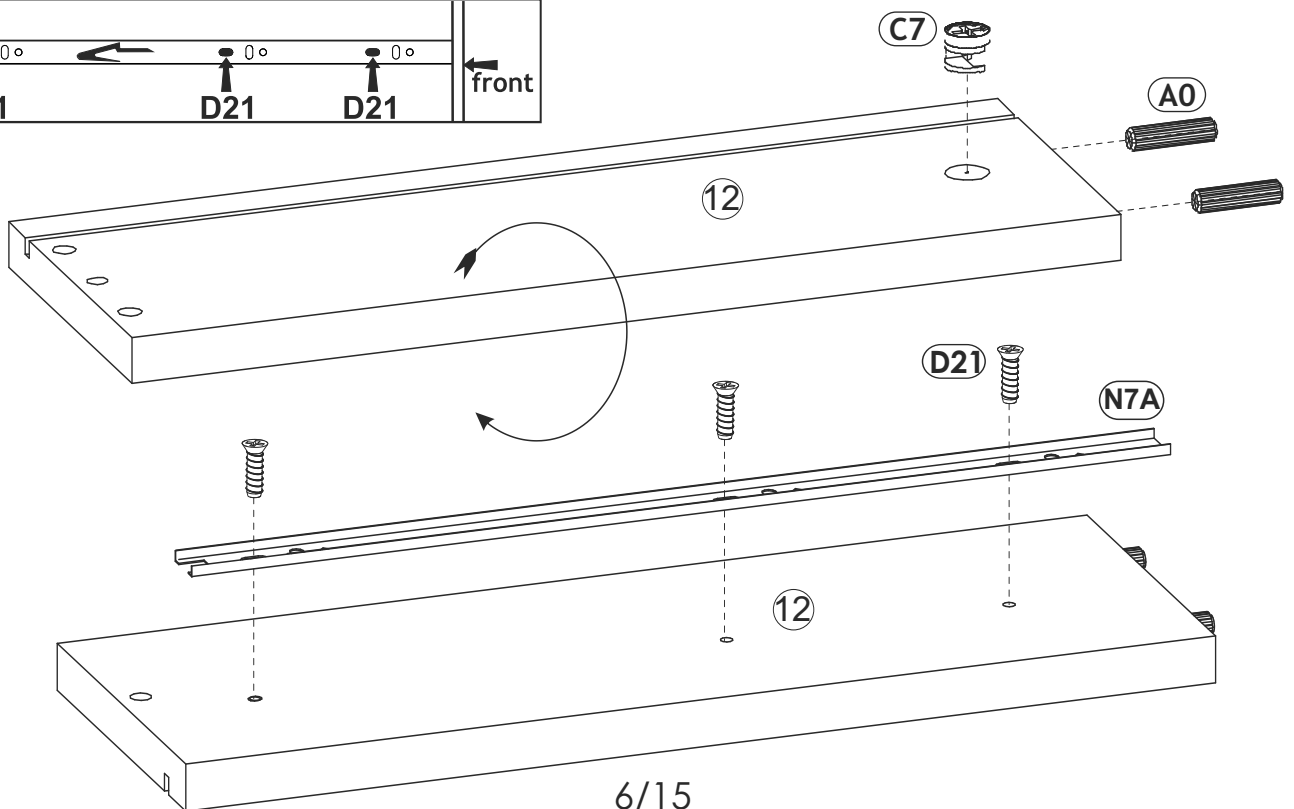
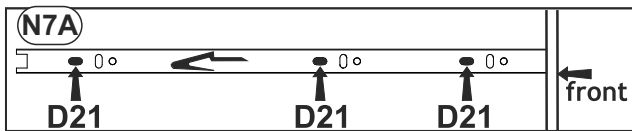
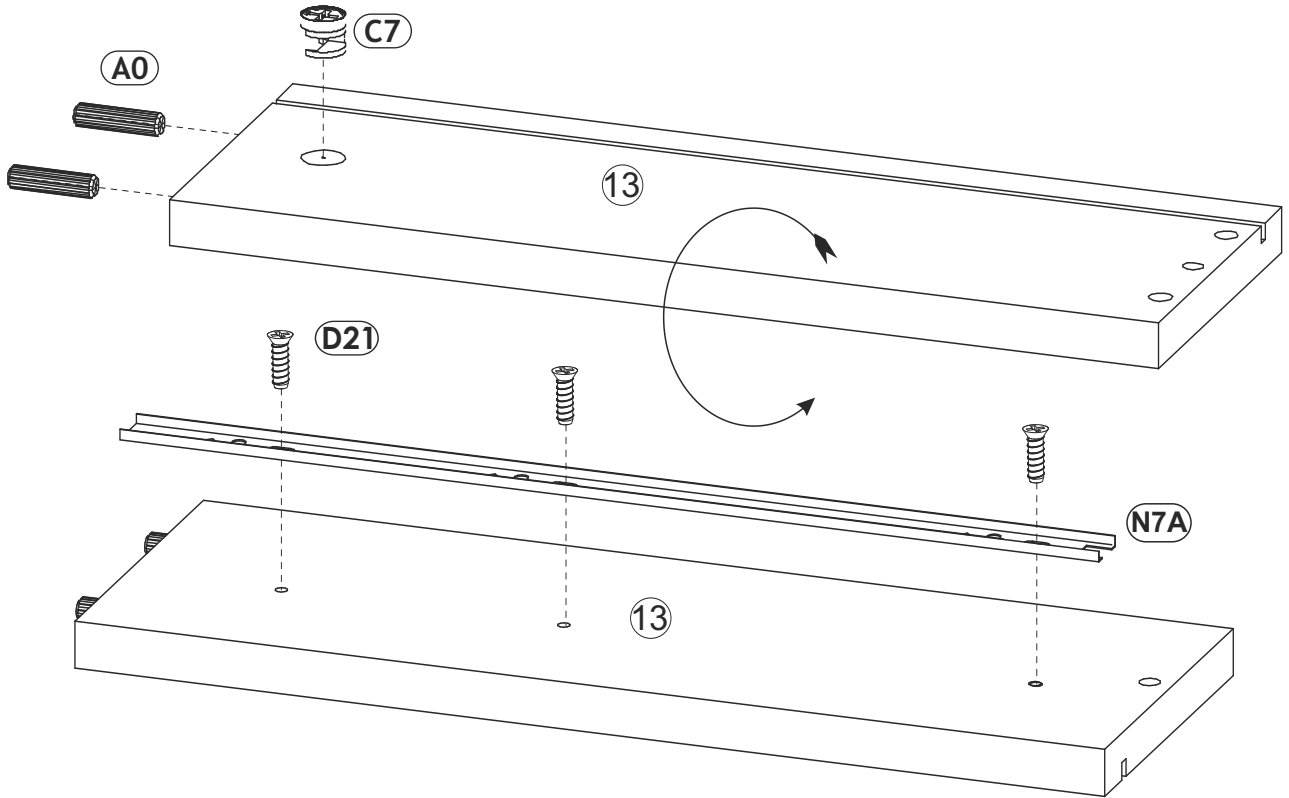
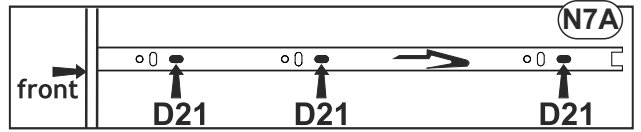
A0 8 x 30mm x8 	C7 16mm x4 	D21 5 x 13 mm x8 
N7 L-350 x1 	J6 x4 	Q0 x8 



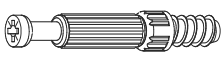
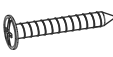
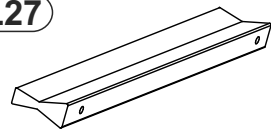
4

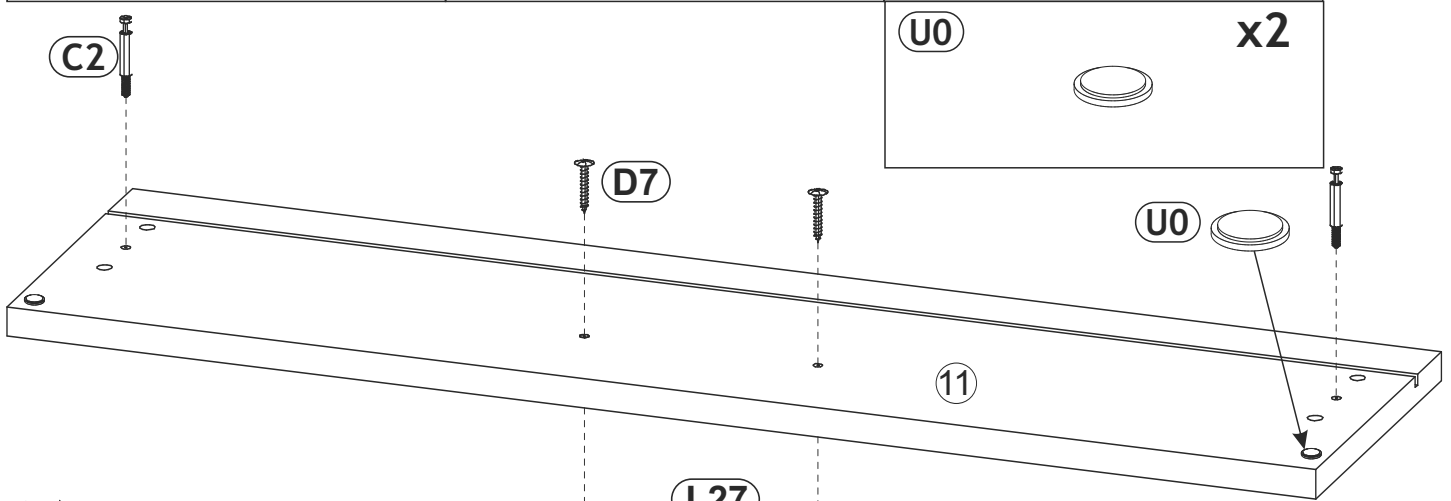
(A0) 8 x 30mm x4 	(C7) 16mm x2 	(D21) 5 x 13 mm x6 
---	---	---

(N7A) L-350 x2 




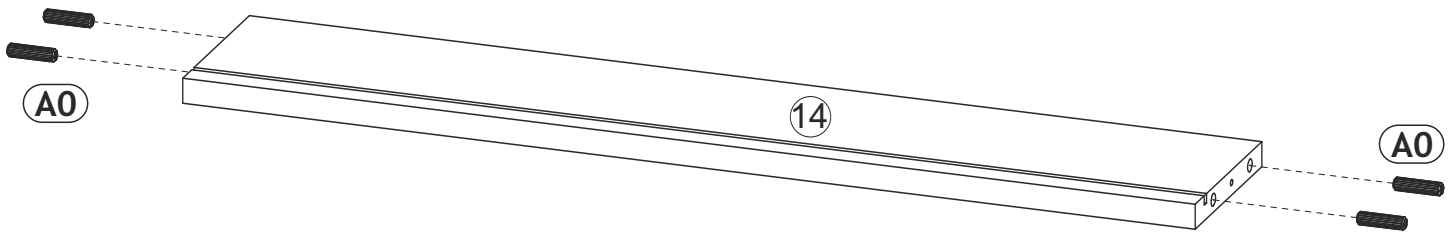
5 ▶

(C2)  x2	(D7)  3,5 x 27 mm x2	(L27)  x1
---	---	--


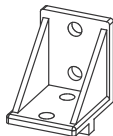
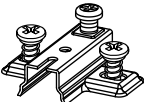


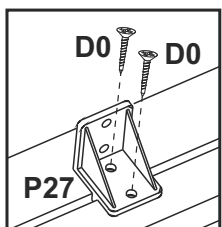
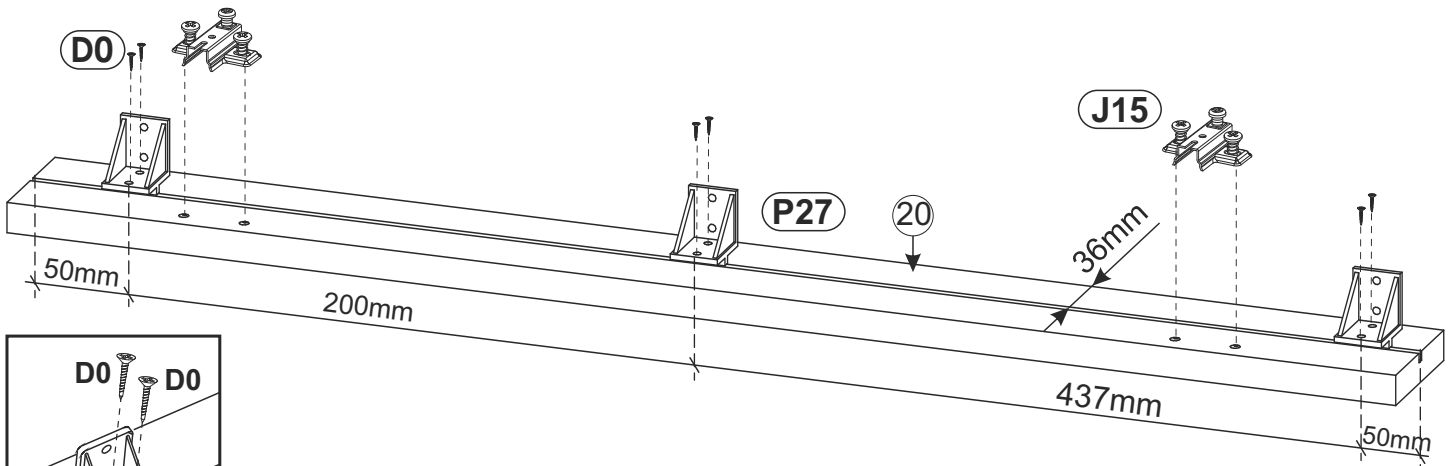
6 ▶

(A0)  8 x 30mm x4

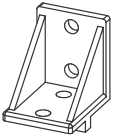


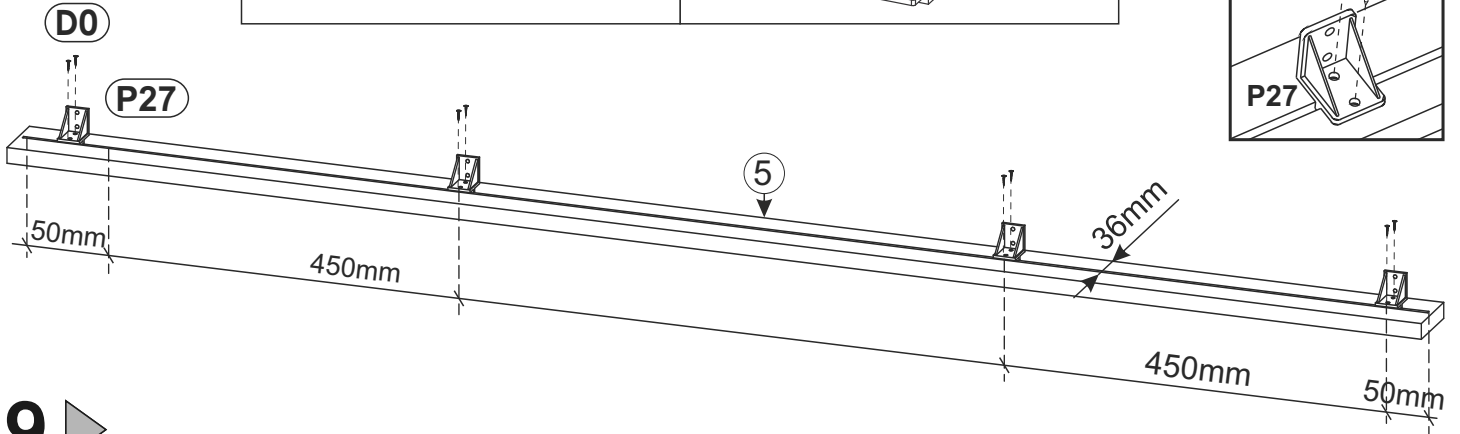
7 ▶

(D0)  3 x 15 mm x12	(P27)  x6	(J15)  x4
--	--	--

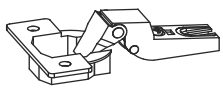
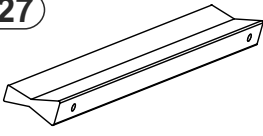



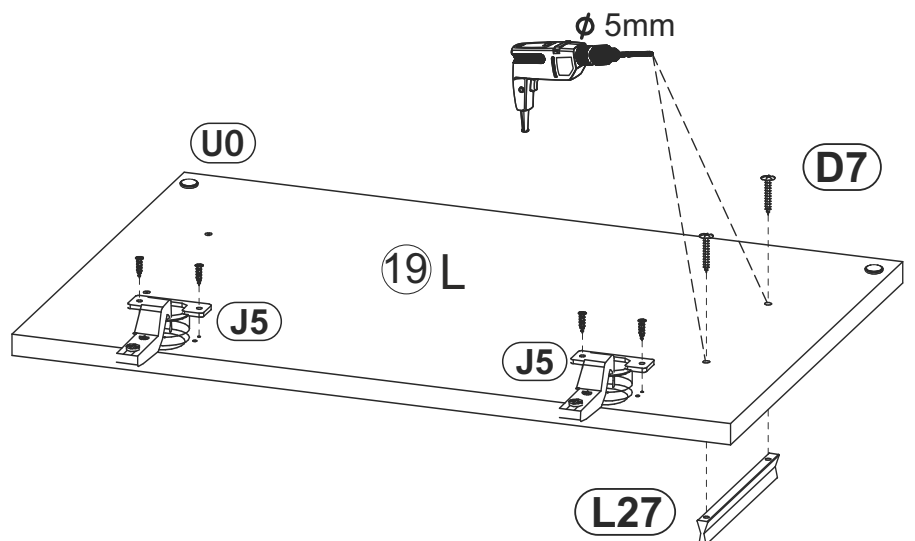
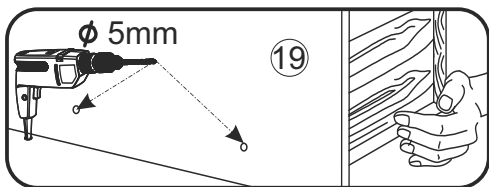
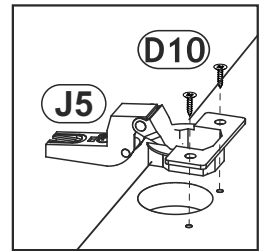
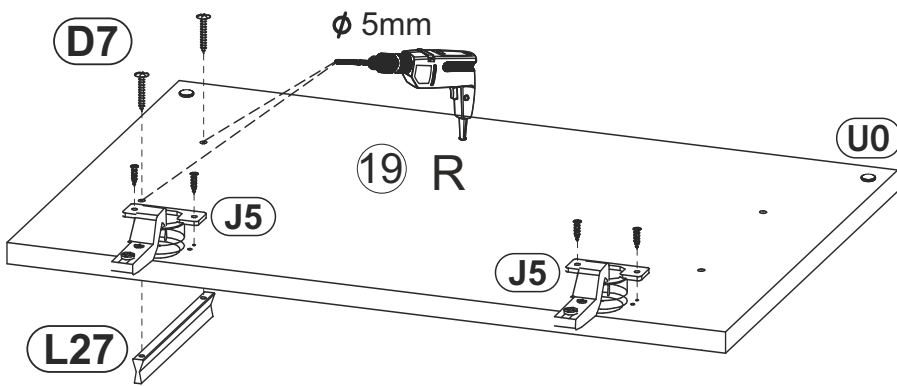
8

D0	3 x 15 mm	x8	P27		x4
-----------	-----------	-----------	------------	---	-----------


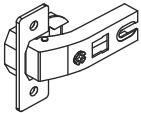
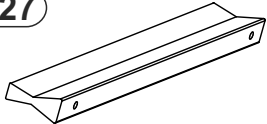
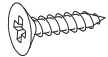



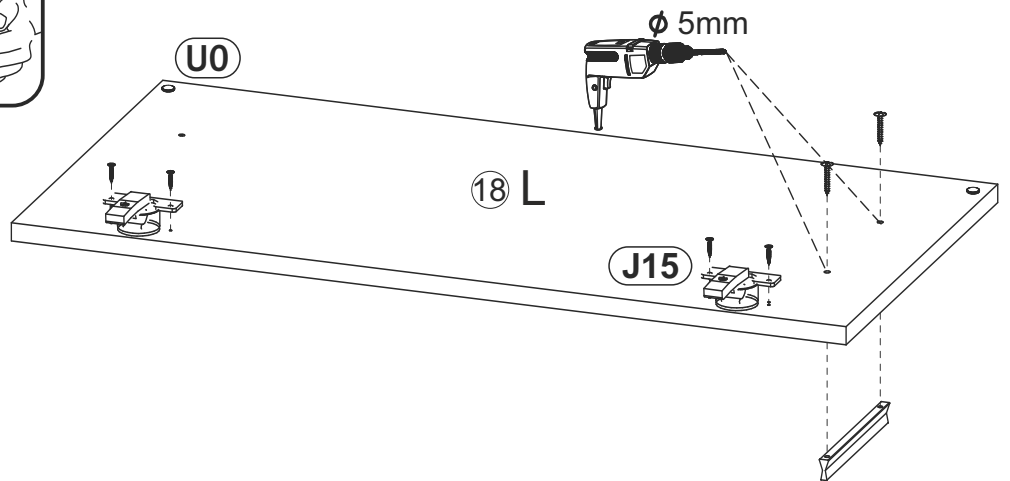
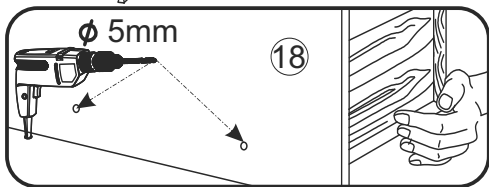
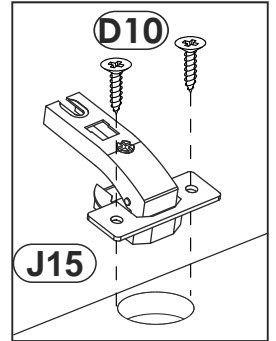
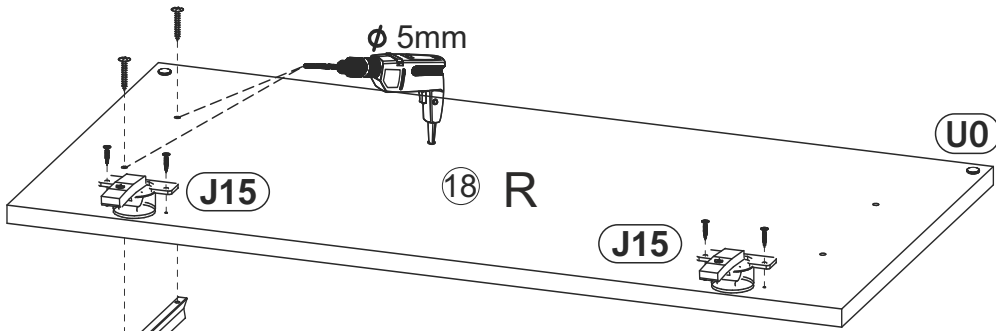
9

D7	3,5 x 27 mm	x4	J5		x4	L27		x2
D10	4 x 16 mm	x8	U0		x4			



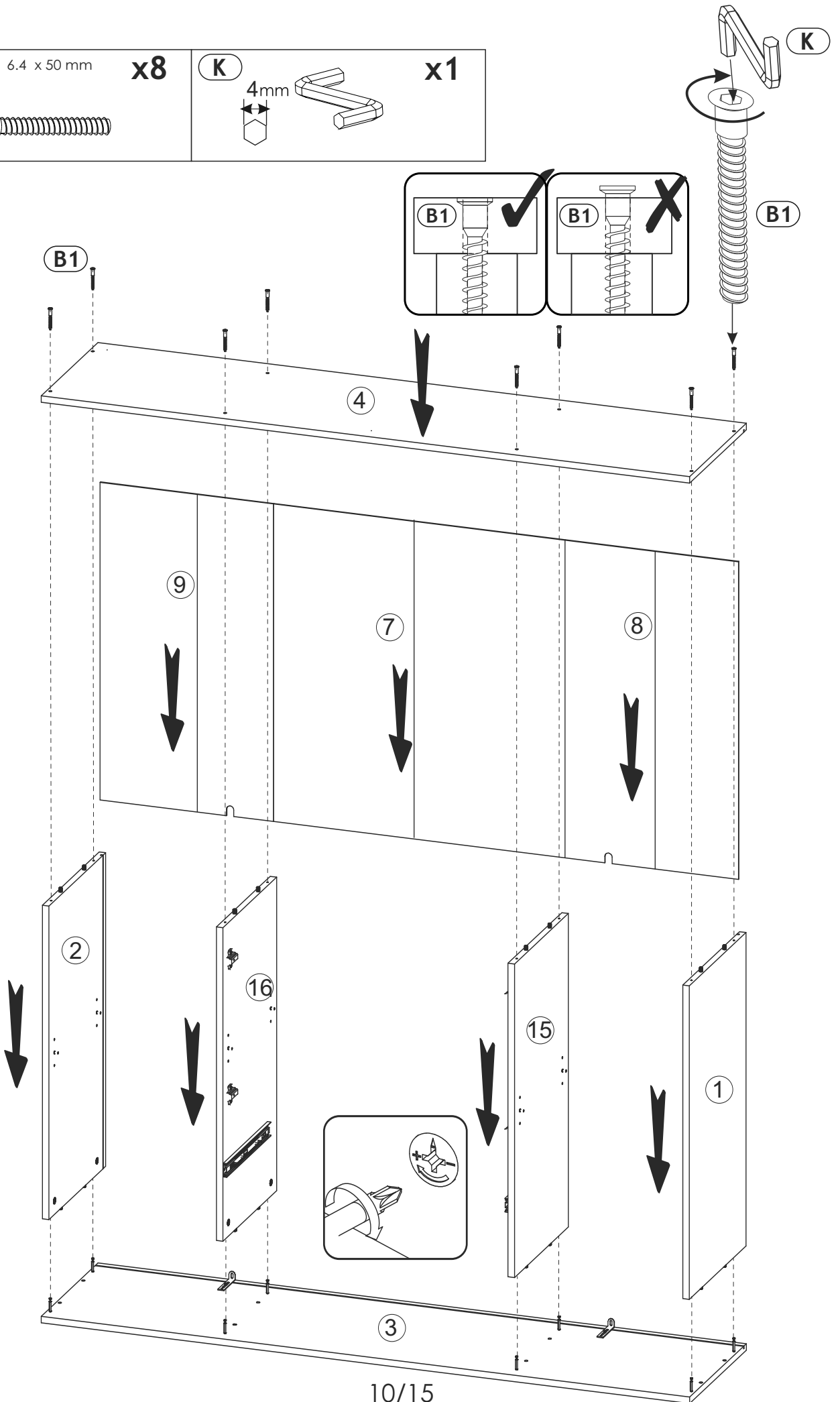
10 ▶

(D7) 3,5 x 27 mm  x4	(J15)  x4	(L27)  x2
(D10) 4 x 16 mm  x8	(U0)  x4	



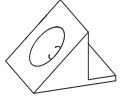
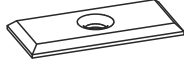
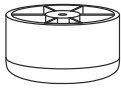


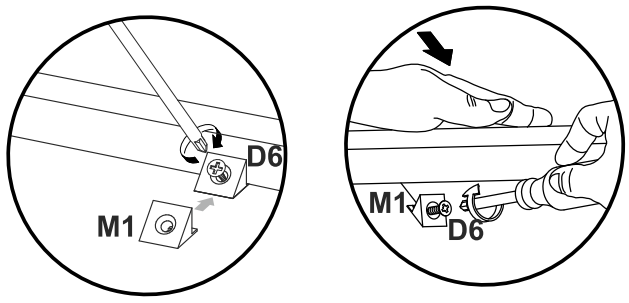
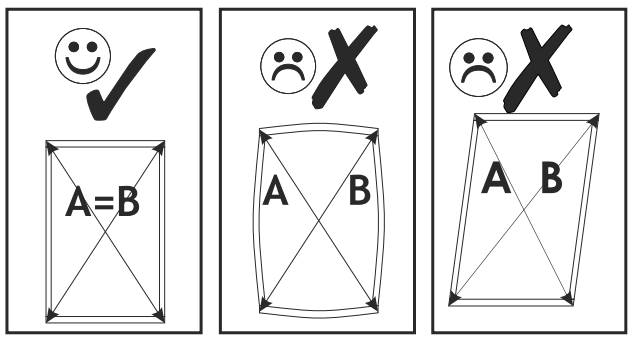
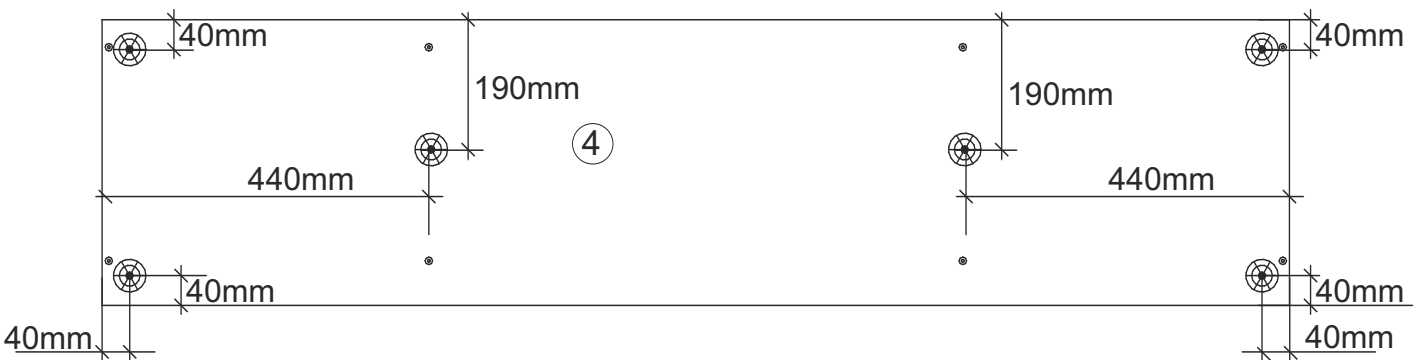
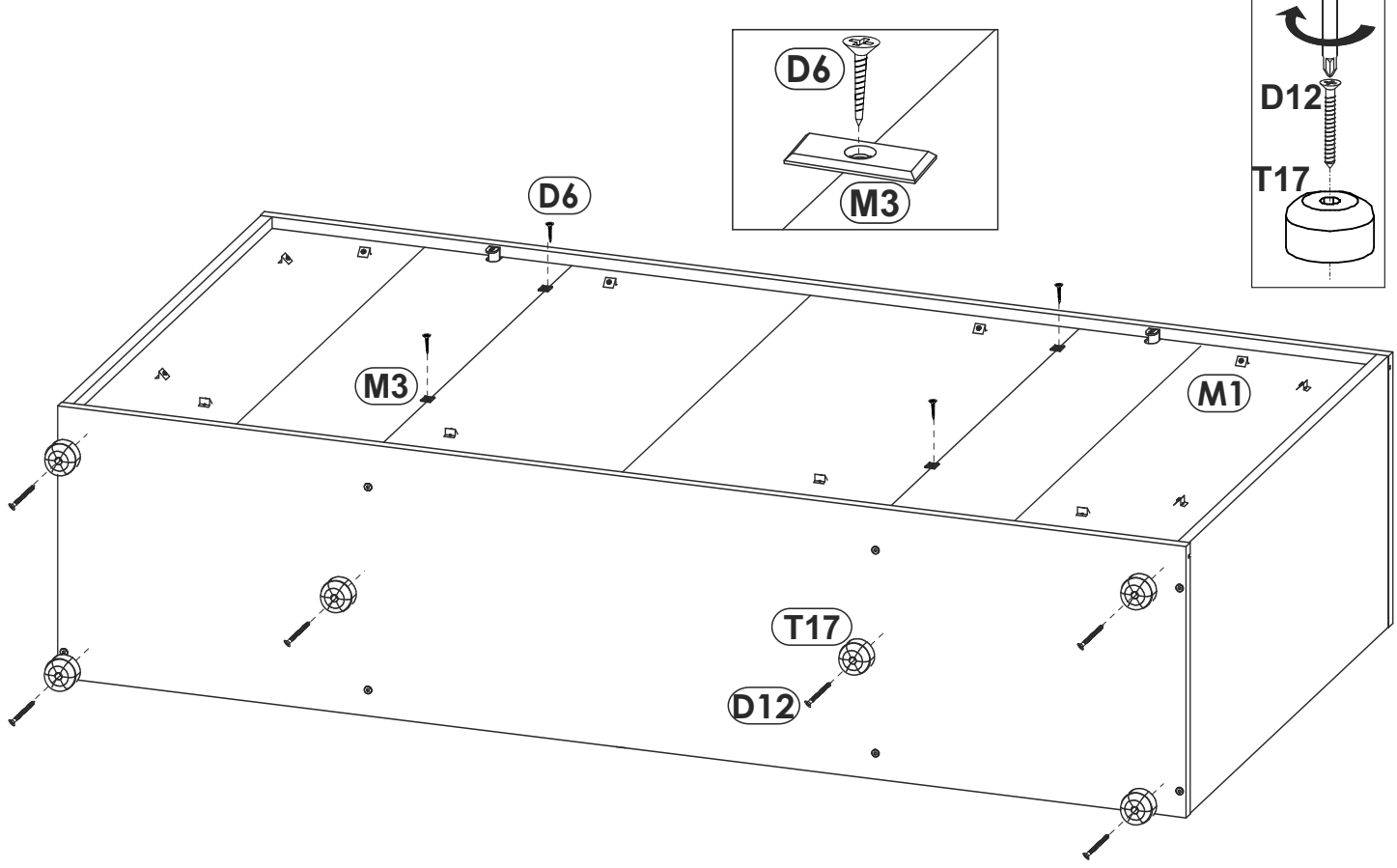
11 ▶

B1	6.4 x 50 mm	x8	K	4mm	x1
-----------	-------------	-----------	----------	-----	-----------

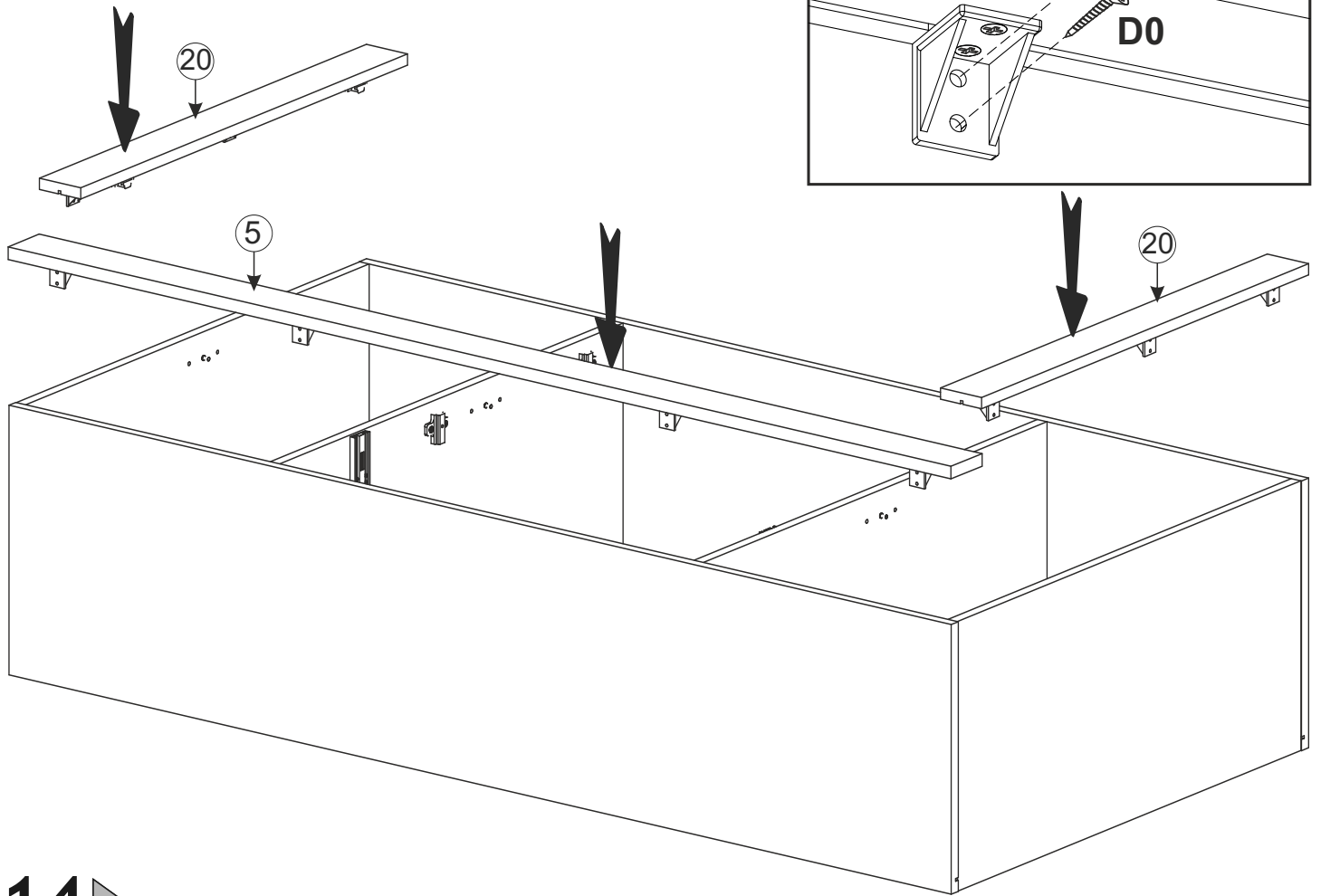
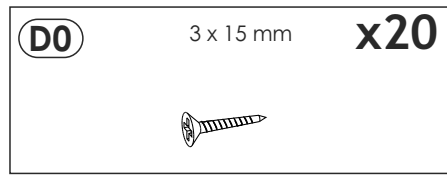


12 ▶

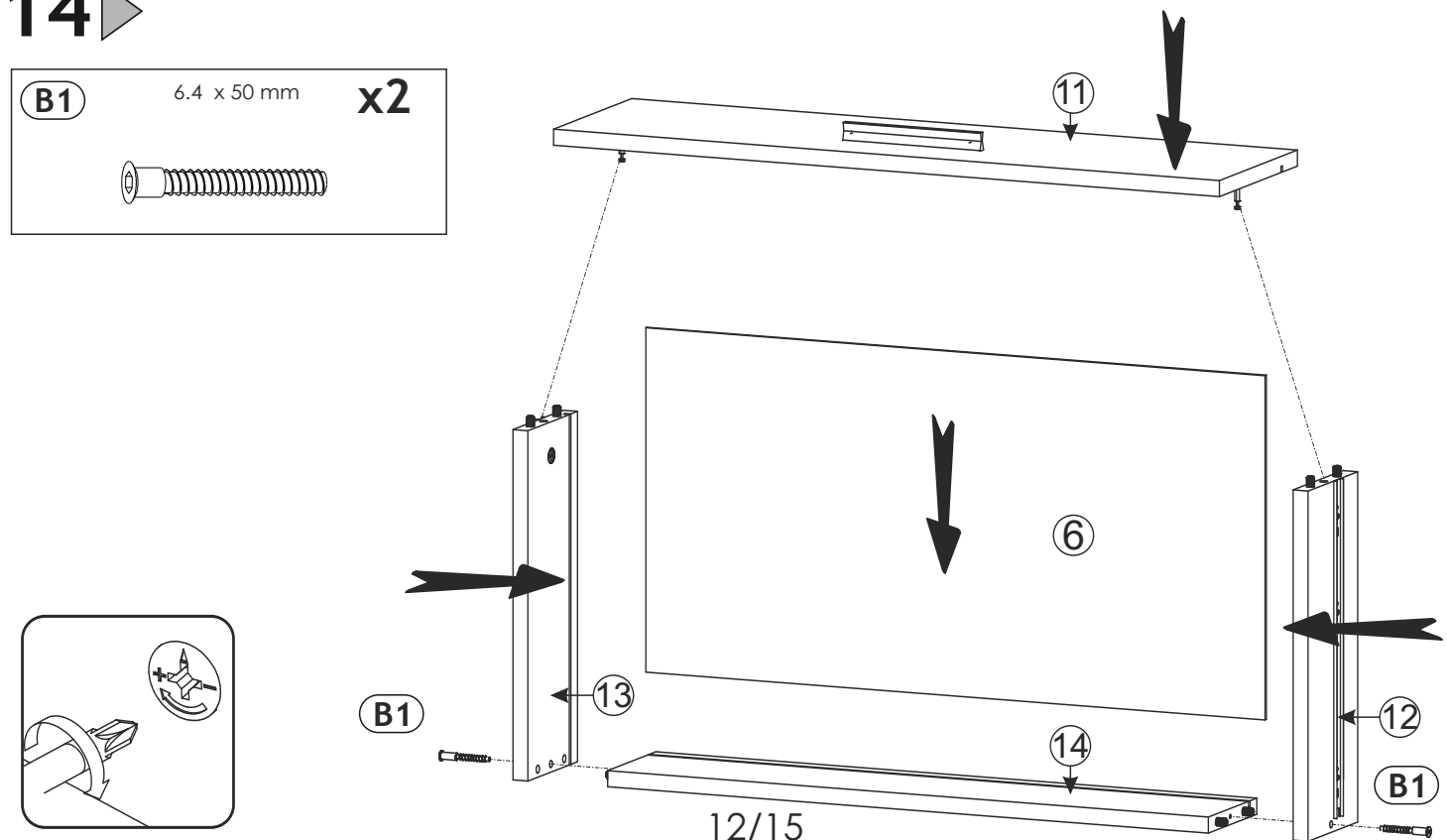
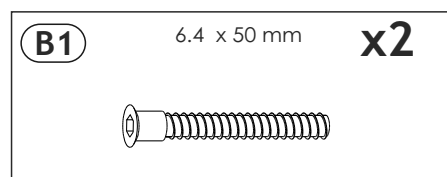
D6 3 x 20 mm x16 	D12 4 x 25 mm x6 	M1  x12
M3  x4	T17  x6	



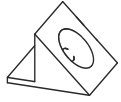
13 ▶



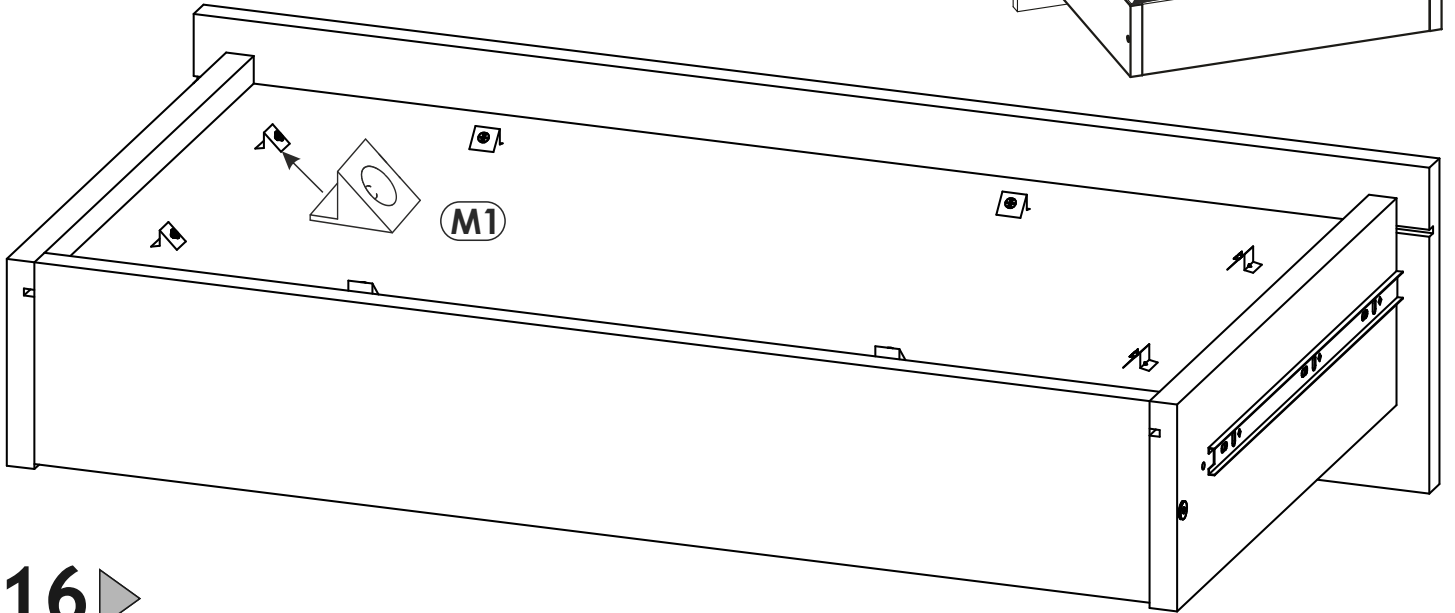
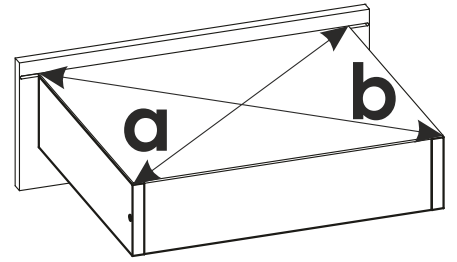
14 ▶



15 ▶

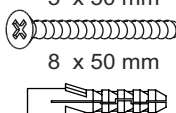
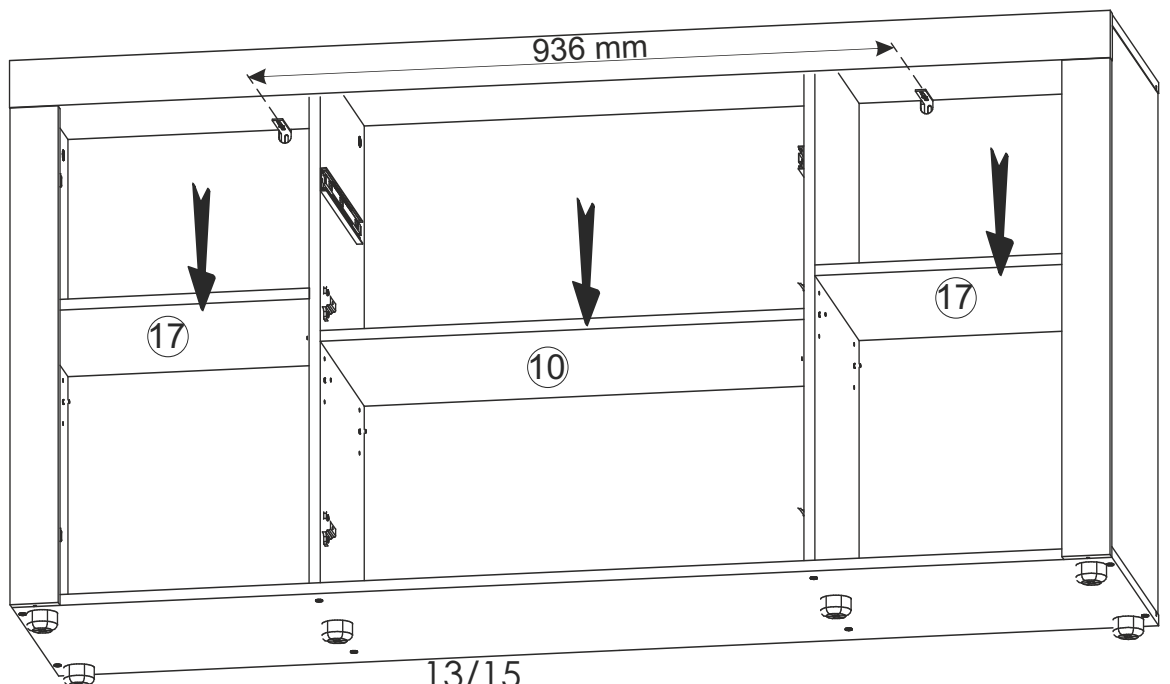
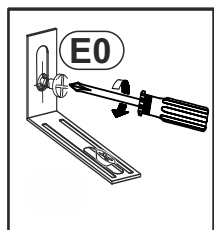
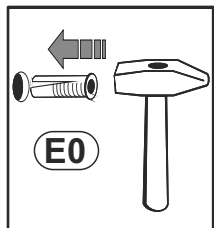
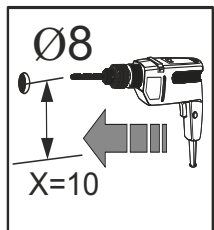
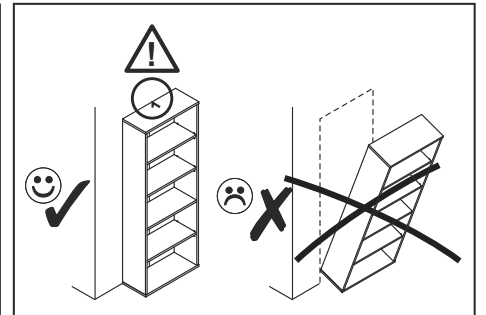
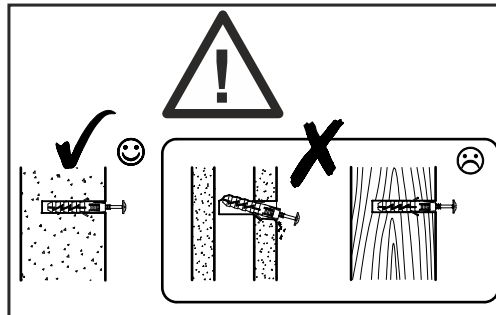
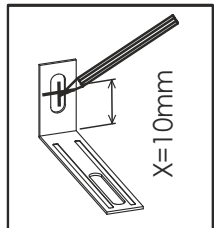
D6	3 x 20 mm	x8	M1		x8
-----------	-----------	-----------	-----------	---	-----------

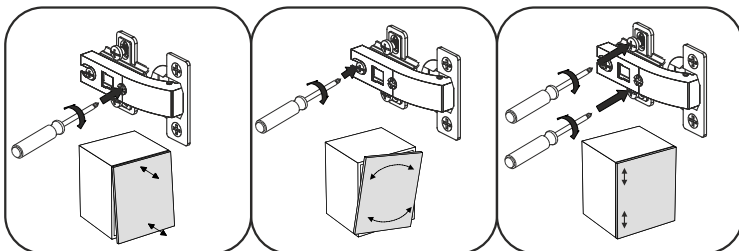
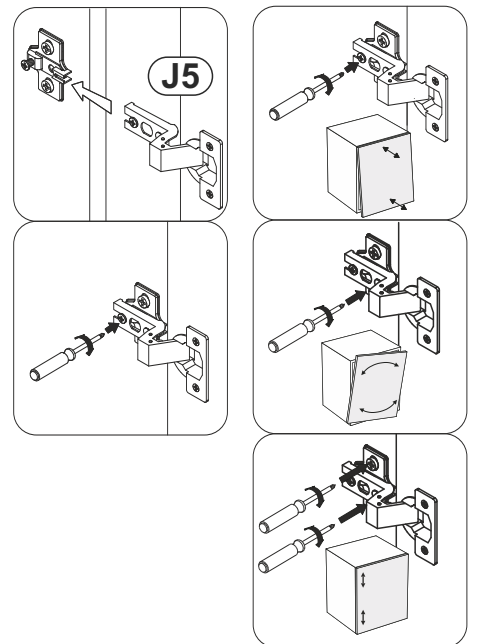
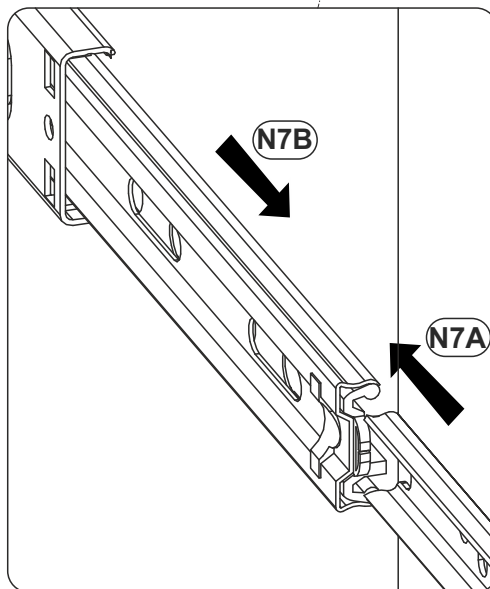
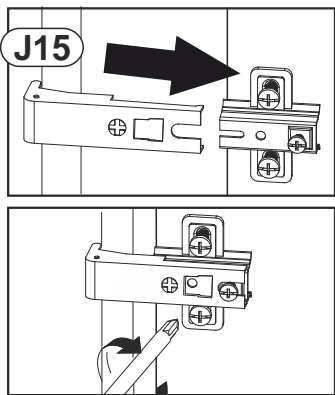
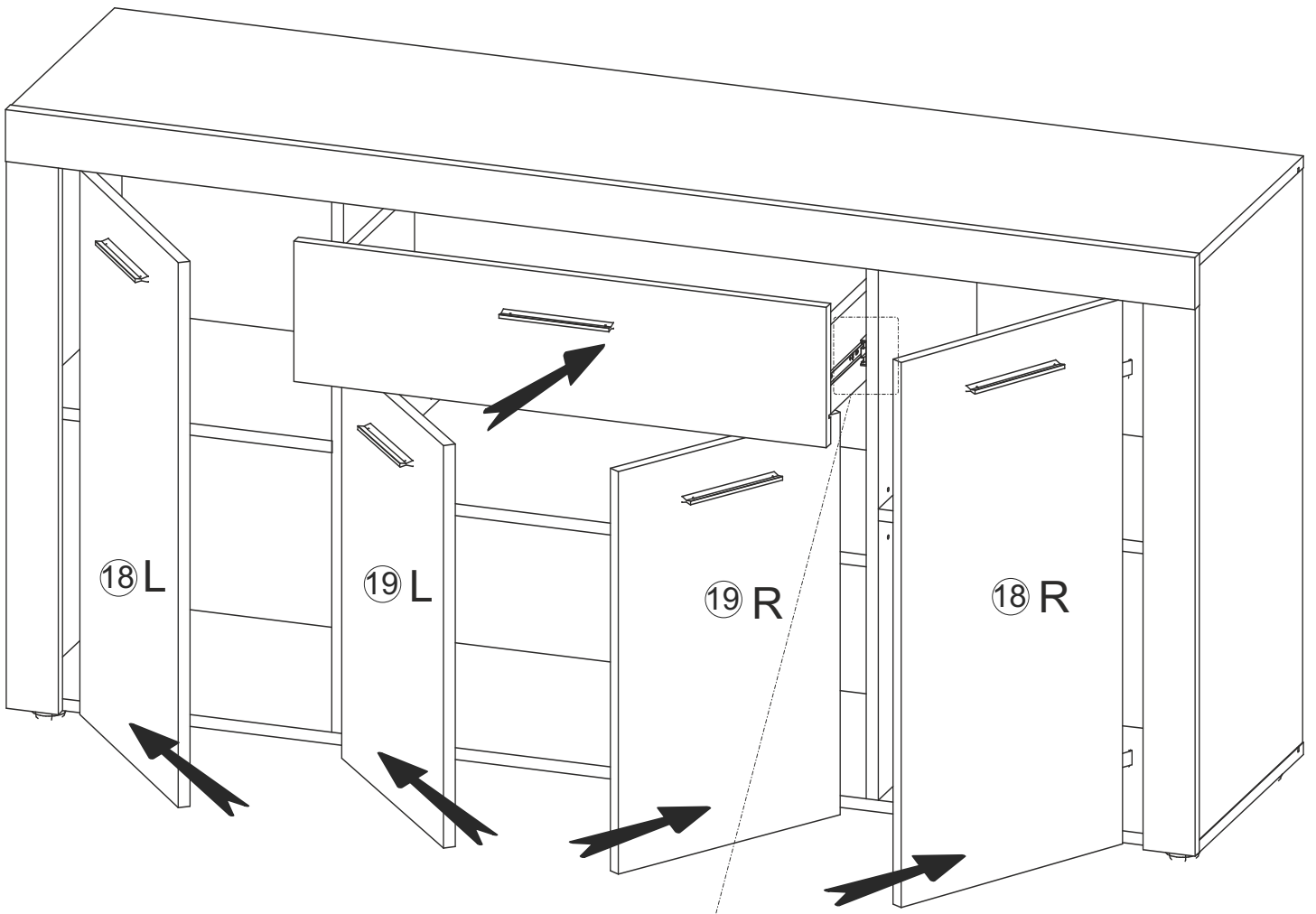
a=b



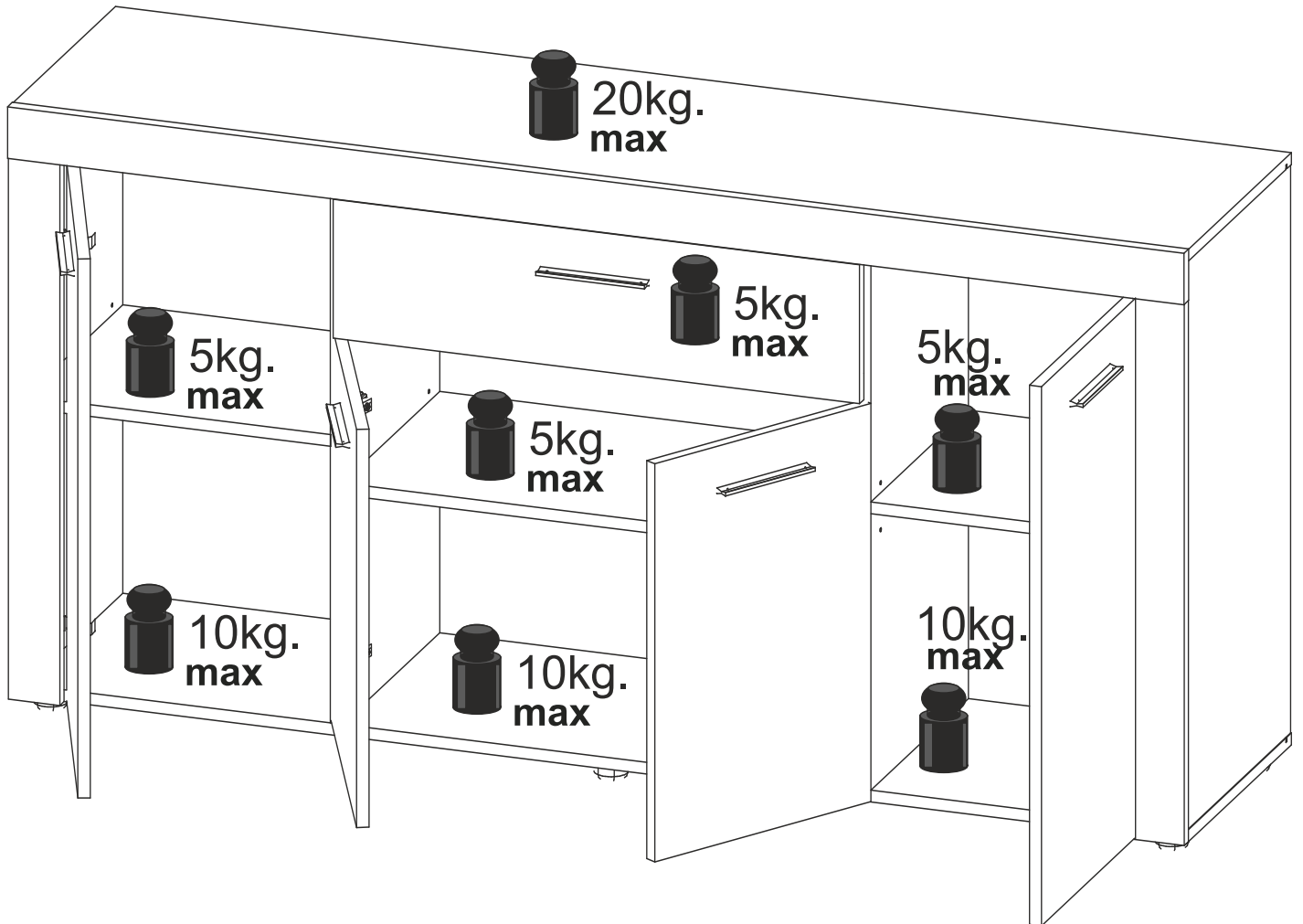
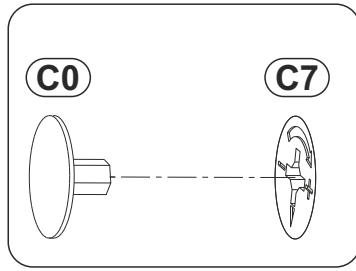
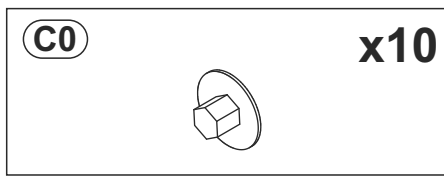
16 ▶

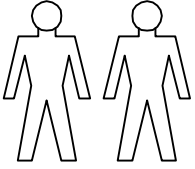
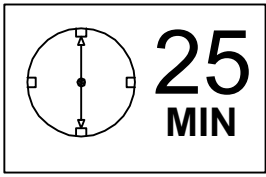
E0	5 x 50 mm	x2
	8 x 50 mm	



18 ▶

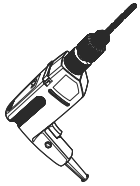
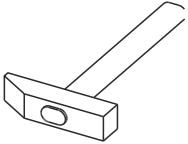
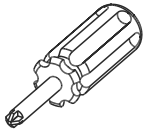
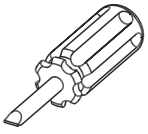




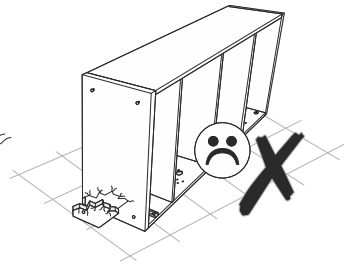
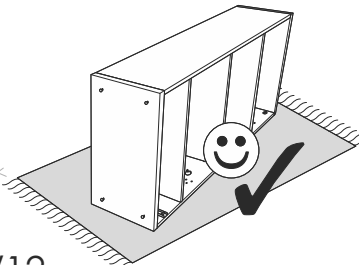
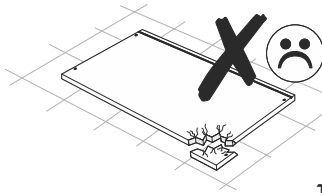
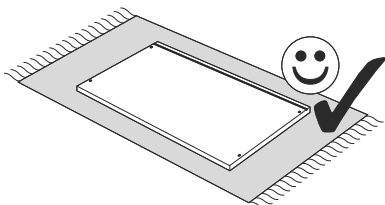
338mm

869mm


1176mm

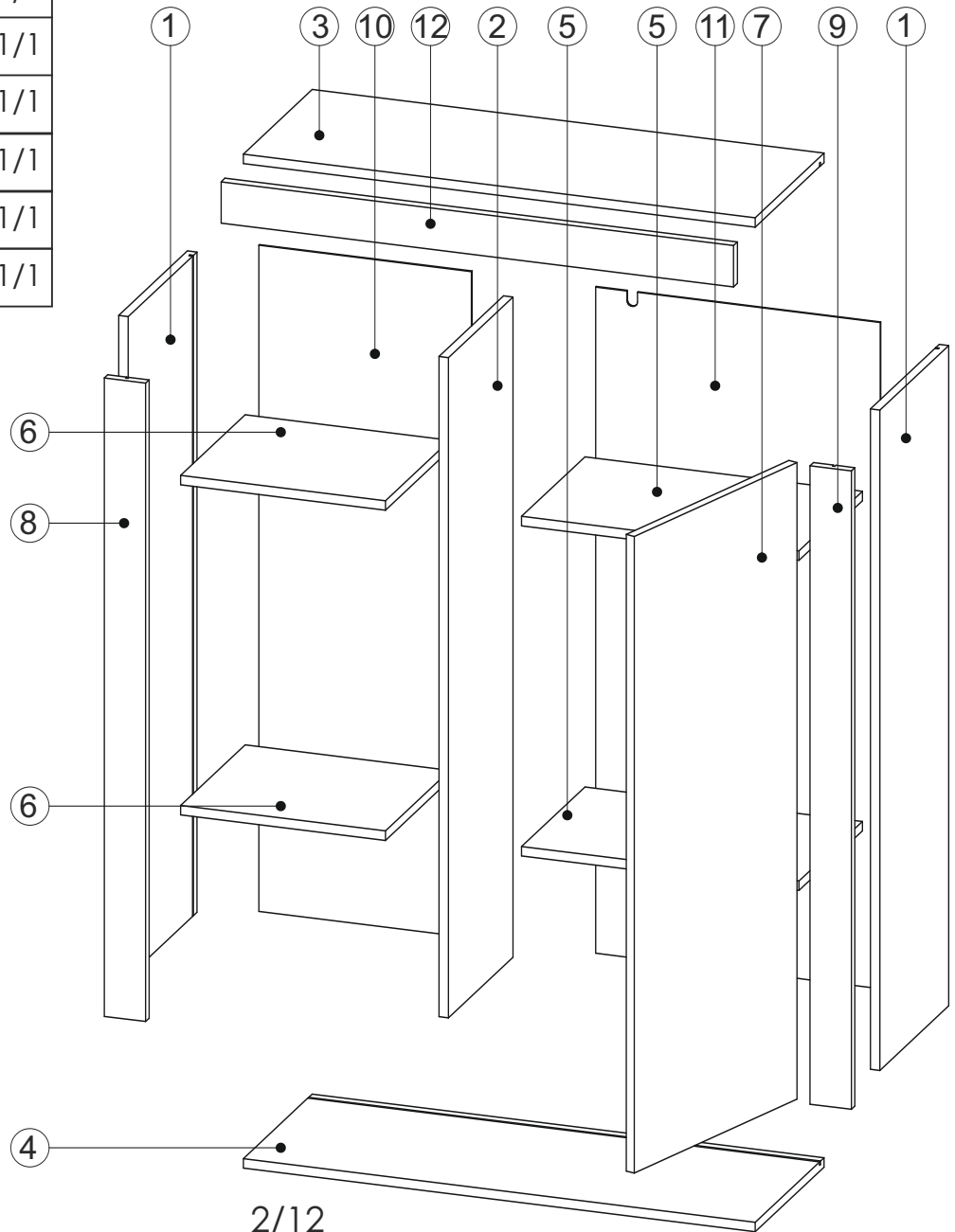


Ø5
Ø8

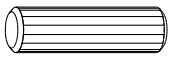
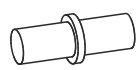

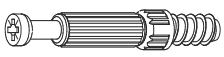
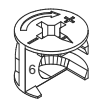


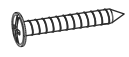
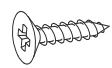

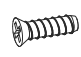
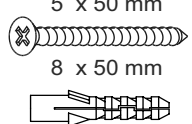
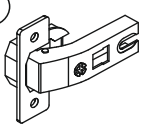
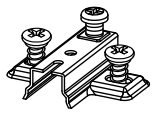
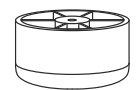
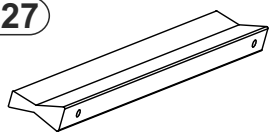
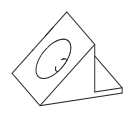
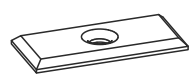
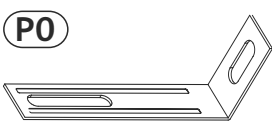
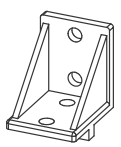



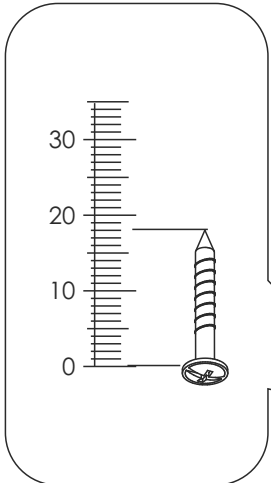
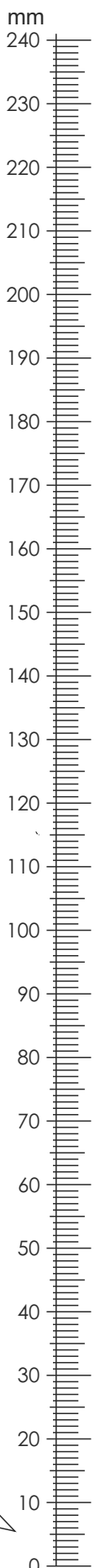


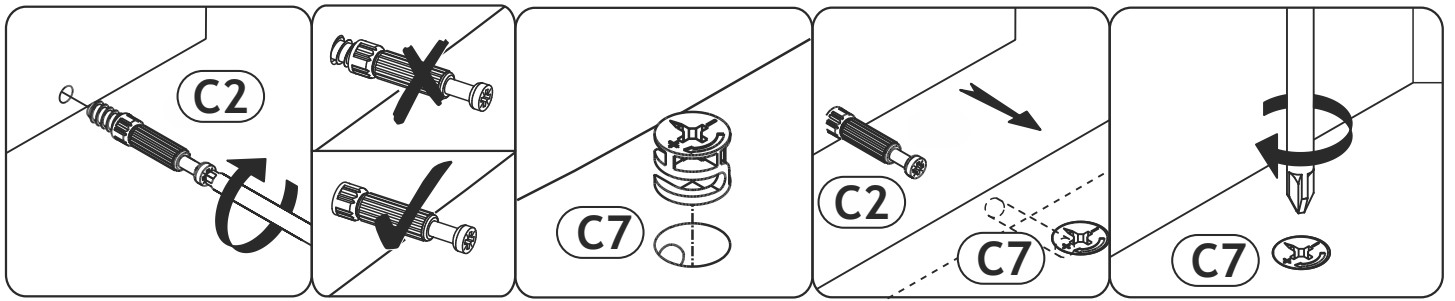
Low cabinet					
1	1119	320	16	x2	1/1
2	1119	300	16	x1	1/1
3	868	320	16	x1	1/1
4	868	320	16	x1	1/1
5	471	295	16	x2	1/1
6	347	300	16	x2	1/1
7	431	1080	16	x1	1/1
8	1082	70	16	x1	1/1
9	1082	70	16	x1	1/1
10	1129	360	2.8	x1	1/1
11	1129	484	2.8	x1	1/1
12	869	70	18	x1	1/1
13					1/1



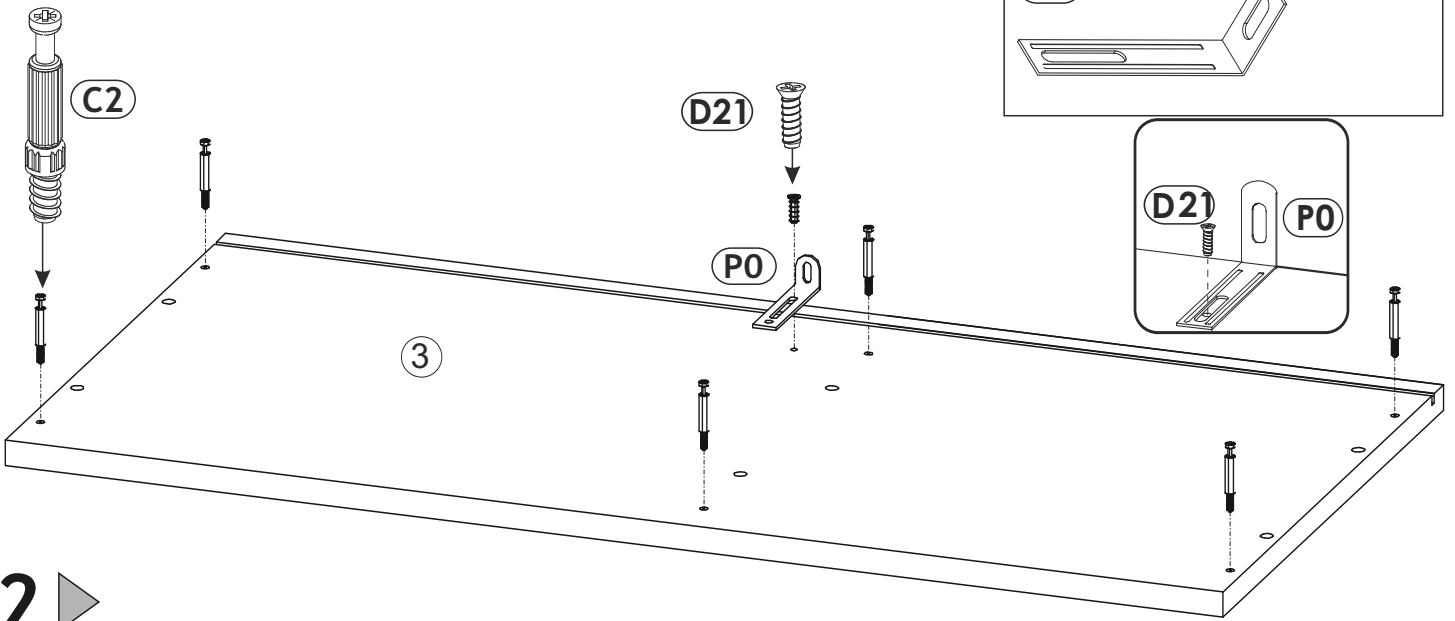
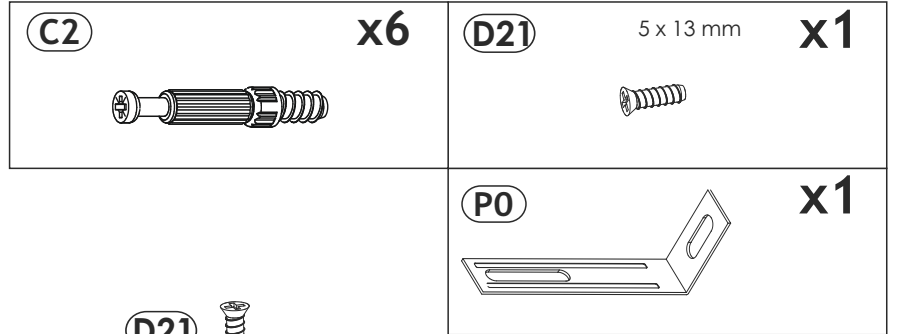


A0 8 x 30mm x12 	Q0 x16 	C0 x12 
C2 x12 	C7 16mm x12 	D0 3 x 15 mm x36 
D6 3 x 20 mm x13 	D7 3,5 x 27 mm x2 	D10 4 x 16 mm x6 
D12 4 x 25 mm x5 	D21 5 x 13 mm x1 	E0 5 x 50 mm 8 x 50 mm x1 
J15 x3 	J15 x3 	T17 x5 
L27 x1 	M1 10 	M3 x3 
P0 x1 	P27 x9 	U0 x2 

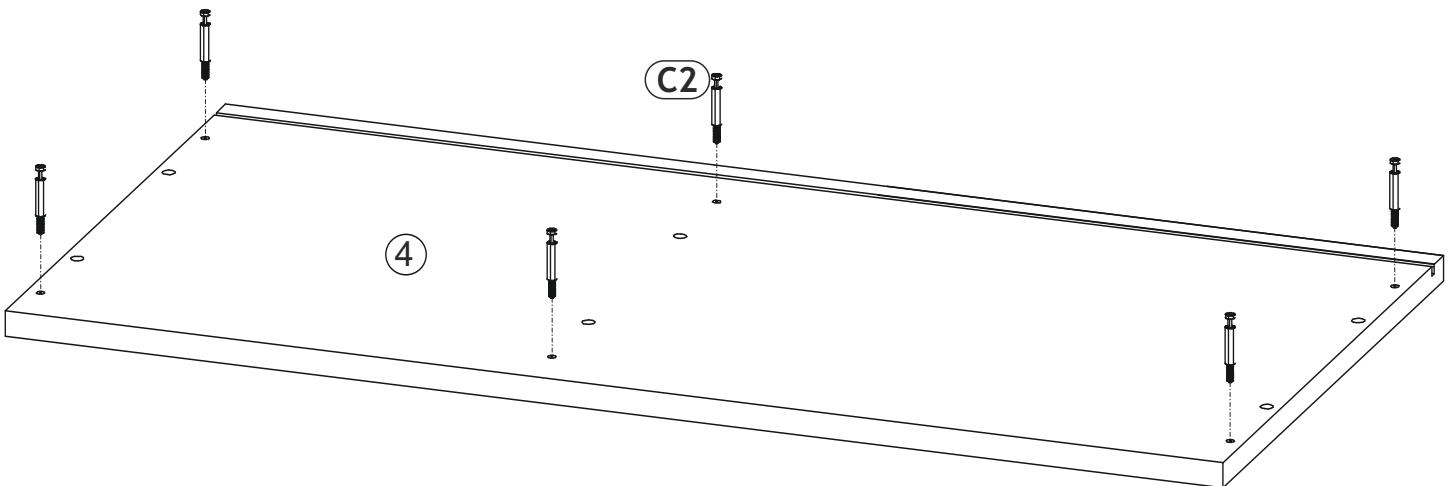
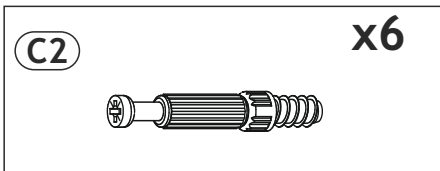




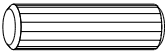
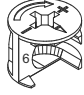
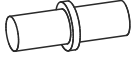
1 ▶

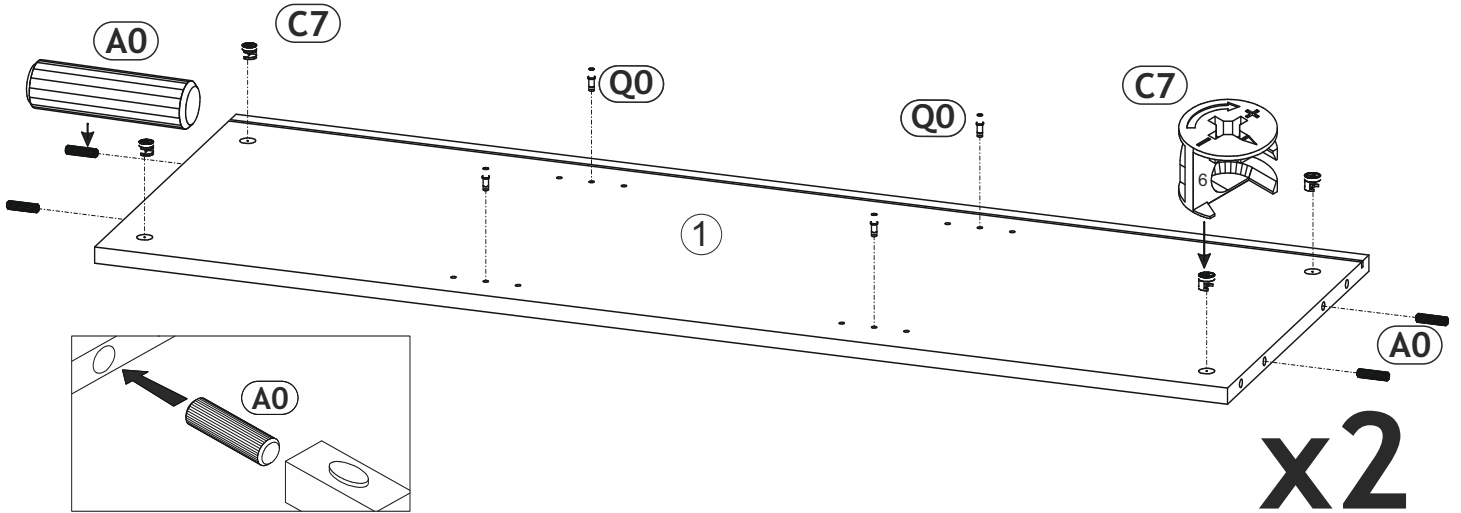


2 ▶



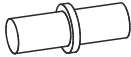


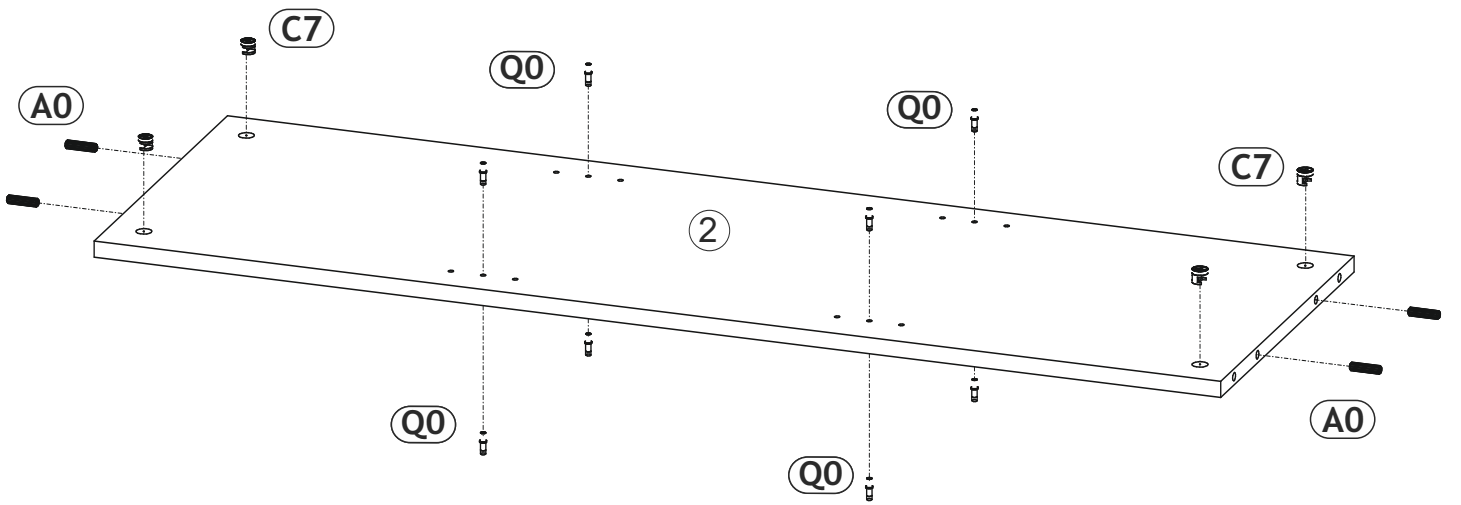
3 ▶

A0 8 x 30mm 	x8	C7 16mm 	x8	Q0 	x8
--	-----------	--	-----------	--	-----------

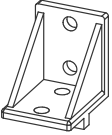
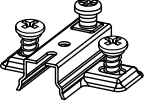


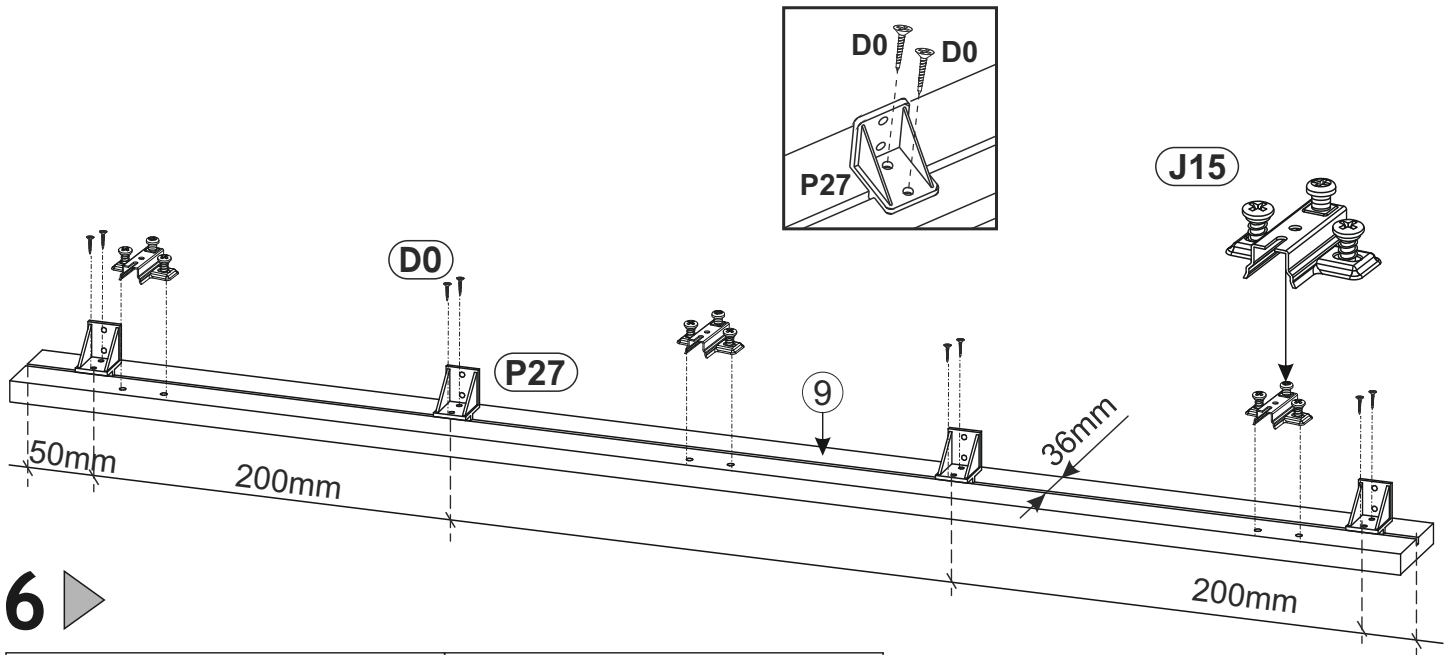
4 ▶

A0 8 x 30mm 	x4	C7 16mm 	x4	Q0 	x8
--	-----------	--	-----------	--	-----------

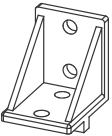


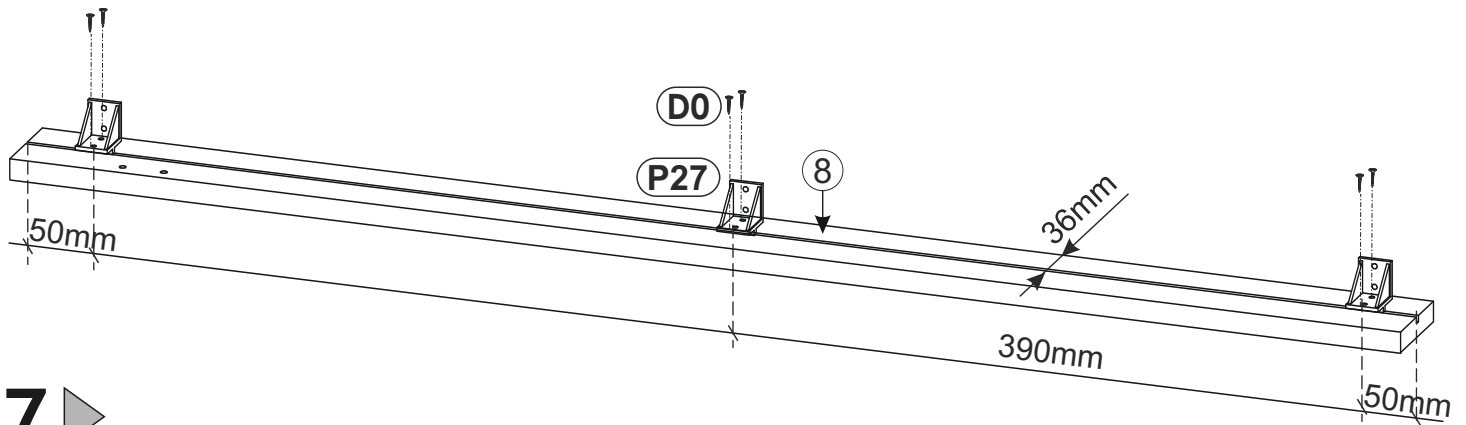
5 ▶

D0	3 x 15 mm	x8	P27		x4	J15		x3
-----------	-----------	-----------	------------	---	-----------	------------	---	-----------

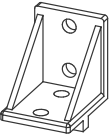


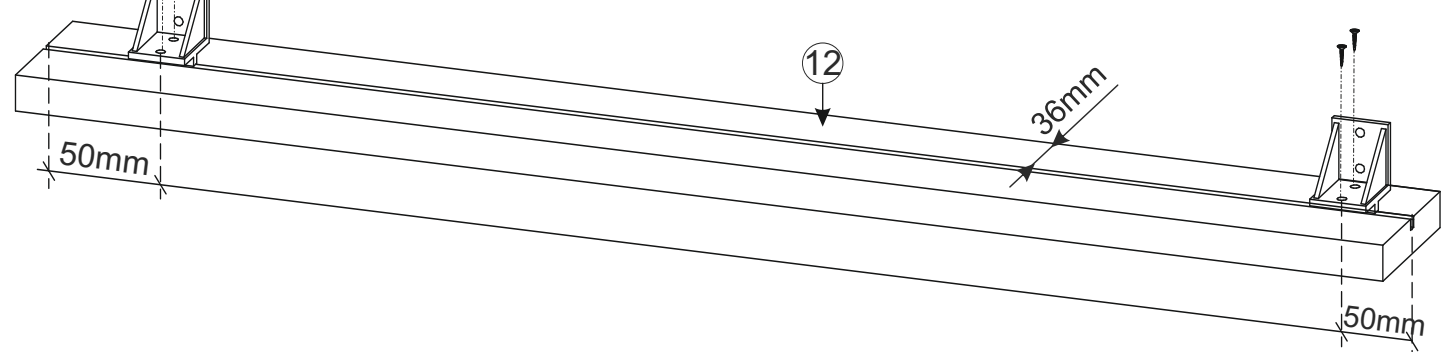
6 ▶

D0	3 x 15 mm	x6	P27		x3
-----------	-----------	-----------	------------	---	-----------

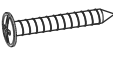
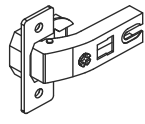
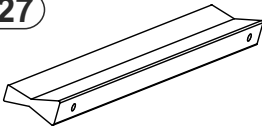
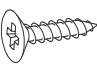



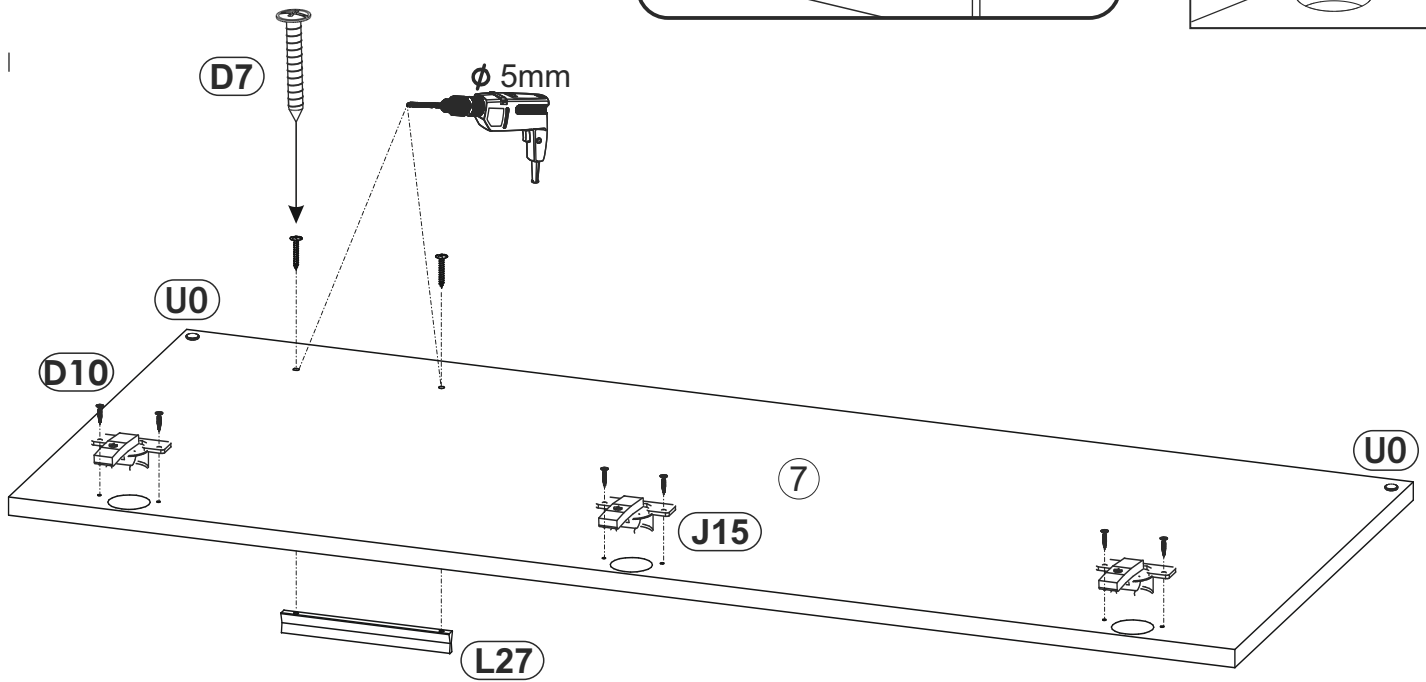
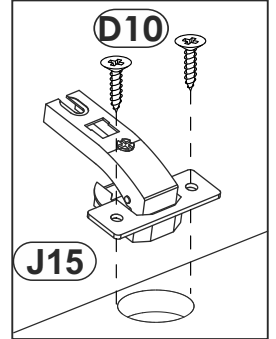
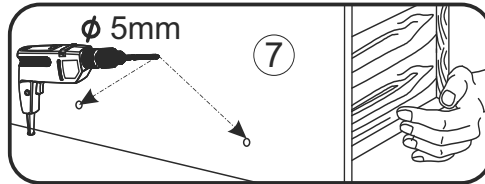
7 ▶

D0	3 x 15 mm	x4	P27		x2
-----------	-----------	-----------	------------	---	-----------

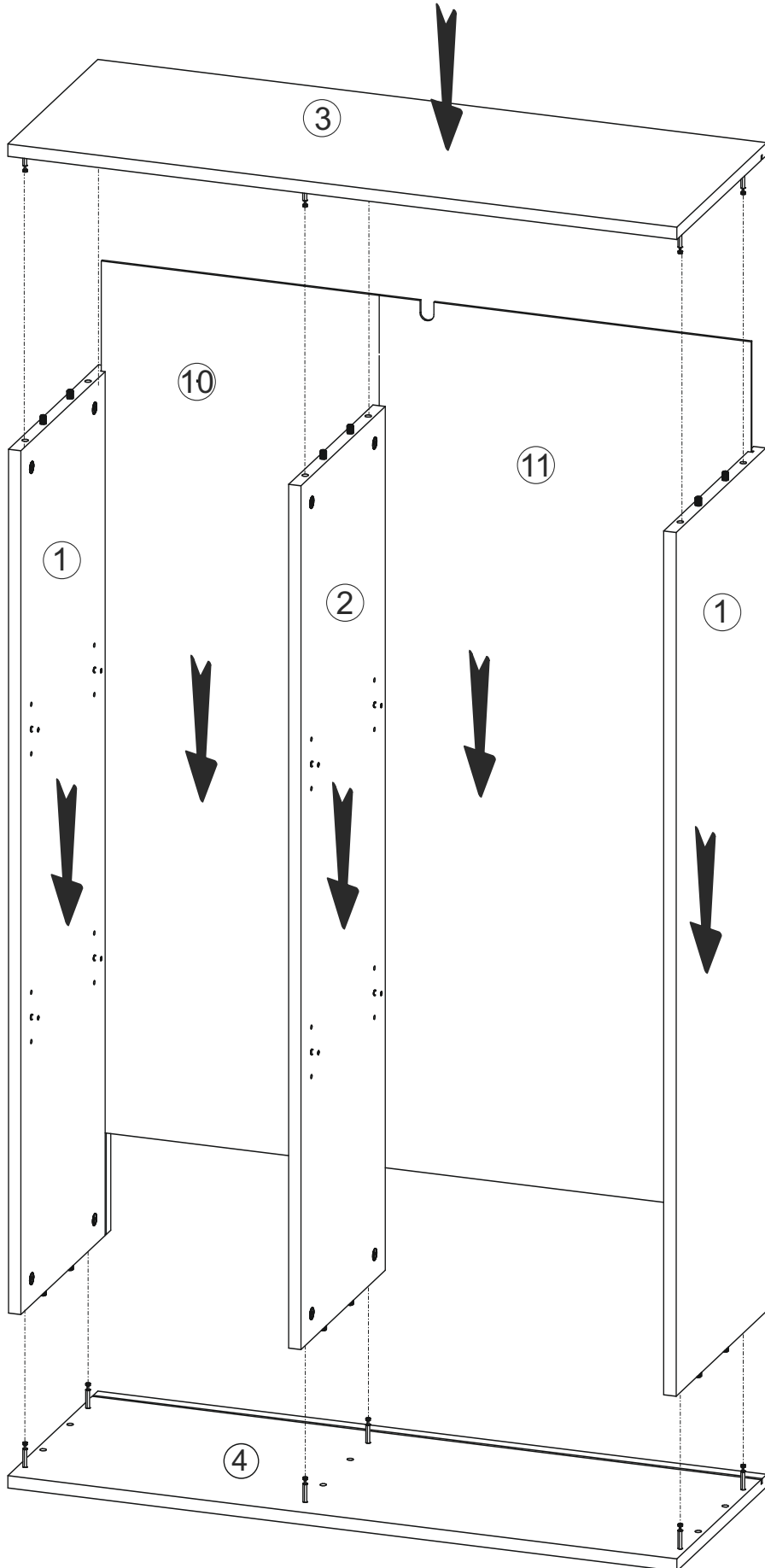
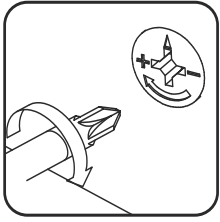


8



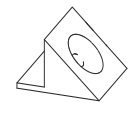
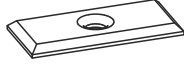
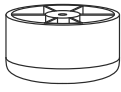
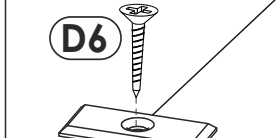
D7 3,5 x 27 mm 	x2	J15 	x3	L27 	x1
D10 4 x 16 mm 	x6	U0 	x2		

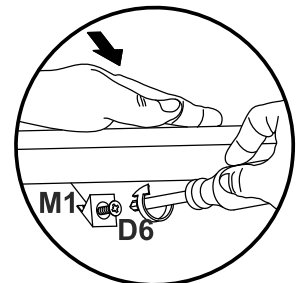
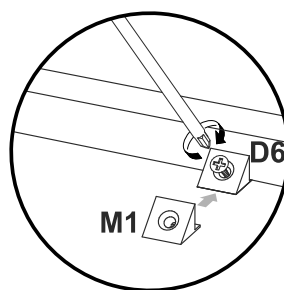
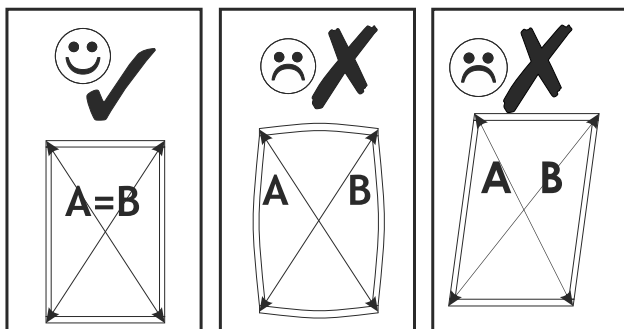
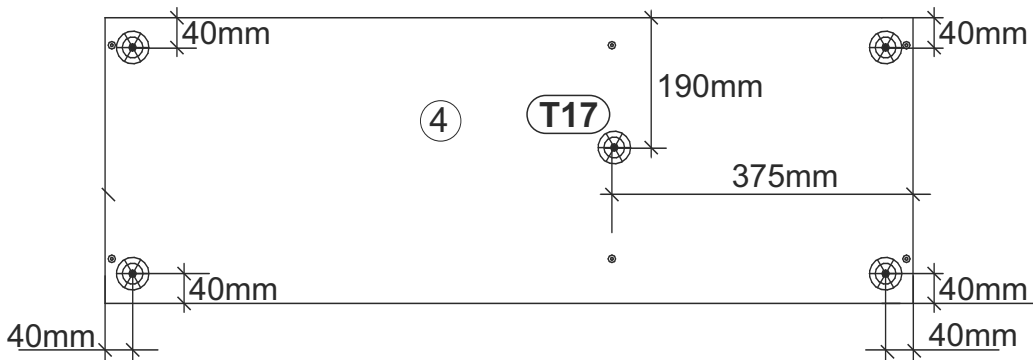
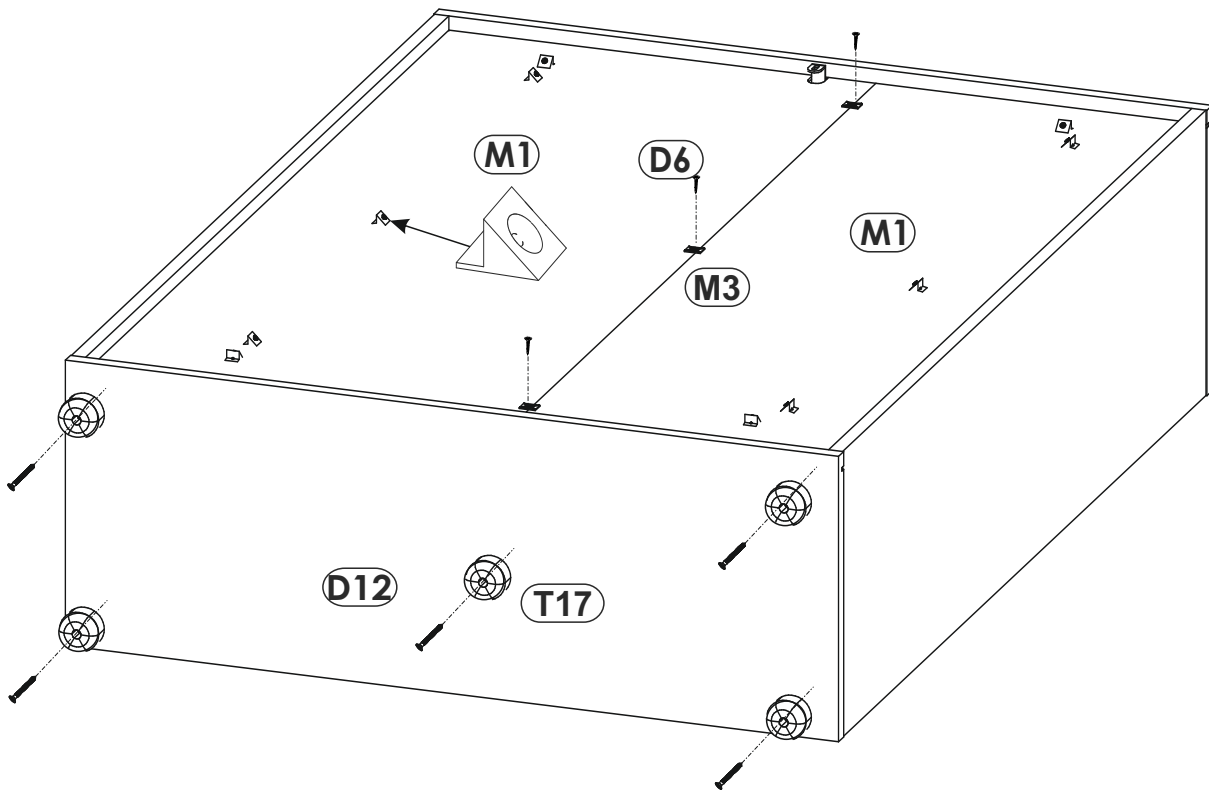
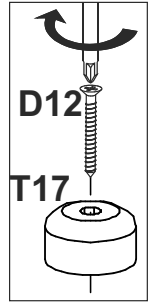


9 ▶



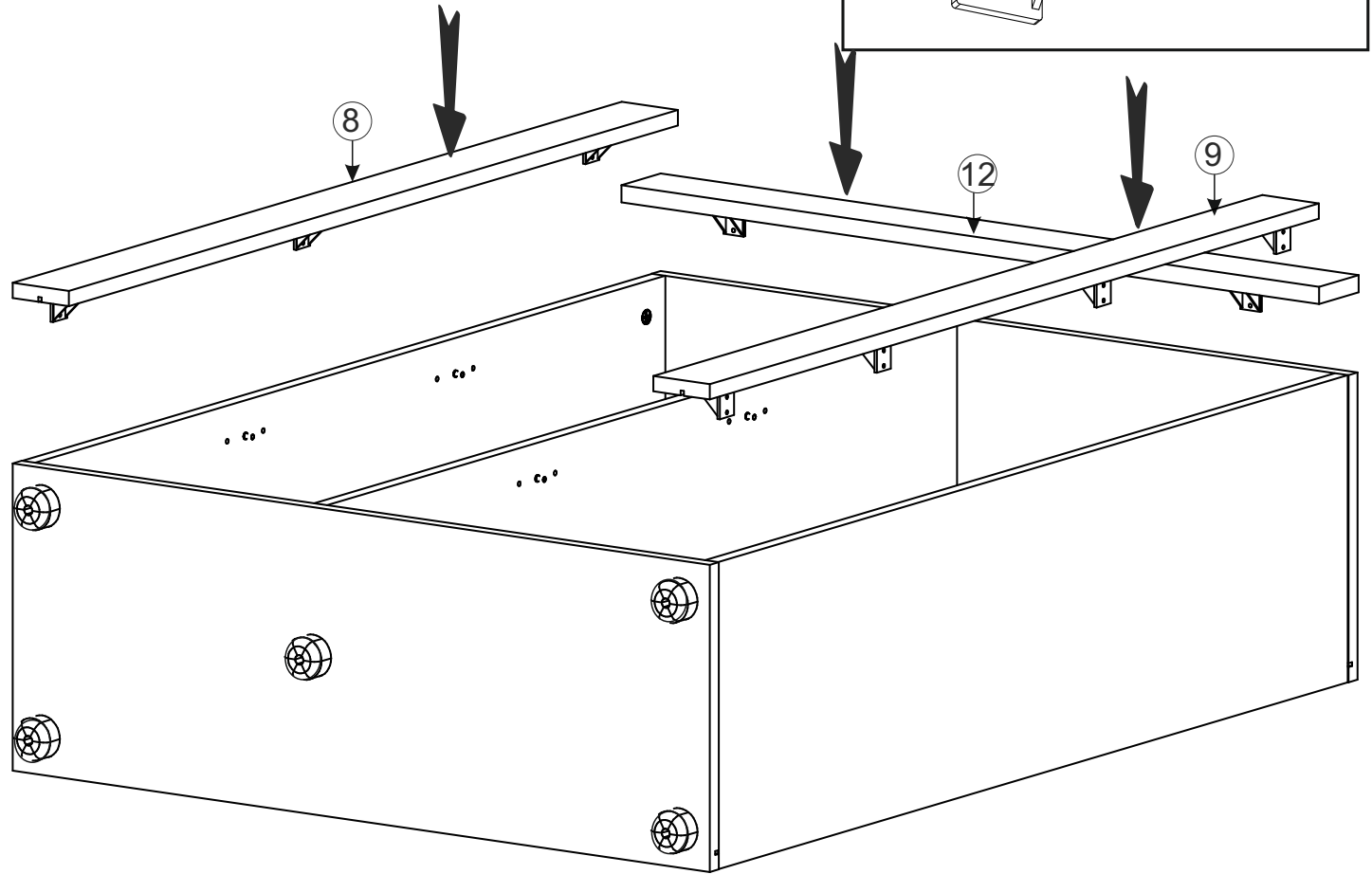
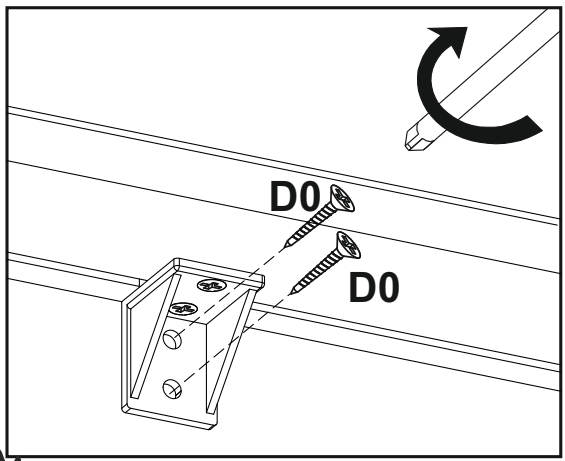

10 ▶

D6 3 x 20 mm x13 	D12 4 x 25 mm x5 	M1  x10
M3  x3	T17  x5	



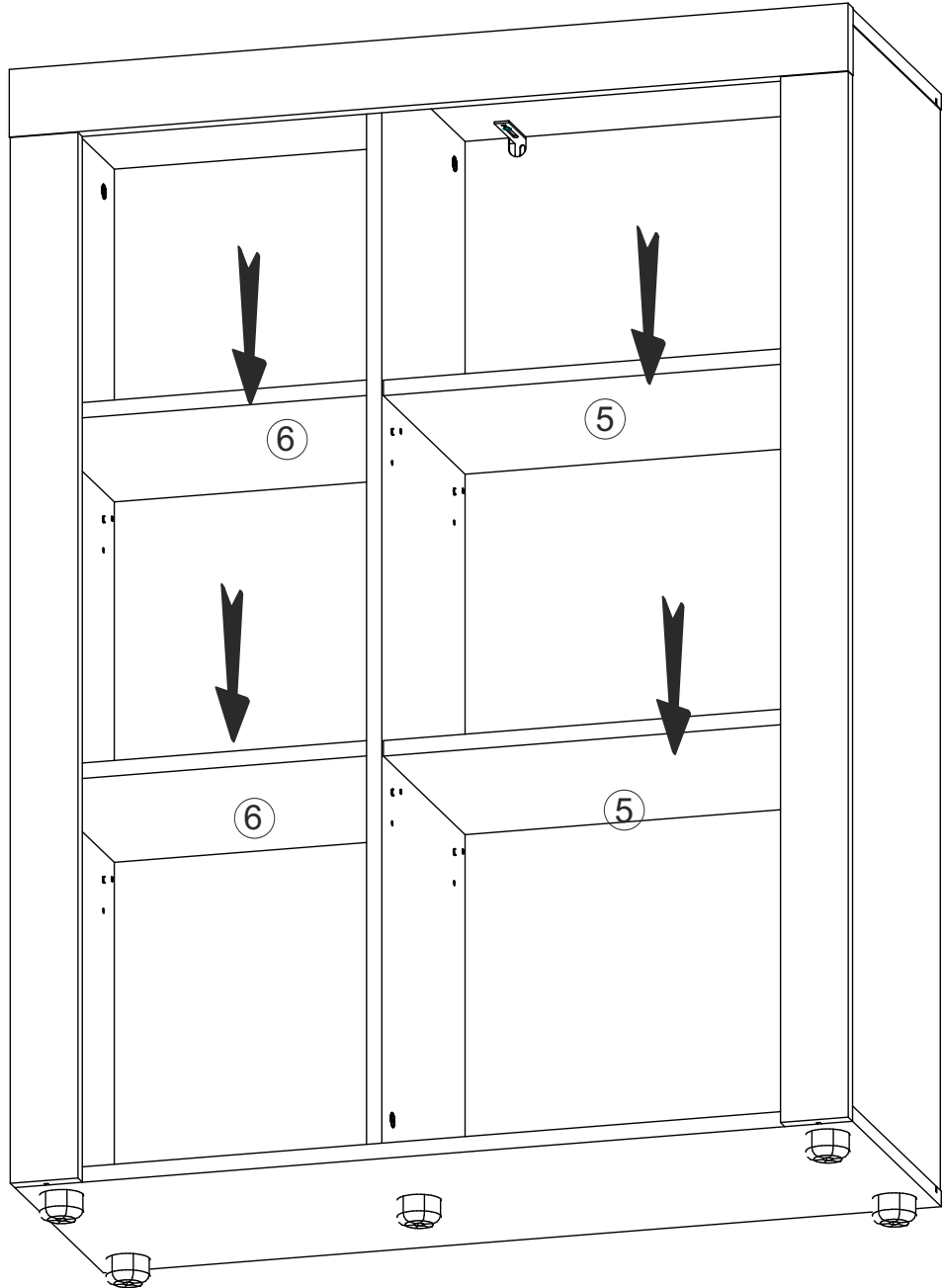
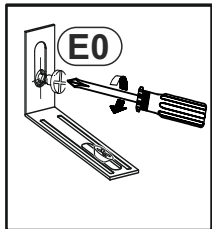
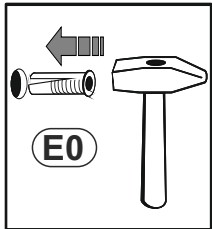
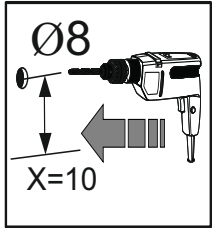
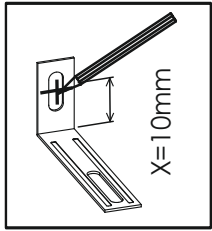
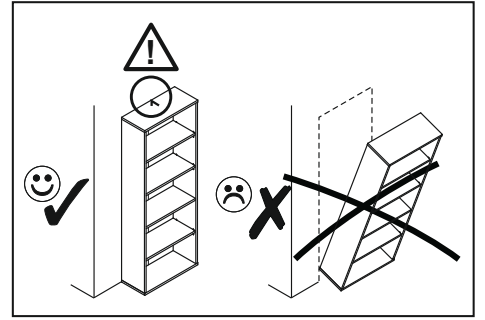
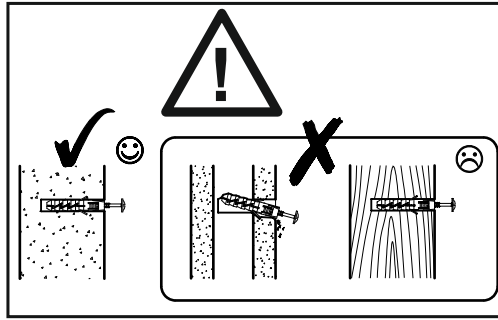
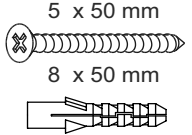
11 ▶

D0 3 x 15 mm **x18**

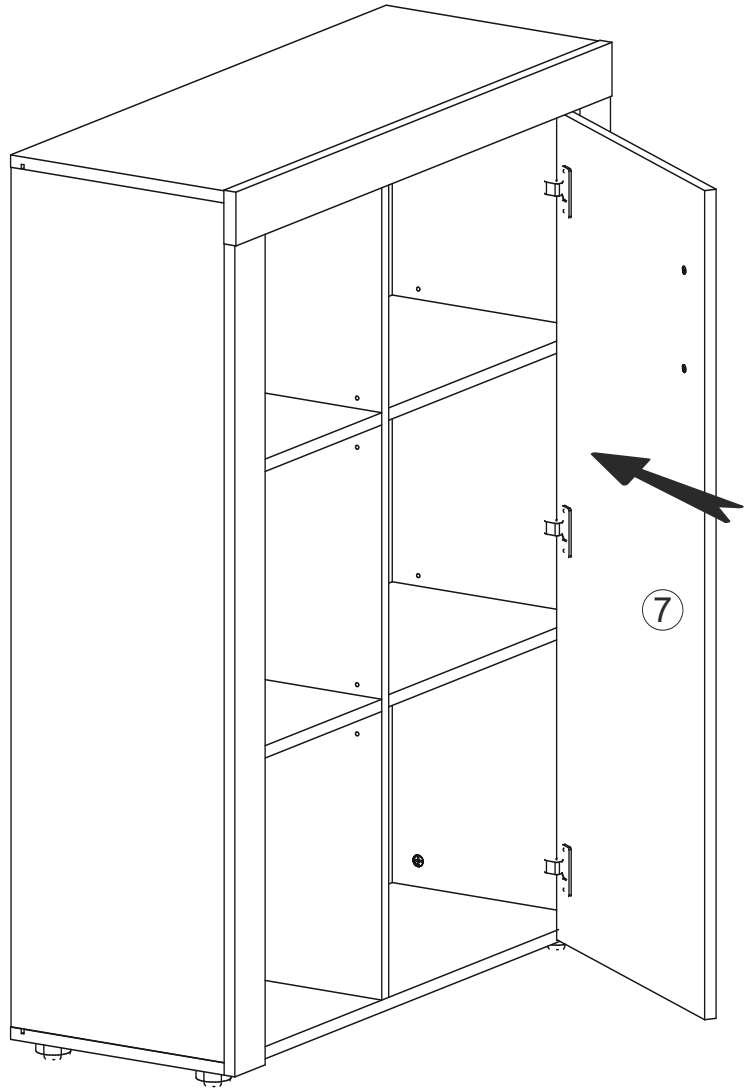
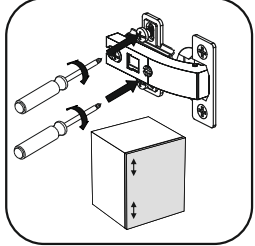
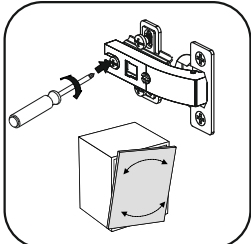
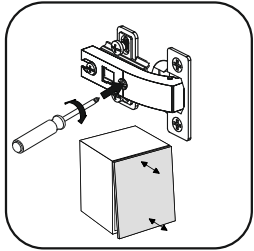
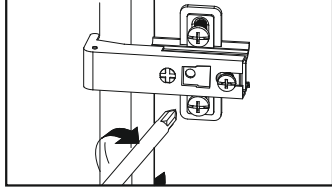
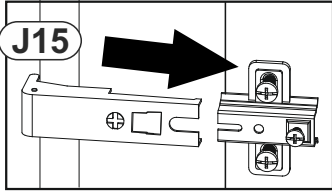


12

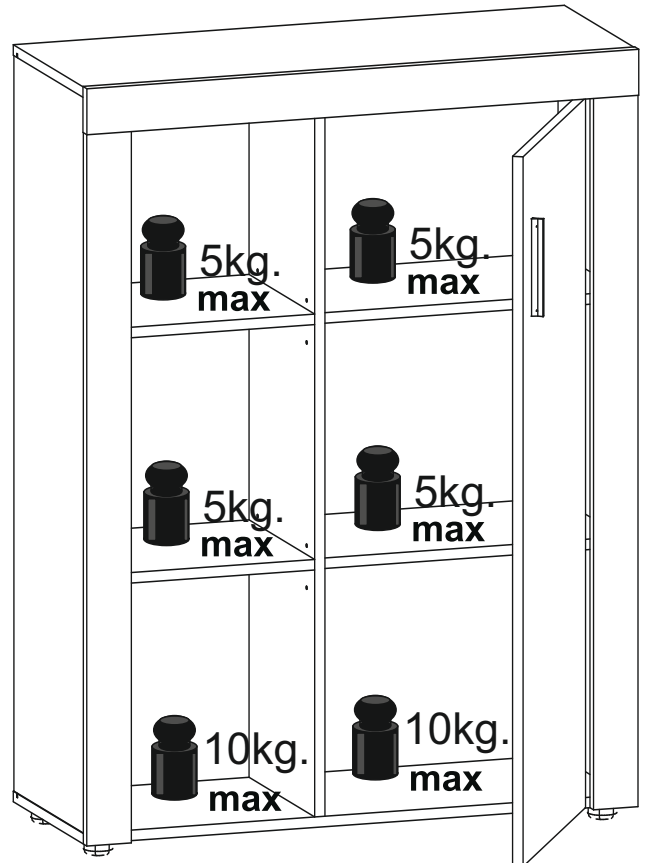
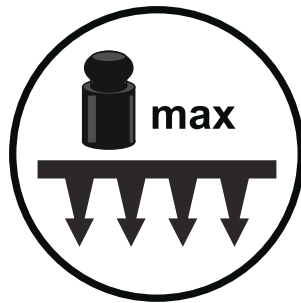
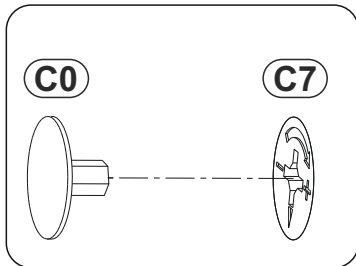
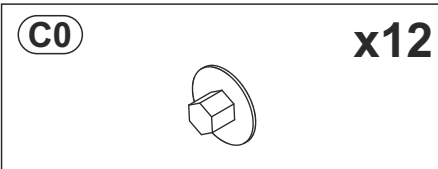
E0 5 x 50 mm **x1**
8 x 50 mm

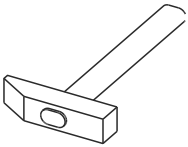
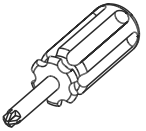
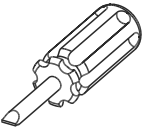
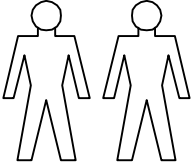
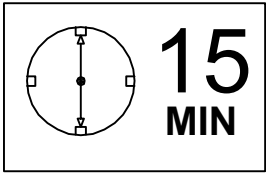


13 ▶

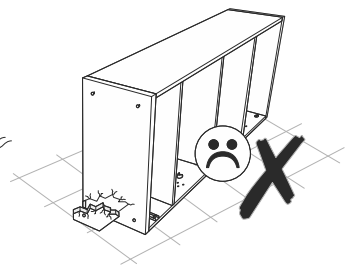
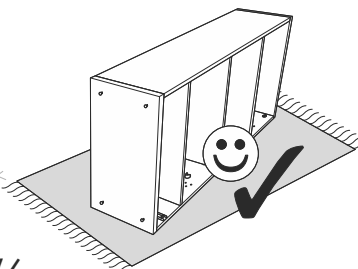
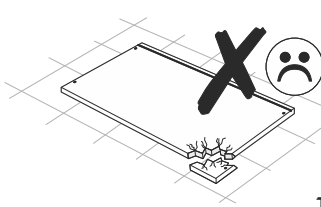
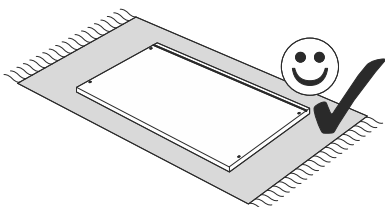
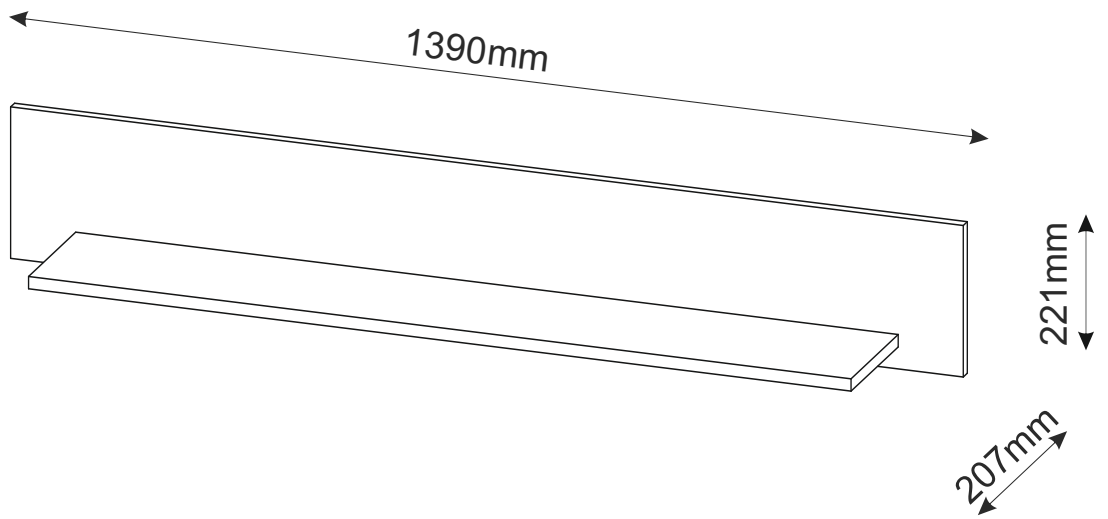
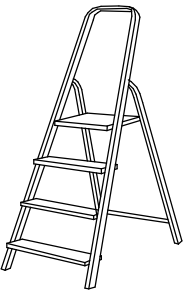


14 ▶



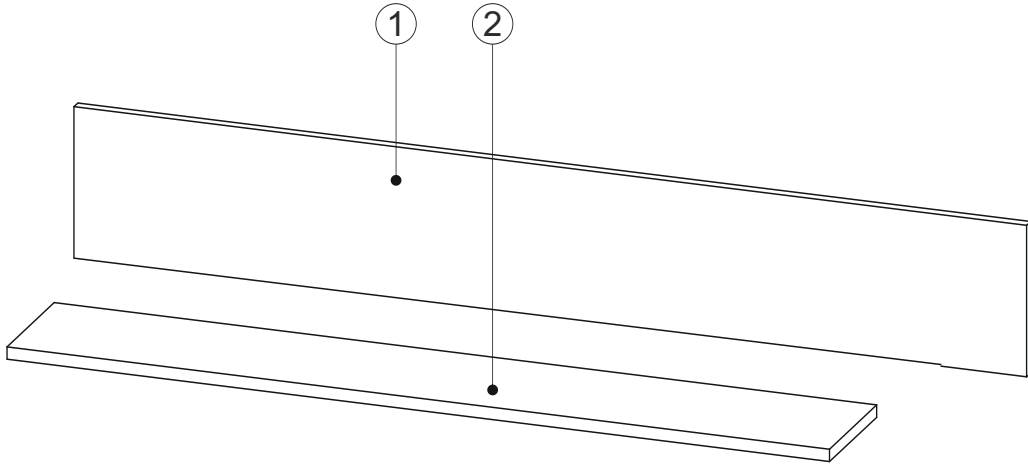


Ø8

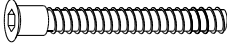
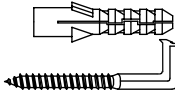

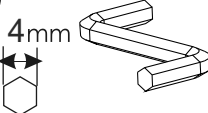




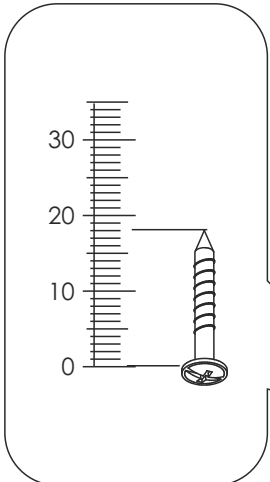
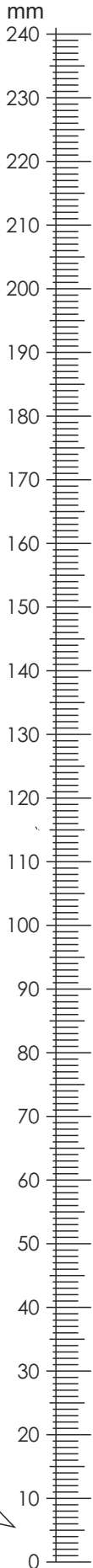


1	1390	221	16	x1	1/1
2	1200	189	18	x1	1/1
3					1/1


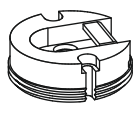
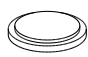


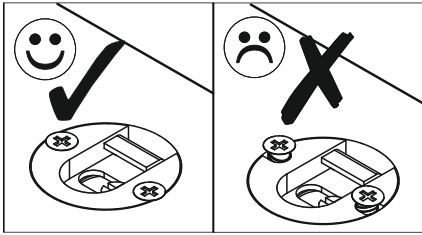
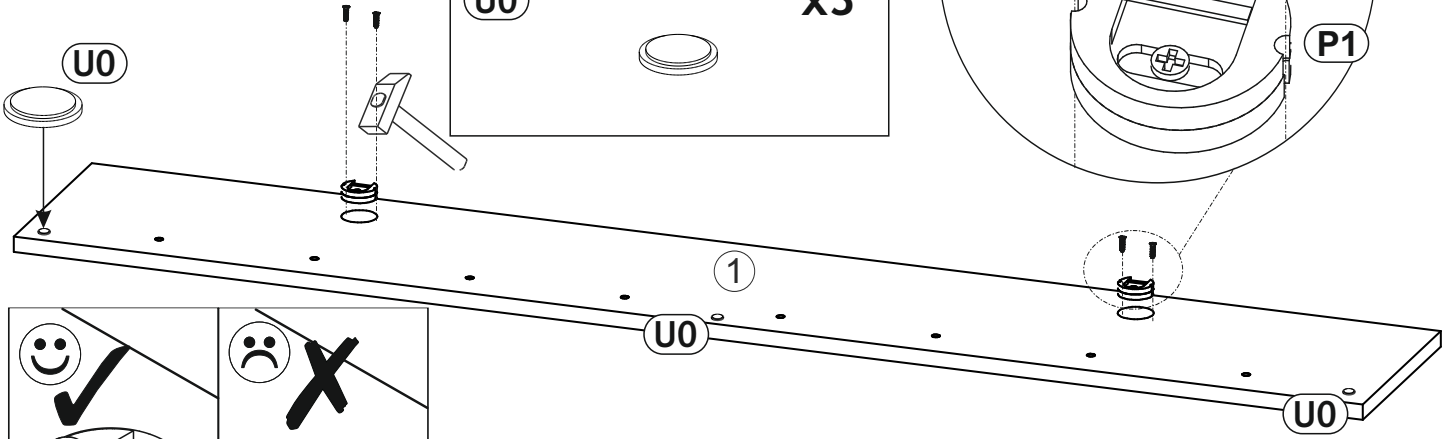


B2 7 x 70 mm x8 	E1 8 x 40 mm x2 	D22 5 x 11 mm x4 
K 4mm x1 	P1 x2 	U0 x3 

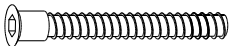
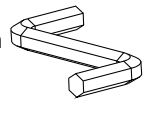


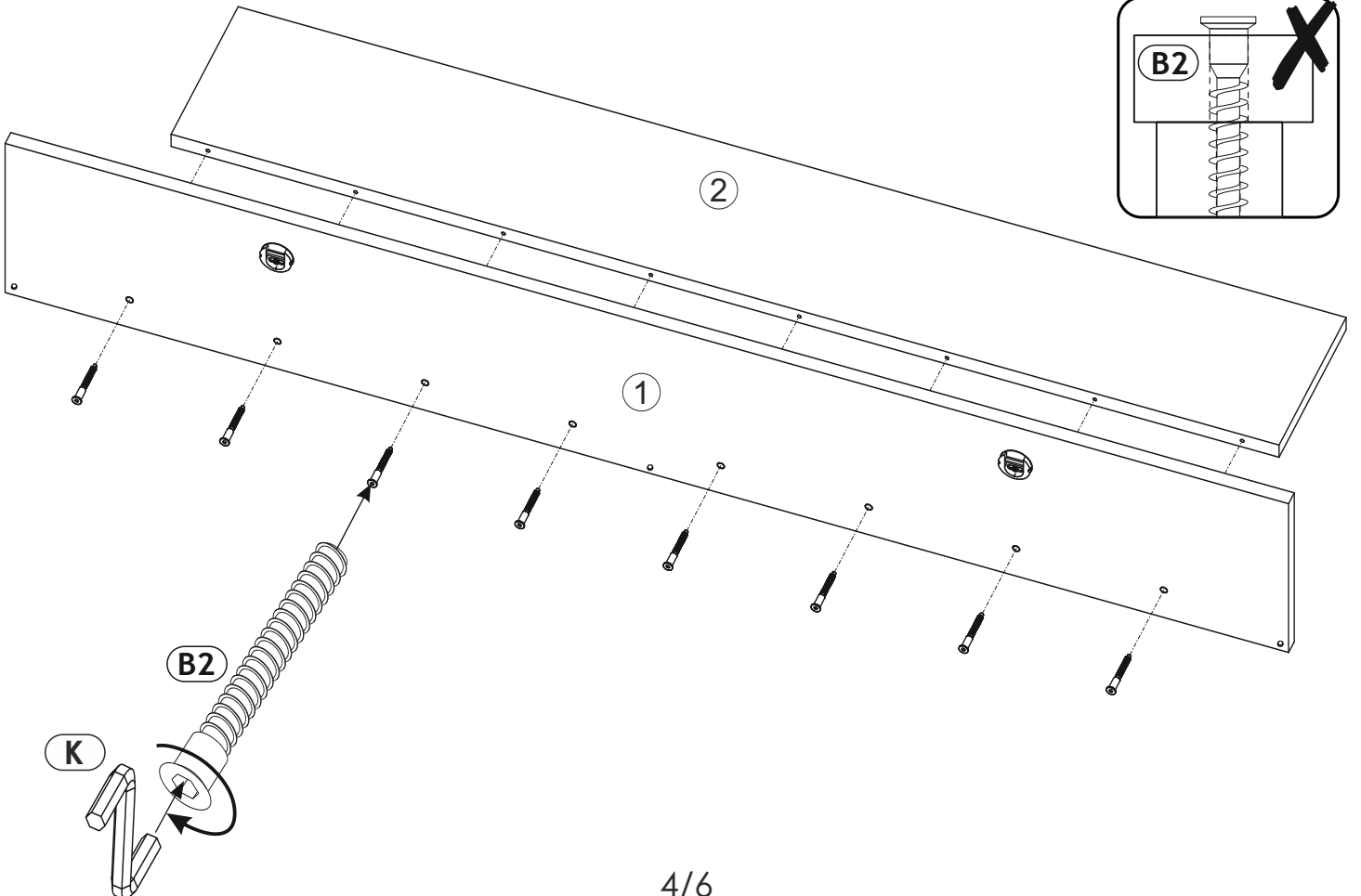
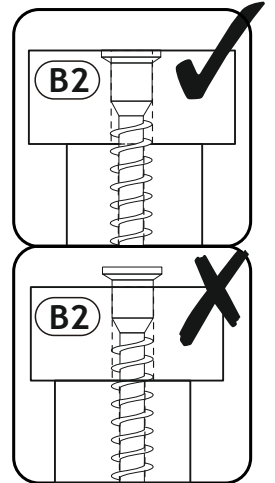
1 ▶

D22	5 x 11 mm	x4	P1	x2
				
			U0	x3
				

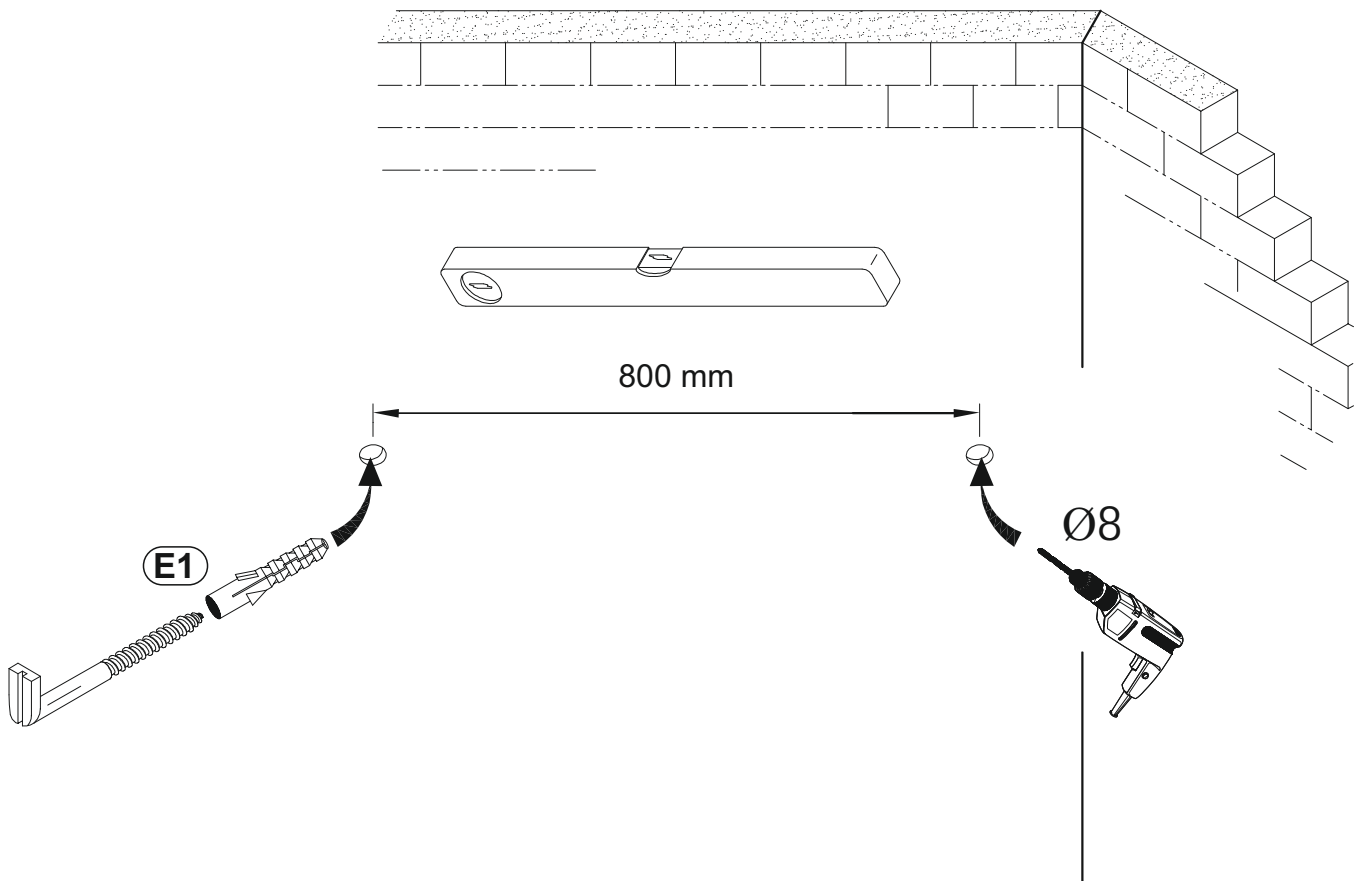
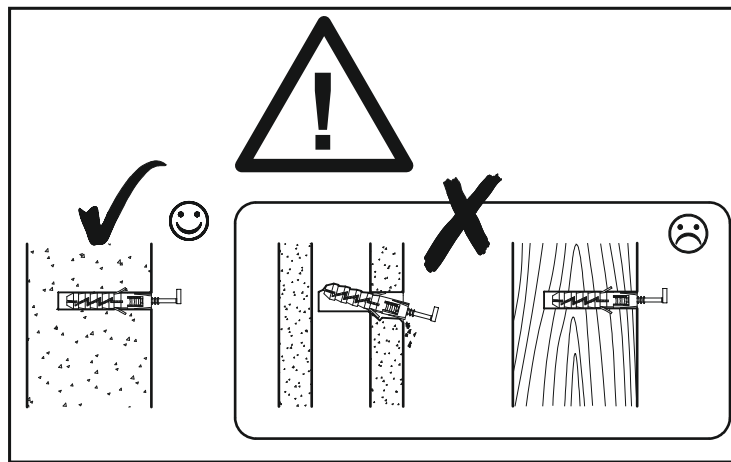
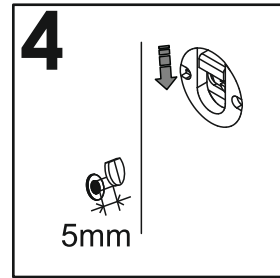
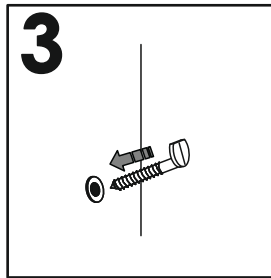
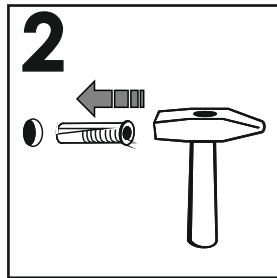
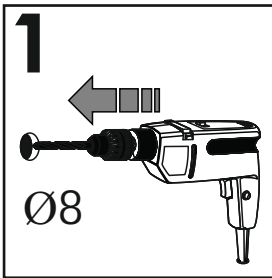
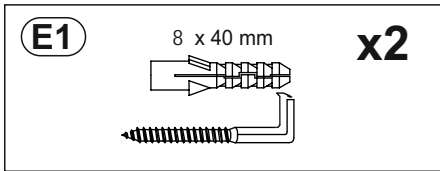


2 ▶

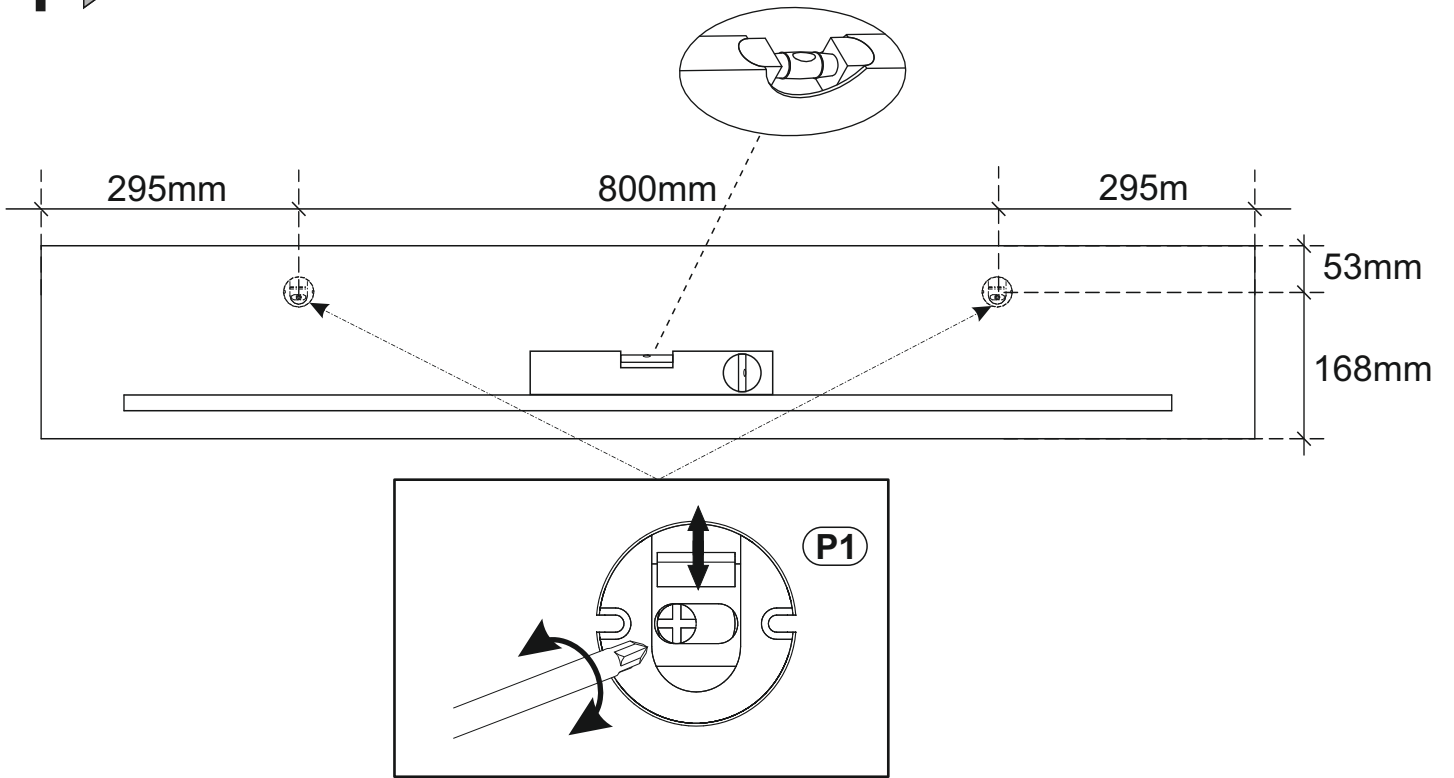
B2	7 x 70 mm	x8	K	x1
			 4mm	



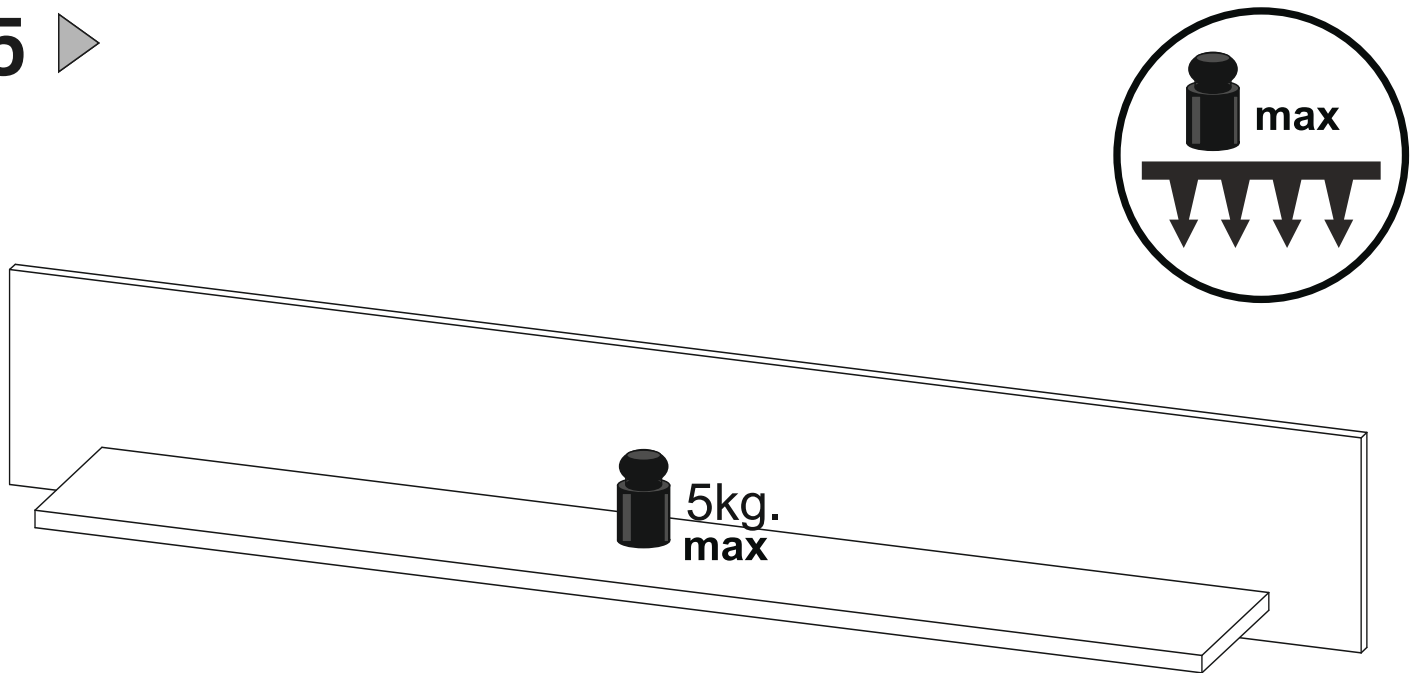
3 ▶

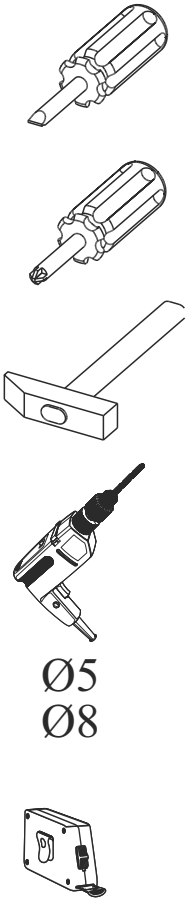
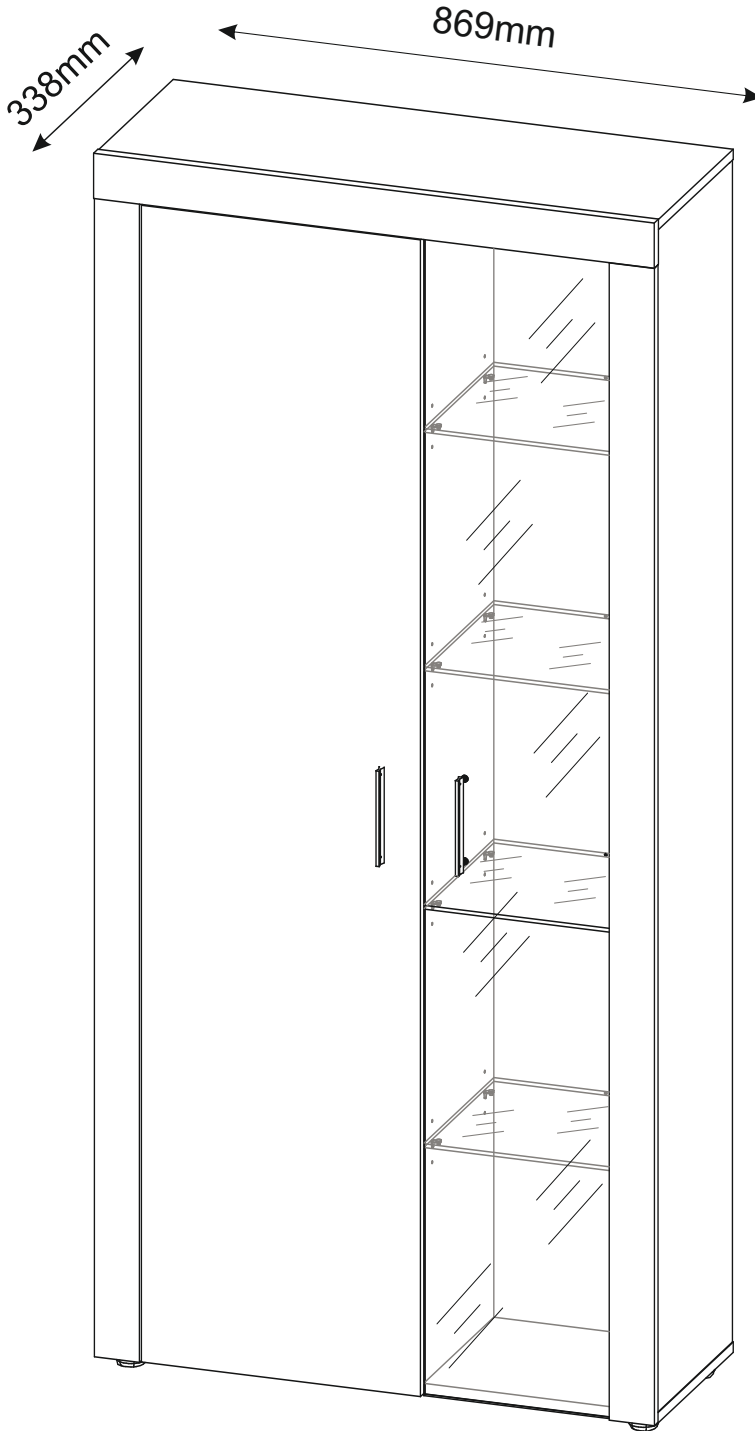
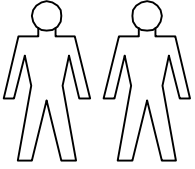
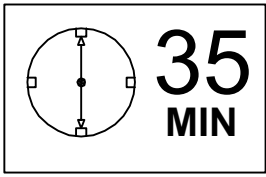


4 ▶

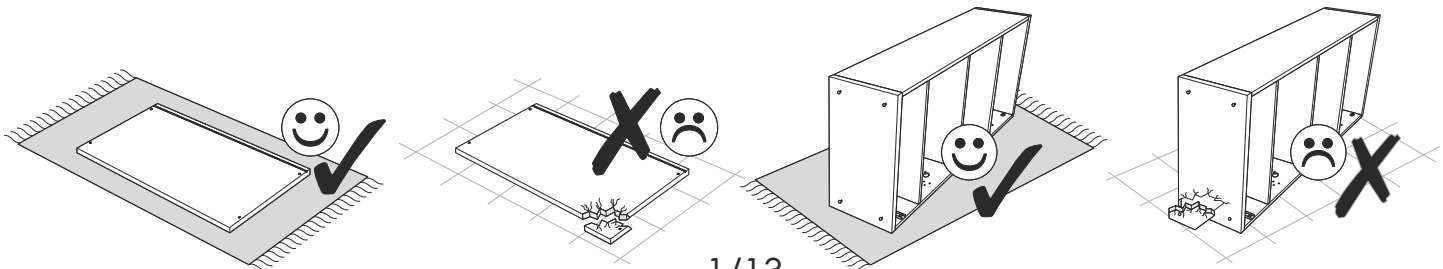


5 ▶



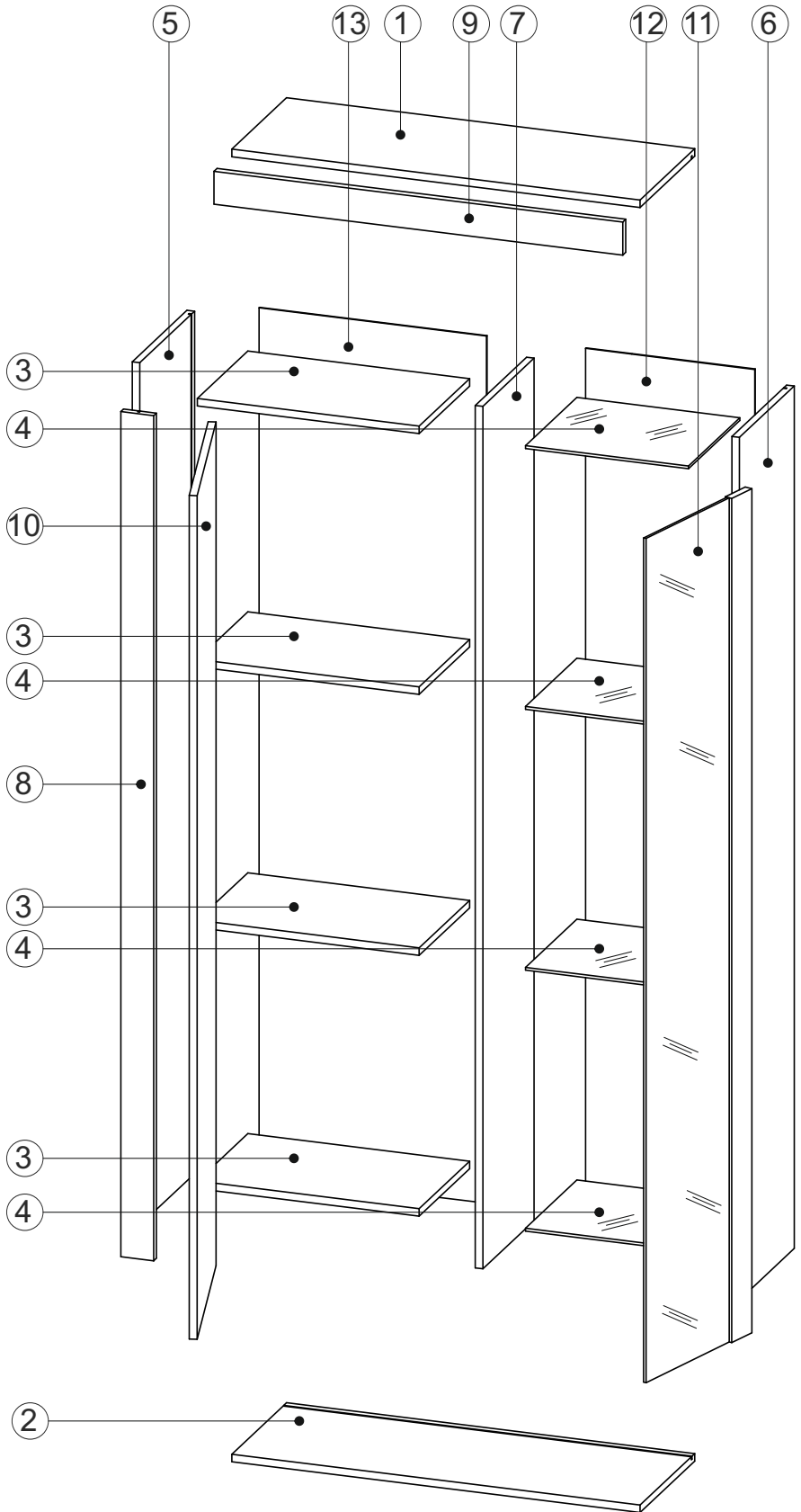


Ø5
Ø8



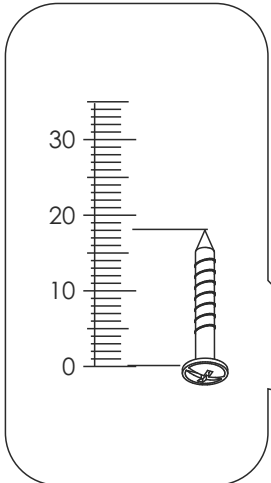
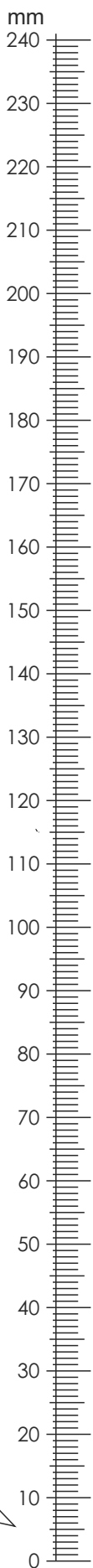


Tall cabinet					
1	868	320	16	x1	1/3
2	868	320	16	x1	1/3
3	471	295	16	x4	1/3
4	346	290	5	x4	1/3
5	1835	320	16	x1	2/3
6	1835	320	16	x1	2/3
7	1835	300	16	x1	2/3
8	1798	70	16	x1	2/3
9	896	70	18	x1	2/3
10	432	1796	16	x1	3/3
11	1796	362	16	x1	3/3
12	1845	360	2.8	x1	3/3
13	1845	484	2.8	x1	3/3
14					1/3

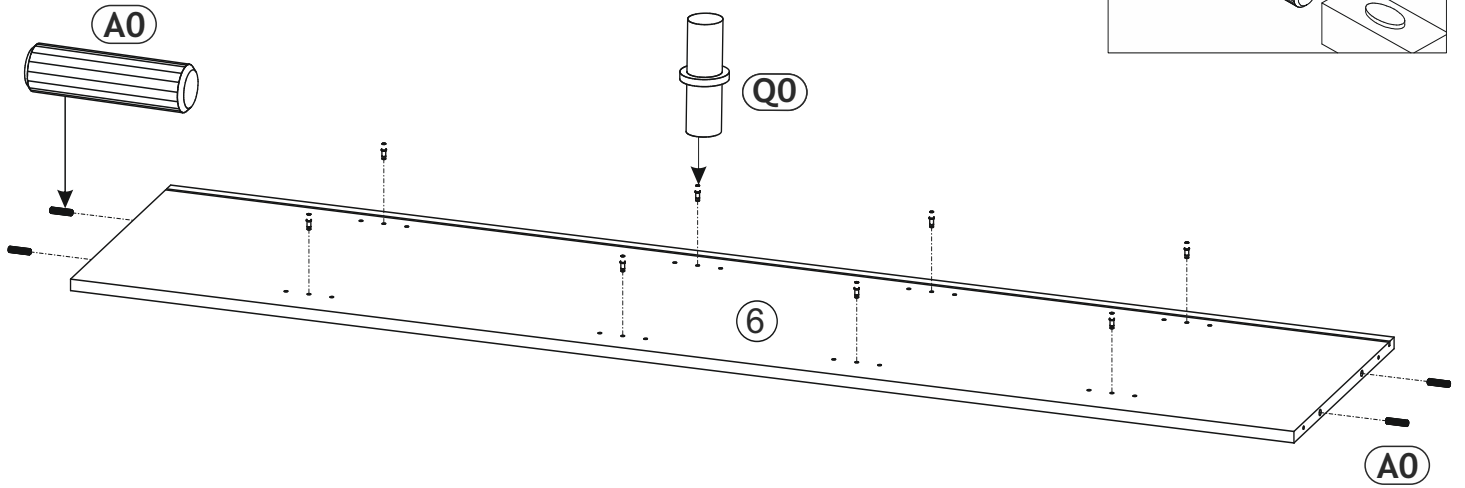
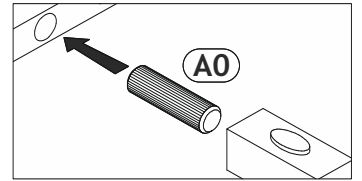
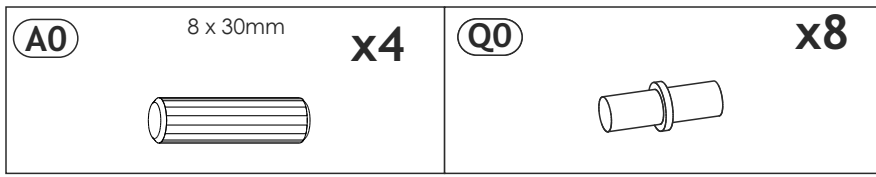




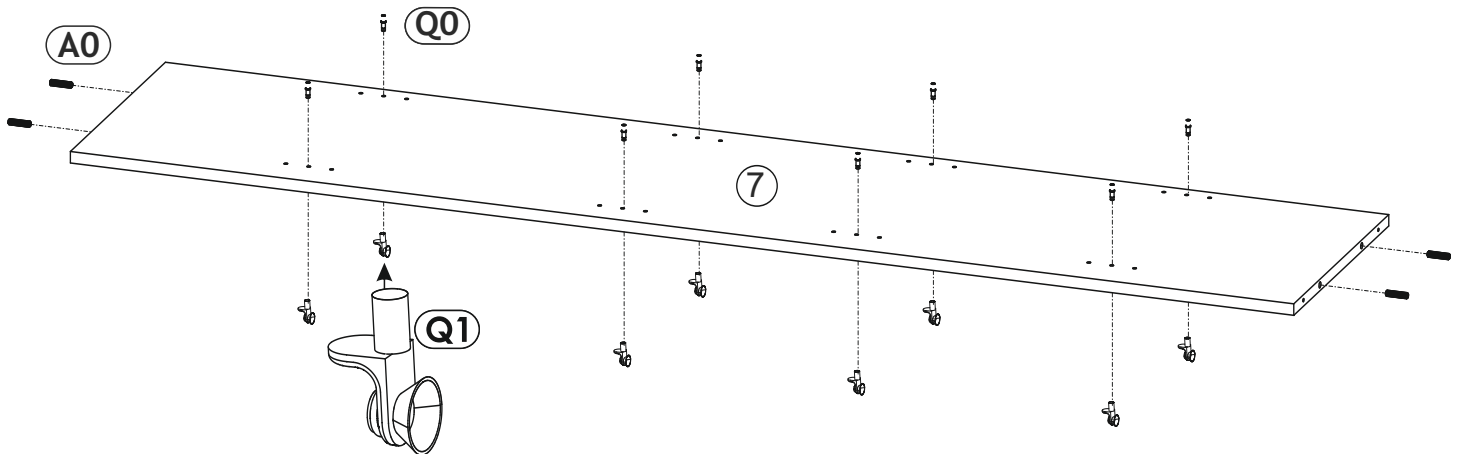
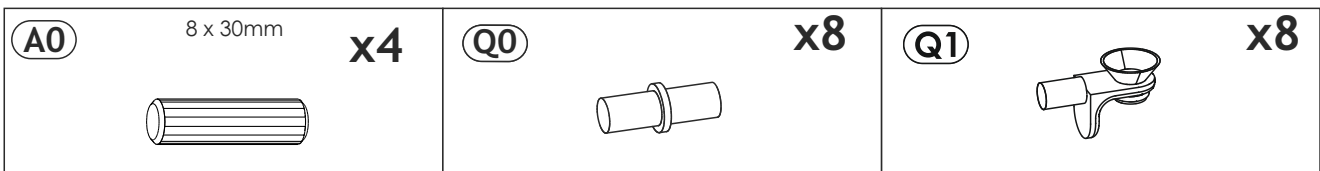
A0 8 x 30mm x12 	G4 x1	B1 7 x 50 mm x12
D0 3 x 15 mm x28 	D4 3,5 x 18 mm x2 	D6 3 x 20 mm x15
D7 3,5 x 27 mm x2 	D10 4 x 16 mm x14 	D12 4 x 25 mm x5
D21 5 x 13 mm x1 	E0 5 x 50 mm 8 x 50 mm x1 	J6 x3
J8 x3	J15 x3	J15 x3
K 4mm x1	L27 x2	M1 x12
M3 x3	P0 x1	P27 x7
U0 x2	U1 x2	T17 x5
Q0 x16	Q1 x16	
Q5 x2		




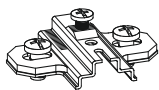

1 ▶

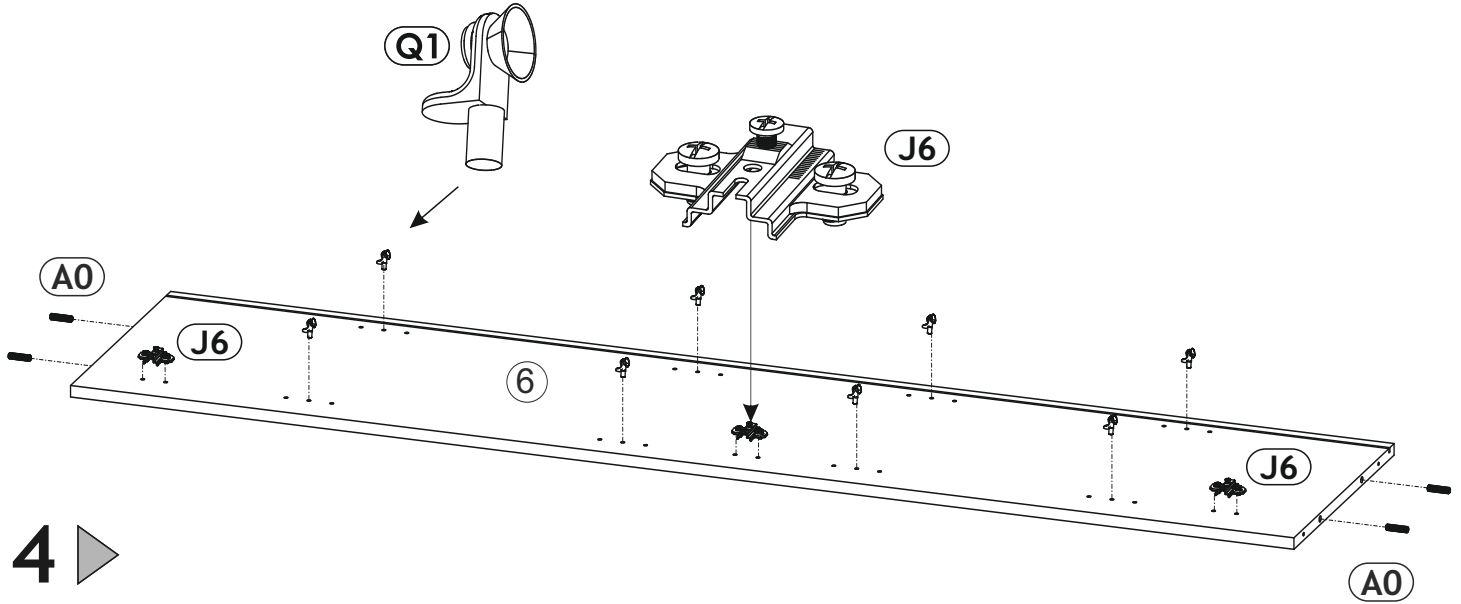


2 ▶

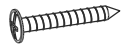
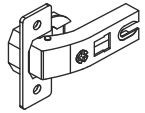
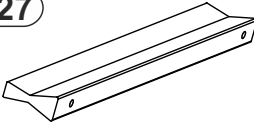
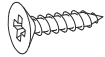



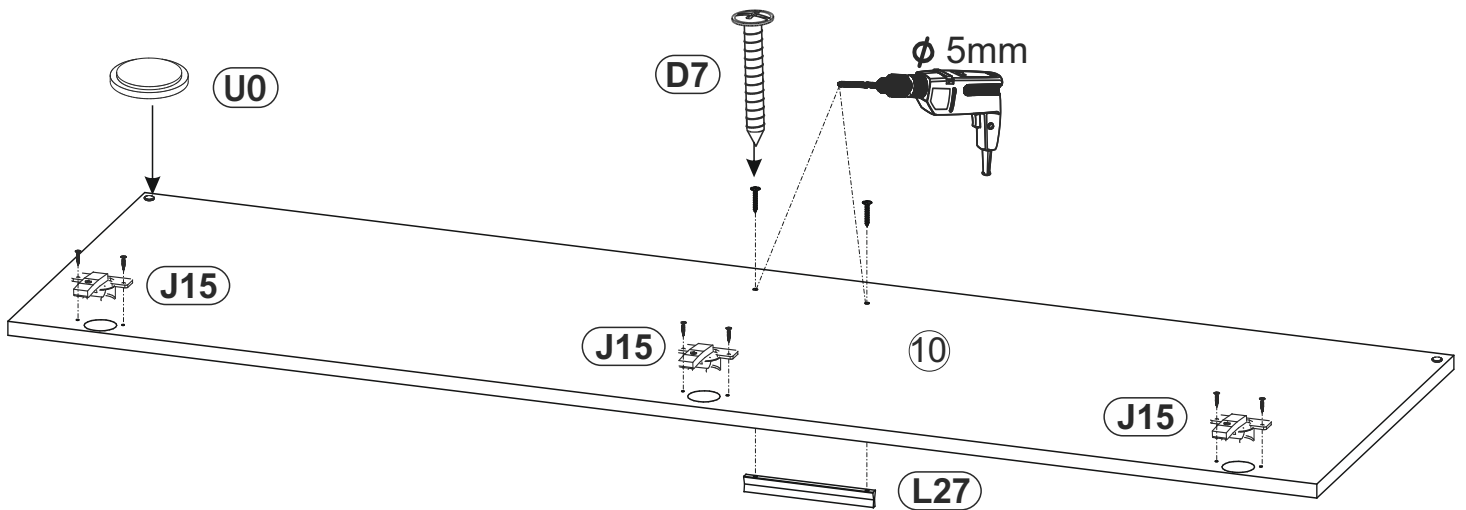
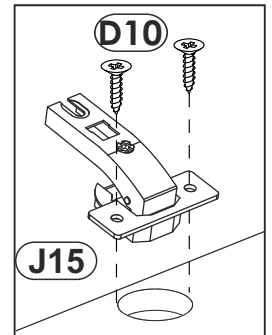
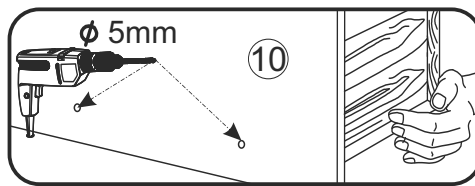
3 ▶

A0 8 x 30mm x4 	J6 x3 	Q1 x8 
---	---	---

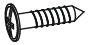
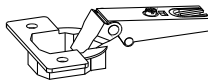
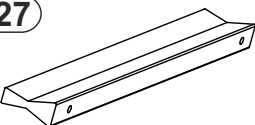
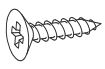
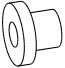


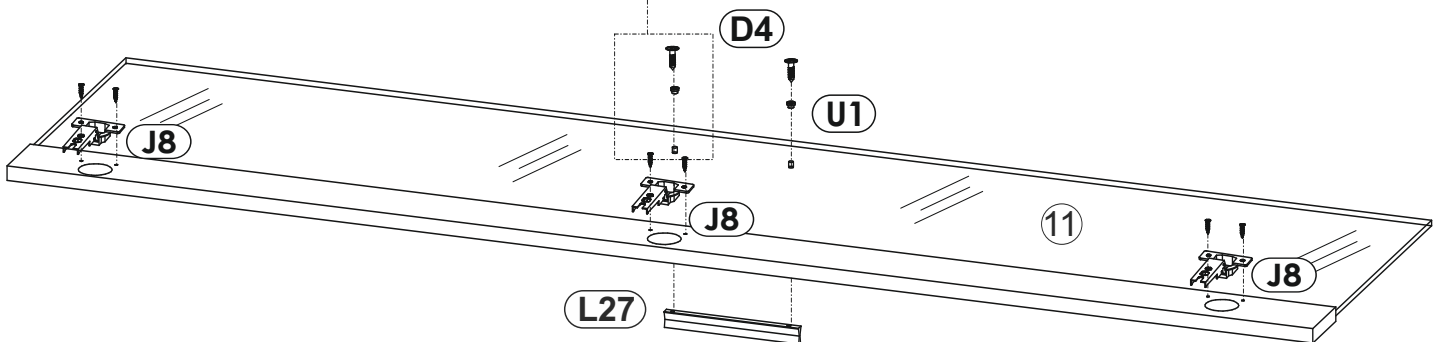
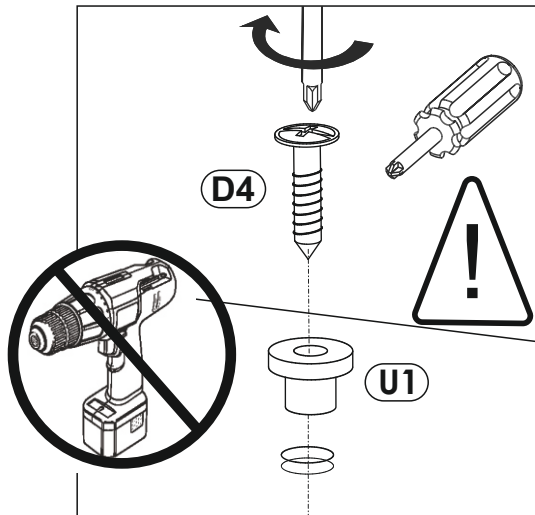
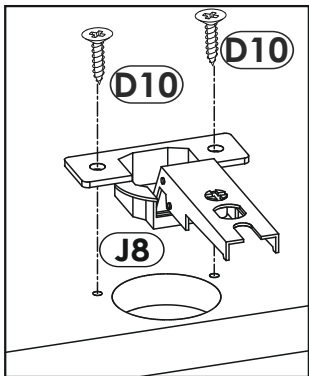
4 ▶

D7 3,5 x 27 mm x2 	J15 x3 	L27 x1 
D10 4 x 16 mm x6 	U0 x2 	


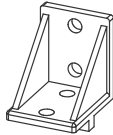
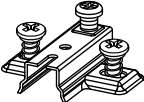


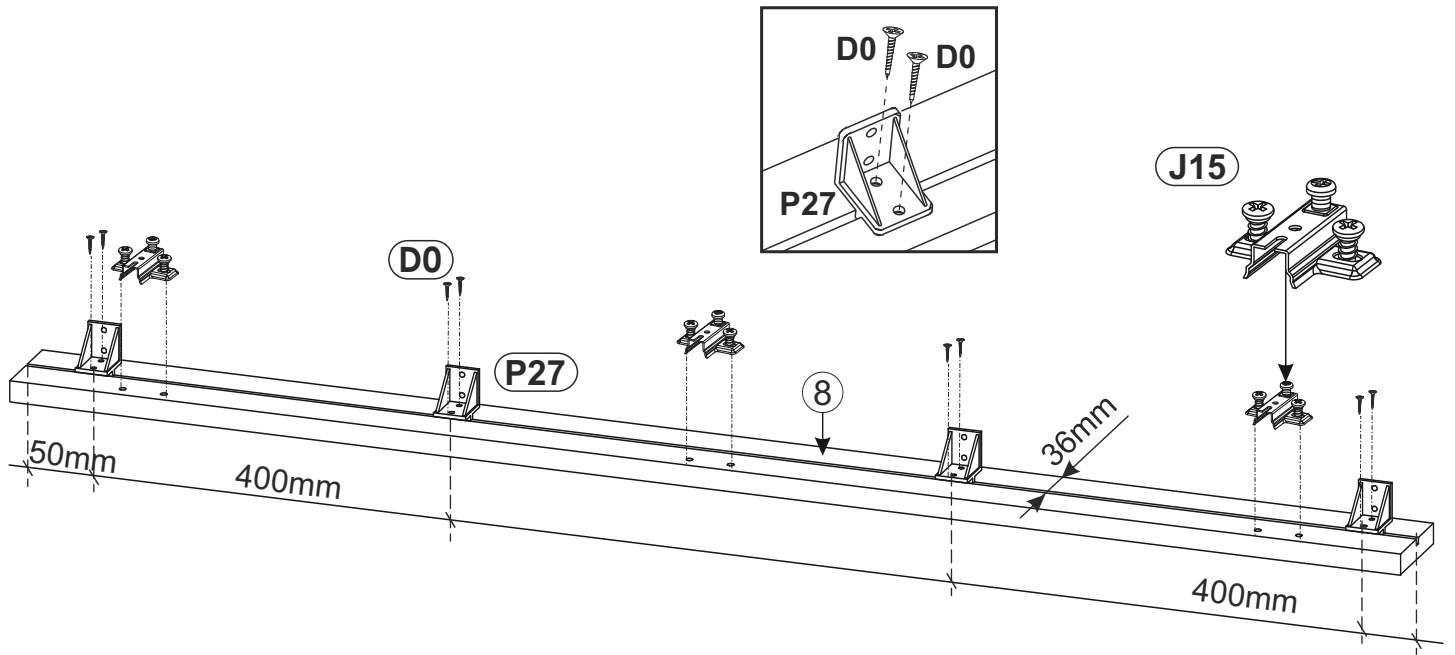
5 ▶

<p>D4 3,5 x 18 mm x2</p> 	<p>J8 x3</p> 	<p>L27 x1</p> 
<p>D10 4 x 16 mm x6</p> 	<p>U1 x2</p> 	


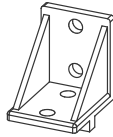


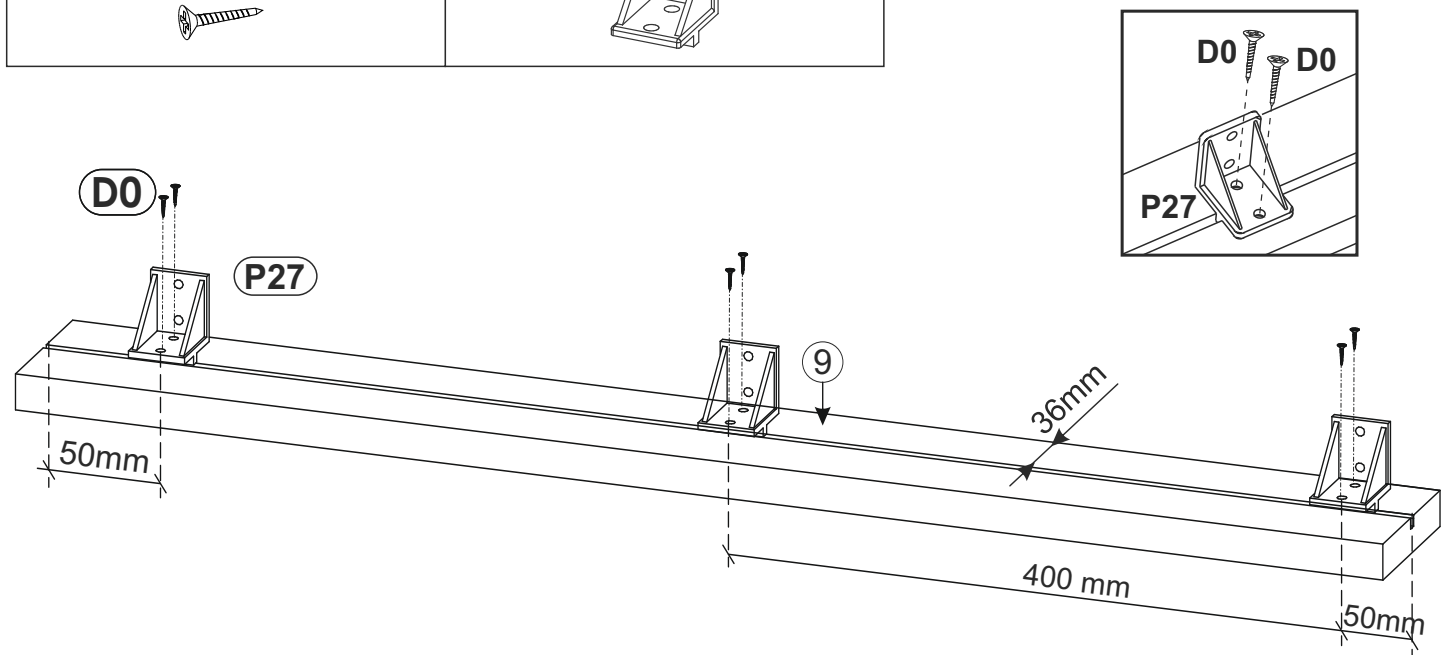
6 ▶

D0 3 x 15 mm x8 	P27  x4	J15  x3
--	--	--

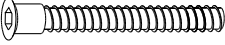
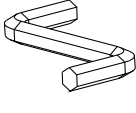


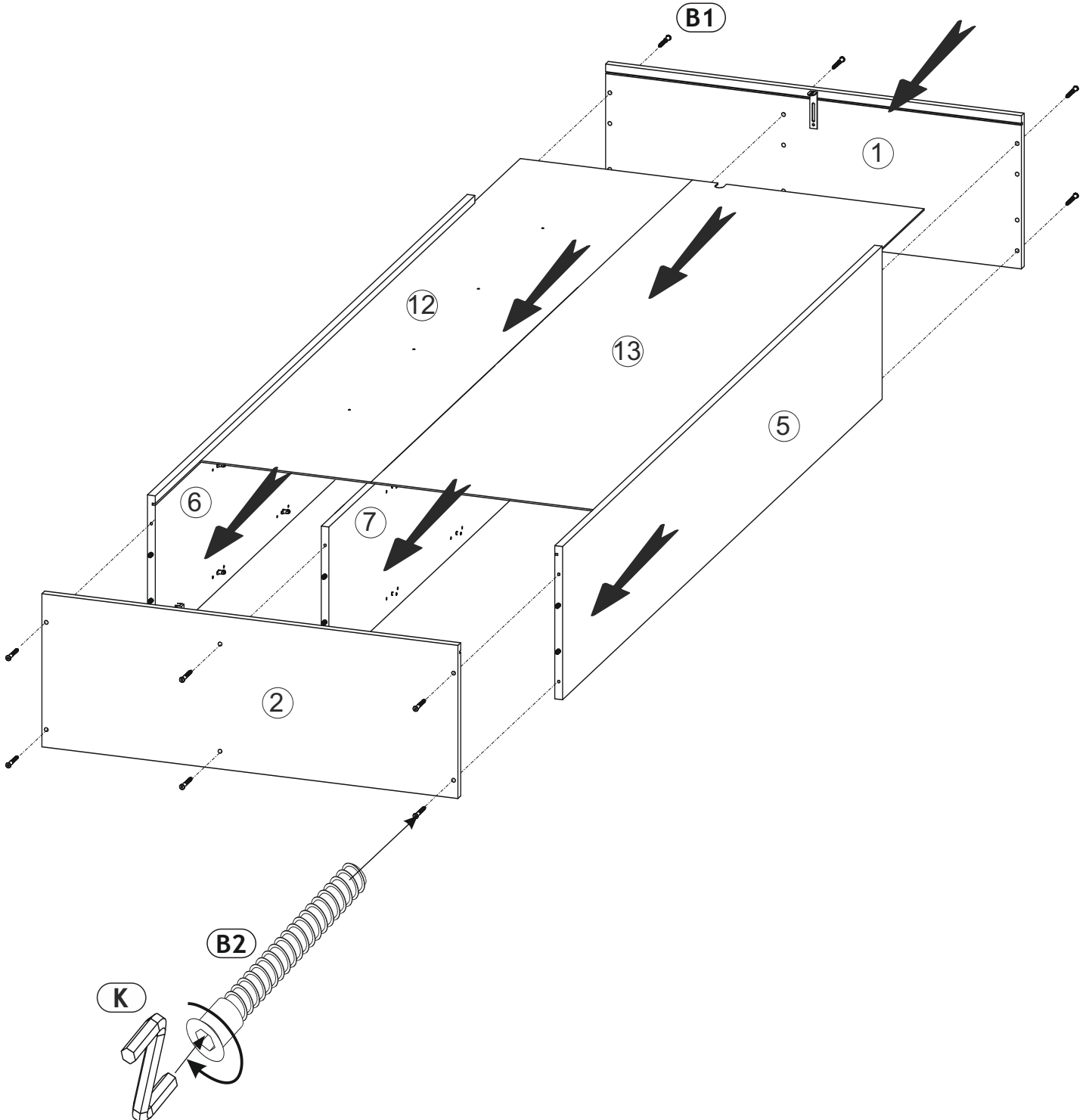
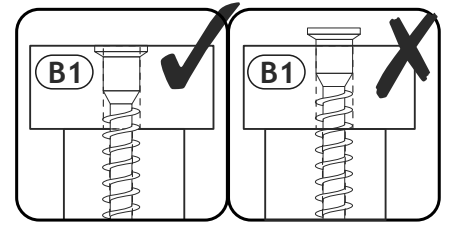
7 ▶

D0 3 x 15 mm x6 	P27  x3
--	--



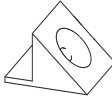
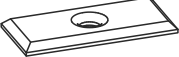



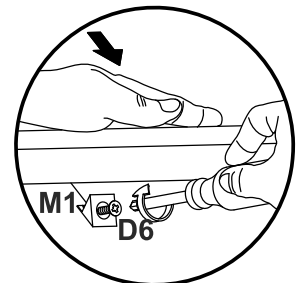
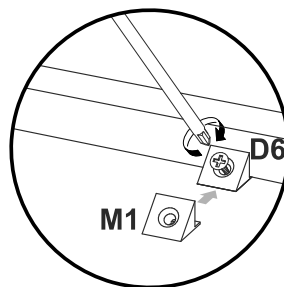
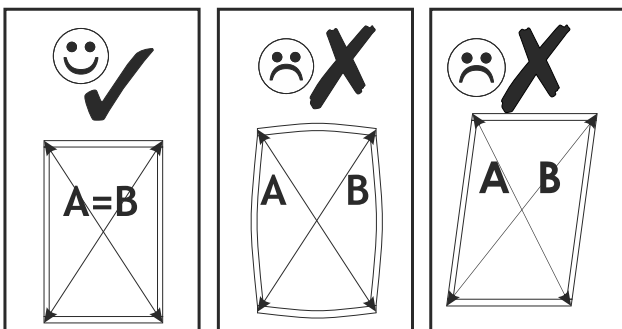
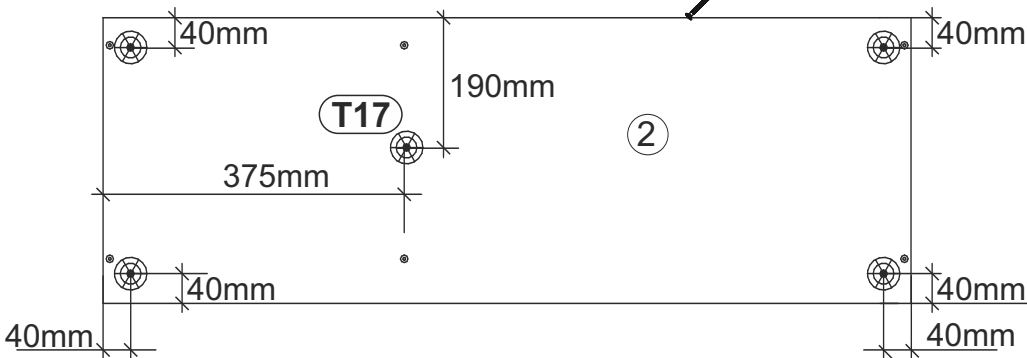
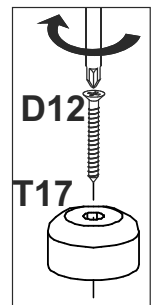
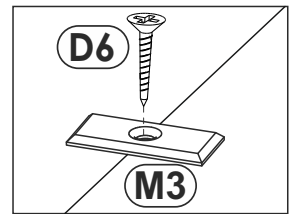
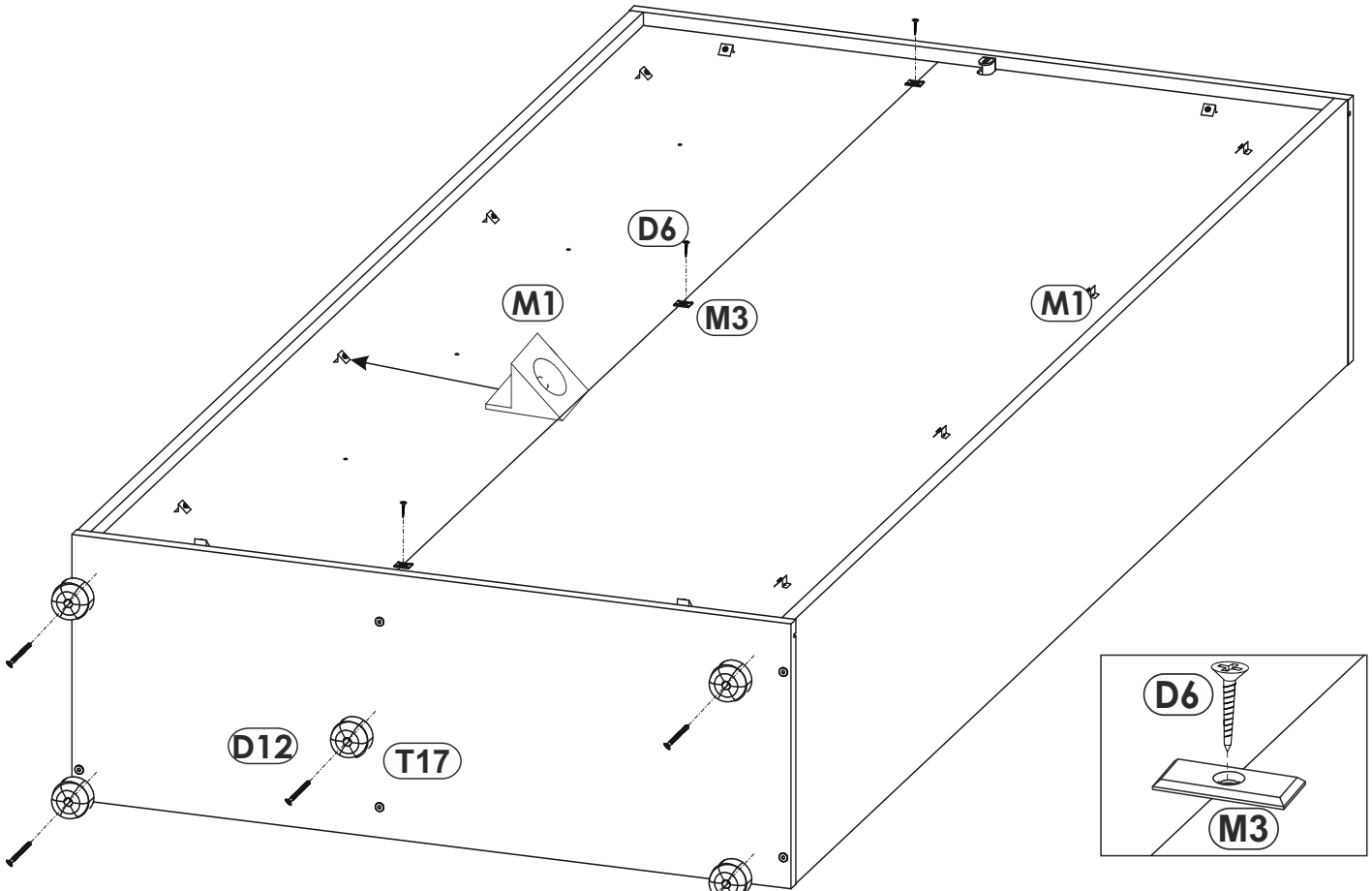
8

B1	6.4 x 50 mm	x12	K	4mm	x1
					



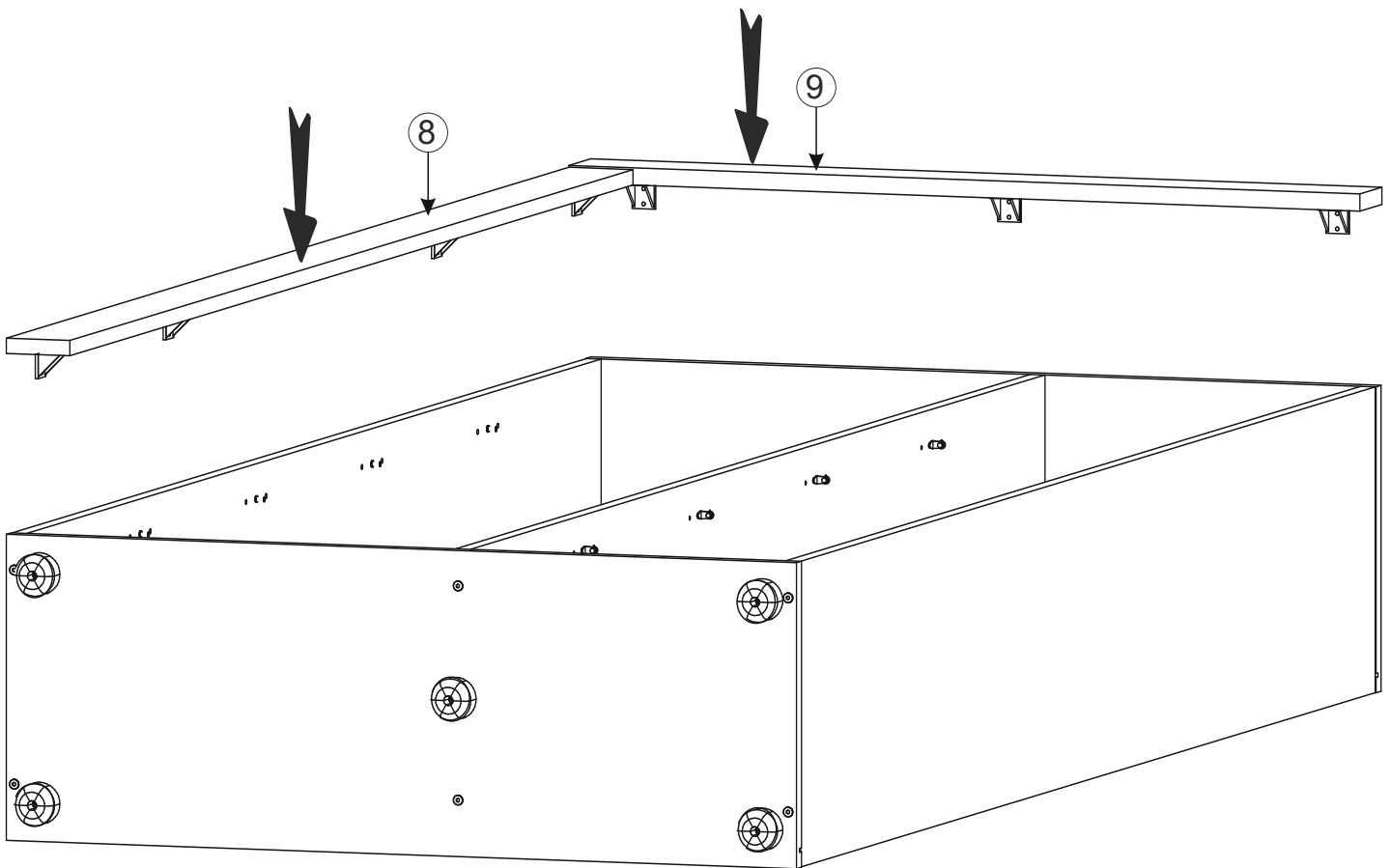
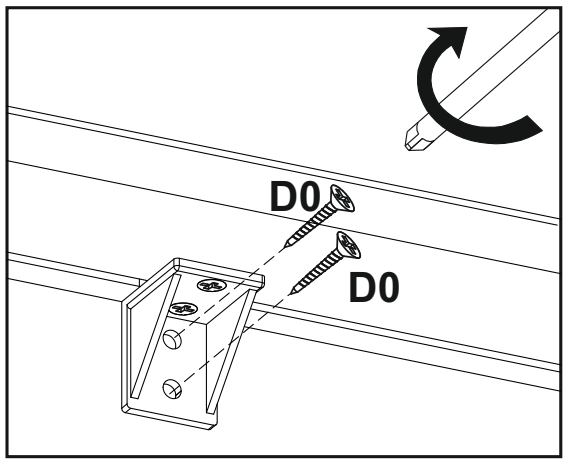

9

D6 3 x 20 mm x15 	D12 4 x 25 mm x5 	M1  x12
M3  x3	T17  x5	

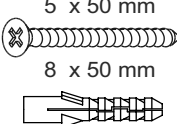
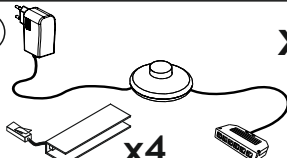

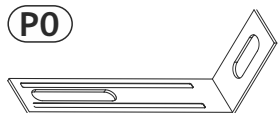


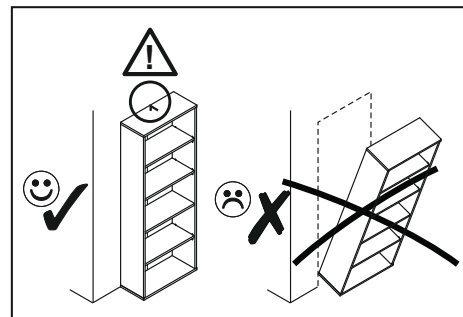
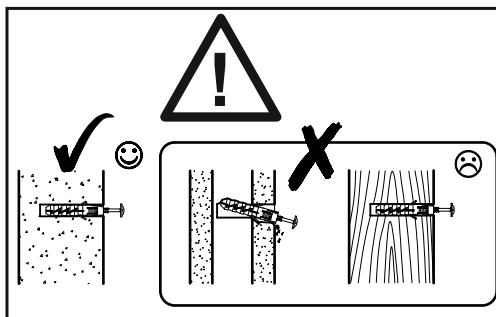
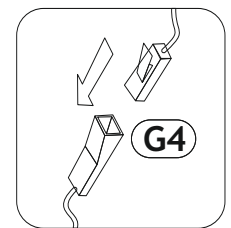
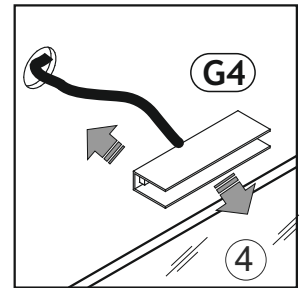
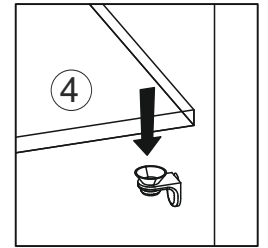
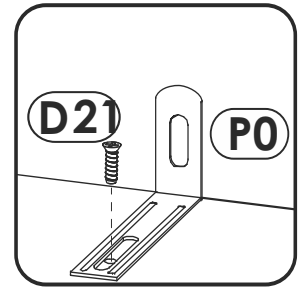
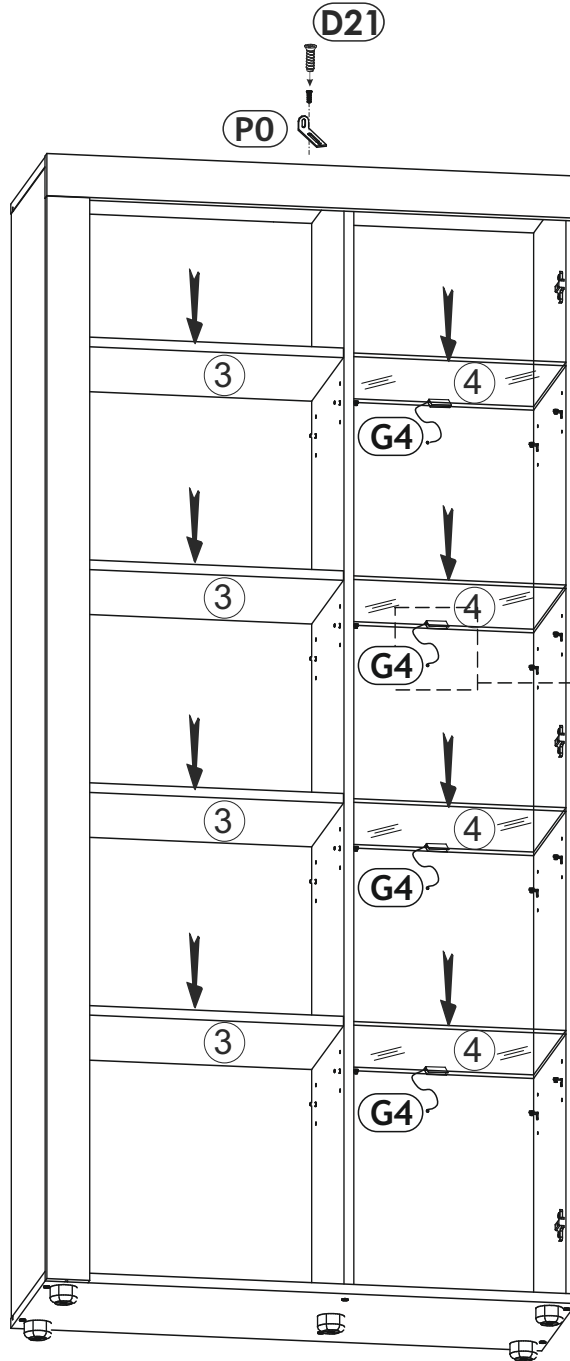
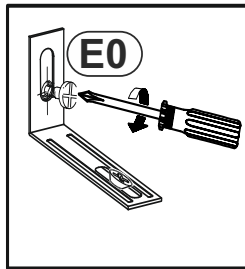
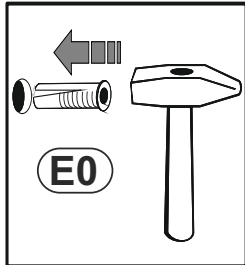
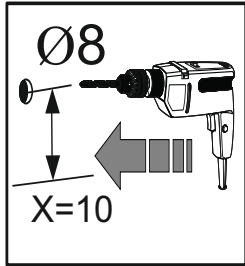
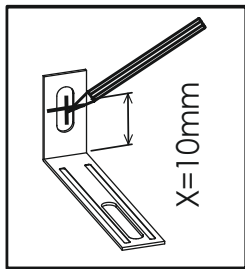
10 ▶

D0	3 x 15 mm	x14
-----------	-----------	------------

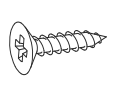
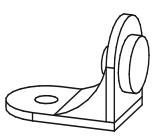


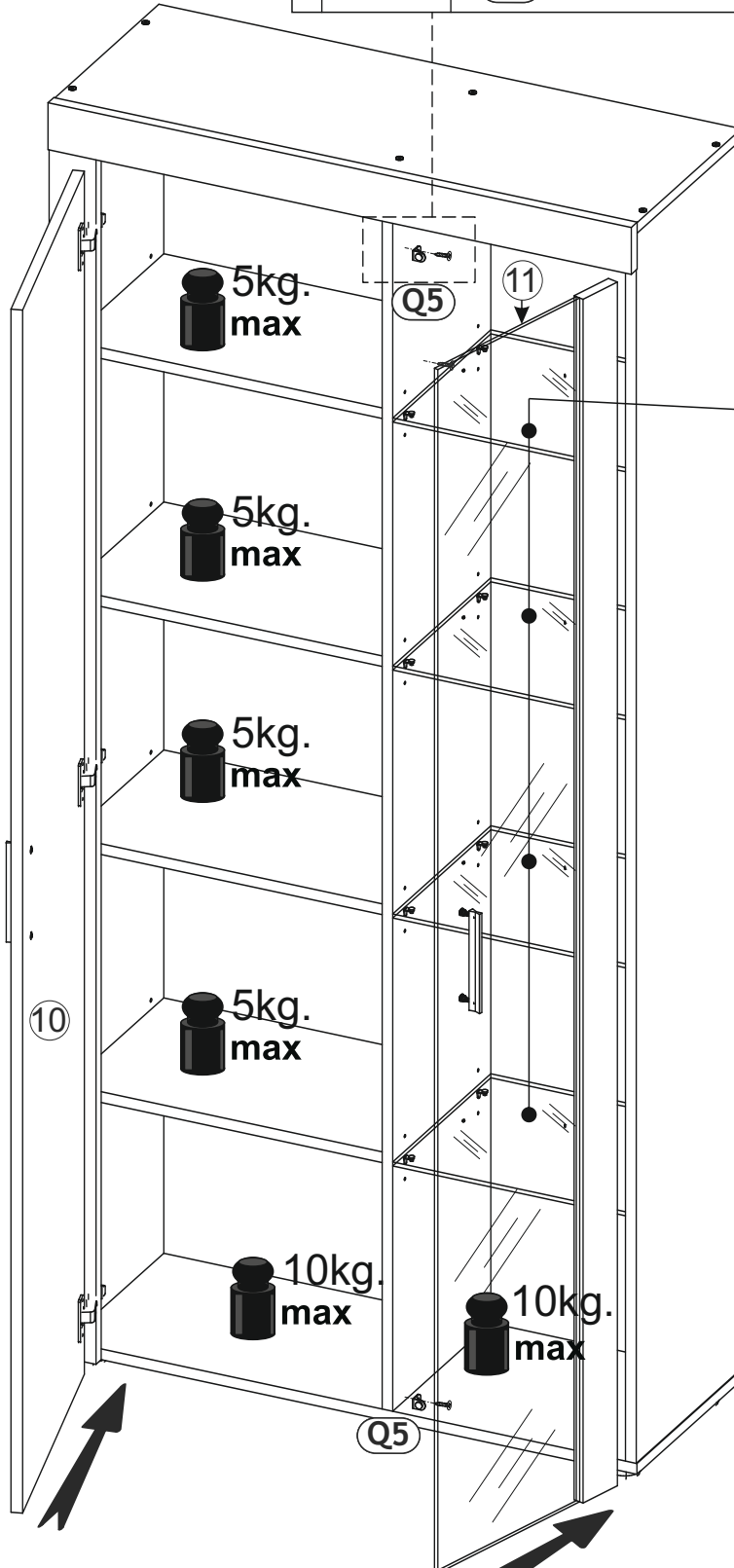
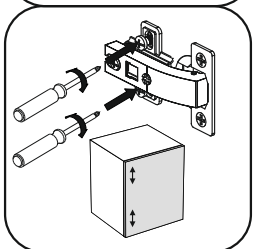
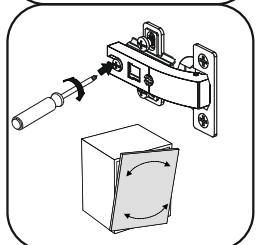
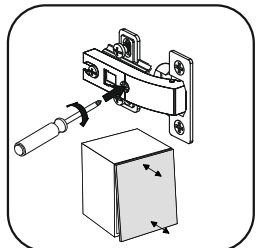
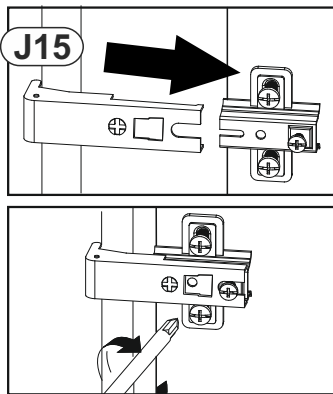
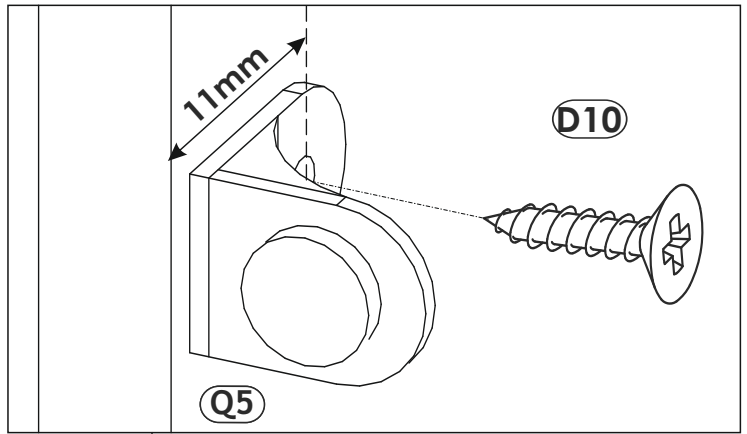
11 ▶

E0 5 x 50 mm 8 x 50 mm 	G4 	D21 5 x 13 mm 
P0 		

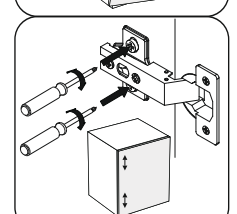
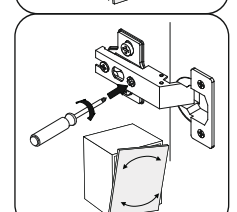
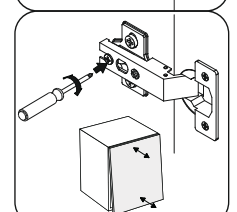
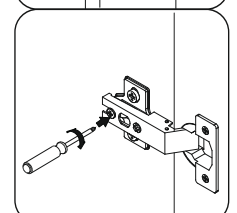
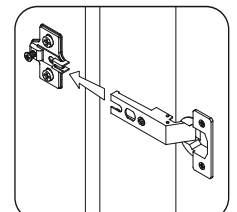


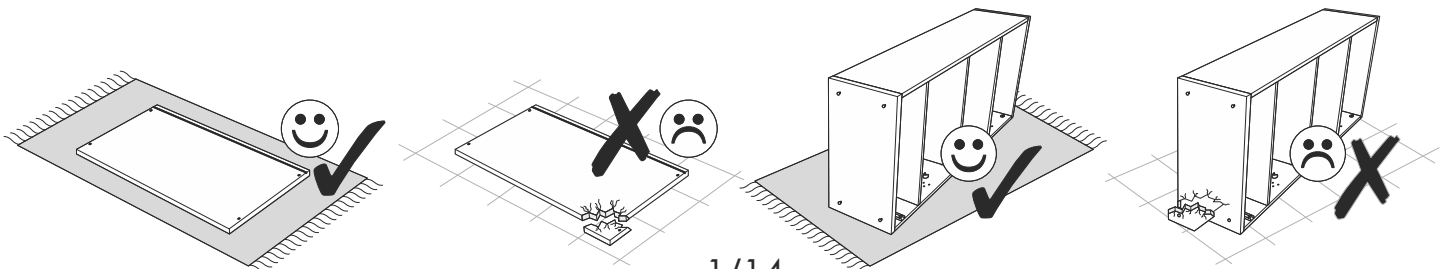
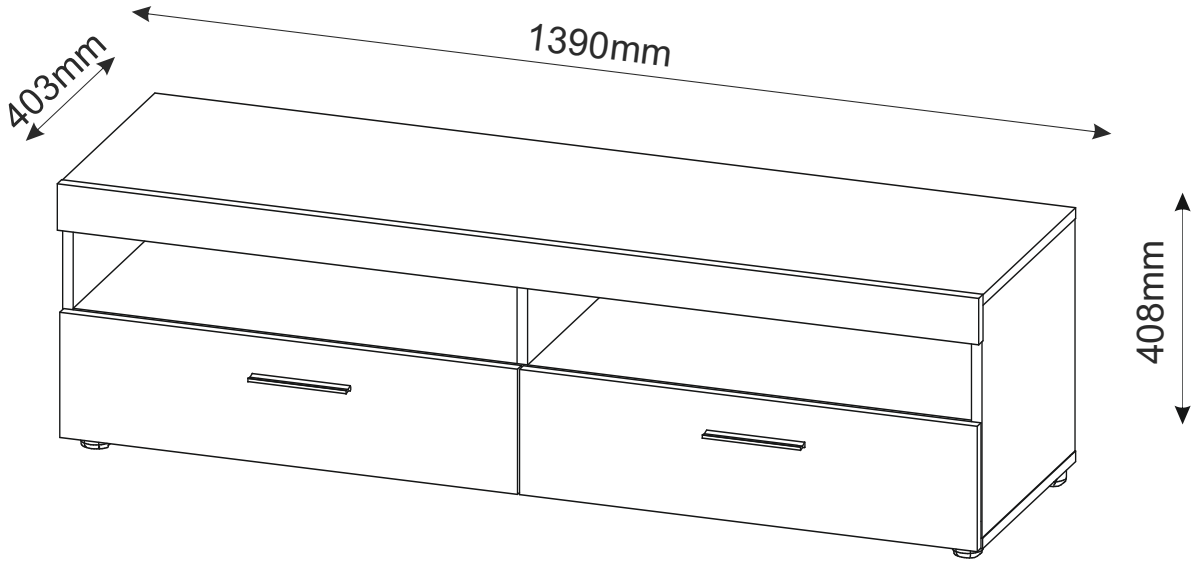
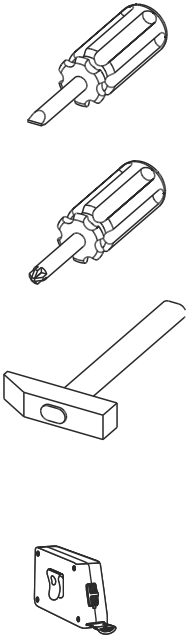
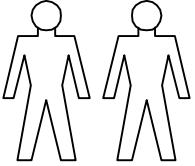
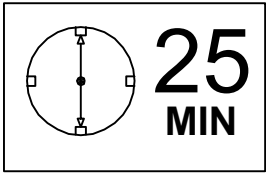
12

D10	4 x 16 mm	x2
		
Q5		x2
		



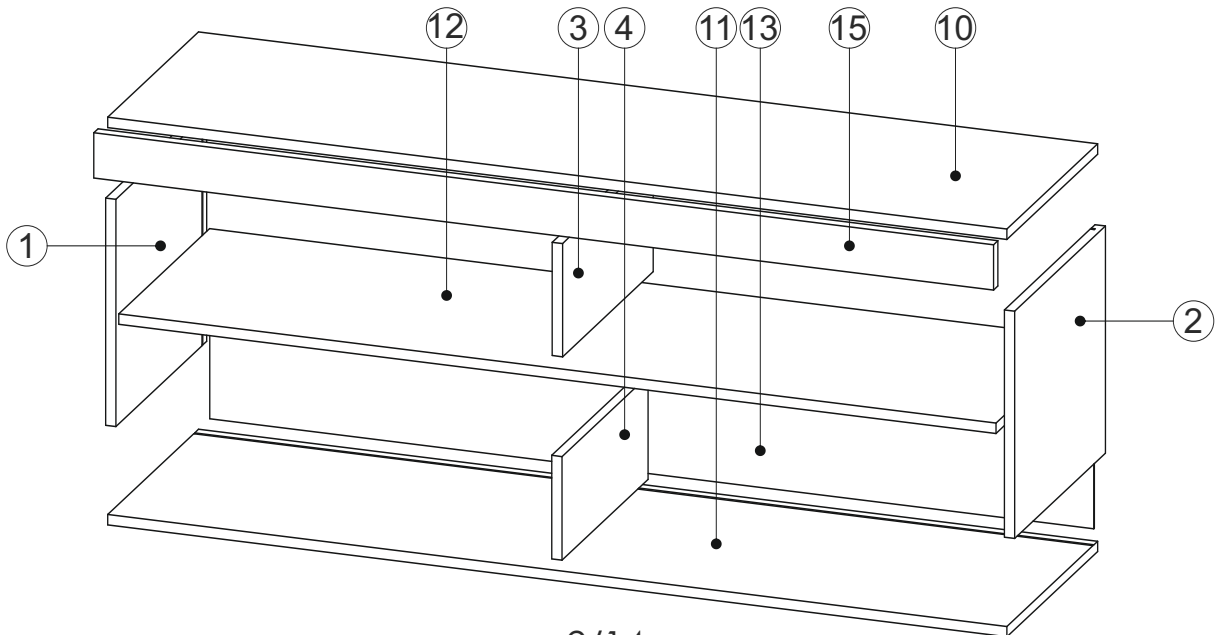
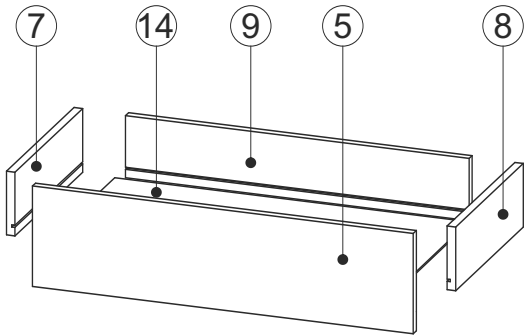
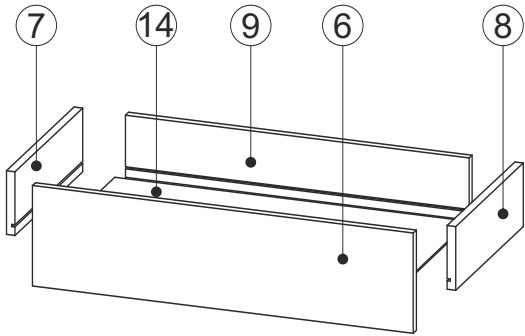
3kg. max






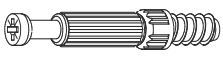



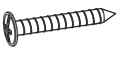



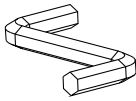
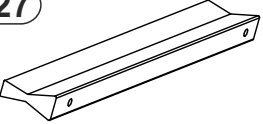
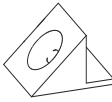
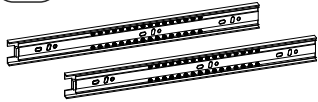
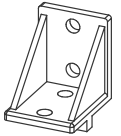

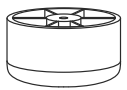


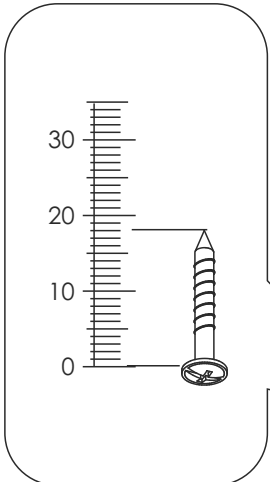
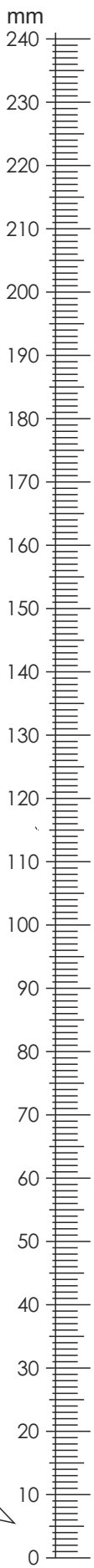


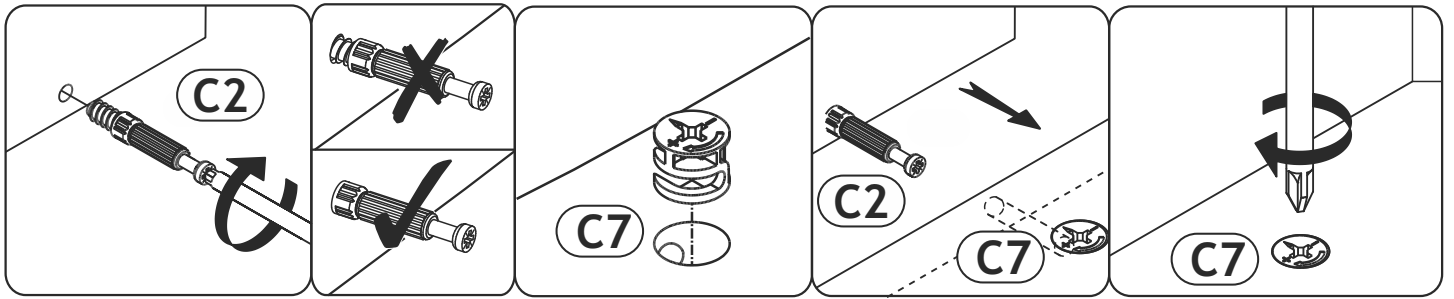
TV cabinet 2Dr					
1	351	385	16	x1	1/1
2	351	385	16	x1	1/1
3	175	385	16	x1	1/1
4	160	365	16	x1	1/1
5	690	189	16	x1	1/1
6	690	189	16	x1	1/1
7	350	120	16	x2	1/1
8	350	120	16	x2	1/1
9	611.5	117	16	x2	1/1
10	1389	385	16	x1	1/1
11	1389	385	16	x1	1/1
12	1355	385	16	x1	1/1
13	1365	170	2.8	x1	1/1
14	621	344	2.8	x2	1/1
15	1390	70	18	x1	1/1
16					1/1



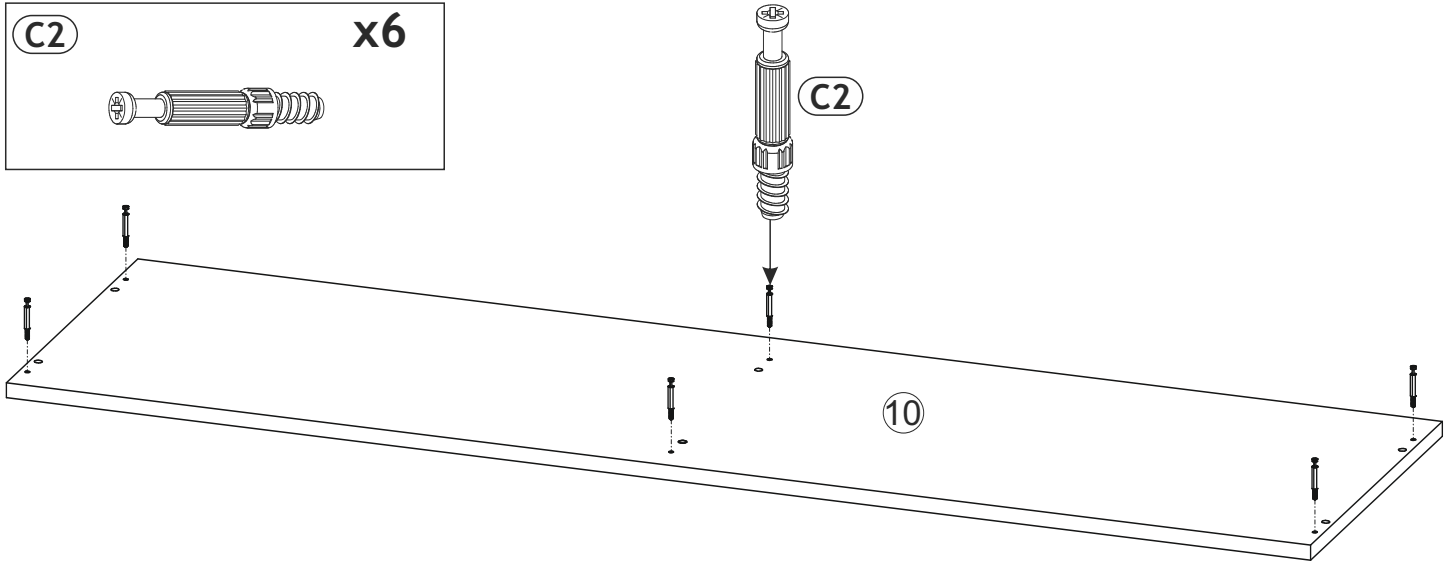
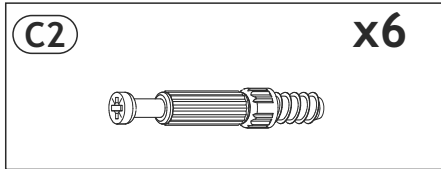


A0 8 x 30mm x36 	B1 6.4 x 50 mm x12 	C0  x10
C2  x16	C7 16mm  x16	D0 3 x 15 mm  x16
D6 3 x 20 mm  x24	D7 3,5 x 27 mm  x4	D12 4 x 25 mm  x5
D20 5 x 9 mm  x8	D21 5 x 13 mm  x20	K 4mm  x1
L27  x2	M1  x24	N7 L-350  x2
P27  x4	U0  x4	T17  x5

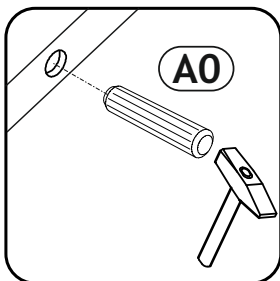
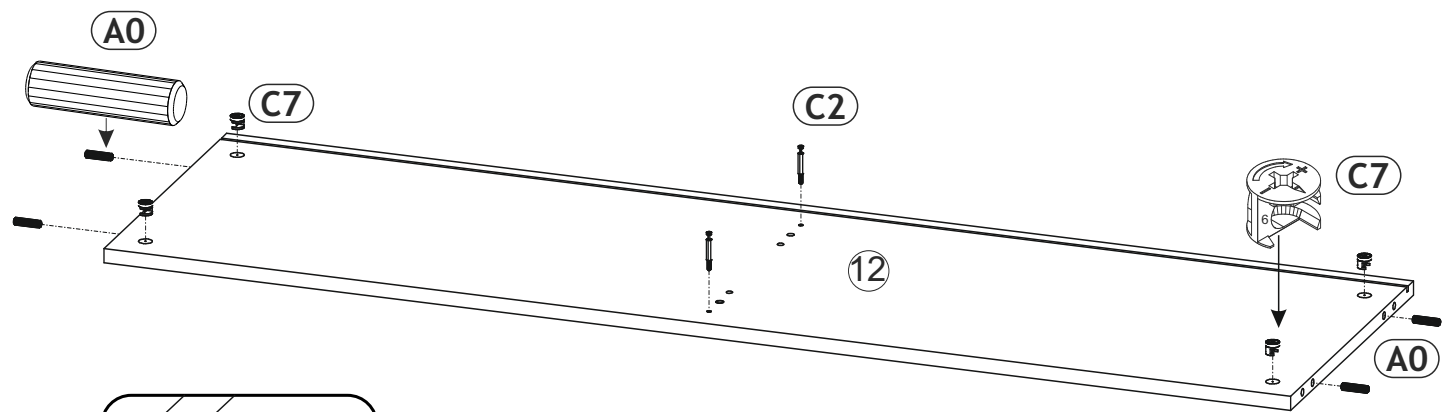
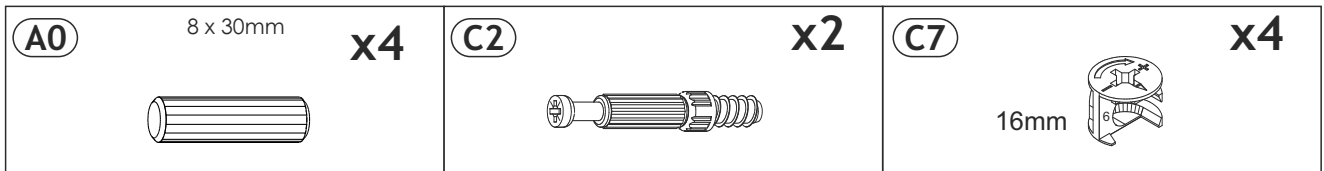




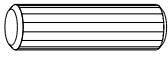




1 ▶

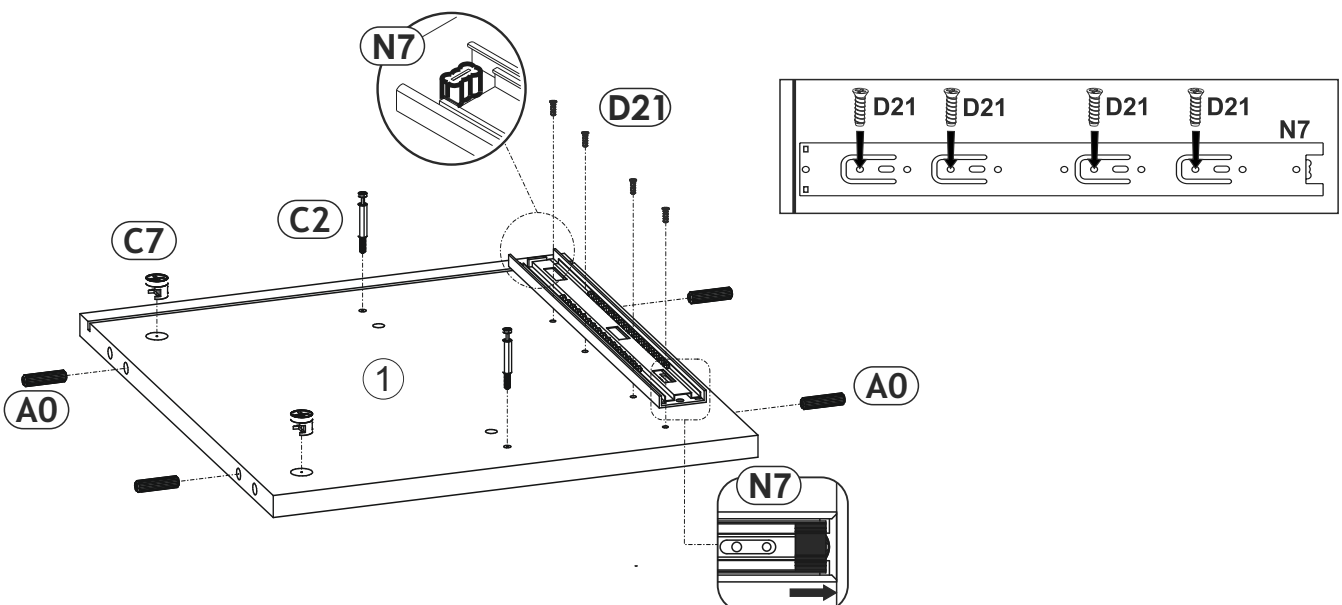
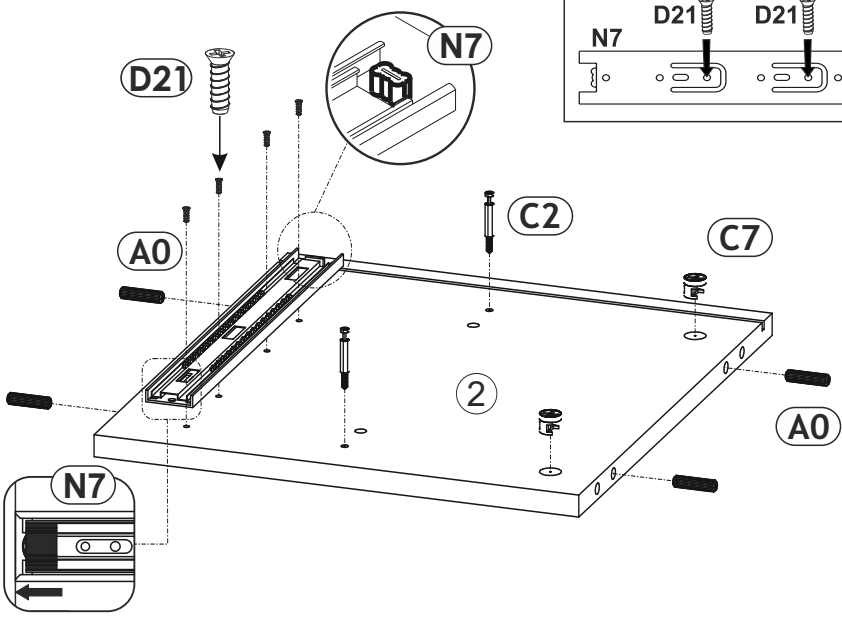
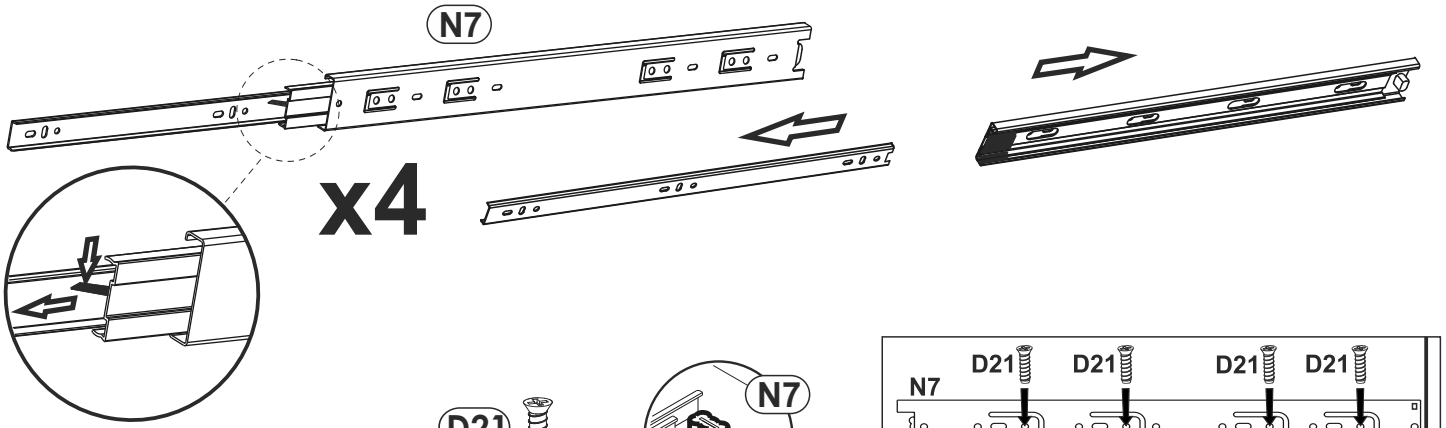


2 ▶







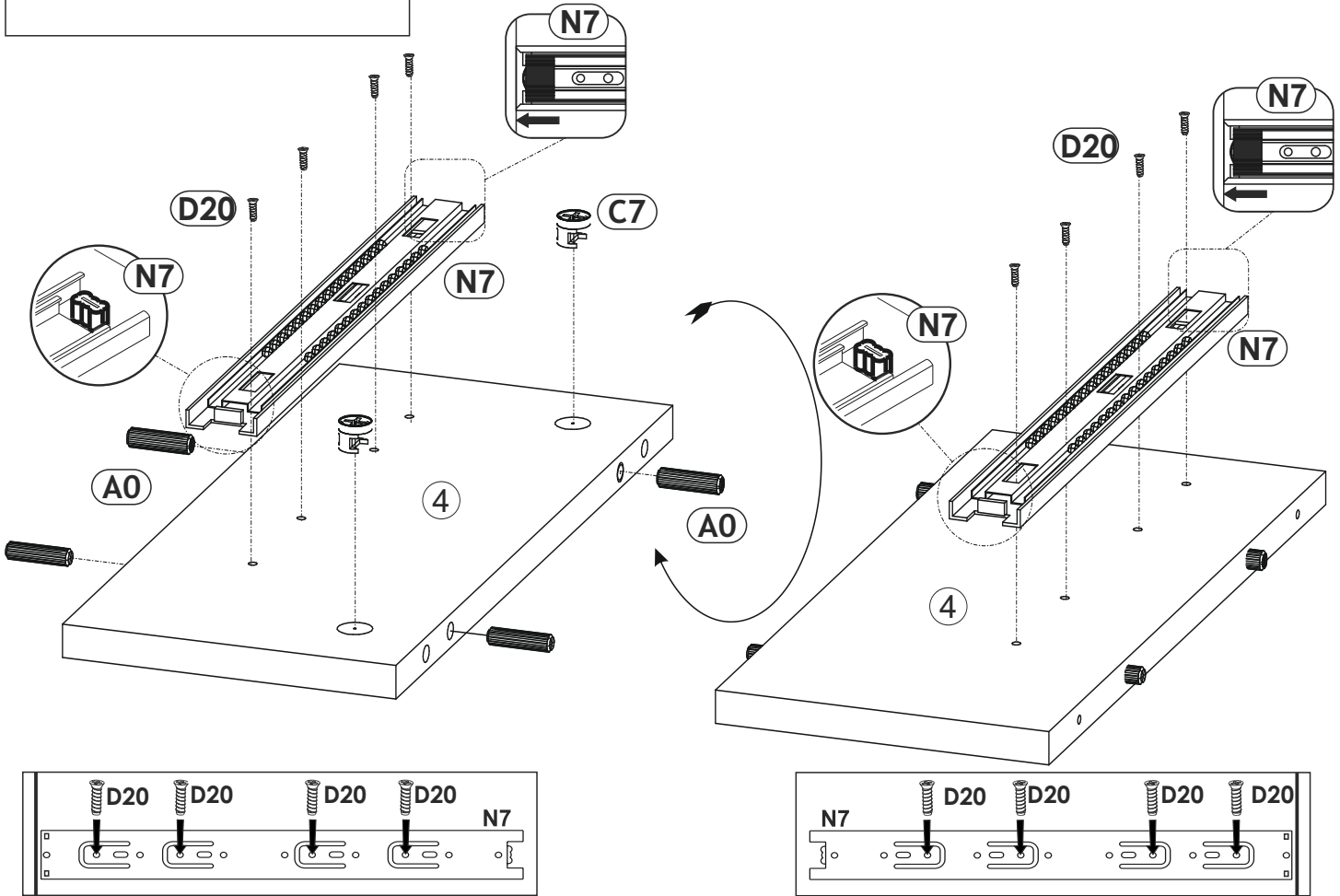
3 ▶

A0 8 x 30mm x8 	C2 x4 	C7 x4  16mm
D21 5 x 13 mm x8 	N7 L-350 x2 	





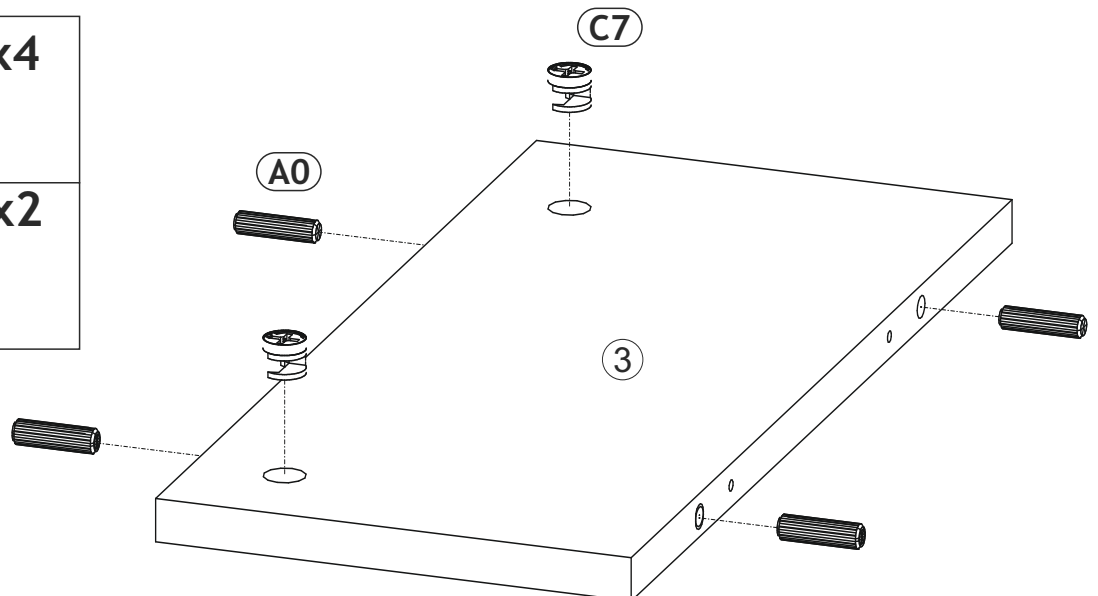
4 ▶

A0 8 x 30mm x4 	C7 16mm x4 	D20 5 x 9 mm x8 
N7 L-350 x2 		

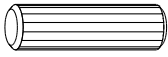




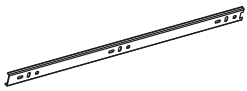
5 ▶

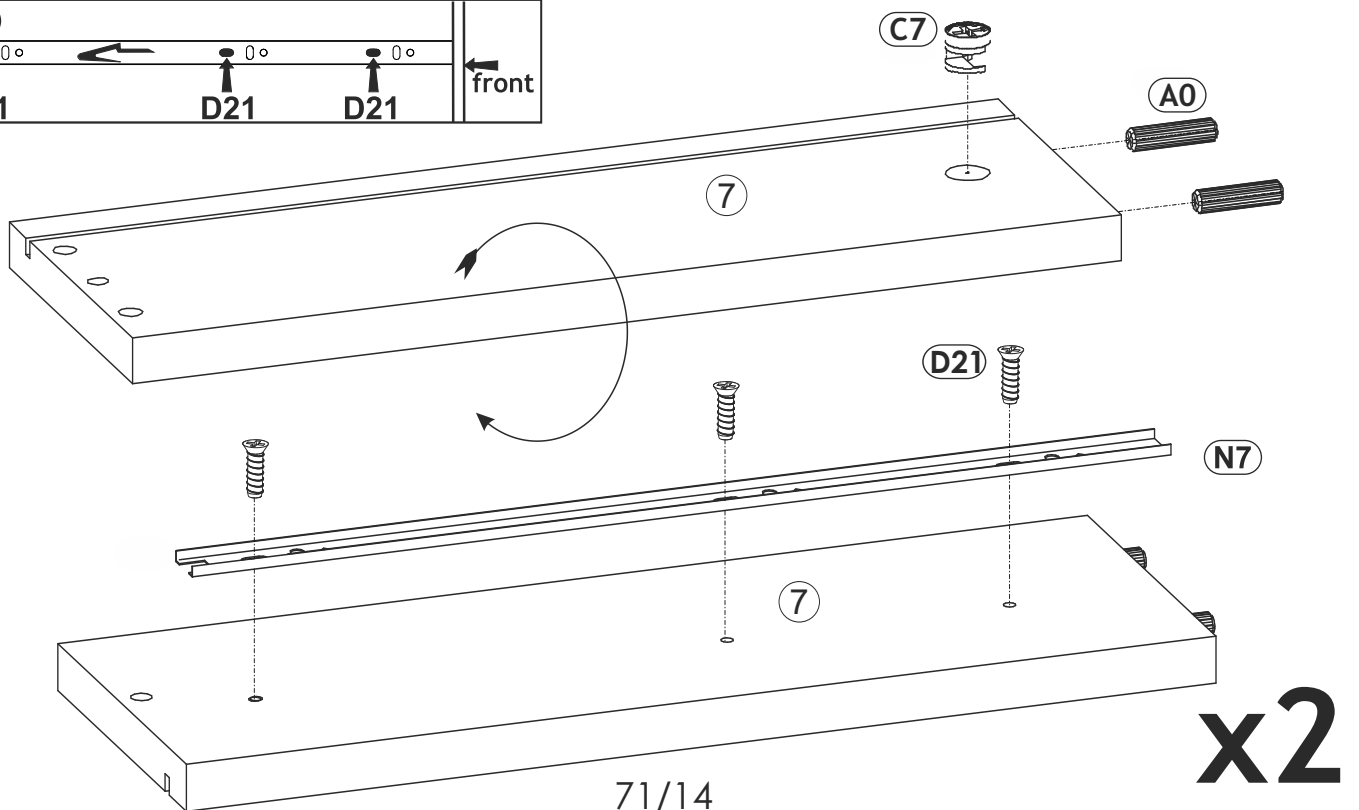
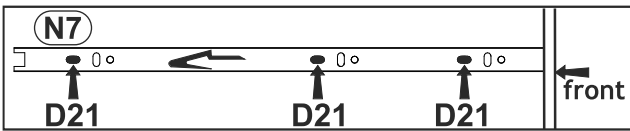
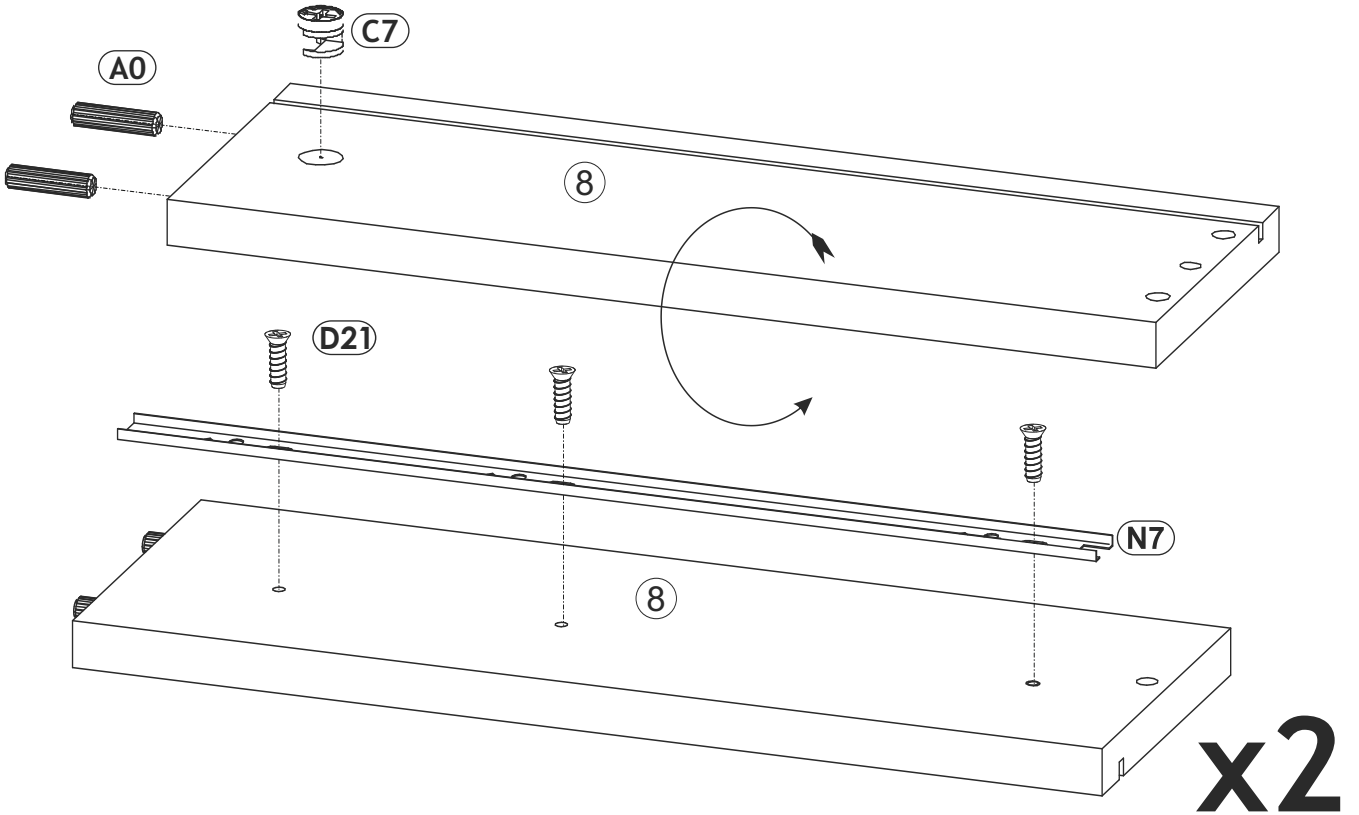
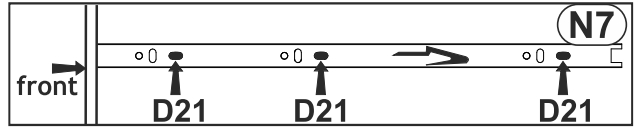
A0 8 x 30mm x4 	C7 16mm x2 
---	---



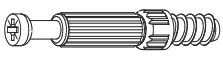
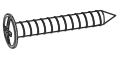
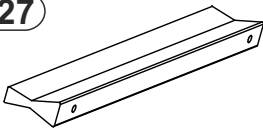
6 ▶

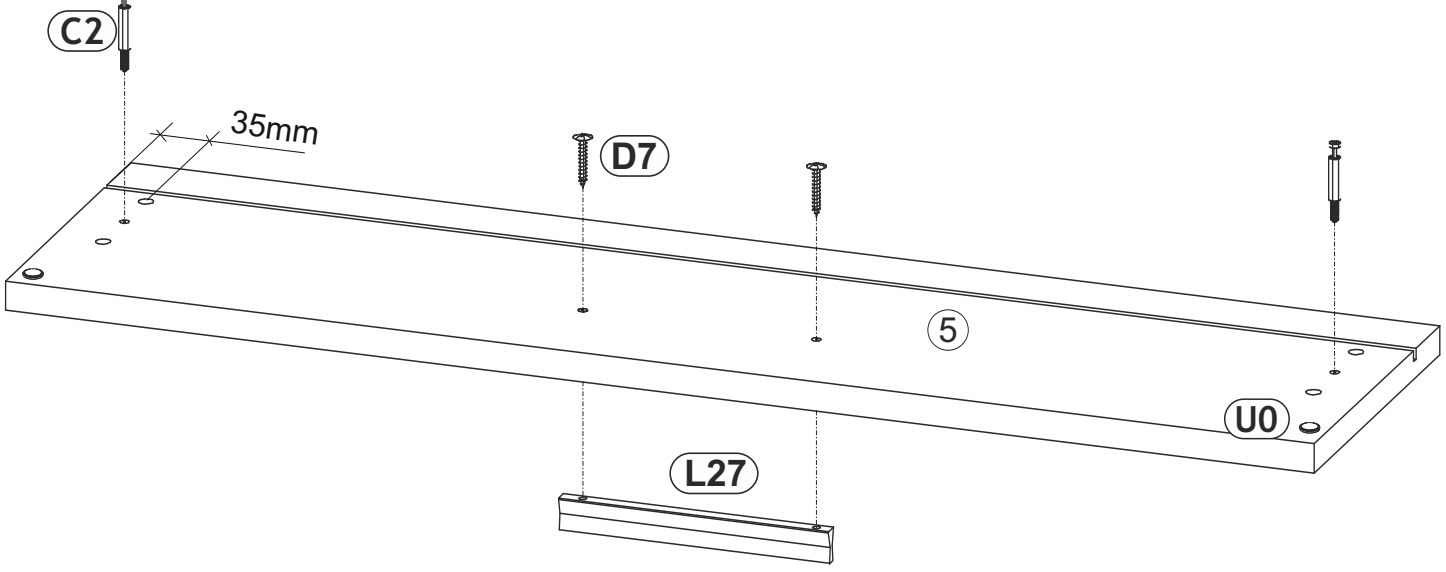
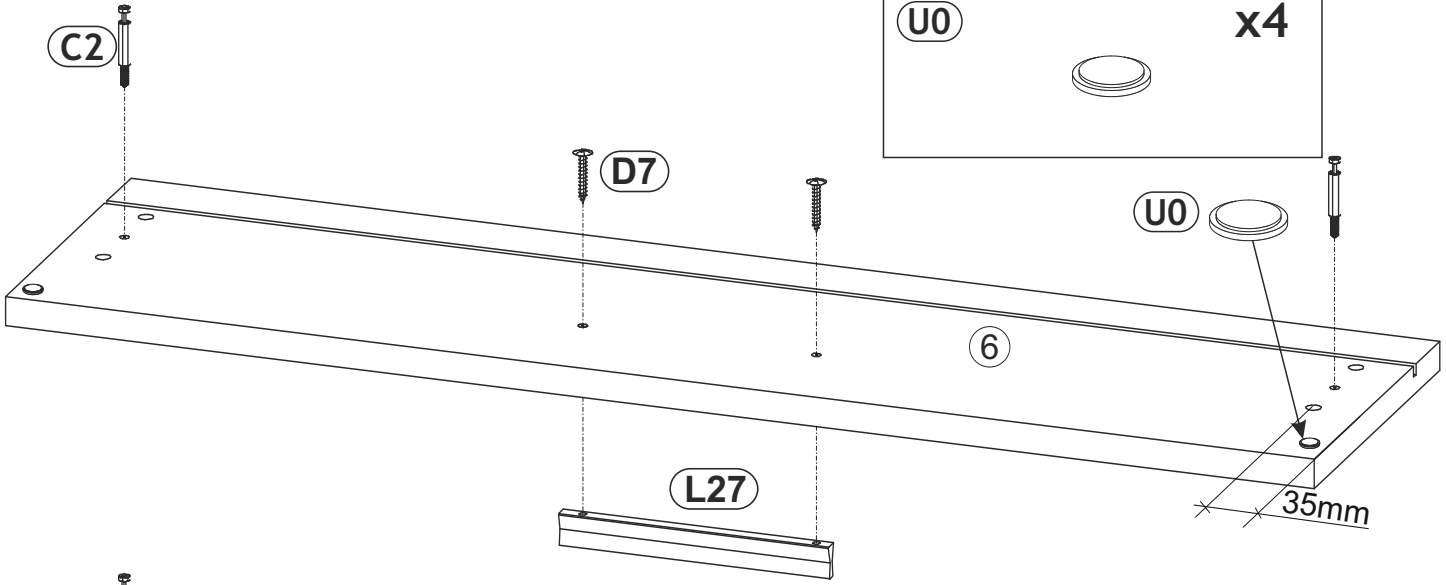
(A0) 8 x 30mm x8 	(C7) 16mm x4 	(D21) 5 x 13 mm x12 
---	---	--

(N7) L-350 x4 
--




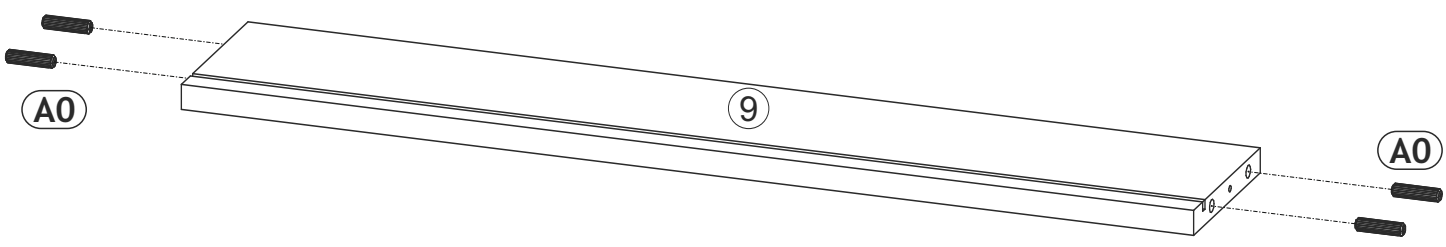
7 ▶

(C2)  x4	(D7) 3,5 x 27 mm  x4	(L27)  x2
---	--	--

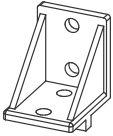


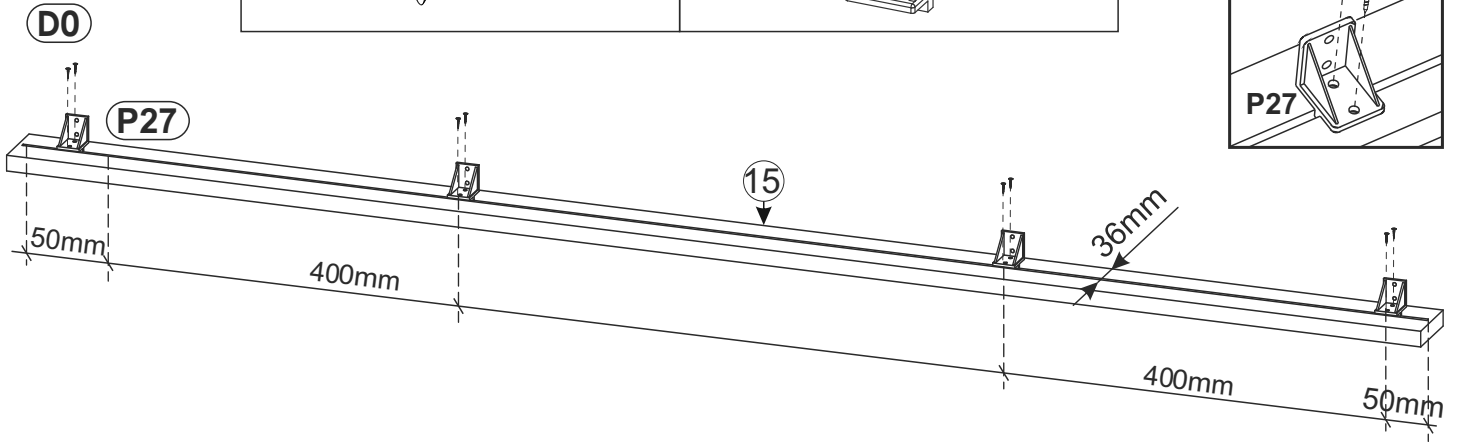
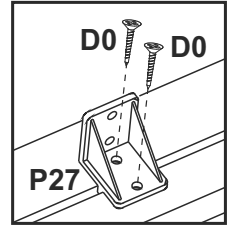
8 ▶

(A0) 8 x 30mm  x4

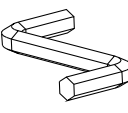


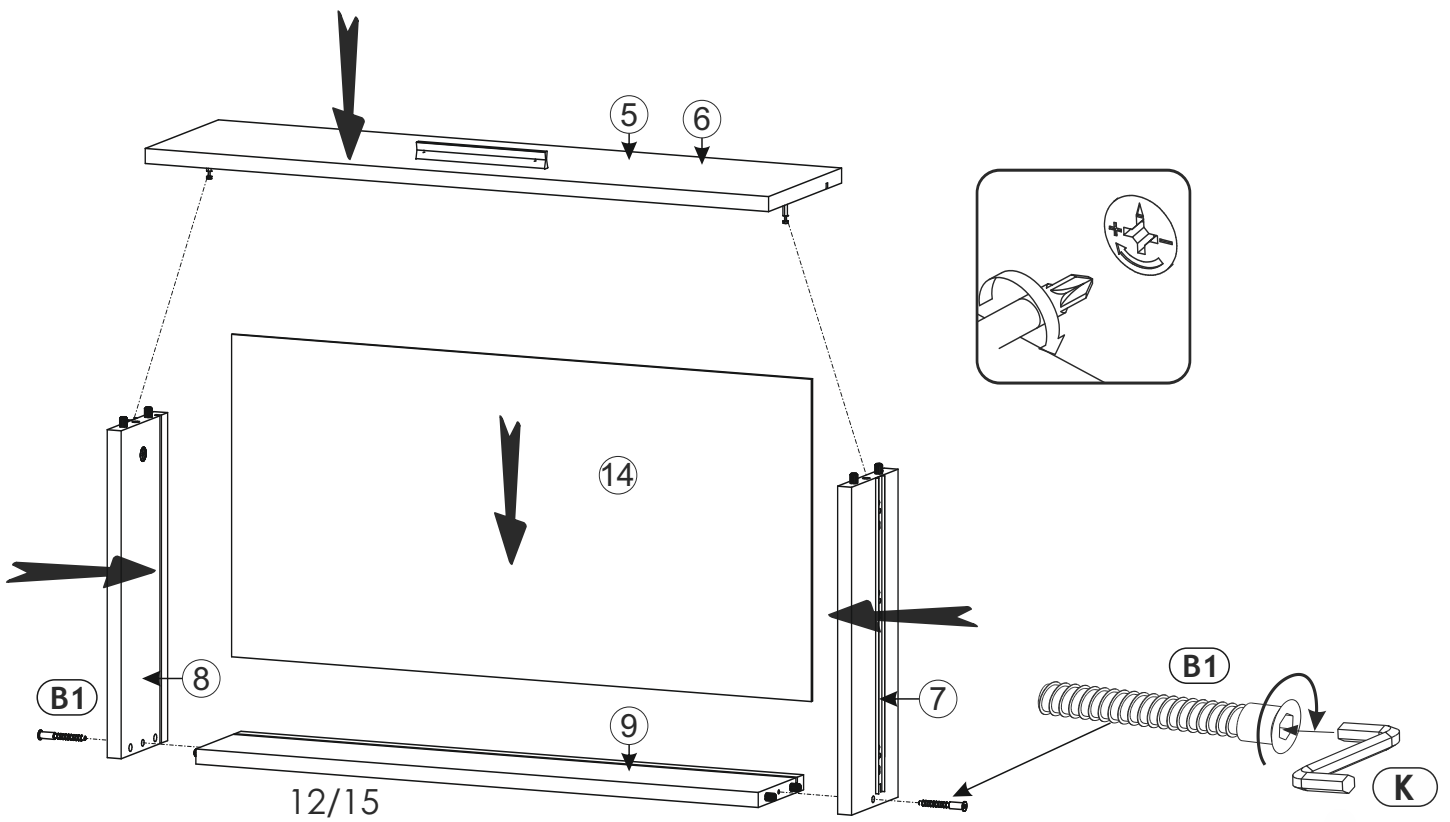
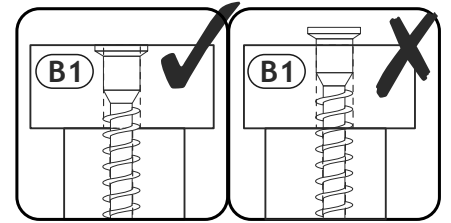
9 ▶

(D0)	3 x 15 mm	x8	(P27)		x4
-------------	-----------	-----------	--------------	---	-----------



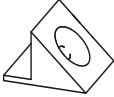
10 ▶

(B1)	6.4 x 50 mm	x4	(K)		x1
-------------	-------------	-----------	------------	--	-----------

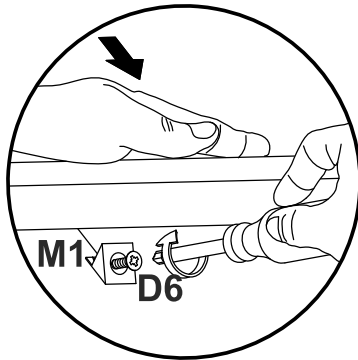
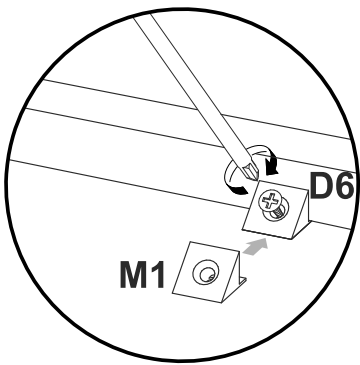
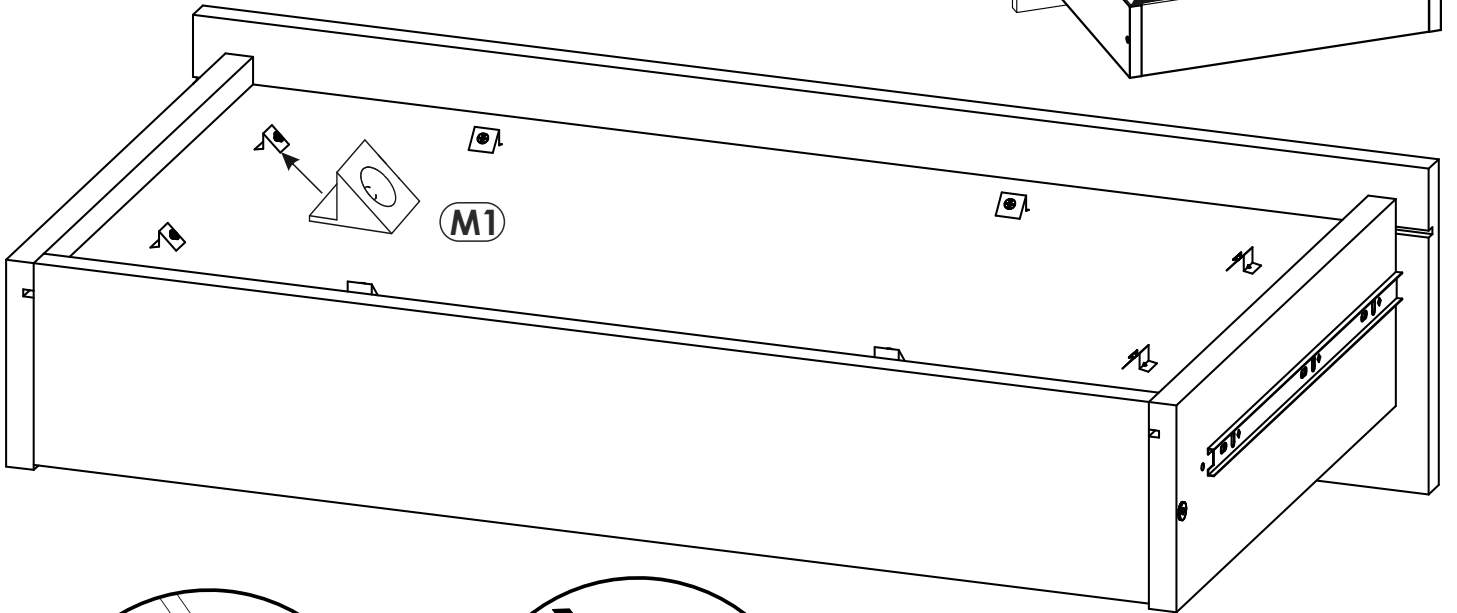
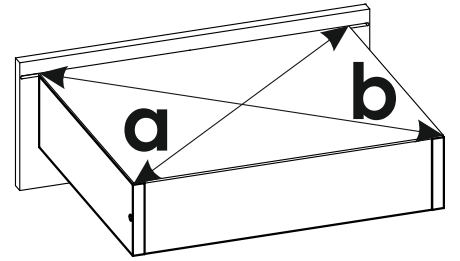


x2

11 ▶

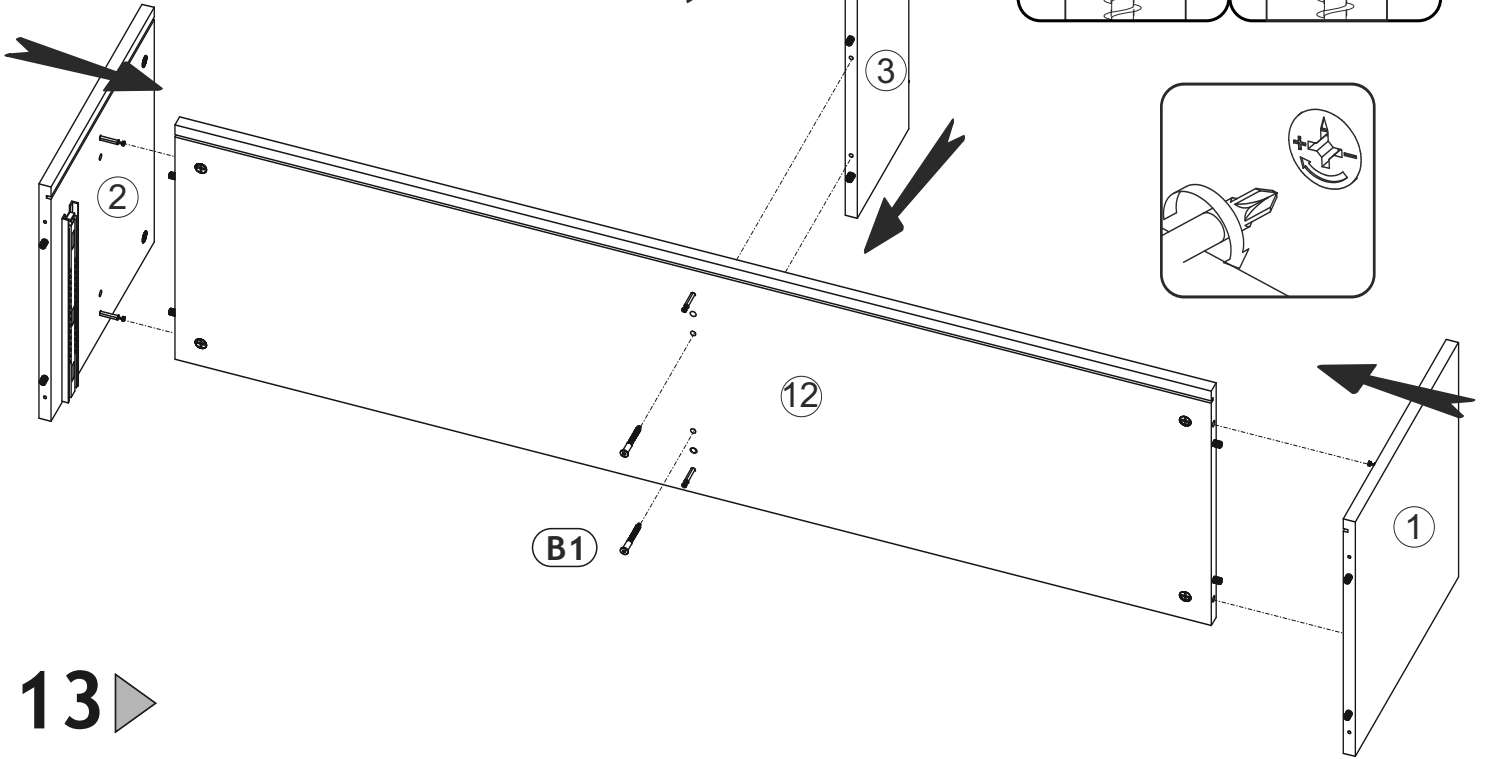
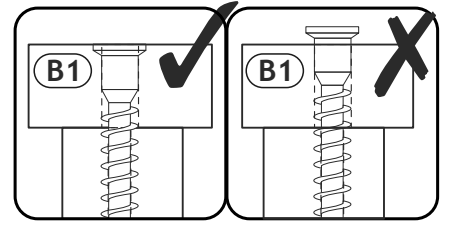
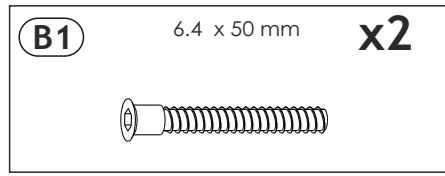
D6	3 x 20 mm	x16	M1		x16
-----------	-----------	------------	-----------	---	------------

a=b

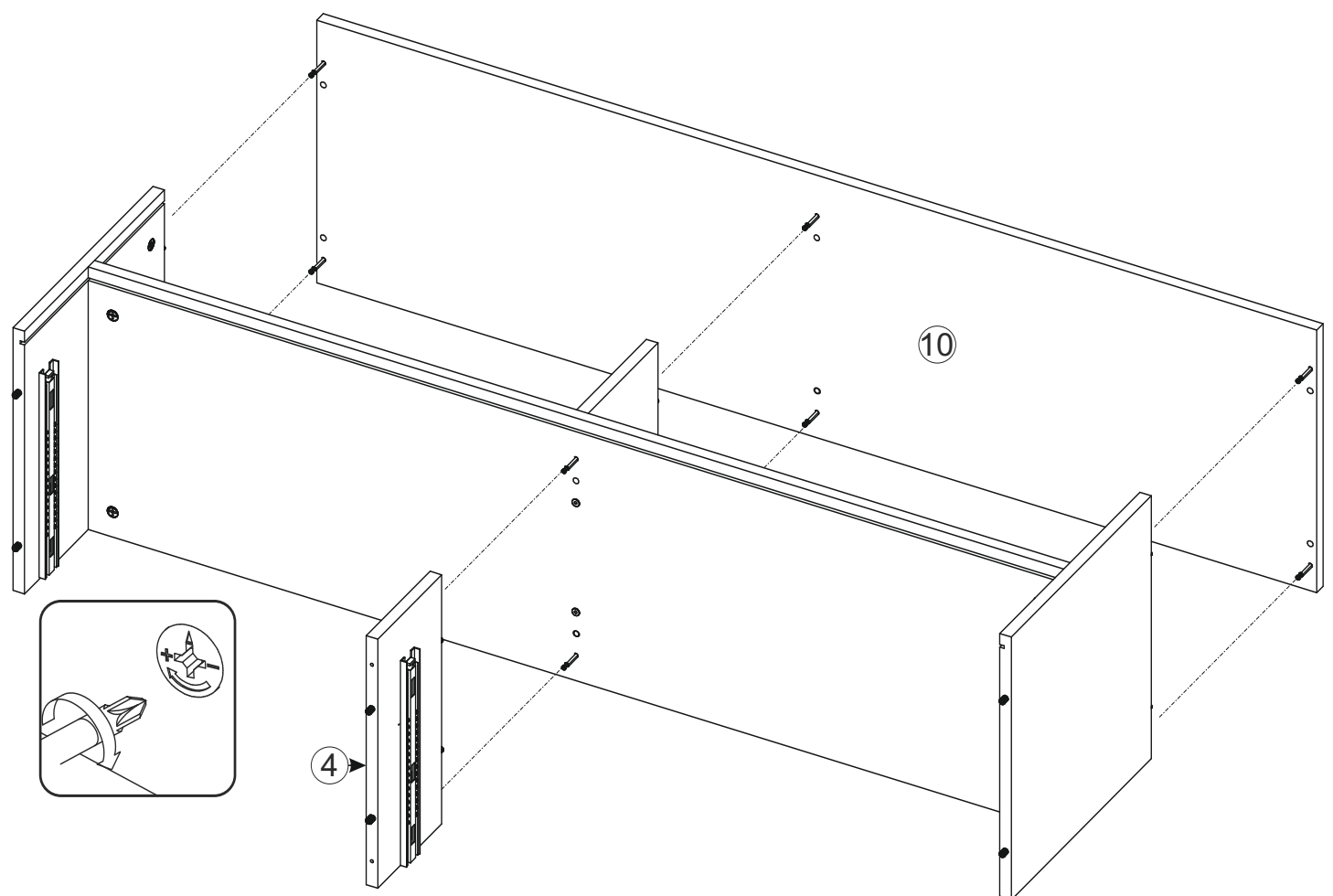


x2

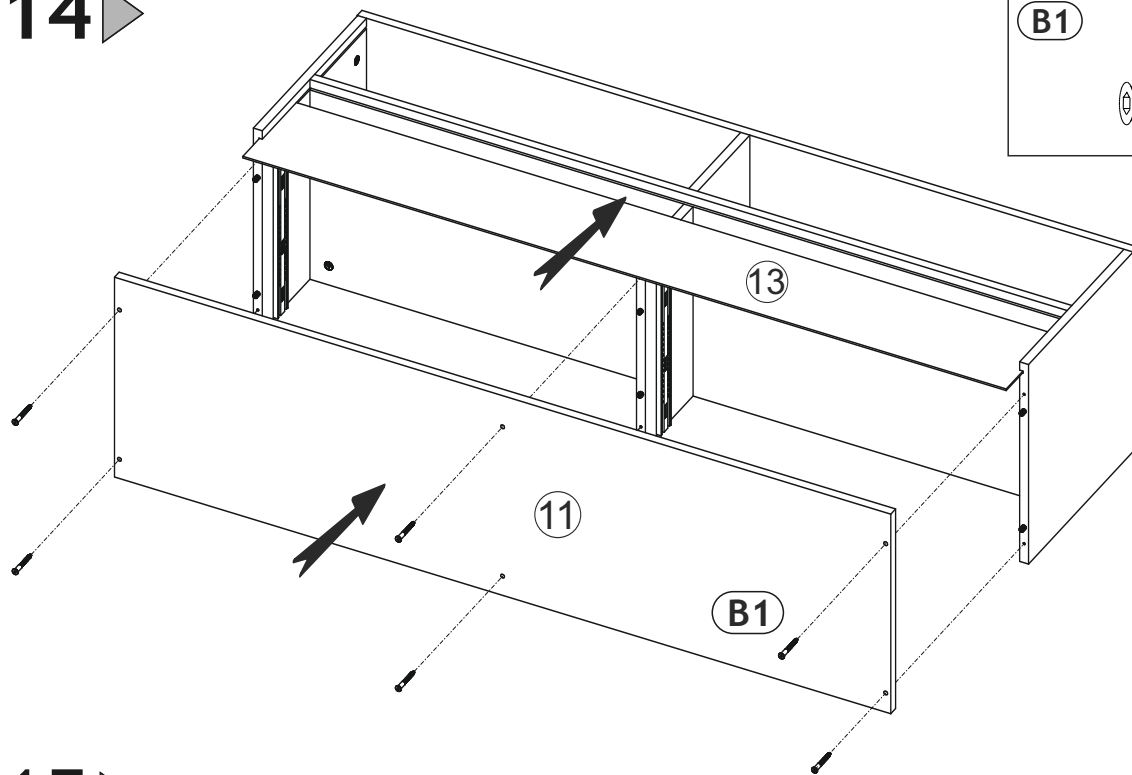
12 ▶



13 ▶

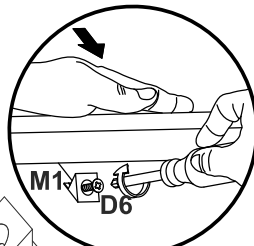
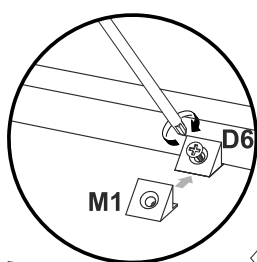
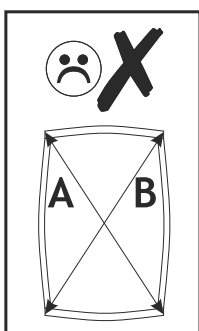
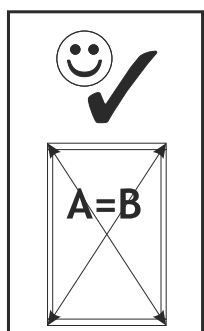


14 ▶



B1	6.4 x 50 mm	x6

15 ▶

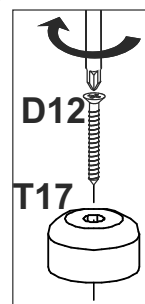
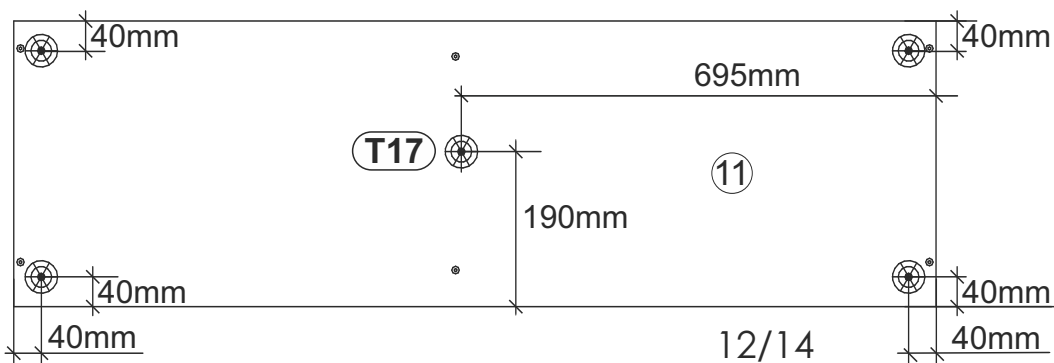
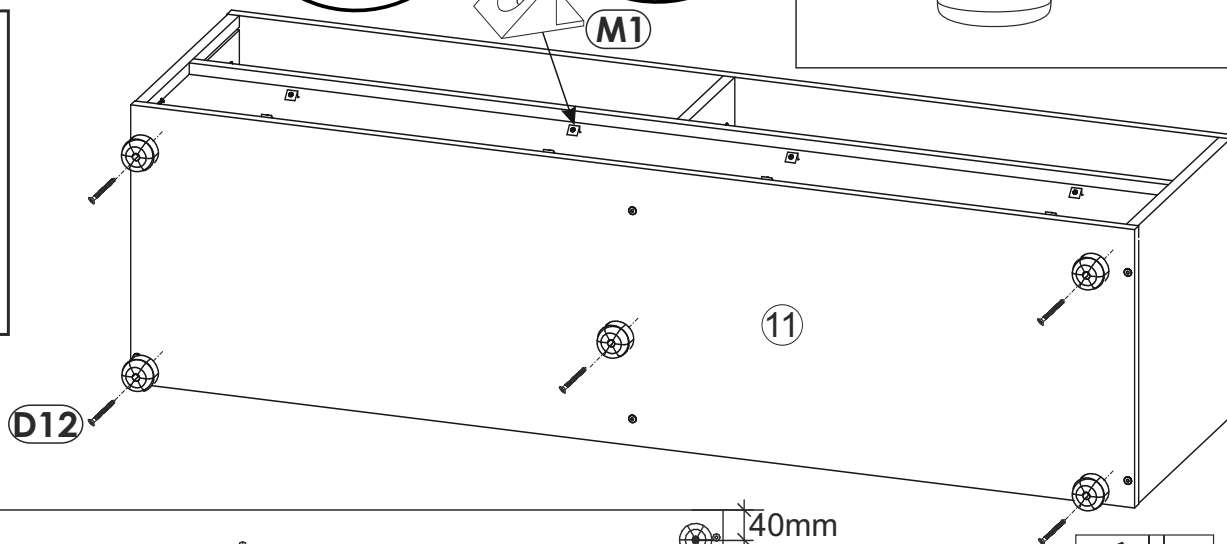
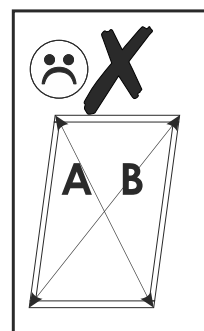


D6	3 x 20 mm	x8

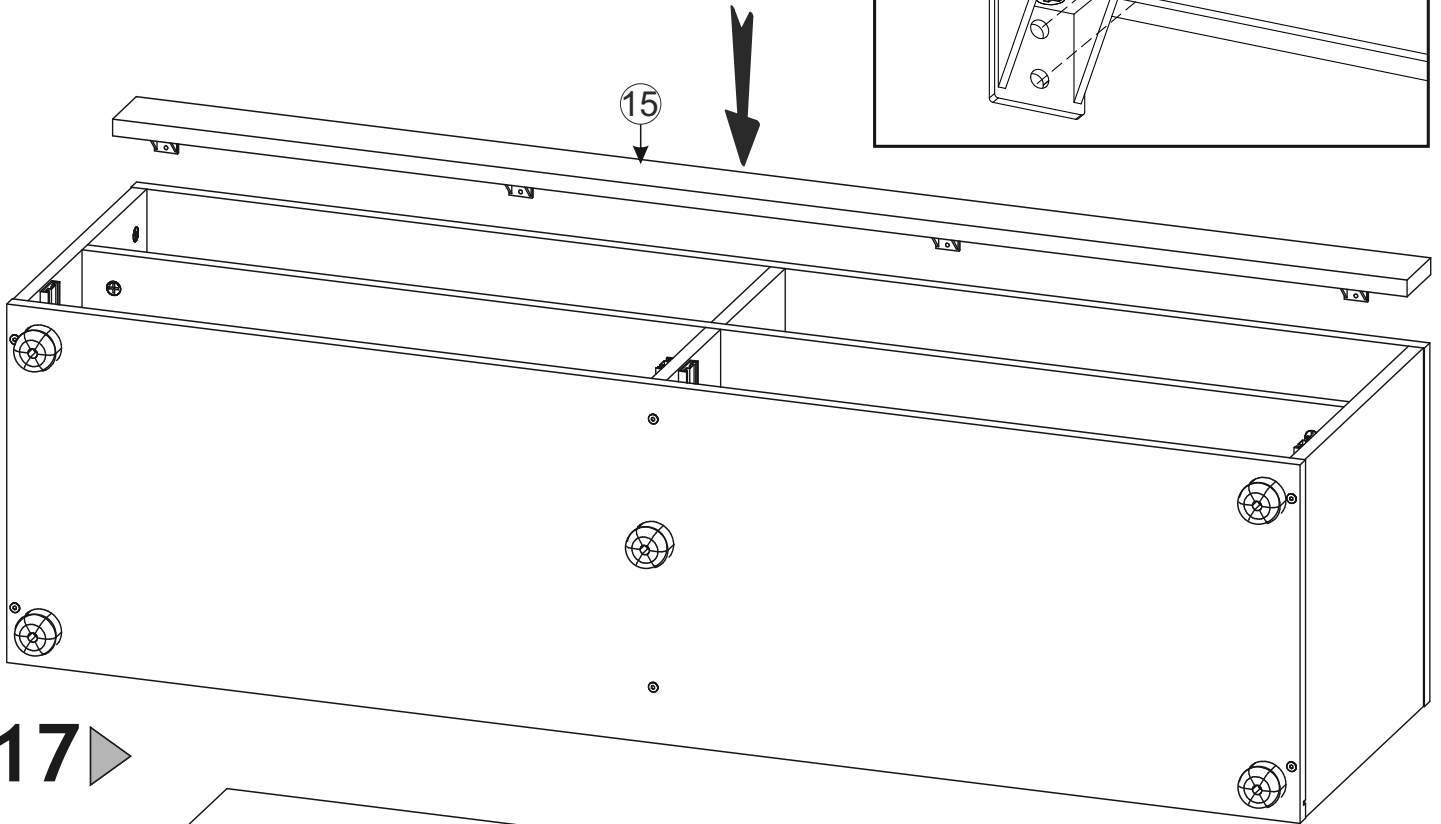
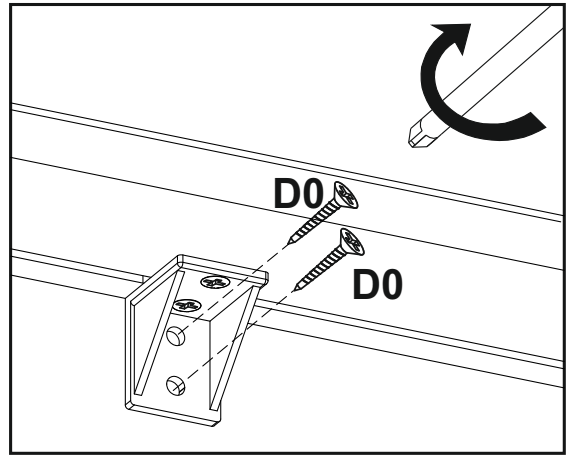
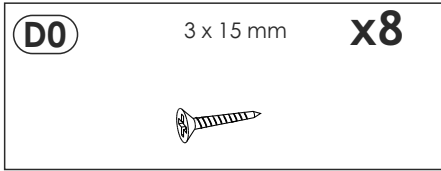
D12	4 x 25 mm	x5

M1		x8

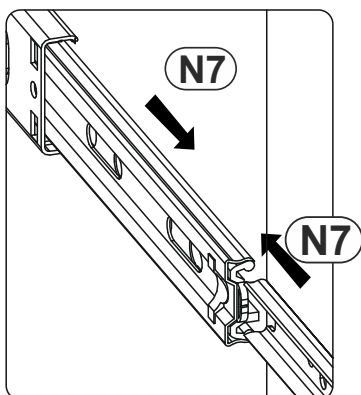
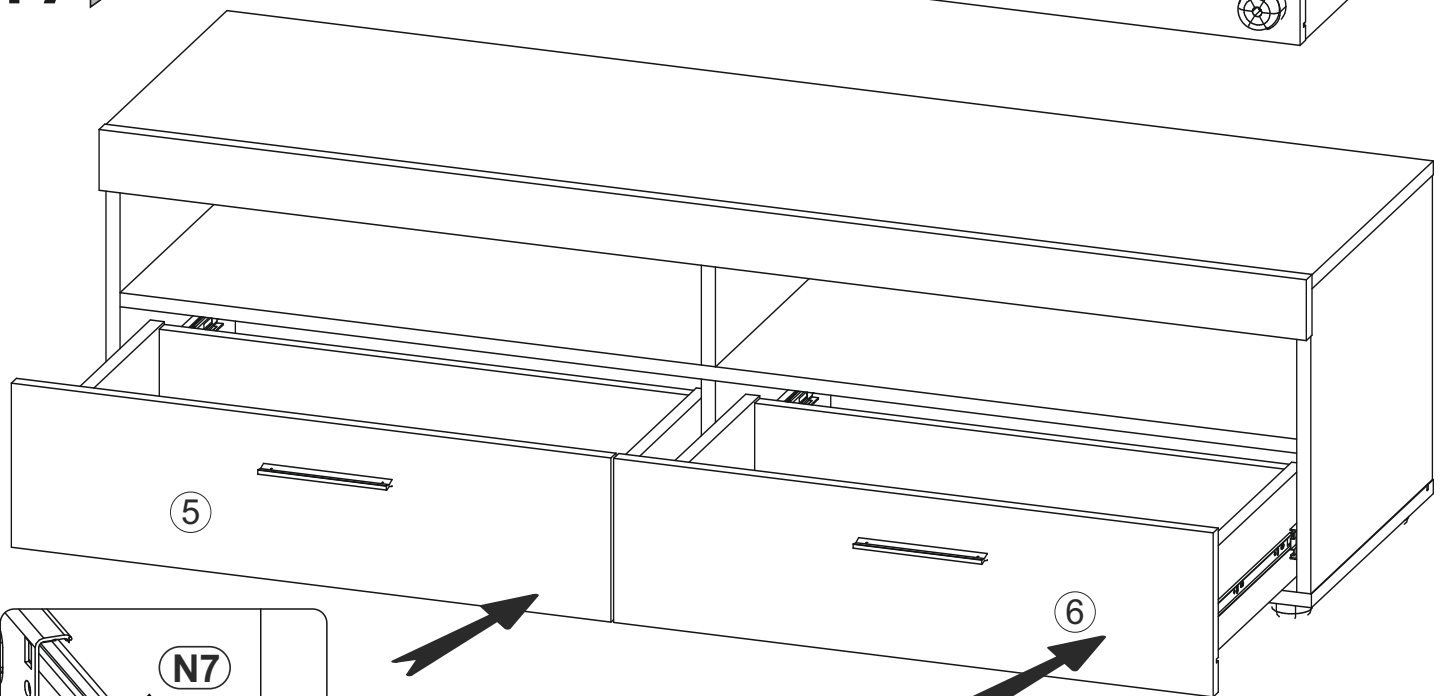
T17		x5



16 ▶



17 ▶



18 ▶

