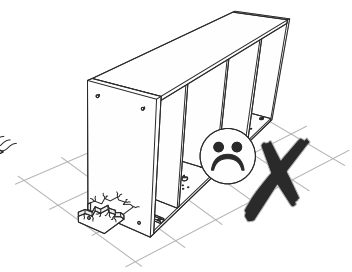
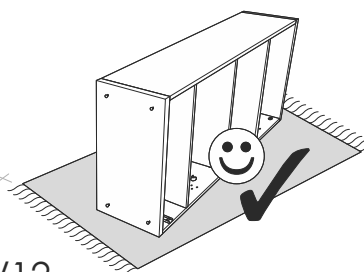
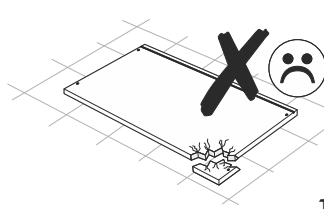
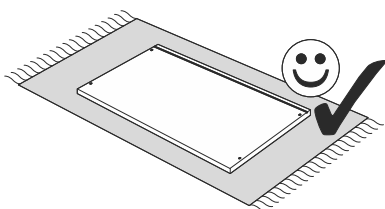
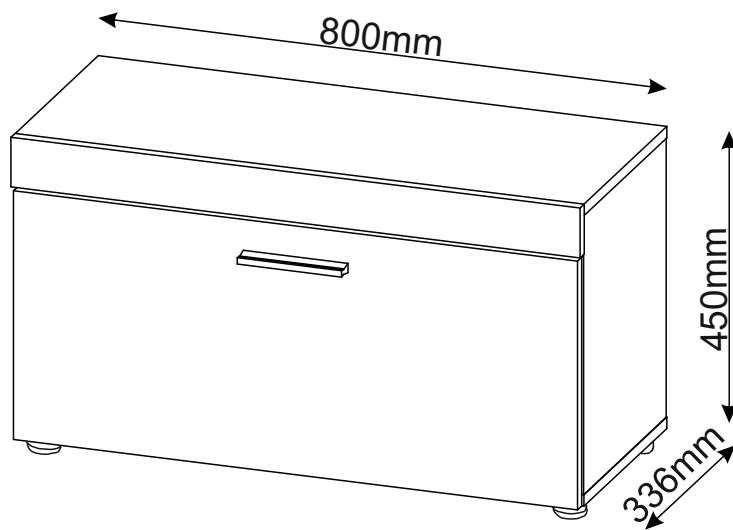
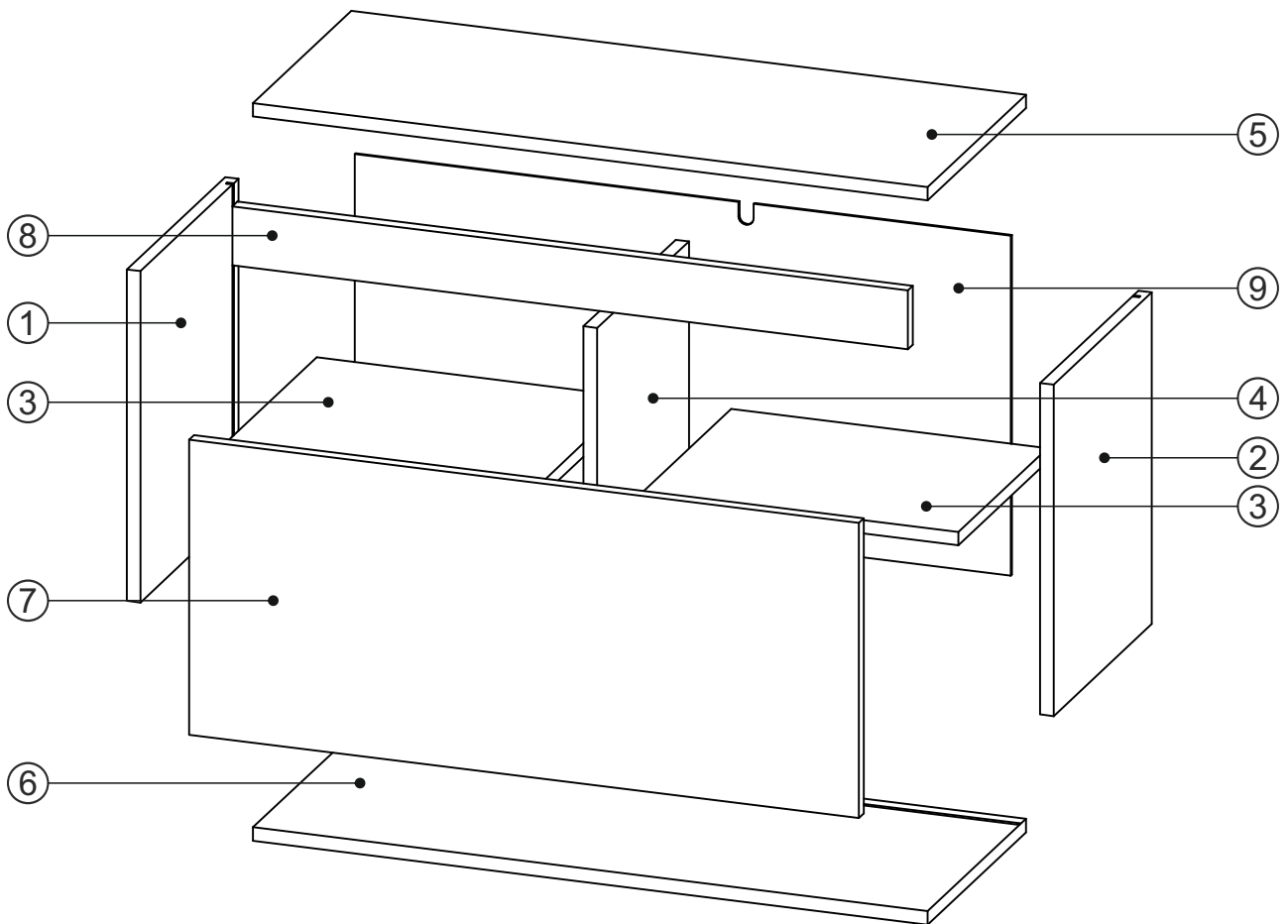


Ø8


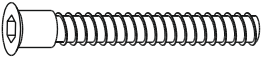






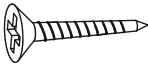
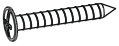


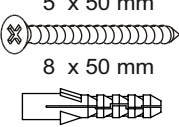
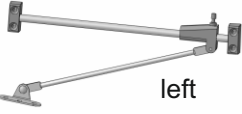
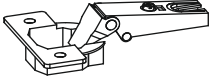
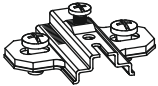
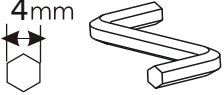
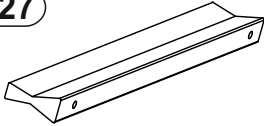
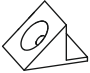
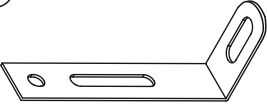
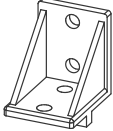
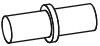
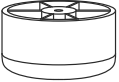



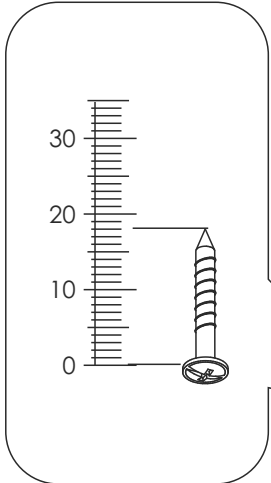
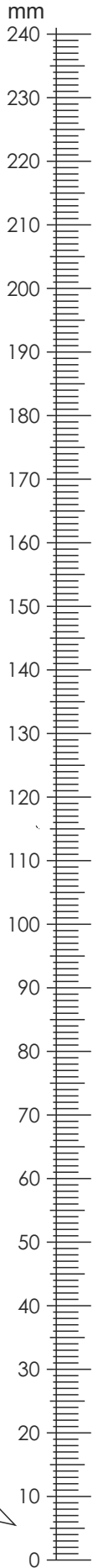


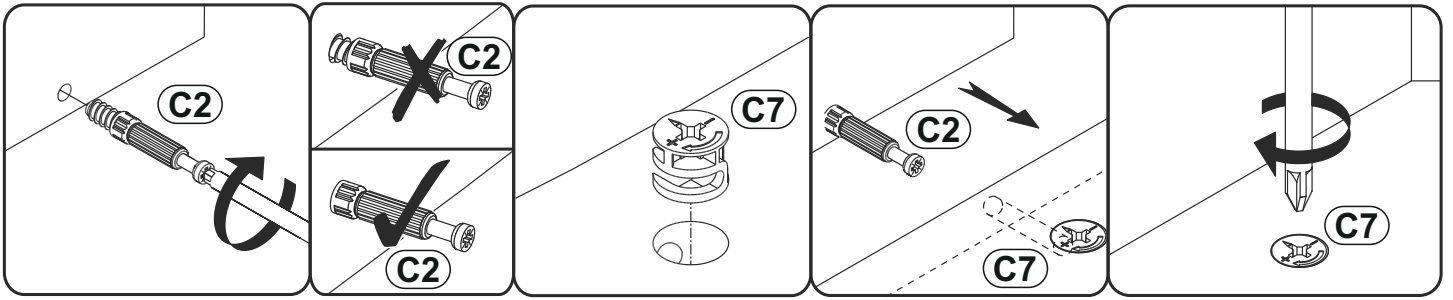
1	393	320	16	x1	1/1
2	393	320	16	x1	1/1
3	375	290	16	x2	1/1
4	393	300	16	x1	1/1
5	800	320	16	x1	1/1
6	800	320	16	x1	1/1
7	794	350	16	x1	1/1
8	801	70	18	x1	1/1
9	403	778	2.8	x1	1/1
10					1/1



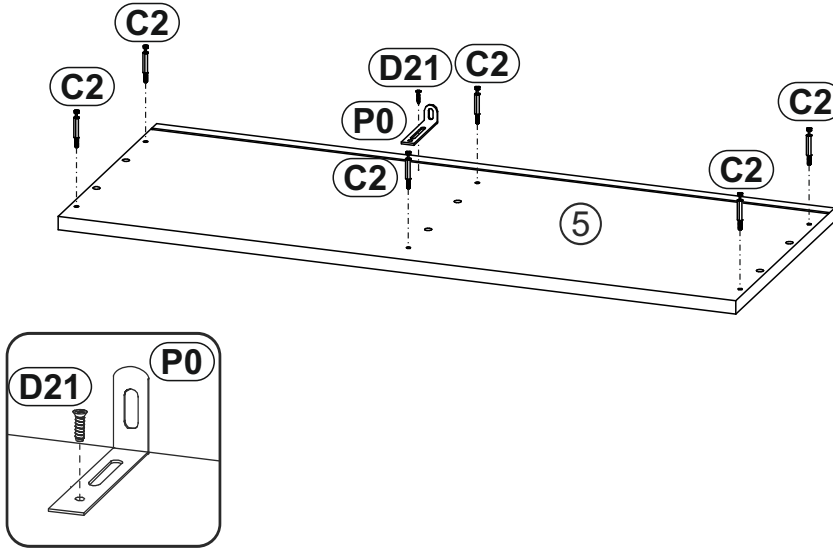


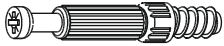


A0 8 x 30mm x12 	B1 7 x 50 mm x6 	C0 x6 
C2 x6 	C7 16mm x6 	D0 3 x 15 mm x15 
D1 3 x 25 mm x4 	D5 3,5 x 16 mm x4 	D6 3 x 20 mm x6 
D7 3,5 x 27 mm x2 	D12 4 x 25 mm x5 	D21 5 x 13 mm x1 
E0 5 x 50 mm 8 x 50 mm x1 	F2 x1 left 	J8 x2 
J27 x2 	K 4mm x1 	L27 x1 
M1 x6 	P0 x1 	P27 x3 
Q0 x8 	T17 x5 	U0 x2 



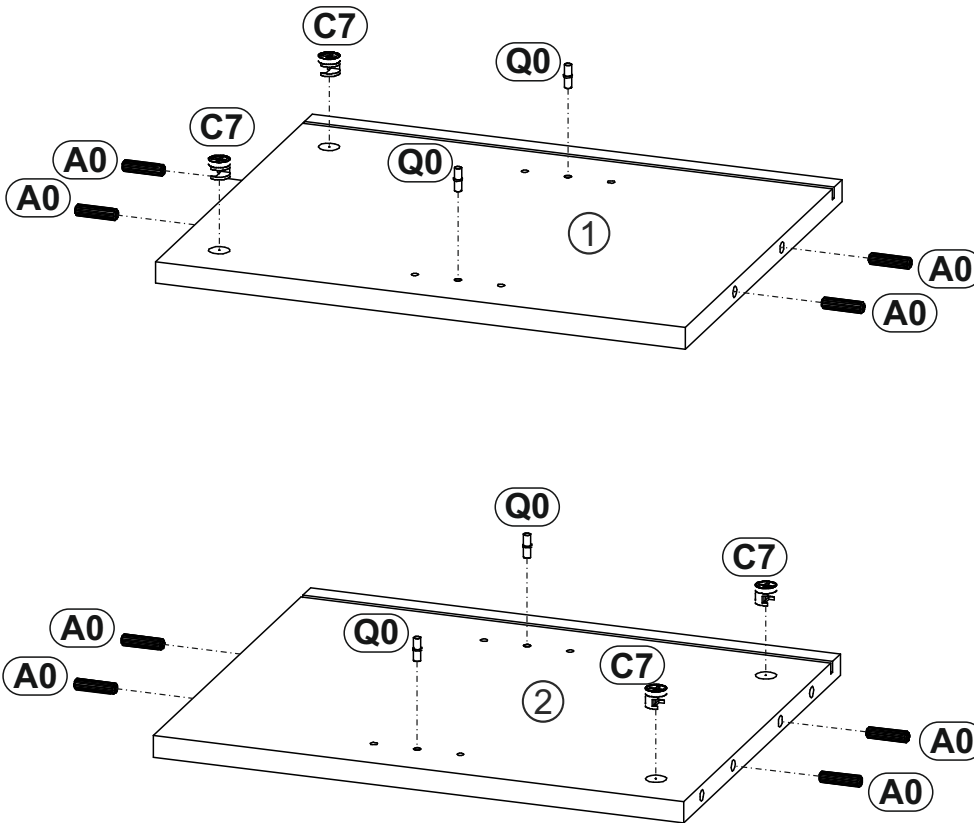



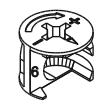

1 ▶

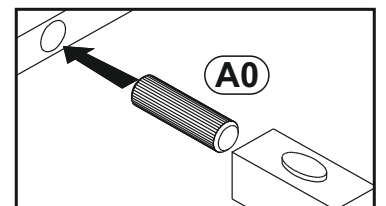
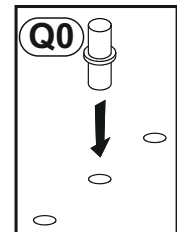


C2	x6
	
D21	x1
5 x 13 mm	
	
P0	x1
	

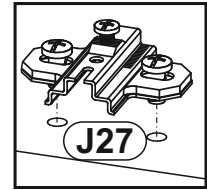
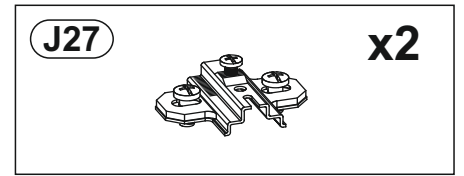
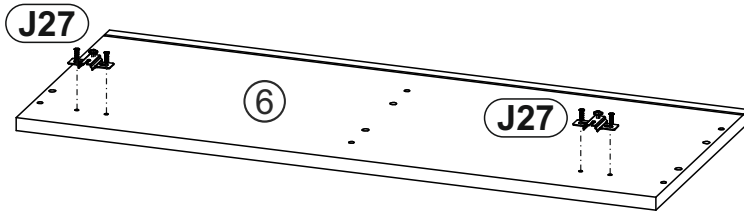
2 ▶



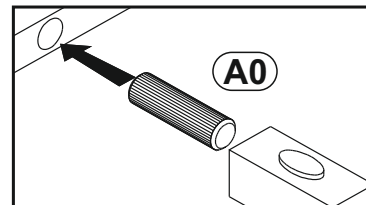
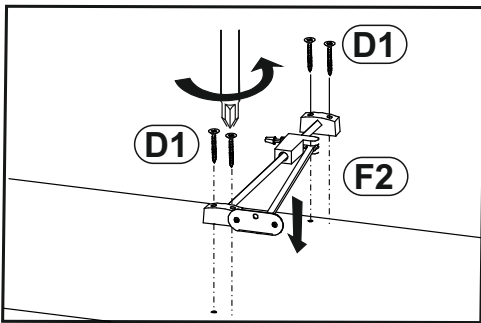
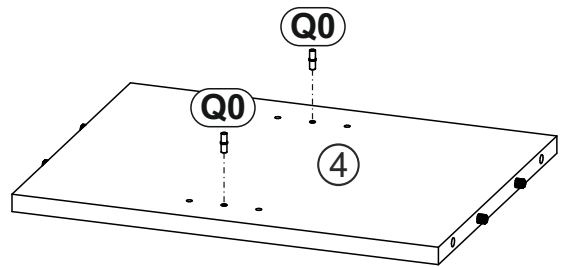
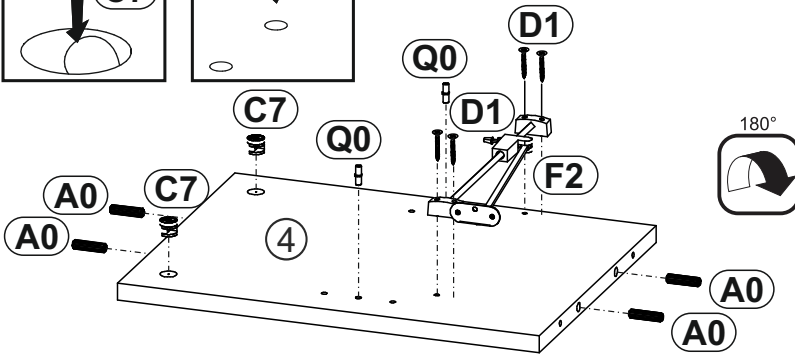
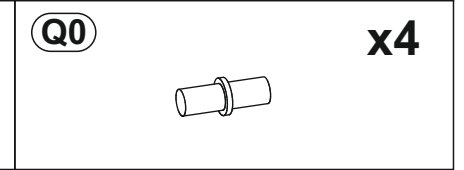
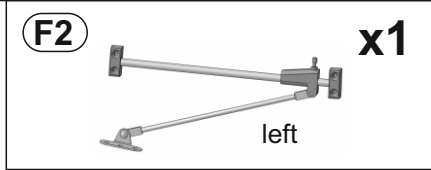
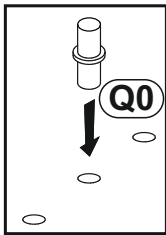
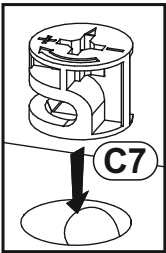
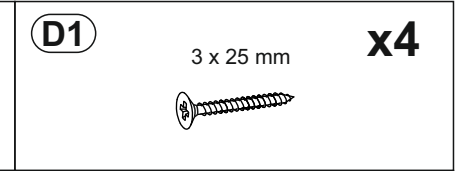
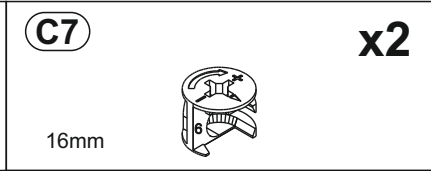
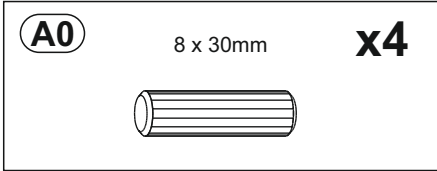
A0	8 x 30mm	x8
		
C7		x4
16mm		
Q0		x4
		



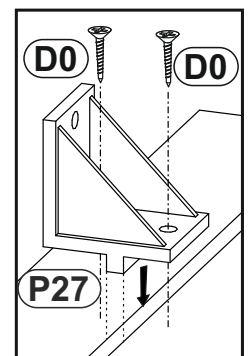
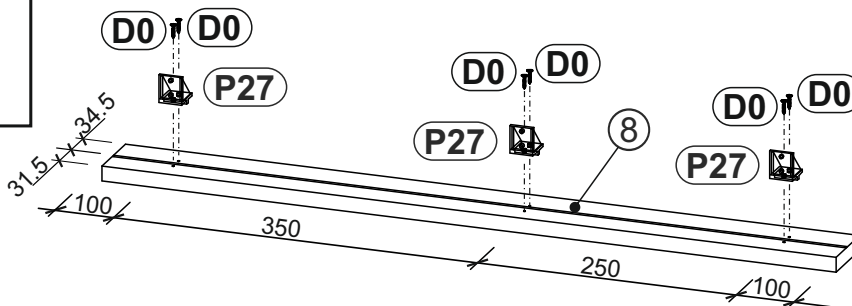
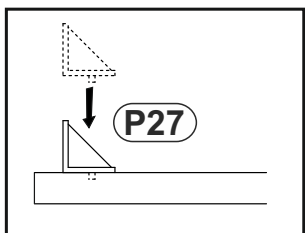
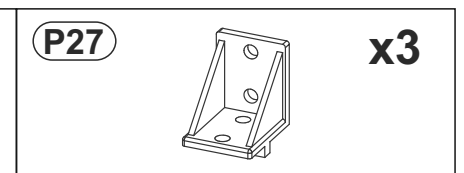
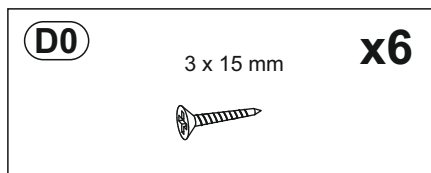
3 ▶




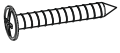
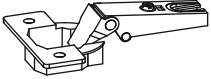
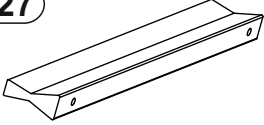

4 ▶

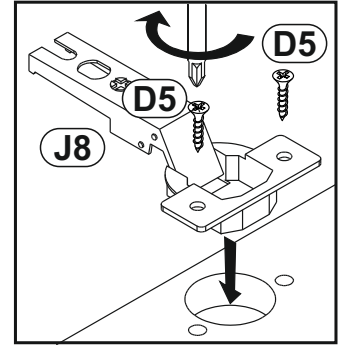
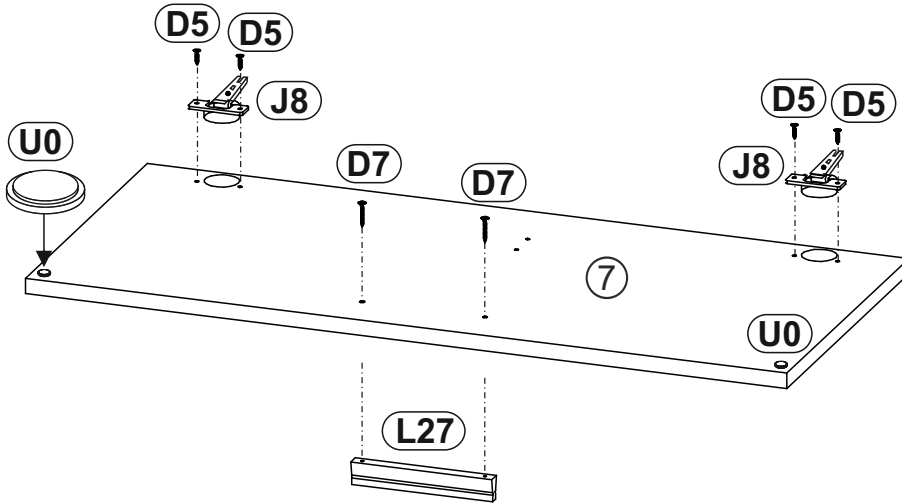


5 ▶

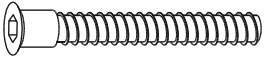
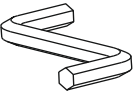


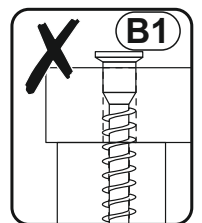
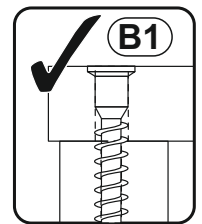
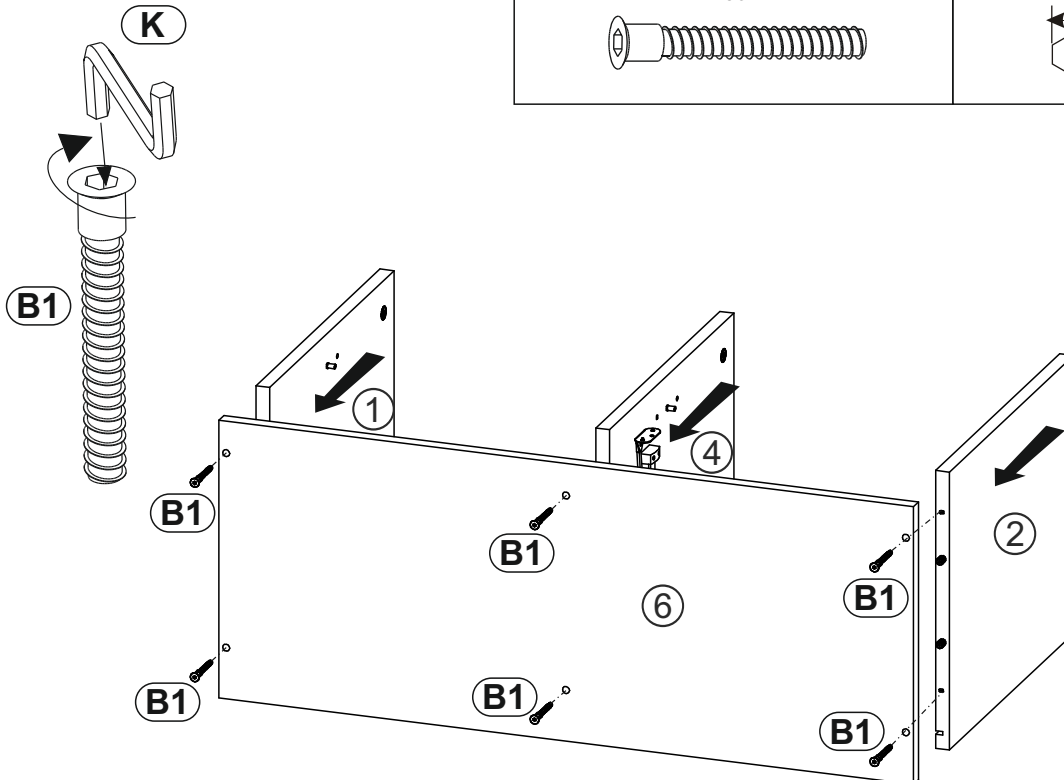
6 ▶

D5 3,5 x 16 mm 	x4	D7 3,5 x 27 mm 	x2	J8 	x2
		L27 	x1	U0 	x2

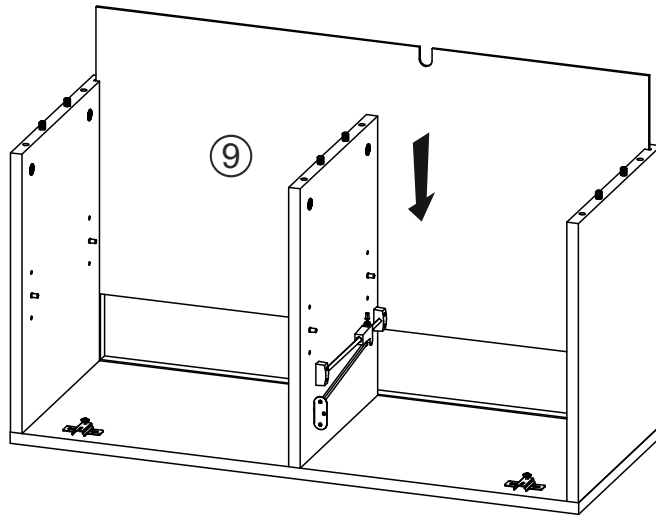


7 ▶

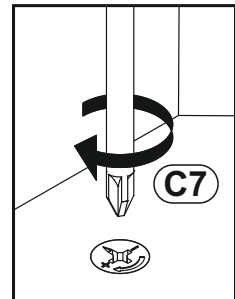
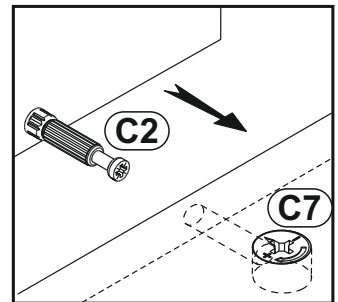
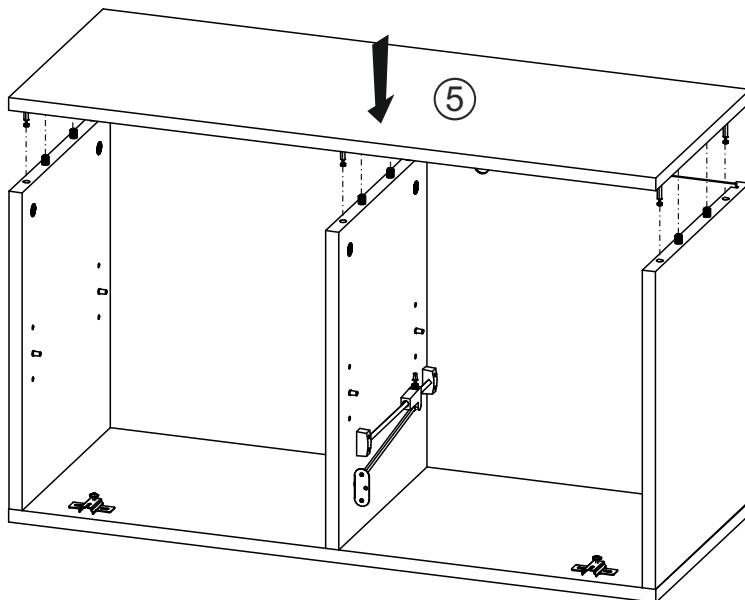
B1 7 x 50 mm 	x6	K 4mm 	x1
---	-----------	--	-----------



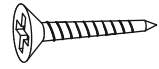
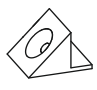
8 ▶

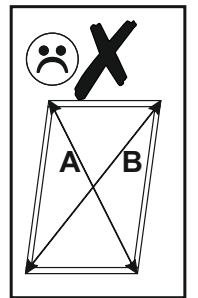
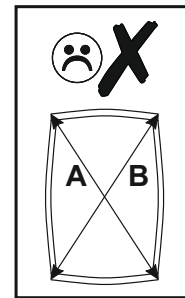
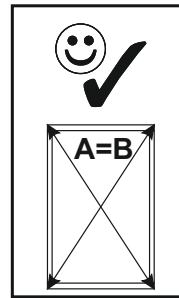
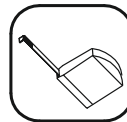
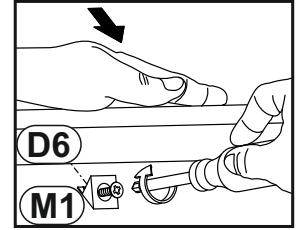
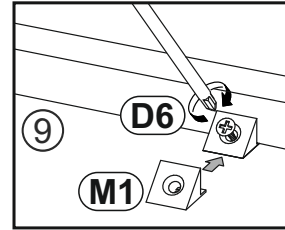
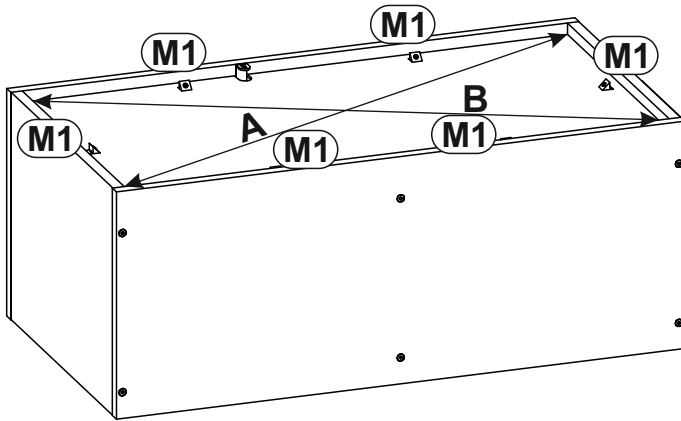


9 ▶


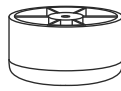


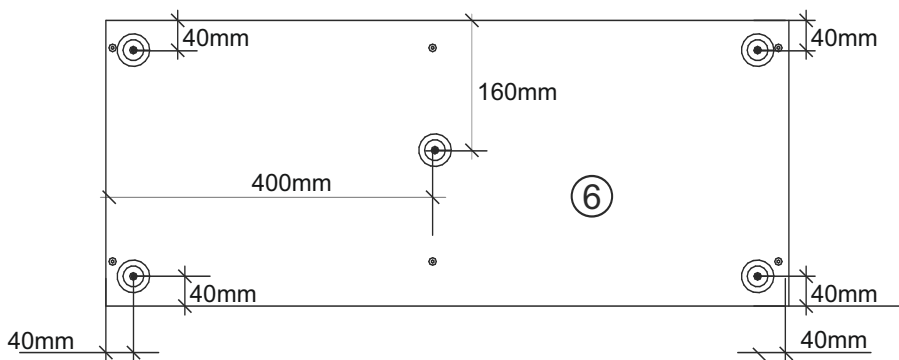
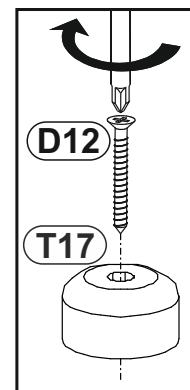
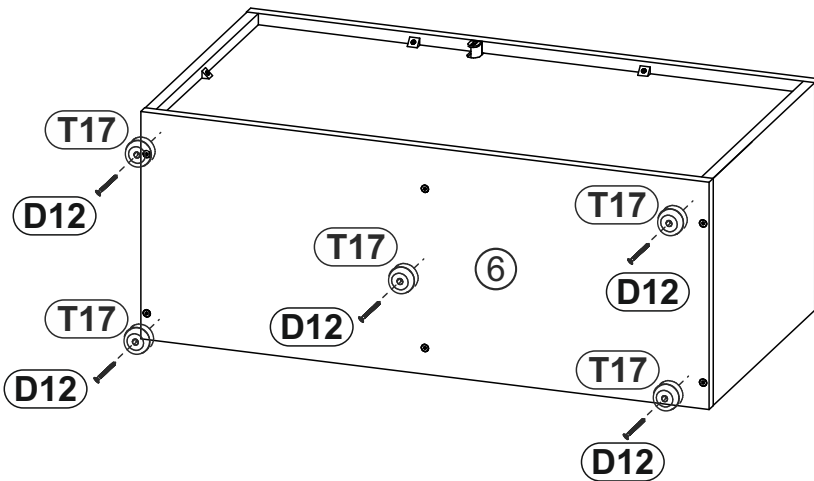
10 ▶

D6 3 x 20 mm 	M1 
---	--

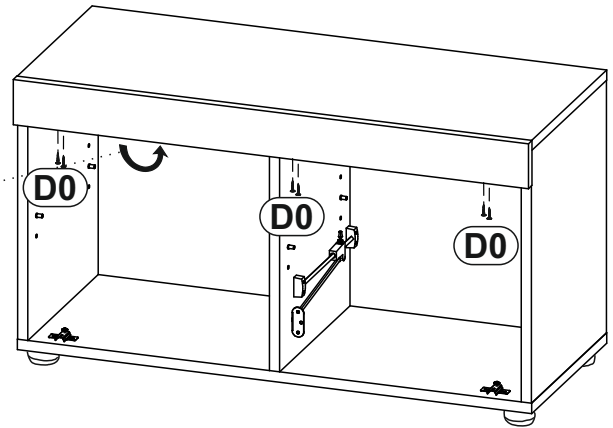
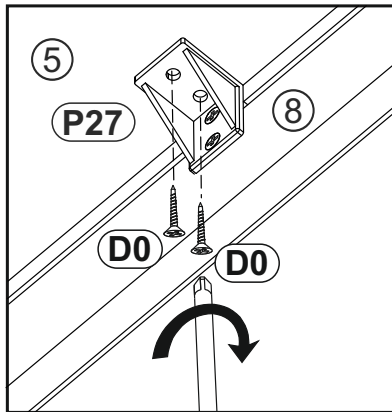
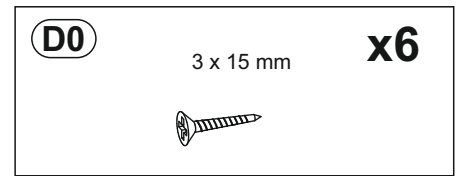
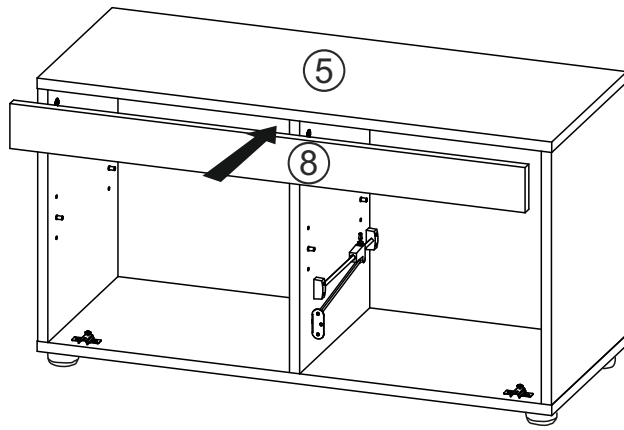


11 ▶

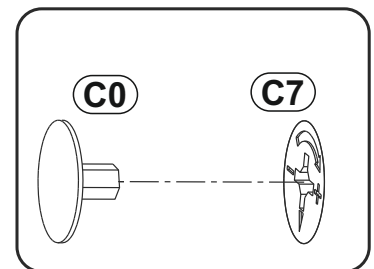
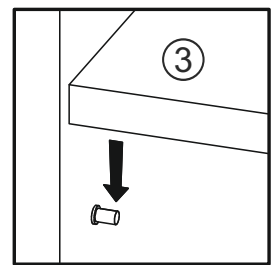
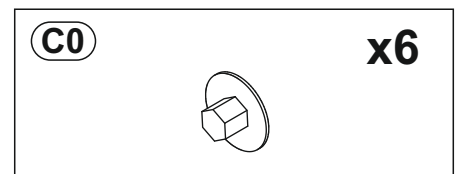
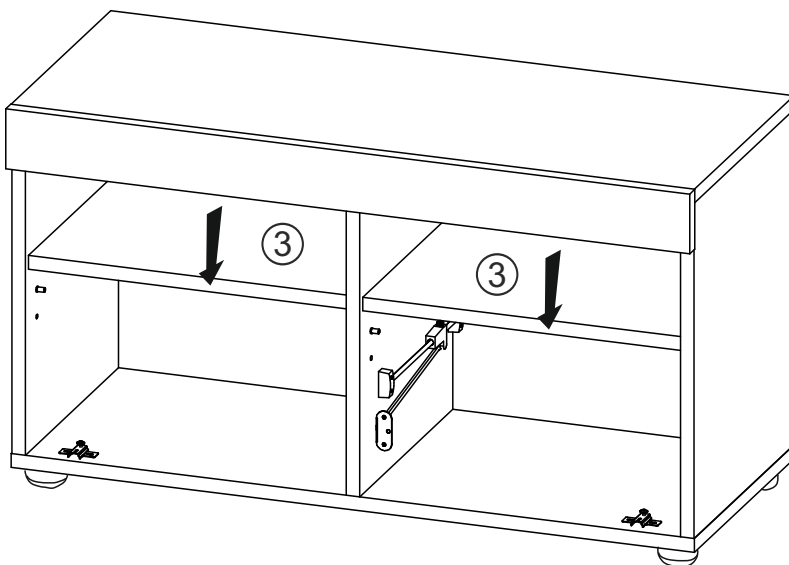
D12 4 x 25 mm 	T17 
--	---

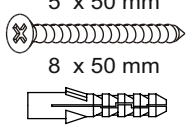


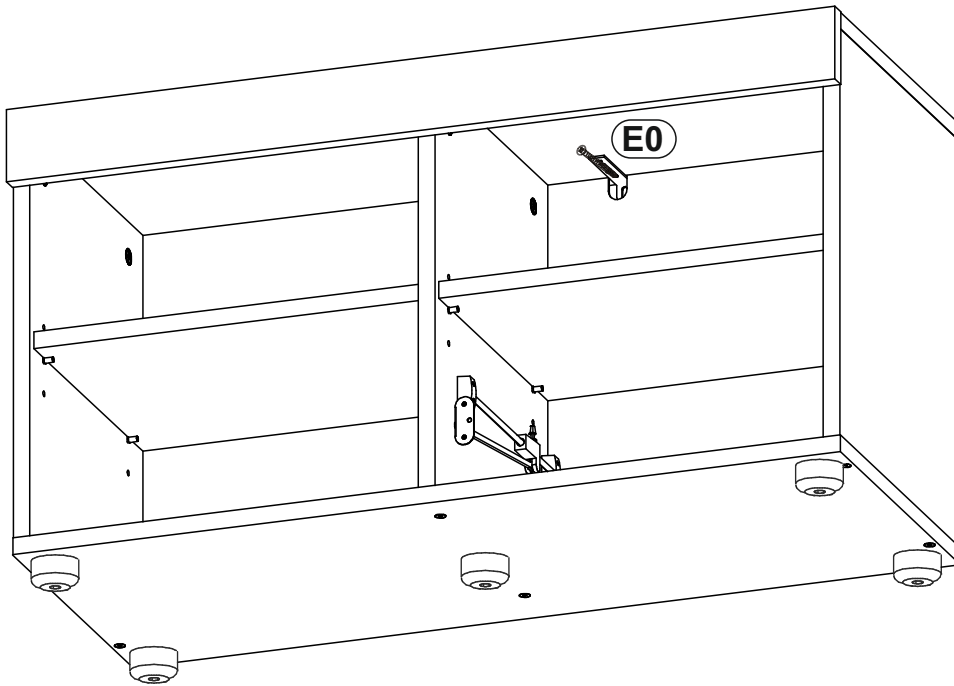
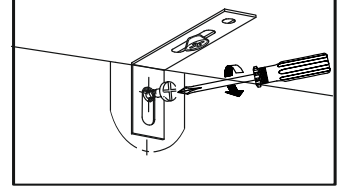
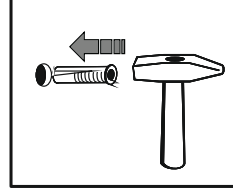
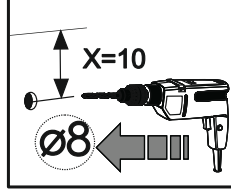
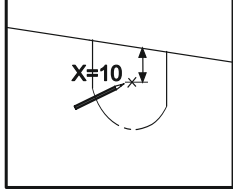
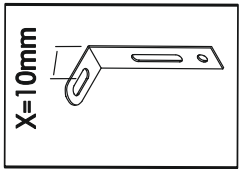
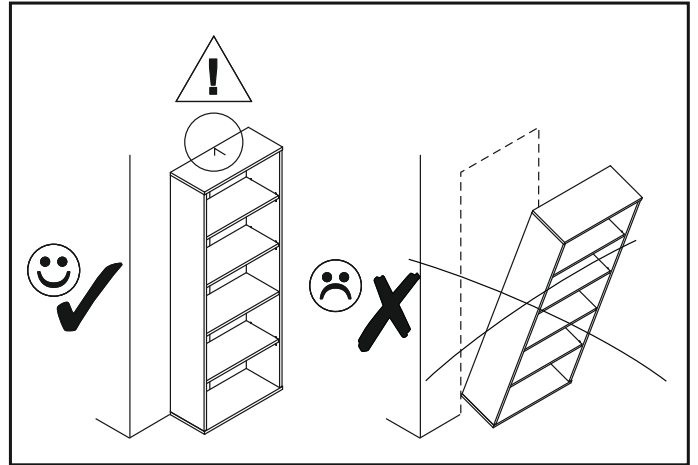
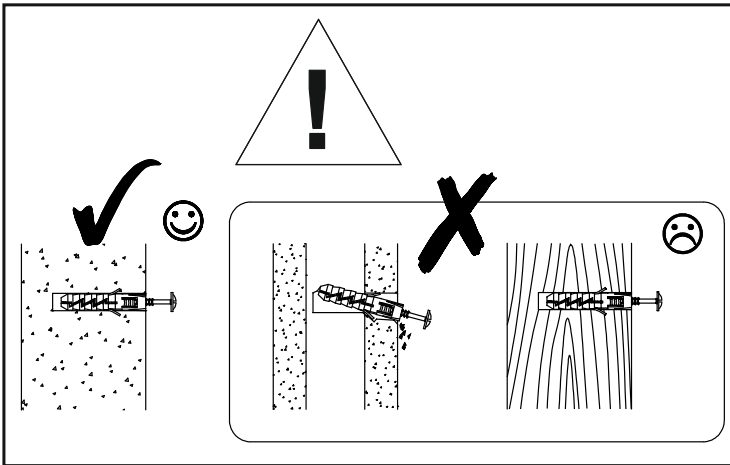
12 ▶



13 ▶



E0 5 x 50 mm **x1**
8 x 50 mm




D0 3 x 15 mm **x3**

