
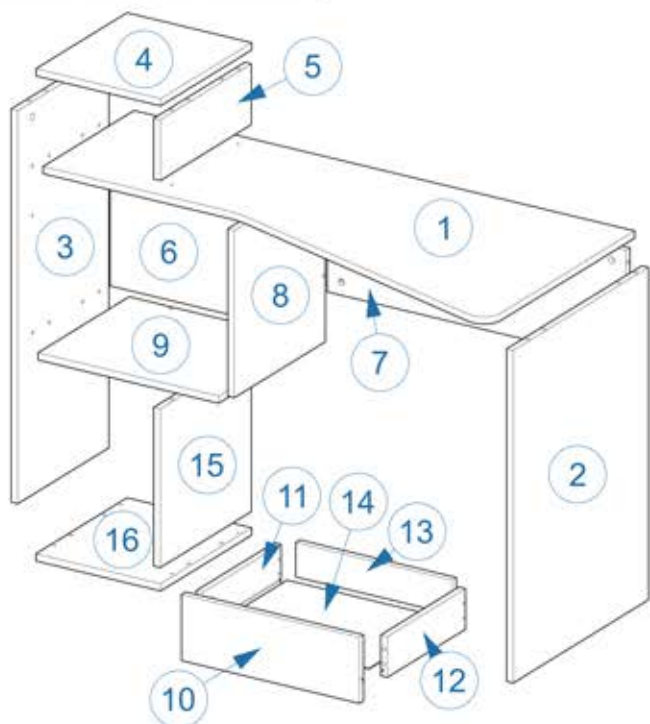
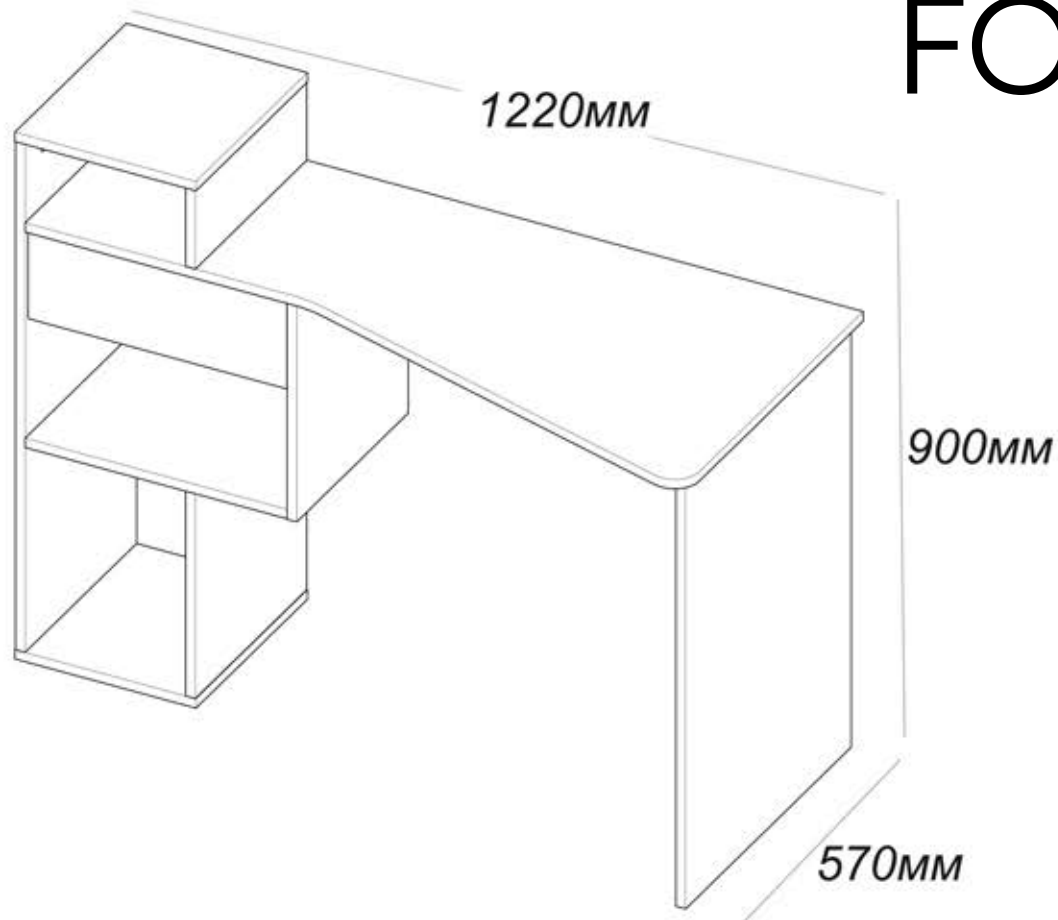












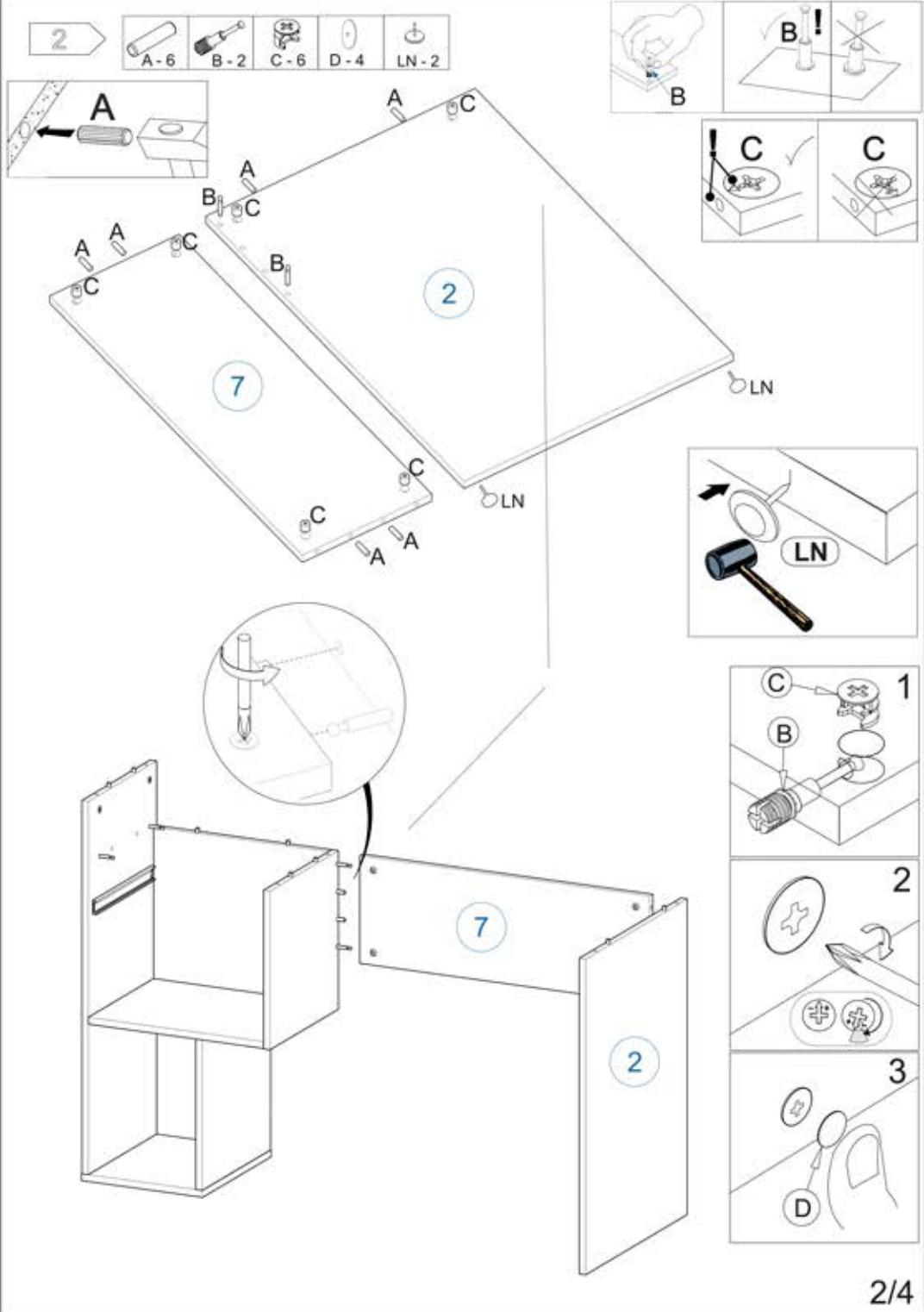
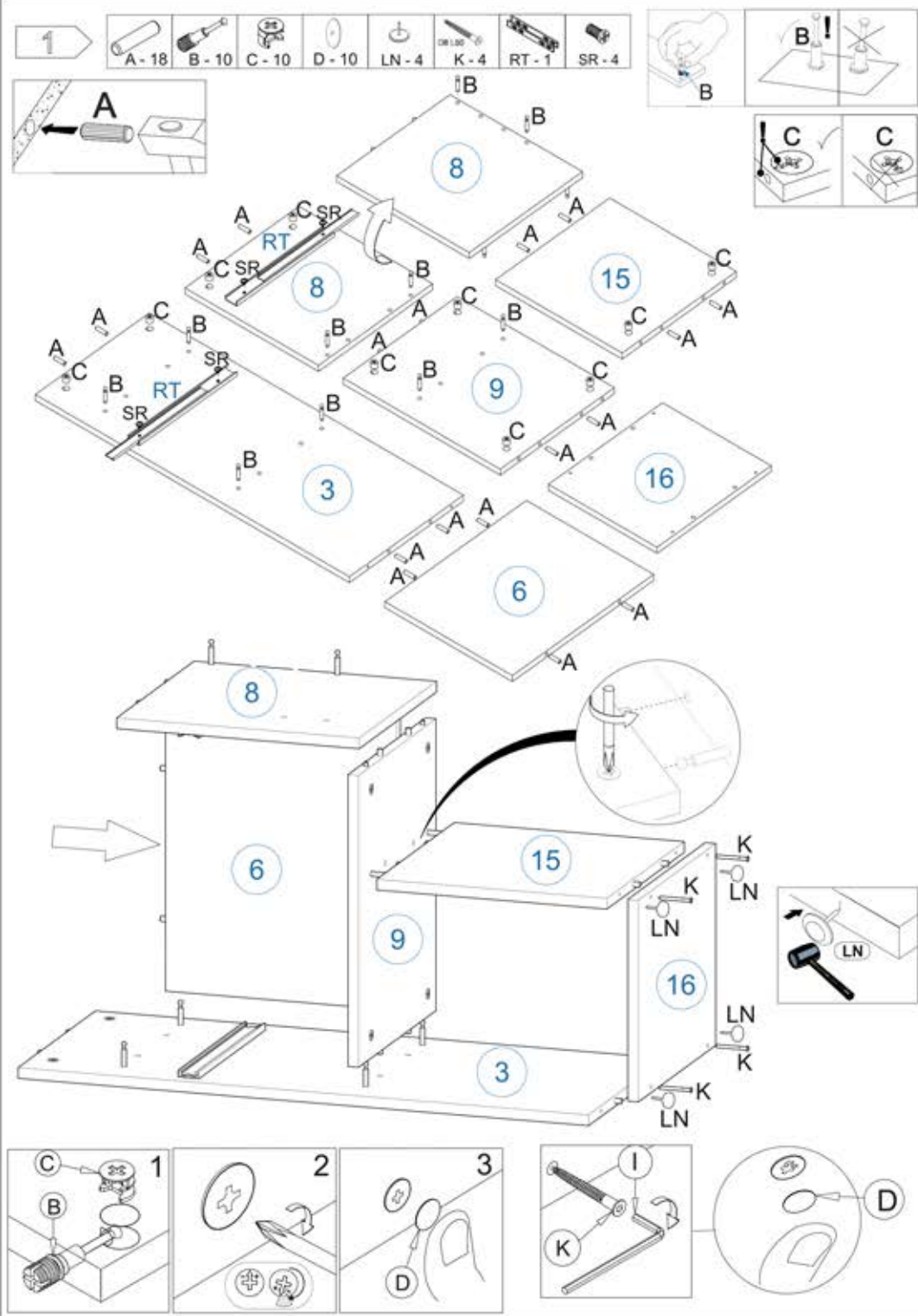


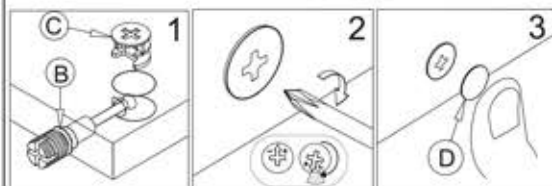
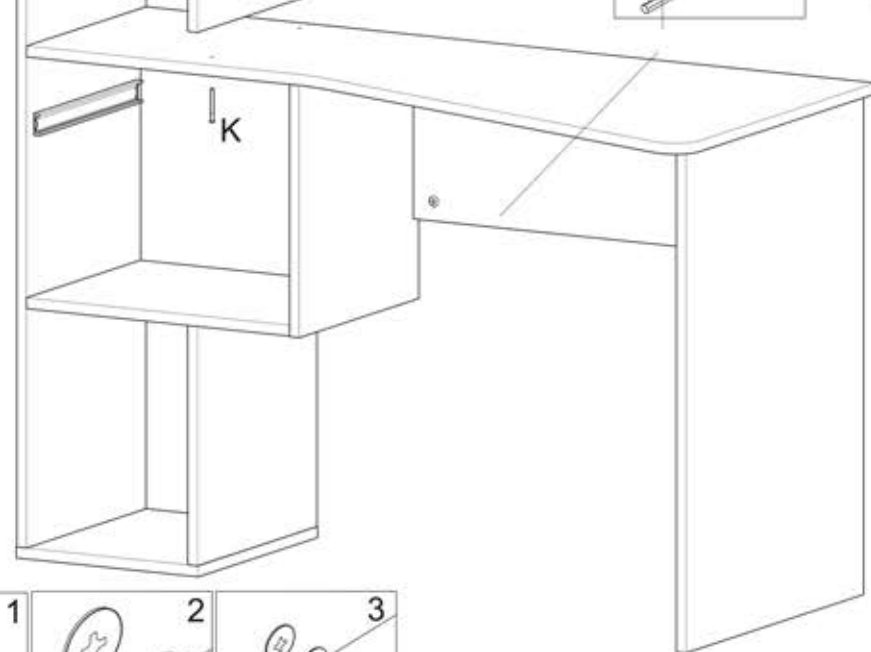
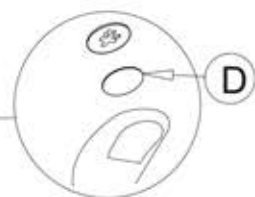
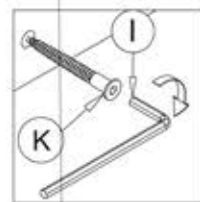
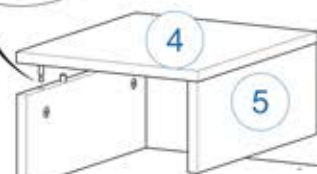
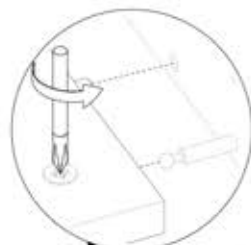
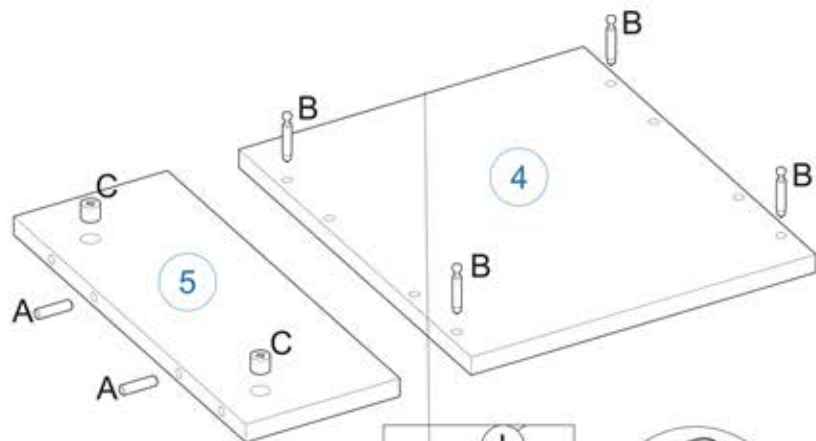
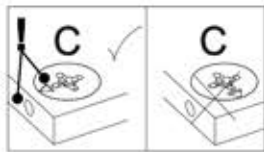
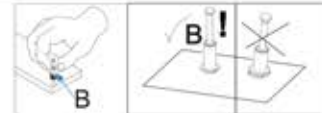
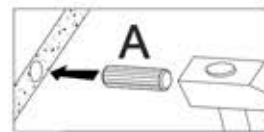
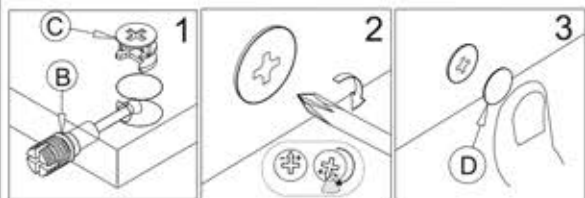
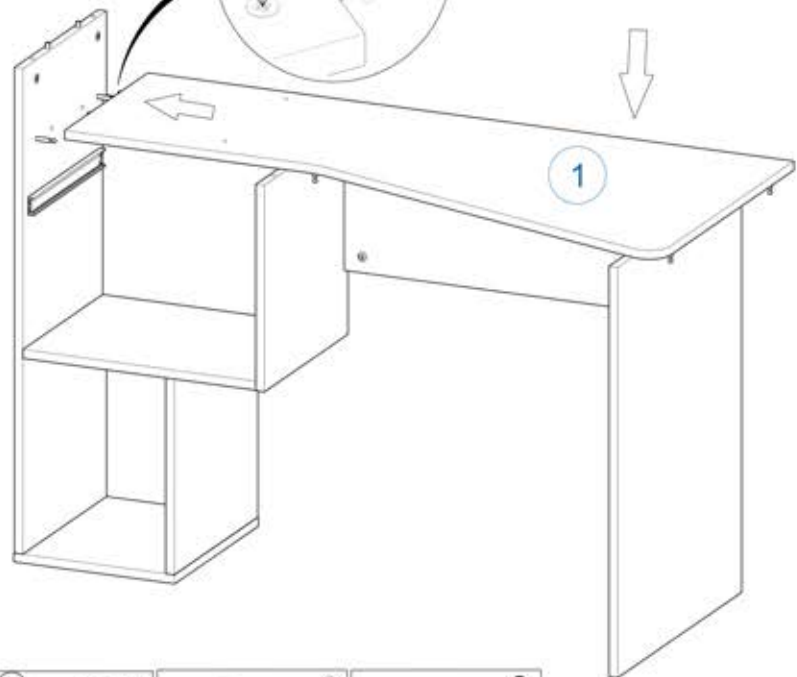
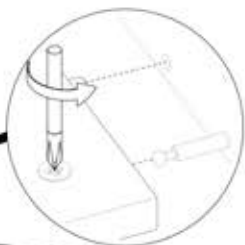
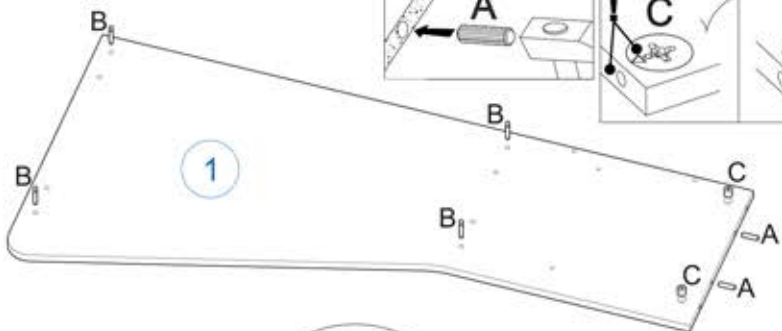
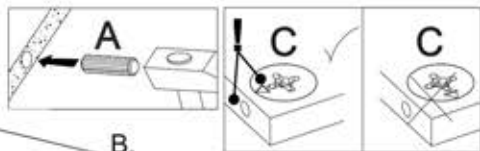
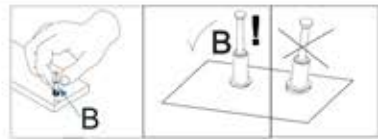
FONTY

	A	B	X	N ₂
1/2				
2/2	1204	570	1	1
	734	520	1	2
	868	350	1	3
	300	350	1	4
	134	350	1	5
	352	434	1	6
	718	250	1	7
	369	350	1	8
	434	350	1	9
	428	146	1	10
	300	90	1	11
	300	90	1	12
	434	350	1	13
	388	306	1	14
	350	350	1	15
300	350	1	16	



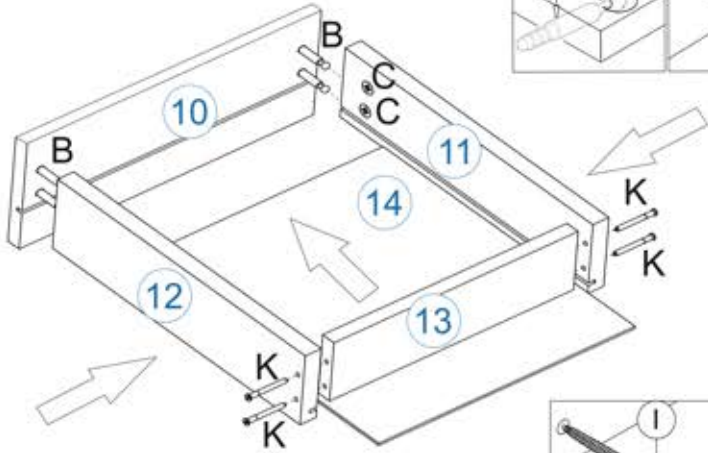
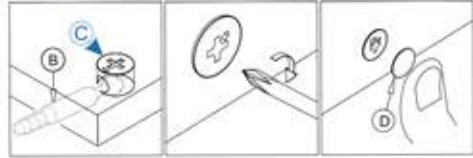
					
A - 28	B - 24	C - 24	D - 34	LN - 6	I - 1
 300MM	 D6 L8	 3,5x16	 3,5x20		 D8 L50
RT - 1	SR - 4	S1 - 4	S2 - 6	R - 6	K - 10



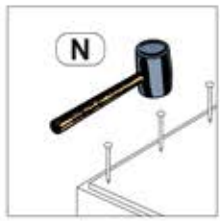
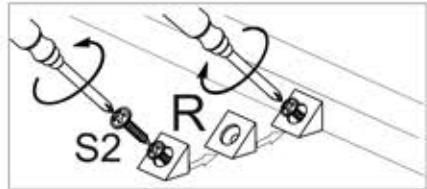
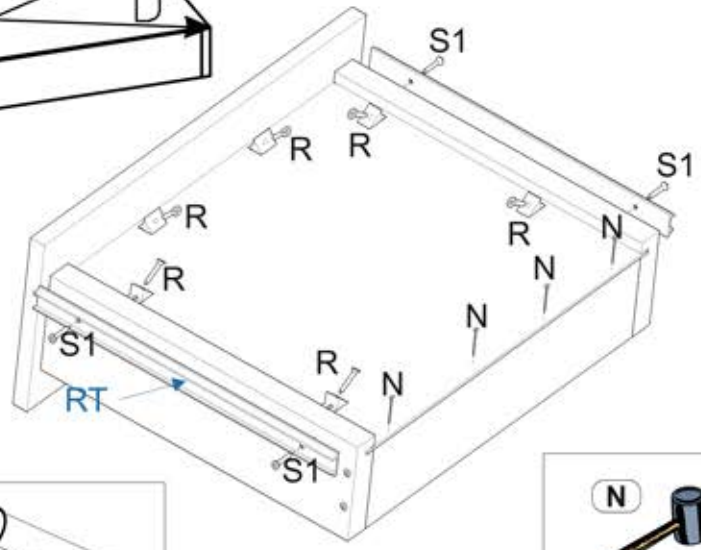
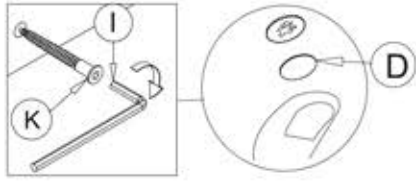


5

- RT-1
- R-6
- 3,5x20
- S2-6
- 3,5x16
- S1-4
- N-8
- D-8
- B-8
- C-4
- D-8
- Ø8 LUG
- K-4



$a = b$



6

