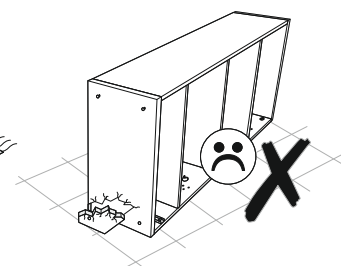
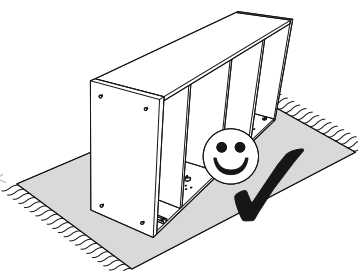
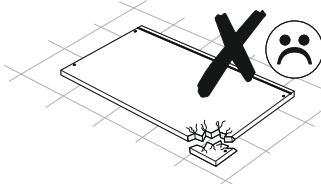
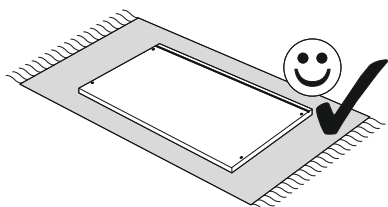
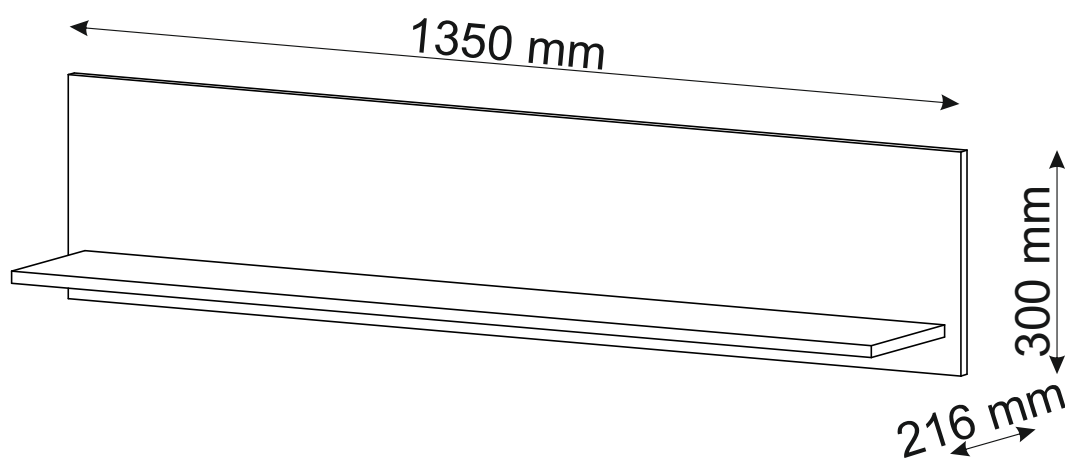
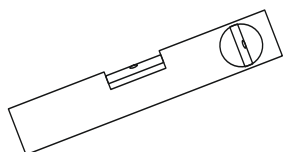
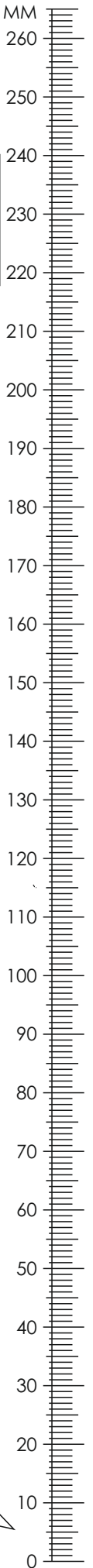
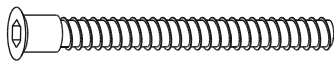

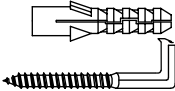


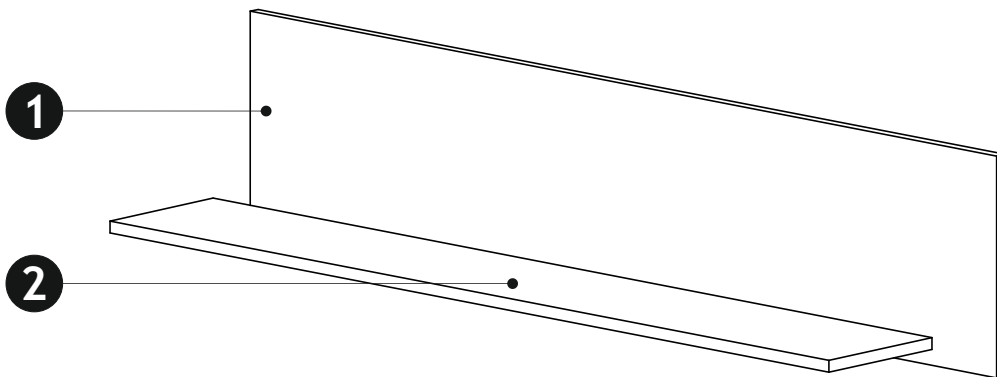



Ø8

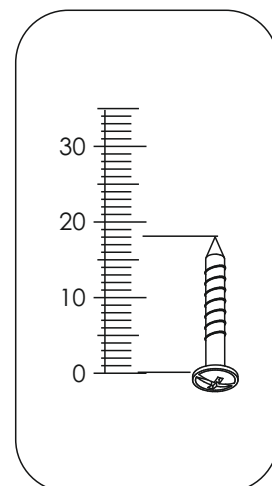






B2 f 7 x 70 mm x9 	D22 5 x 11 mm x6 	E1 8 x 40 mm x3 
K 4mm x1 	P1 x3 	

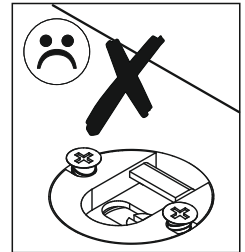
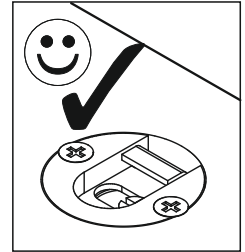
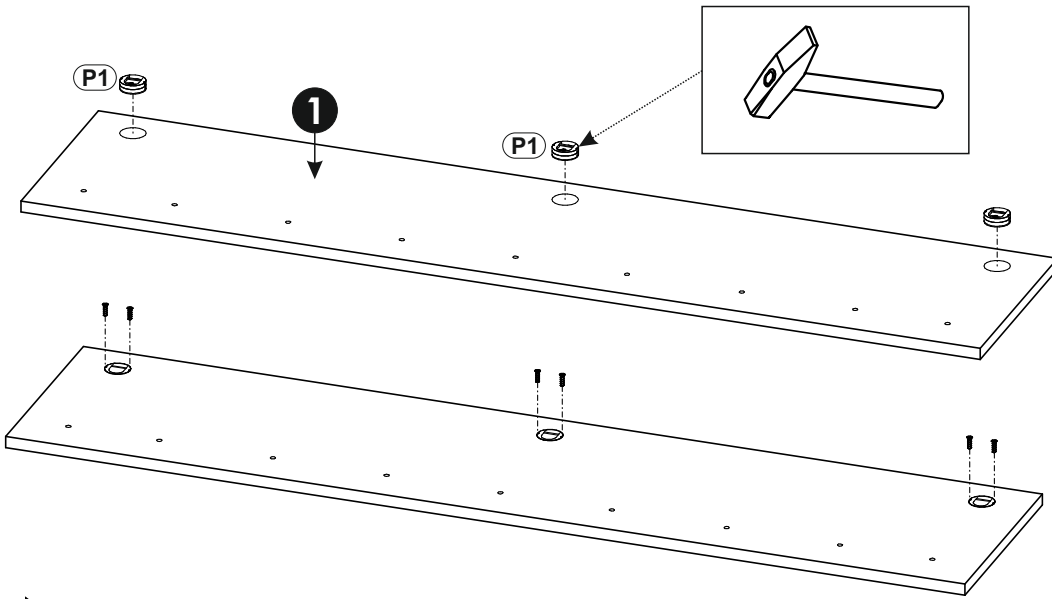
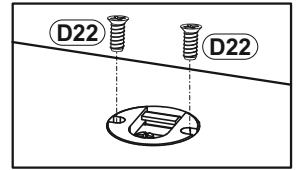
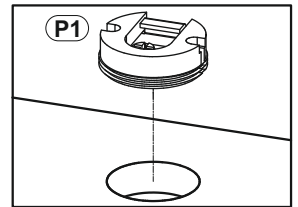


1	1350	300	16	x1	1/1
2	1300	200	16	x1	1/1
					1/1

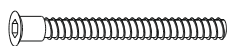
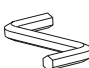


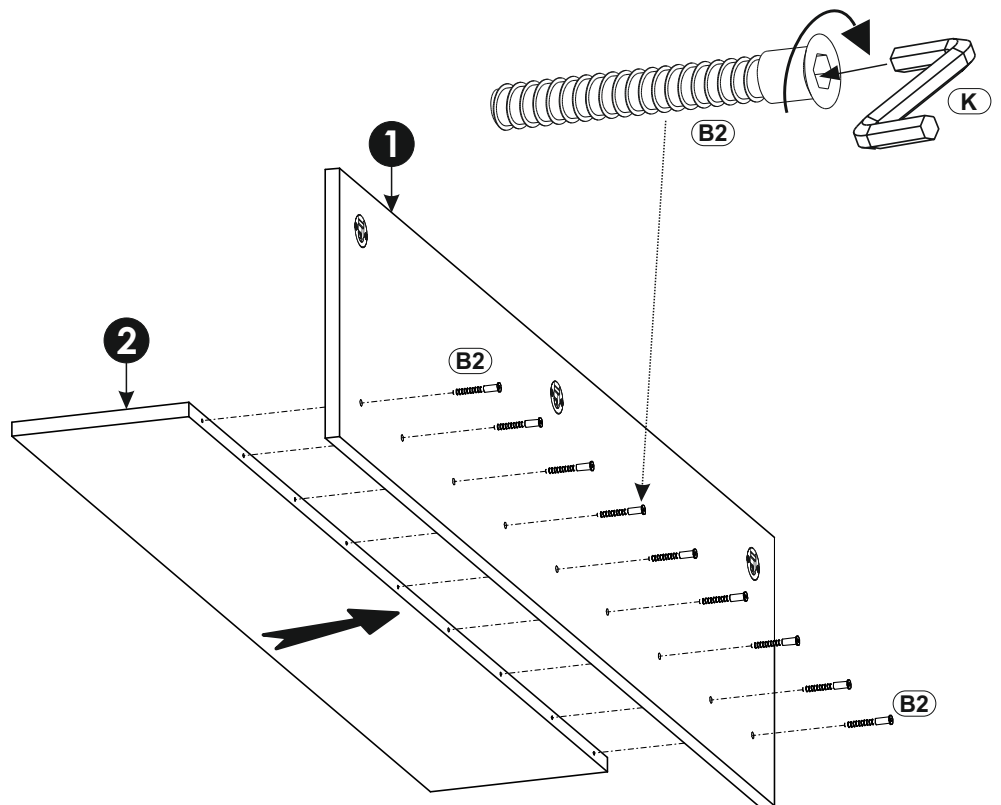
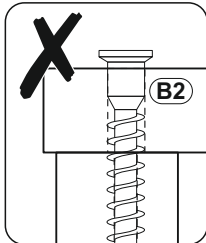
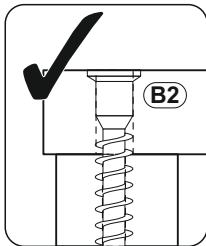
1 ▶

D22	5 x 11 mm	x6	P1	x3
				



2 ▶

B2	f 7 x 70 mm	x9	K	4mm	x1
					



3 ▶

