


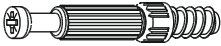


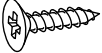


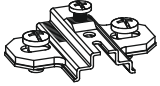



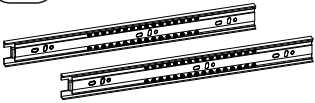

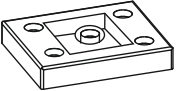

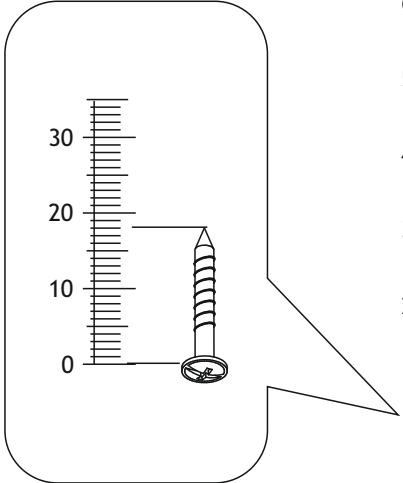


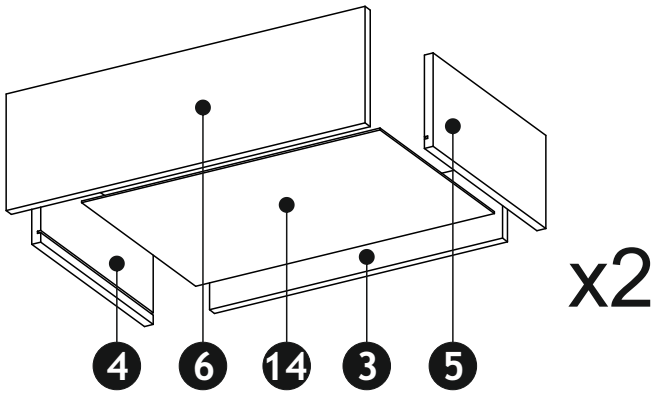
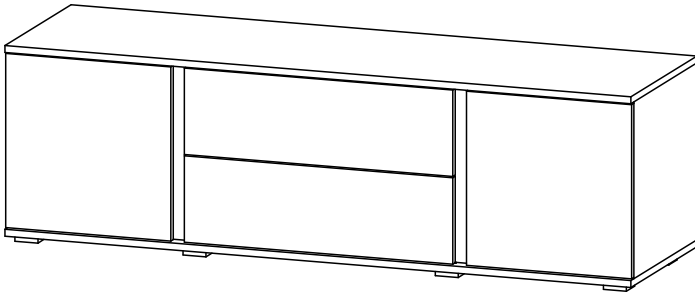



MM
260
250

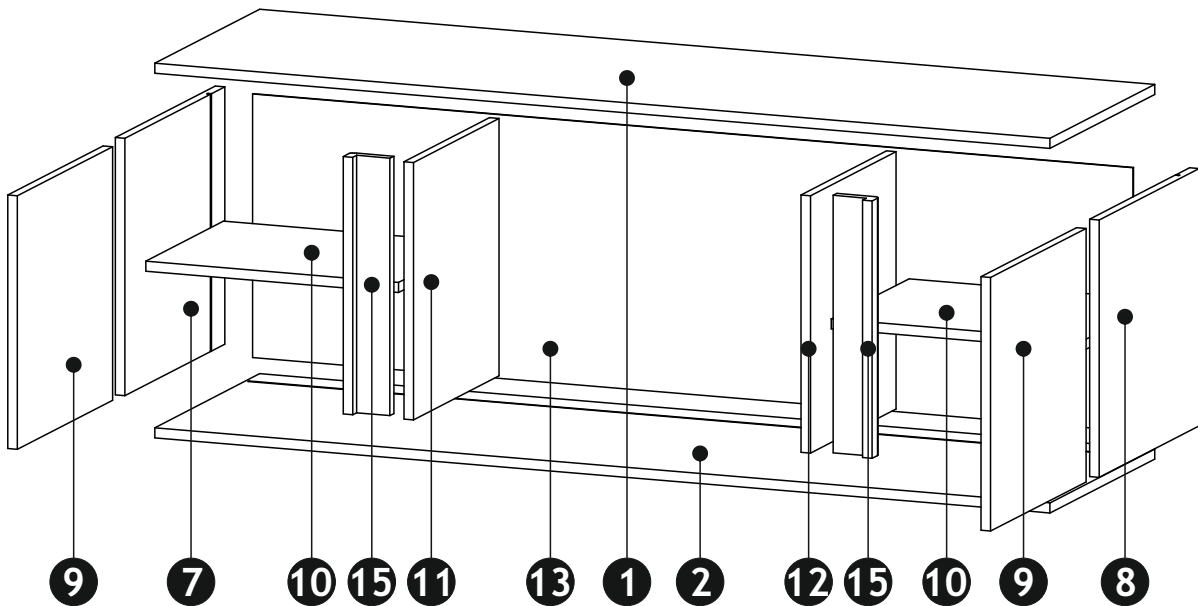
A0 8 x 30mm  x28	B1 f 7 x 50 mm  x16	C0  x16
C2  x20	C7 16mm  x20	D0 3 x 15 mm  x28
D10 4 x 16 mm  x8	D12 4 x 25 mm  x32	D21 5 x 13 mm  x28
J6  x4	J8  x4	K 4mm  x1
M1  x28	N7 L-350  x2	Q0  x8
T5  x8	T8  x12	

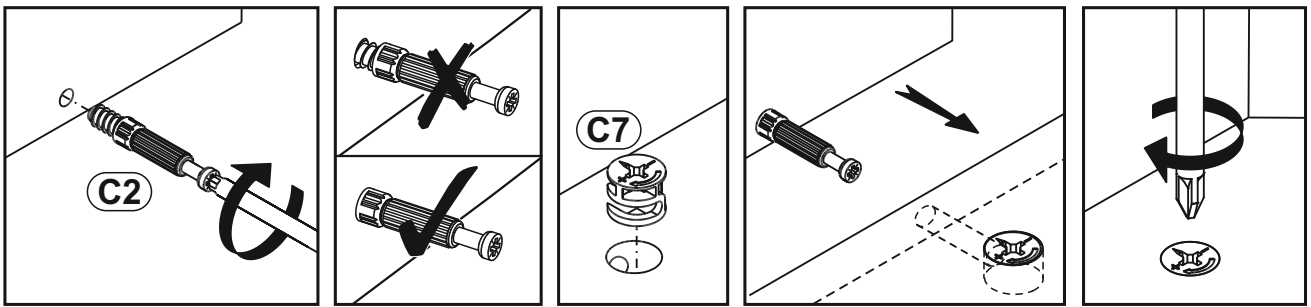
240
230
220
210
200
190
180
170
160
150
140
130
120
110
100
90
80
70
60
50
40
30
20
10
0






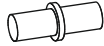

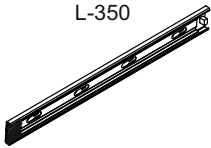


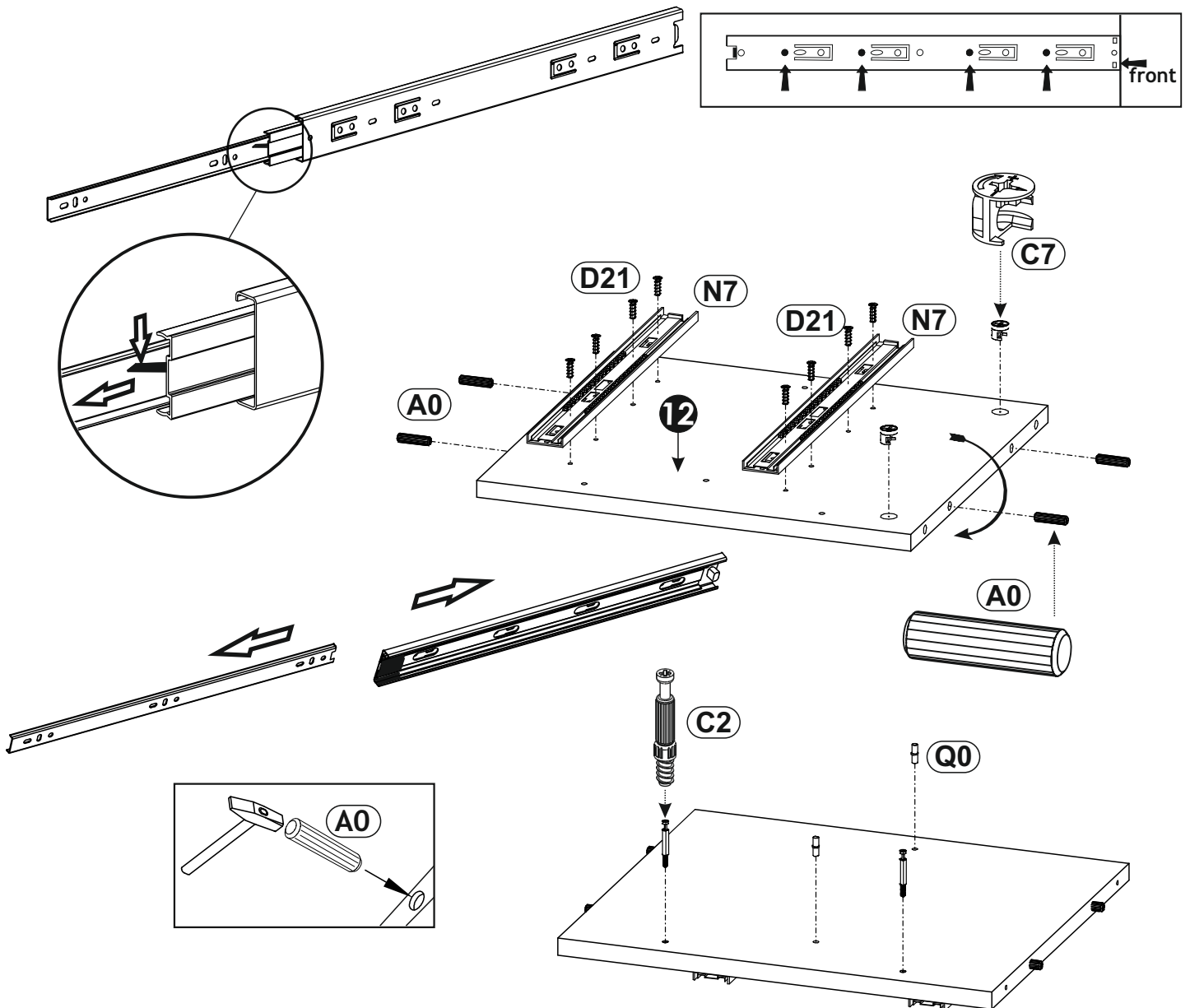
1	1501	435	16	x1	2/2
2	1501	435	16	x1	2/2
3	526	137	16	x2	2/2
4	350	160	16	x2	2/2
5	350	160	16	x2	2/2
6	644	200	16	x2	2/2
7	409	415	16	x1	1/2
8	409	415	16	x1	1/2
9	403	396	16	x2	1/2
10	424	323	16	x2	1/2
11	409	355	16	x1	1/2
12	409	355	16	x1	1/2
13	1476	419	3	x1	2/2
14	536	355	3	x2	2/2
15	409	72	32	x2	2/2
					1/2







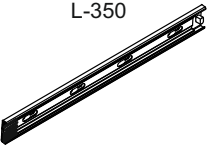
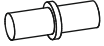


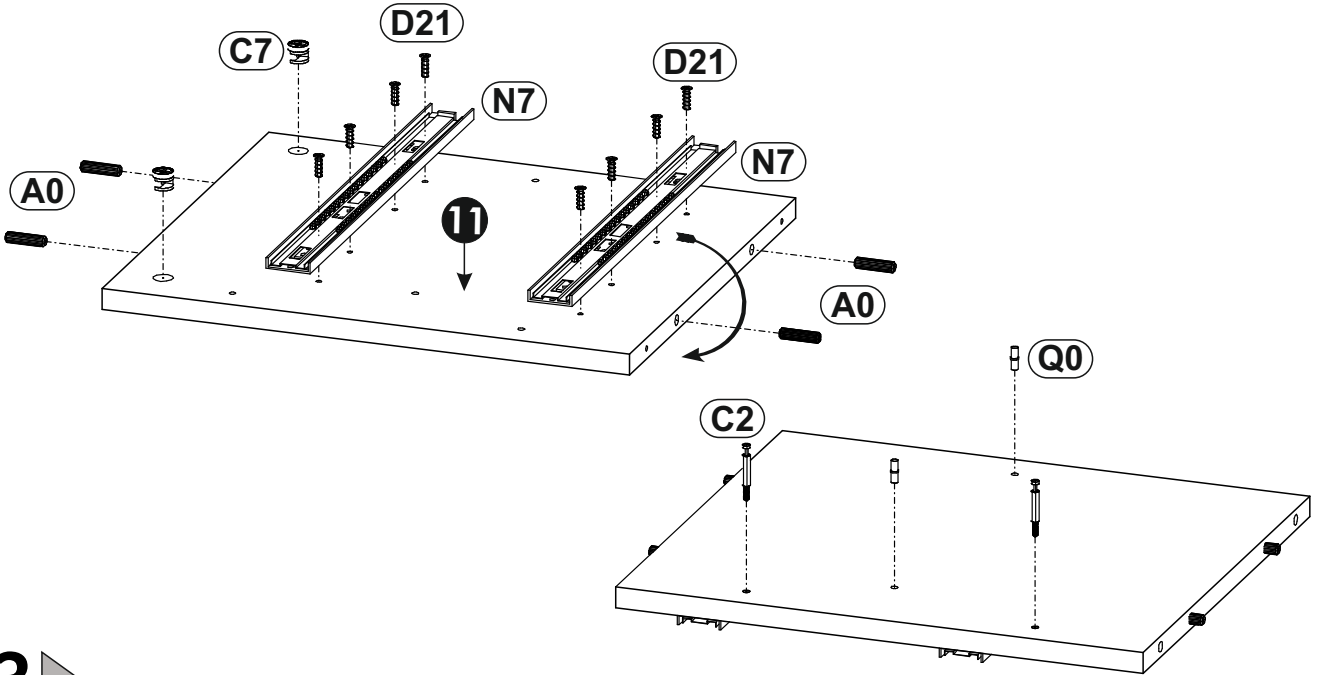
1 ▶

A0	8 x 30mm	x4	C2		x2	C7		x2
						16mm		
D21	5 x 13 mm	x8	N7	L-350	x2			x2
								



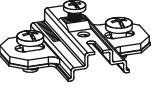
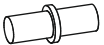


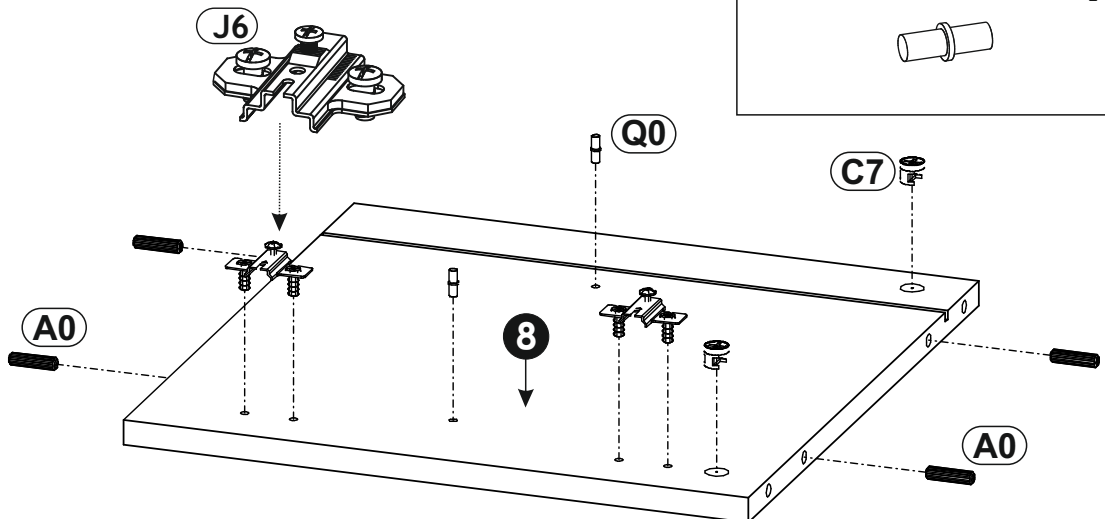
2 ▶

(A0) 8 x 30mm  x4	(C2)  x2	(C7) 16mm  x2
(D21) 5 x 13 mm  x8	(N7) L-350  x2	(Q0)  x2



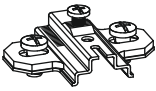
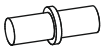


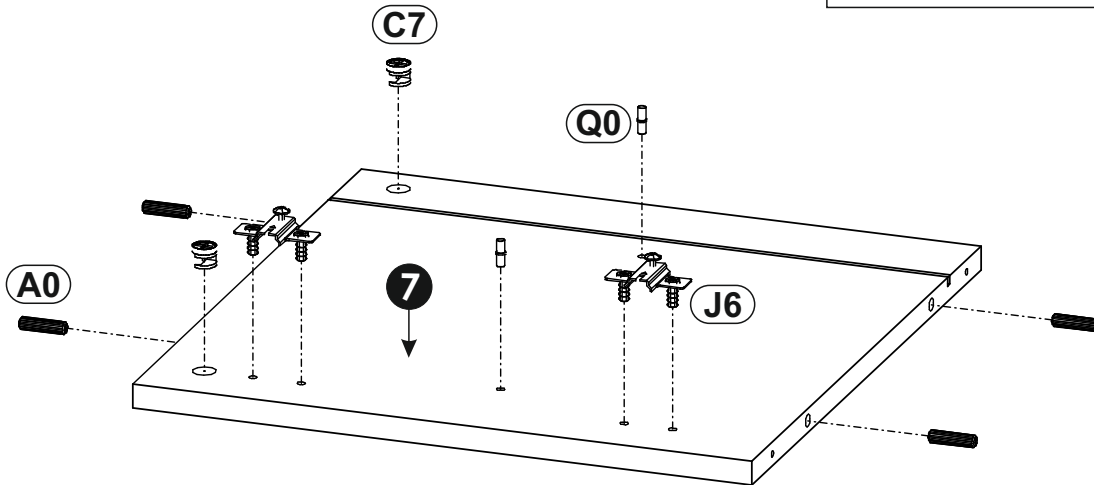
3 ▶

(A0) 8 x 30mm  x4	(C7) 16mm  x2	(J6)  x2
		(Q0)  x2

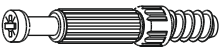


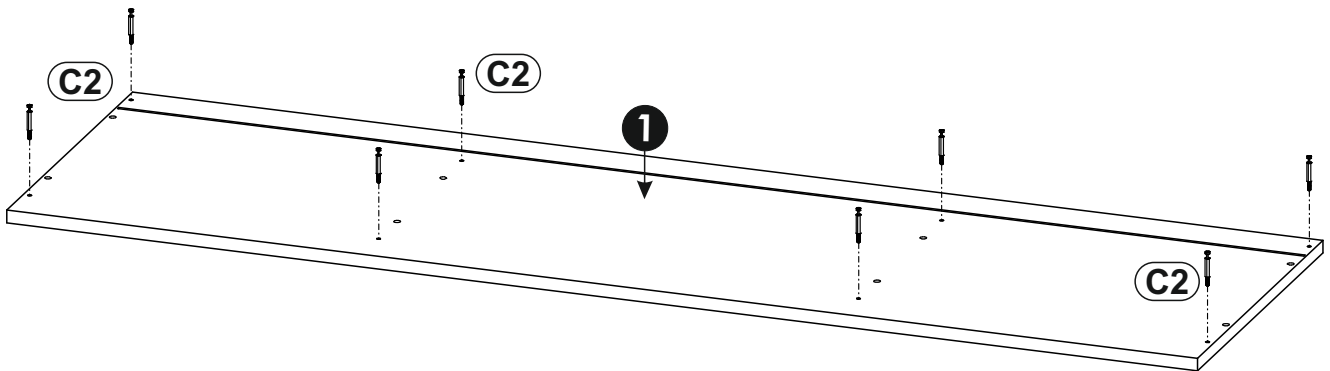
4 ▶

A0 8 x 30mm x4 	C7 16mm x2 	J6 x2 
		Q0 x2 




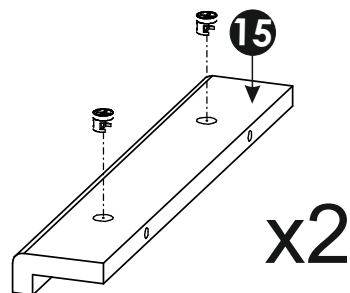
5 ▶

C2 x8 

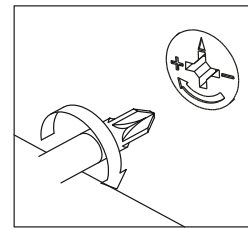
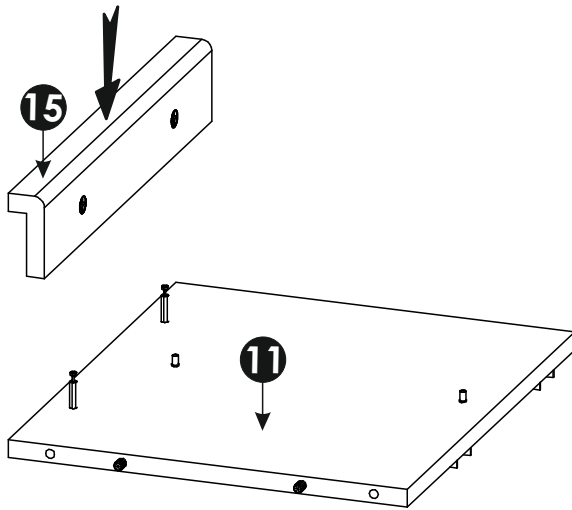


6 ▶

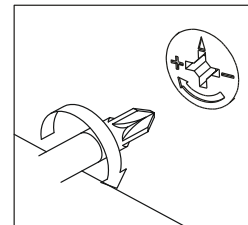
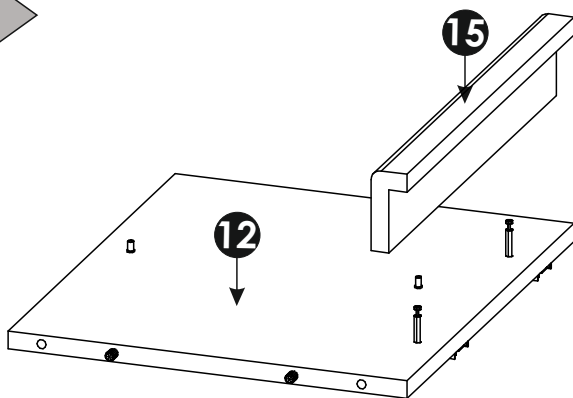
C7 16mm x4 



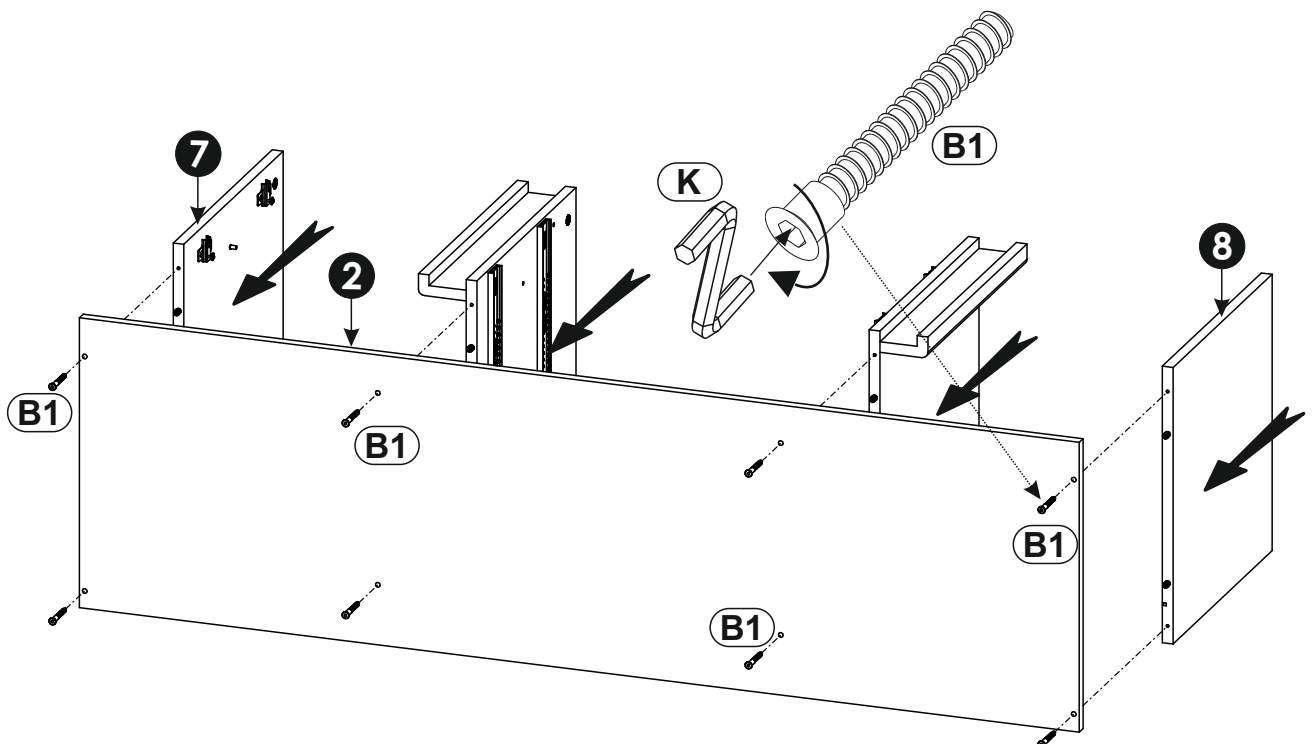
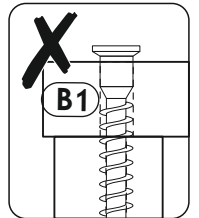
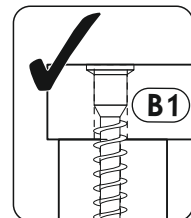
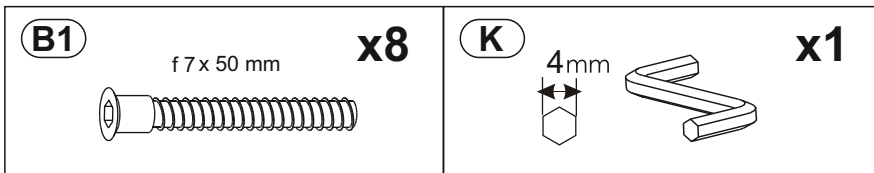
6 ▶



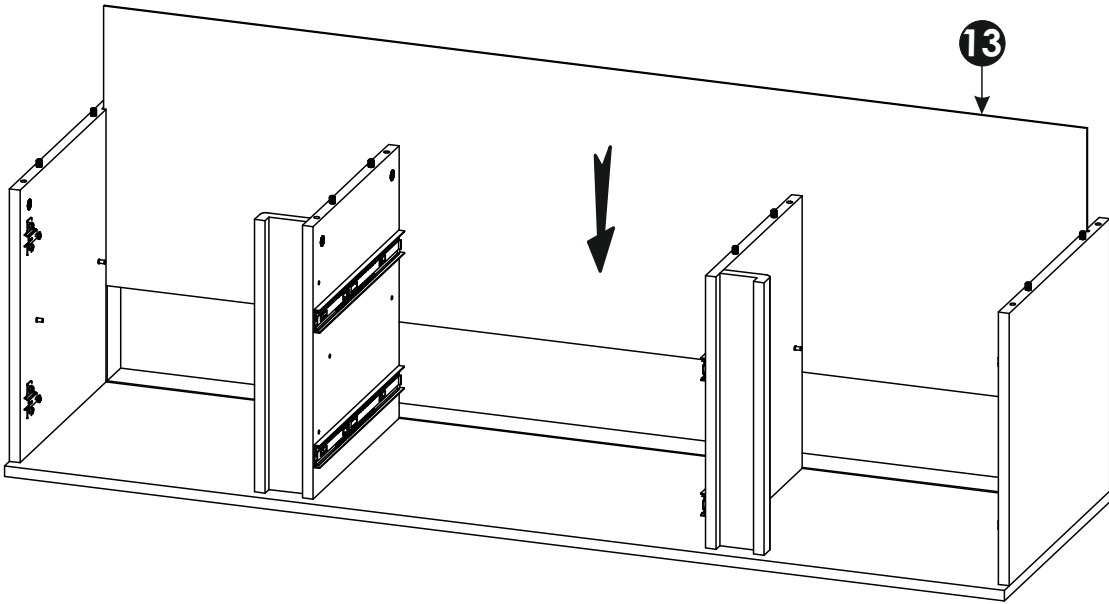
7 ▶



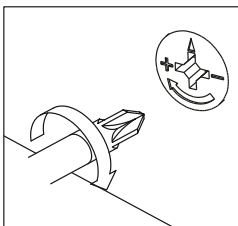
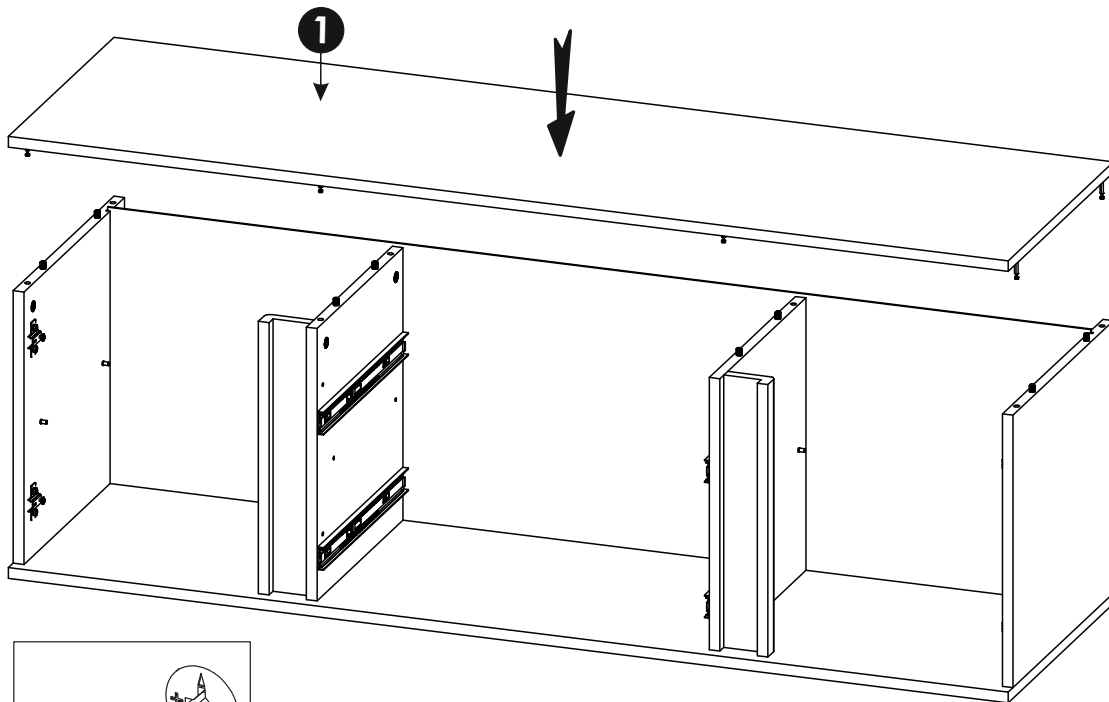
8 ▶



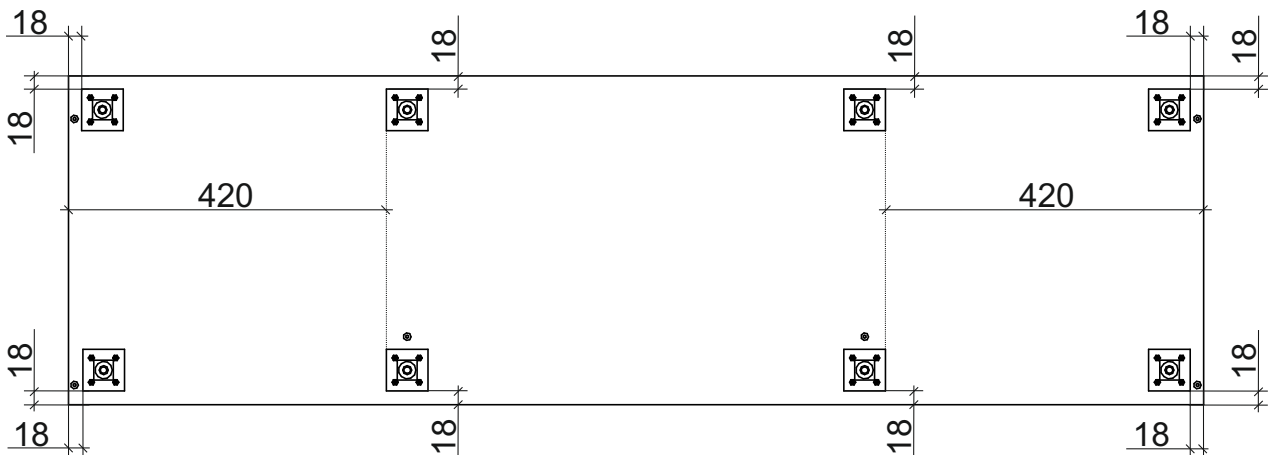
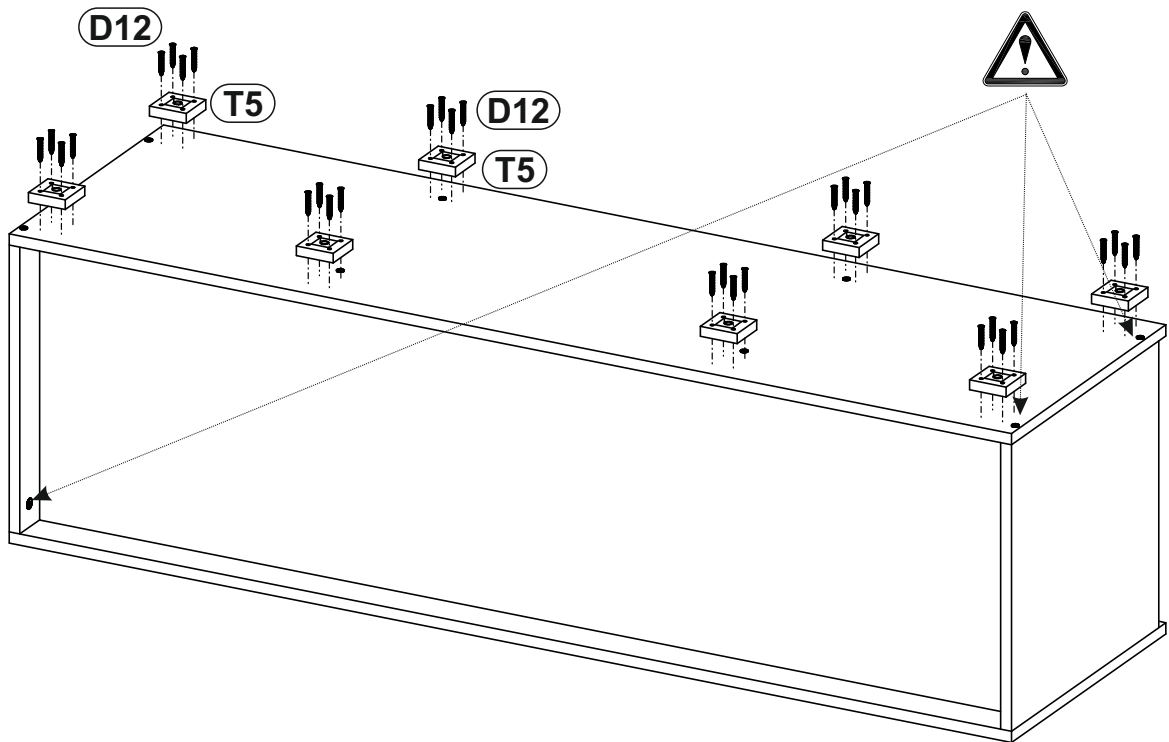
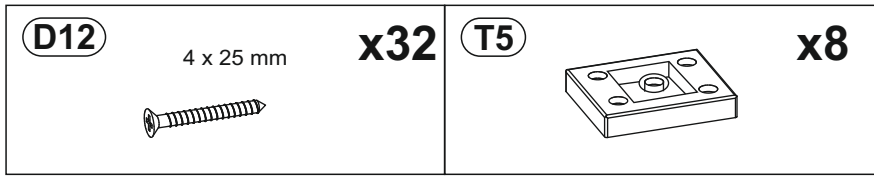
9 ▶





10 ▶

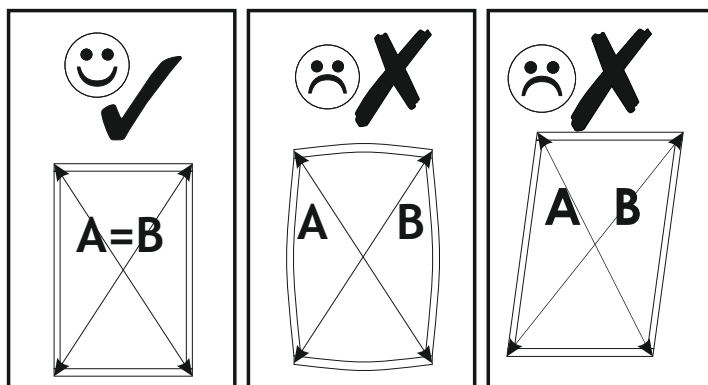
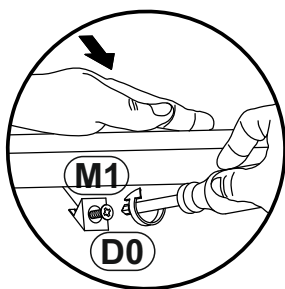
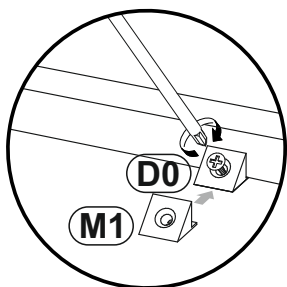
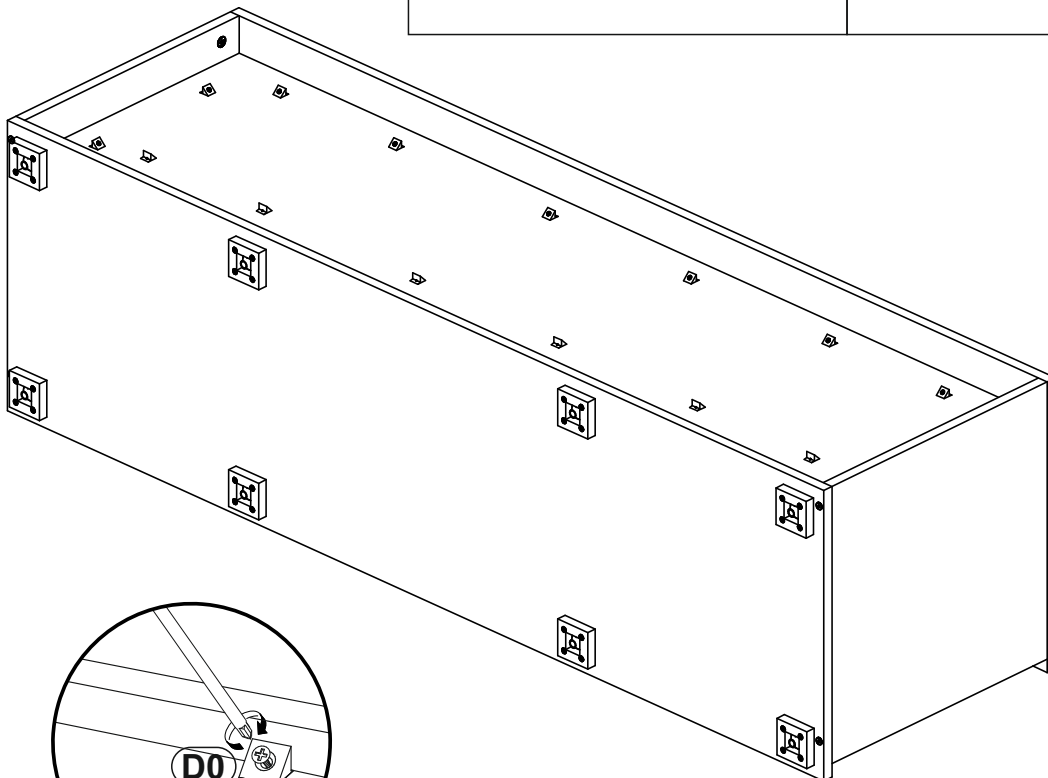


11 ▶

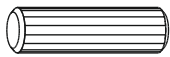


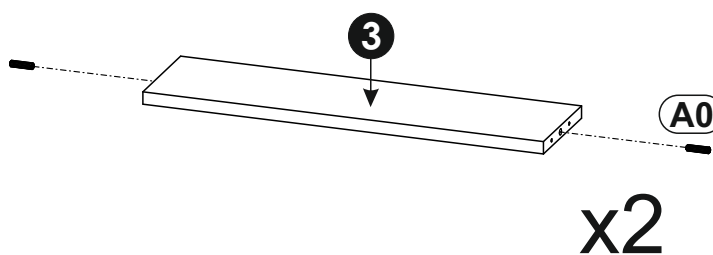
12 ▶

<p>(D0) 3 x 15 mm x16</p> 	<p>(M1) x16</p> 
---	---

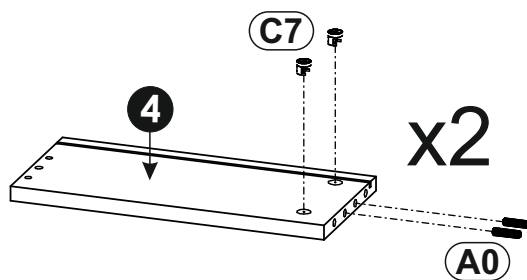
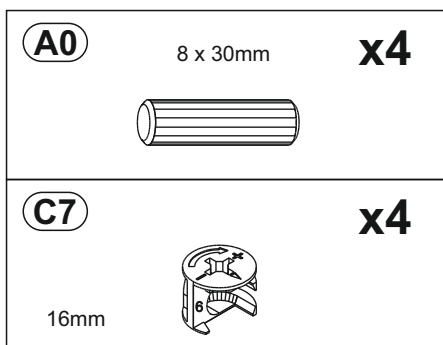


13 ▶

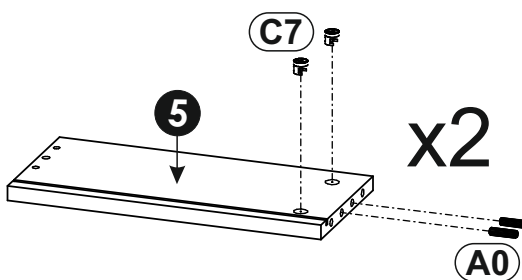
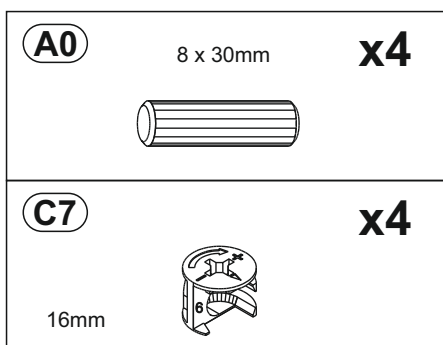
<p>(A0) 8 x 30mm x4</p> 



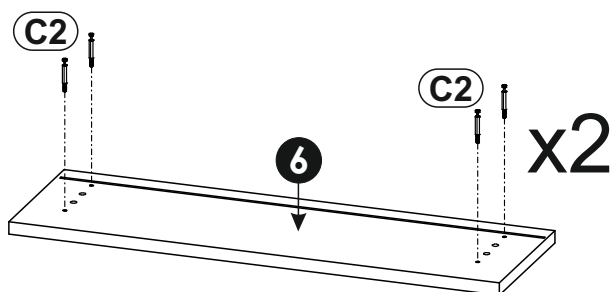
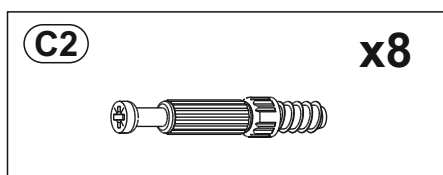
14 ▶



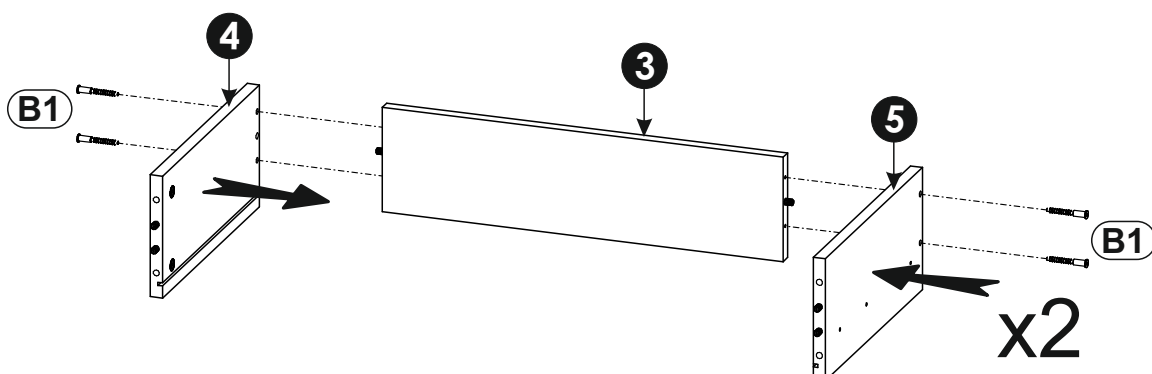
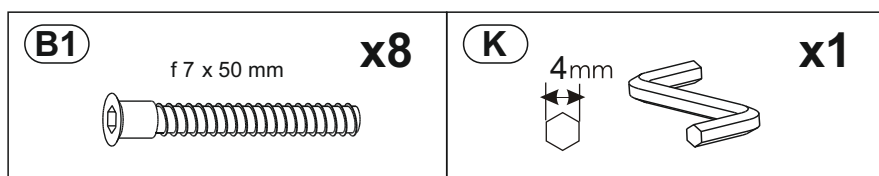
15 ▶



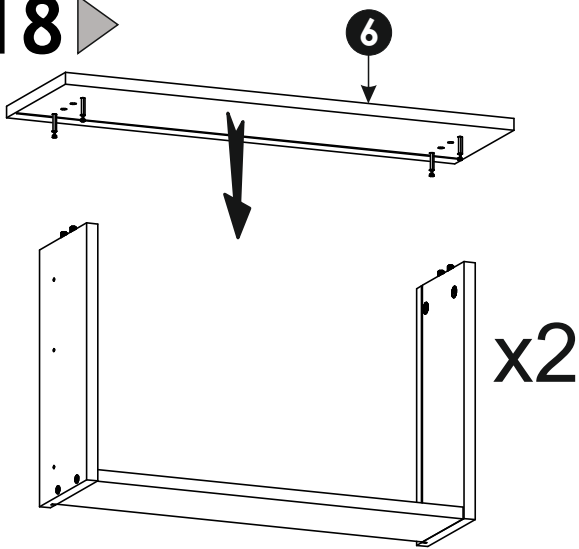
16 ▶



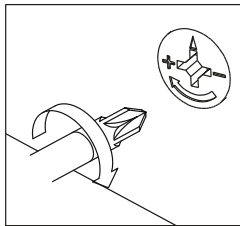
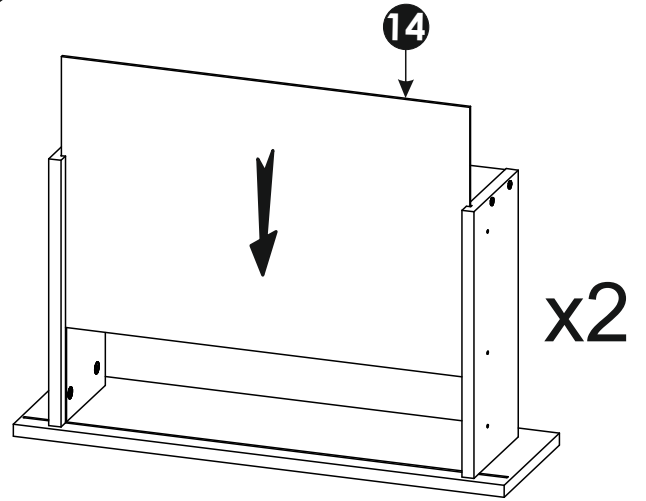
17 ▶





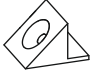
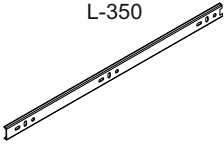

18 ▶

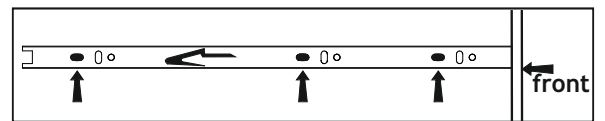
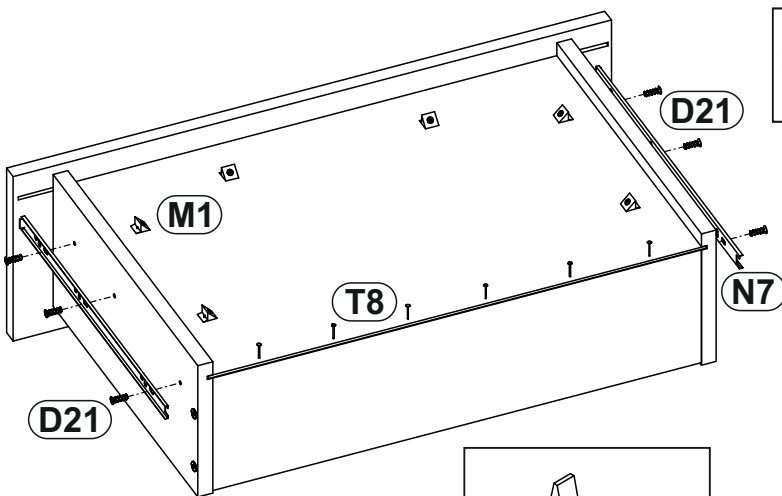


19 ▶



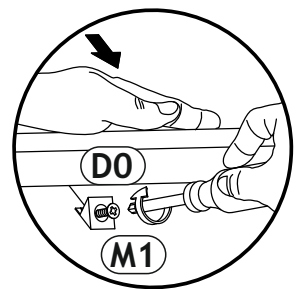
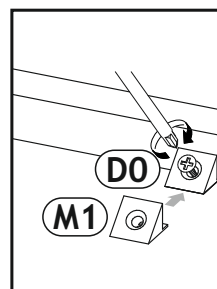
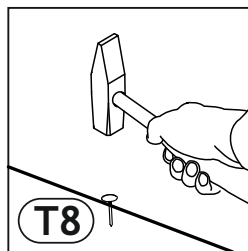
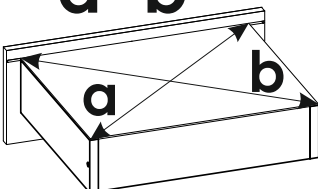
20 ▶

<p>(D0) 3 x 15 mm x12</p> 	<p>(D21) 5 x 13 mm x12</p> 	<p>(M1) x12</p> 
<p>(N7) L-350 x4</p> 	<p>(T8) x12</p> 	

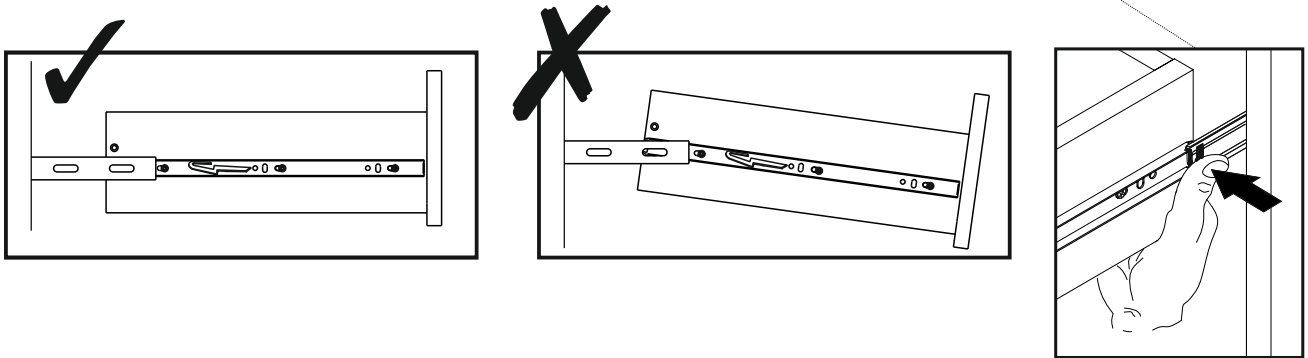
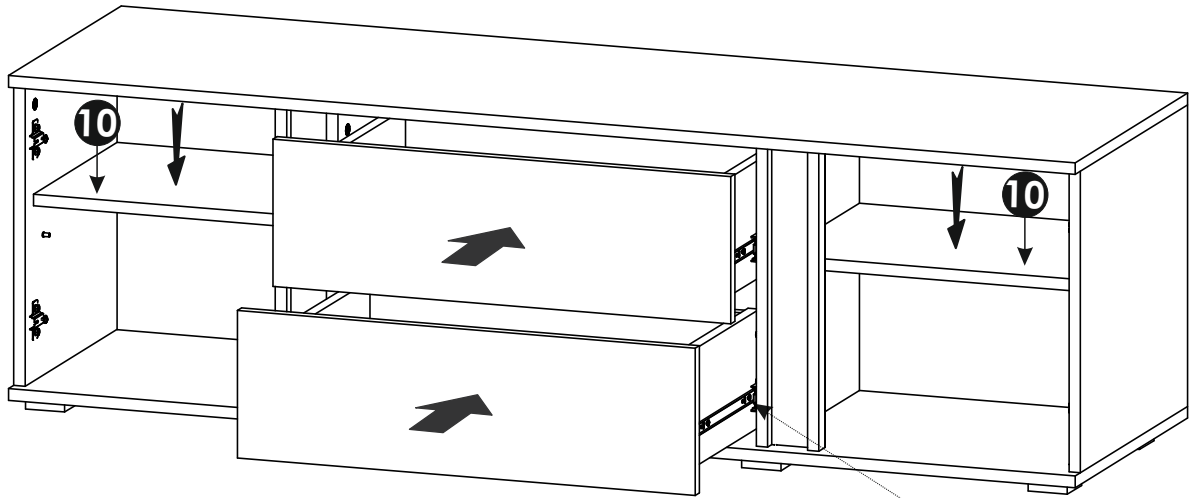


x2

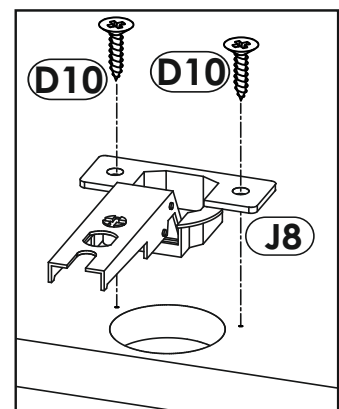
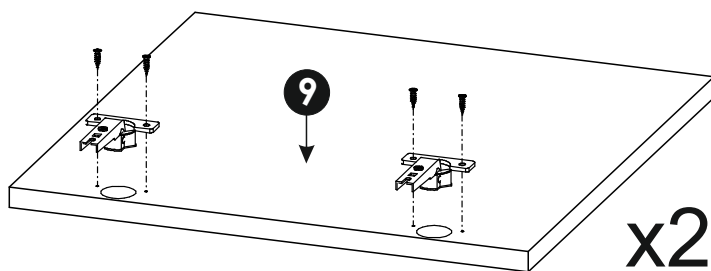
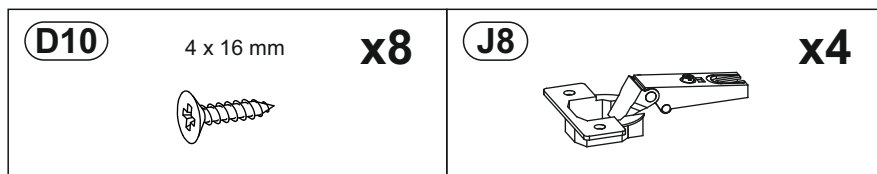
$a=b$



22 ▶



23 ▶



24 ▶

