

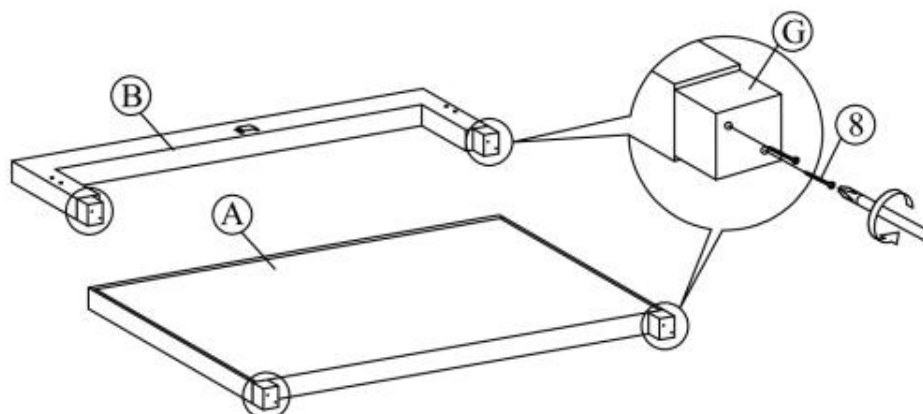
GRACE 160

A (1 PC) 	B (1 PC) 	C (2 PCS) 	D (1 PC) 	E (2 PCS) 	F (4 PCS)
G (4 PCS) 	H (1 PC) (WITH LABEL 1) 	I (1 PC) (WITH LABEL 2) 	J (6 PCS) (WITH LABEL 3) 	K (1 PC) (WITH LABEL 4) 	L (2 PCS) (WITH LABEL 5)
M (2 PCS) (WITH LABEL 6) 	N (2 PCS) (WITH LABEL 7) 	O (7 PCS) (WITH LABEL 8) 	P (4 PCS) (WITH LABEL 9) 	Q (28 PCS) 	

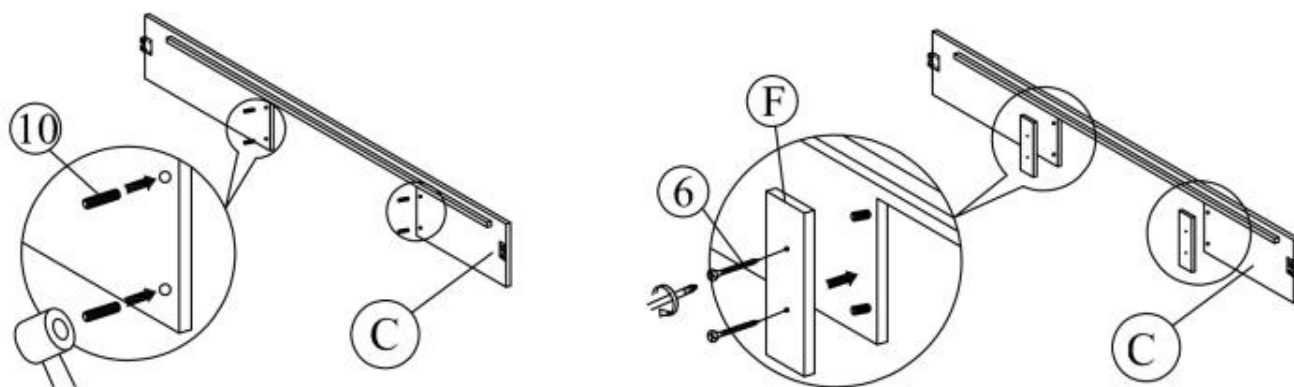
1 JCBC M6 X 40mm(2 PCS) R 	2 JCBB M8 x 20 mm (8pcs) S 	3 ALLEN KEY M4 X 65mm (1 PC) 	4 ALLEN KEY M5 X 70mm (1 PC) 	5 CSK M3.5 x 16mm (60 PCS) T
6 CSK M4 x 25mm (8 PCS) U 	7 CSK M4 x 32mm (36 PCS) V 	8 CSK M4 x 50mm (32 PCS) W 	9 ROLLER (14 PCS) X 	10 WOOD DOWEL 20MM (8 PCS) Y
11 Power Nail 6/8 (24 PCS) Z 	12 Adjuster 35mm (2 PCS) Z1 	13 Z2 (6 PCS) 	14 Z3 (14 PCS) 	15 Z4 (28 PCS)

GRACE

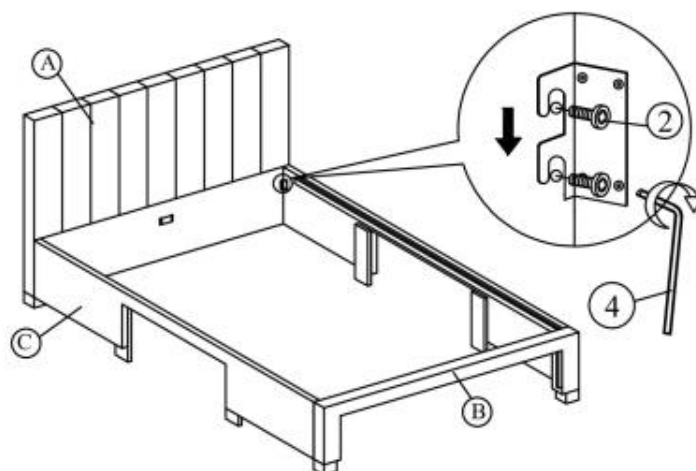
1



2

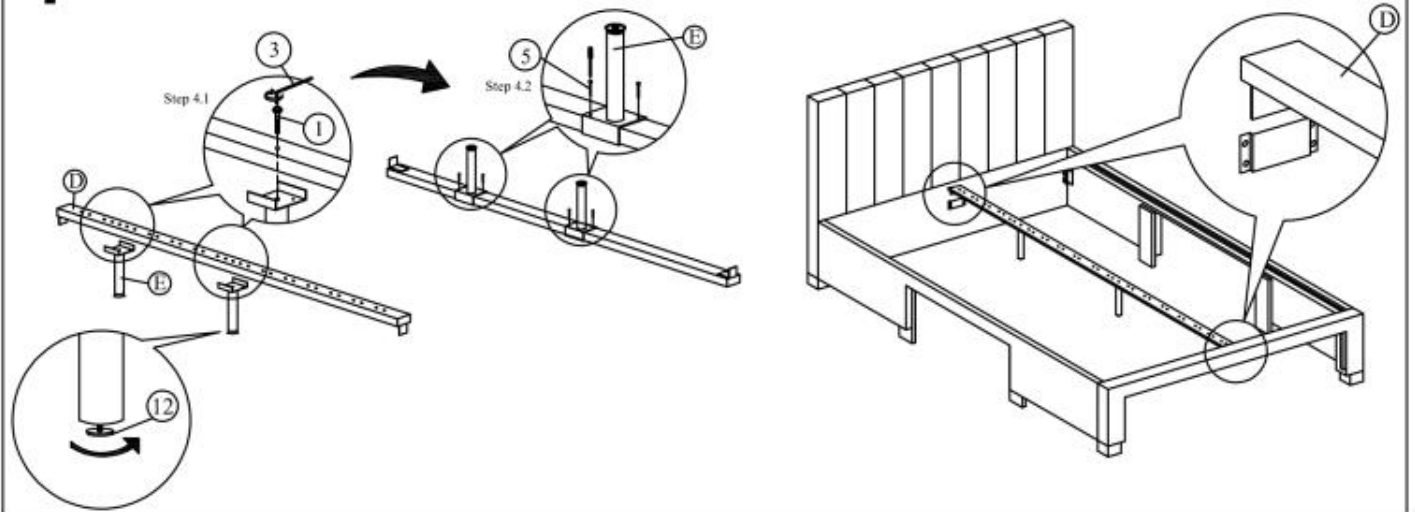


3

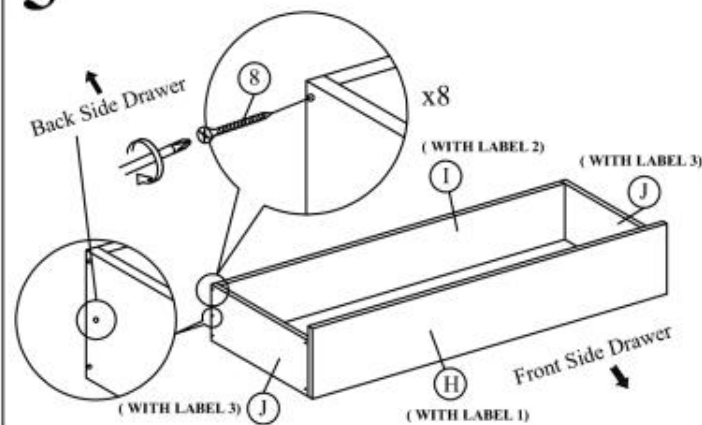


GRACE

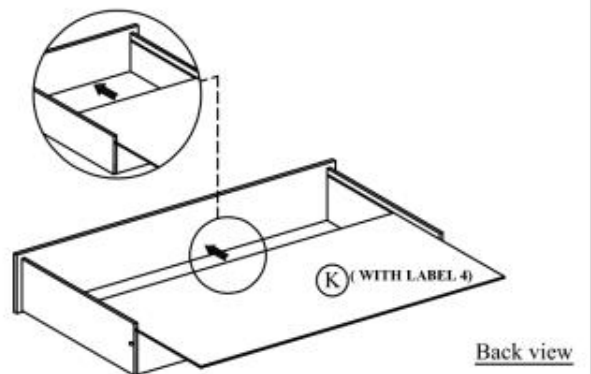
4



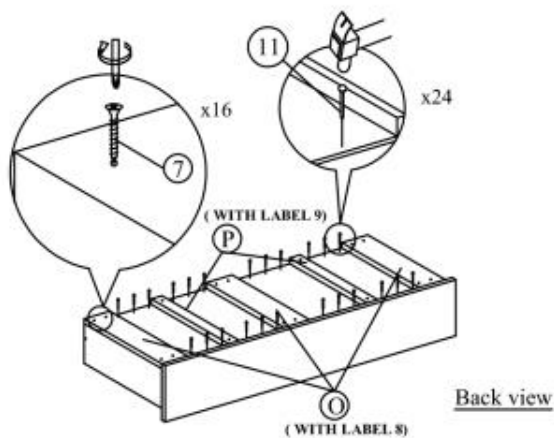
5



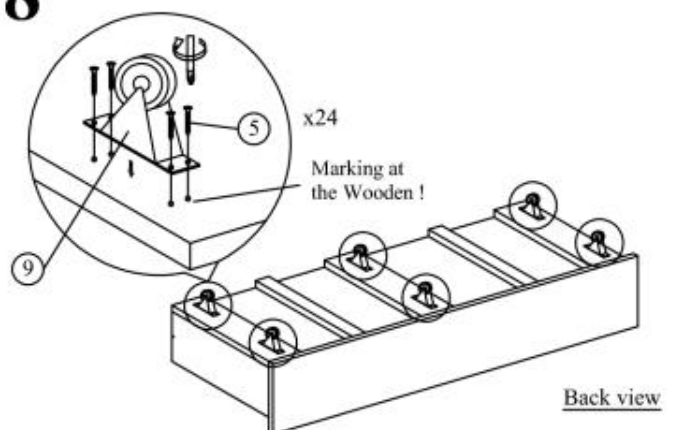
6



7

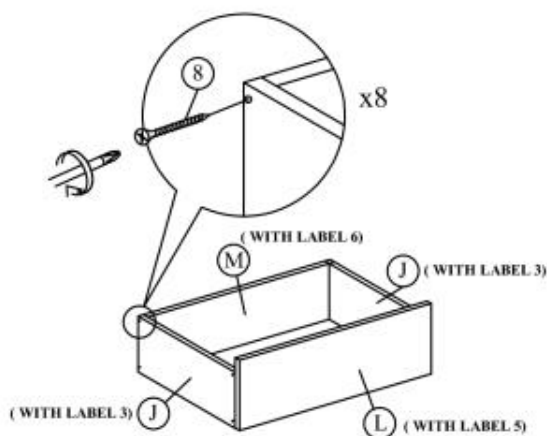


8

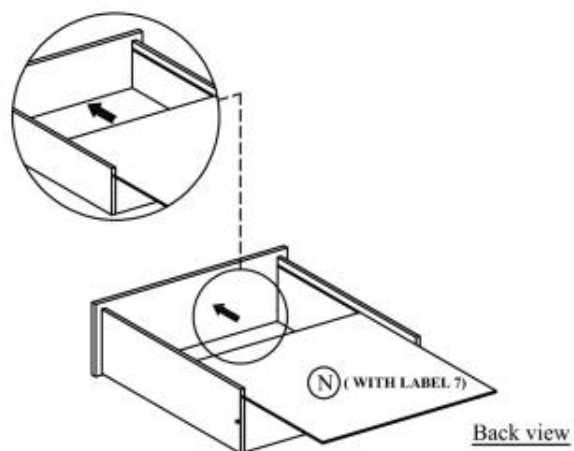


GRACE

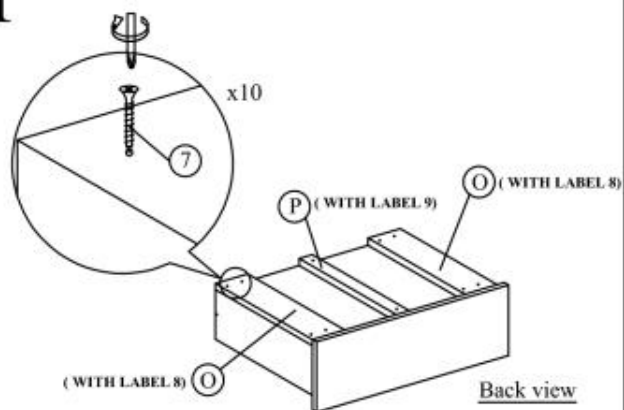
9



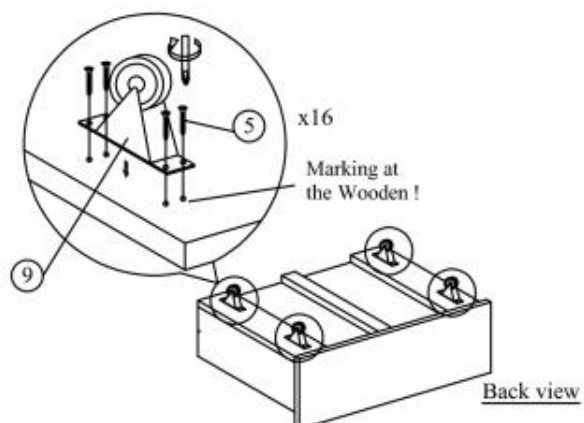
10



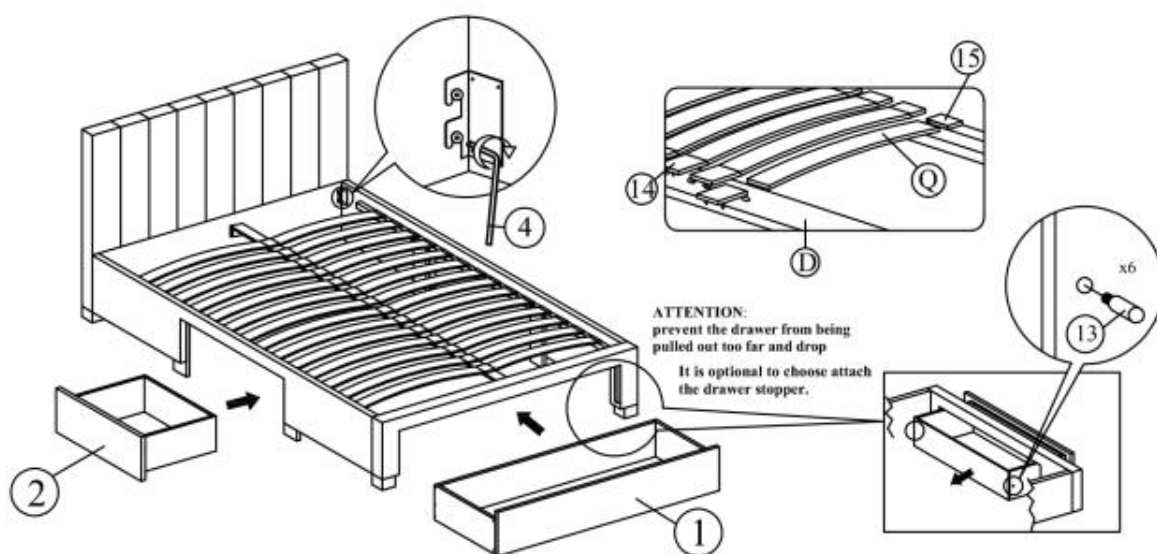
11



12



13



HALMAR SP. z o. o.

ul. Centralnego Okregu Przemyslowego 2, 37-450 Stalowa Wola, POLSKA / POLAND
tel.+48 15 843 28 10, fax:+48 15 842 19 57, e-mail: office@halmar.com.pl

4/4