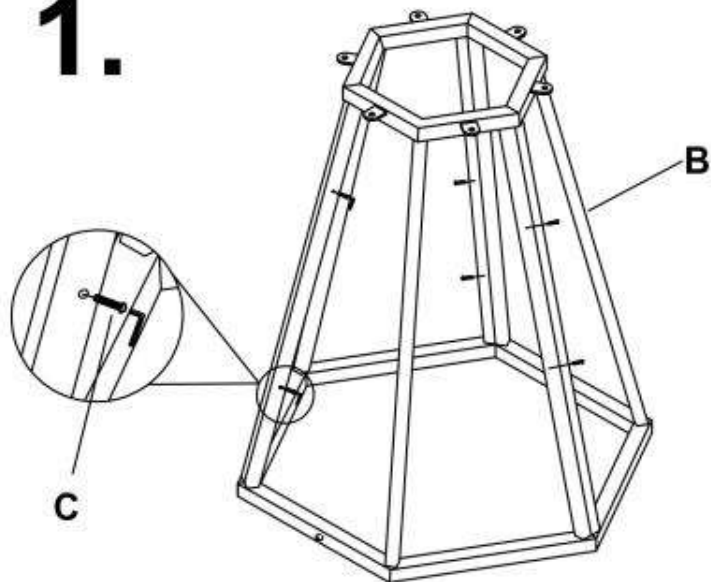
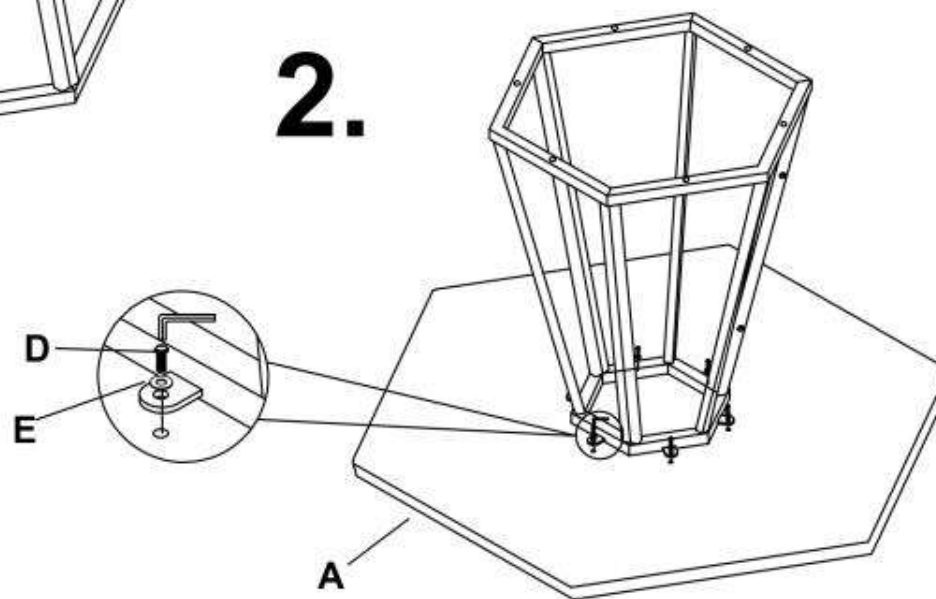







HERMAN


1.



2.



A		1
B		3
C	 M6x16 mm	6
D	 M6x30 mm	6
E		6

 max. 30 kg

v.1