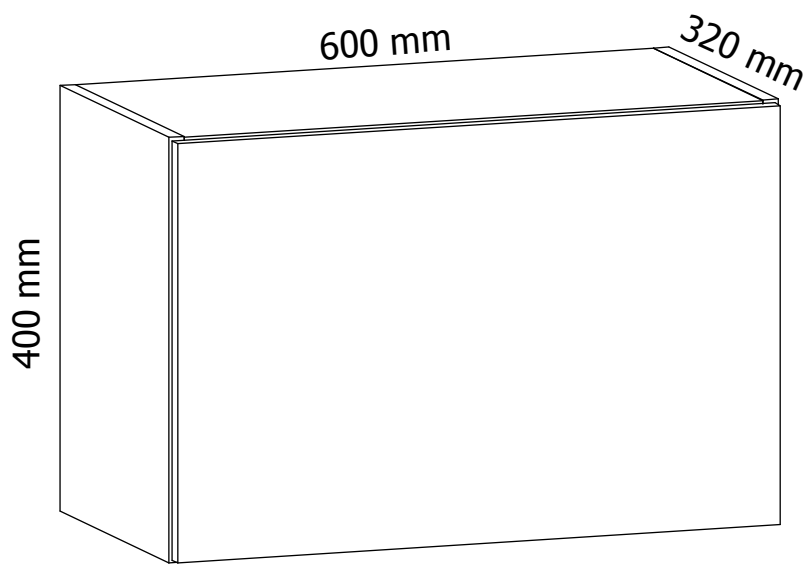
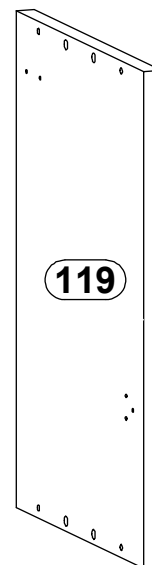
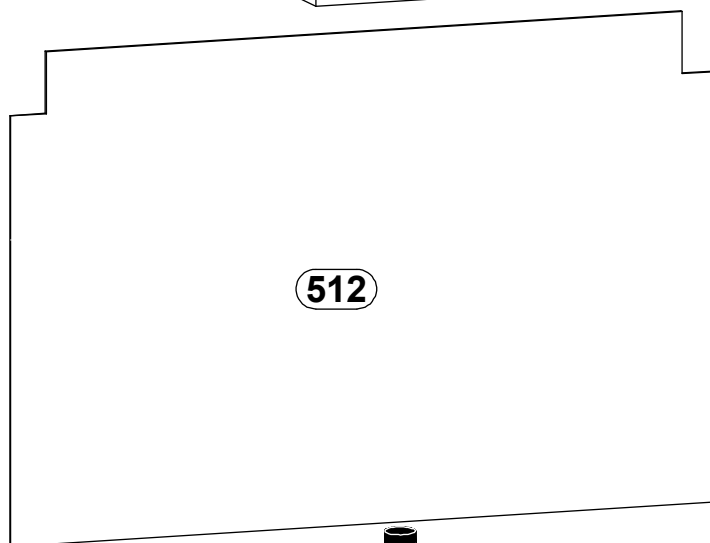
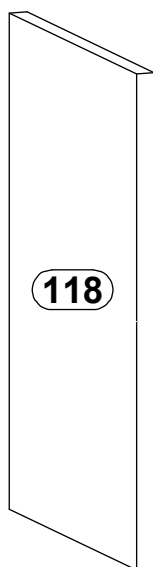
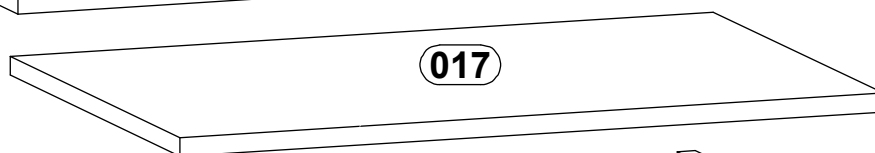
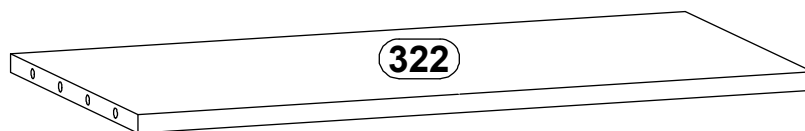
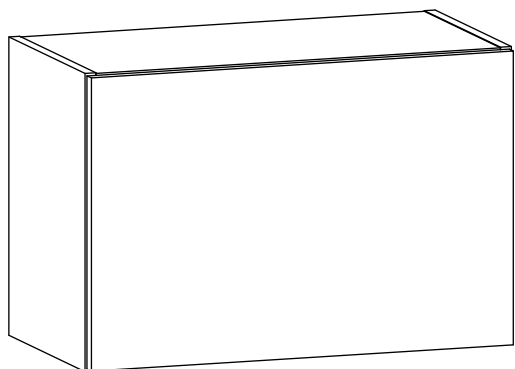


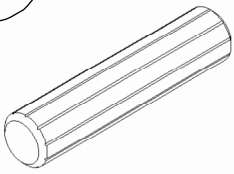
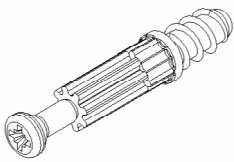
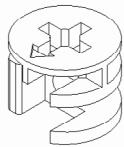
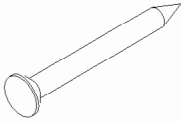
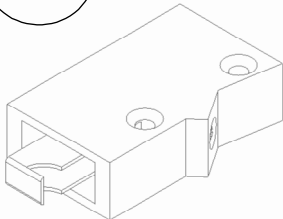
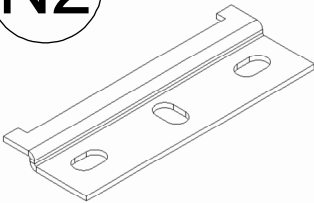
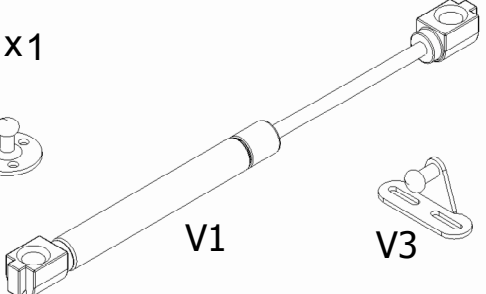


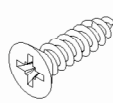
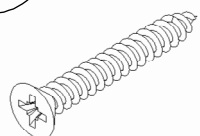

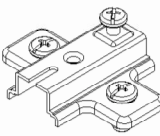
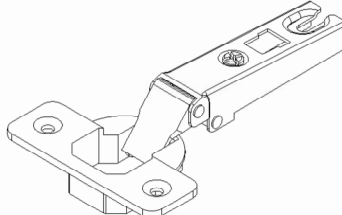
**AURORA**

**G60K**

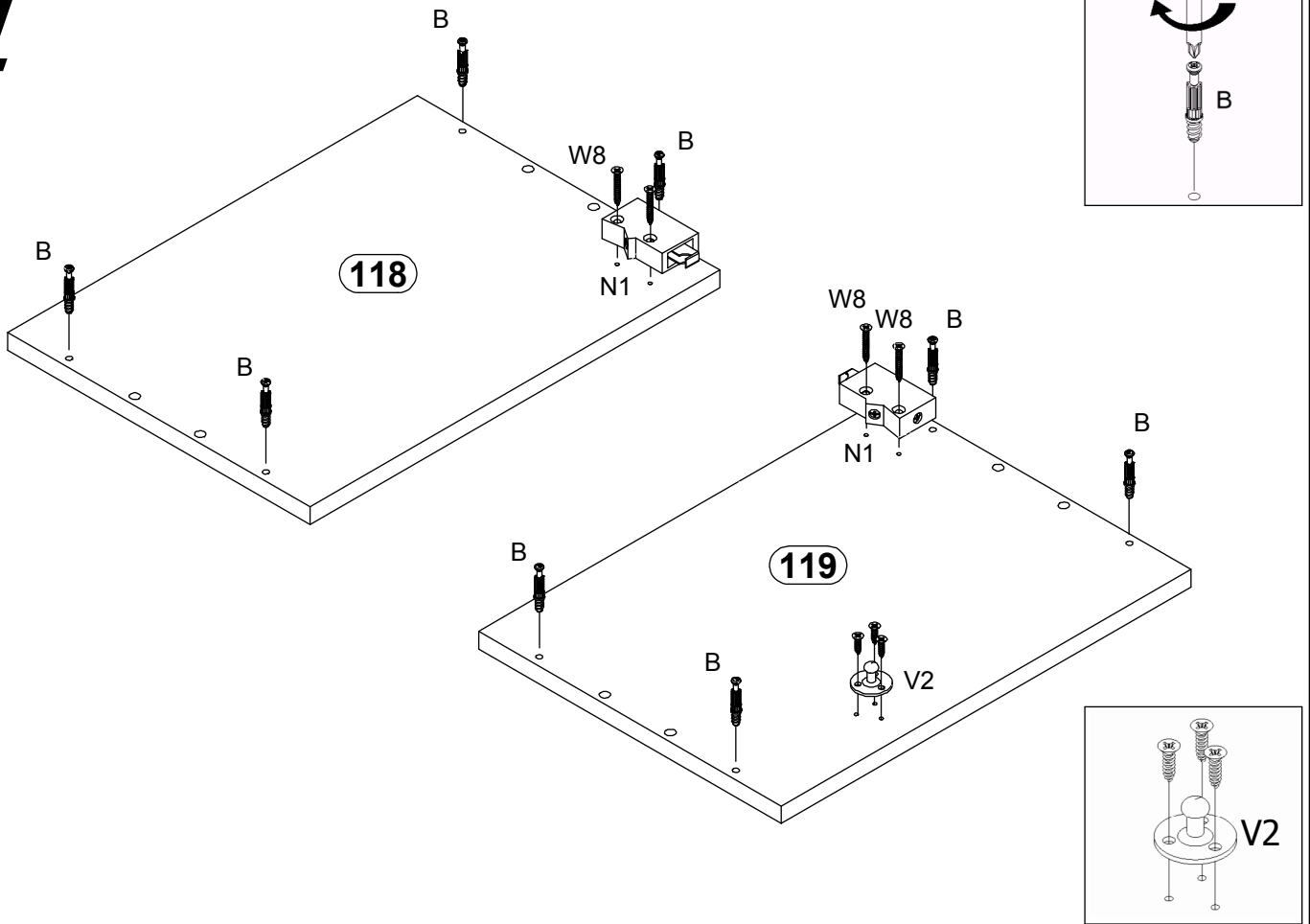


# AURORA G60K

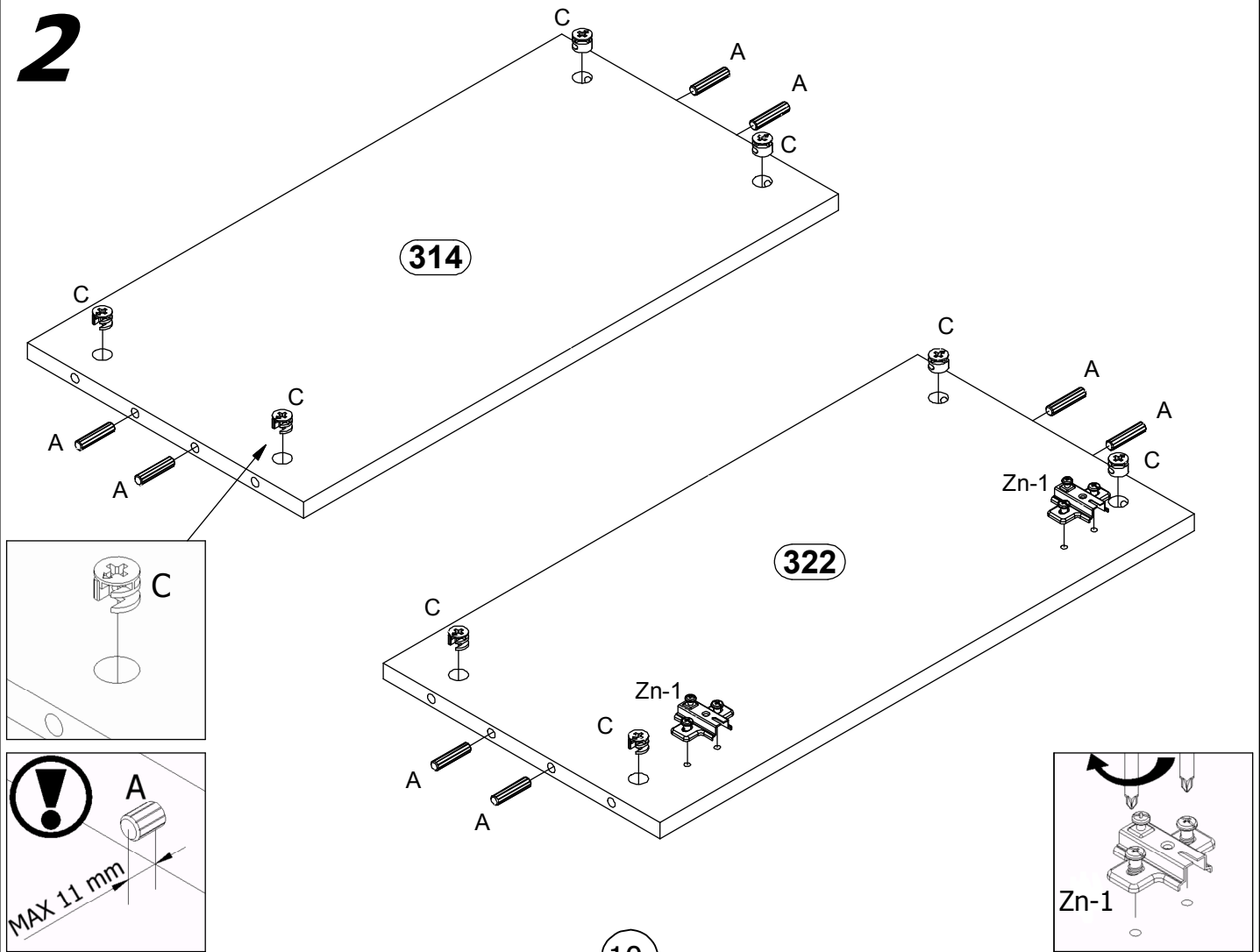


<p><b>A</b> x8</p>  <p>Ø8x35mm</p>	<p><b>B</b> x8</p> 	<p><b>C</b> x8</p>  <p>Ø15x12mm</p>	<p><b>G</b> x20</p> 
	<p><b>N1</b> x2</p> 	<p><b>N2</b> x2</p> 	
<p><b>V</b> x1</p>  <p>V1</p> <p>V2</p>  <p>V3</p> 	<p><b>W2</b> x4</p>  <p>Ø3,5x16mm</p>	<p><b>W8</b> x4</p>  <p>Ø4x30mm</p>	
<p><b>Y</b> x8</p>  <p>Ø18 mm</p>	<p><b>Zn</b> x2</p>  <p>Zn-1</p>  <p>Zn-2</p>		

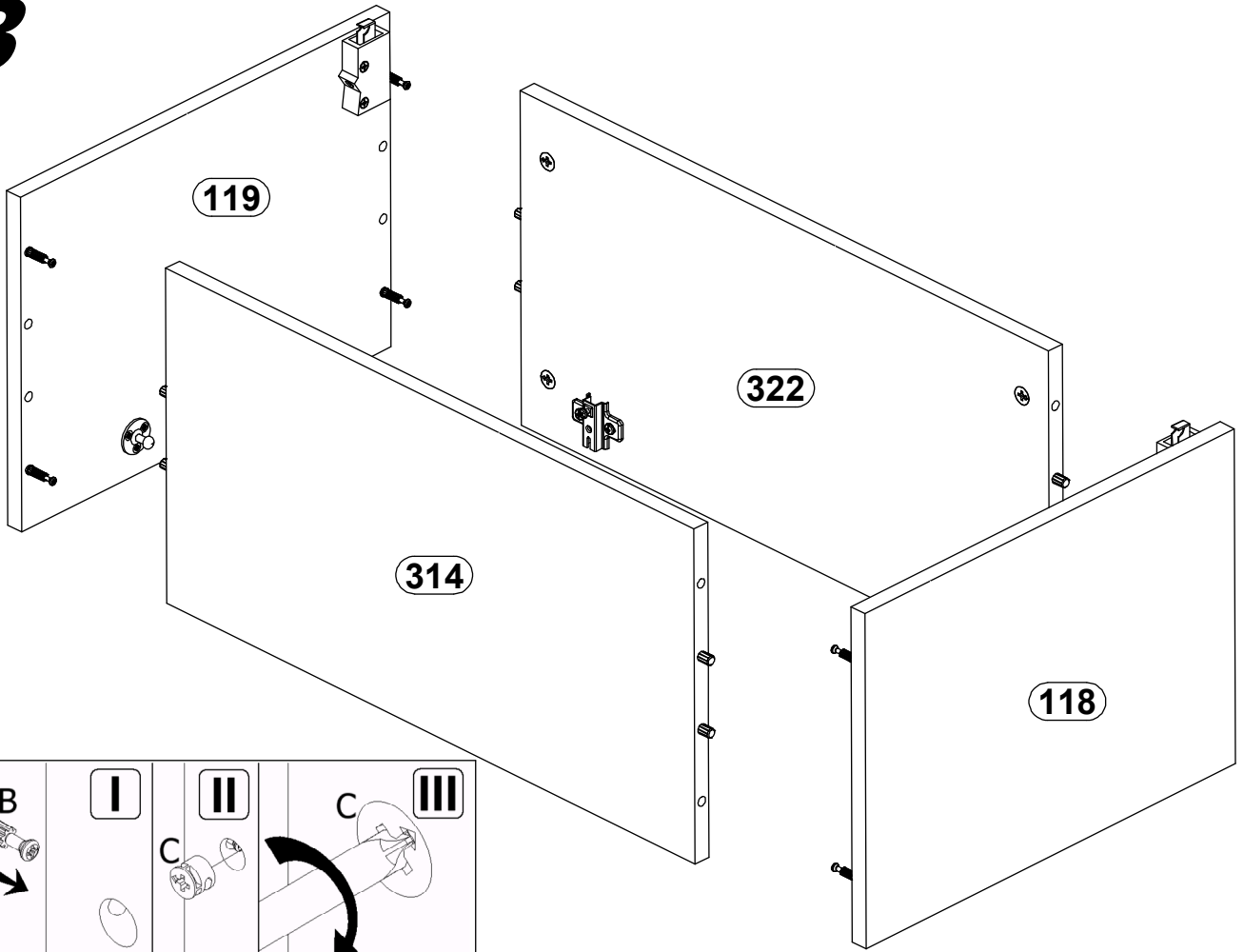
# 1



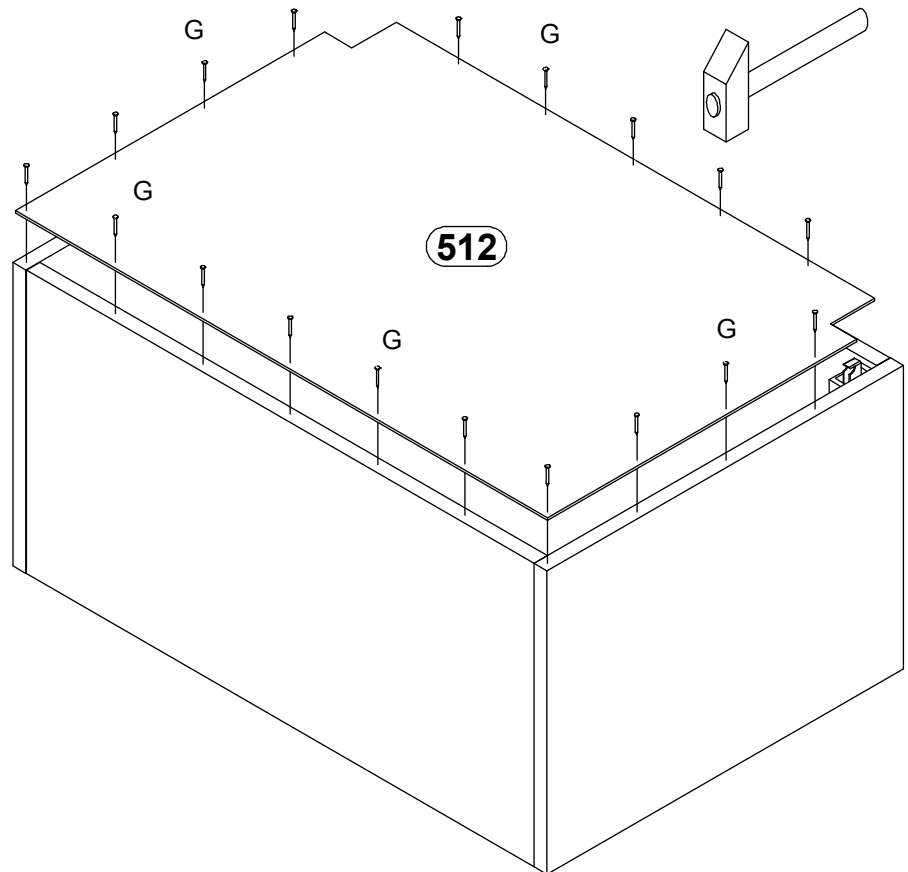
# 2



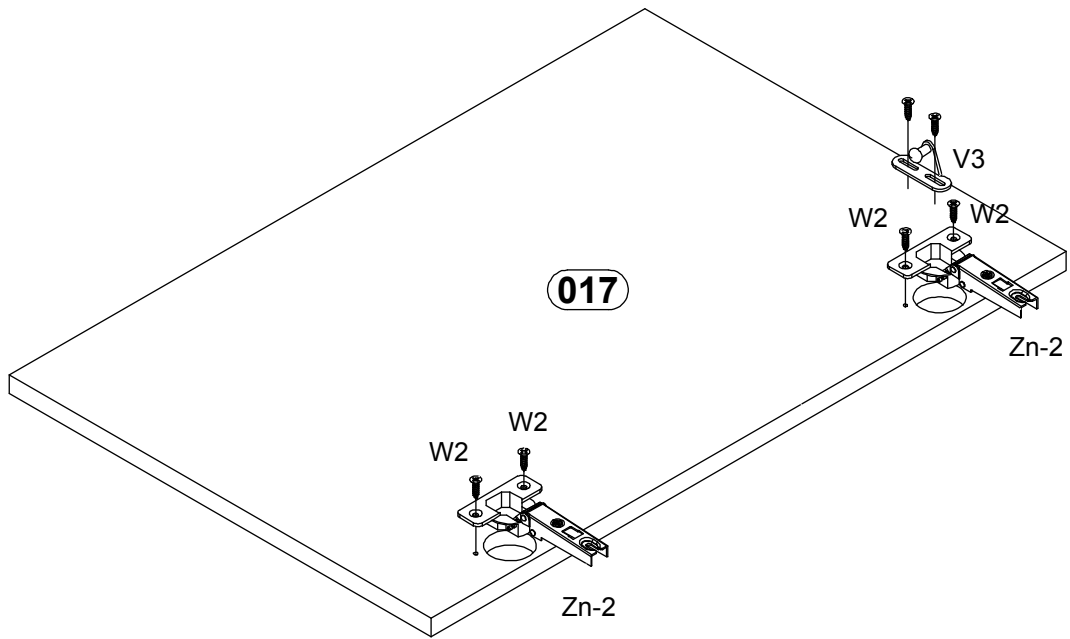
# 3



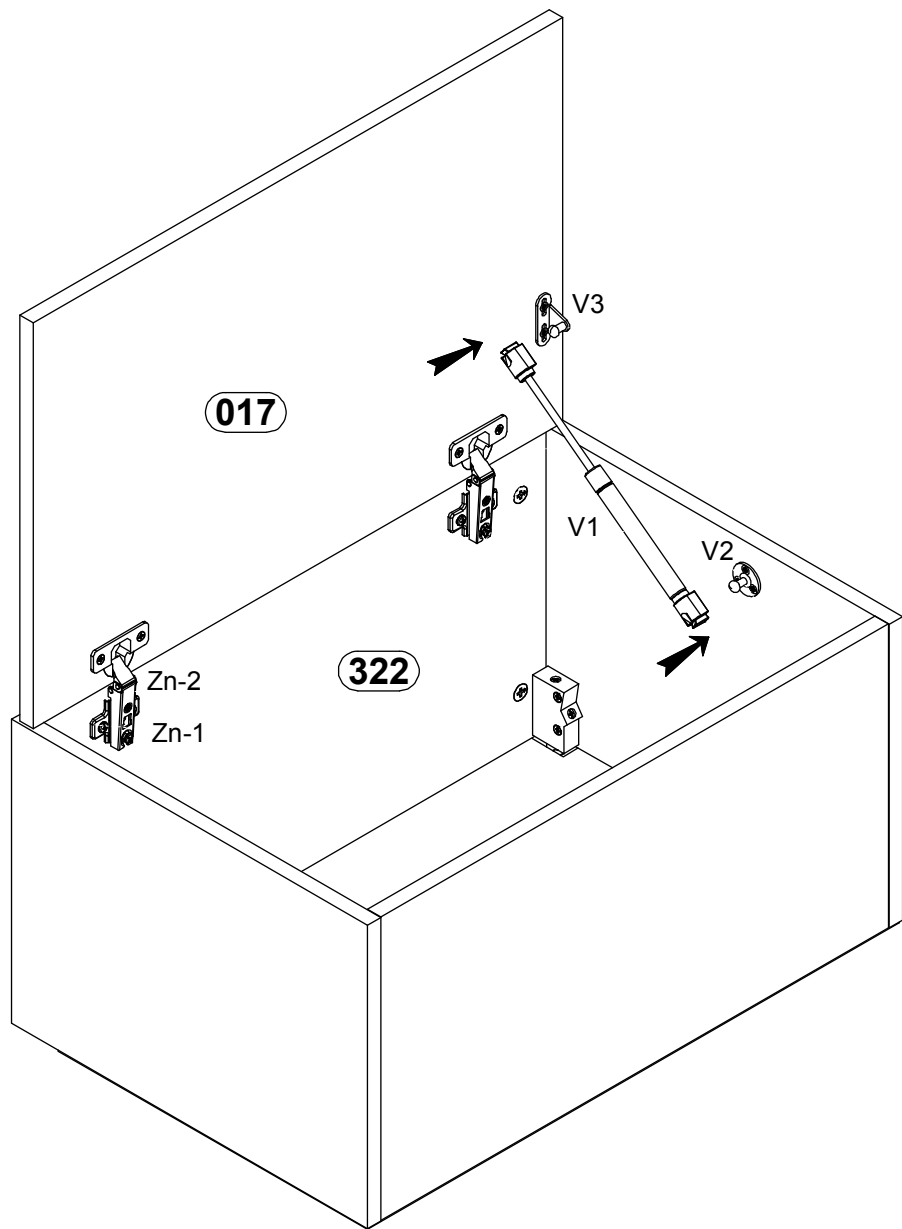
# 4



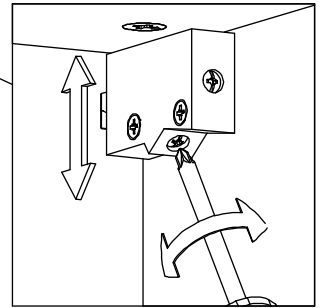
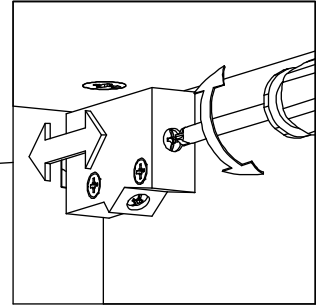
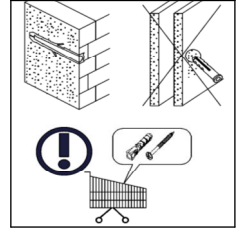
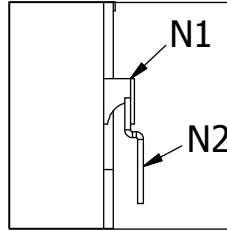
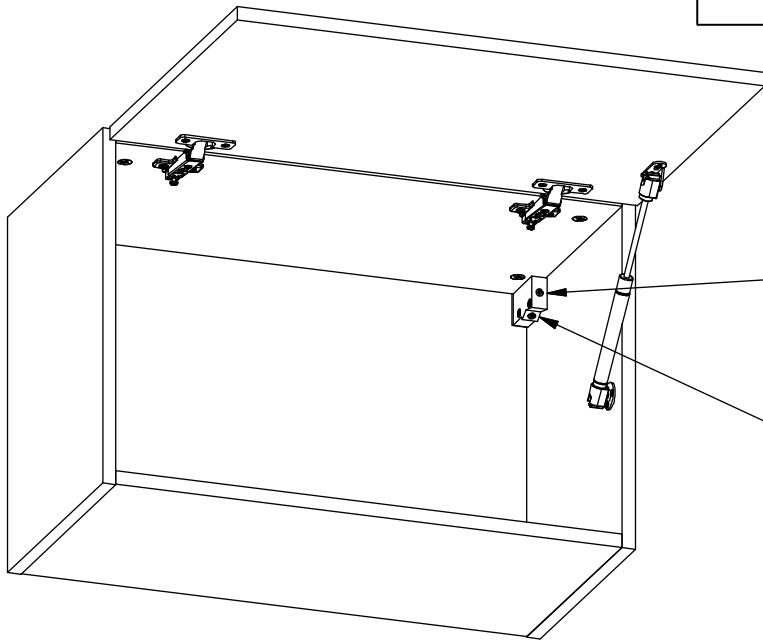
5



6



# 7



# 8

