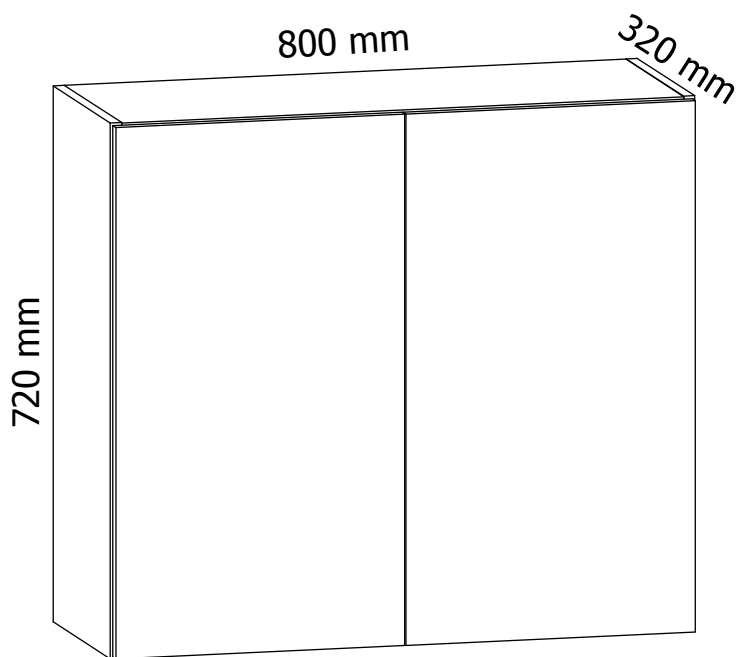
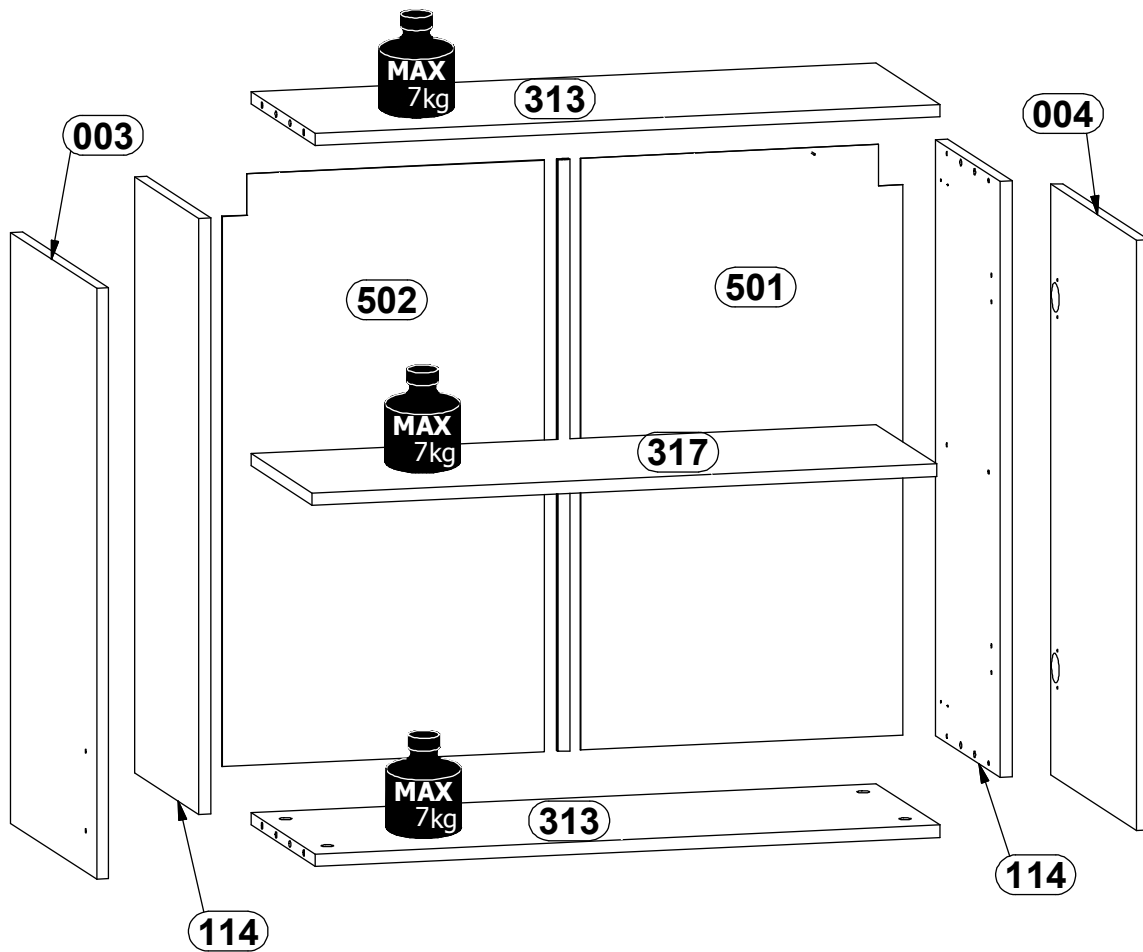
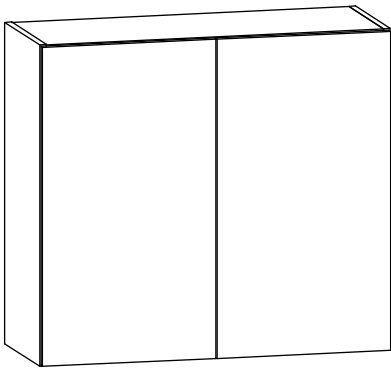
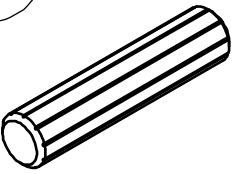
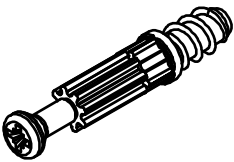
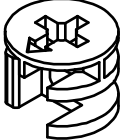
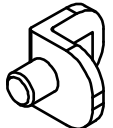
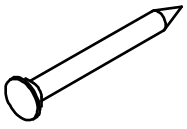
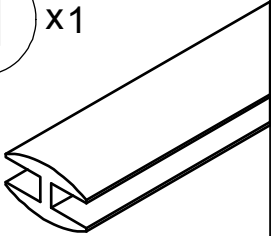
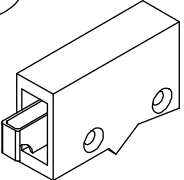
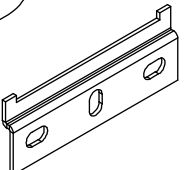

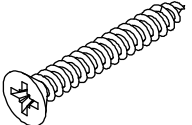
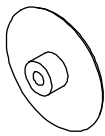
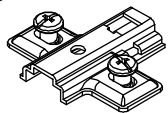
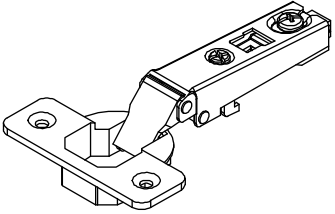


AURORA G80

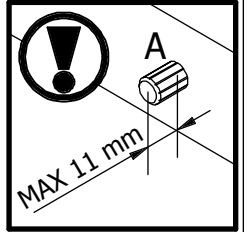
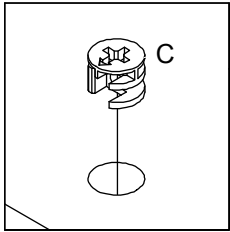
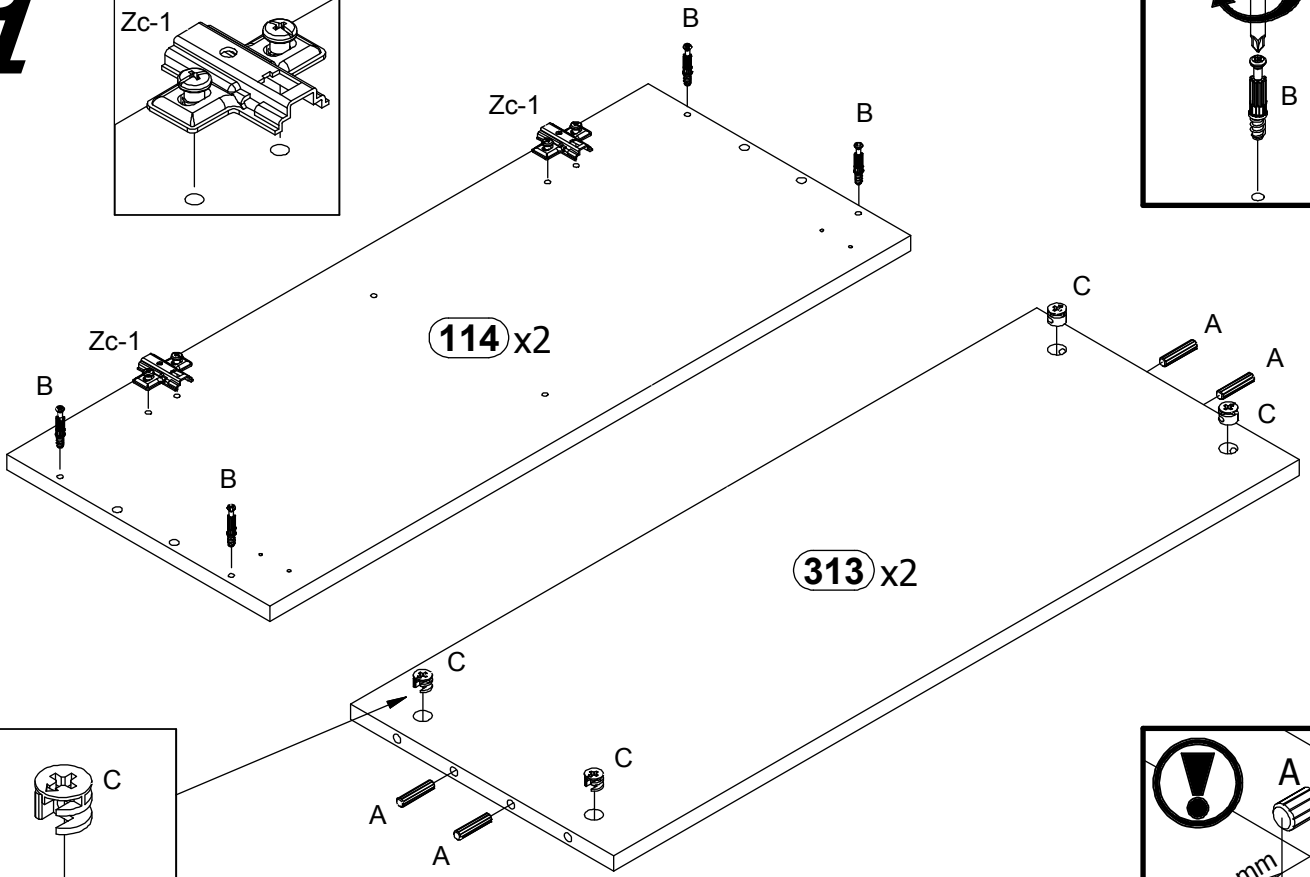
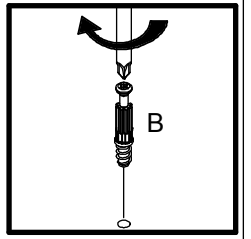
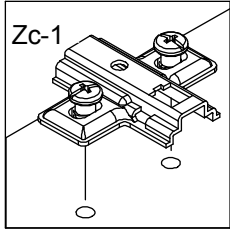


AURORA G80

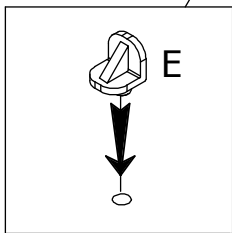
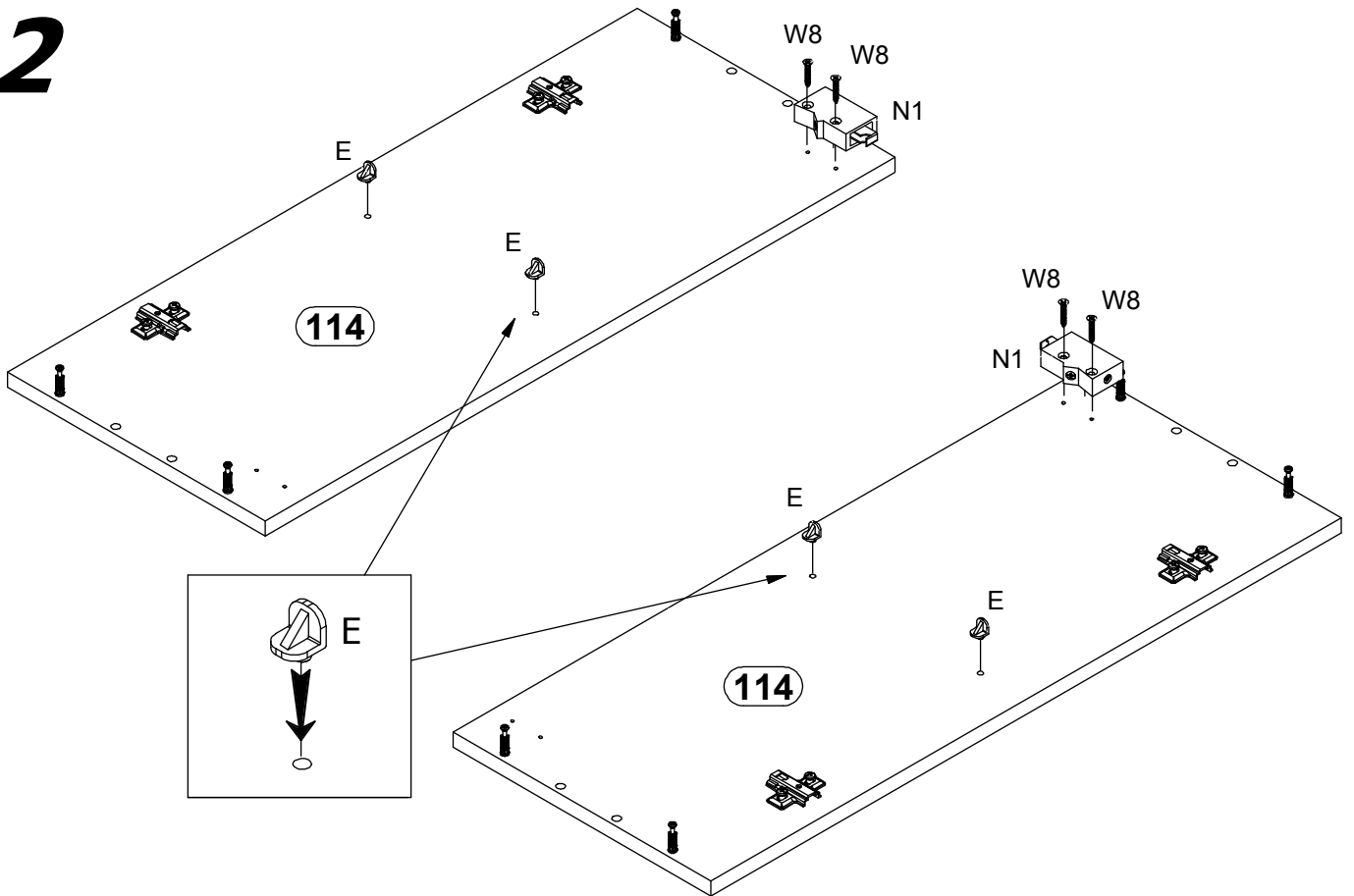


<p>A x8</p>  <p>Ø8x35mm</p>	<p>B x8</p> 	<p>C x8</p>  <p>Ø15x12mm</p>	<p>E x4</p> 
<p>G x30</p> 	<p>H x1</p>  <p>715 mm</p>		<p>N1 x2</p> 
<p>N2 x2</p> 	<p>W2 x8</p>  <p>Ø3,5x16</p>	<p>W8 x4</p>  <p>Ø4x30mm</p>	<p>Y x8</p>  <p>Ø18 mm</p>
<p>Zc x4</p>  <p>Zc-1</p>  <p>Zc-2</p>			

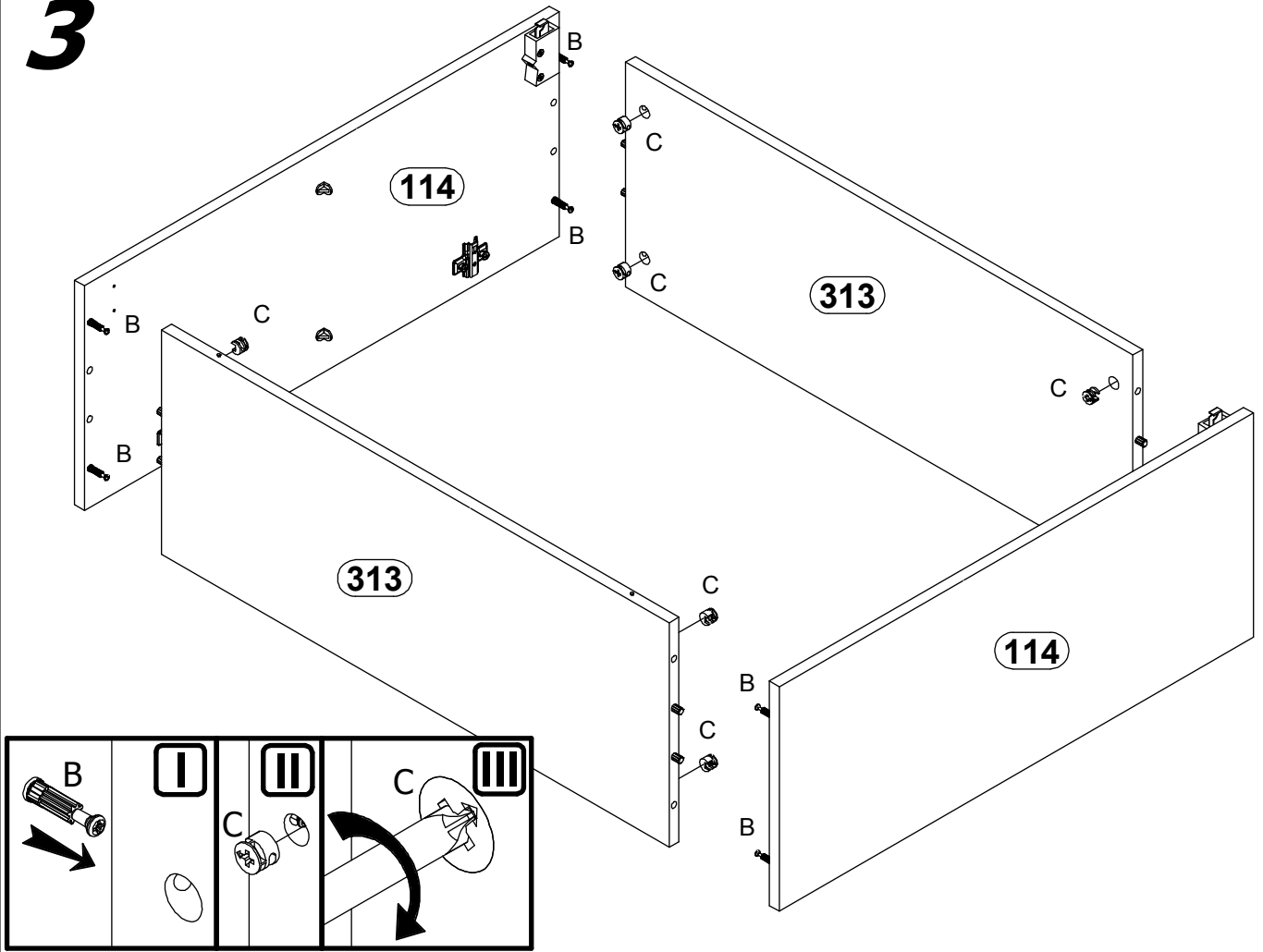
1



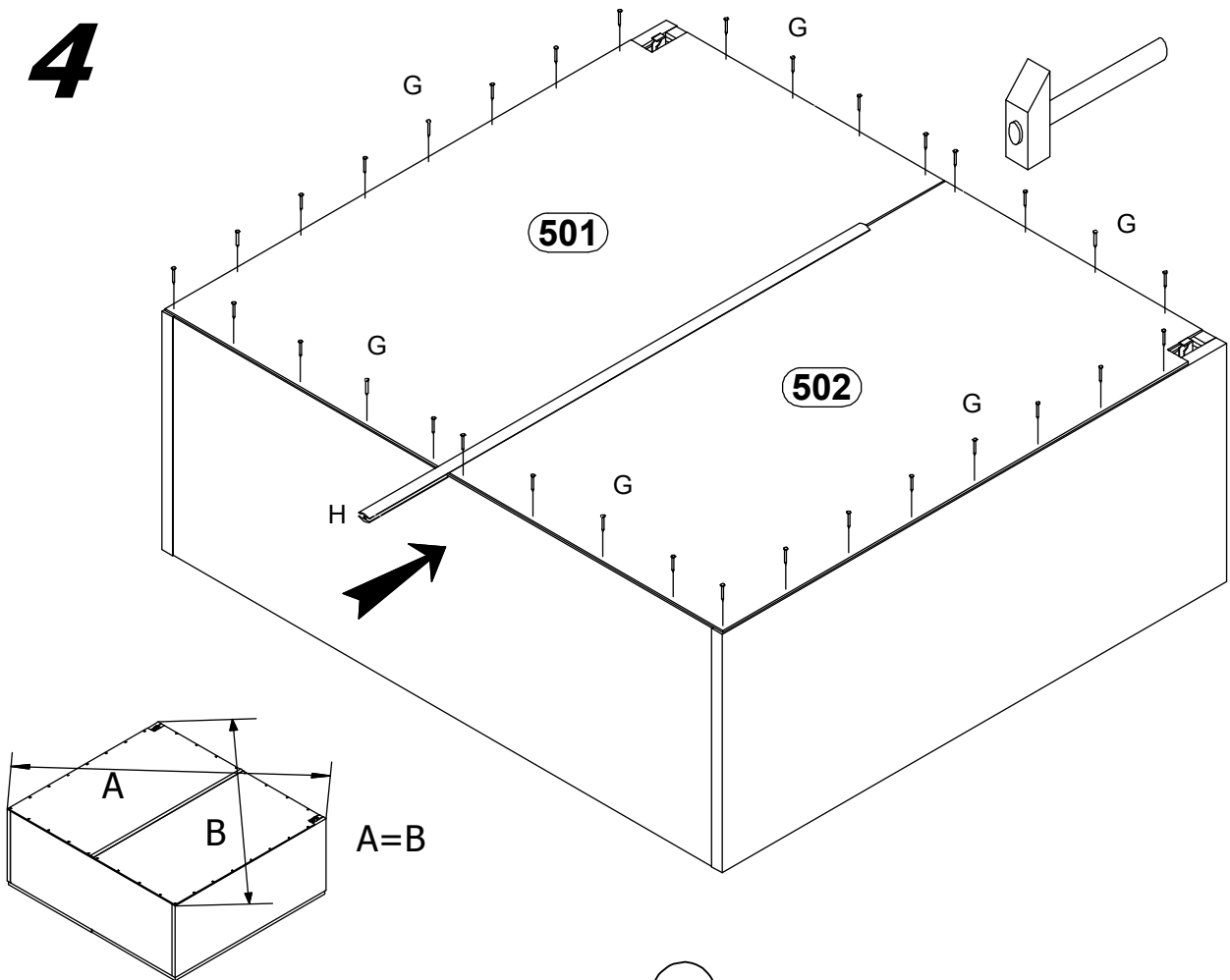
2



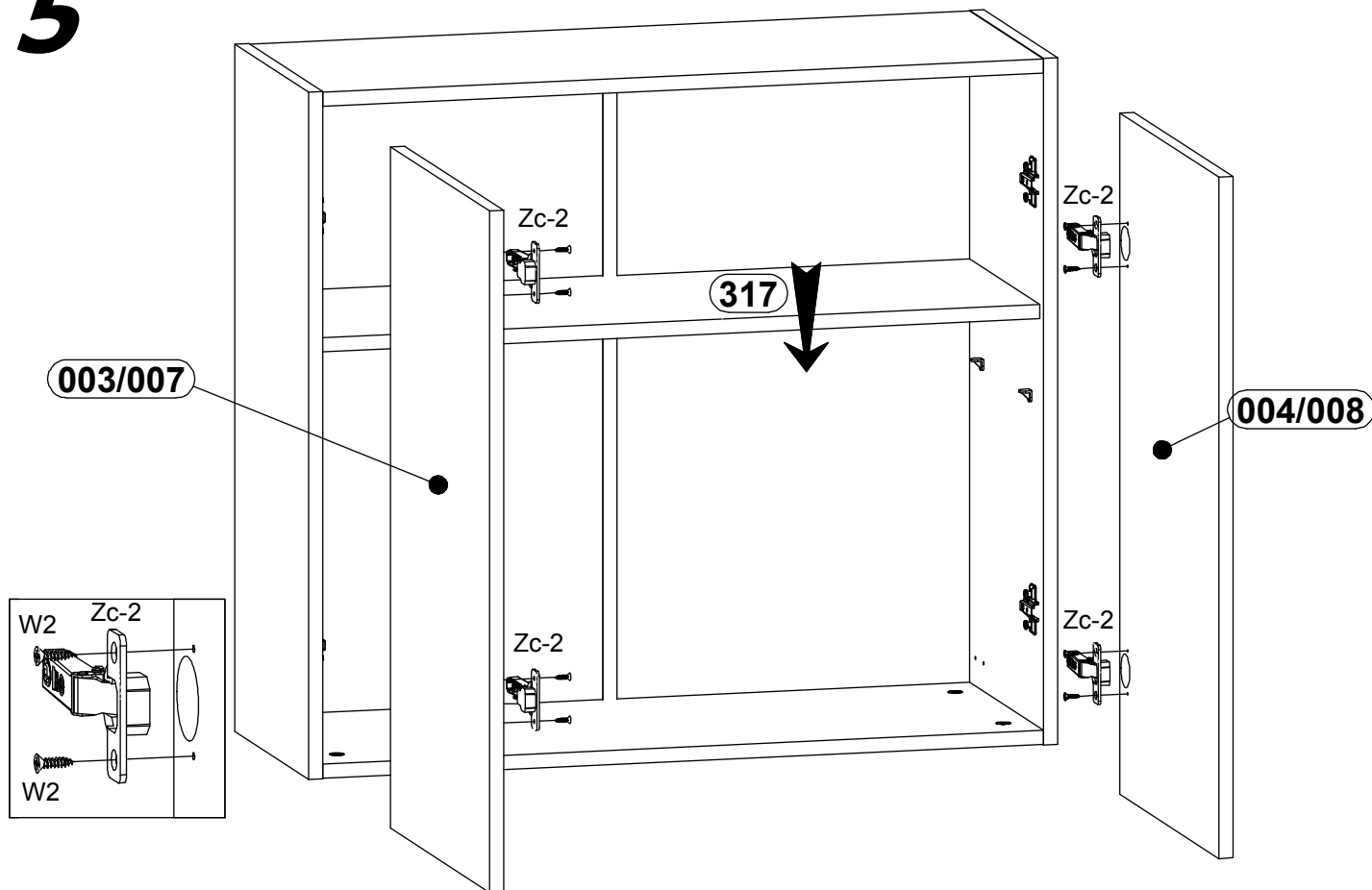
3



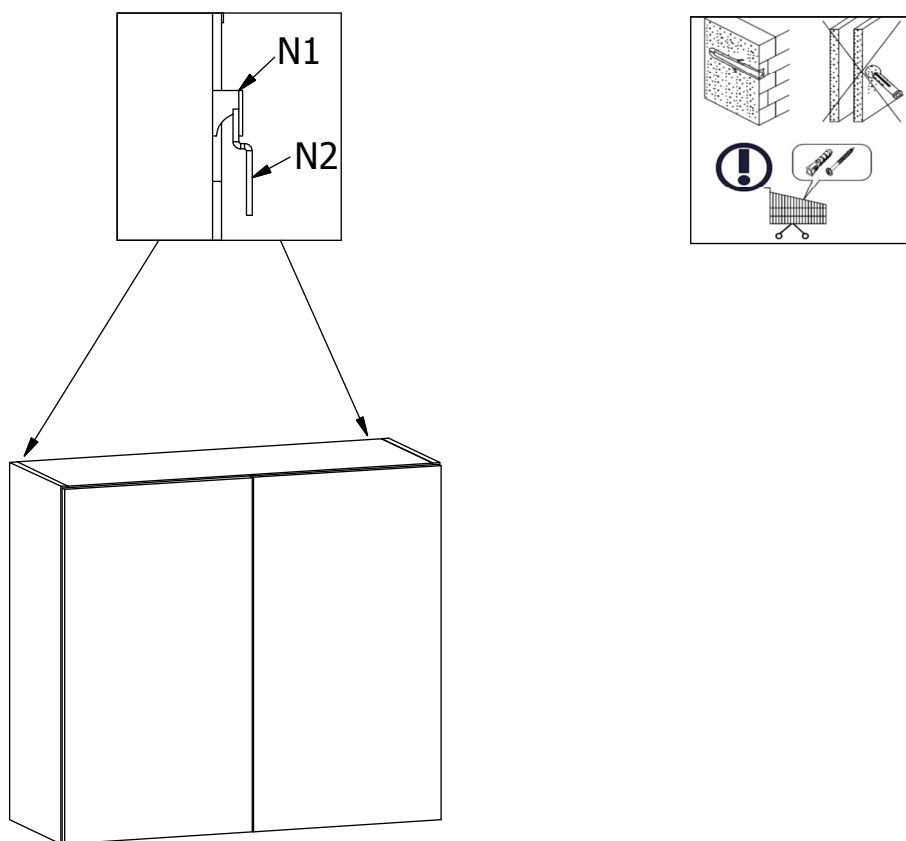
4



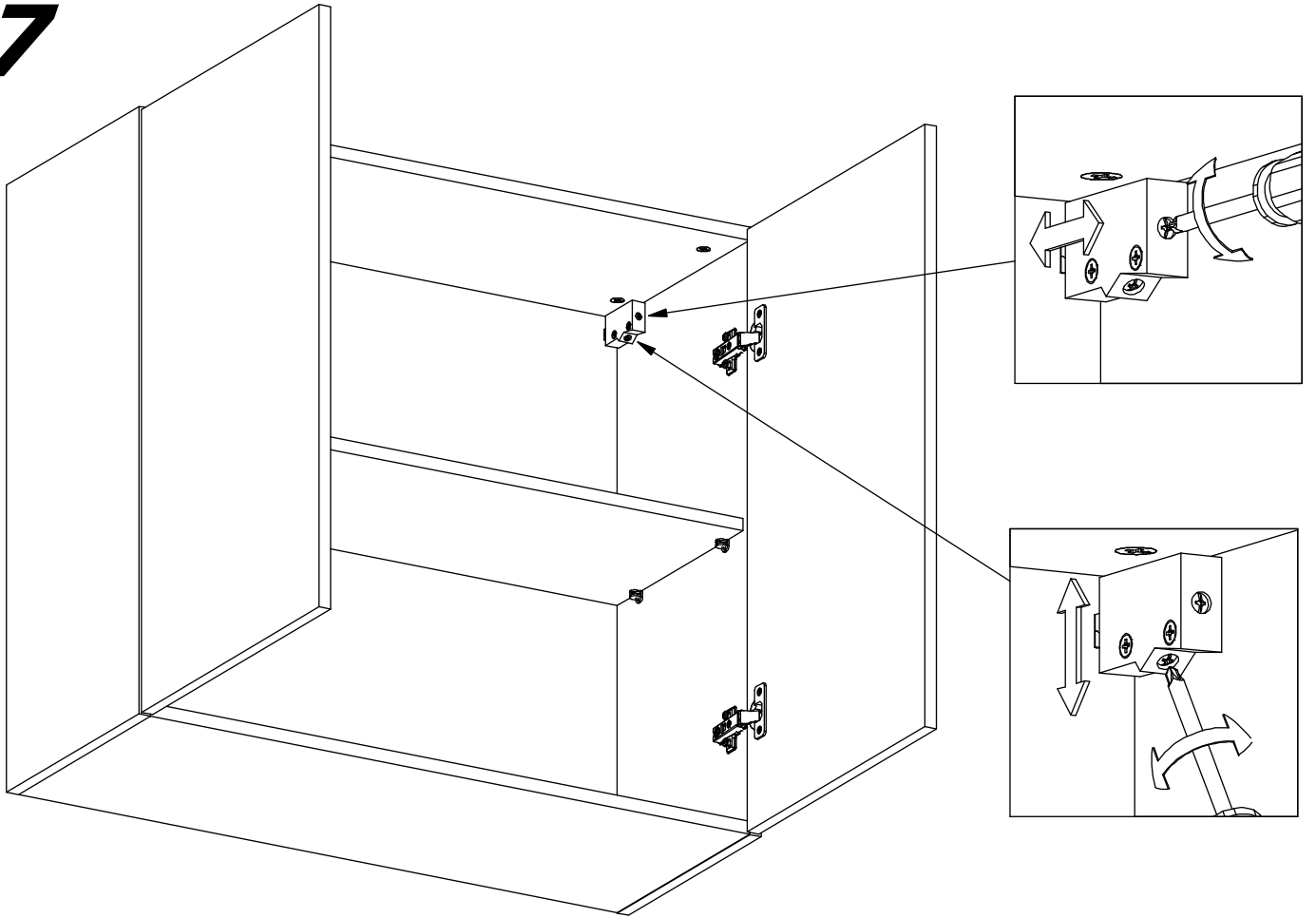
5



6



7



8

