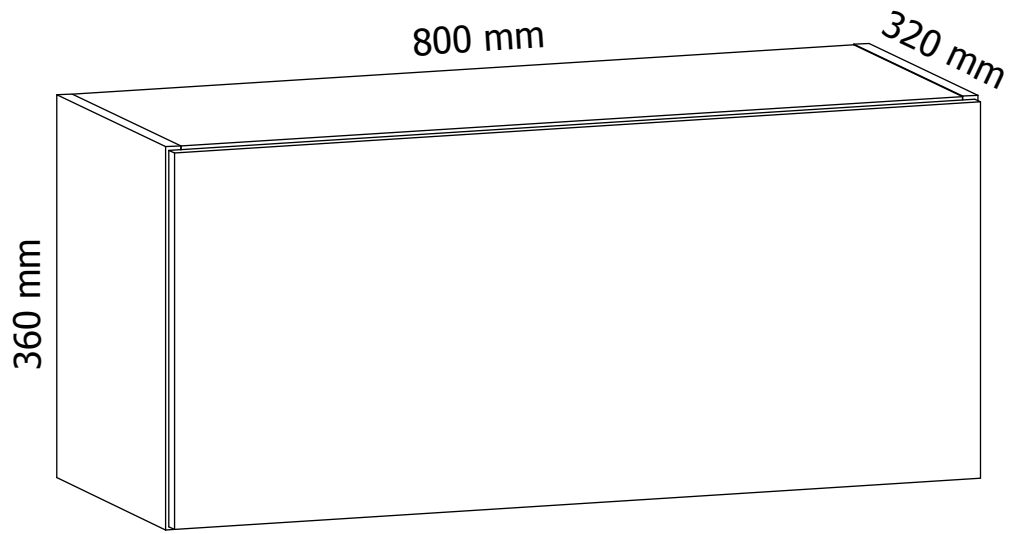
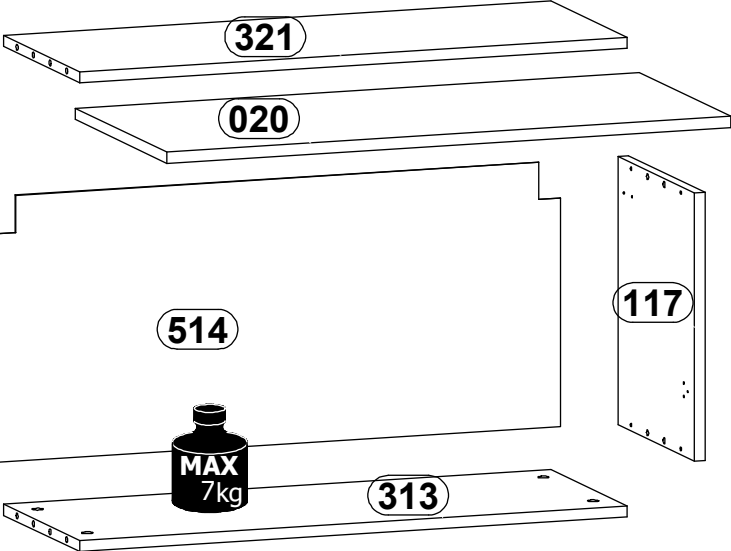
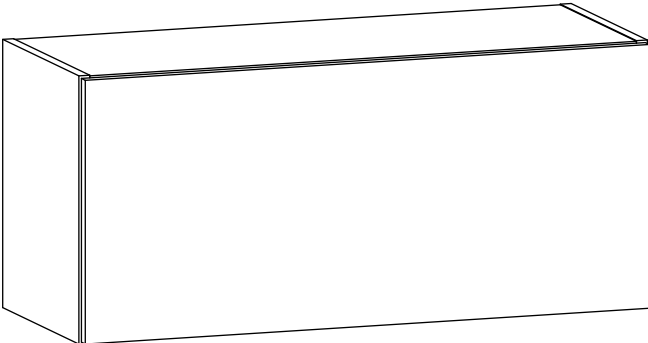
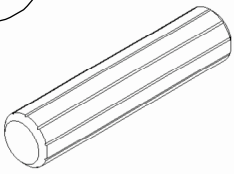
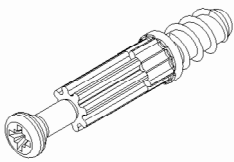
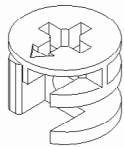
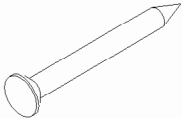
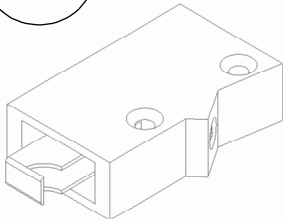
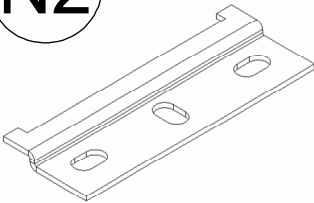
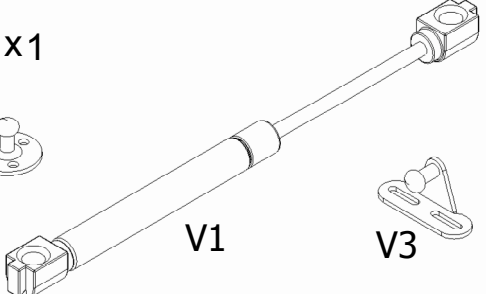


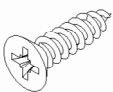
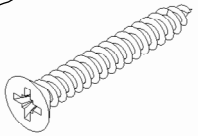

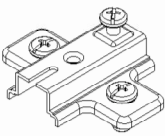
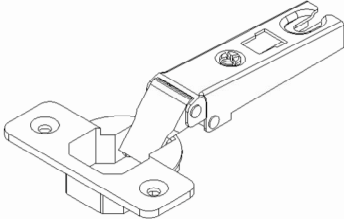


AURORA G80K

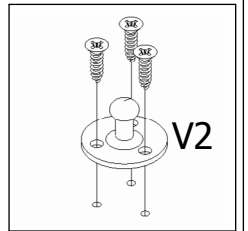
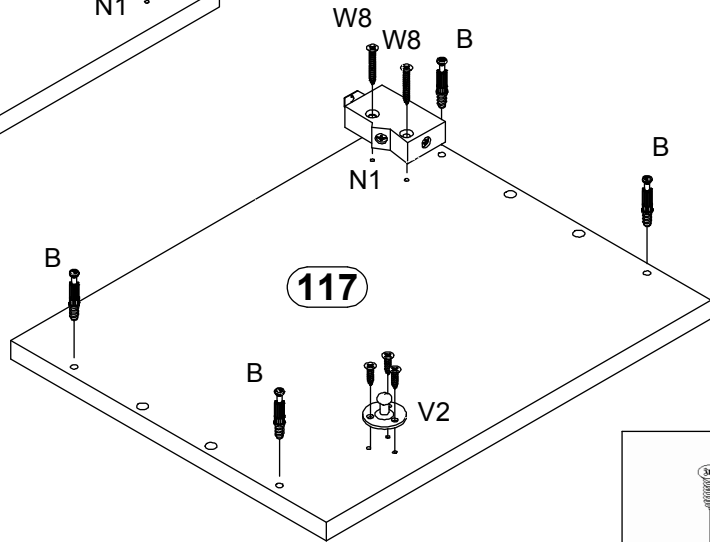
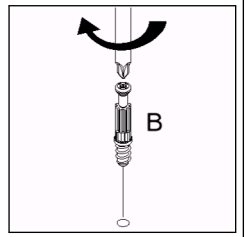
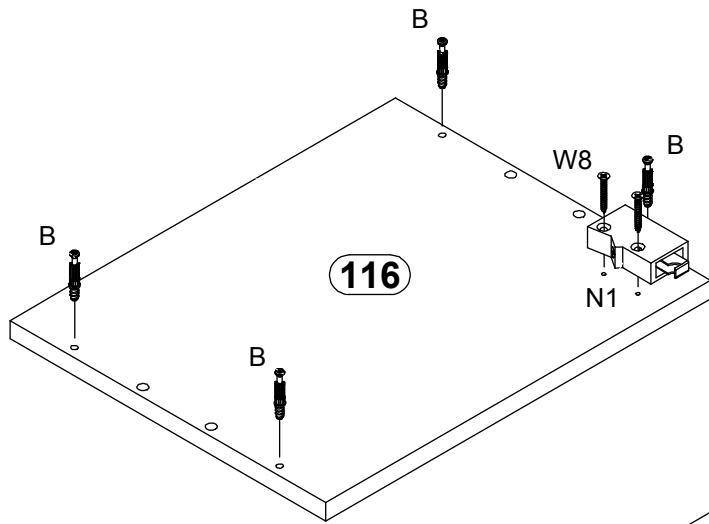


AURORA G80K

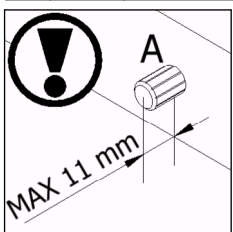
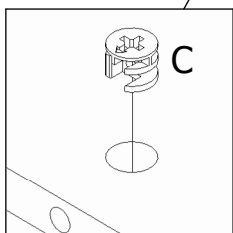
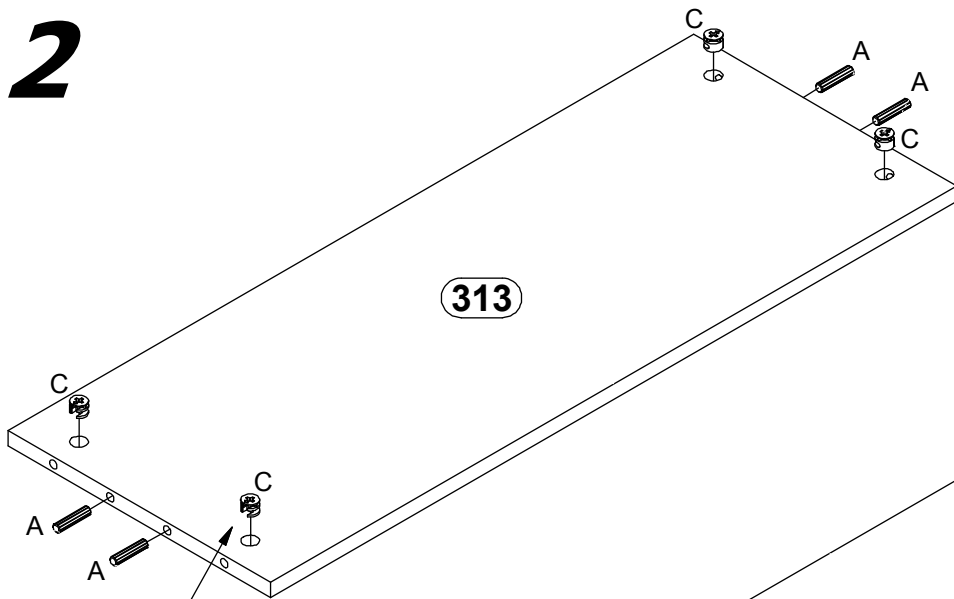


<p>A x8</p>  <p>Ø8x35mm</p>	<p>B x8</p> 	<p>C x8</p>  <p>Ø15x12mm</p>	<p>G x23</p> 
	<p>N1 x2</p> 	<p>N2 x2</p> 	
<p>V x1</p>  <p>V1</p> <p>V2</p>  <p>V3</p> 	<p>W2 x4</p>  <p>Ø3,5x16mm</p>	<p>W8 x4</p>  <p>Ø4x30mm</p>	
<p>Y x8</p>  <p>Ø18 mm</p>	<p>Zn x2</p>  <p>Zn-1</p>  <p>Zn-2</p>		

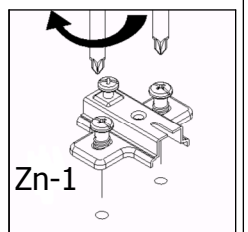
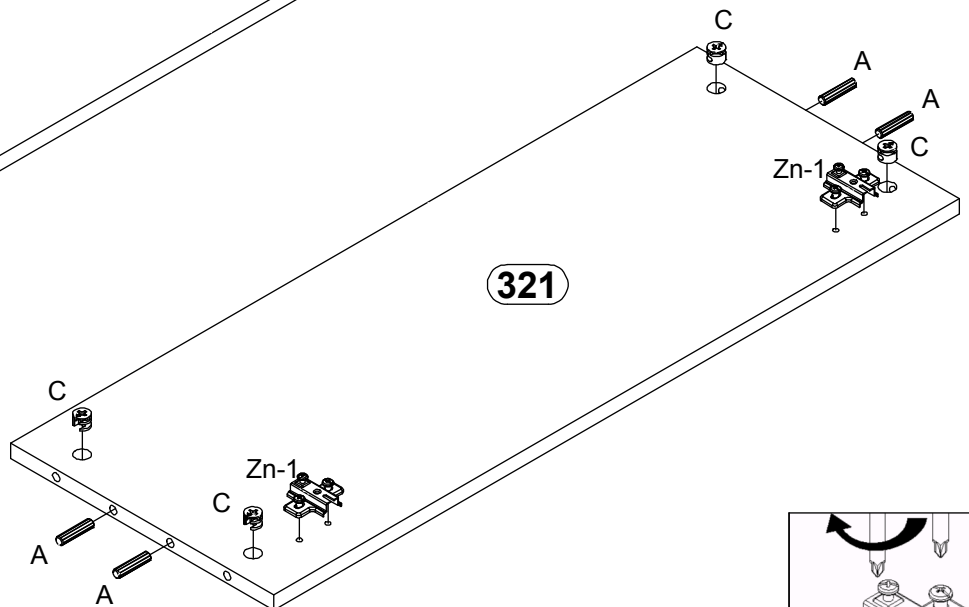
1



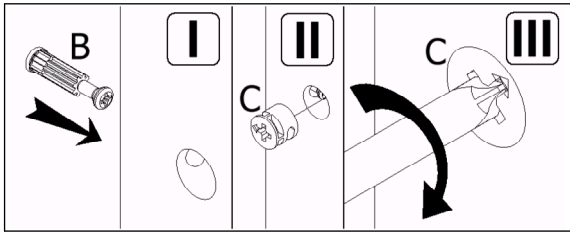
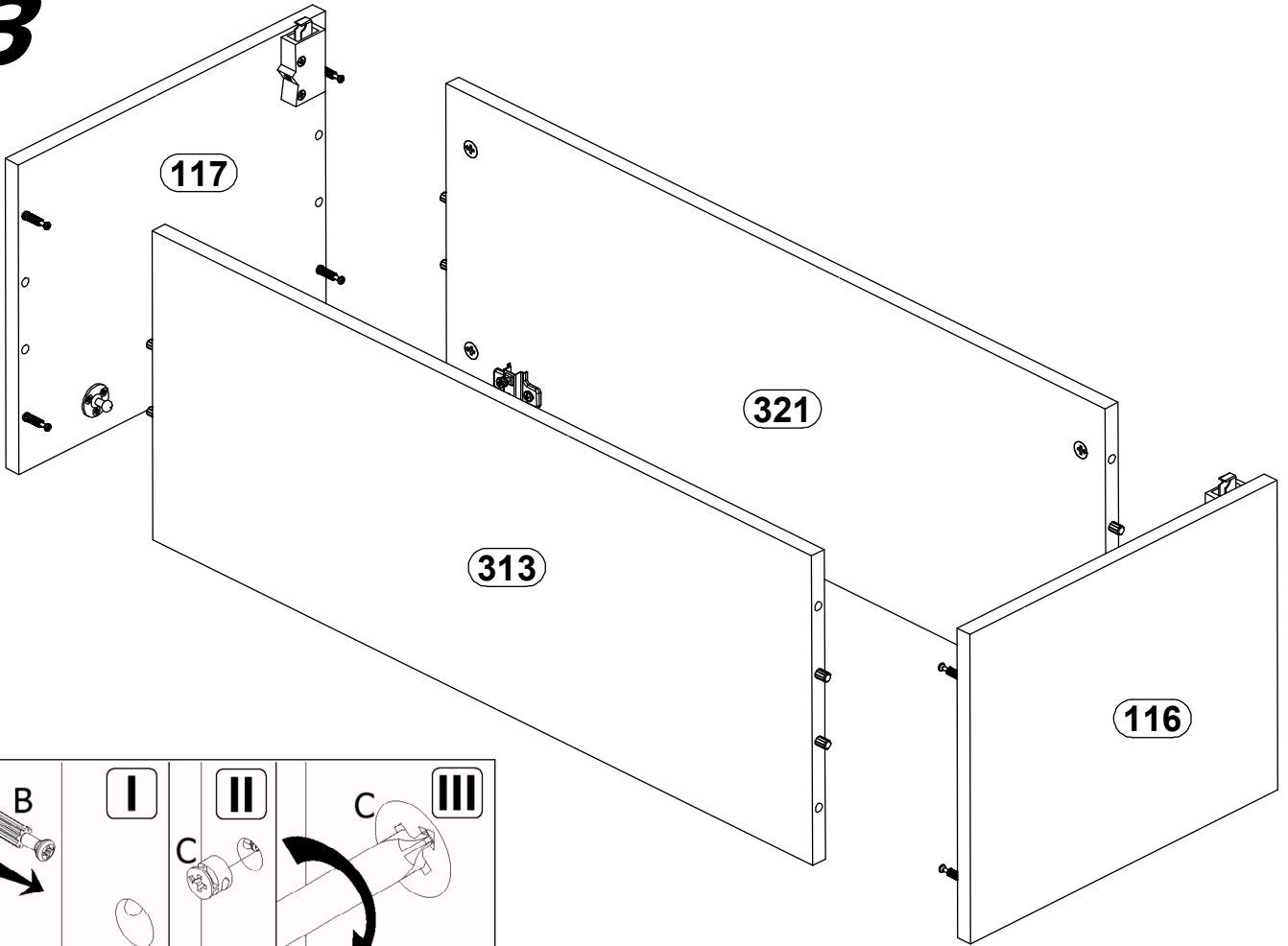
2



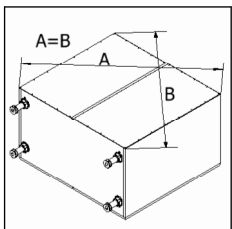
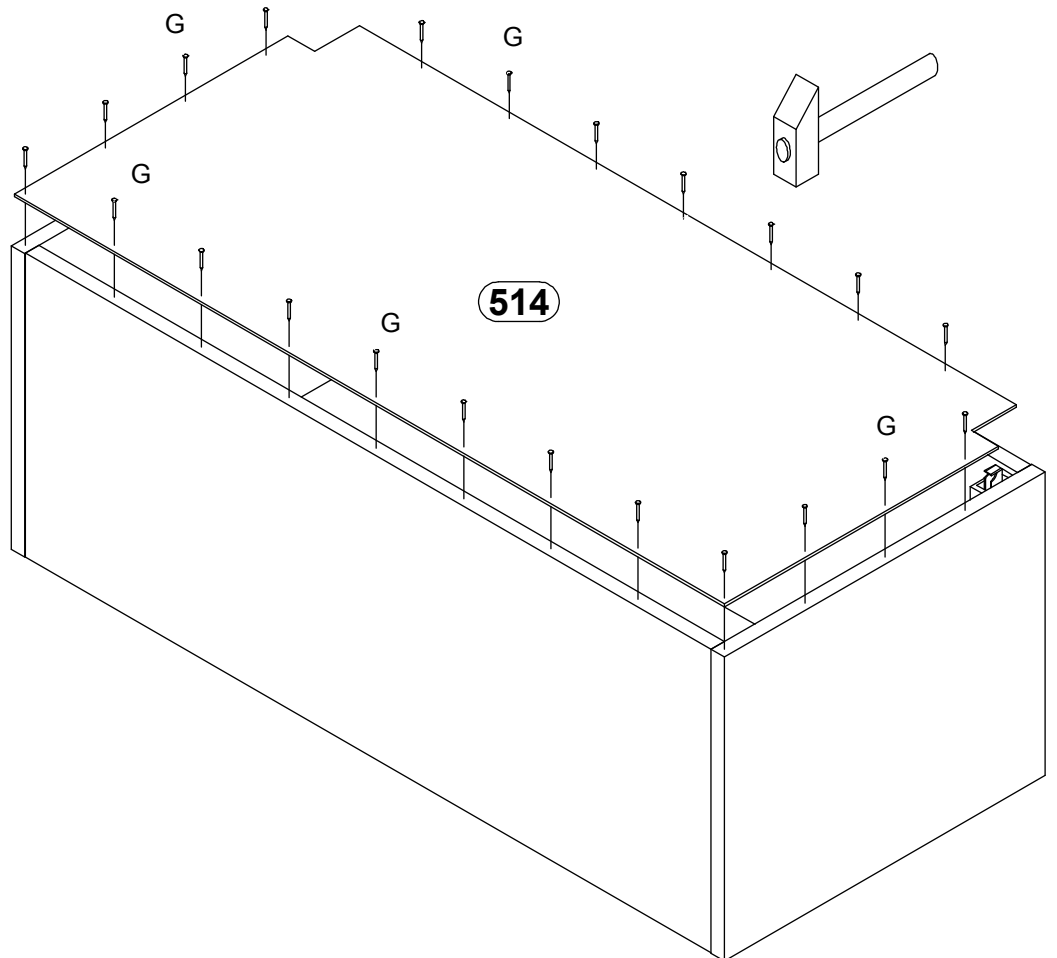
321



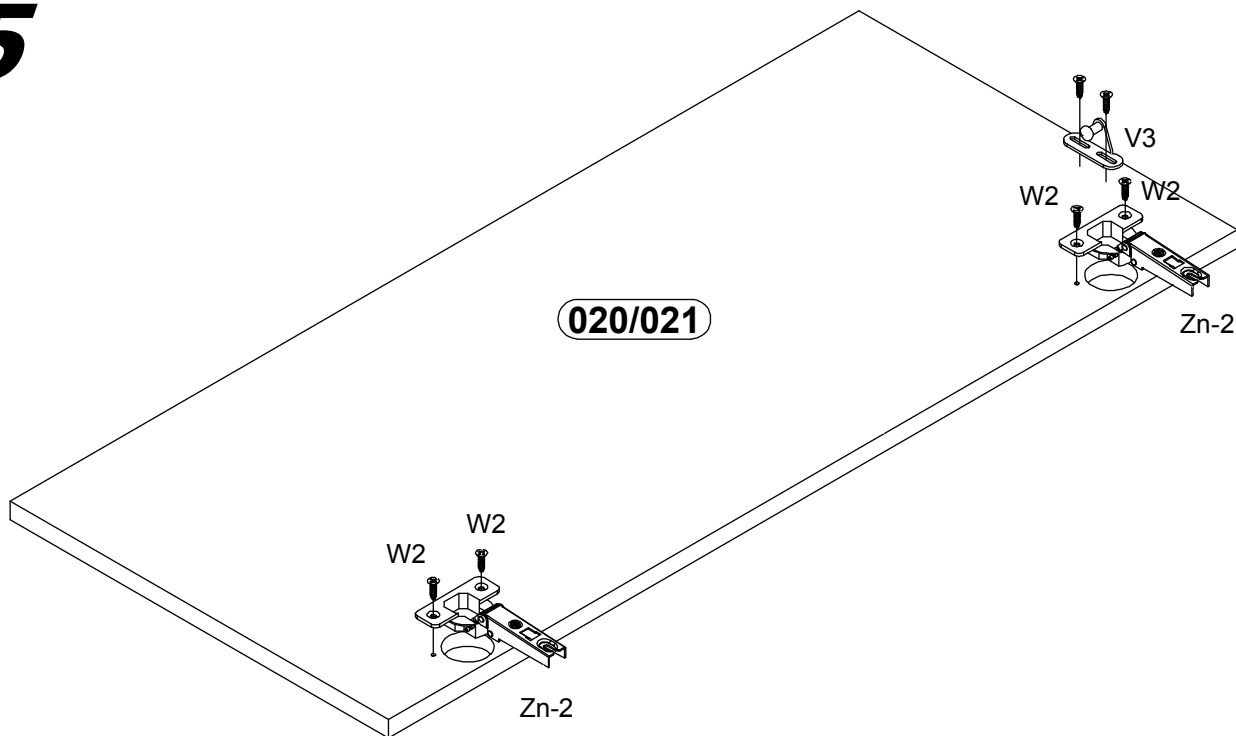
3



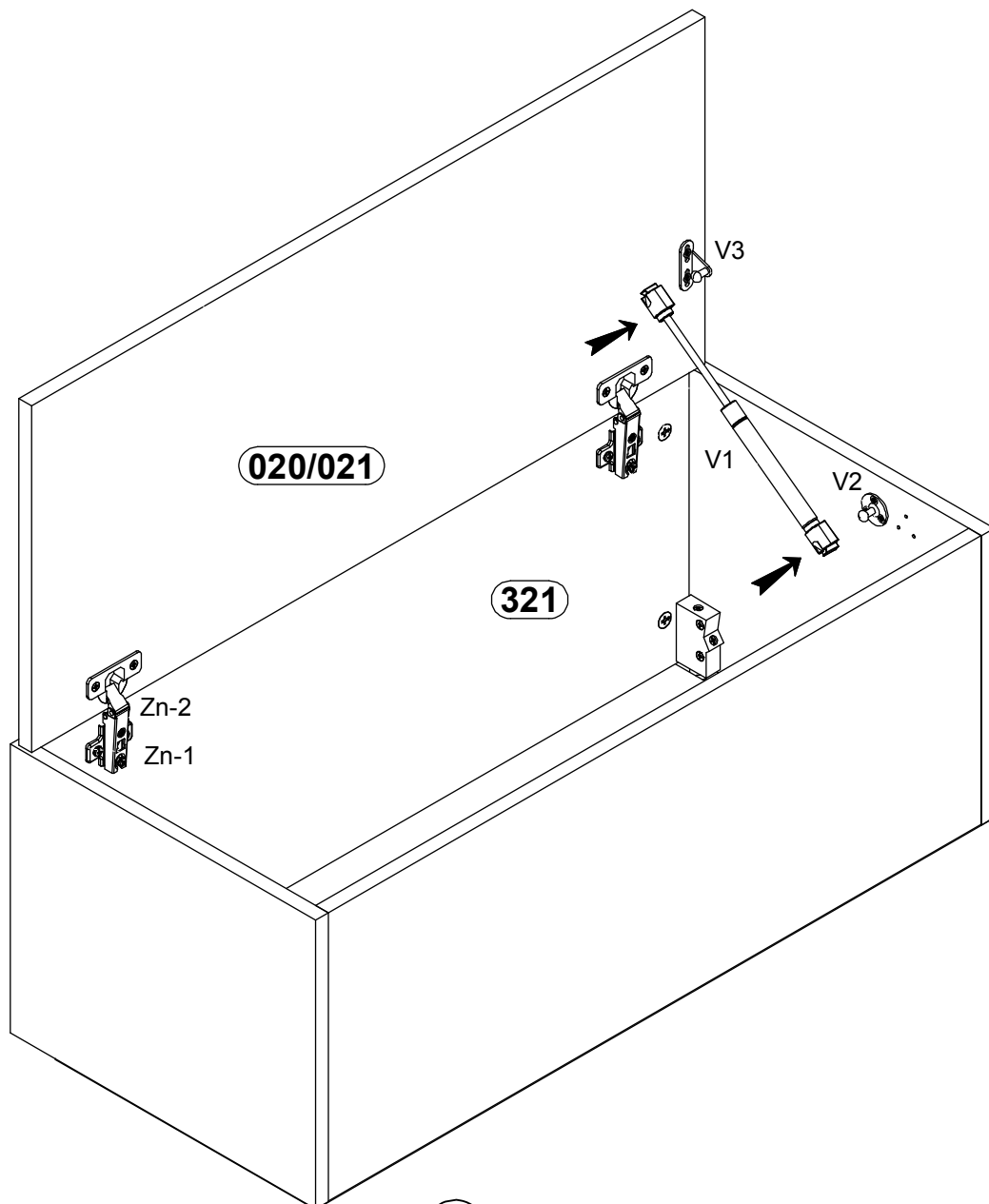
4



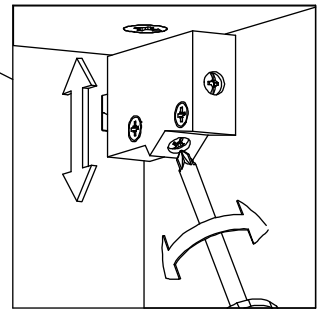
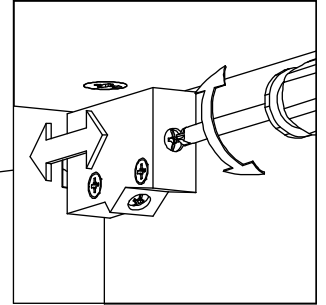
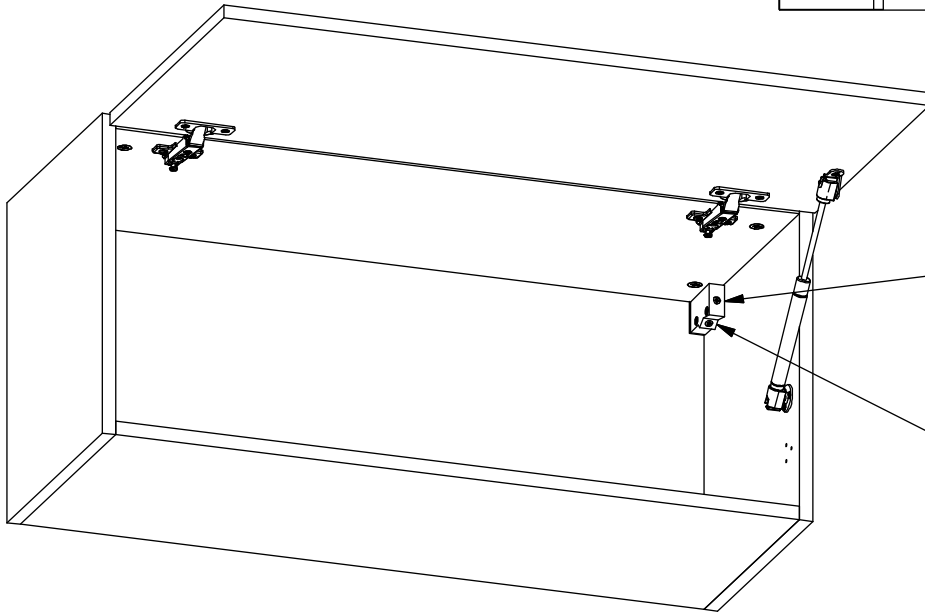
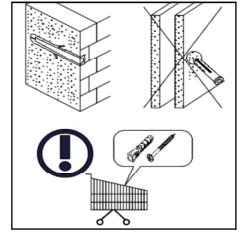
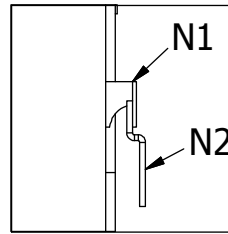
5



6



7



8

