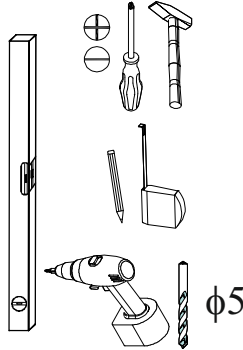
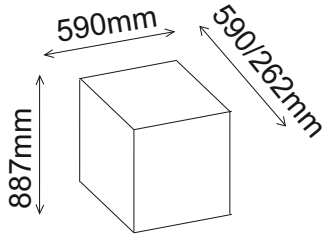
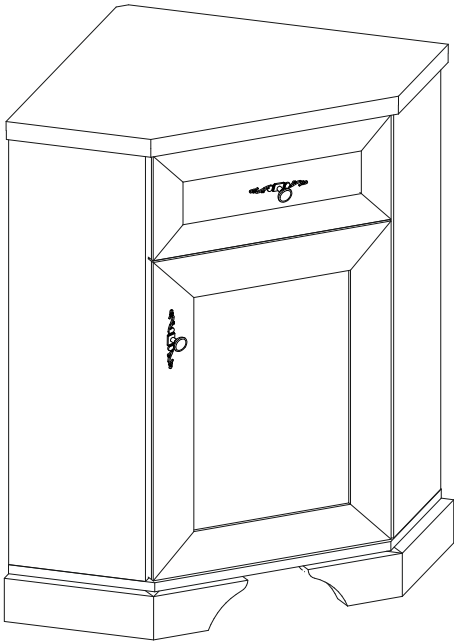
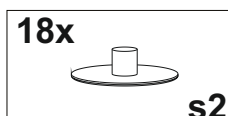
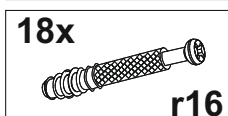
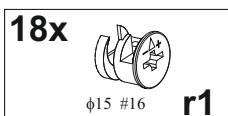
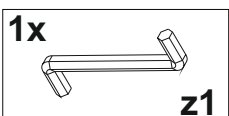
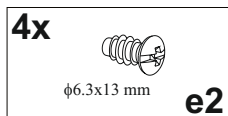
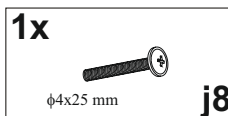
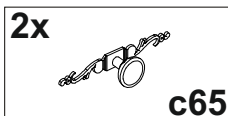
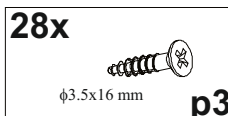
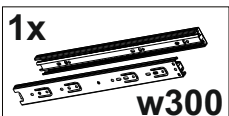
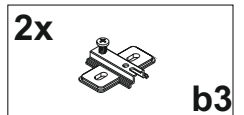
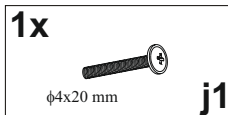
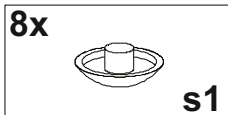
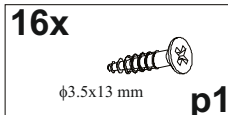
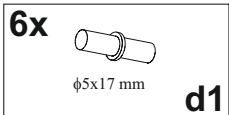
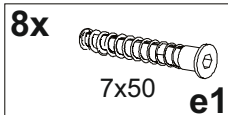
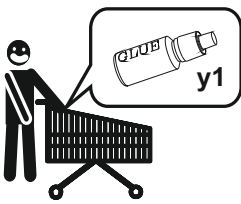
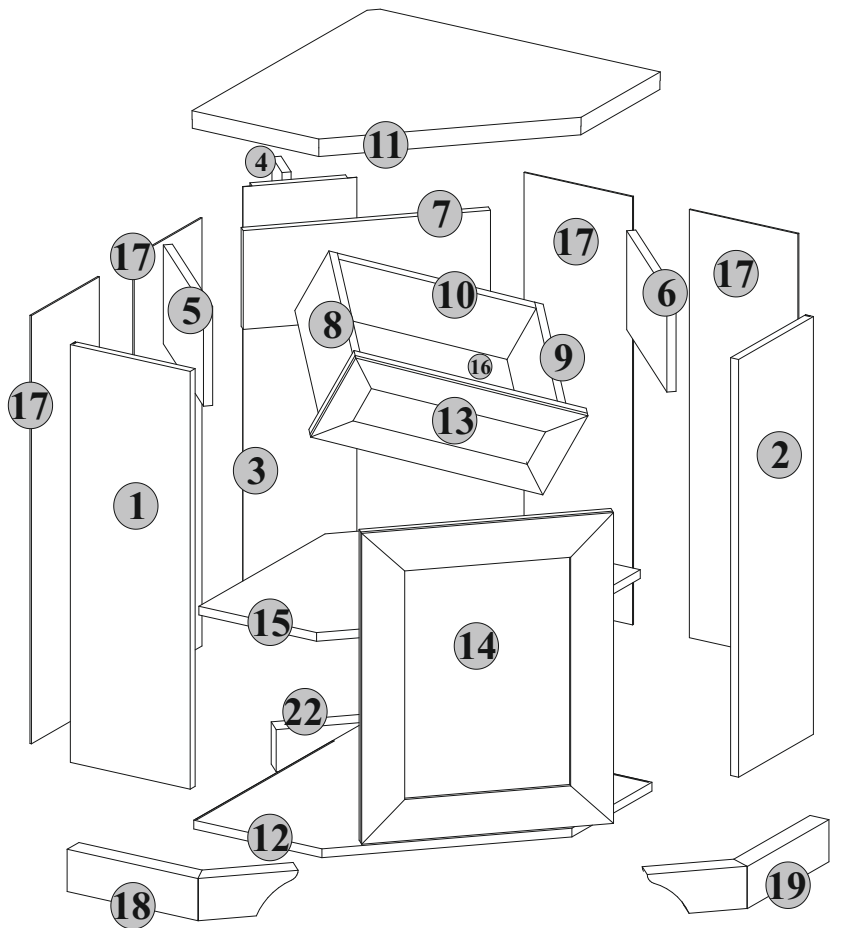


L/P

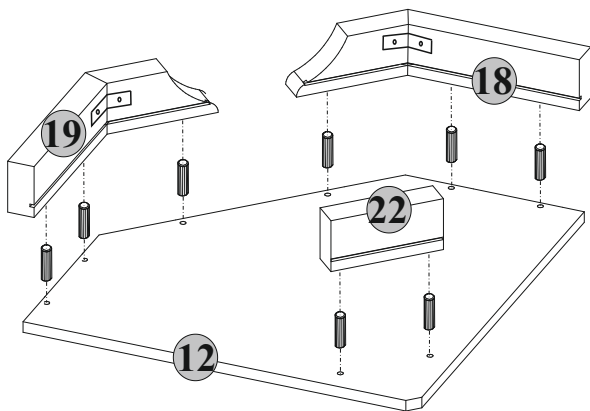


number	Measurements	Pcs.
1	762x240	1
2	762x240	1
3	762x199	1
4	762x76	1
5	180x304	1
6	180x304	1
7	180x432	1
8	300x140	1
9	300x140	1
10	374x140	1
11	578x578	1

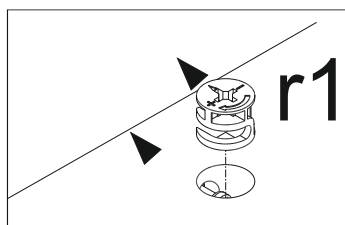
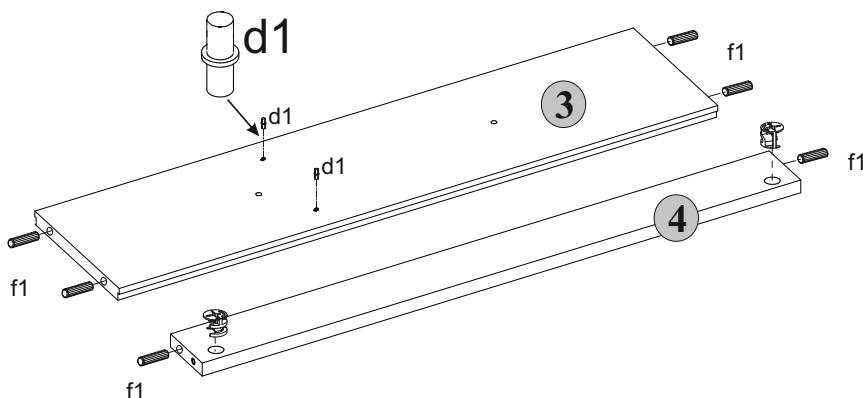
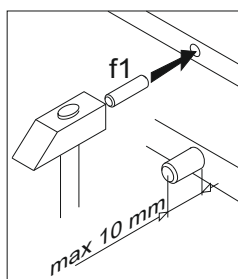
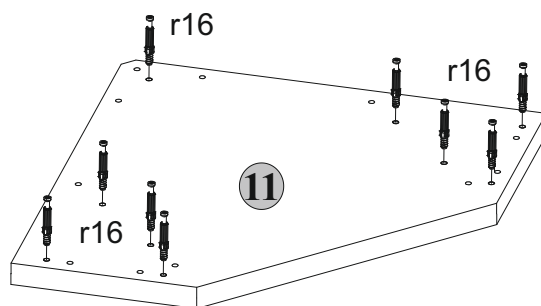
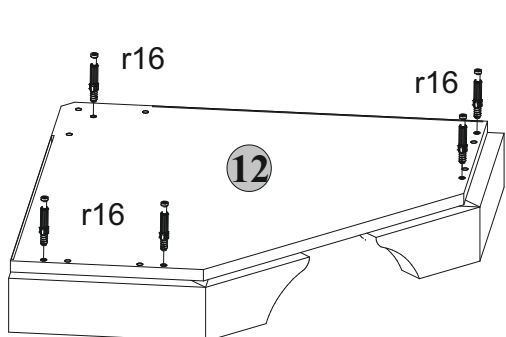
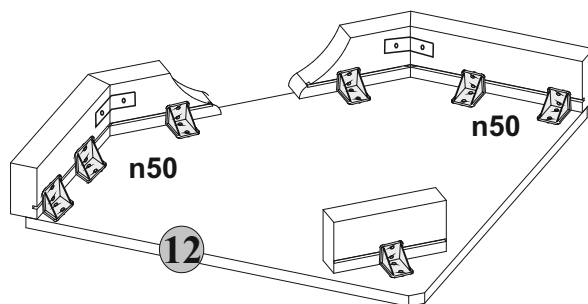
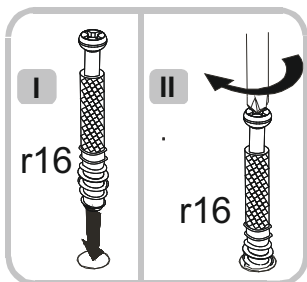
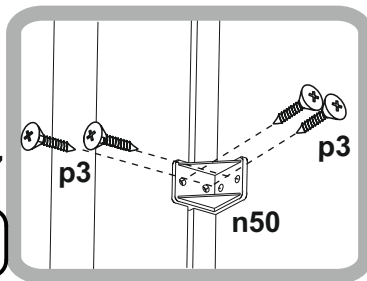
12	566x566	1
13	186x440	1
14	567x440	1
15	545x545	1
16	384x294	1
17	781x218	4
18	263x174x77	1
19	263x174x77	1
22	160x77	1
23	762x	2



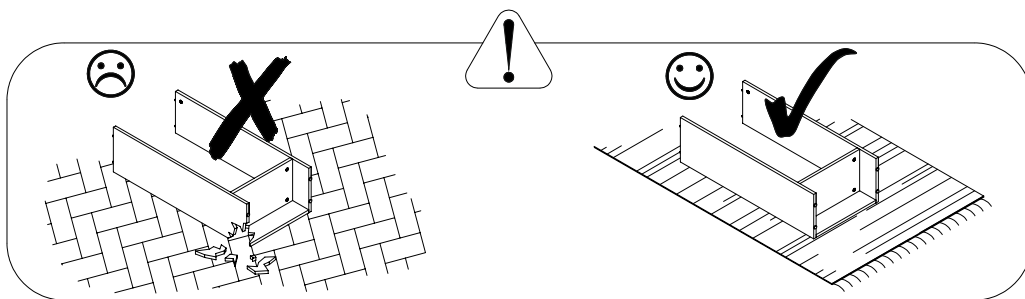
I



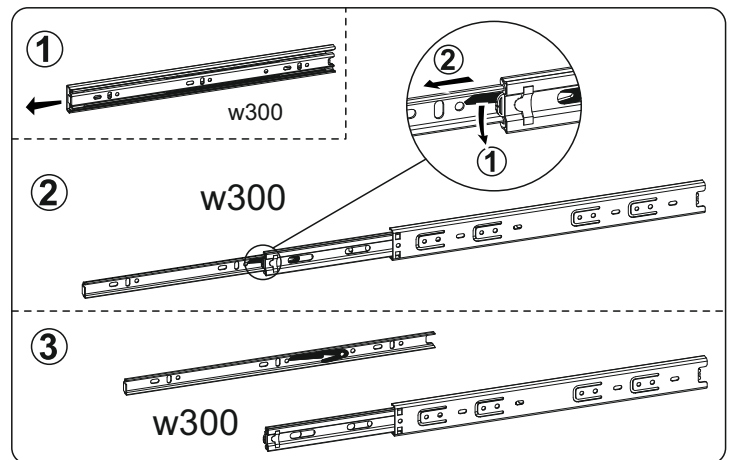
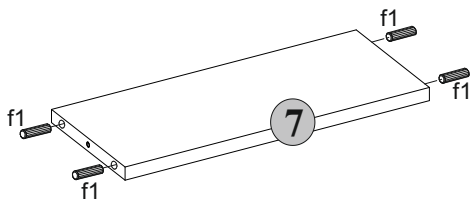
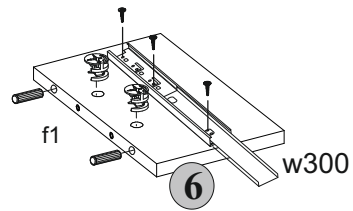
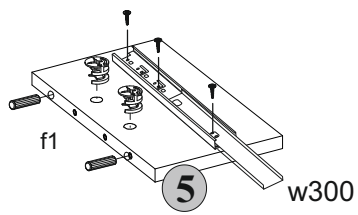
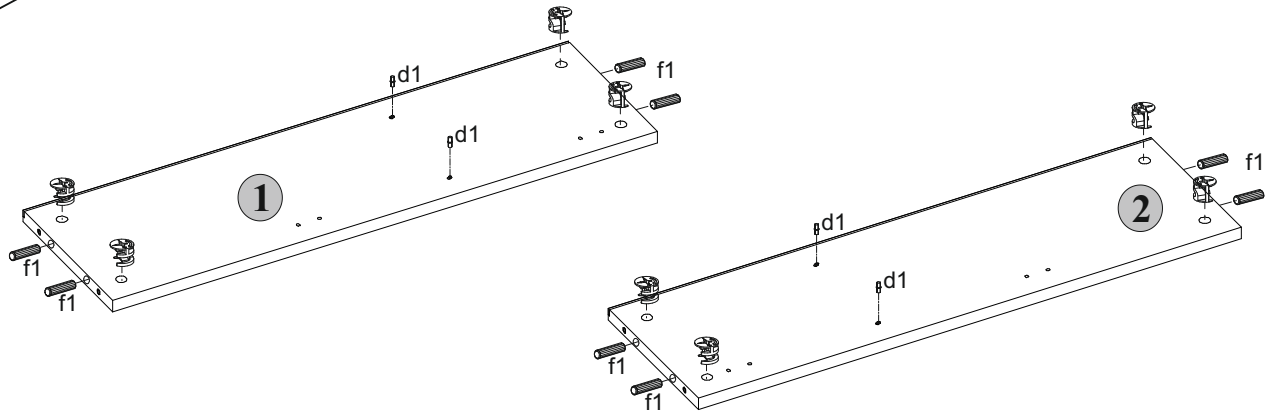
x7



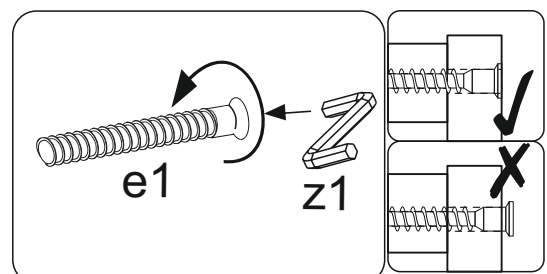
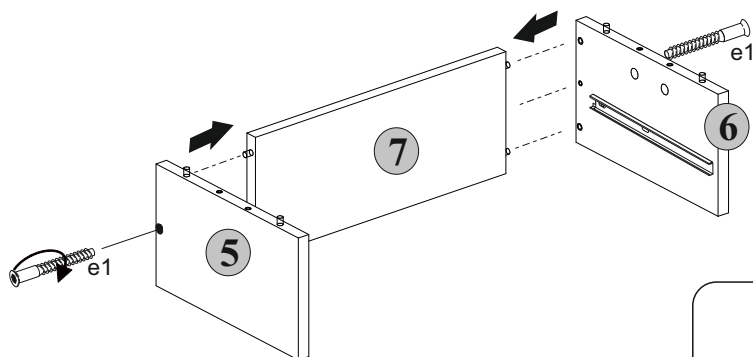
2



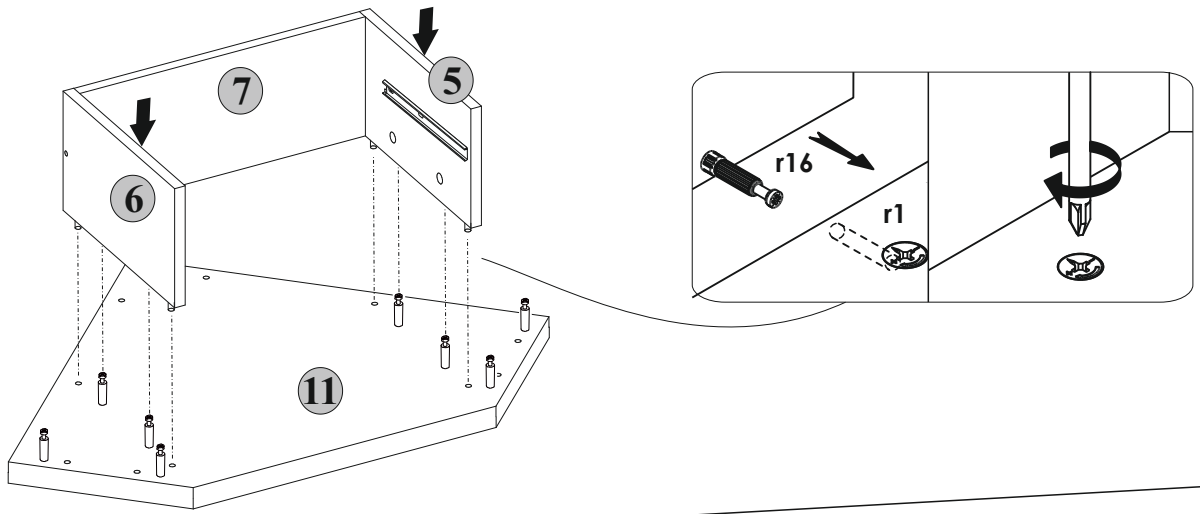
2



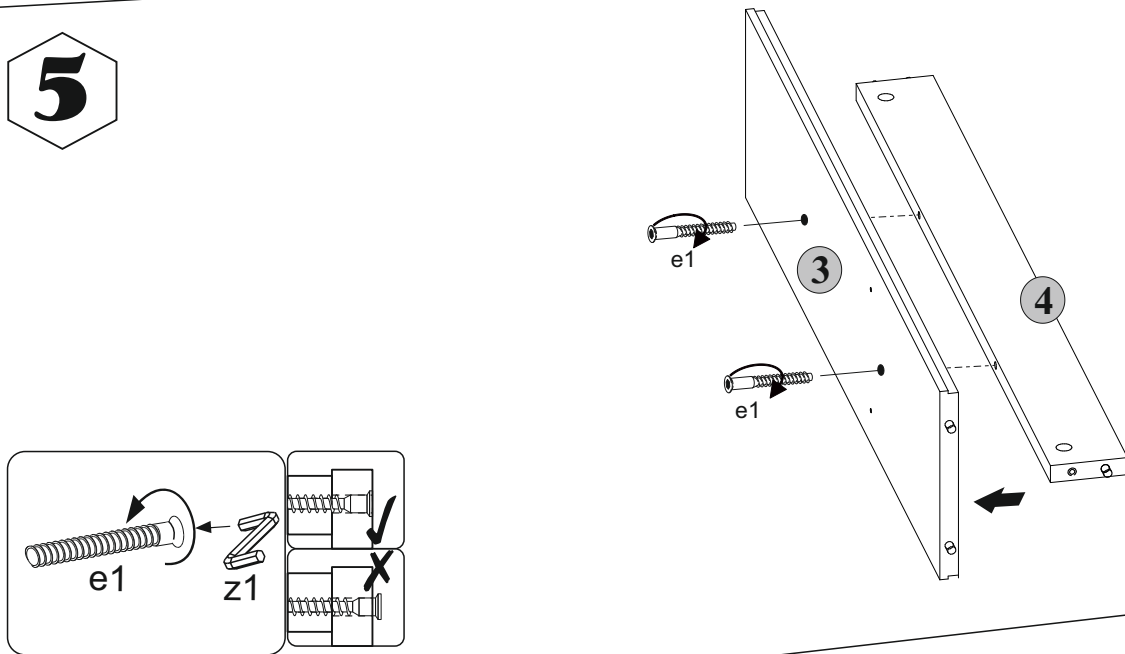
3



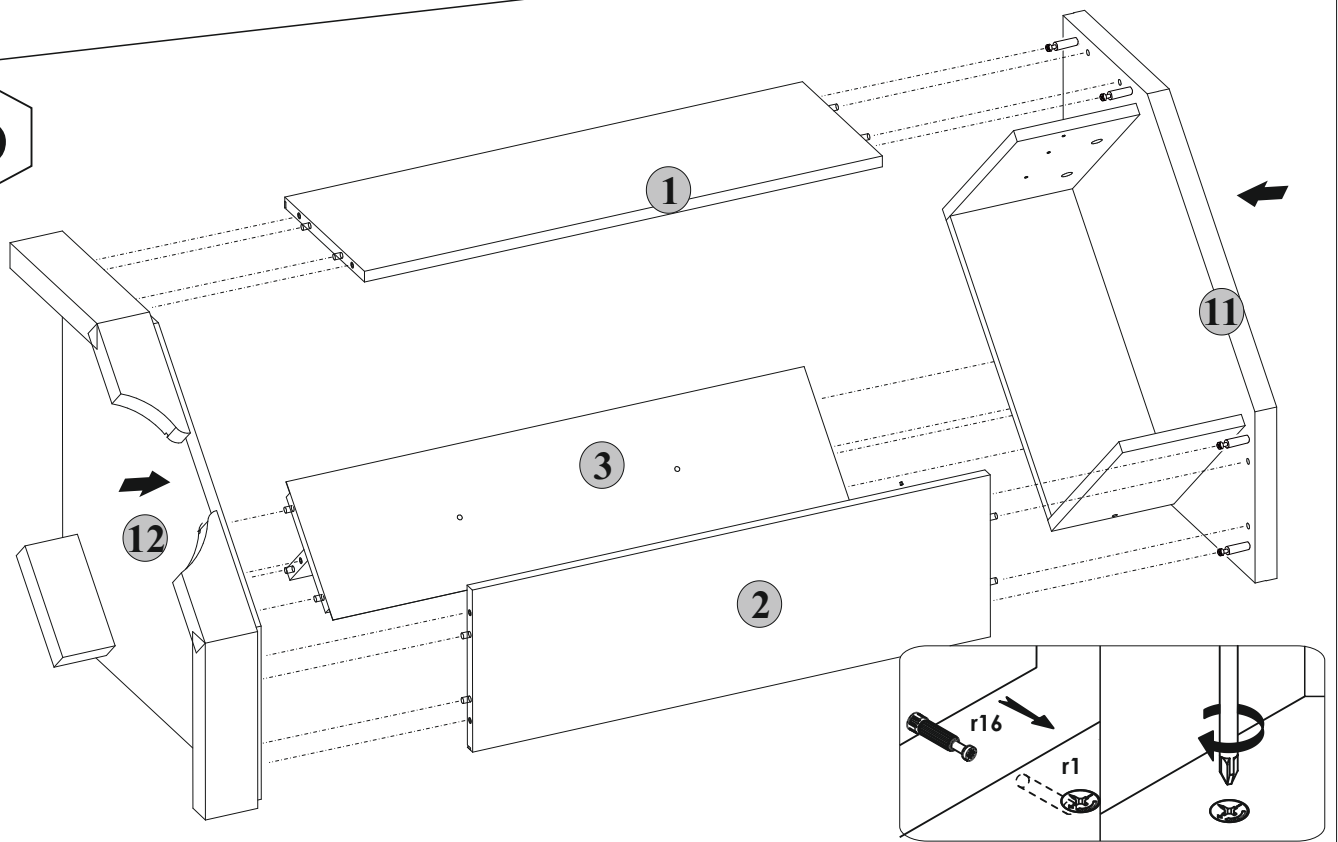
4



5

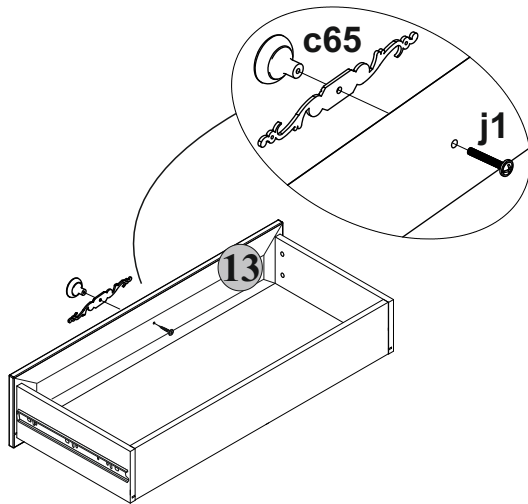
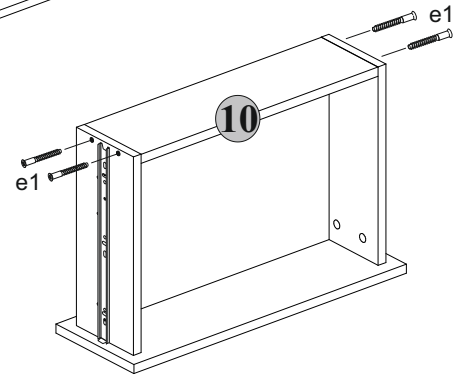
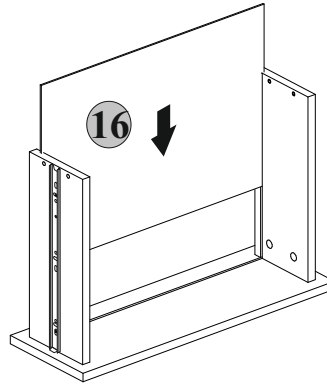
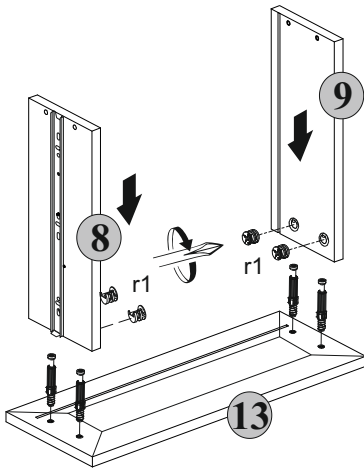
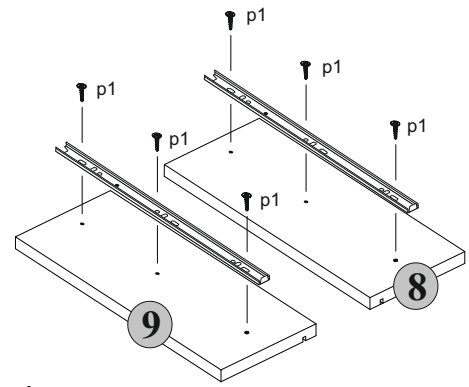
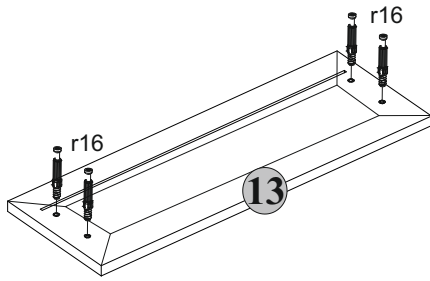


6

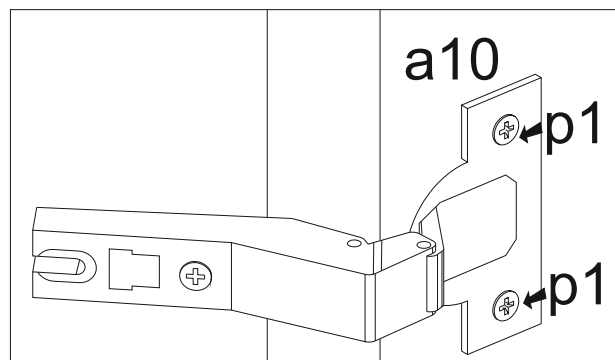
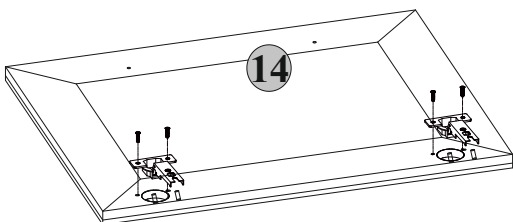


4

7

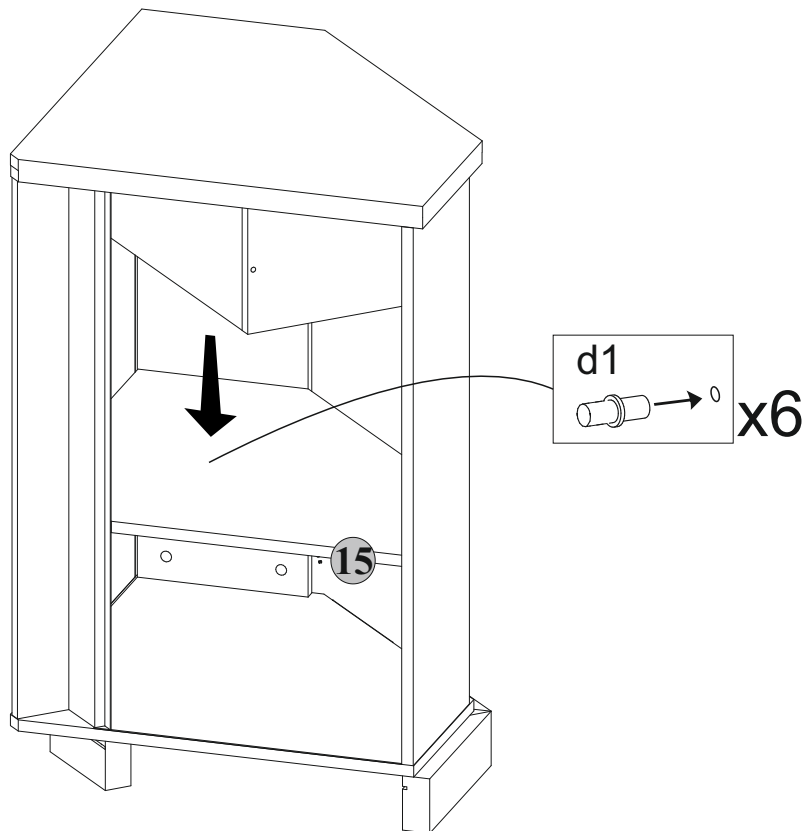


8



5

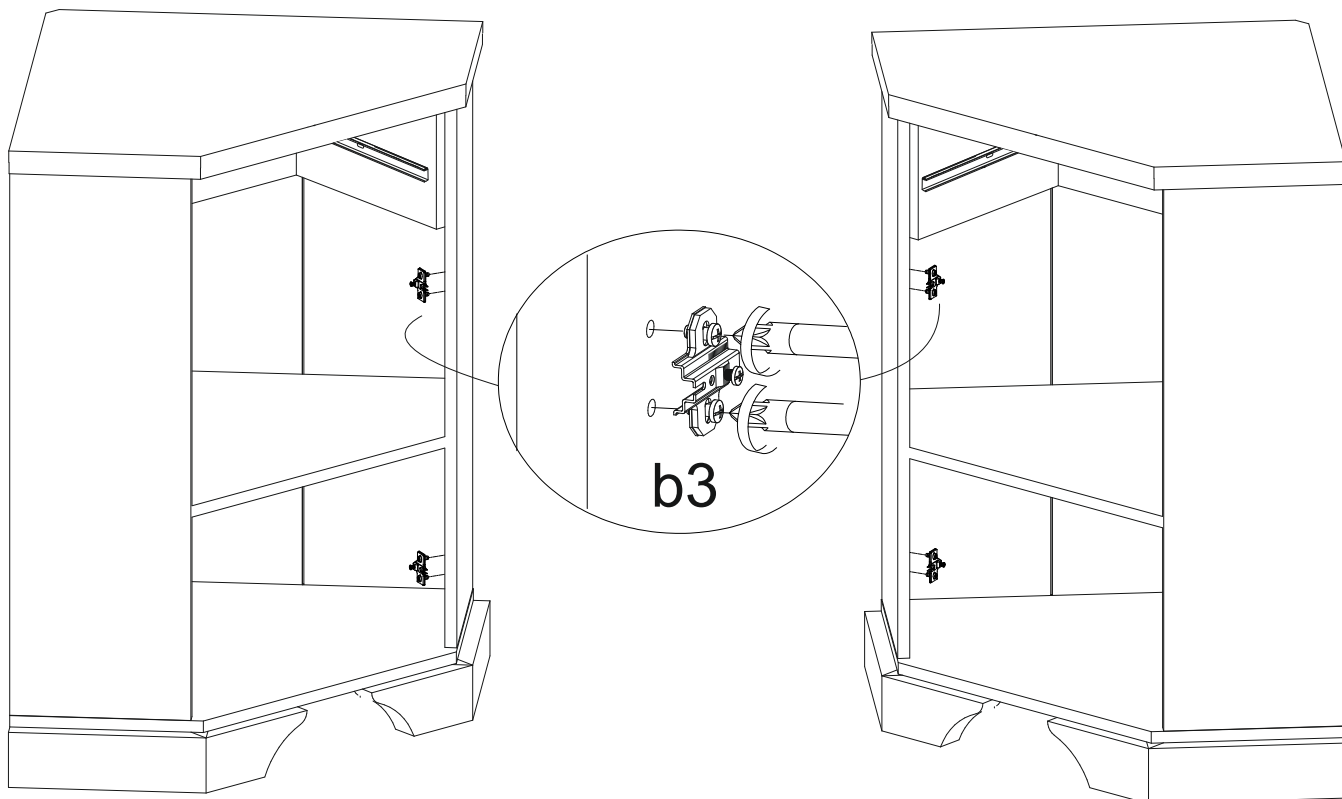
9



10

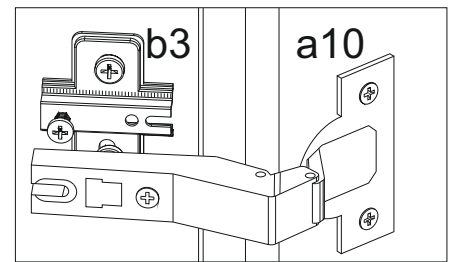
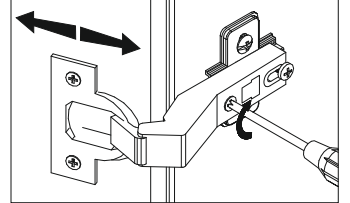
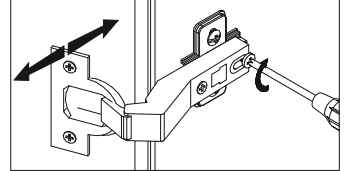
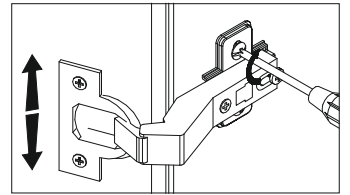
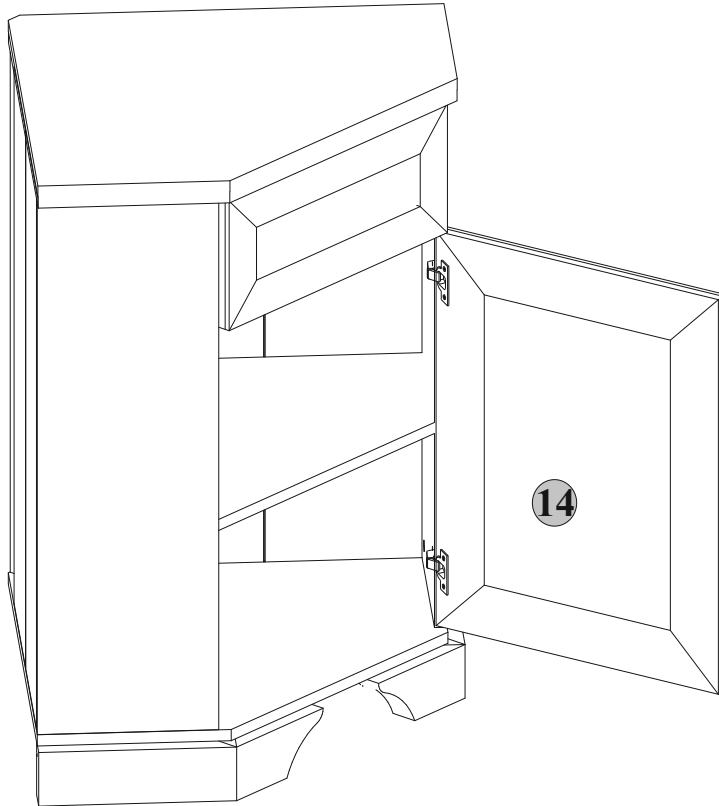
P

L

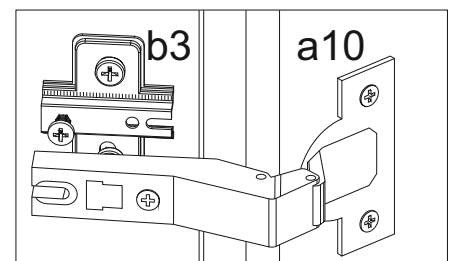
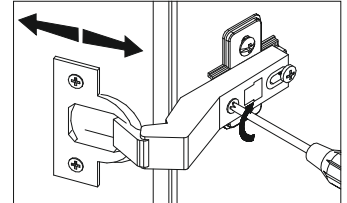
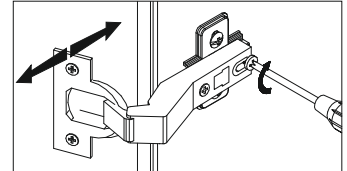
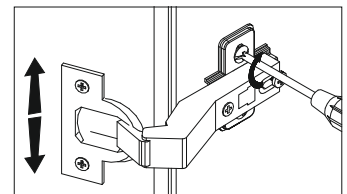
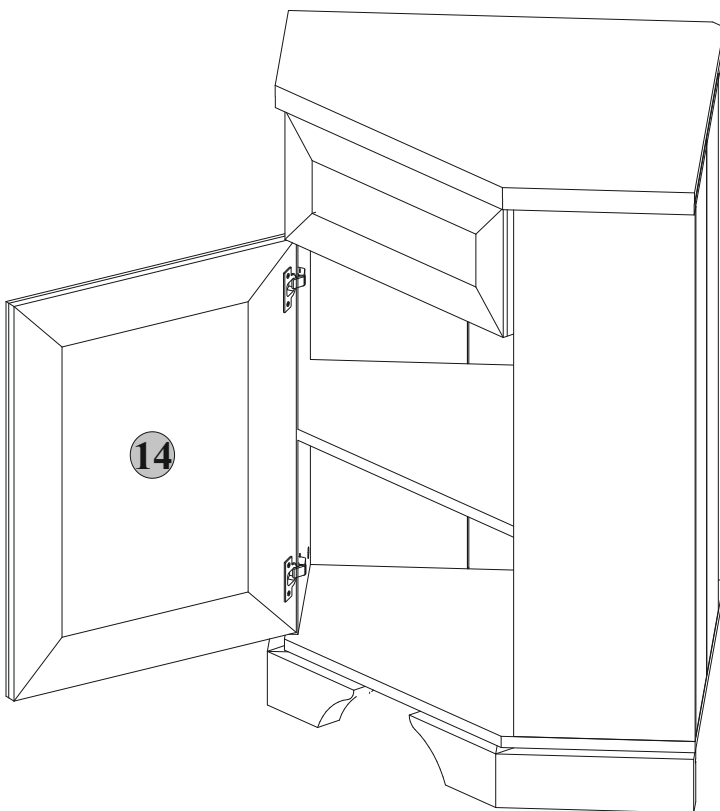


6

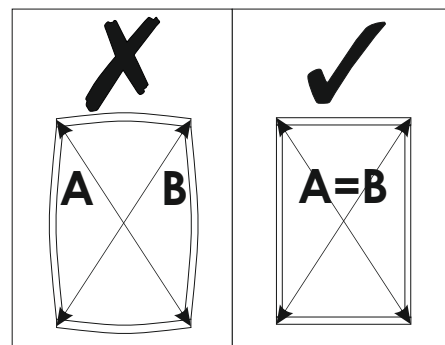
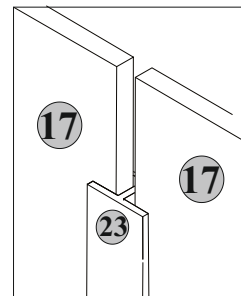
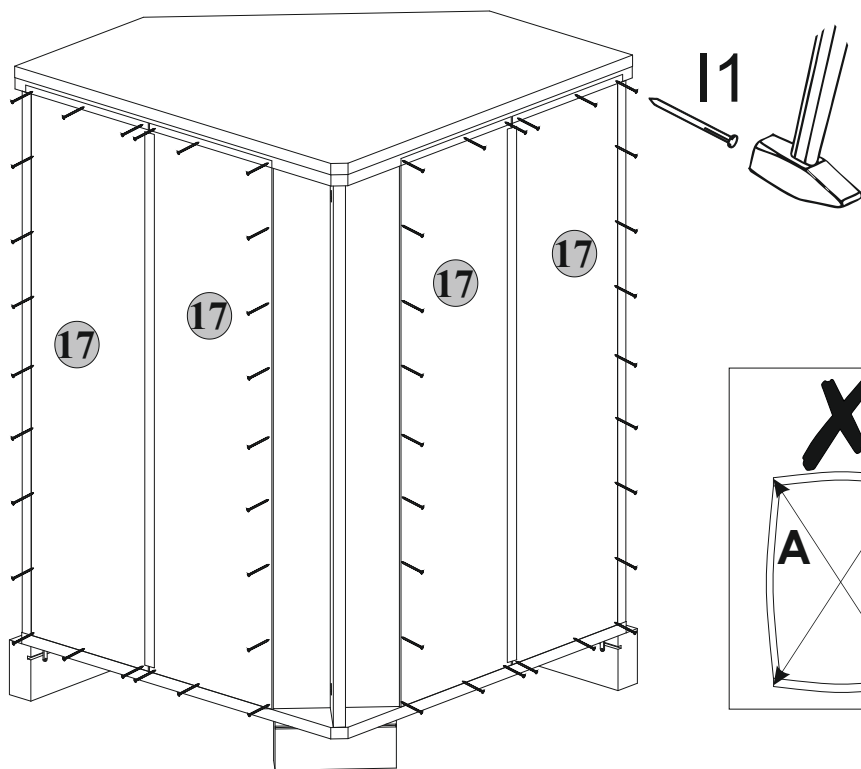
IIP



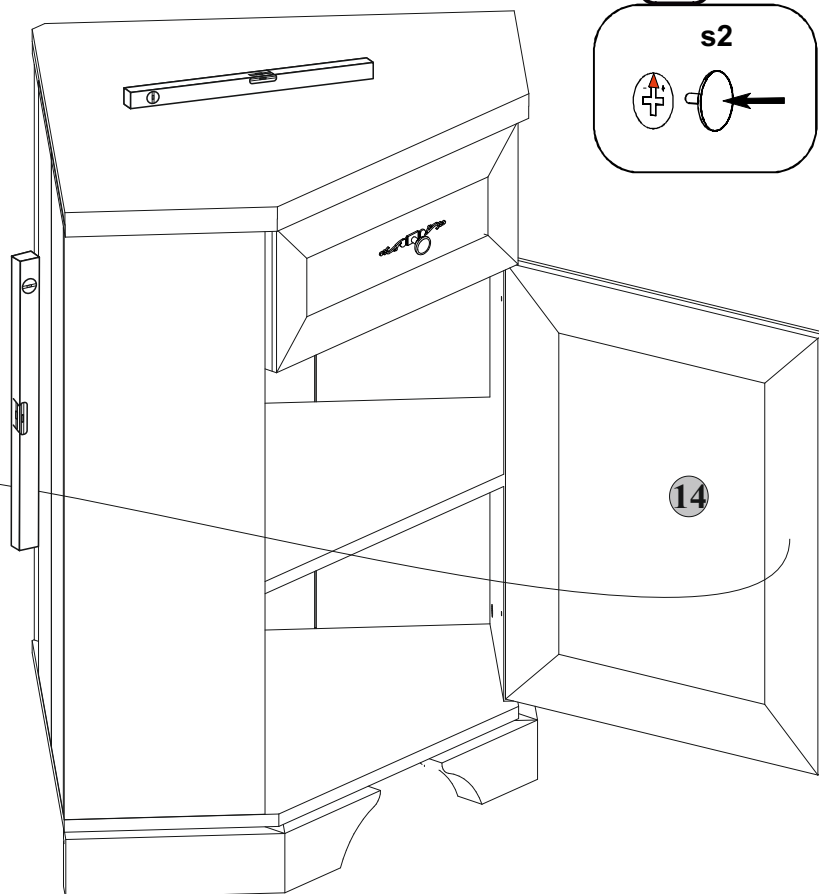
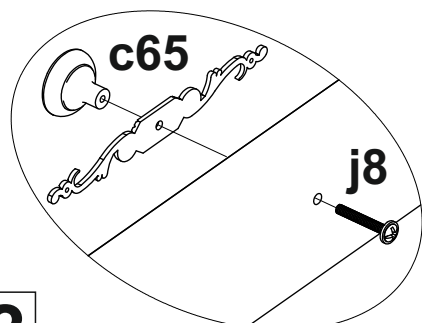
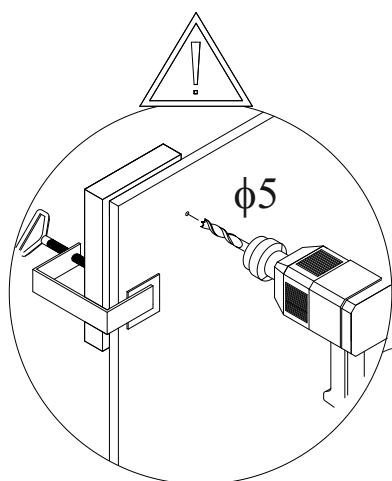
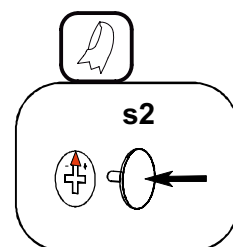
III



11



12



8