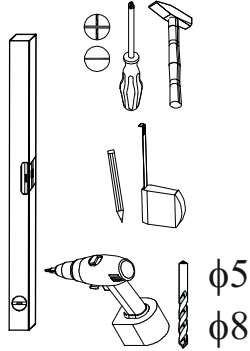
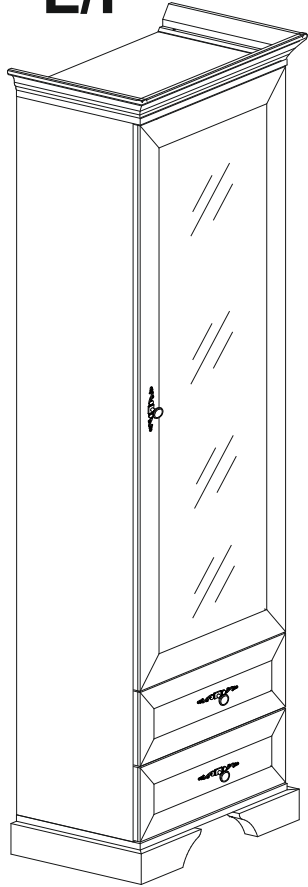
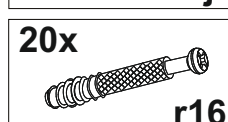
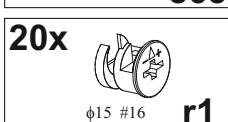
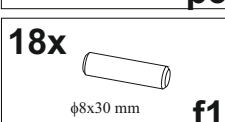
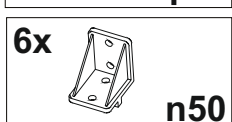
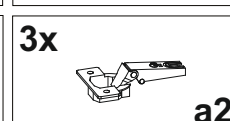
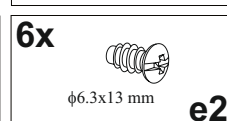
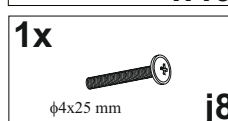
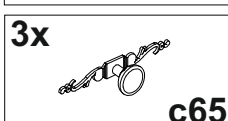
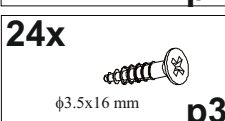
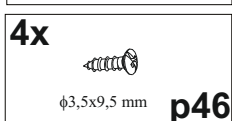
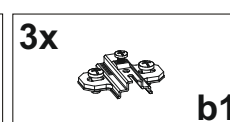
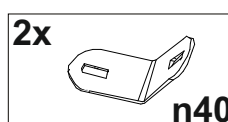
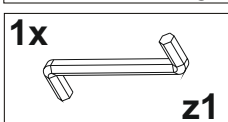
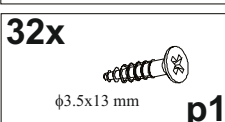
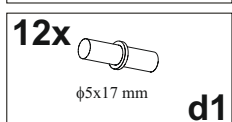
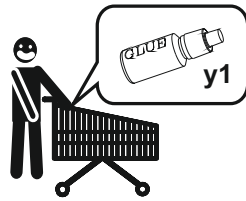
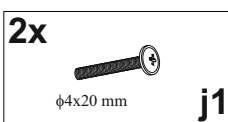
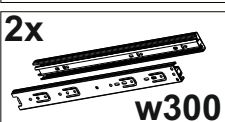
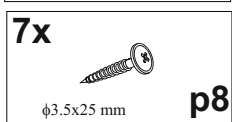
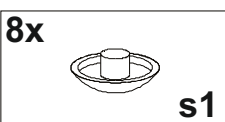
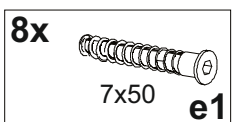
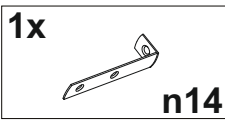
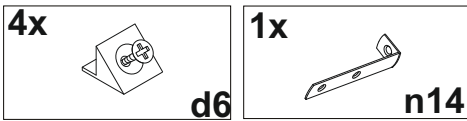
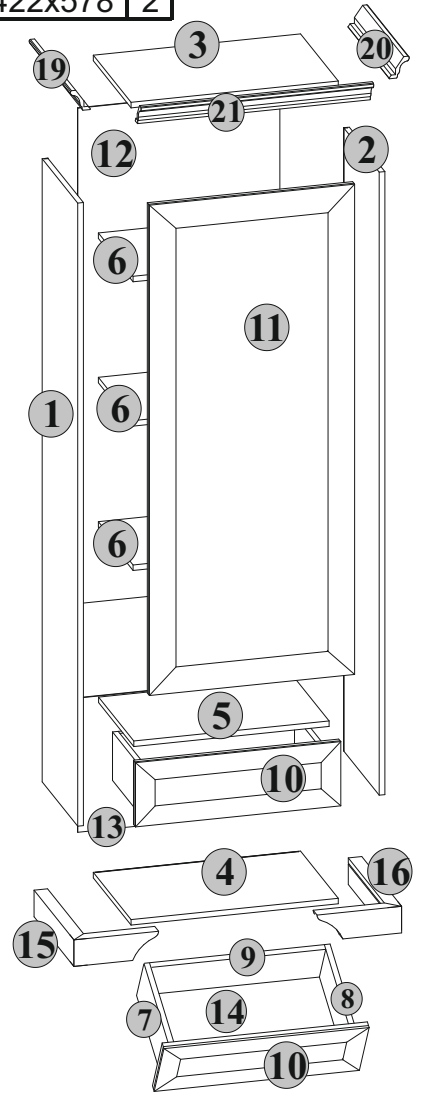
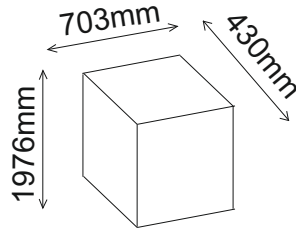


L/P

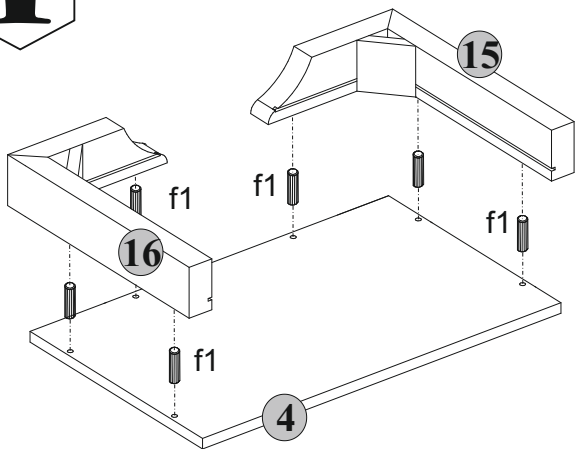


number	Measurements	Pcs.
1	1807x348	1
2	1807x348	1
3	584x370	1
4	584x370	1
5	550x345	1
6	549x340	3
7	340x140	2
8	340x140	2
9	492x140	2
10	186x578	2
11	1422x578	2

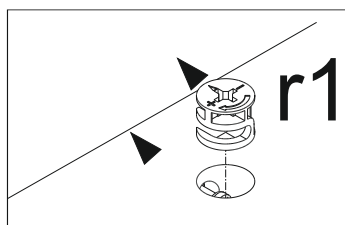
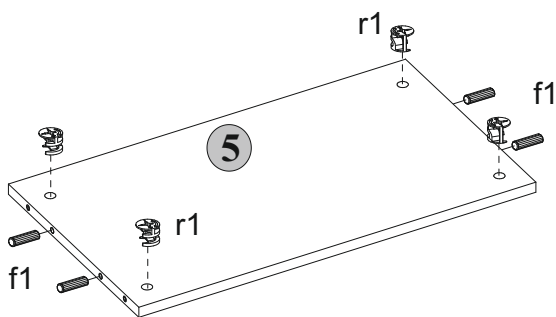
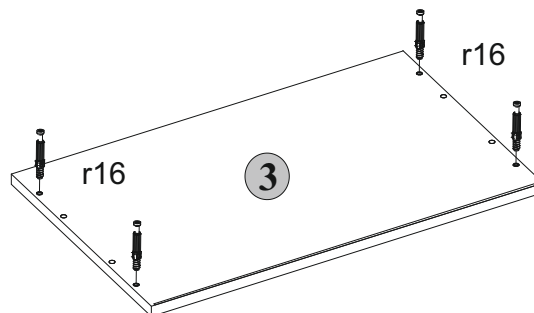
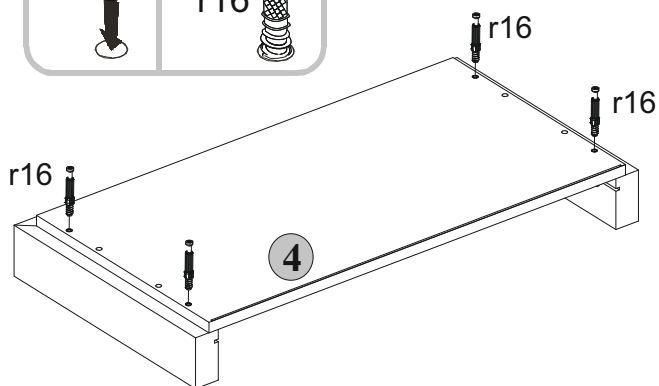
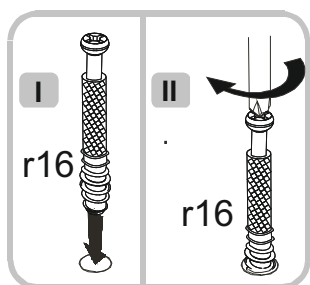
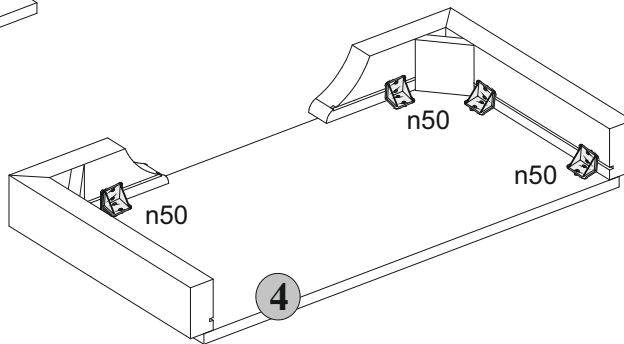
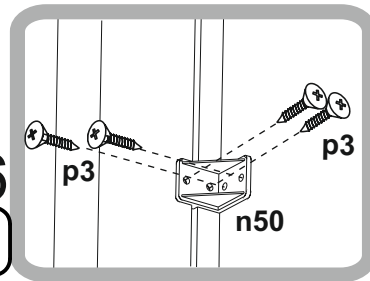
12	1437x569	1
13	389x569	1
14	502x334	2
15	390x238x77	1
16	390x238x77	1
19	403x	1
20	403x	1
21	641x	1



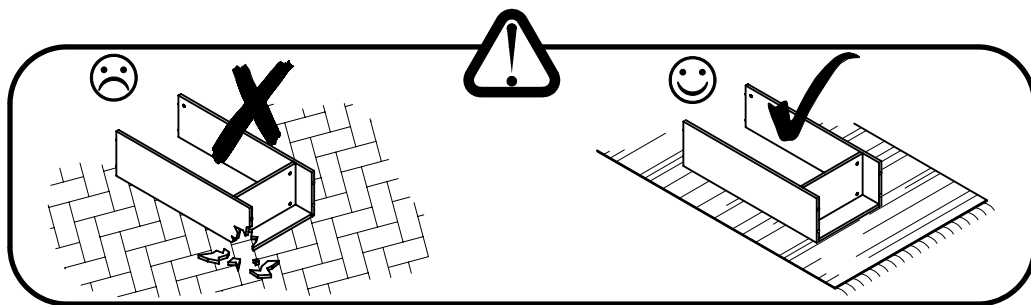
I



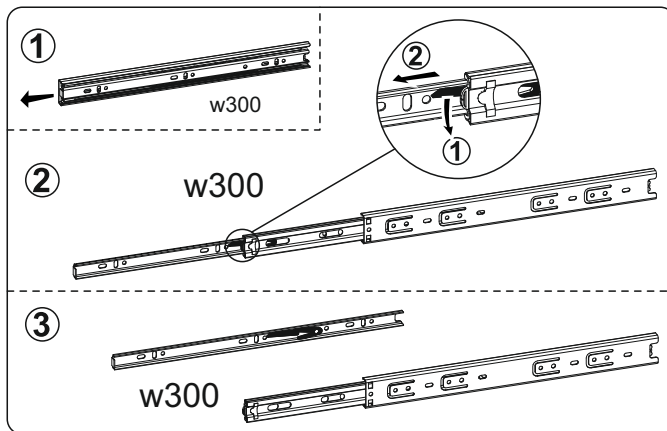
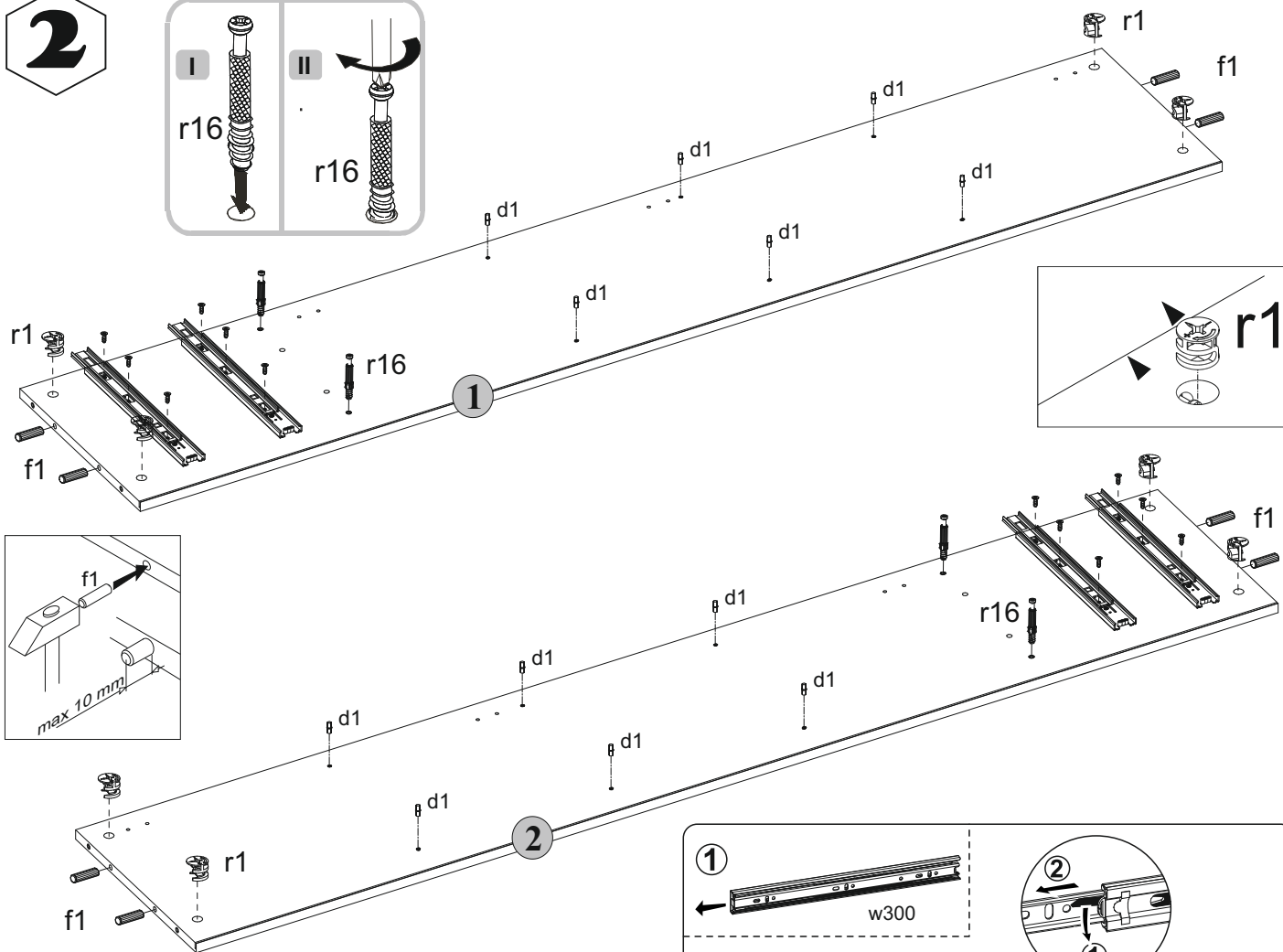
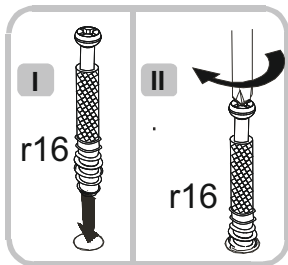
x6



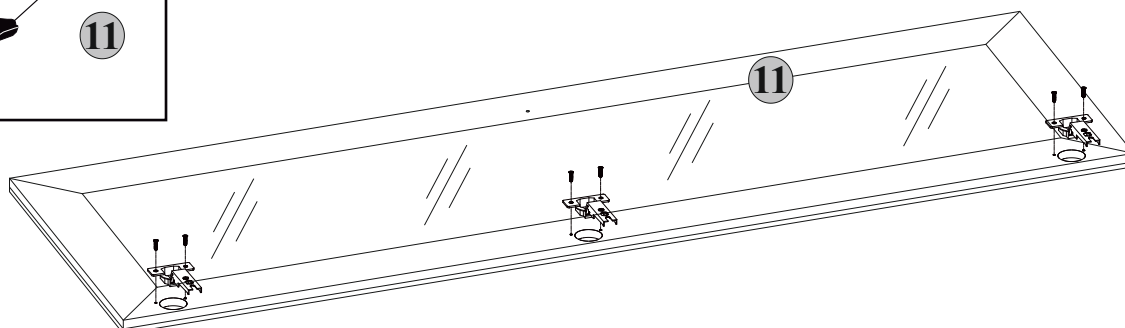
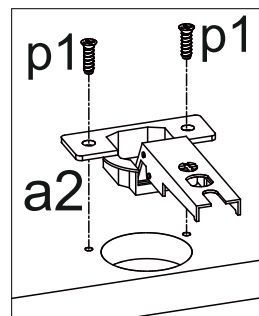
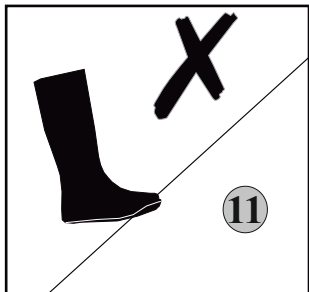
2



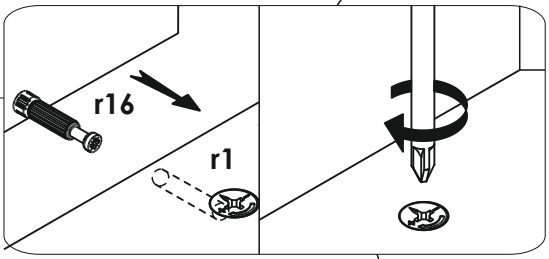
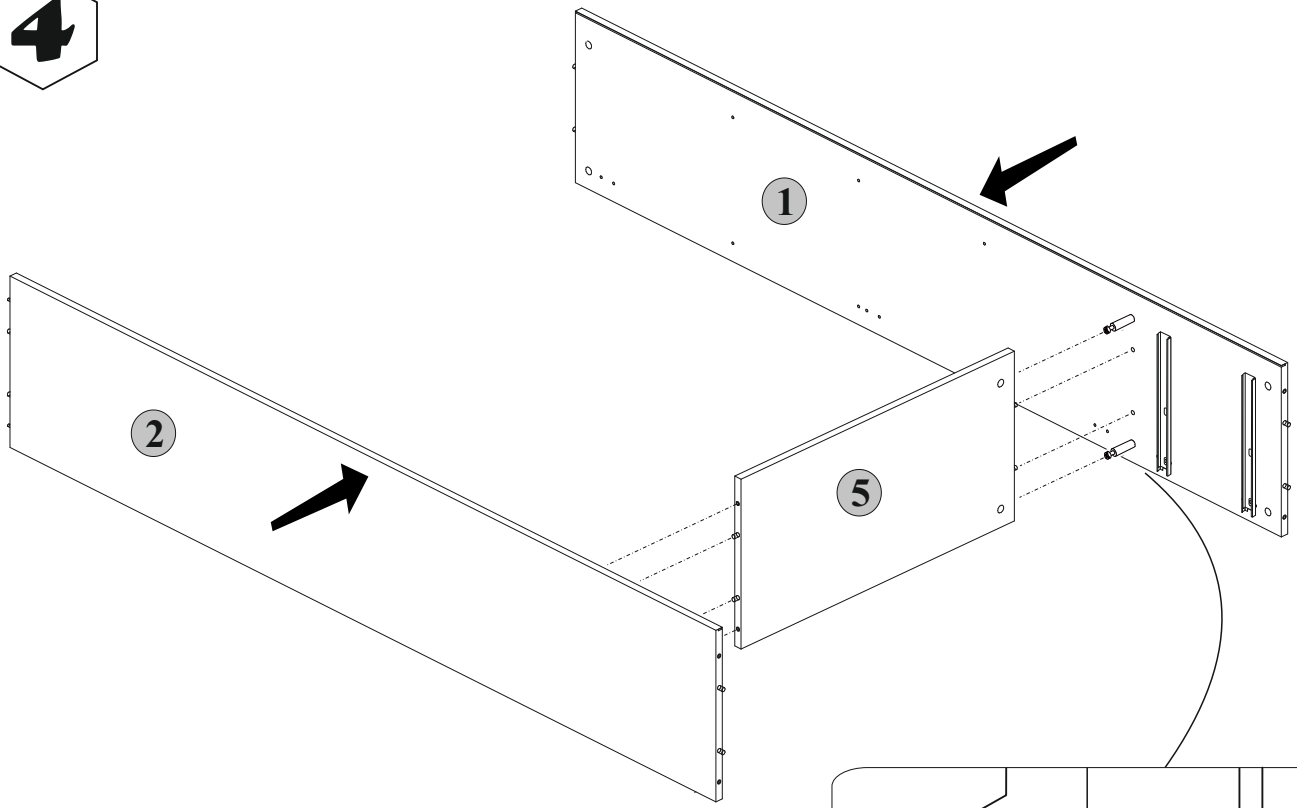
2



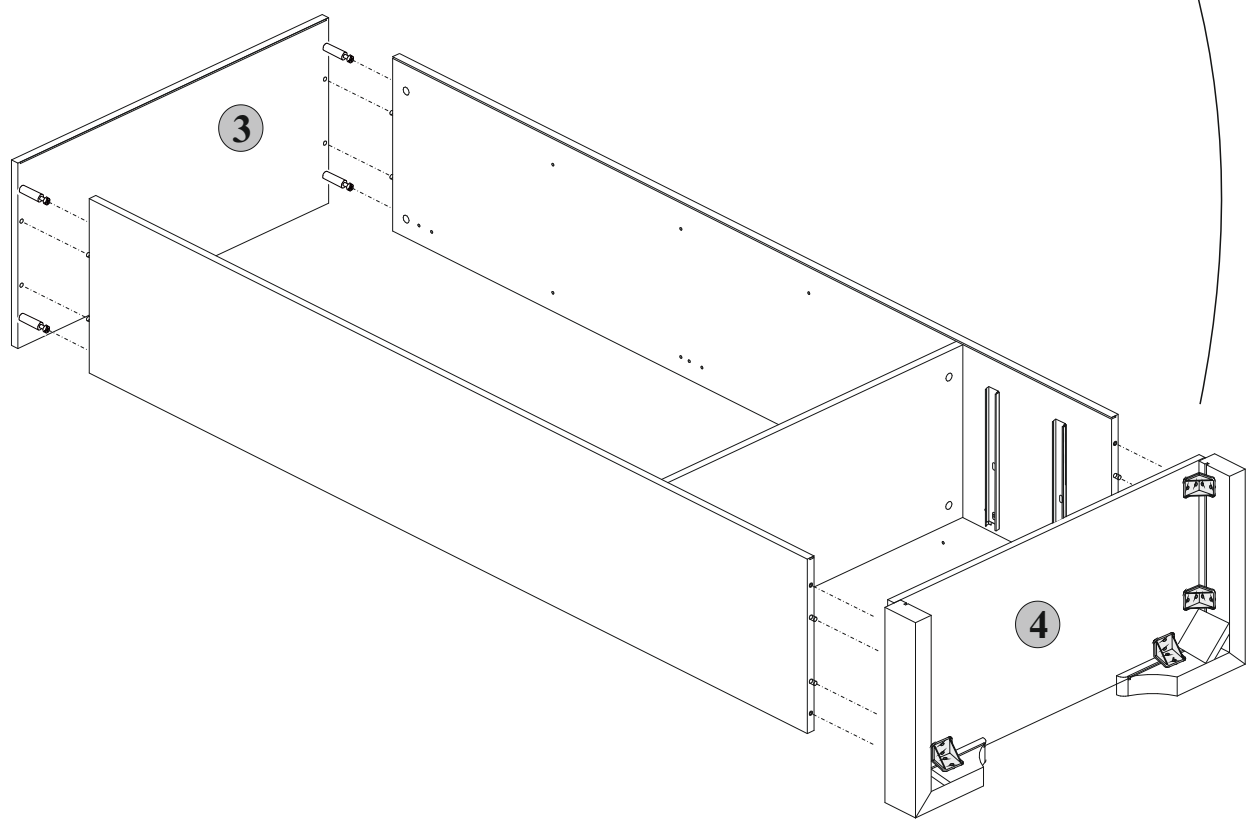
3



4

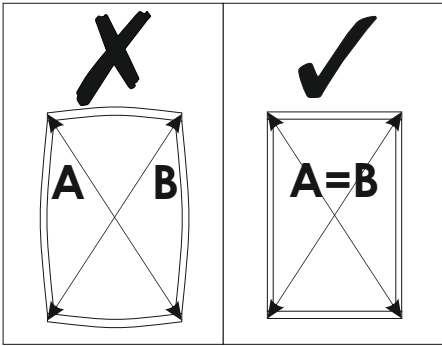
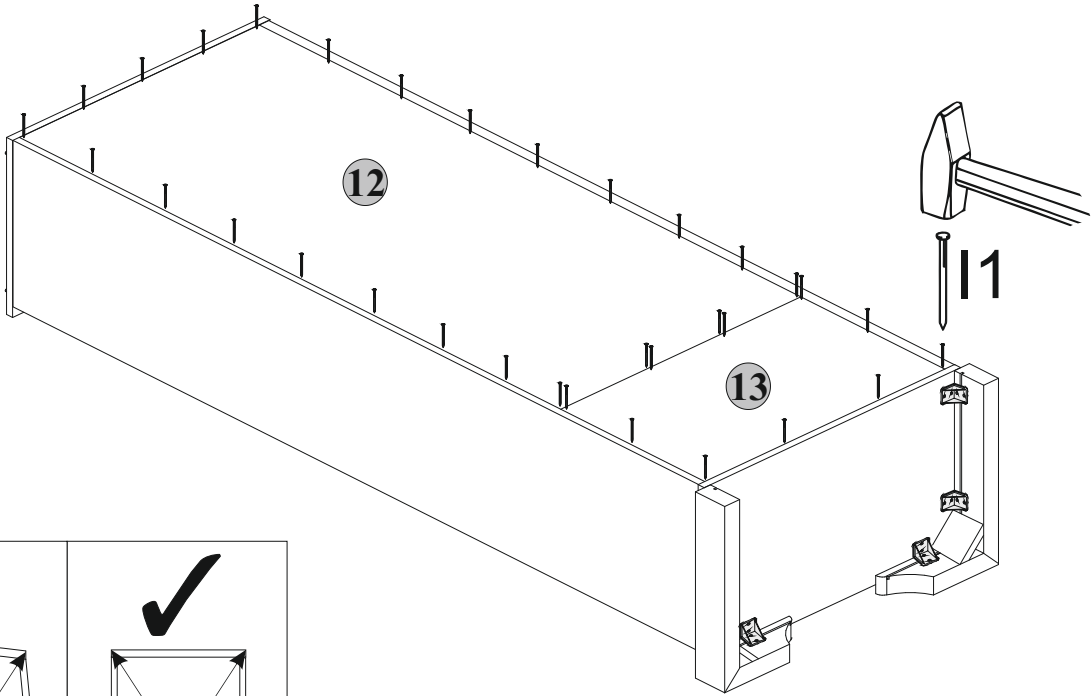


5

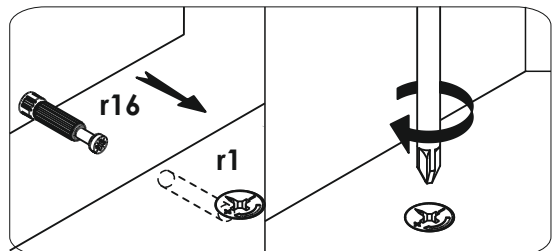
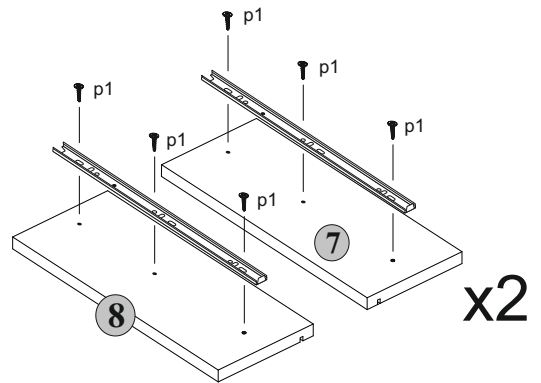
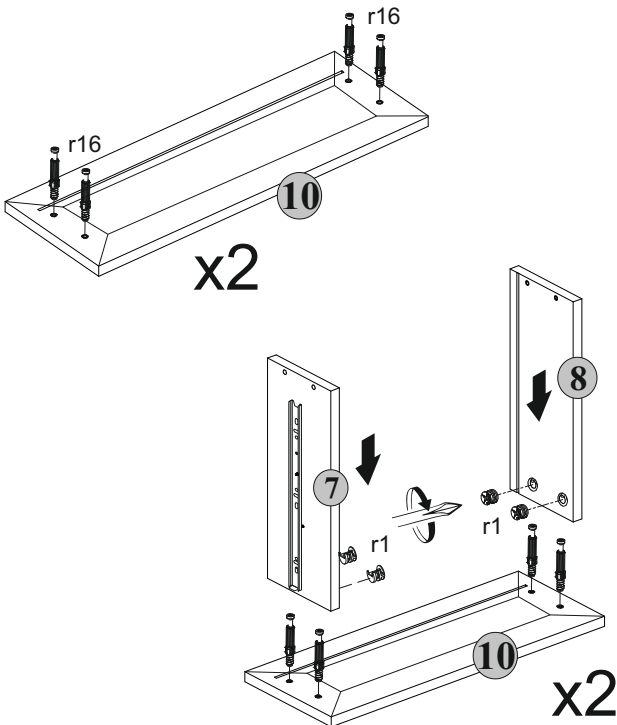


4

6

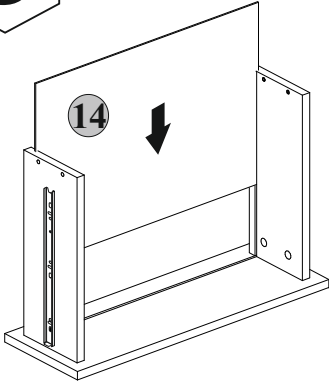


7

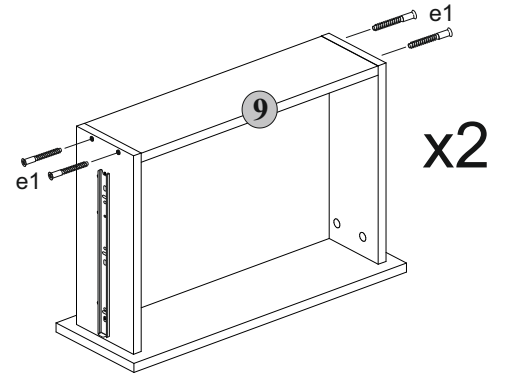
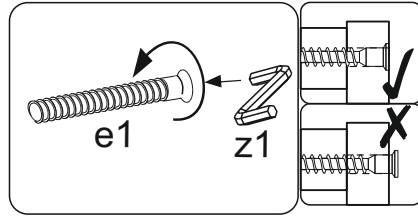


5

8

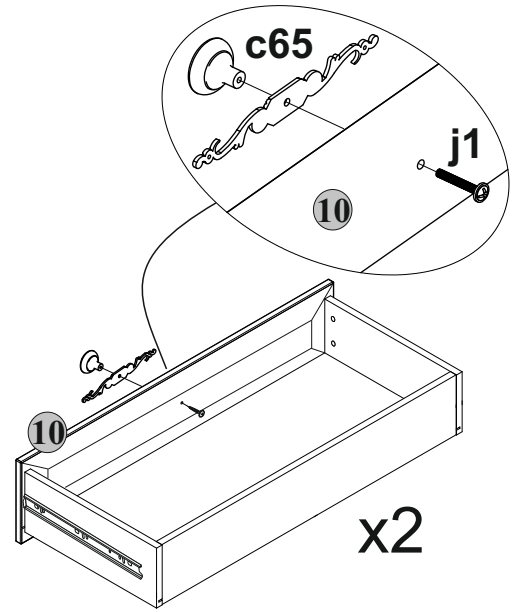
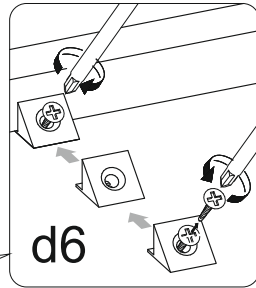
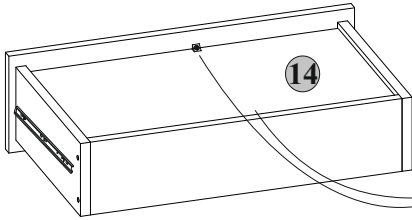


x2



x2

x2

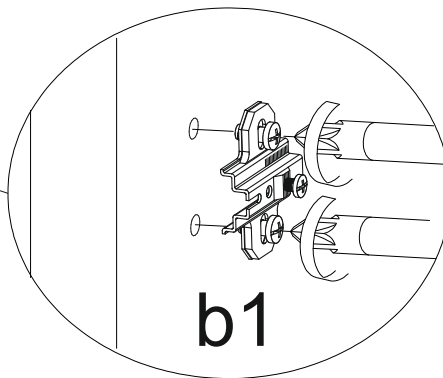
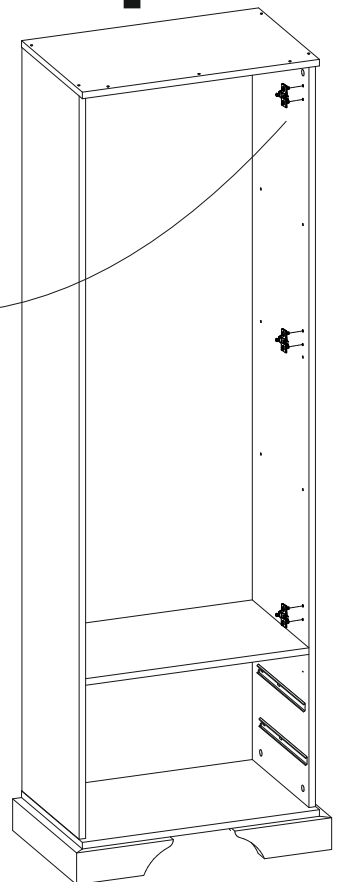
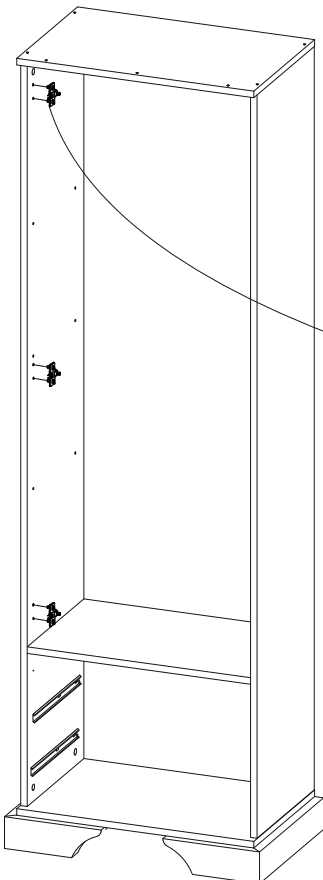


x2

9

L

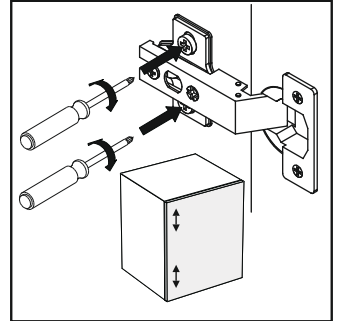
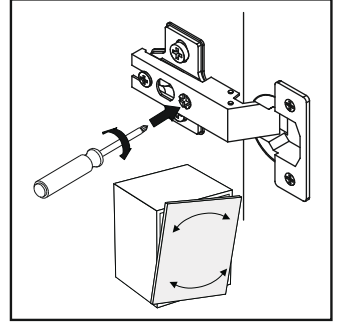
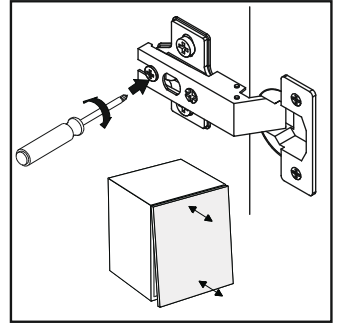
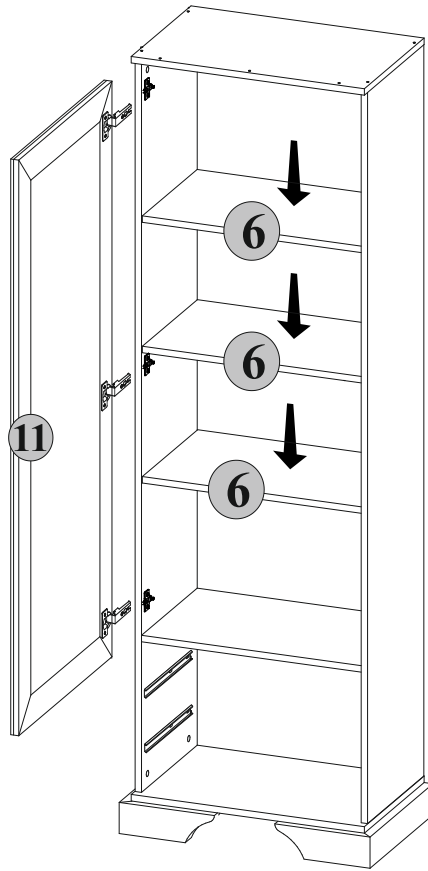
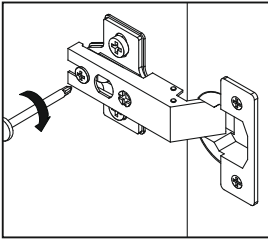
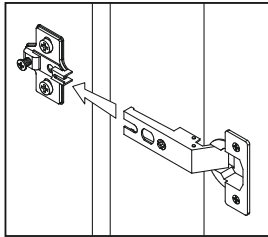
P



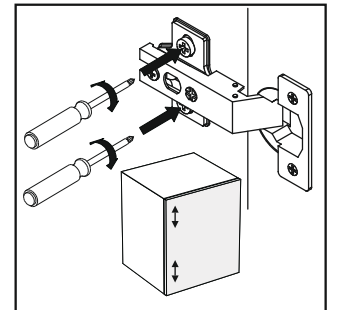
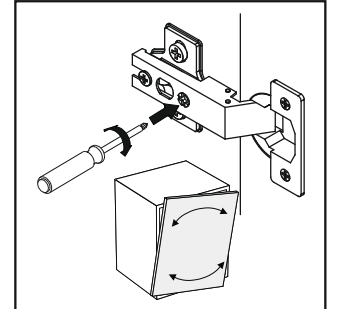
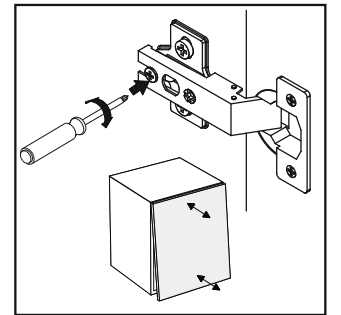
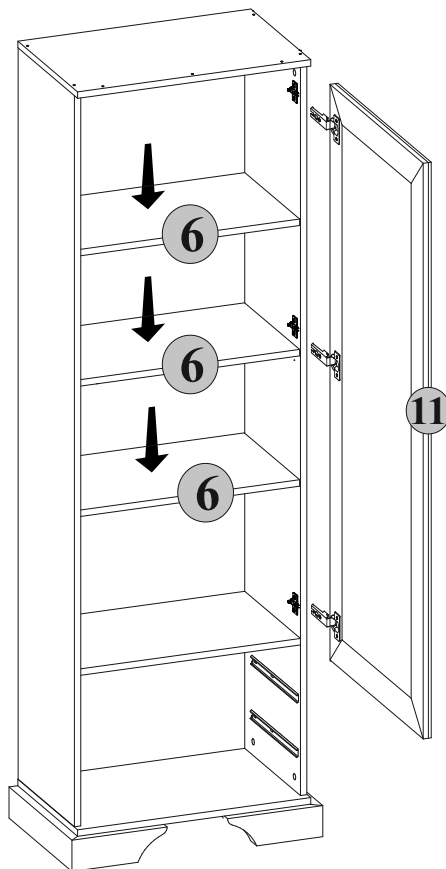
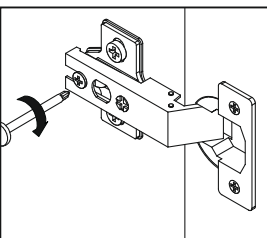
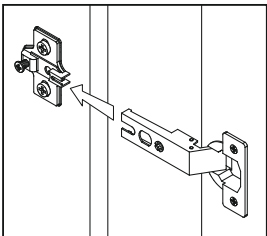
b1

6

10L



10P



11

