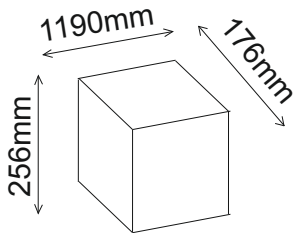
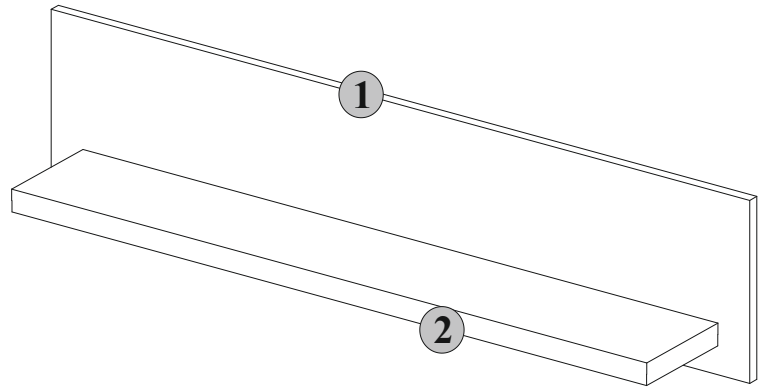
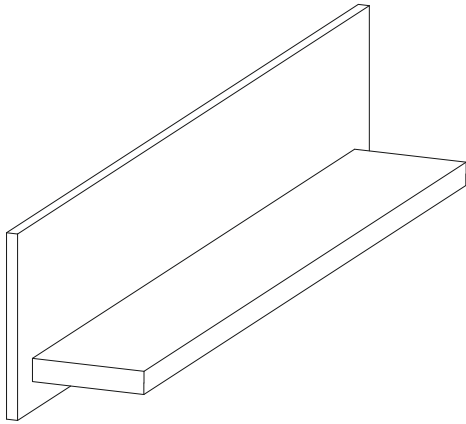


number	Measurements	Pcs.
1	1190x256	1
2	1090x160	1



2x



n3

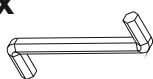
4x



φ5x10.5 mm

e3

1x



z1

4x



e1

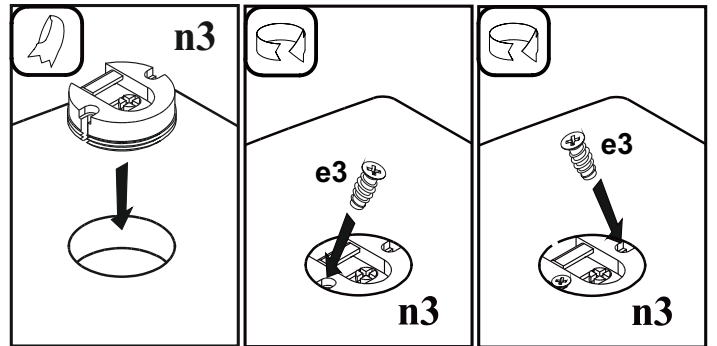
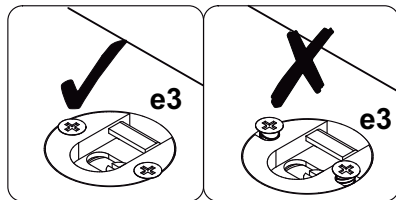
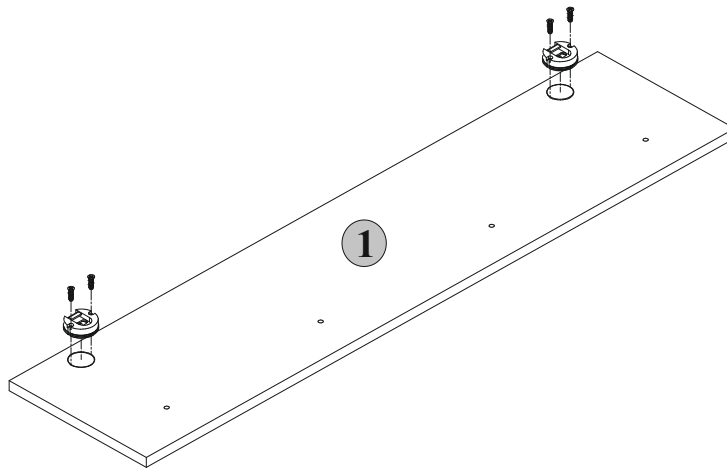
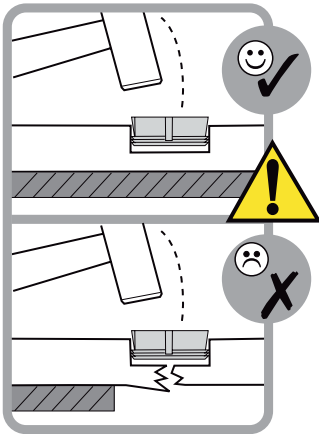
4x



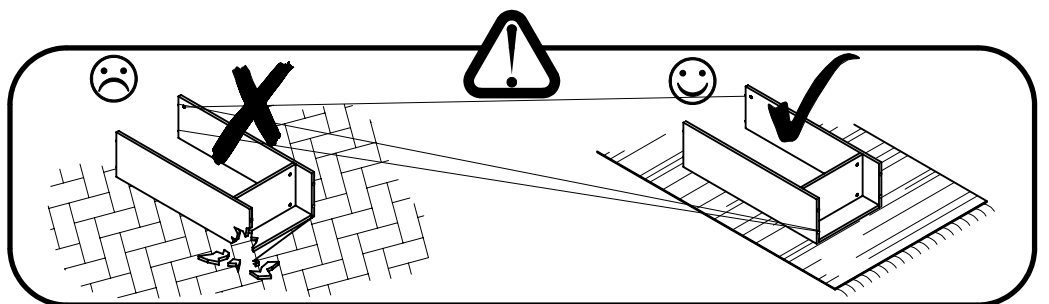
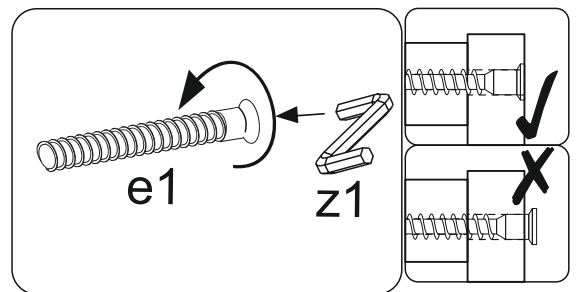
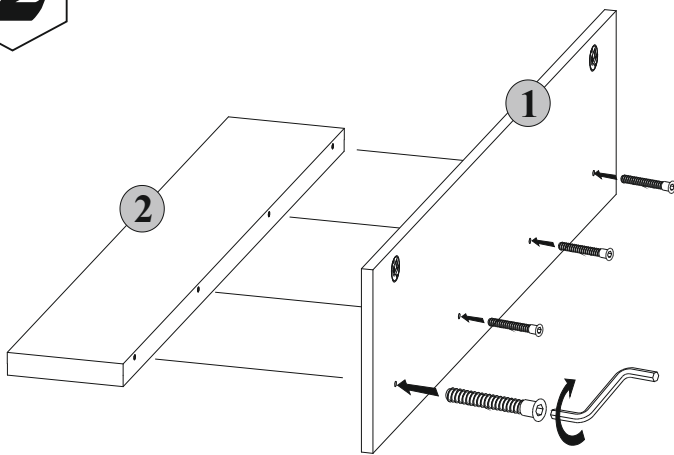
s1

1

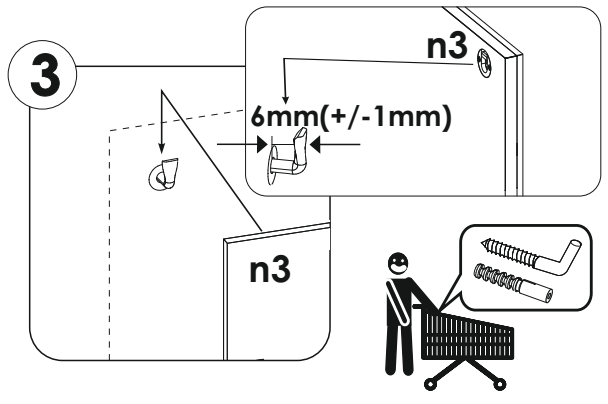
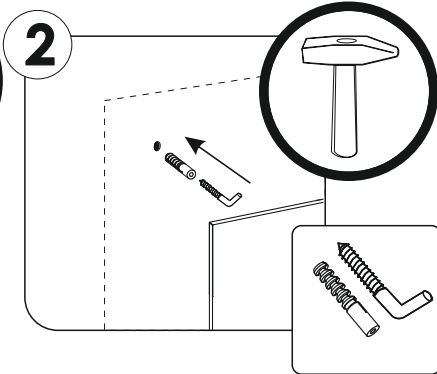
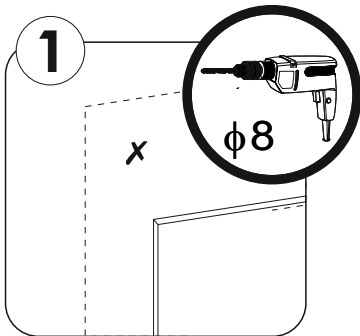
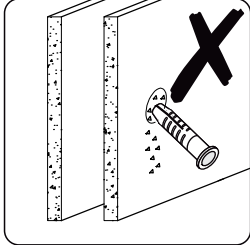
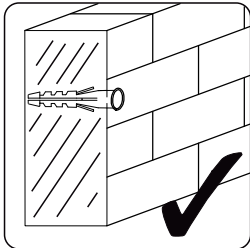
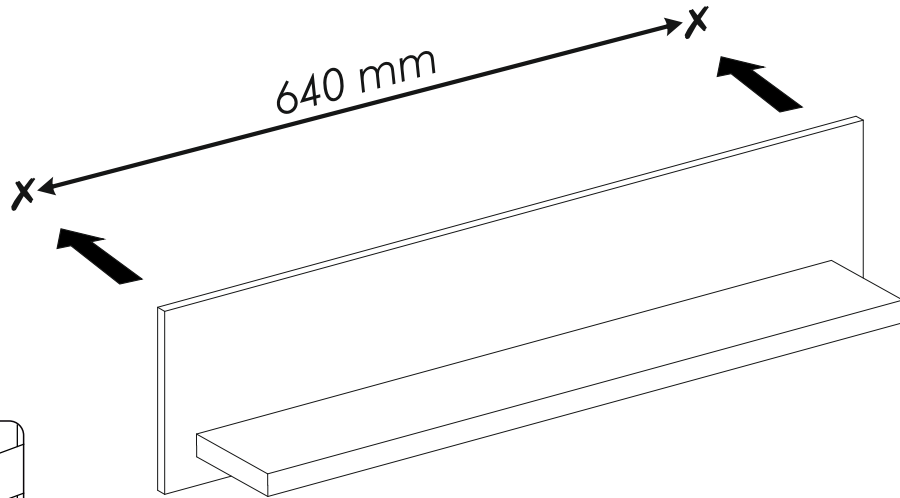
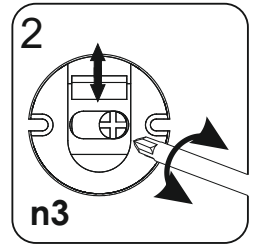
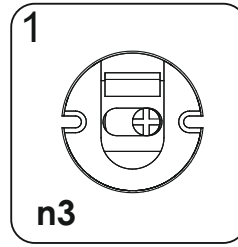
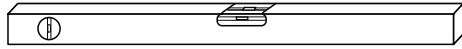
# I



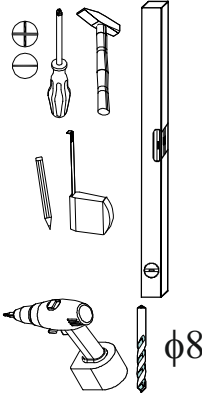
# 2



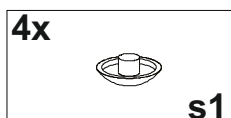
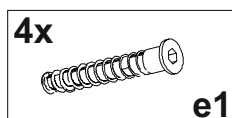
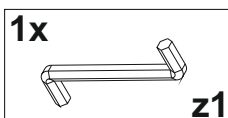
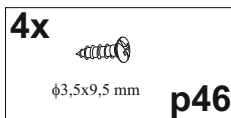
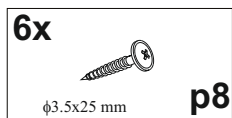
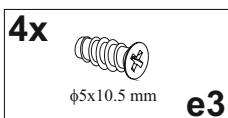
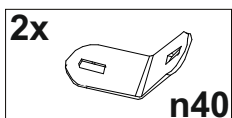
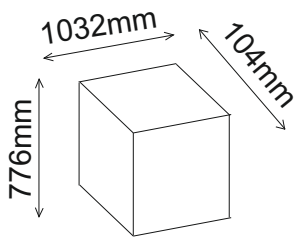
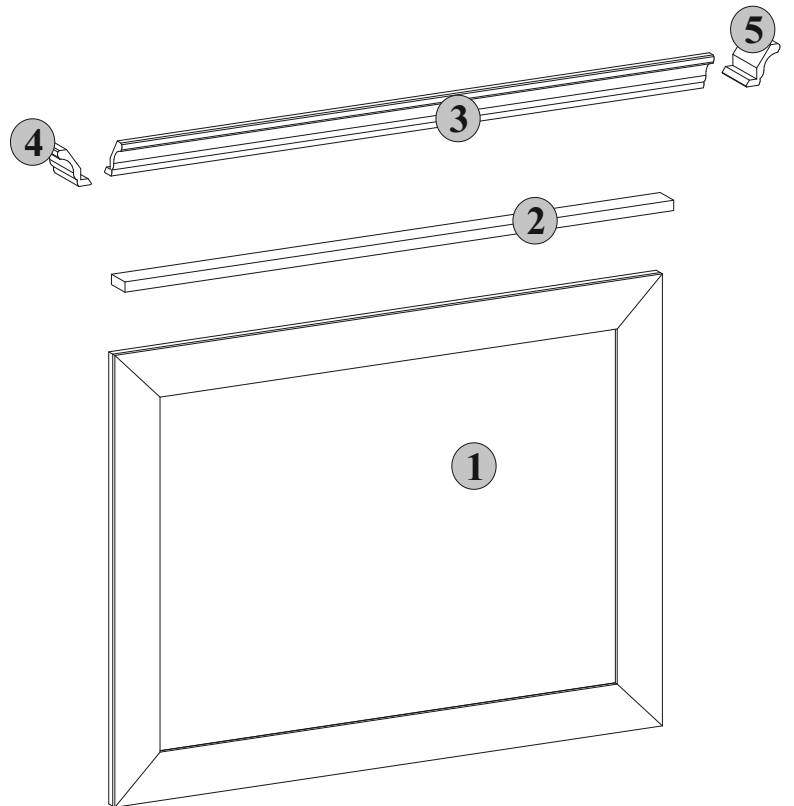
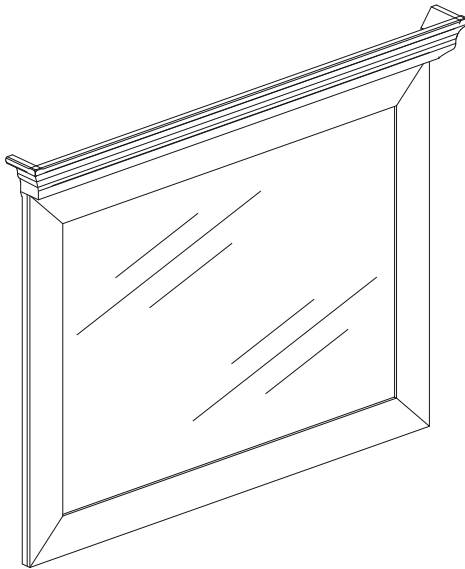
3



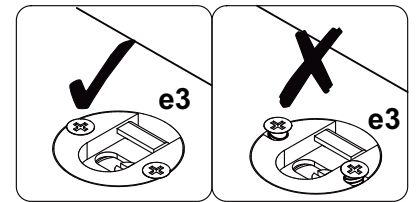
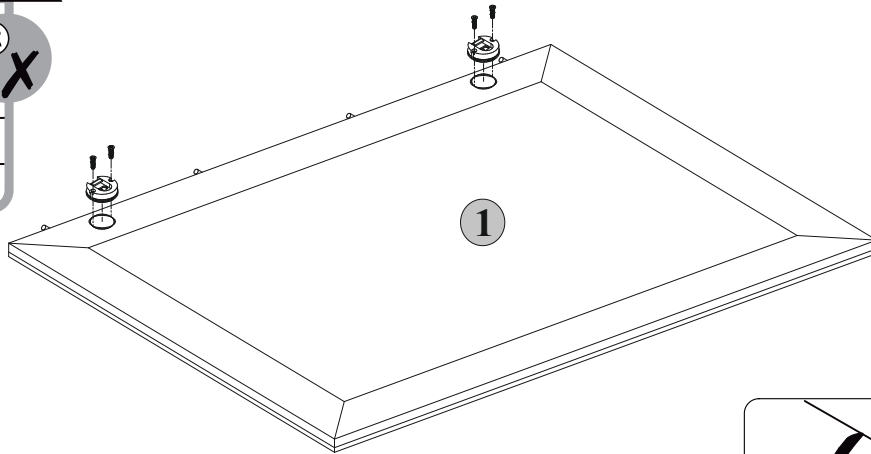
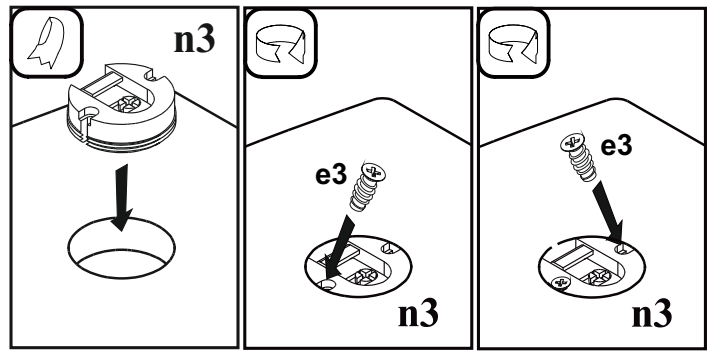
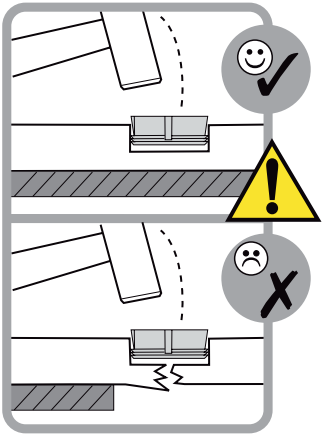
3



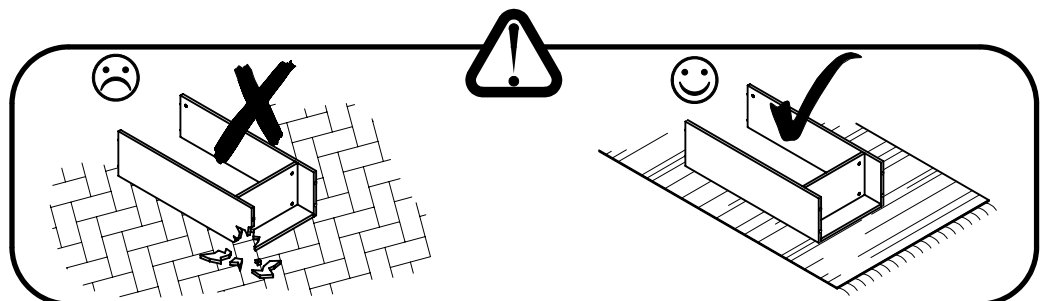
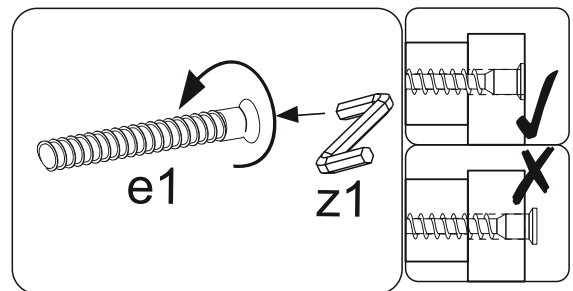
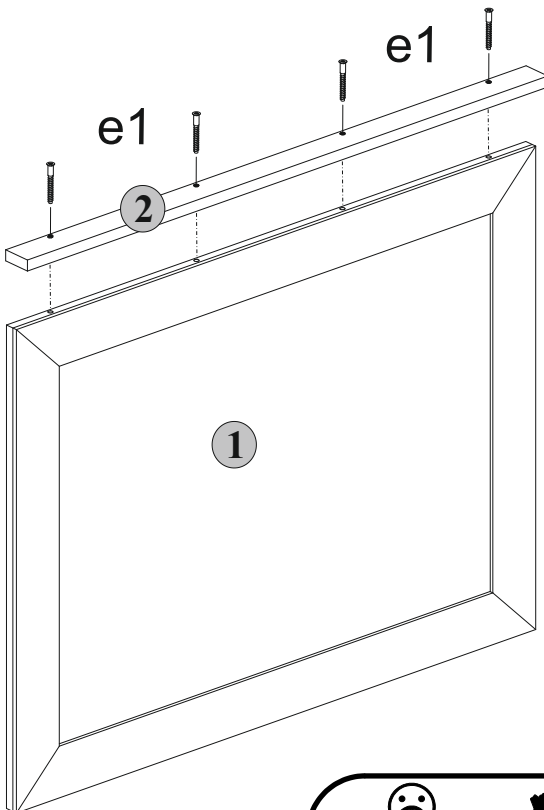
number	Measurements	Pcs.
1	700x910	1
2	912x44	1
3	984x	1
4	77x	1
5	77x	1



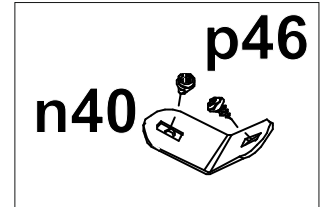
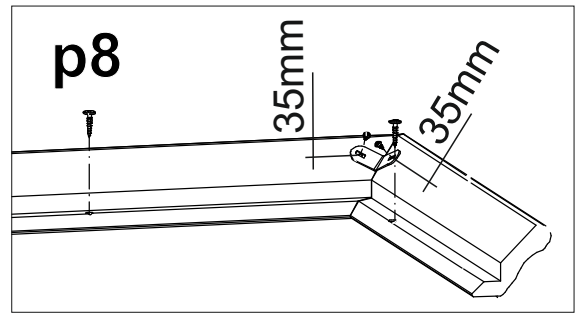
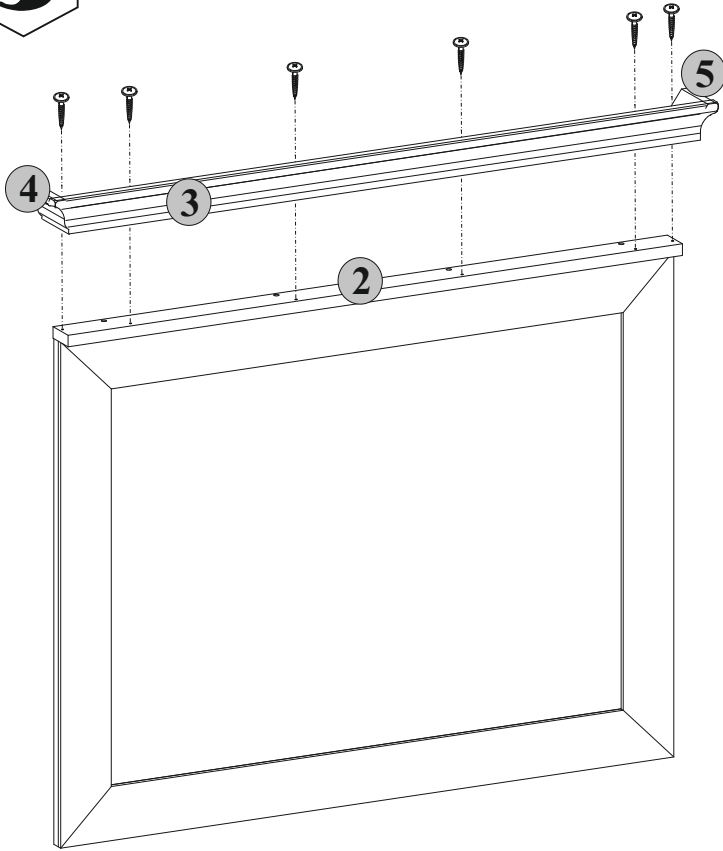
# 1



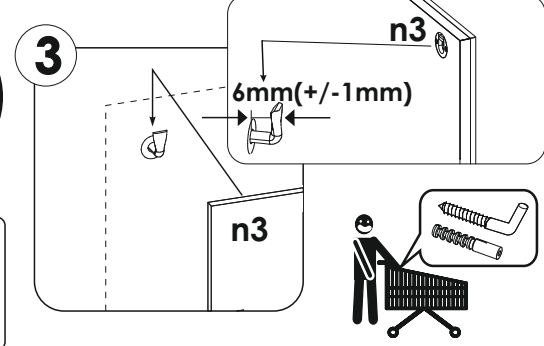
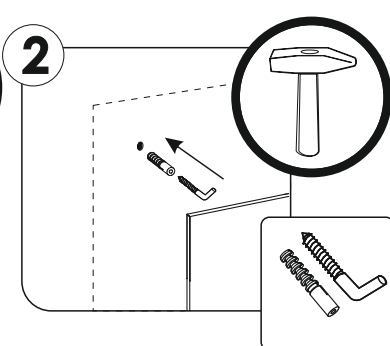
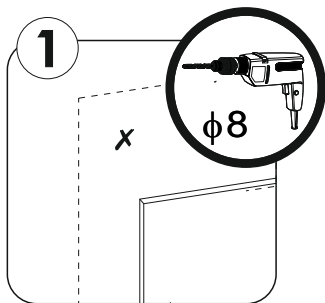
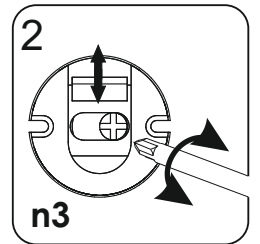
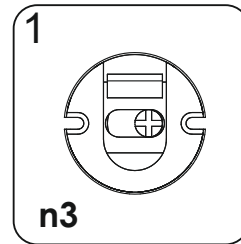
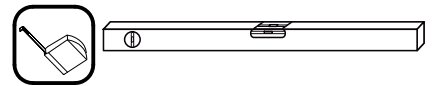
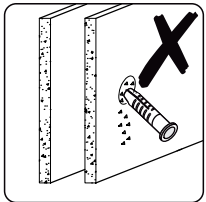
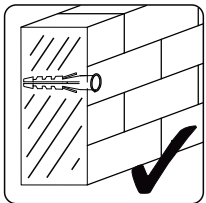
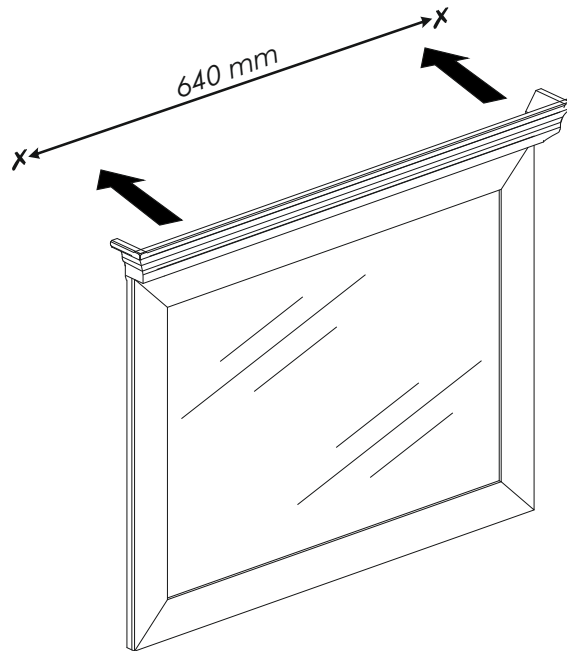
# 2



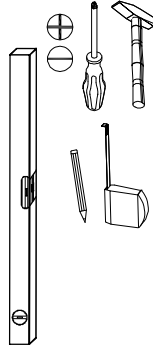
**3**



**4**

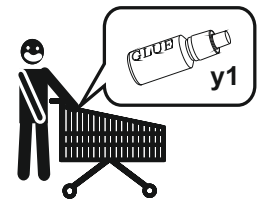
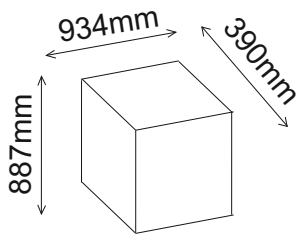
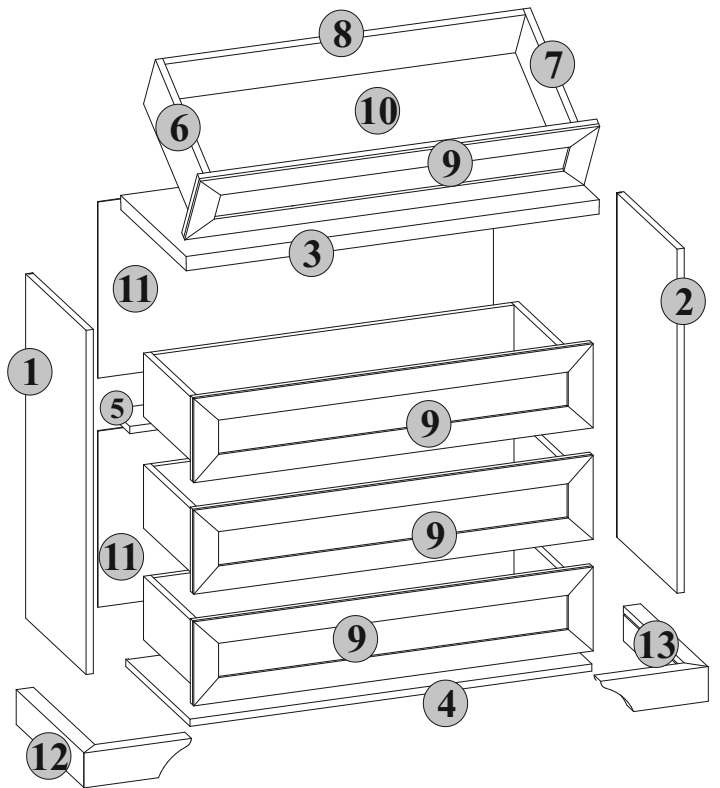
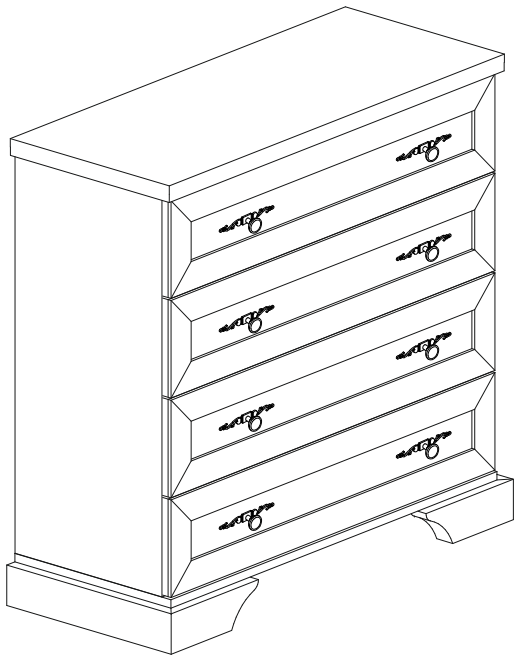


**3**



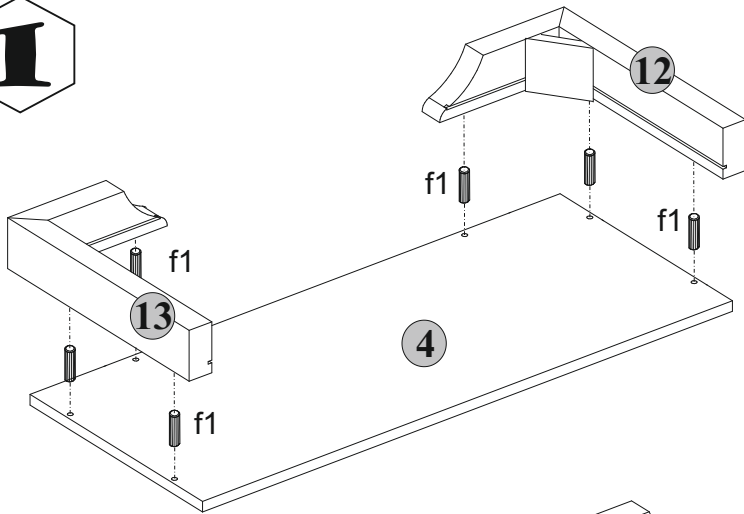
number	Measurements	Pcs.
1	762x348	1
2	762x348	1
3	914x385	1
4	890x370	1
5	856x106	1
6	340x140	4
7	340x140	4
8	798x140	4
9	186x884	4
10	808x334	4
11	390x875	2

12	390x238x77	1
13	390x238x77	1

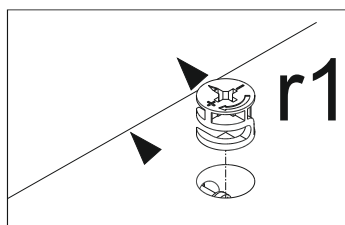
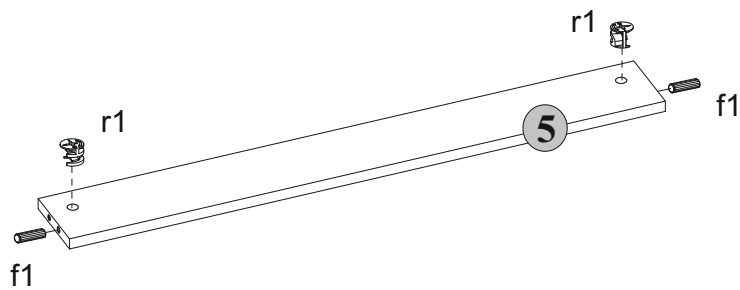
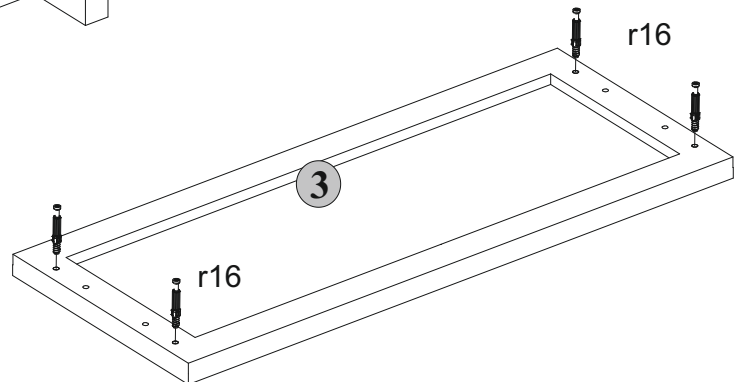
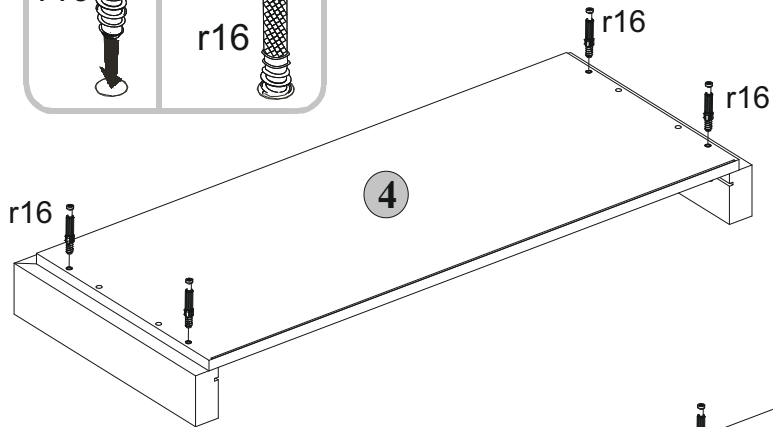
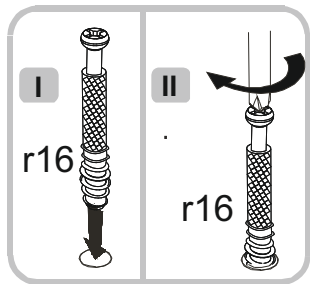
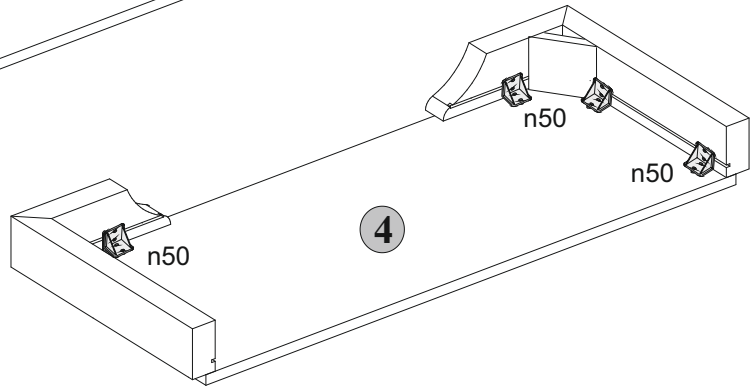
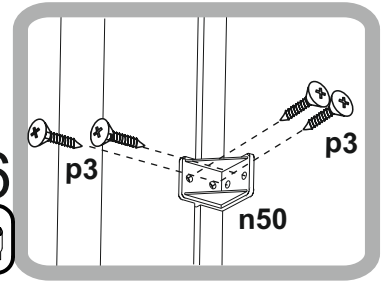


6x  n50	26x  r16	26x  r1 φ15 #16	26x  s2		
4x  w300	24x  p3 φ3.5x16 mm	8x  c65	8x  d6	50x  l1	48x  p1 φ3.5x13 mm
1x  z1	16x  f1 φ8x30 mm	16x  e1 7x50	16x  s1	8x  j1 φ4x20 mm	<b>1</b>

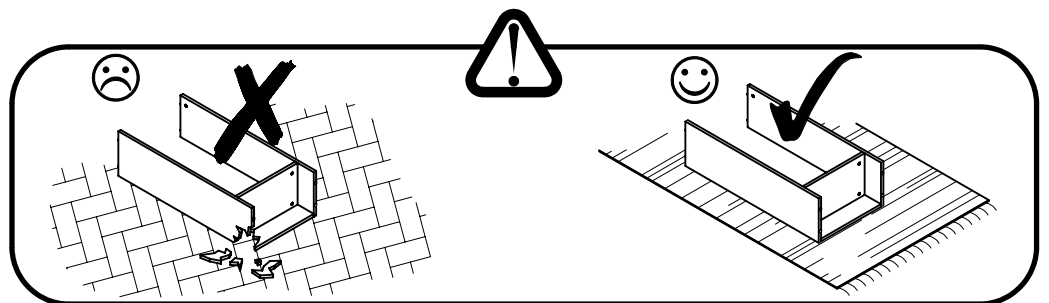
# I



x6

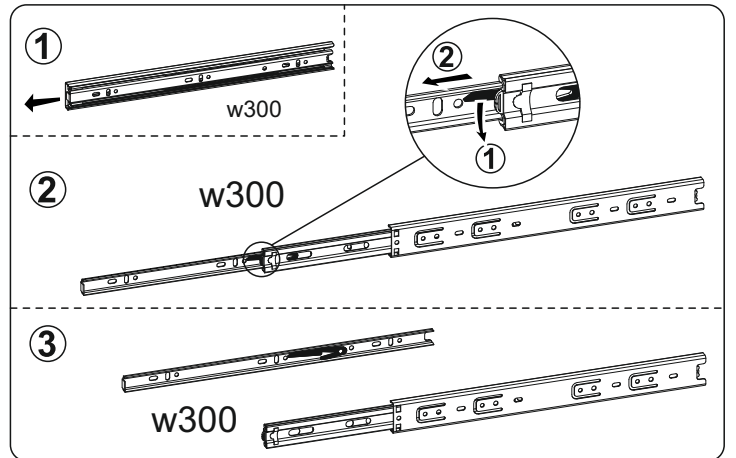
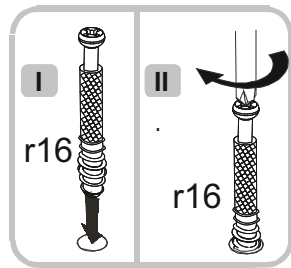
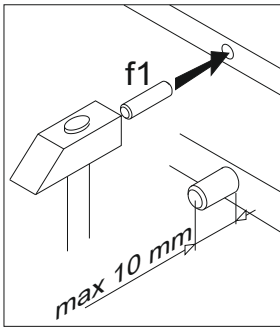
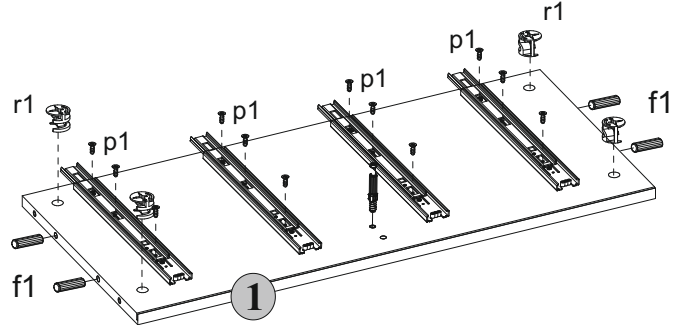
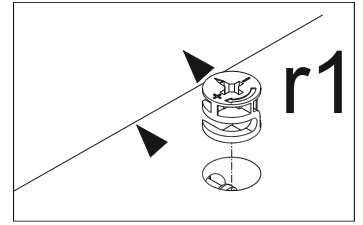
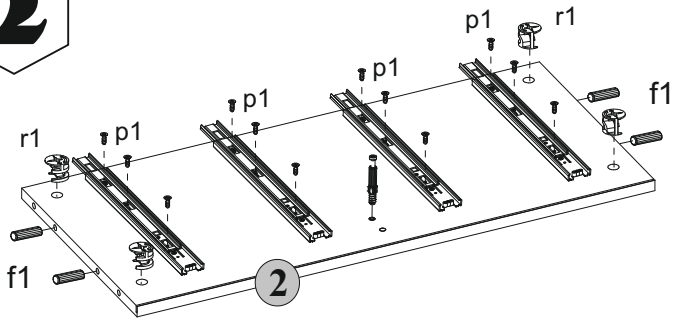


# 2

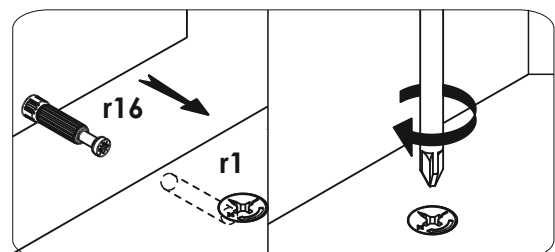
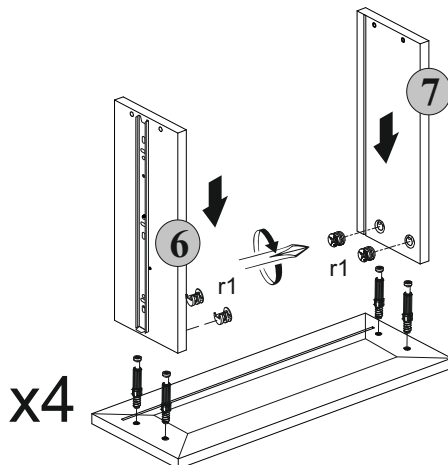
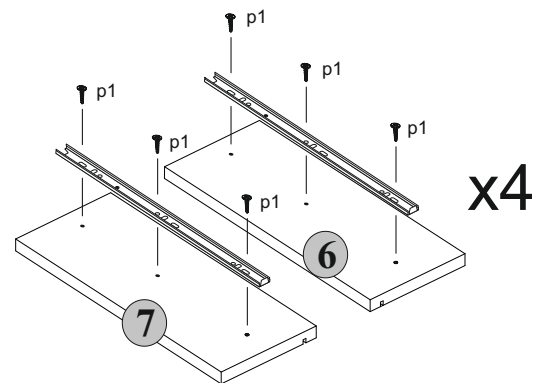
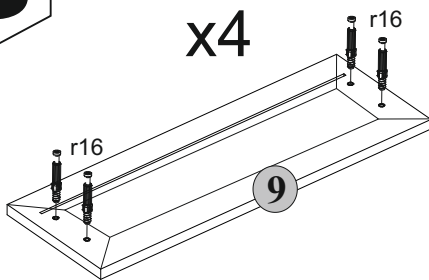




**2**

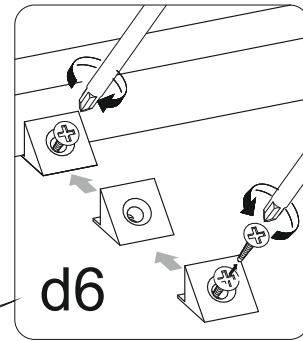
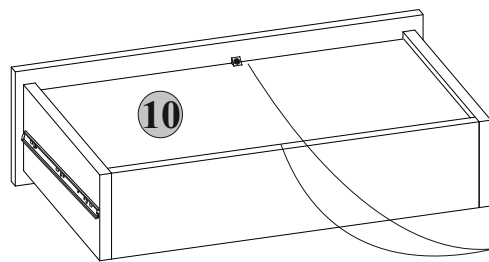
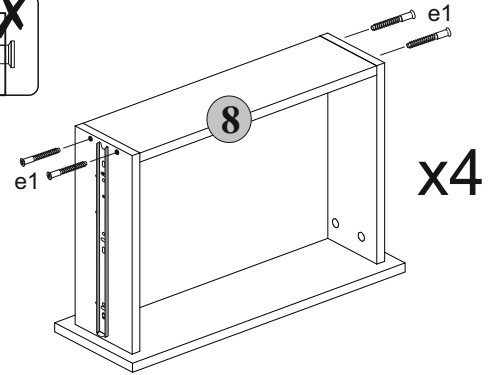
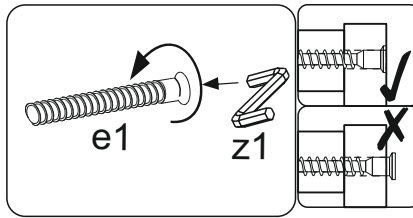
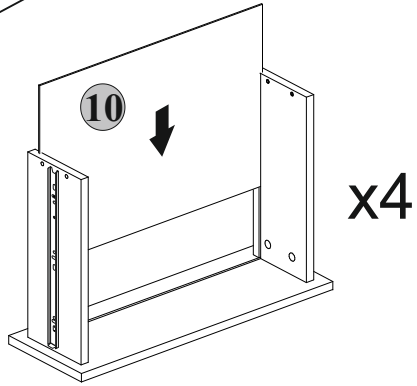


**3**

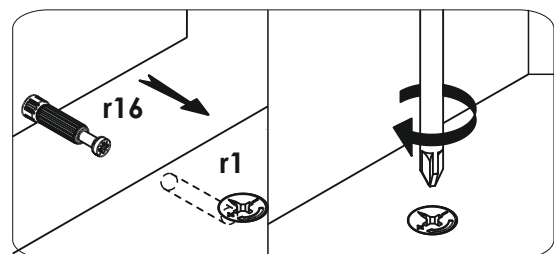
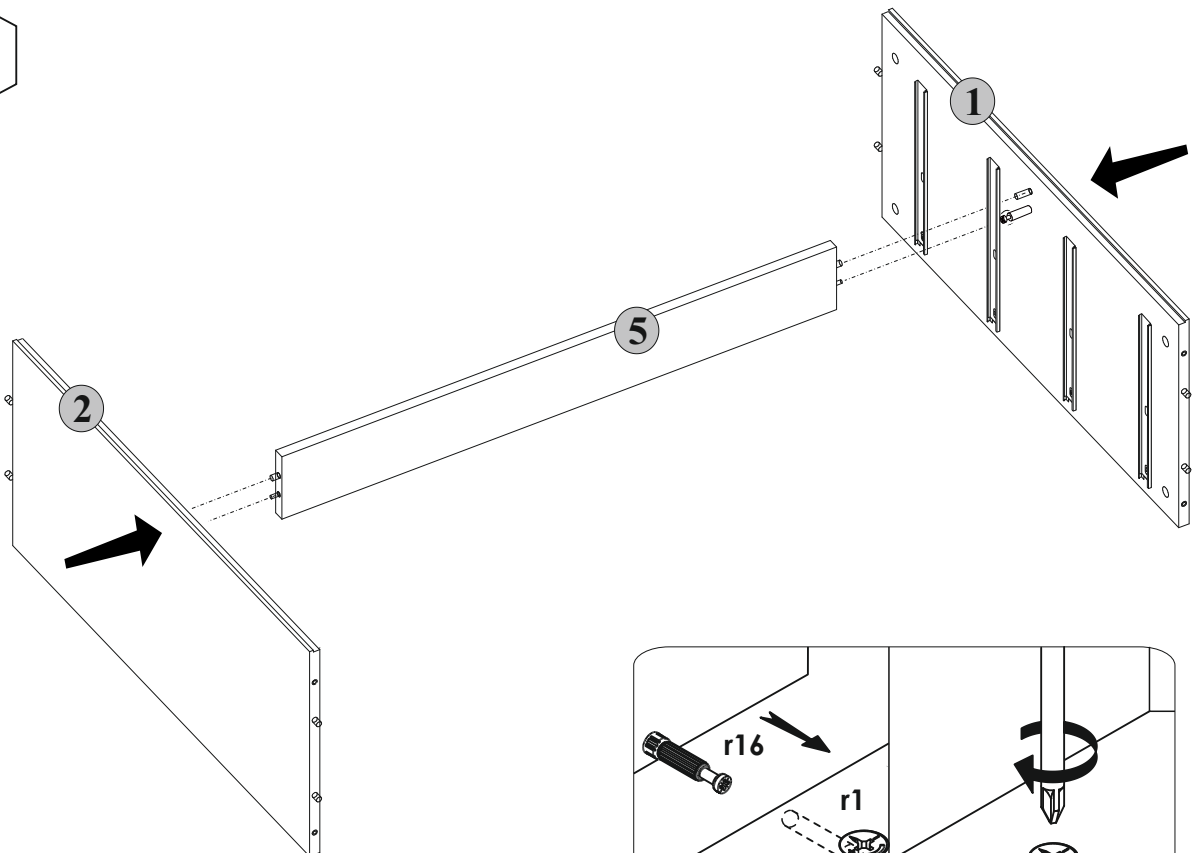


**3**

4

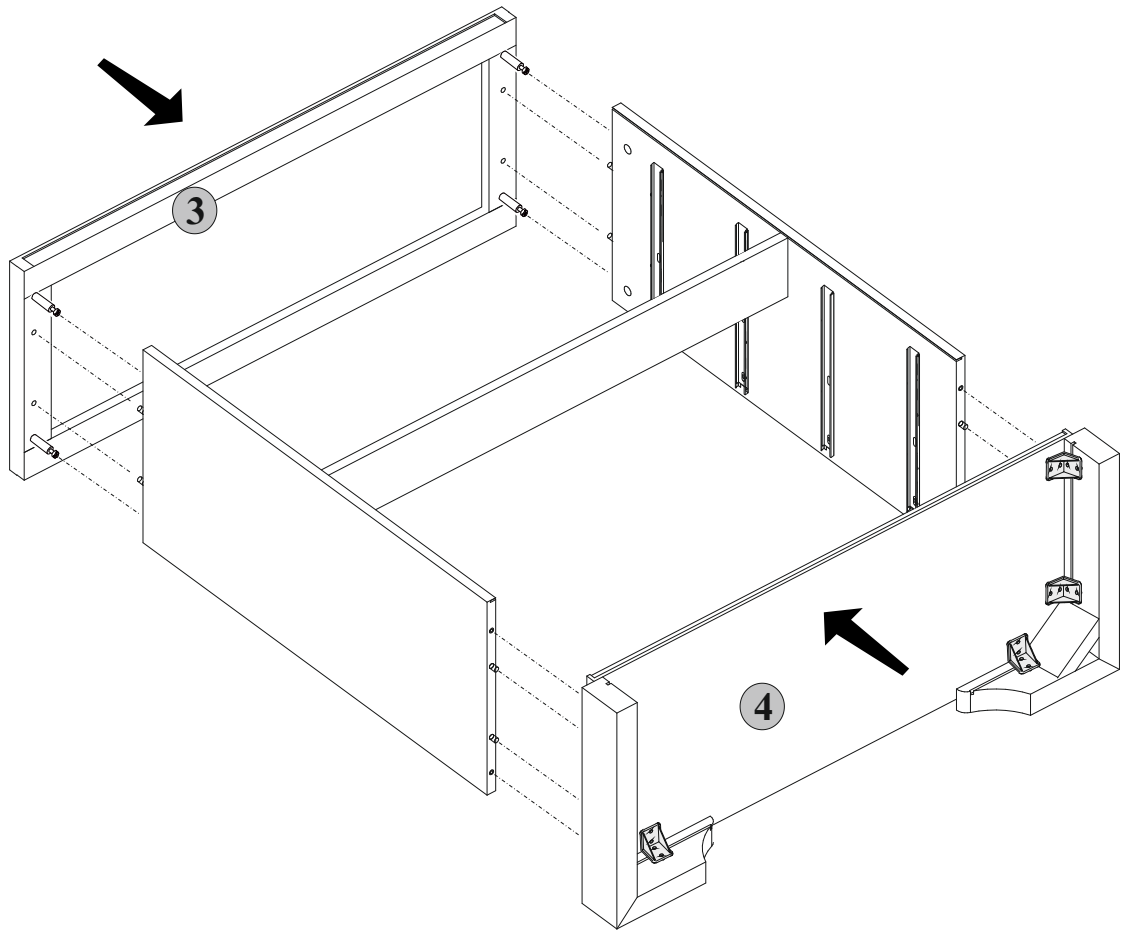


5

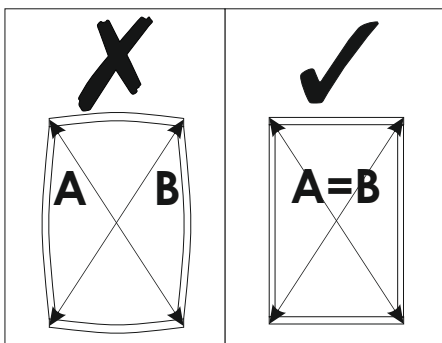
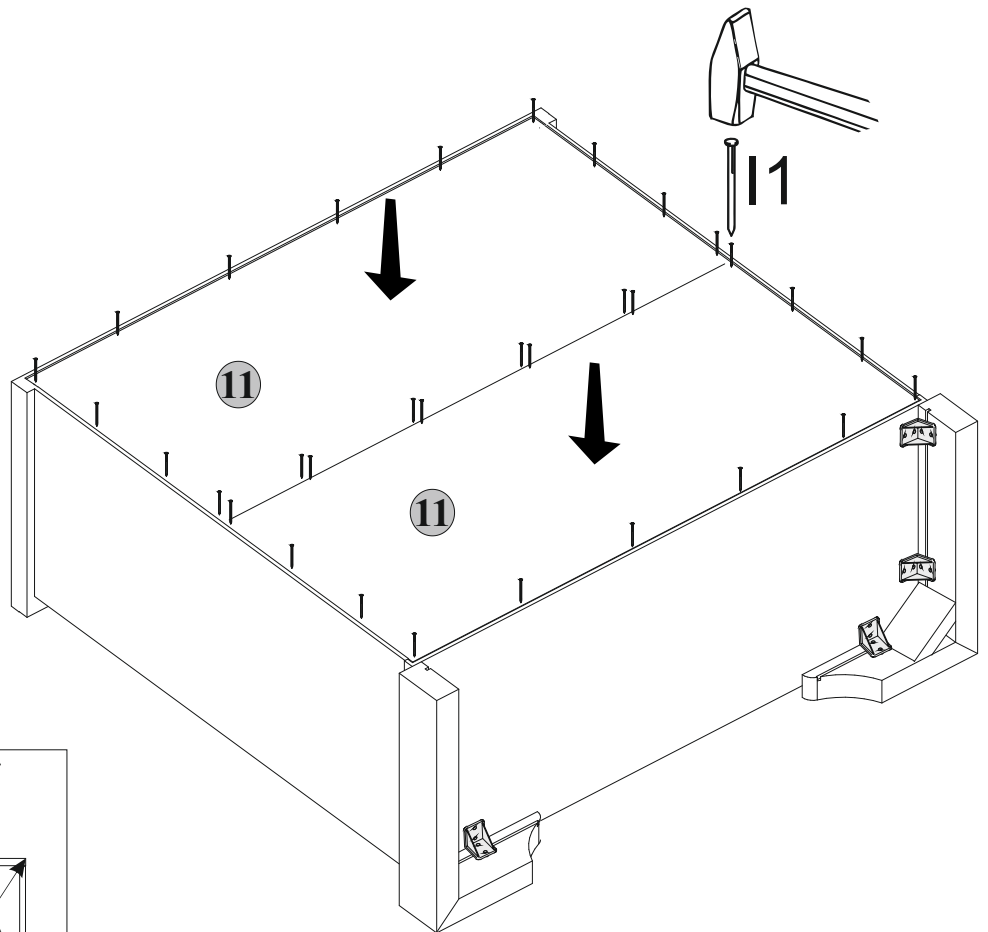


4

6

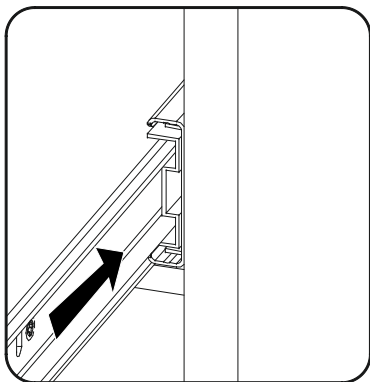
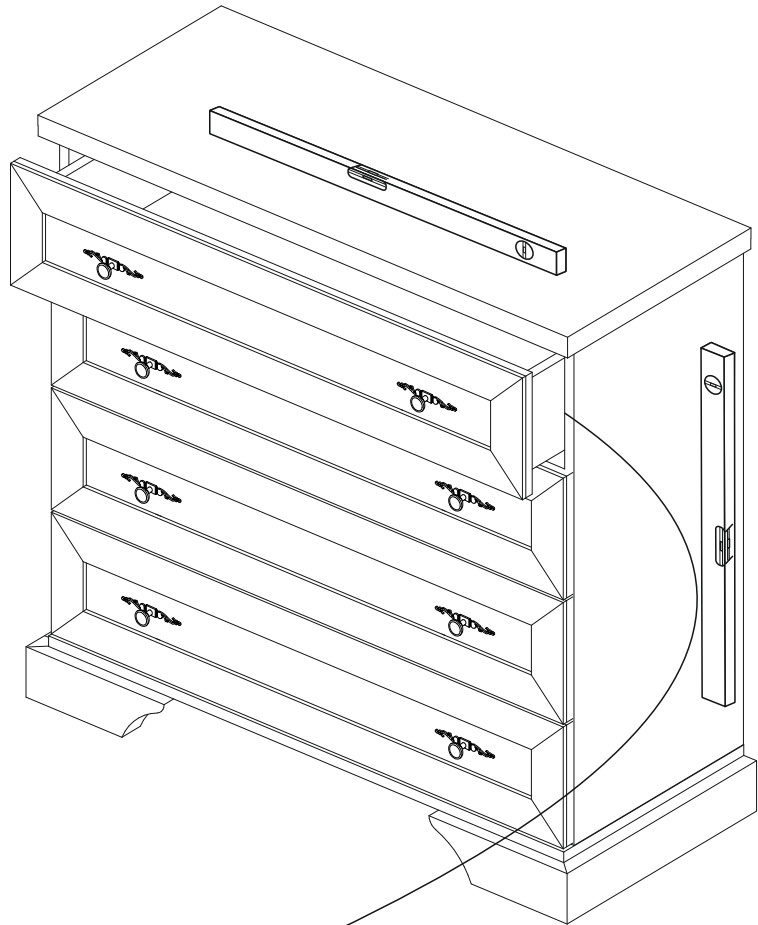
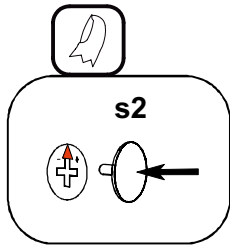
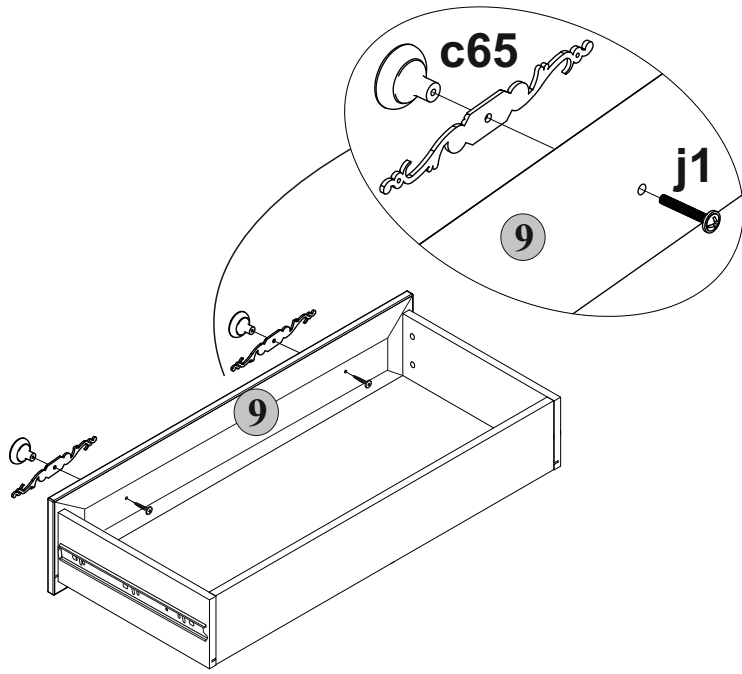


7



5

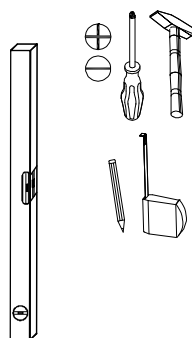
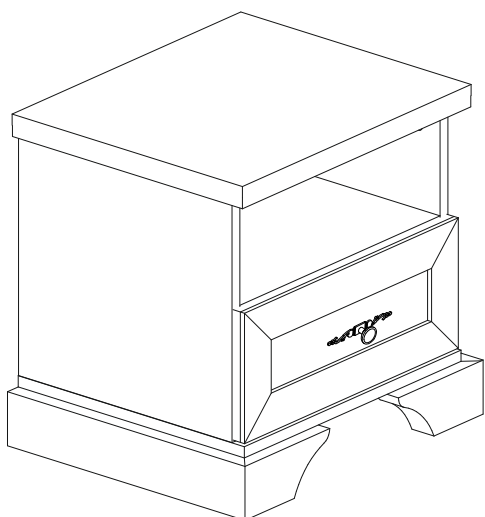
8



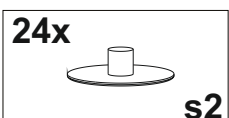
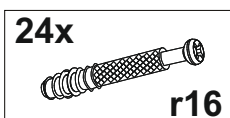
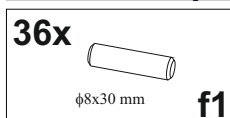
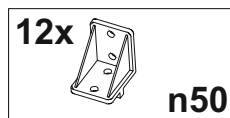
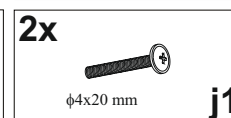
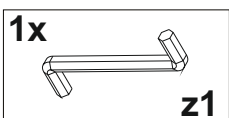
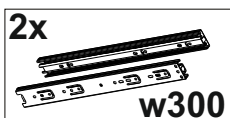
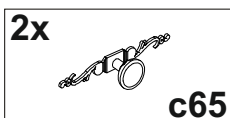
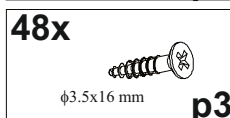
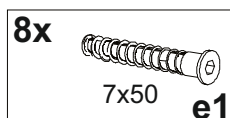
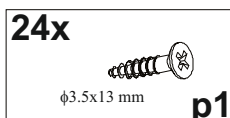
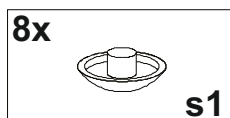
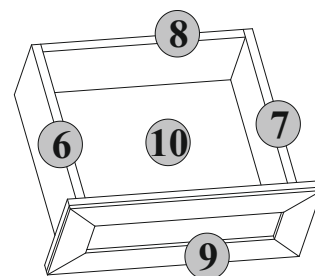
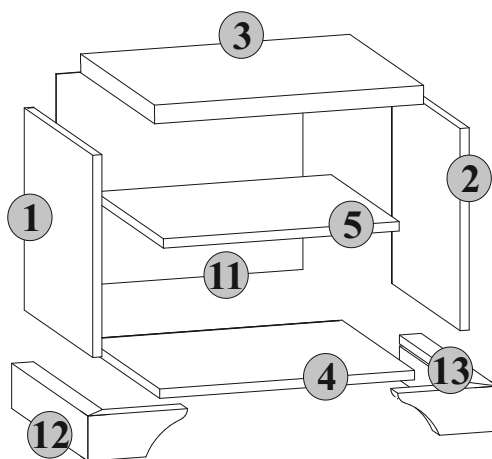
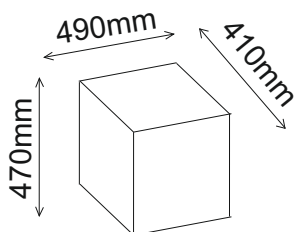
6

number	Measurements	Pcs.
1	345x368	1
2	345x368	1
3	470x397	1
4	446x390	1
5	412x365	1
6	340x140	1
7	340x140	1
8	354x140	1
9	186x440	1
10	364x334	1
11	364x431	1

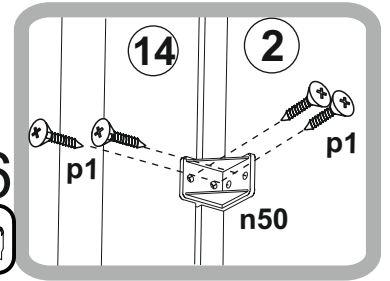
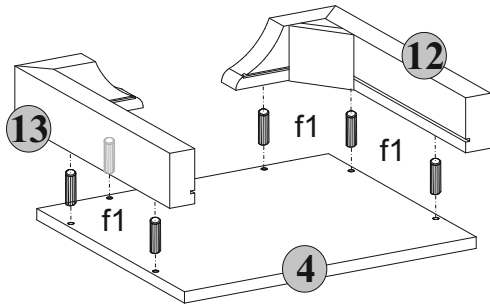
12	410x174x77	1
13	410x174x77	1



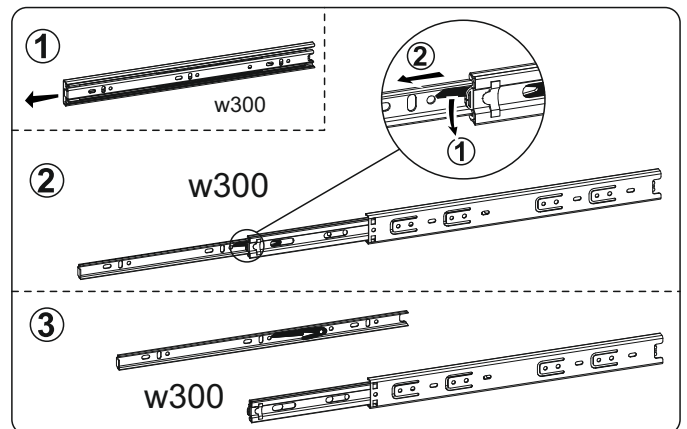
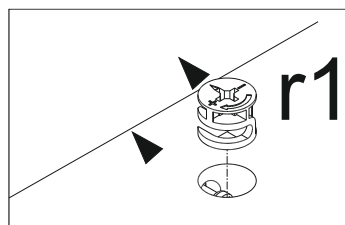
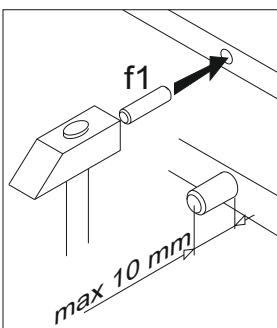
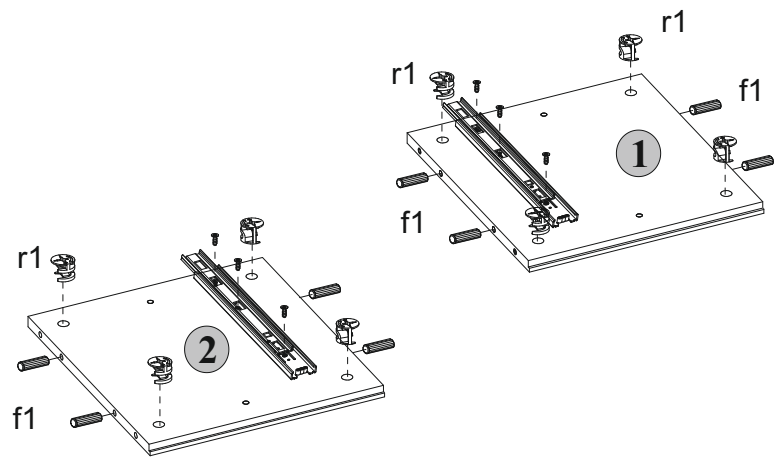
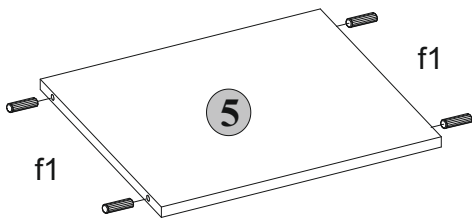
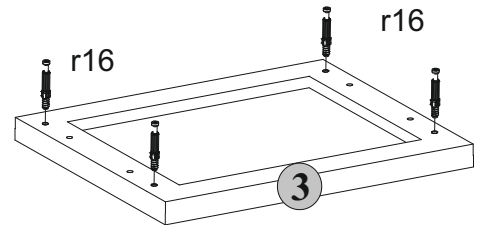
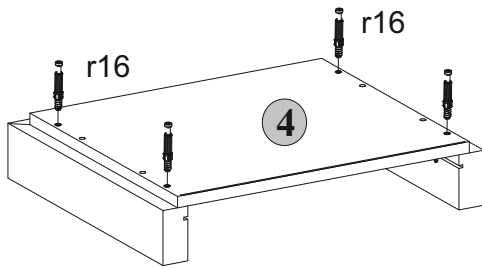
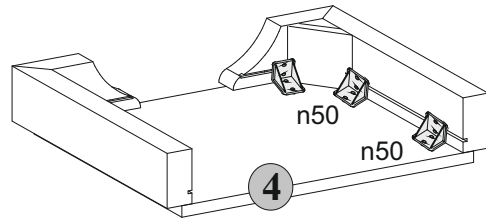
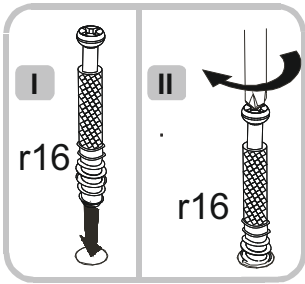
x2



# I

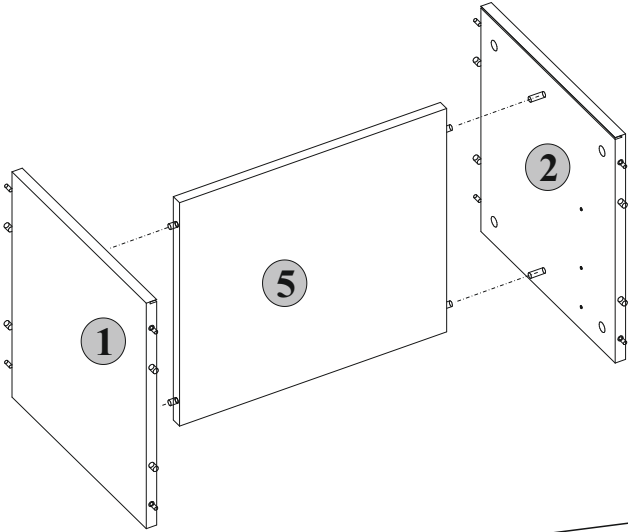


x6

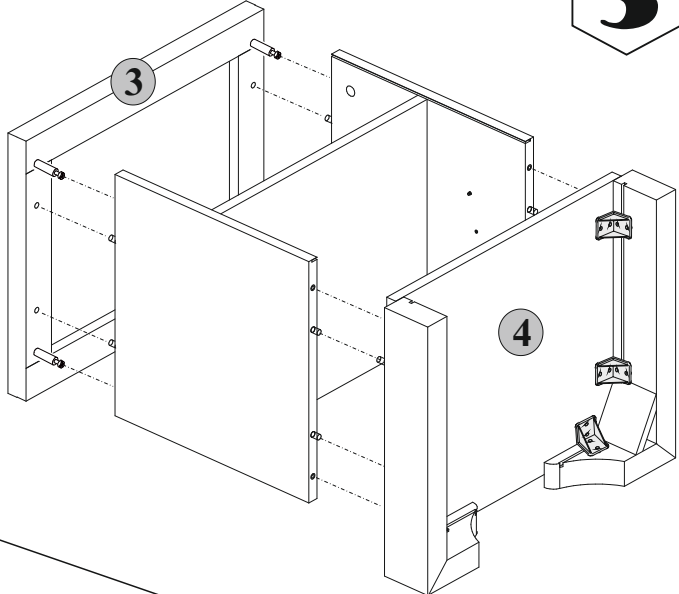
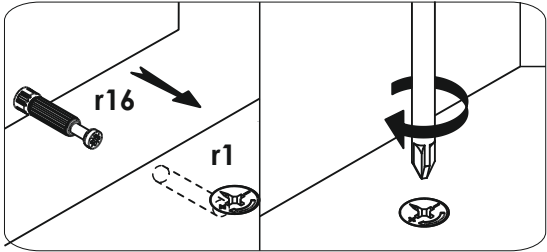


# 2

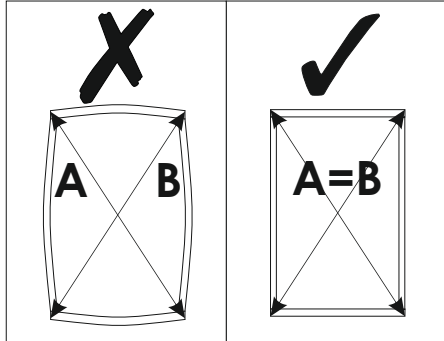
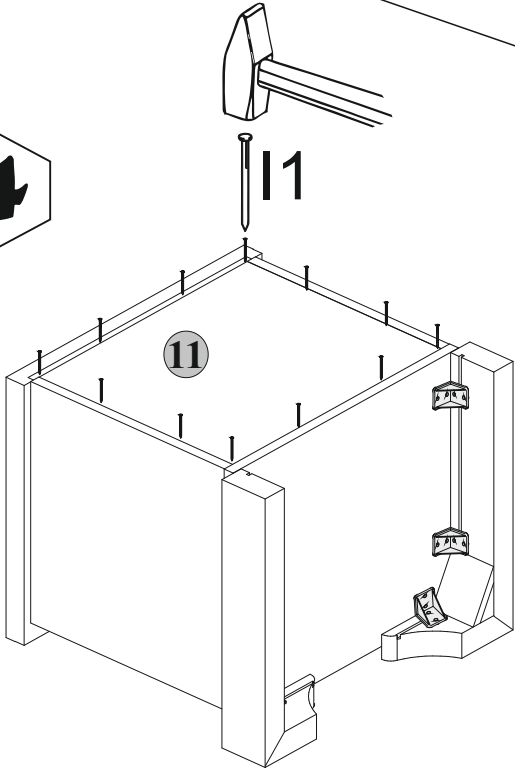
**2**



**3**

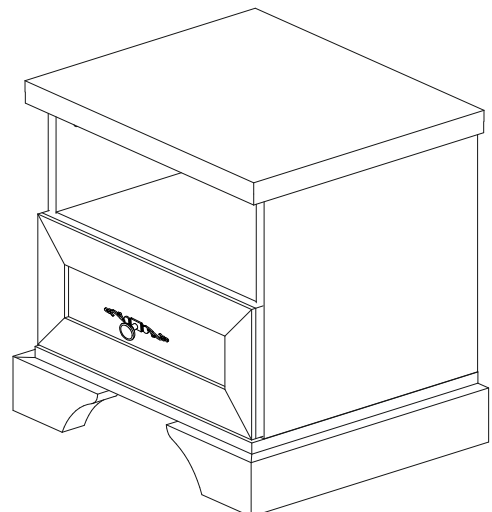
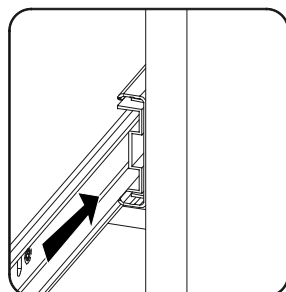
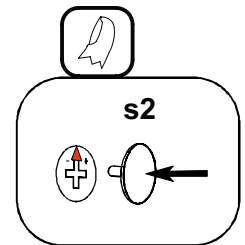
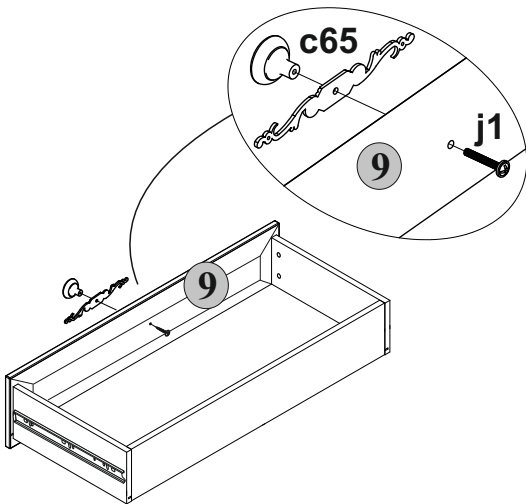
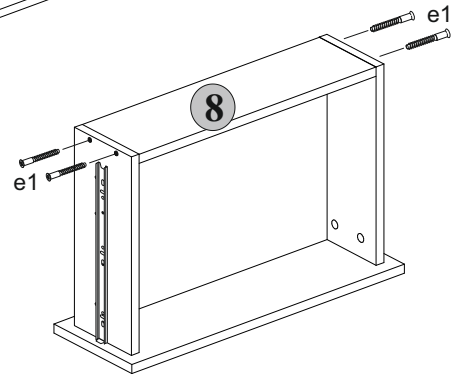
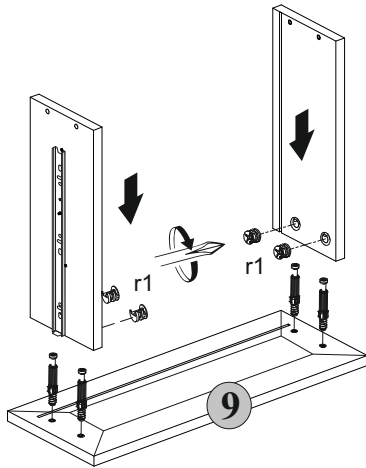
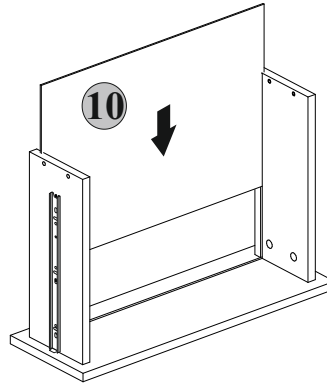
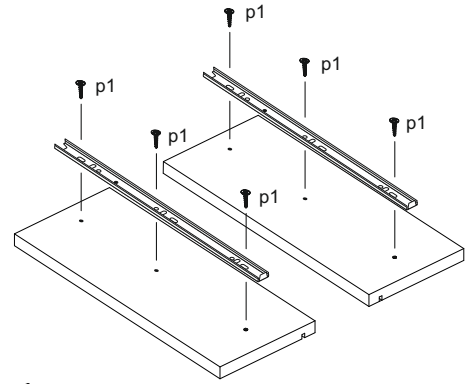
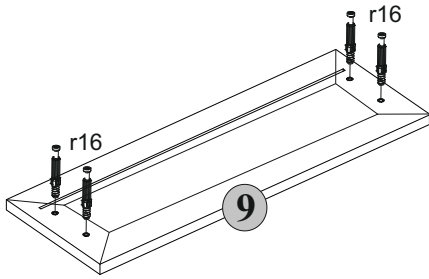


**4**



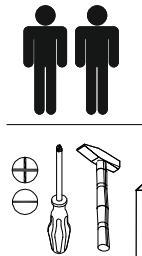
**3**

5



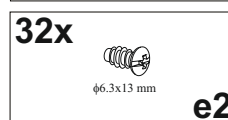
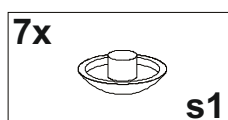
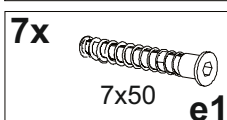
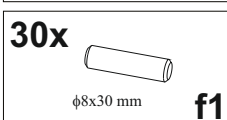
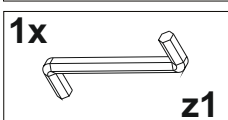
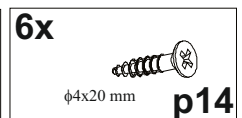
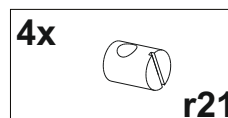
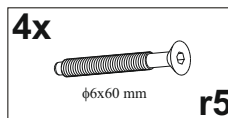
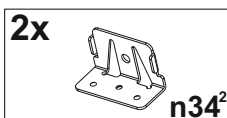
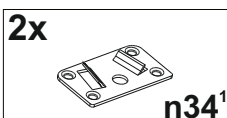
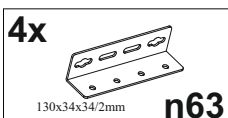
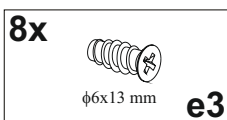
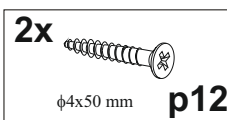
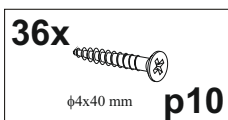
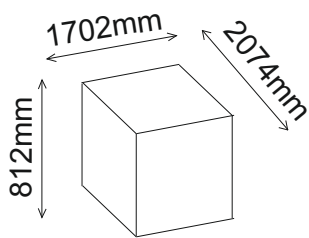
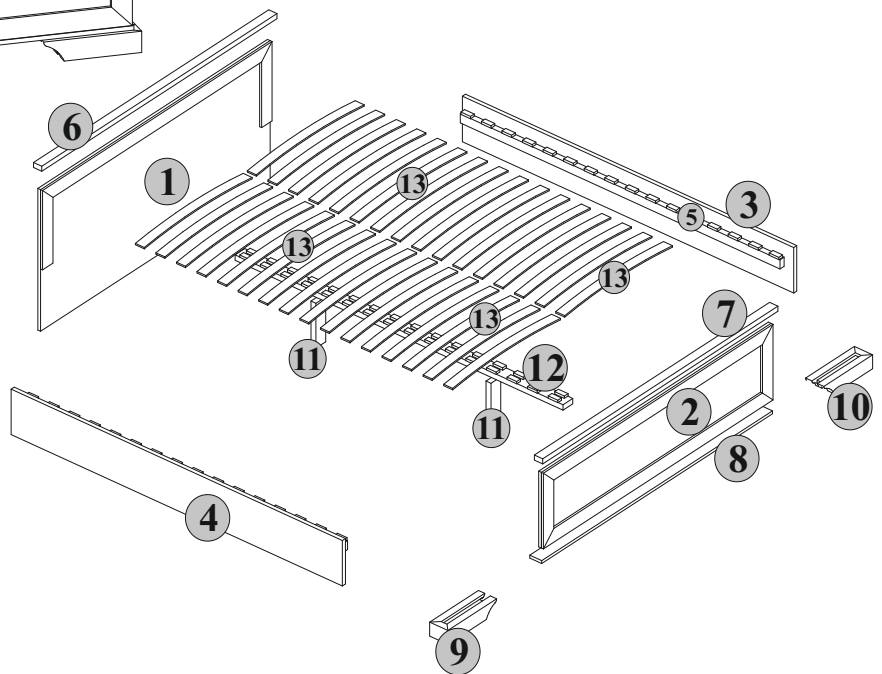
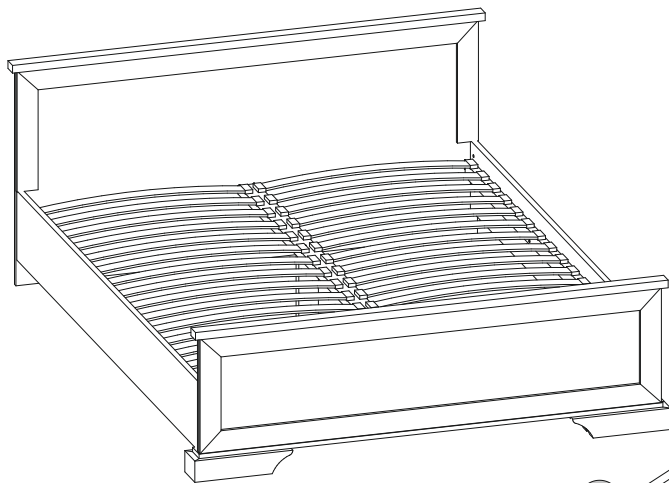
4

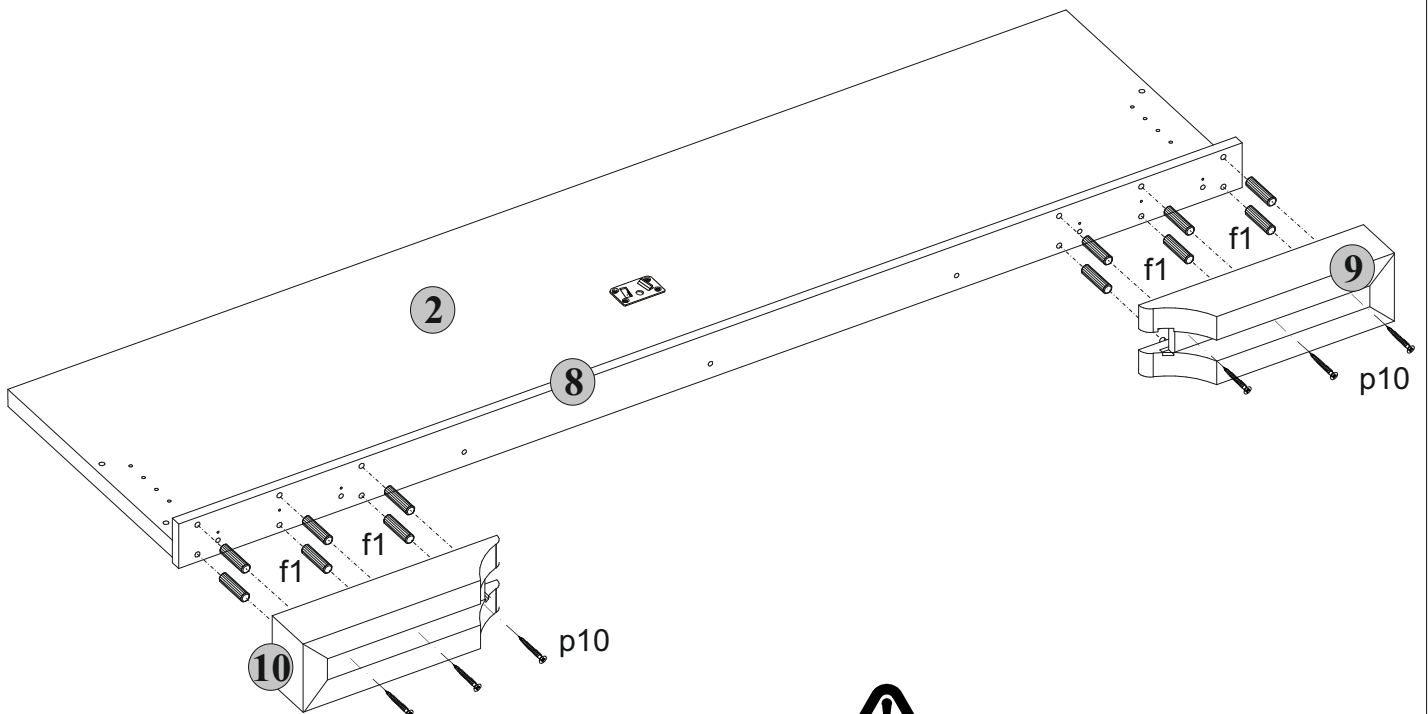
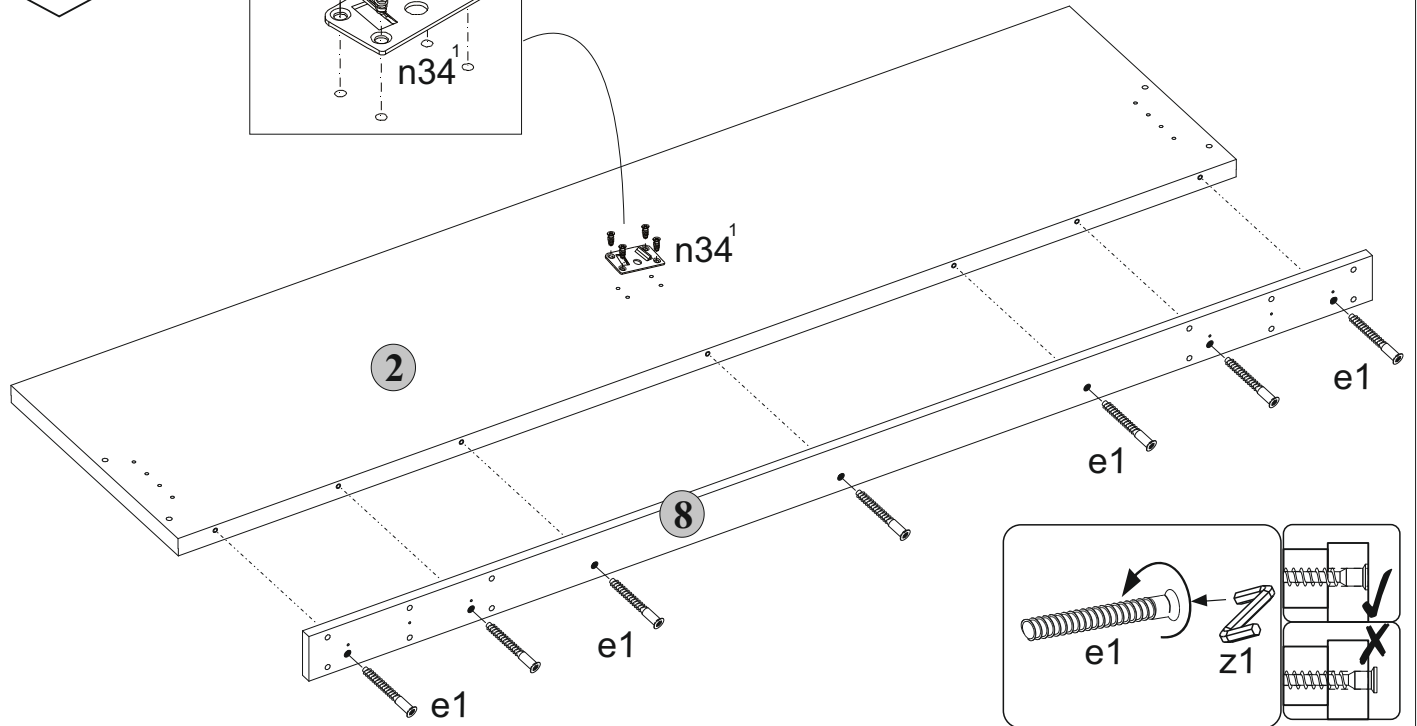
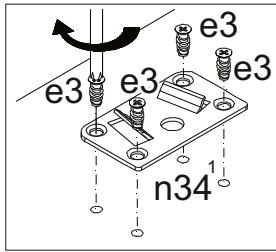




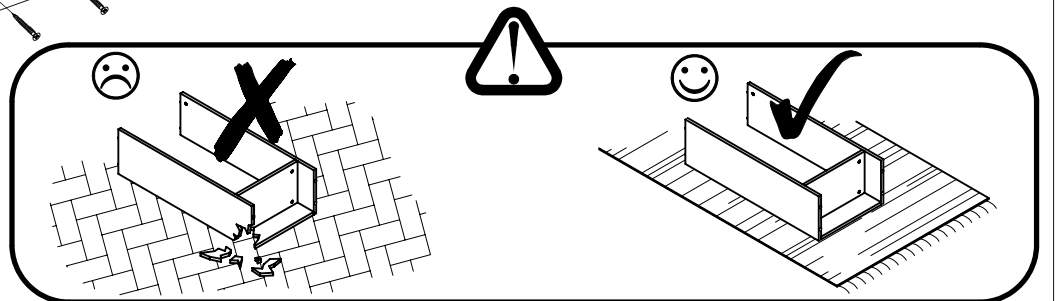
number	Measurements	Pcs.
1	1650x780	1
2	1650x417	1
3	1998x250	1
4	1998x250	1
5	1928x50	2
6	1690x50	1
7	1690x50	1
8	1658x72	1
9	350x110	1
10	350x110	1
11	247x70	2

12	1978x70	1
13	54x777	32

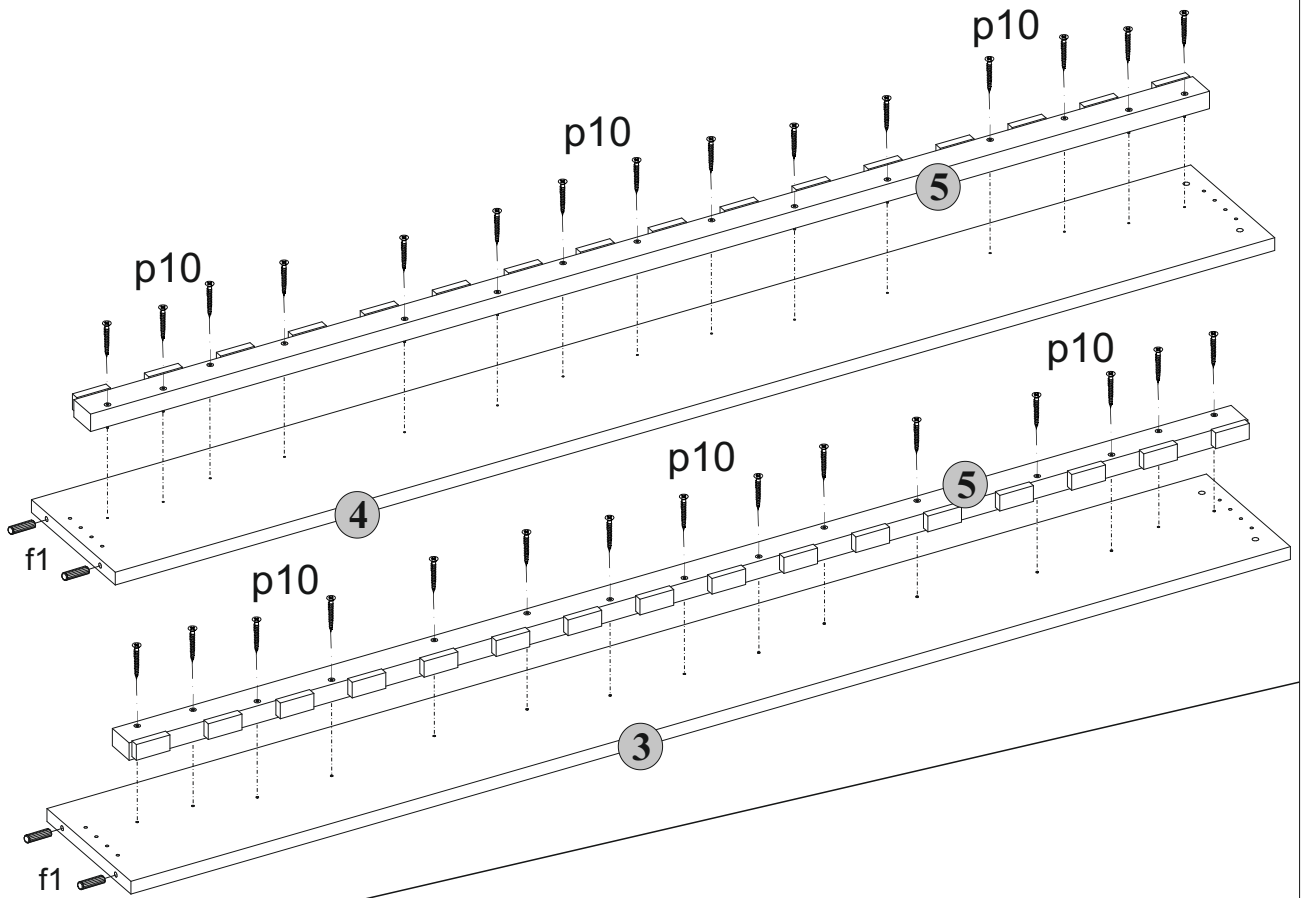




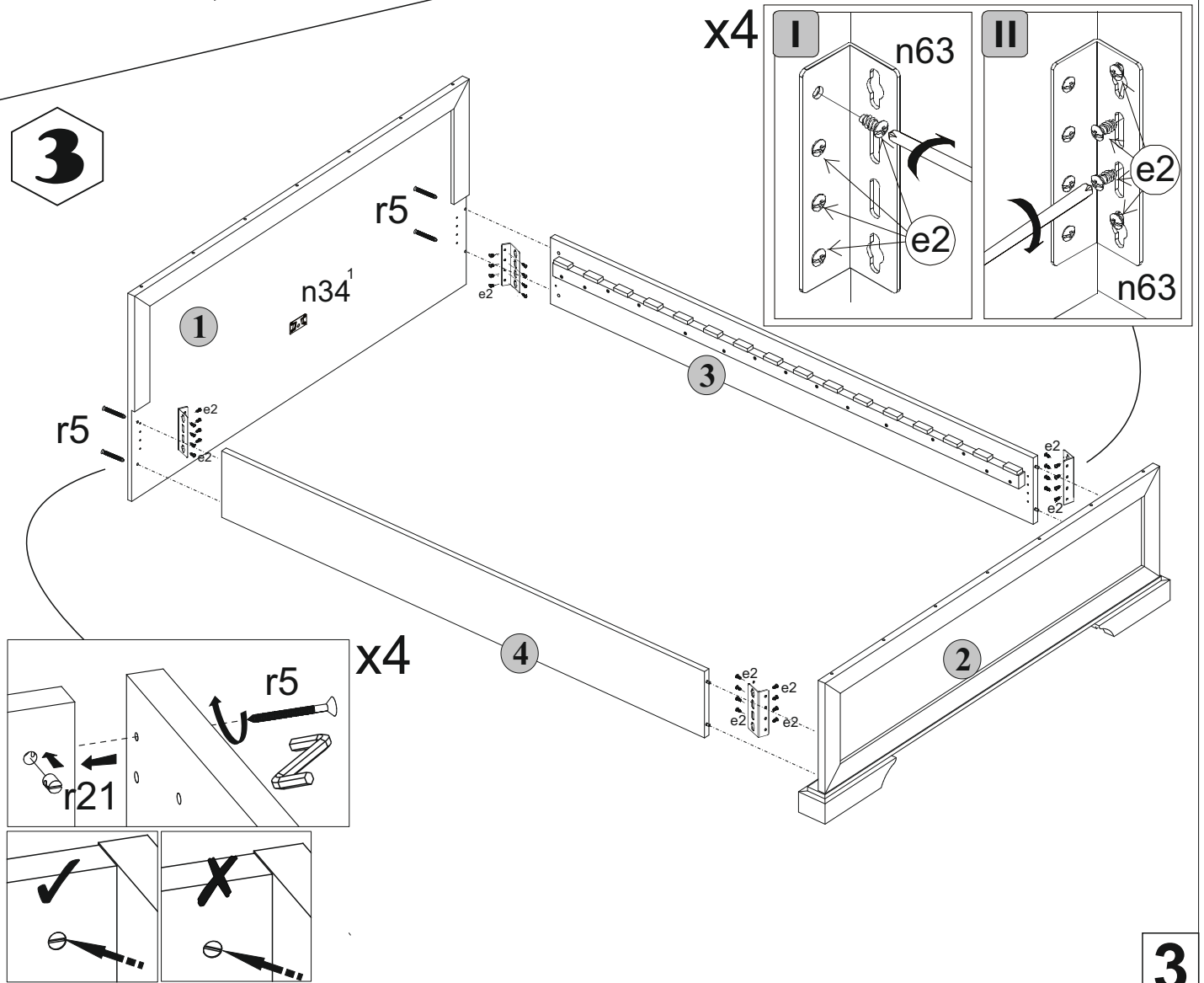
2



**2**

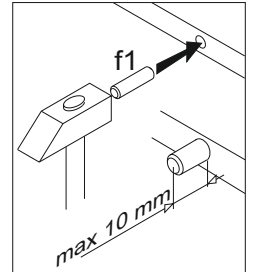
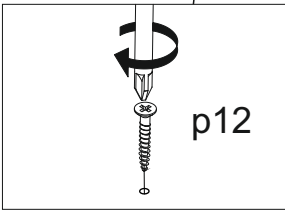
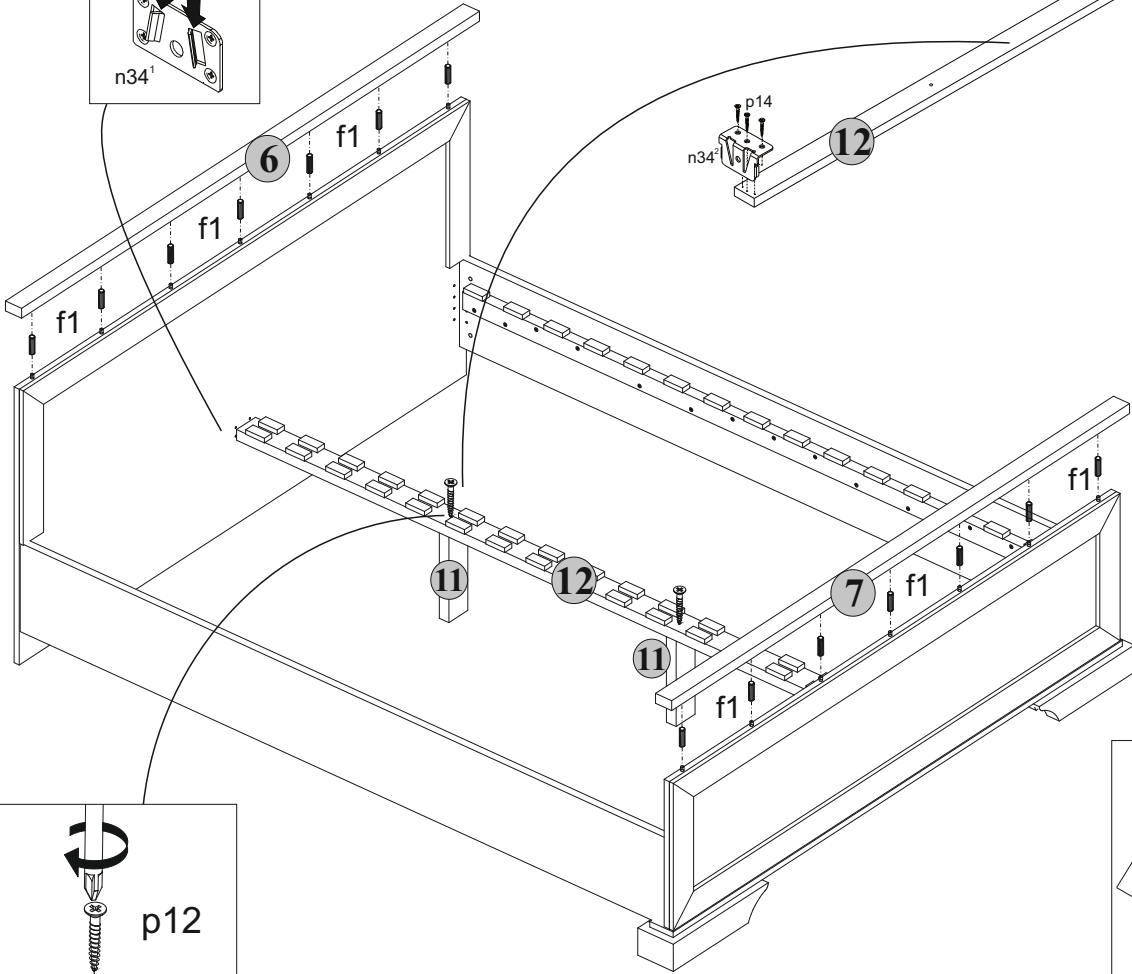
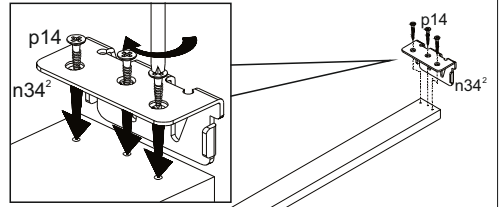
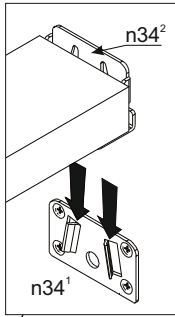


**3**

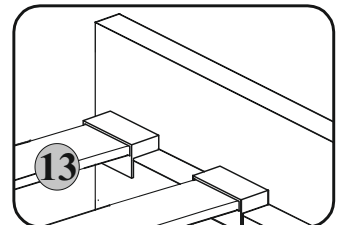
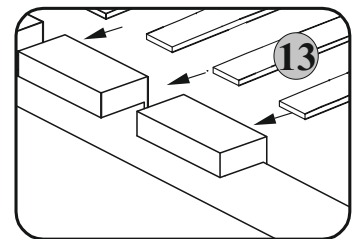
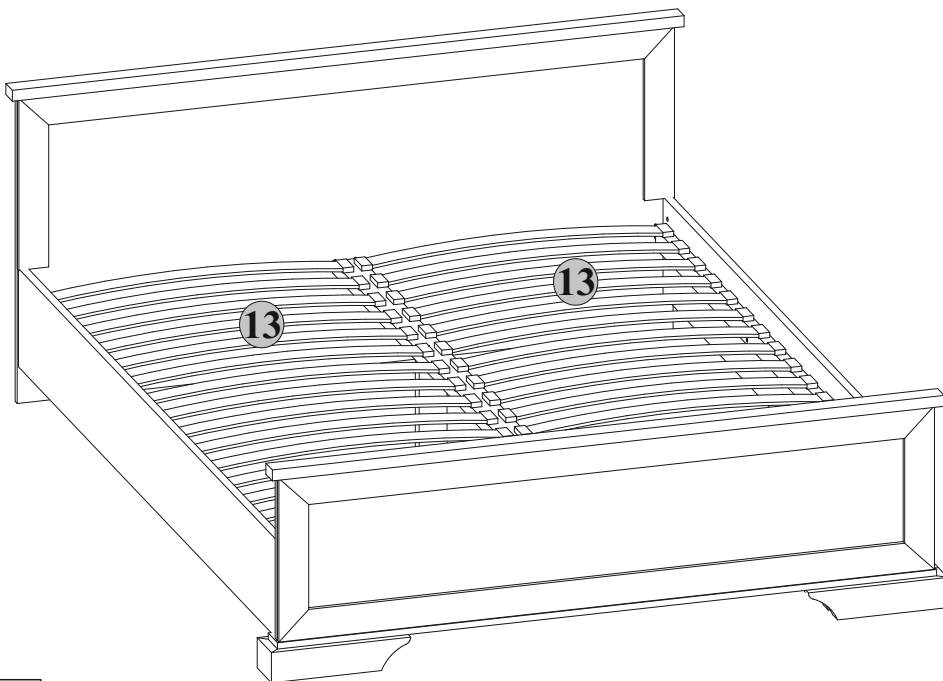


**3**

4

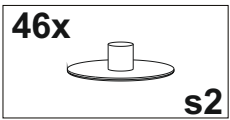
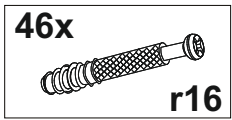
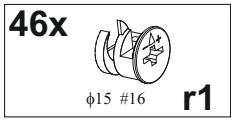
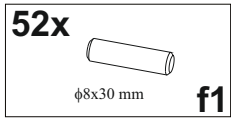
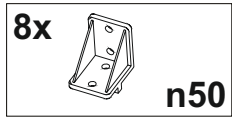
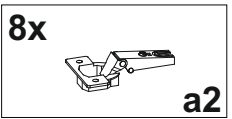
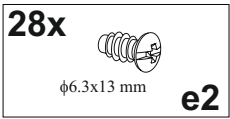
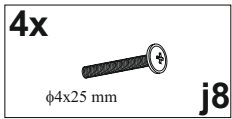
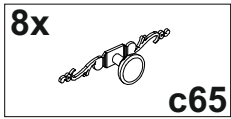
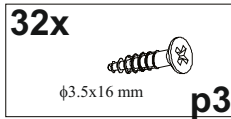
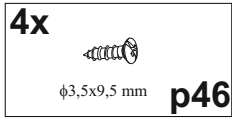
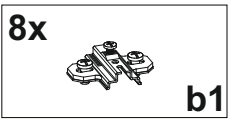
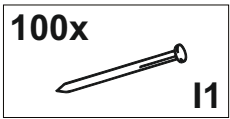
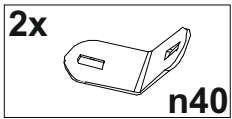
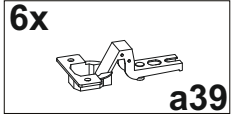
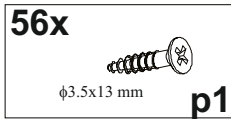
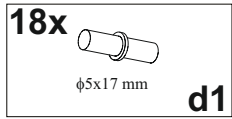
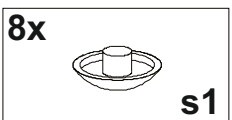
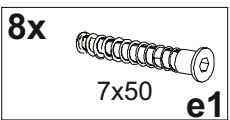
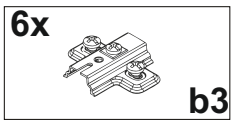
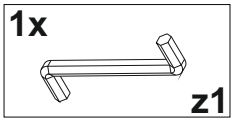
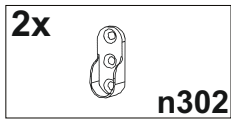
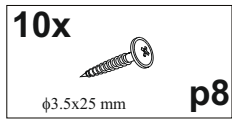
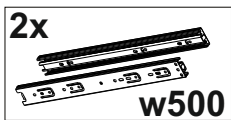
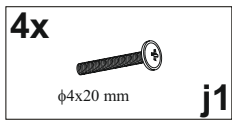
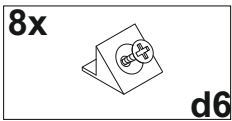
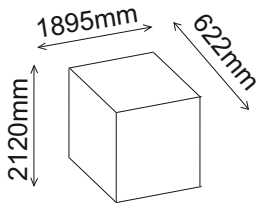
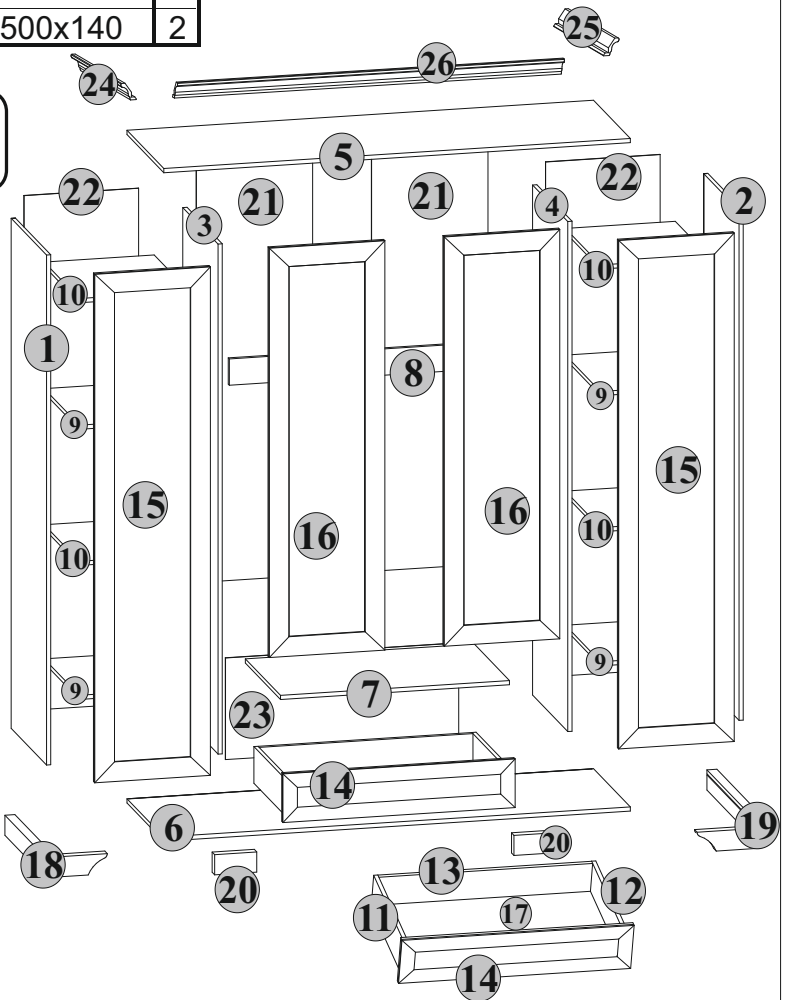
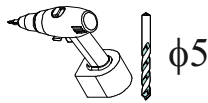
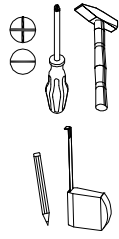
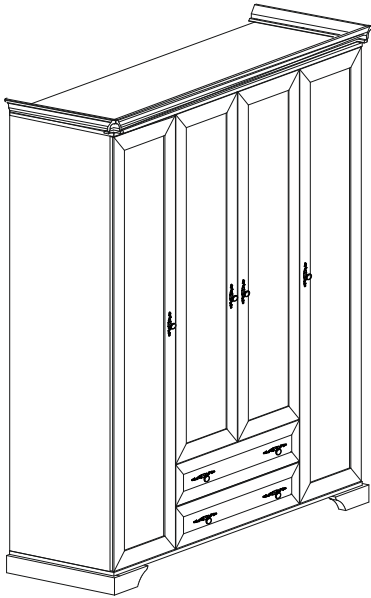


5

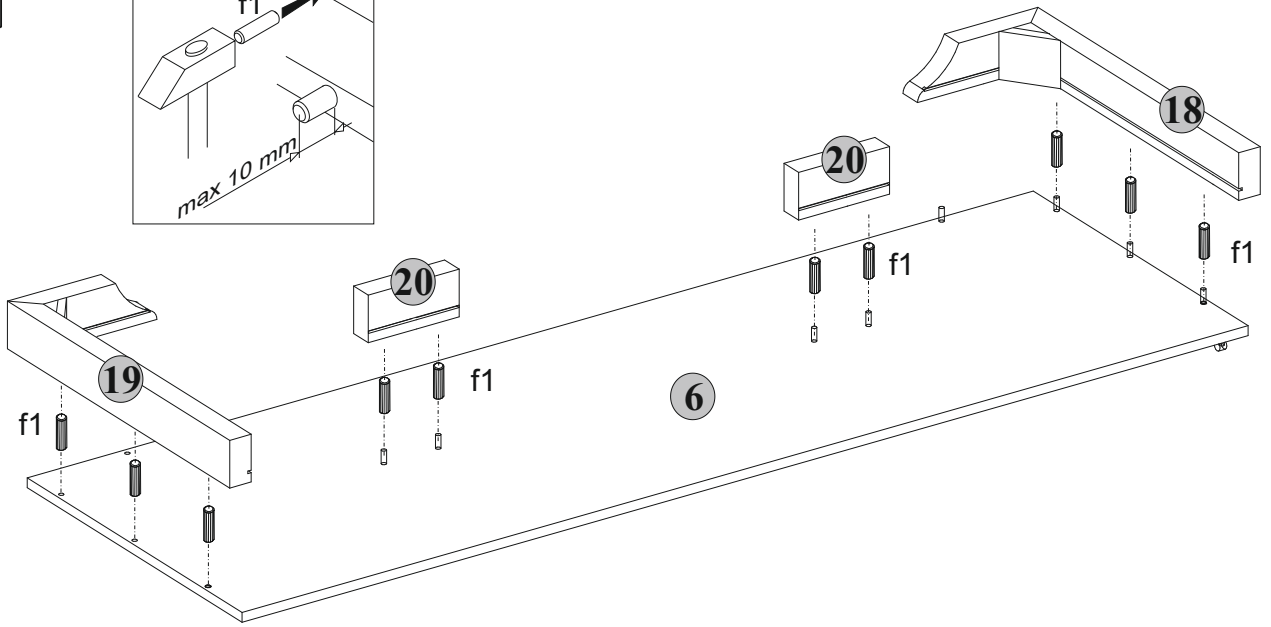
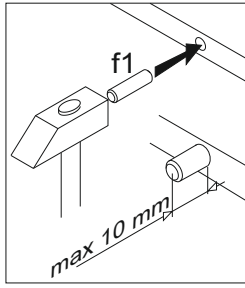


4

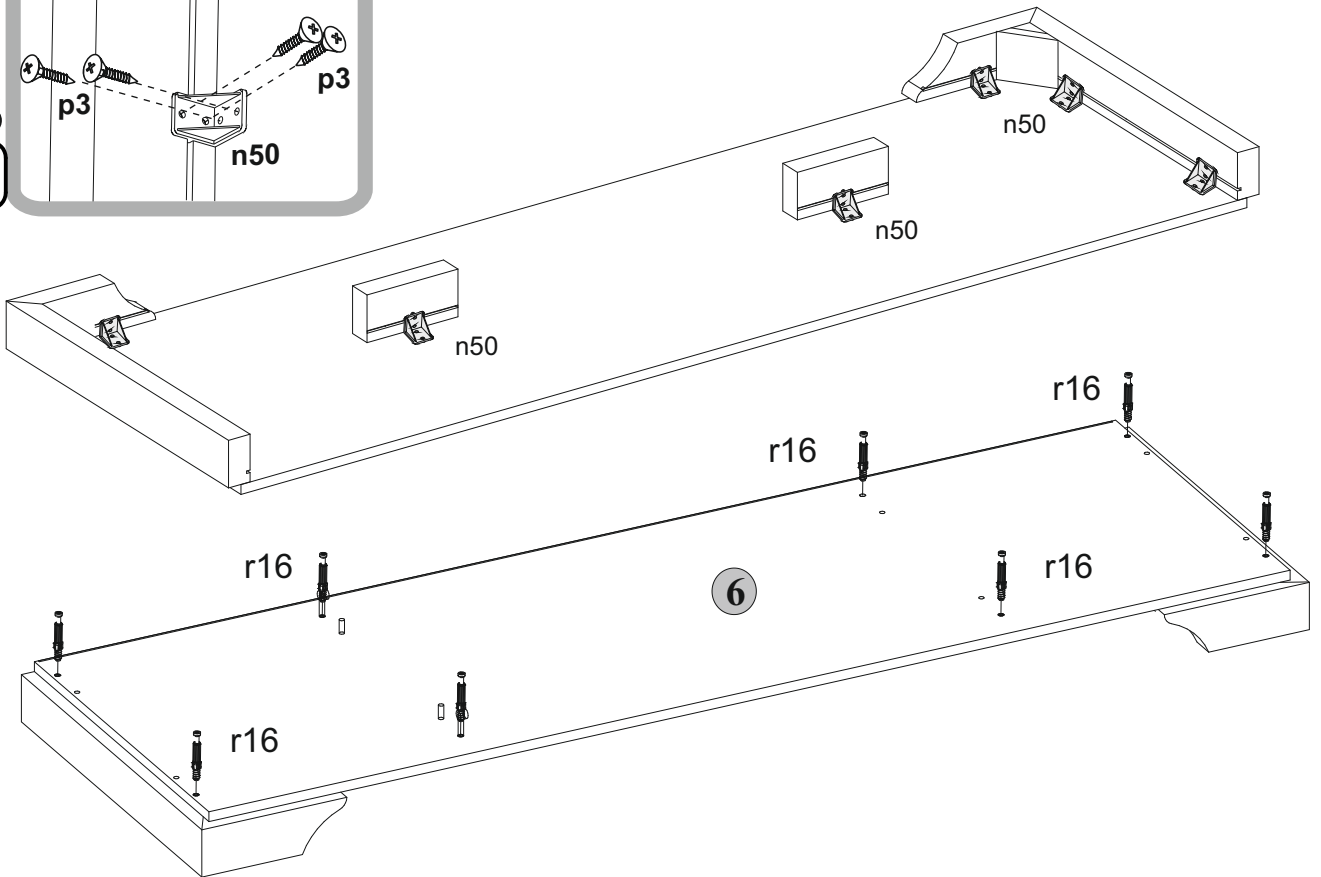
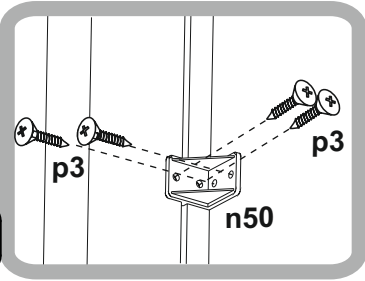
number	Measurements	Pcs.
1	1951x540	1
2	1951x540	1
3	1951x537	1
4	1951x537	1
5	1776x562	1
6	1776x562	1
7	872x537	1
8	872x100	1
9	419x536	4
10	418x536	4
11	500x140	2
12	500x140	2
13	814x140	2
14	186x884	2
15	1945x440	2
16	1566x440	1
17	824x494	2
18	582x238x77	1
19	582x238x77	1
20	160x77	2
21	1581x443	2
22	1970x436	2
23	389x888	1
24	555x	1
25	555x	1
27	1847x	1
28	1560x	1
29	868x	1



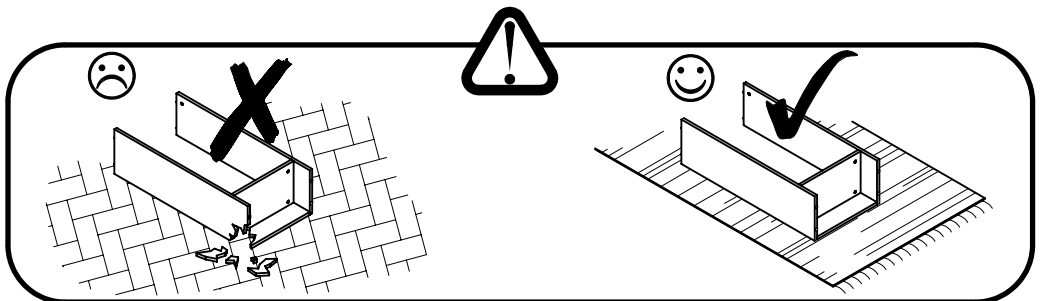
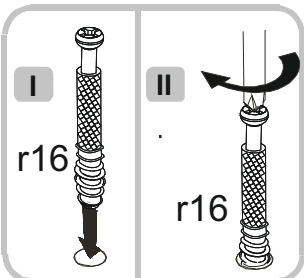
# I



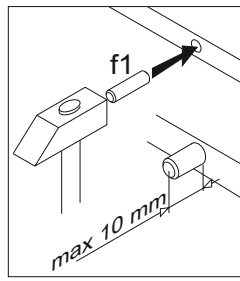
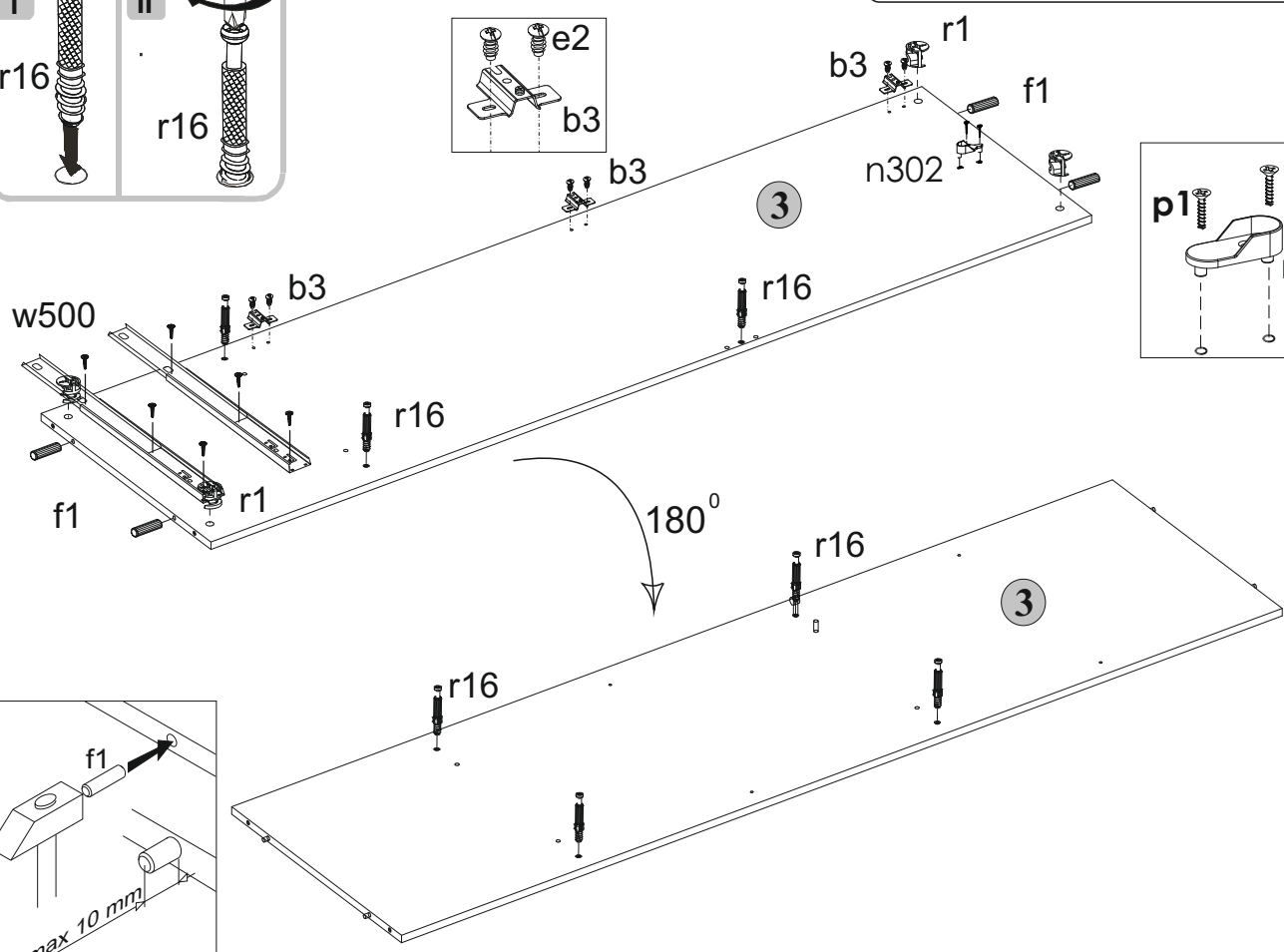
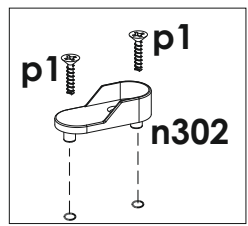
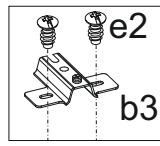
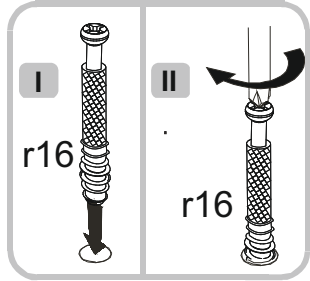
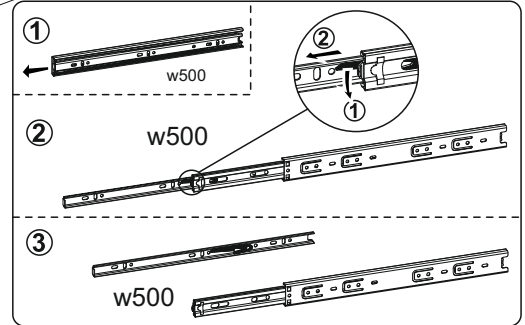
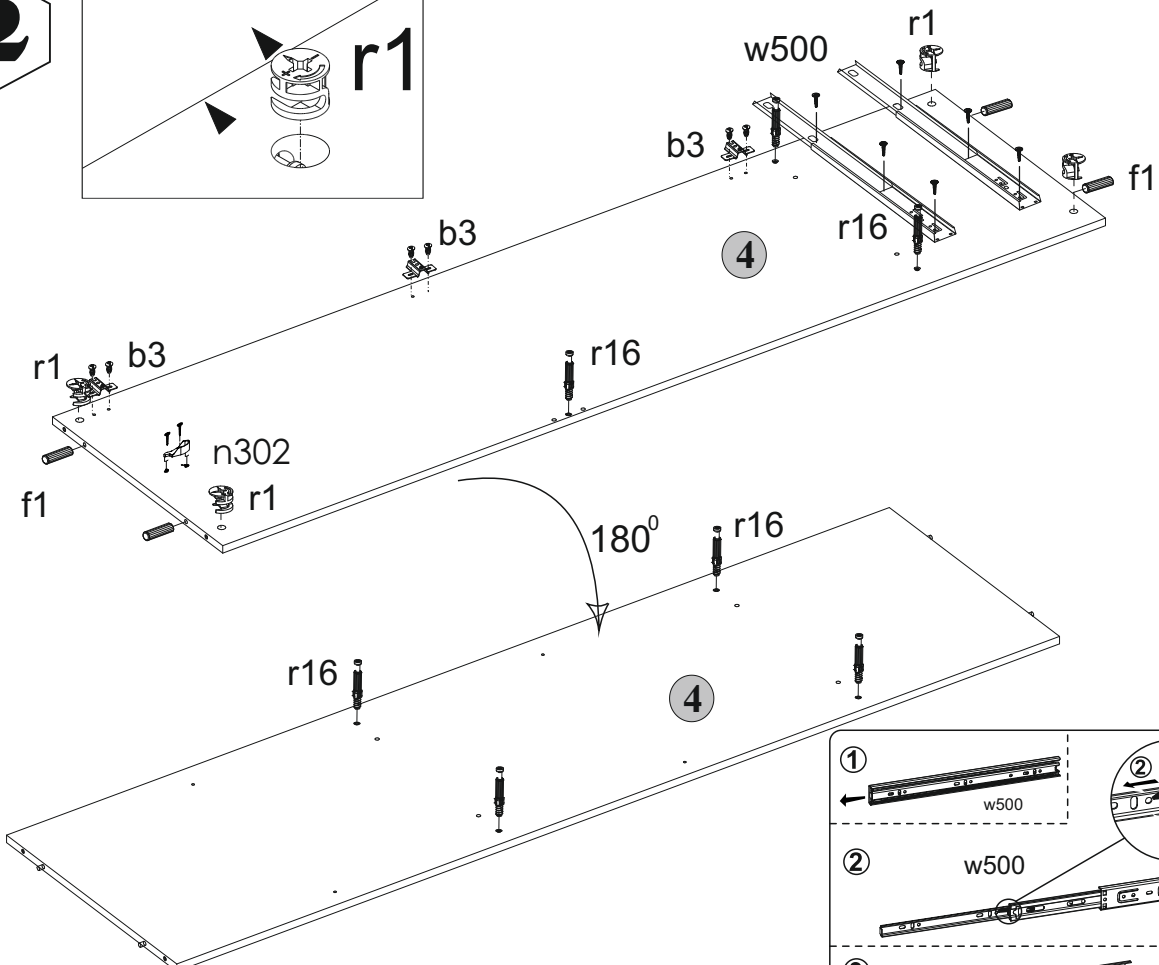
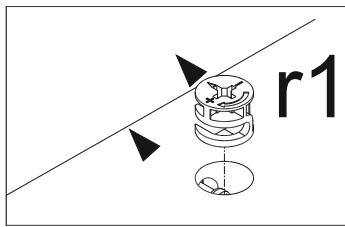
x8



# 2

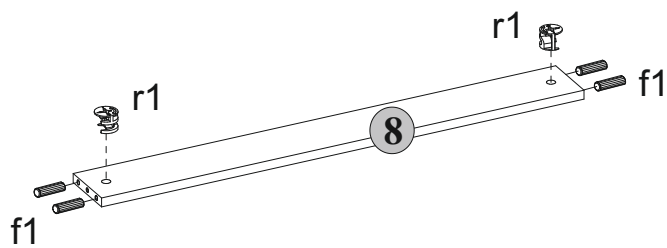
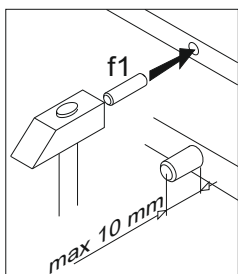
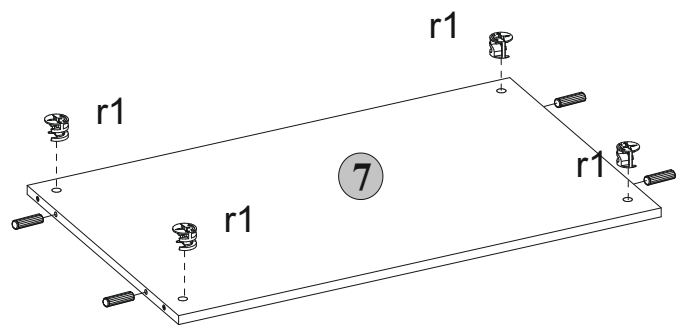
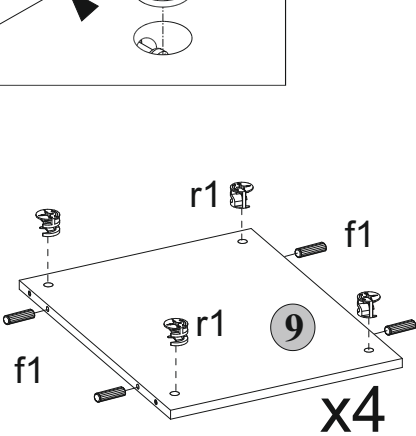
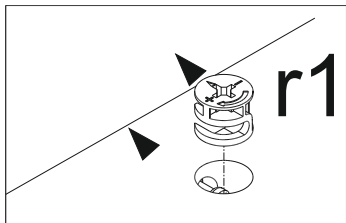
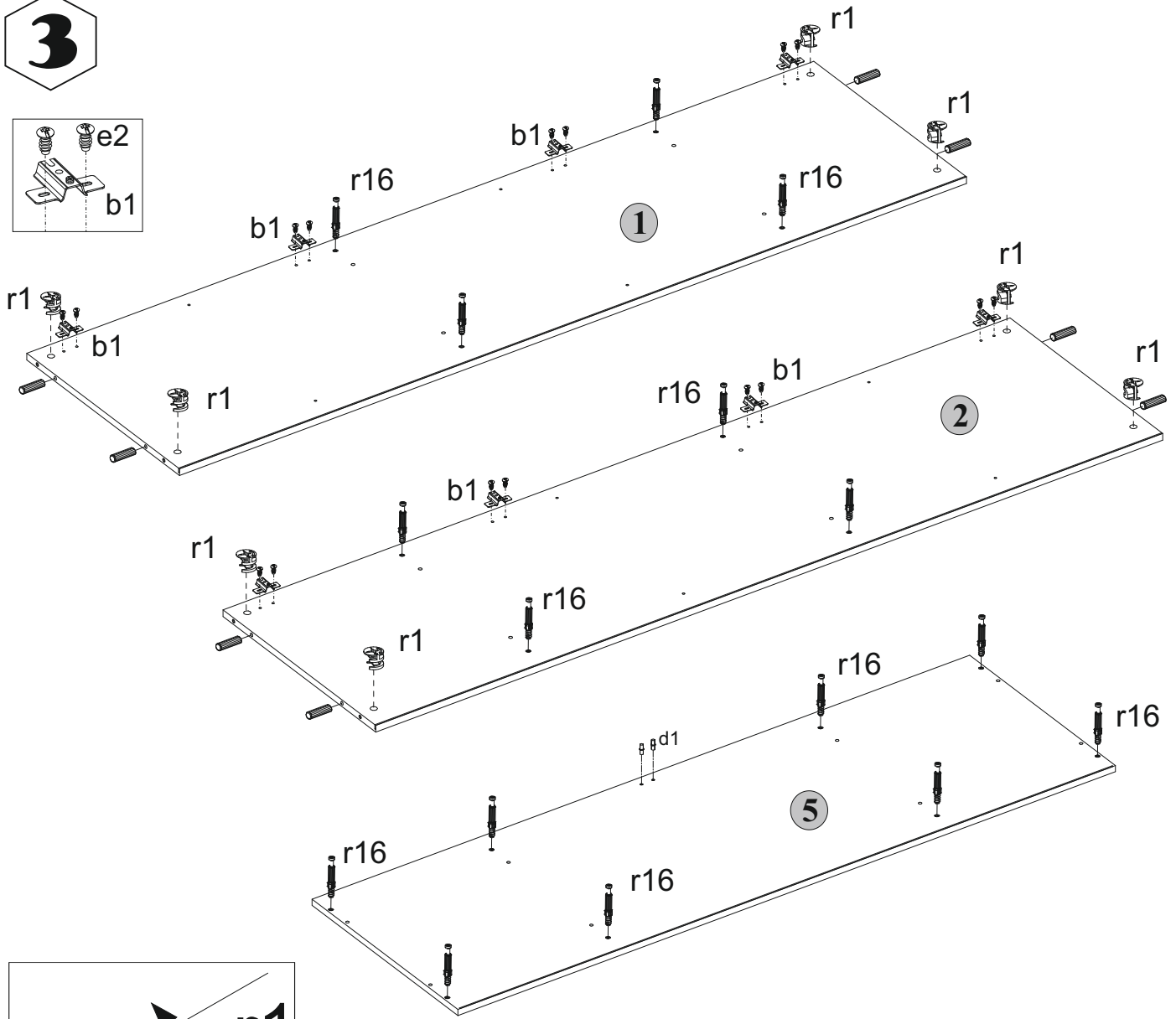
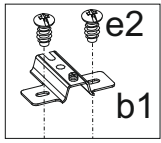


2



3

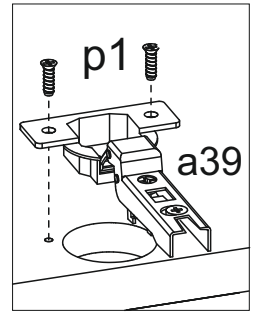
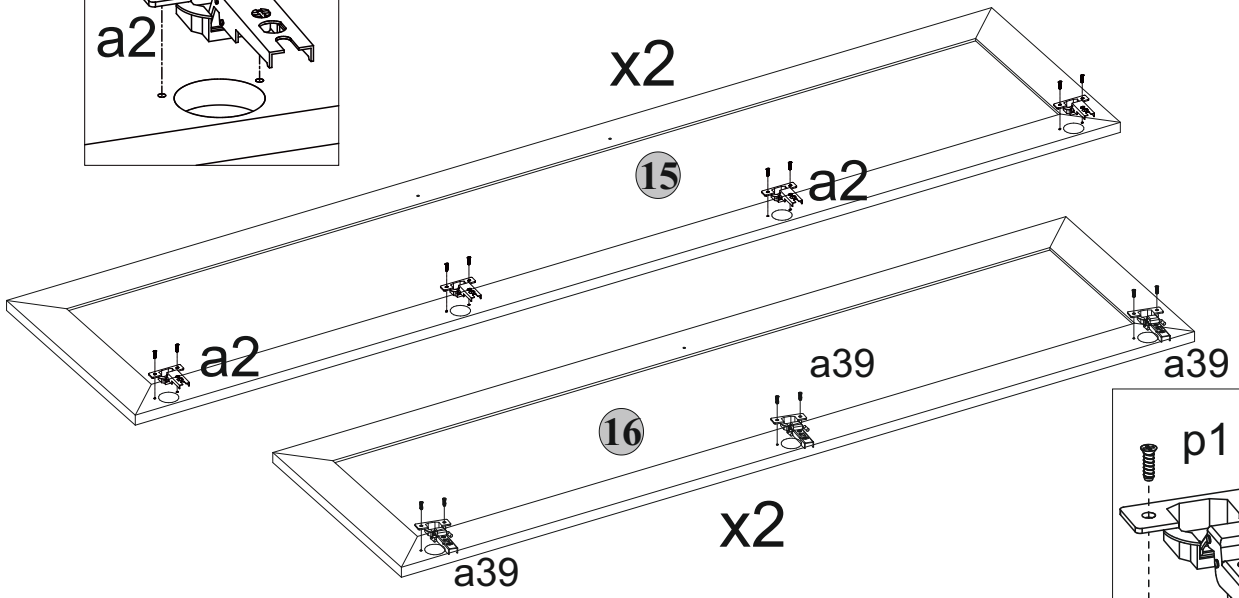
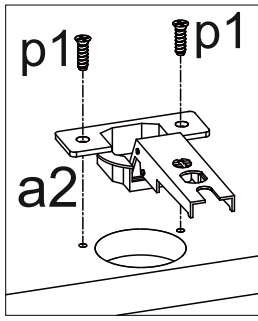
**3**



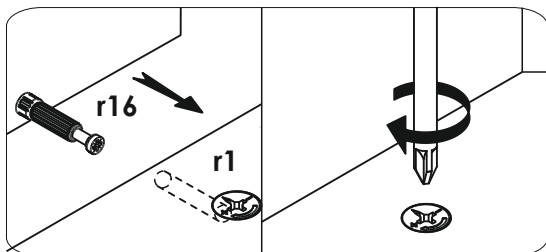
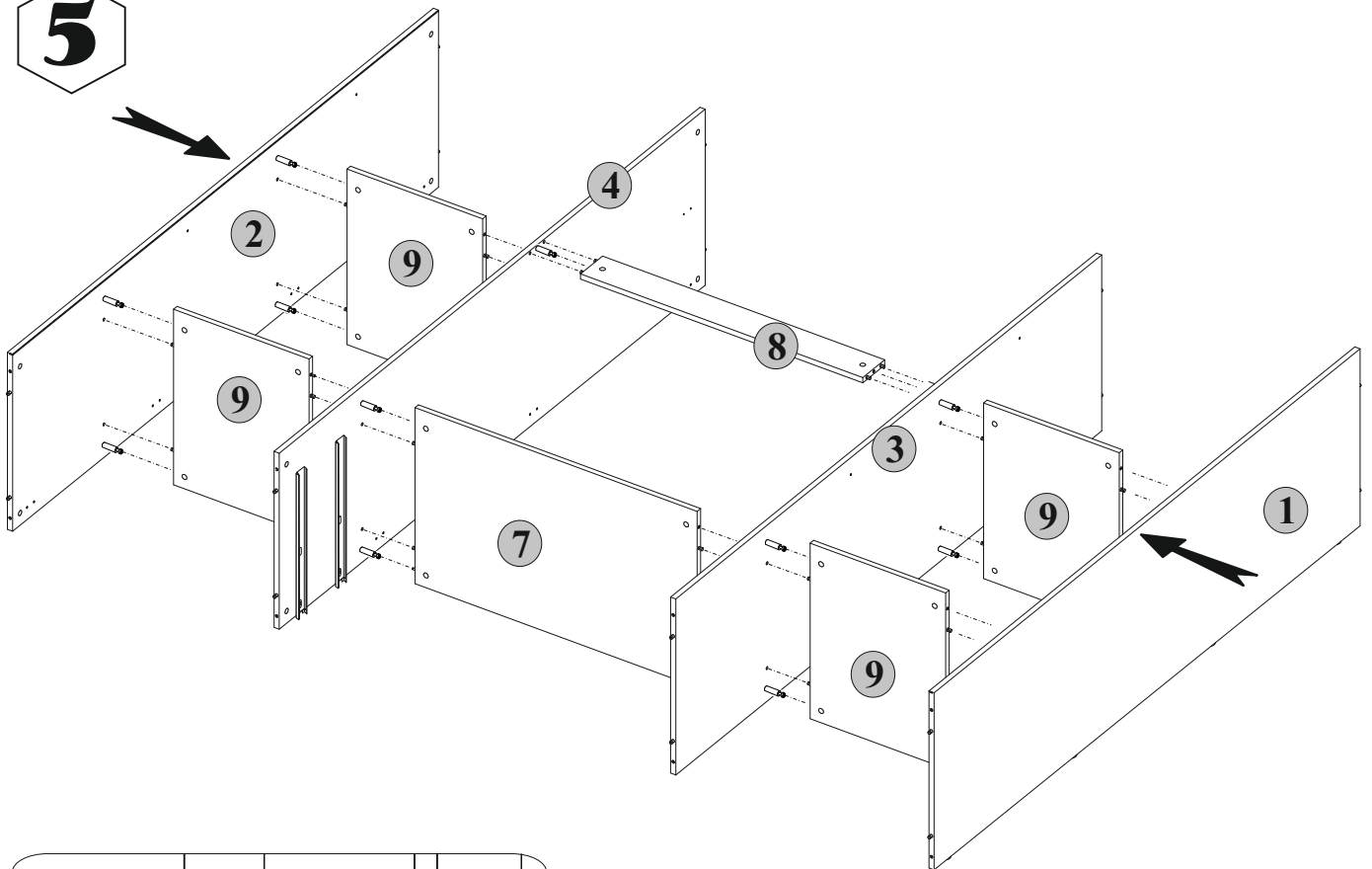
**4**



**4**

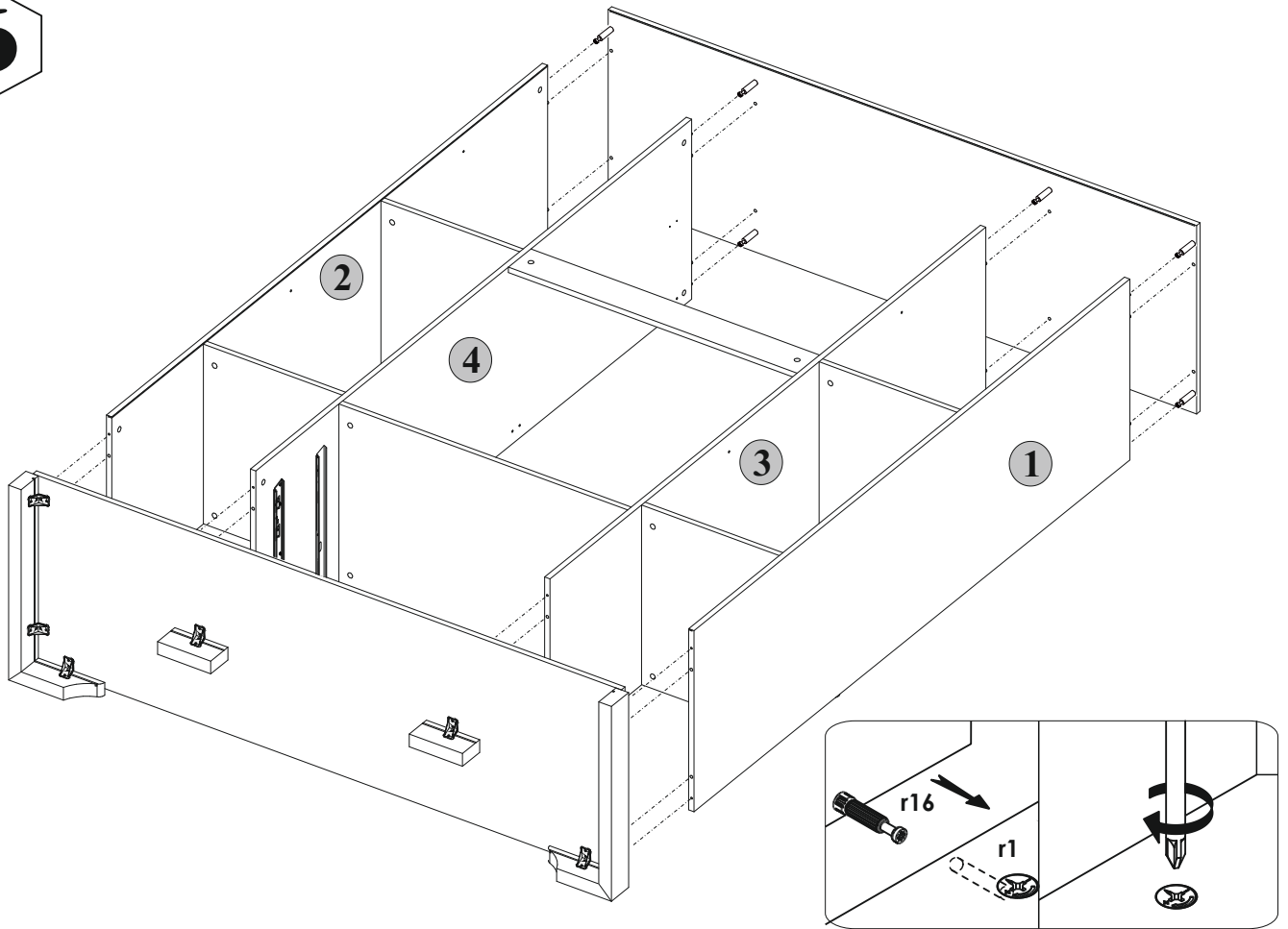


**5**

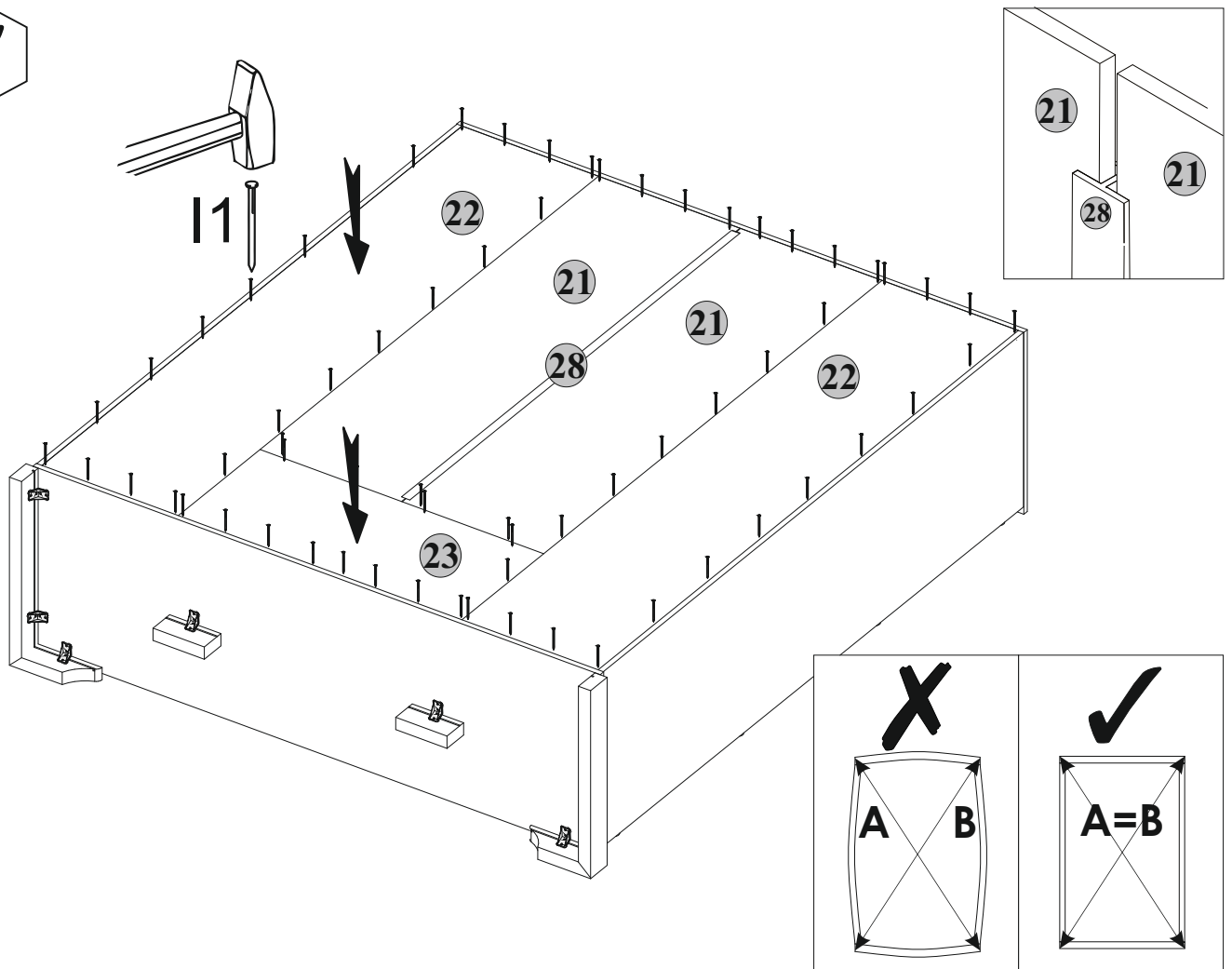


**5**

6

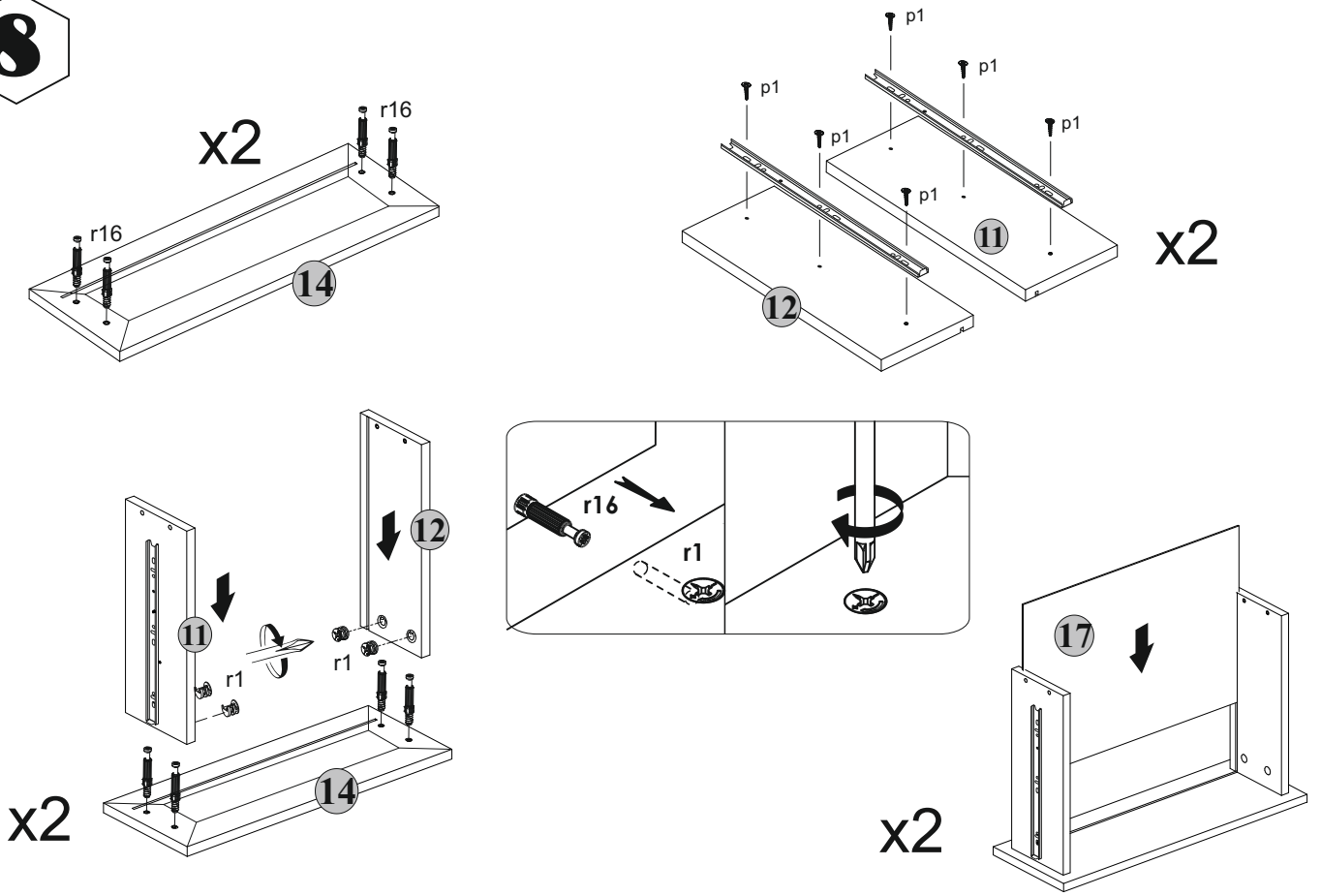


7

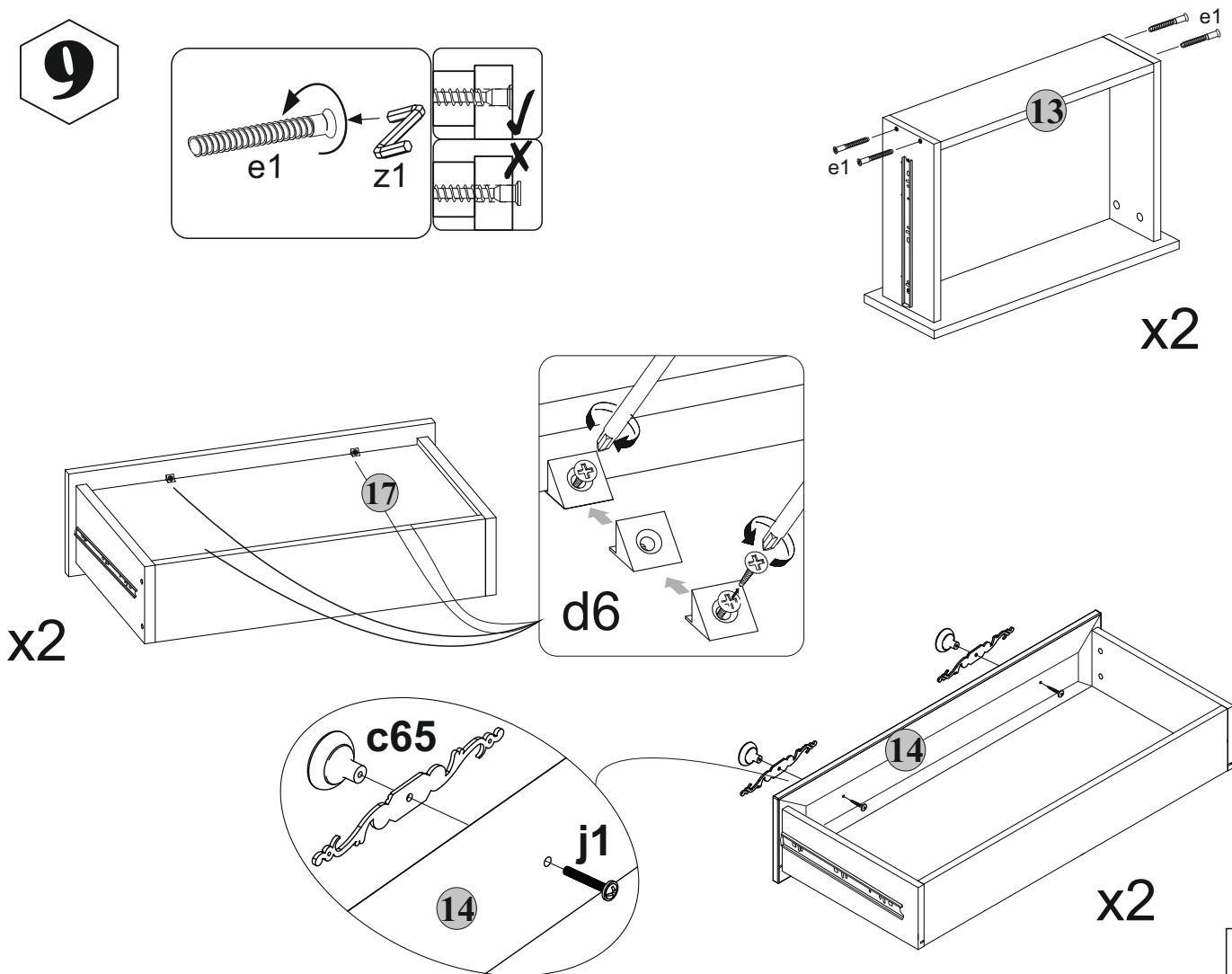


6

8

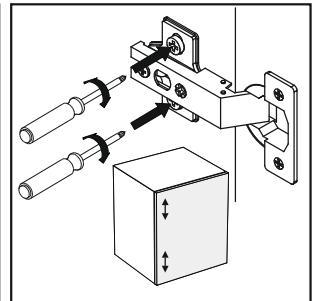
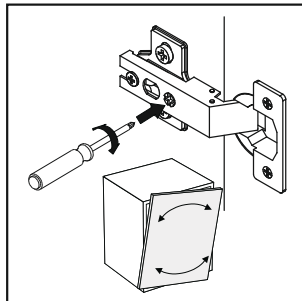
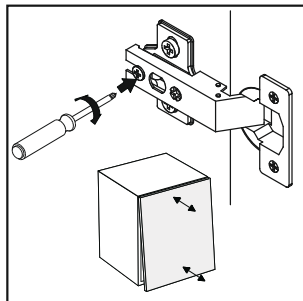
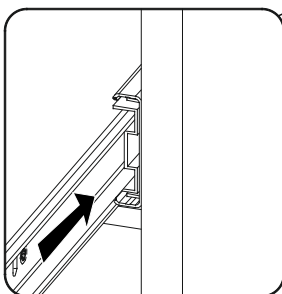
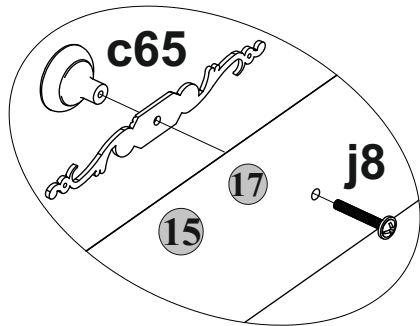
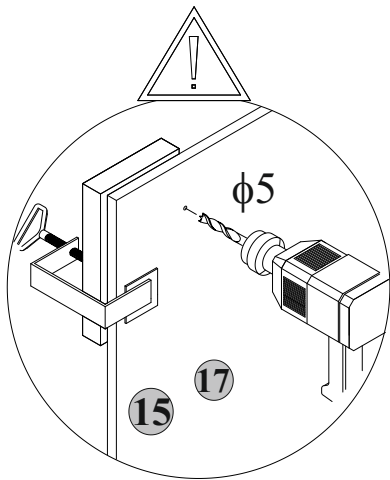
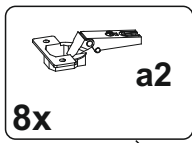
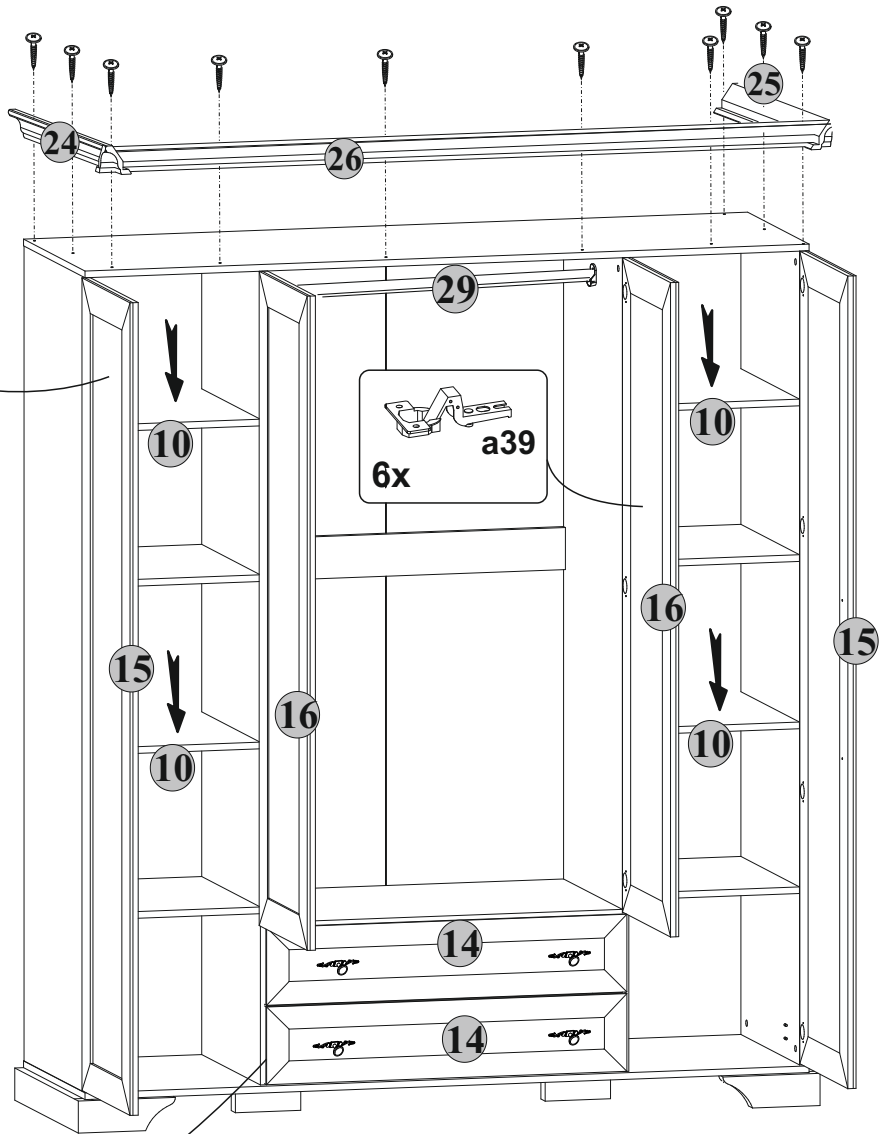
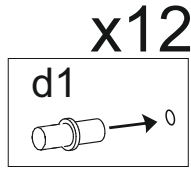
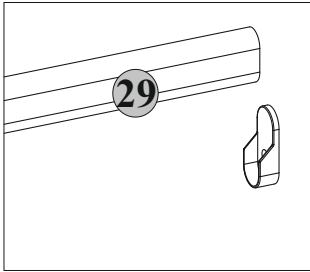
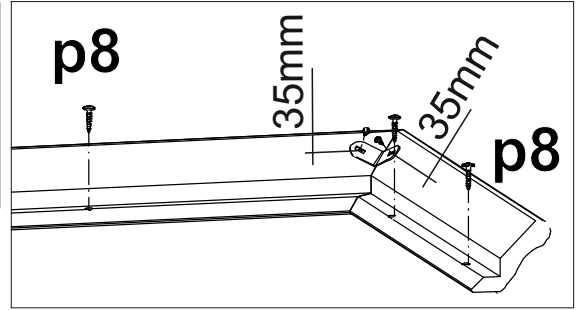
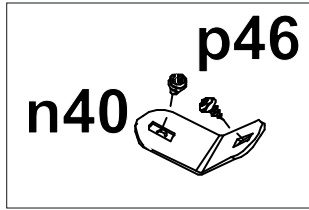


9



7

**10**



**8**