





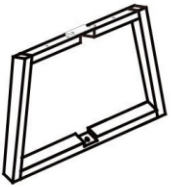
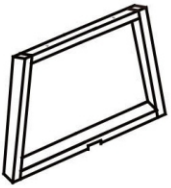

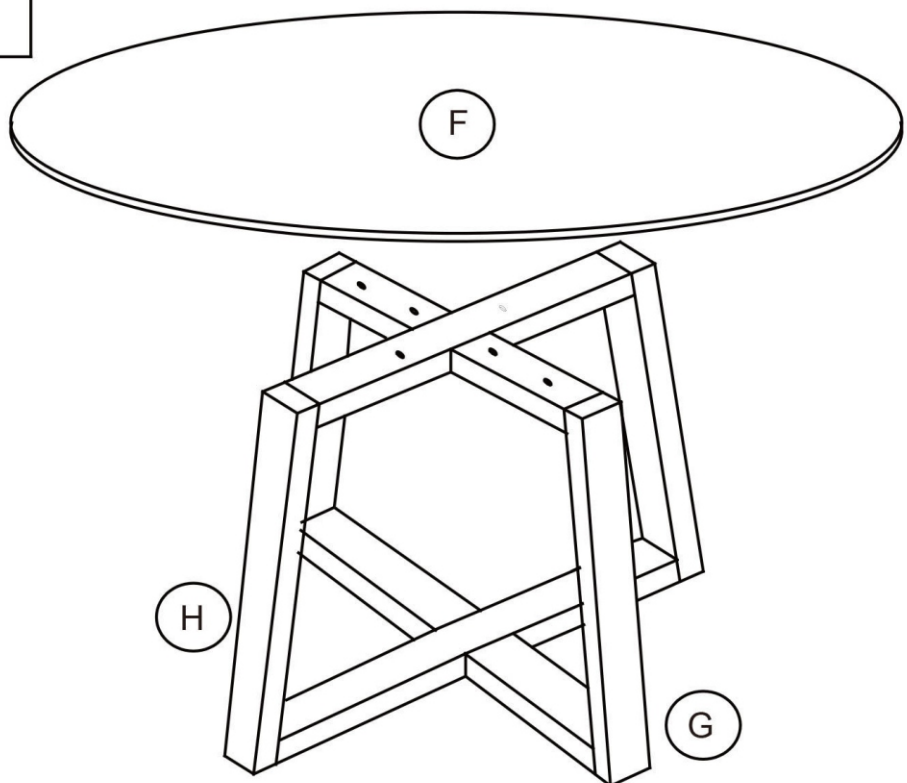
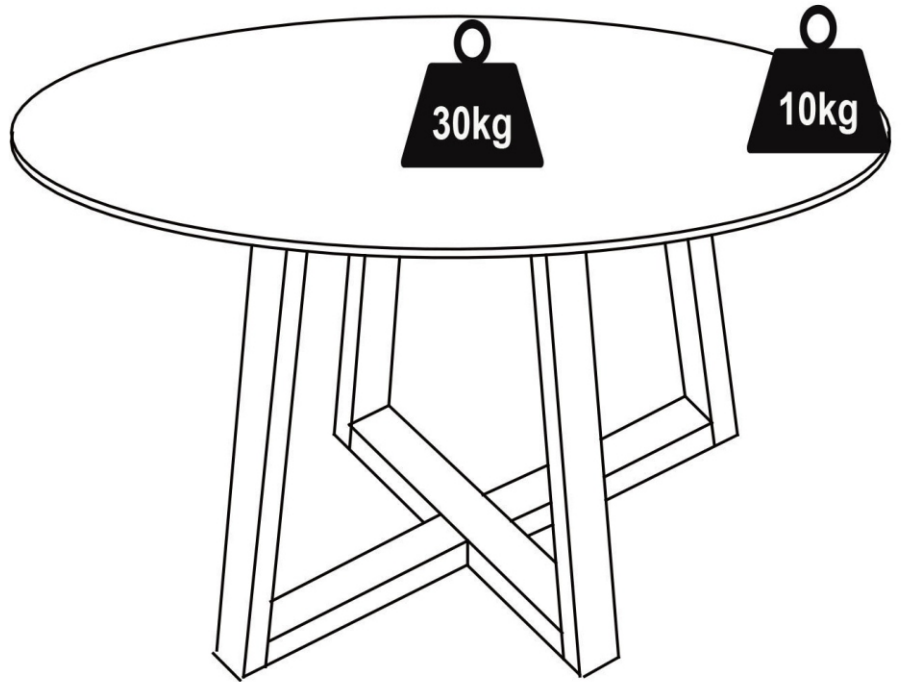
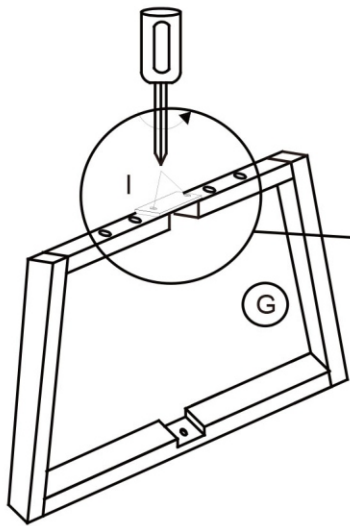


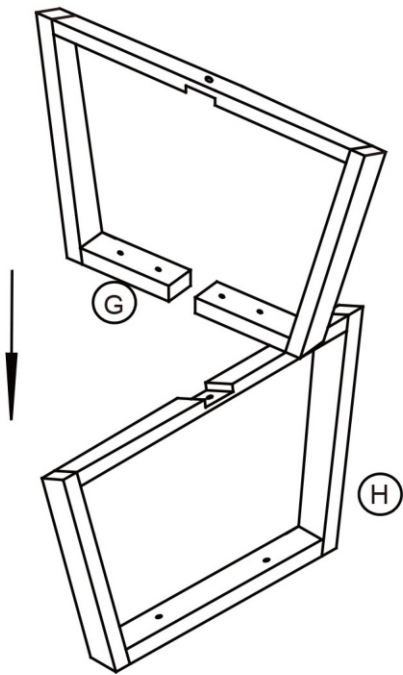
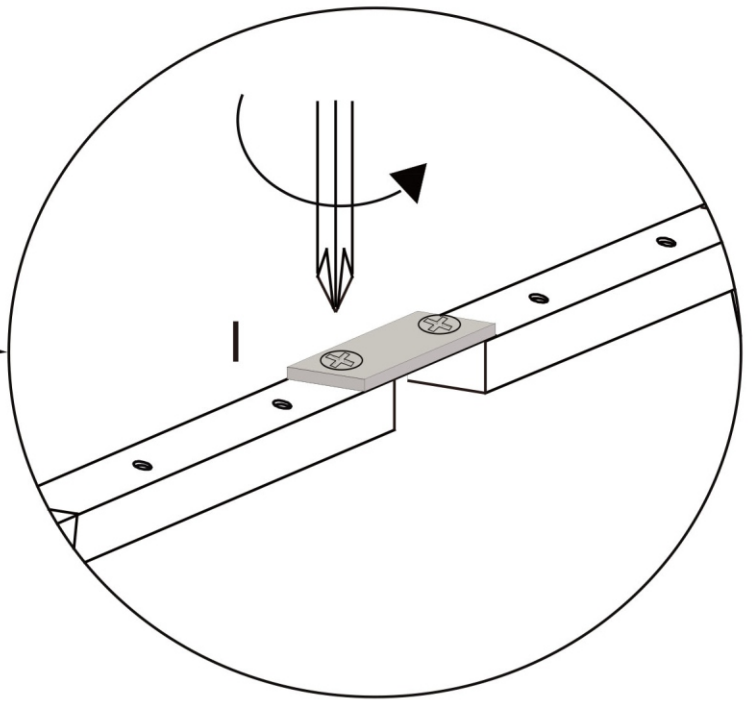
# INFERO

A	 M4mm	1
B	 M6*20mm	6
C	 3*15mm	3
D	 M6*φ16*7mm	4
E	 φ20mm	6
F		1
G		1
H		1
I	 100*30mm	1

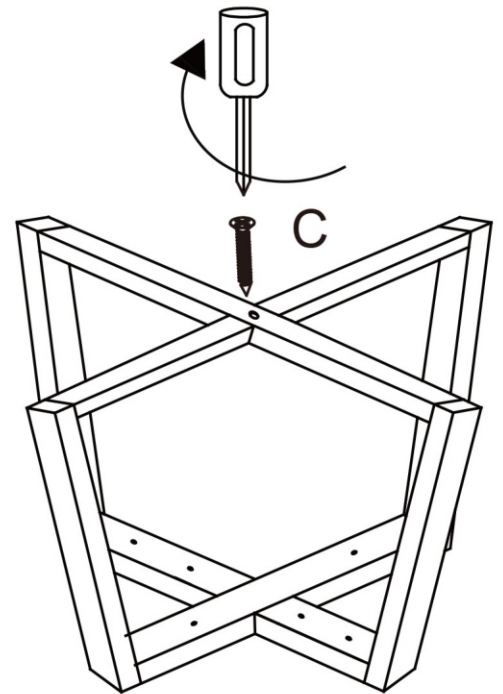




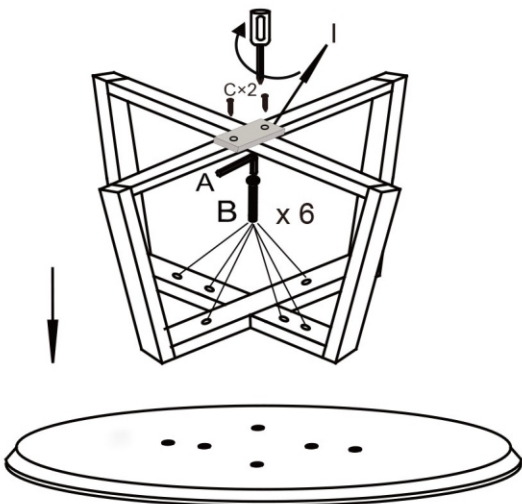
1



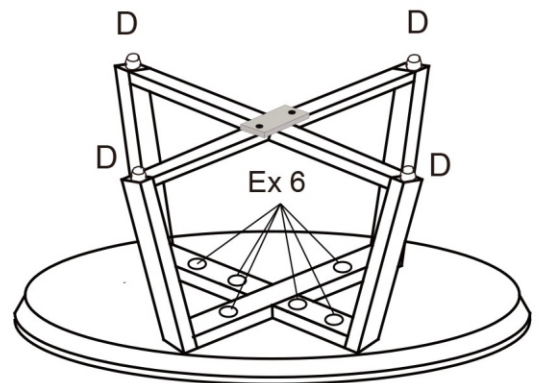
2



3



4



5