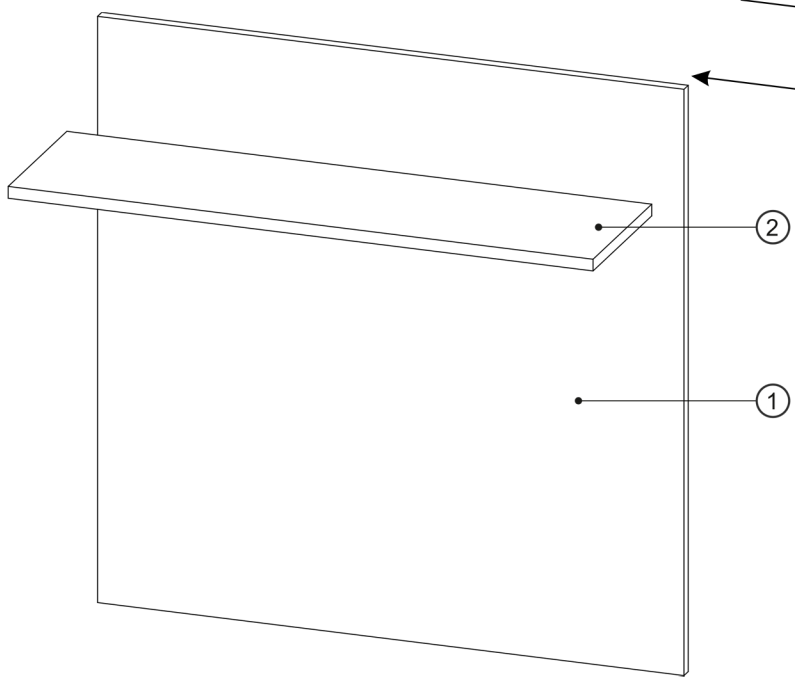
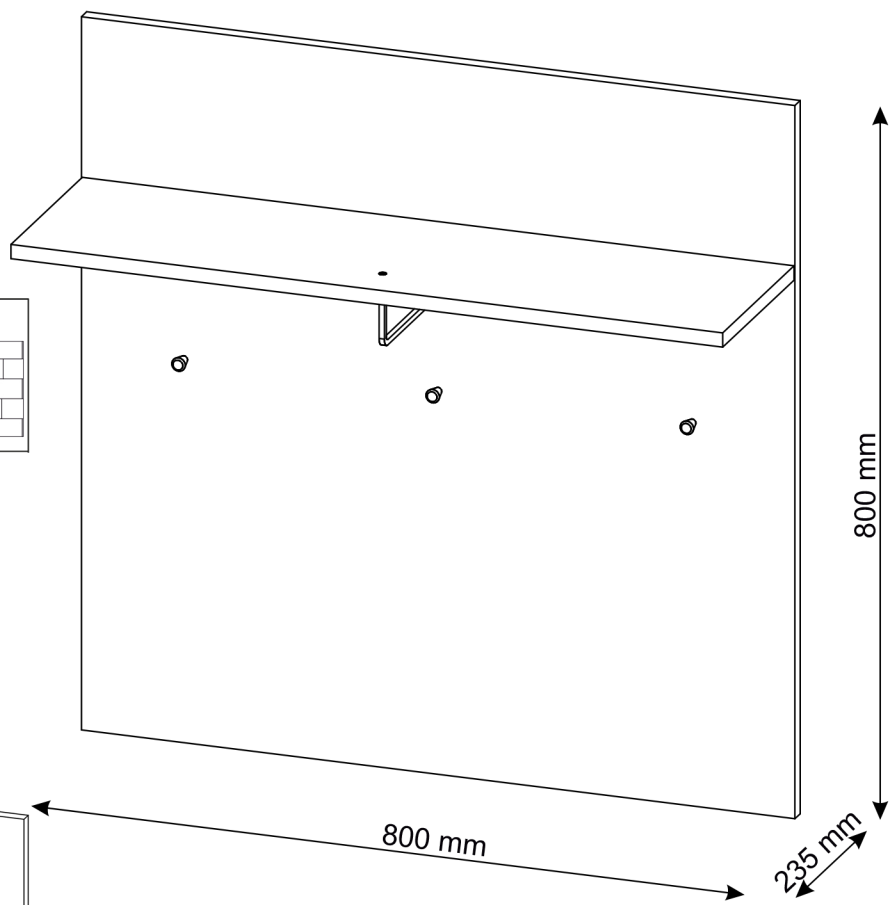
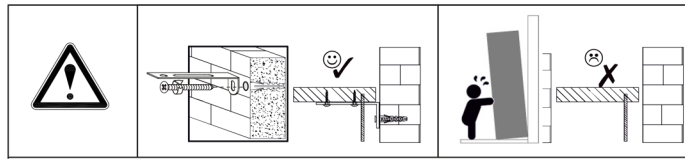
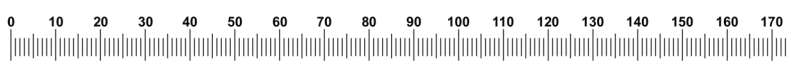
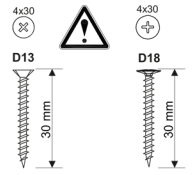
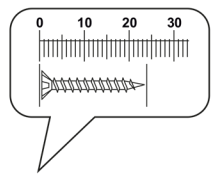
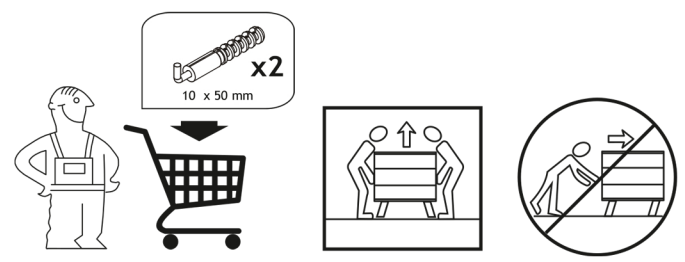


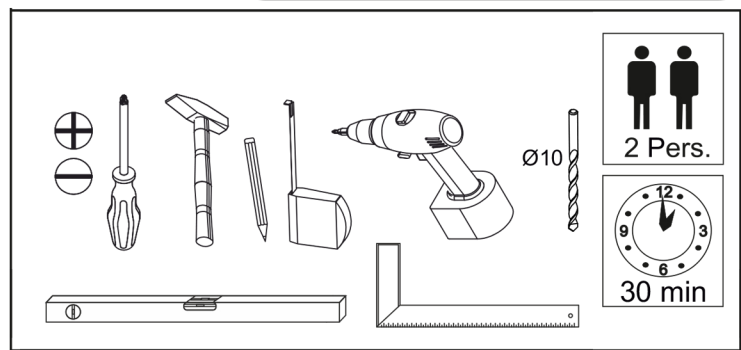
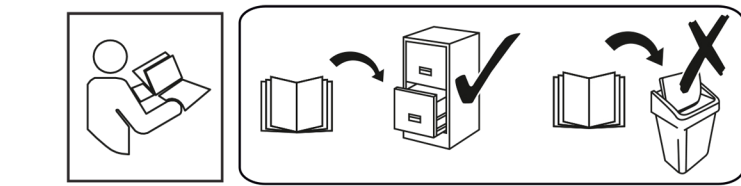
# TYP\_B



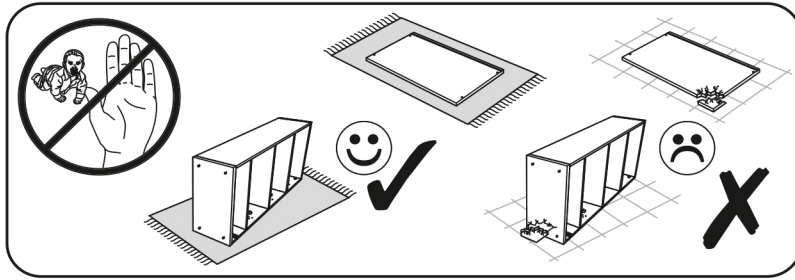
①	800	800	16 x1	1/1
②	798	220	16 x1	1/1
				1/1

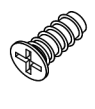




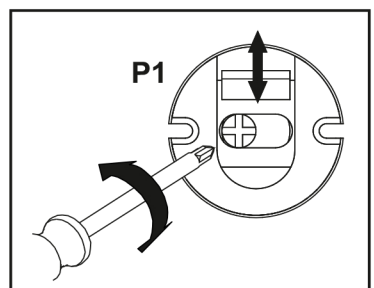
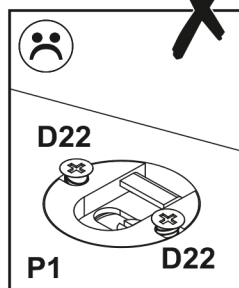
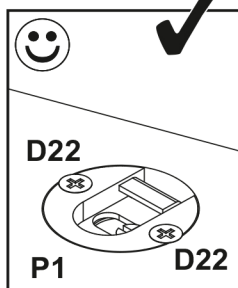
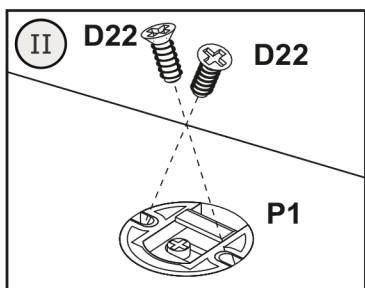
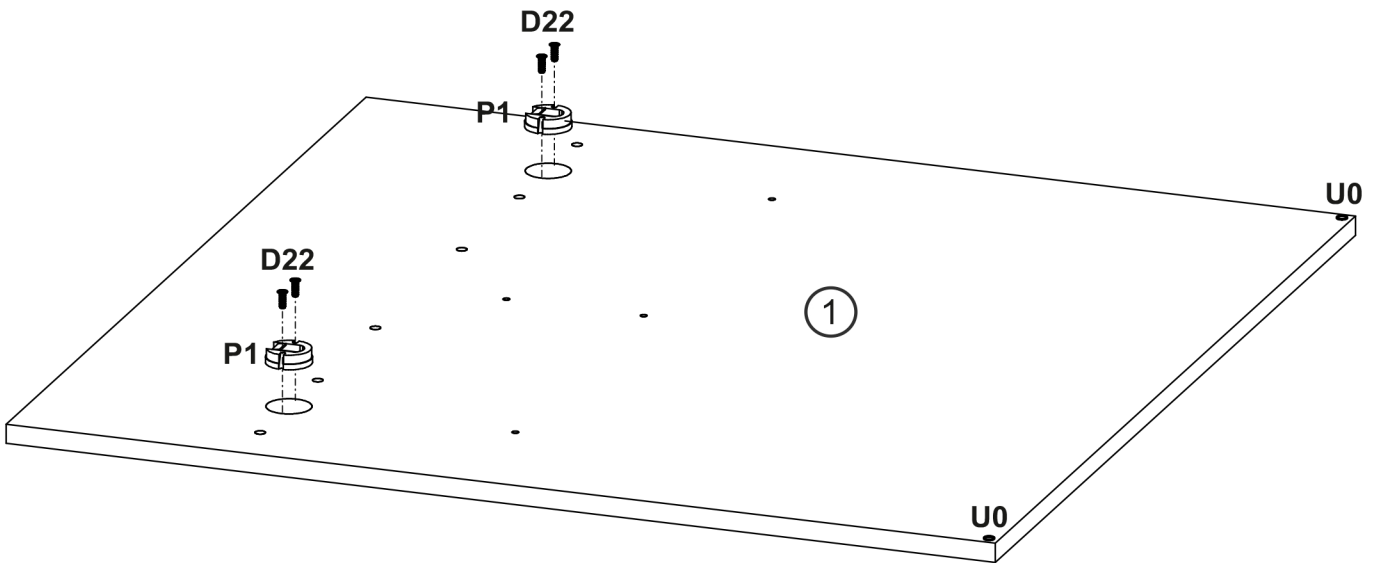
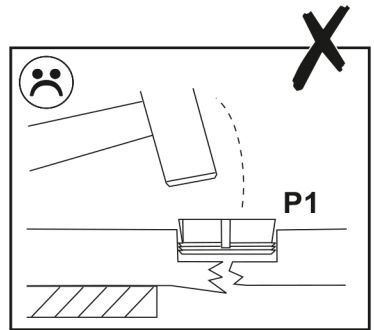
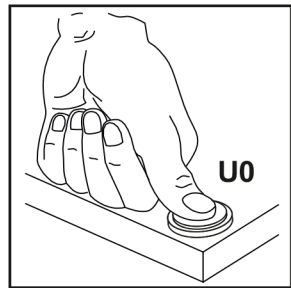
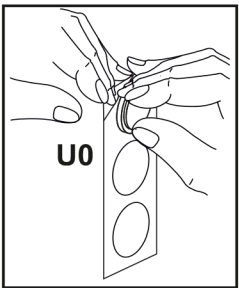
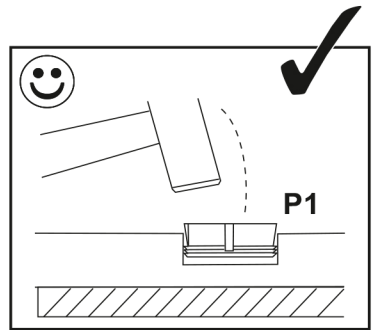
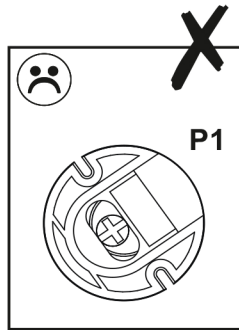
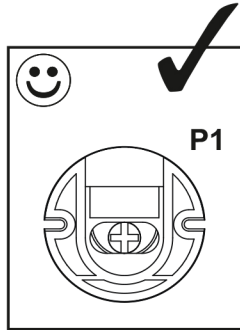
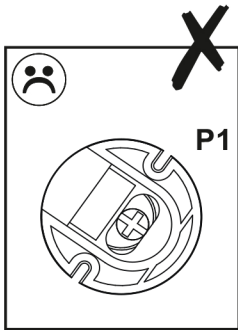
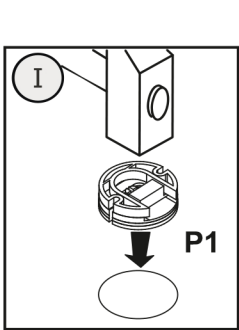
<b>B1</b> Ø7x50 <b>x6</b>	<b>D13</b> 4x30 <b>x4</b>	<b>D18</b> 4x30 <b>x1</b>	<b>D22</b> 5x11 <b>x4</b>	<b>K</b> 4mm <b>x1</b>	<b>L9</b> <b>x3</b>	<b>P1</b> <b>x2</b>	<b>P23</b> 170x70 <b>x1</b>	<b>U0</b> <b>x2</b>
---------------------------------	---------------------------------	---------------------------------	---------------------------------	------------------------------	------------------------	------------------------	-----------------------------------	------------------------



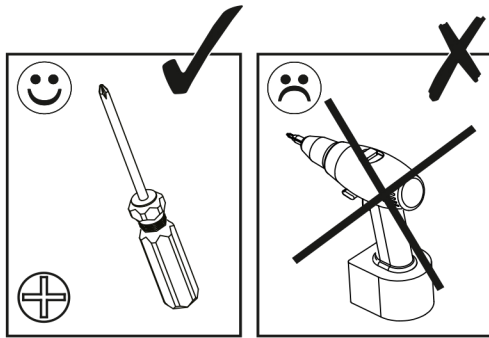
# 1



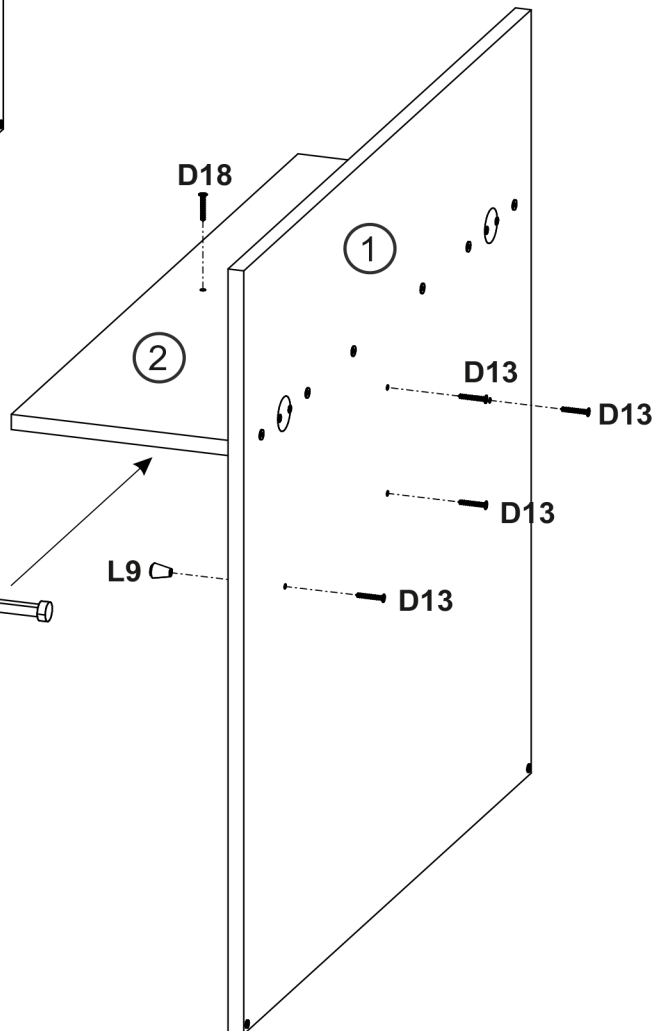
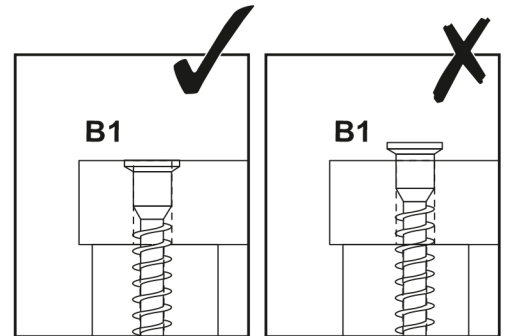
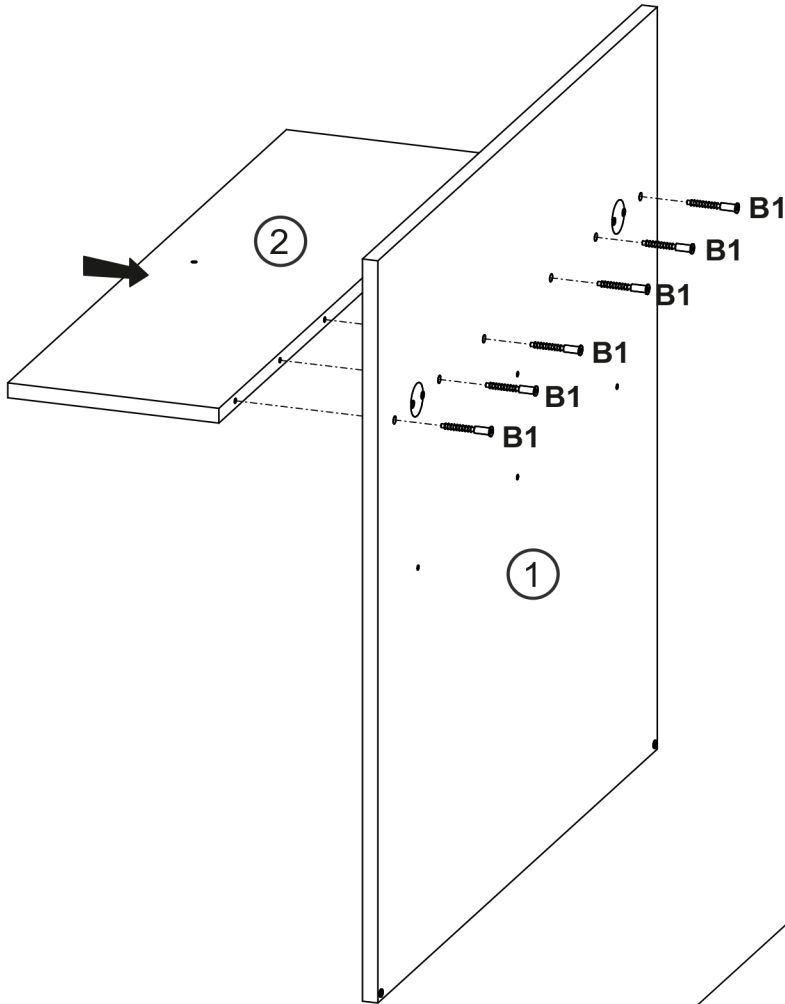
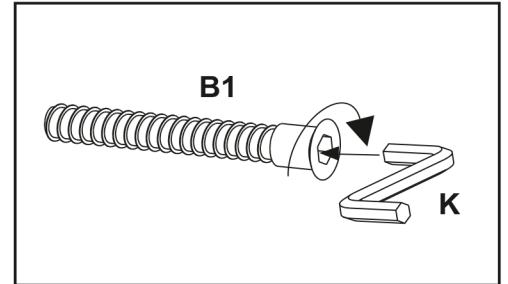
D22	P1	U0
		
5x11		
x4	x2	x2



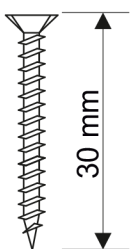
# 2



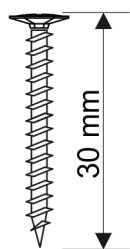
<b>B1</b>  Ø7x50 <b>x6</b>	<b>D13</b>  4x30 <b>x4</b>	<b>D18</b>  4x30 <b>x1</b>	<b>K</b>  4mm <b>x1</b>	<b>L9</b>  <b>x3</b>	<b>P23</b>  170x70 <b>x1</b>
-------------------------------------	-------------------------------------	-------------------------------------	----------------------------------	----------------------------	---------------------------------------



**D13**



**D18**



# 3



Ø10 mm

575 mm

Ø10 mm

