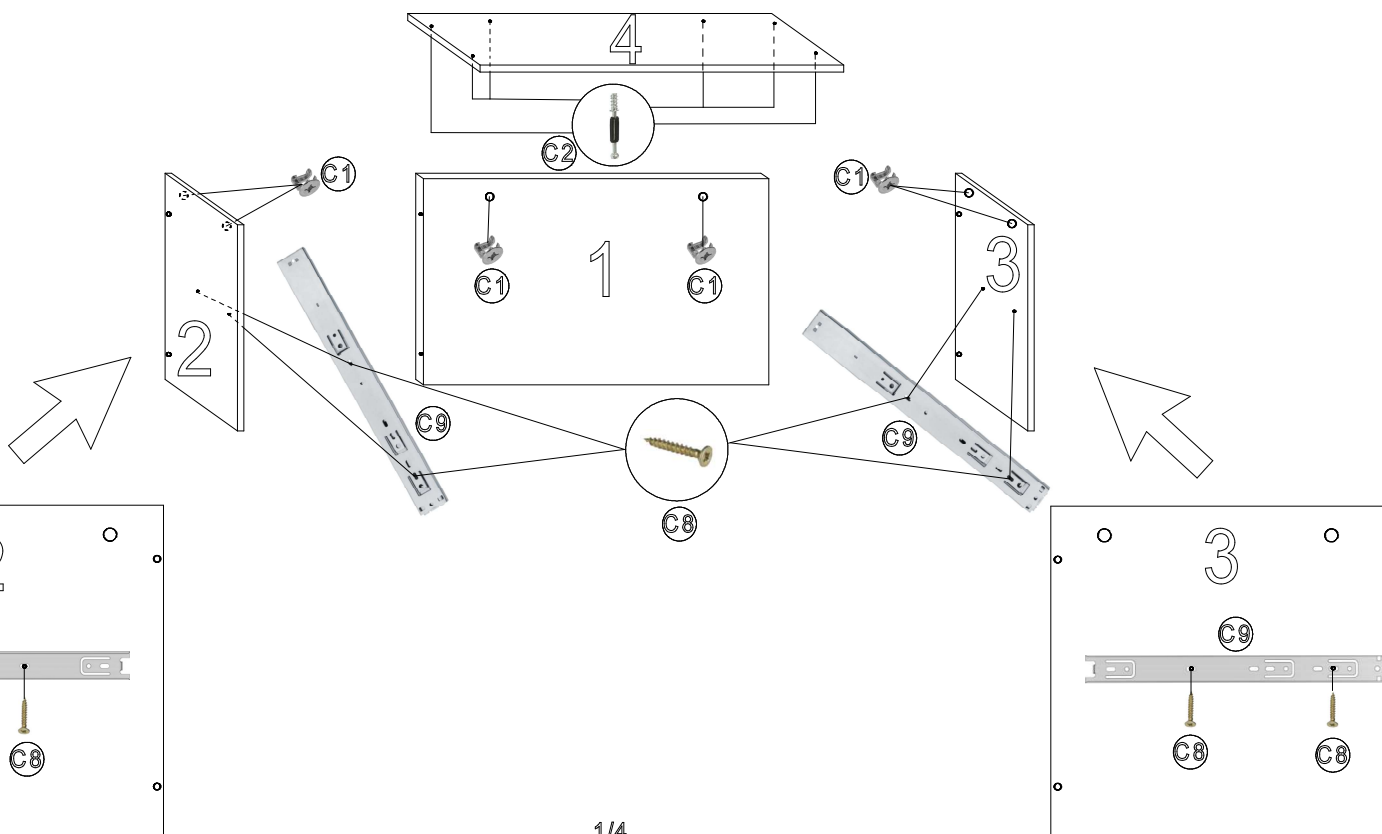
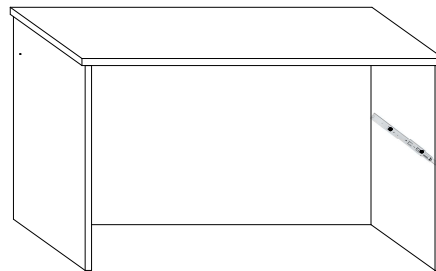


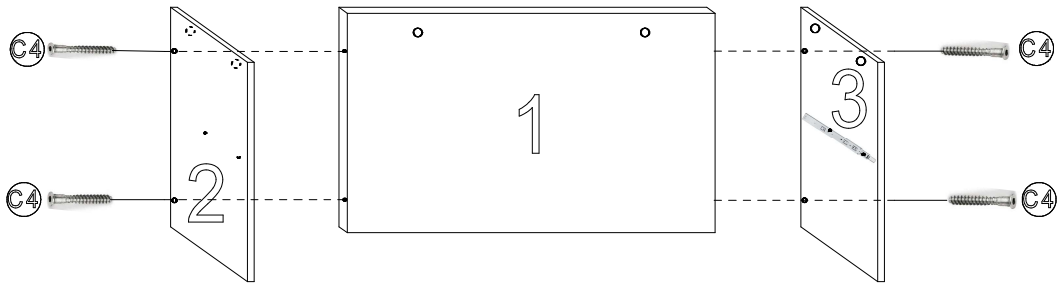
C1		x12	C2		x12	C3		x12
C4		x16	C5		x16	C6		x2
C7		x2	C8		x12	C9		x2

PART A

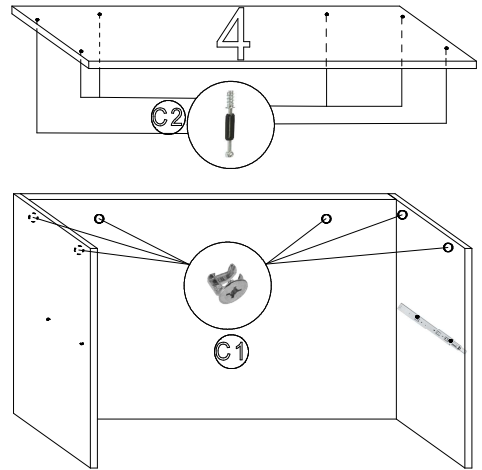
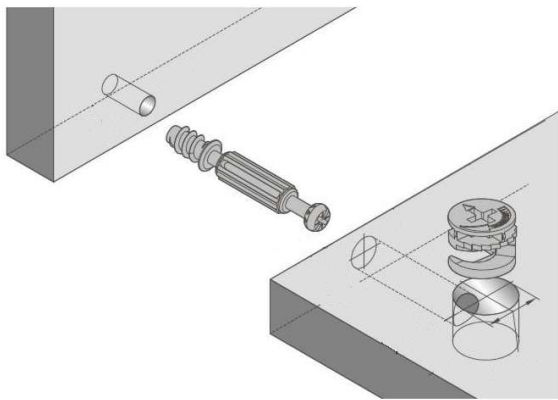
1	670x400mm
2	400x400mm
3	400x400mm
4	706x400mm



STEP A1

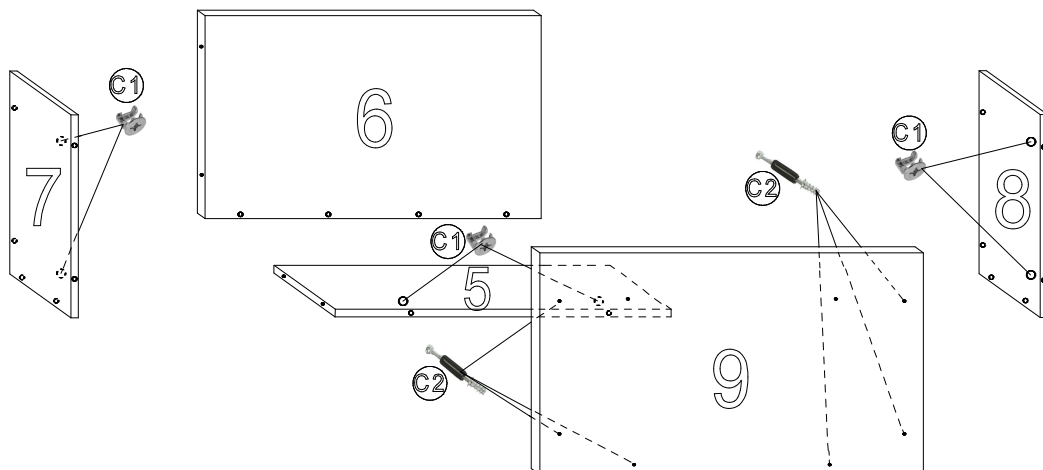
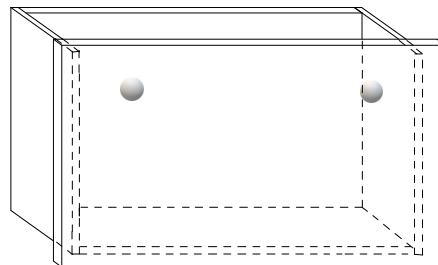


STEP A2

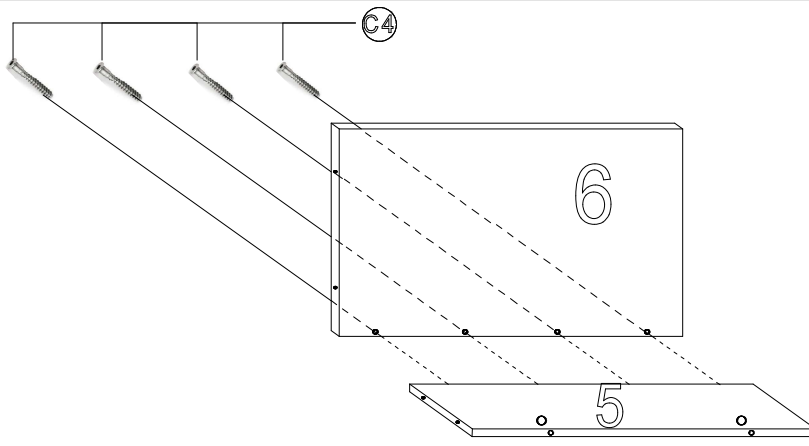


PART B

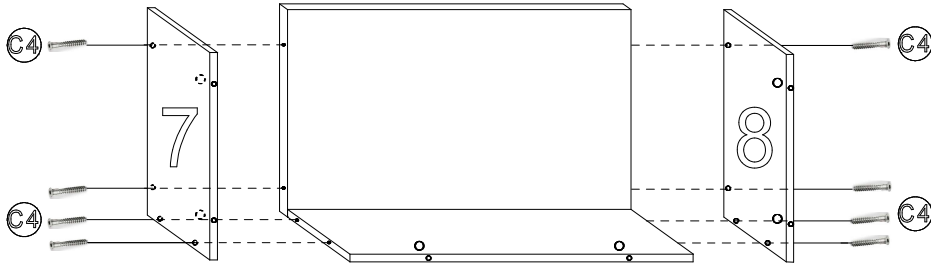
5	612,6x358mm
6	612,6x370mm
7	374x370mm
8	374x370mm
9	699x404mm



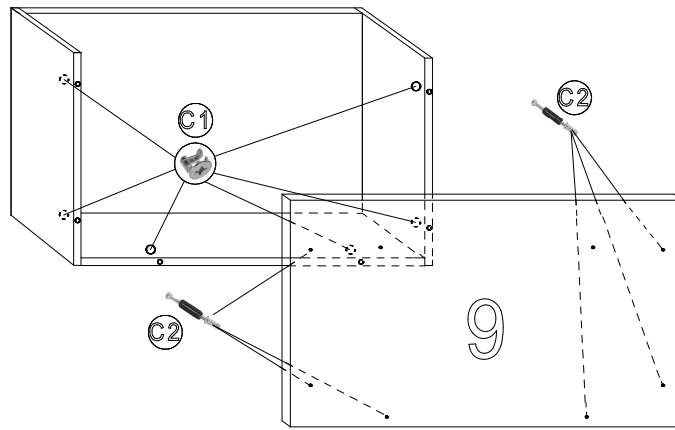
STEP B1



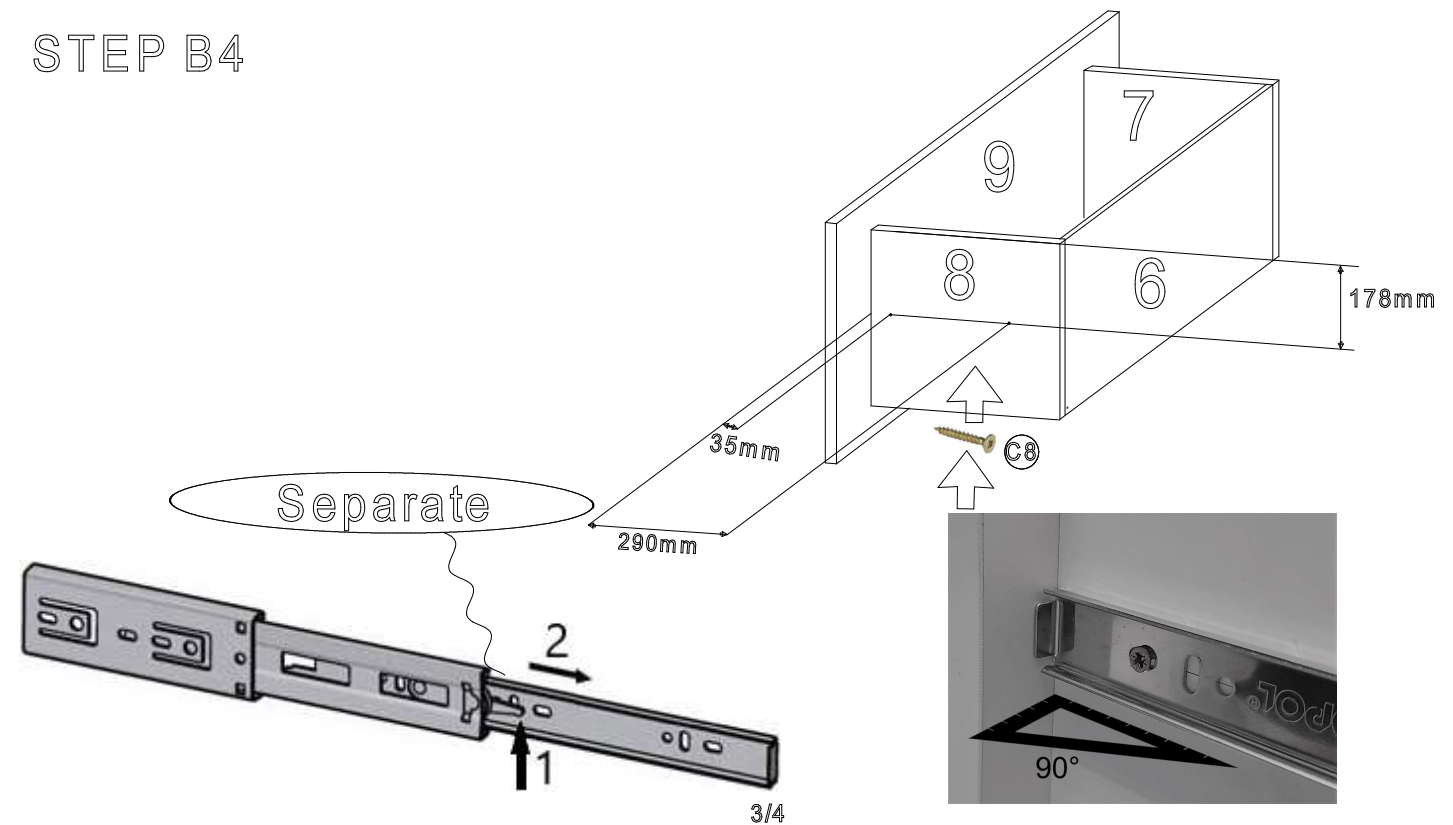
STEP B2



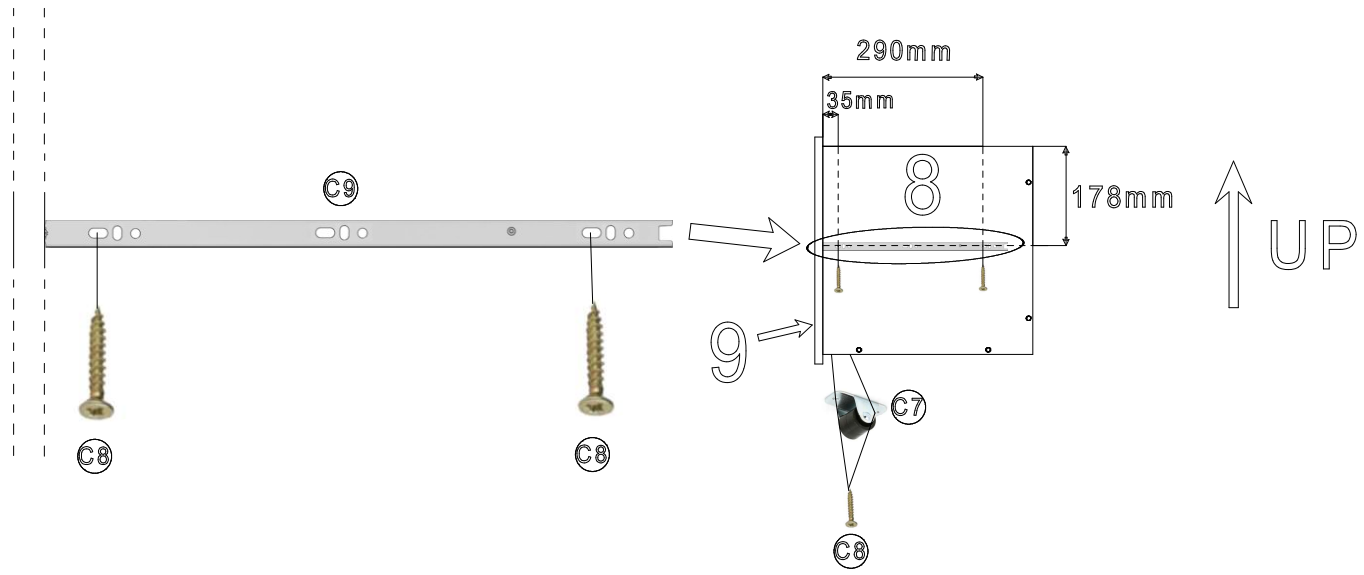
STEP B3



STEP B4



STEP B4/B5



STEP B5

