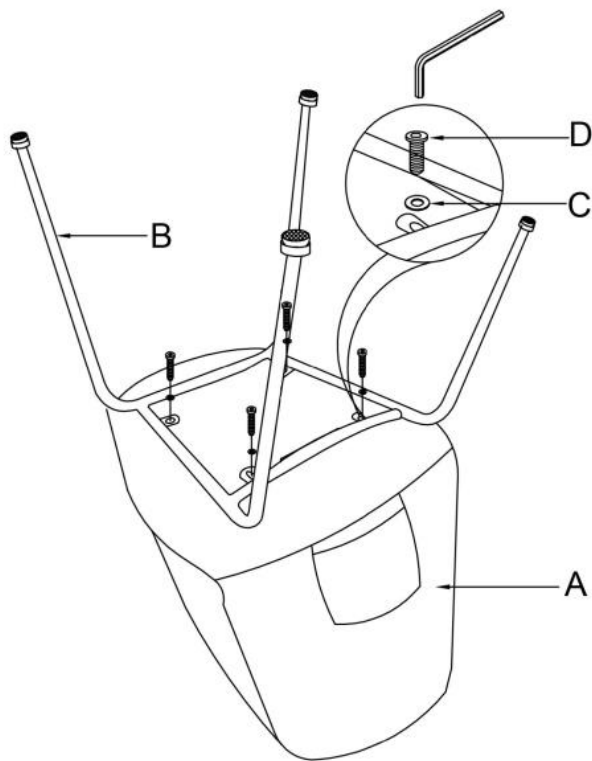
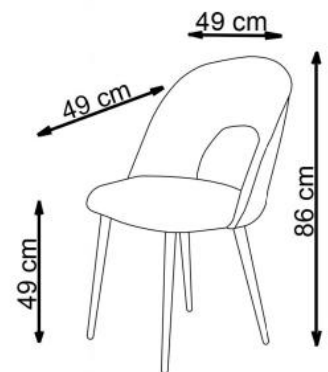


# K385



A		1
B		1
C	 Ø16-14MM	4
D	 M16x20 mm	4



max. 100 kg

v.1