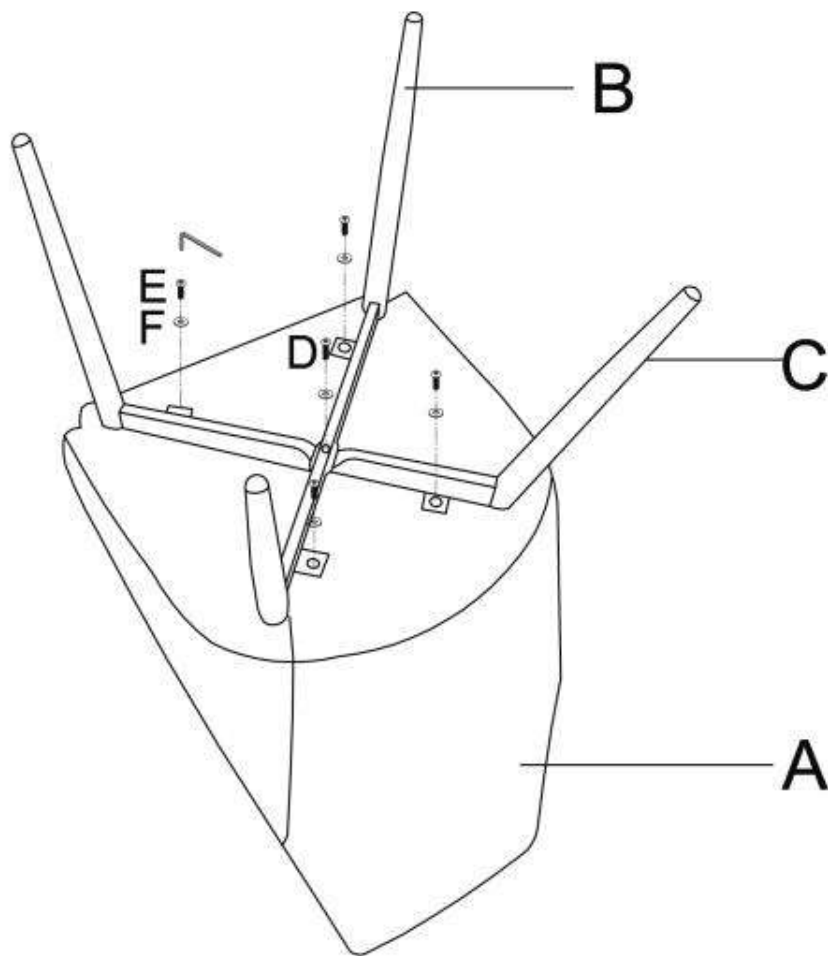
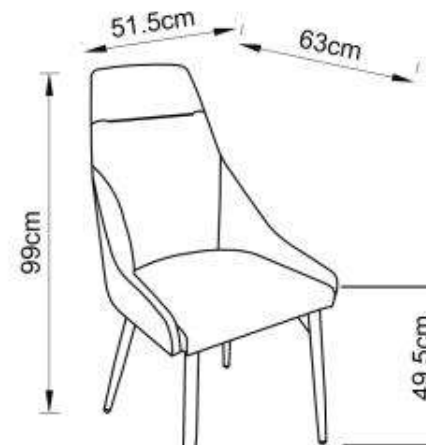


K-465

1



| | | |
|---|-----------------|---|
| A | | 1 |
| B | | 1 |
| C | | 1 |
| D | m6x30mm | 1 |
| E | m6x25mm | 4 |
| F | ø6x18x1.2mm | 5 |



max. 100 kg



v.1