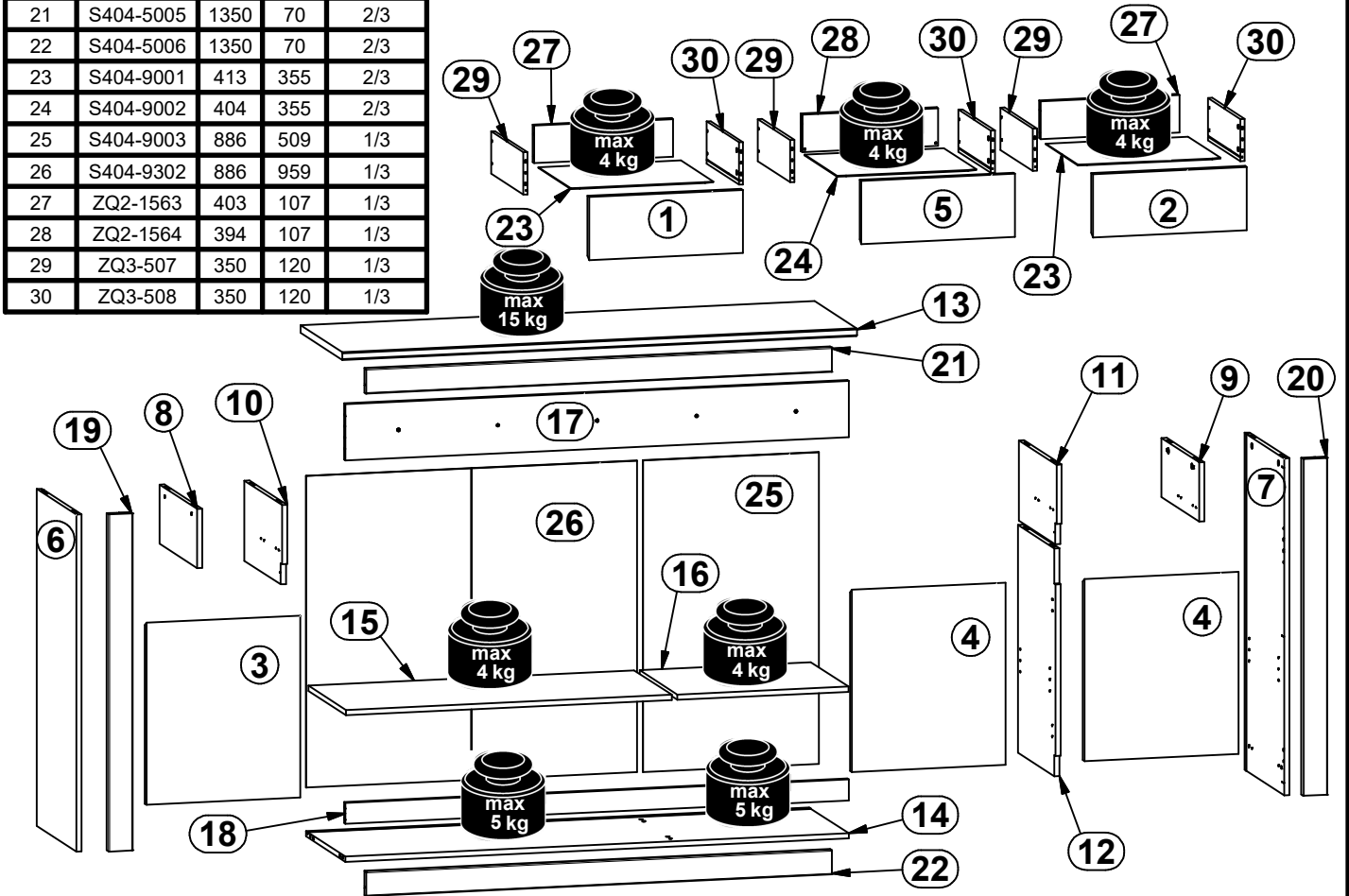
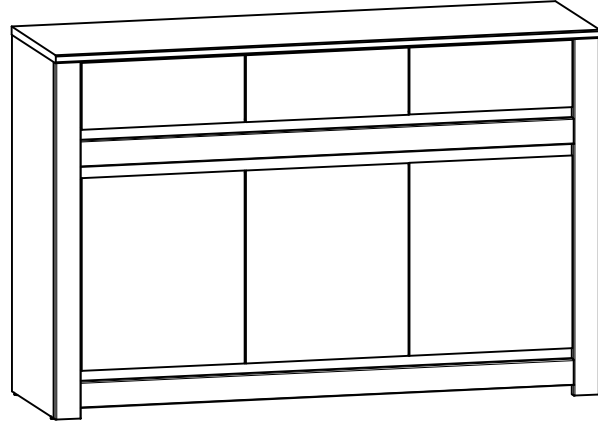
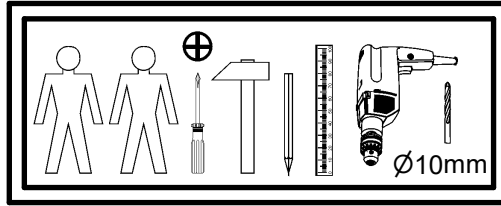
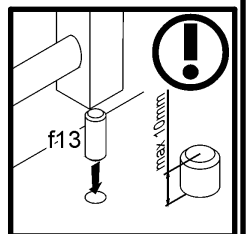
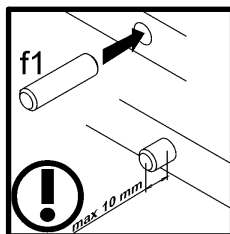
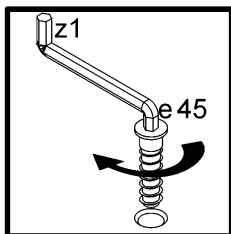
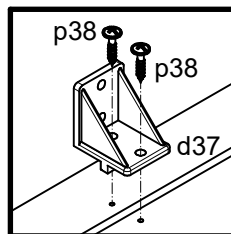
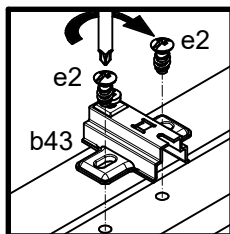
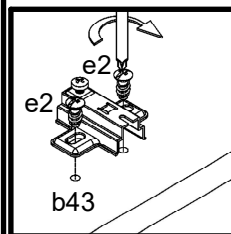
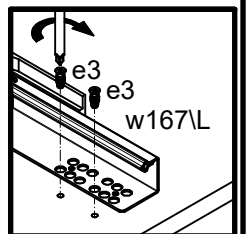
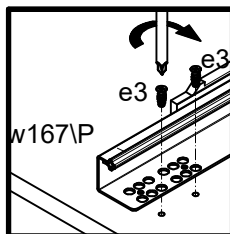
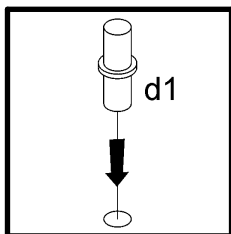
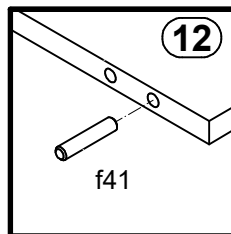
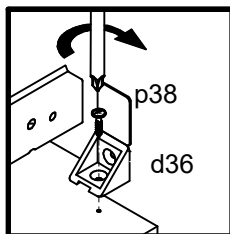
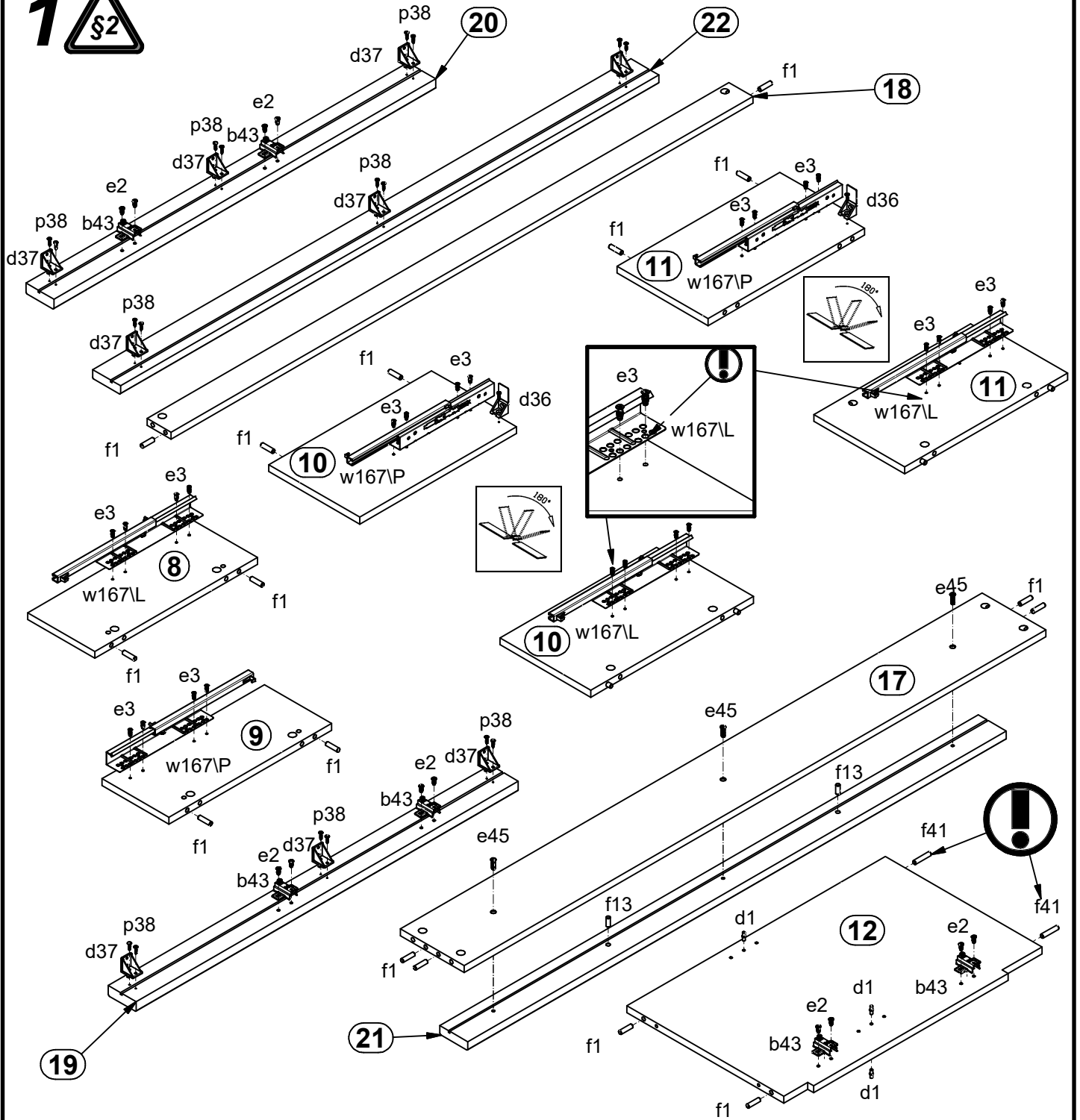


A	B	C	D	
1	S404-0001	446	180	3/3
2	S404-0002	446	180	3/3
3	S404-0003	518	446	3/3
4	S404-0004	518	446	3/3
5	S404-0005	446	180	3/3
6	S404-1001	958	428	1/3
7	S404-1002	958	428	1/3
8	S404-1003	168	408	1/3
9	S404-1004	168	408	1/3
10	S404-1005	228	408	1/3
11	S404-1006	228	408	1/3
12	S404-1007	648	408	1/3
13	S404-2002	1491	454	2/3
14	S404-3003	1459	428	2/3
15	S404-3004	945	407	2/3
16	S404-3005	496	407	2/3
17	S404-4003	1459	160	2/3
18	S404-4004	1459	60	2/3
19	S404-5001	958	70	1/3
20	S404-5002	958	70	1/3
21	S404-5005	1350	70	2/3
22	S404-5006	1350	70	2/3
23	S404-9001	413	355	2/3
24	S404-9002	404	355	2/3
25	S404-9003	886	509	1/3
26	S404-9302	886	959	1/3
27	ZQ2-1563	403	107	1/3
28	ZQ2-1564	394	107	1/3
29	ZQ3-507	350	120	1/3
30	ZQ3-508	350	120	1/3

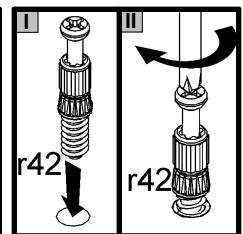
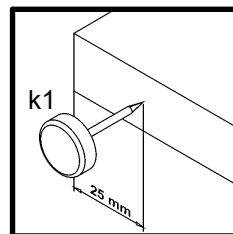
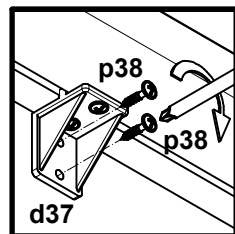
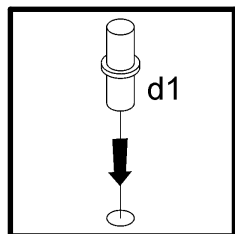
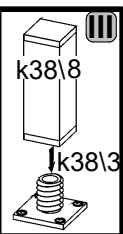
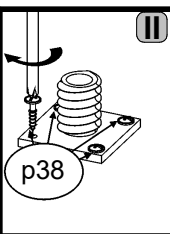
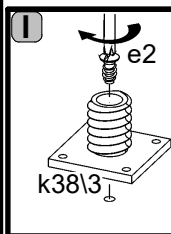
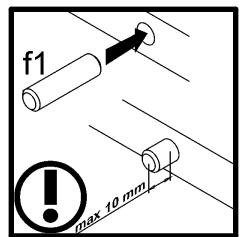
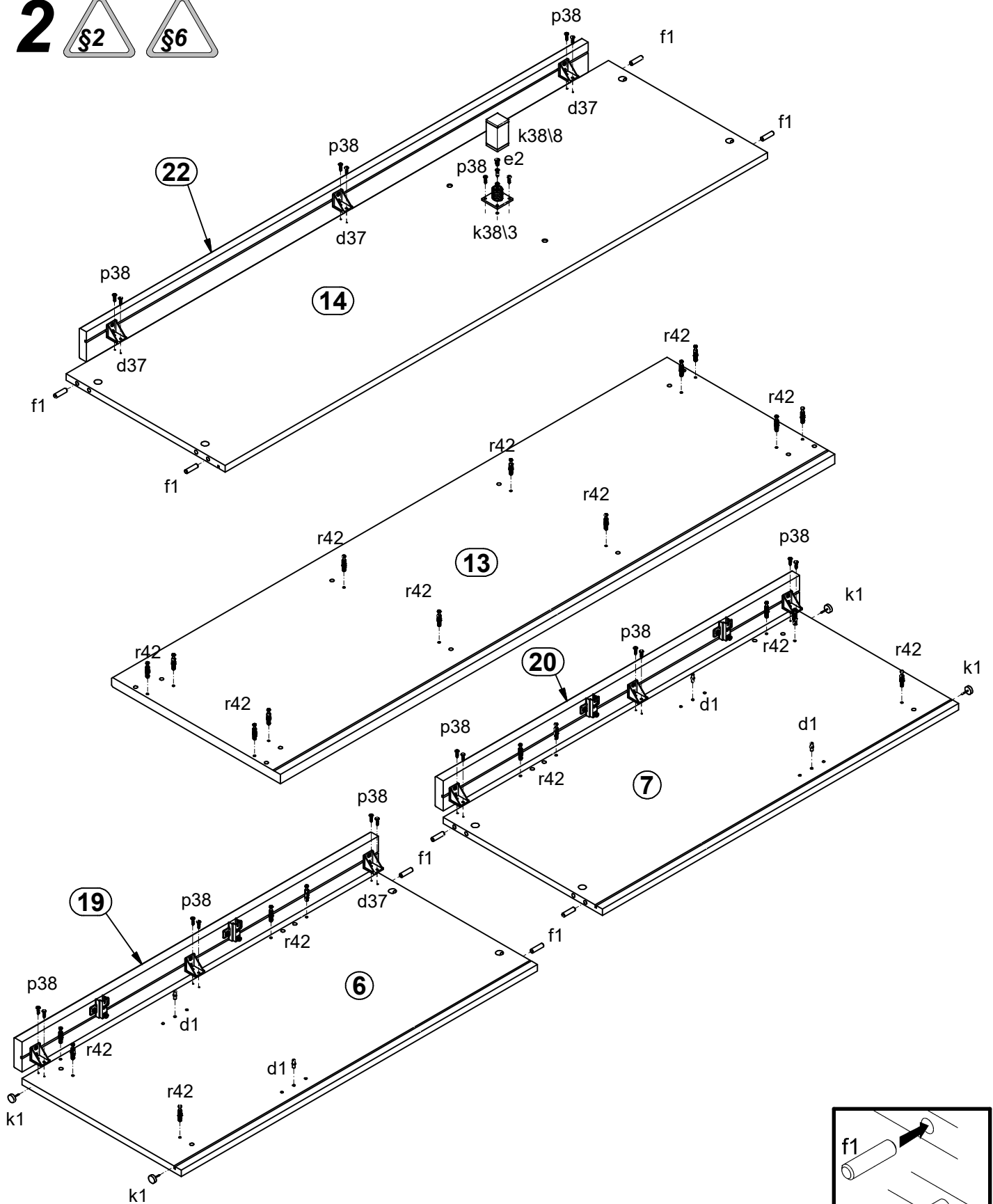


4x a132	3x a133	2x a159	6x b43	8x d1	2x d36	9x d37	2x e1	13x e2
24x e3	3x e45	24x f1	6x f9	2x f13	12x f25	2x f41	4x k1	1x k38/3
1x k38/8	14x l2	4x n108	53x p38	12x p51	10x p55	26x r1	12x r15	34x r42
2x r51	3x w167L	3x w167P	1x z1				1x n26/1	1x p38

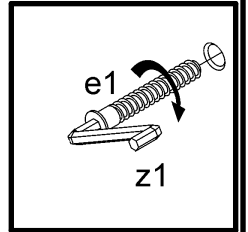
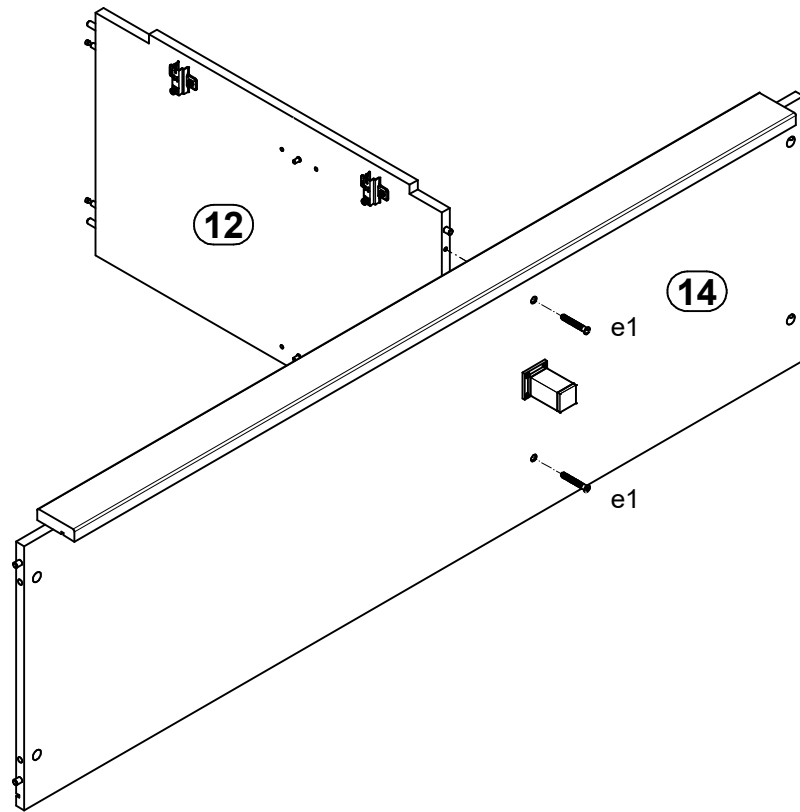
1 



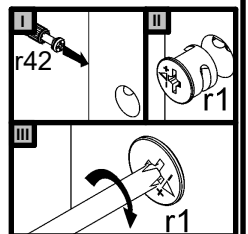
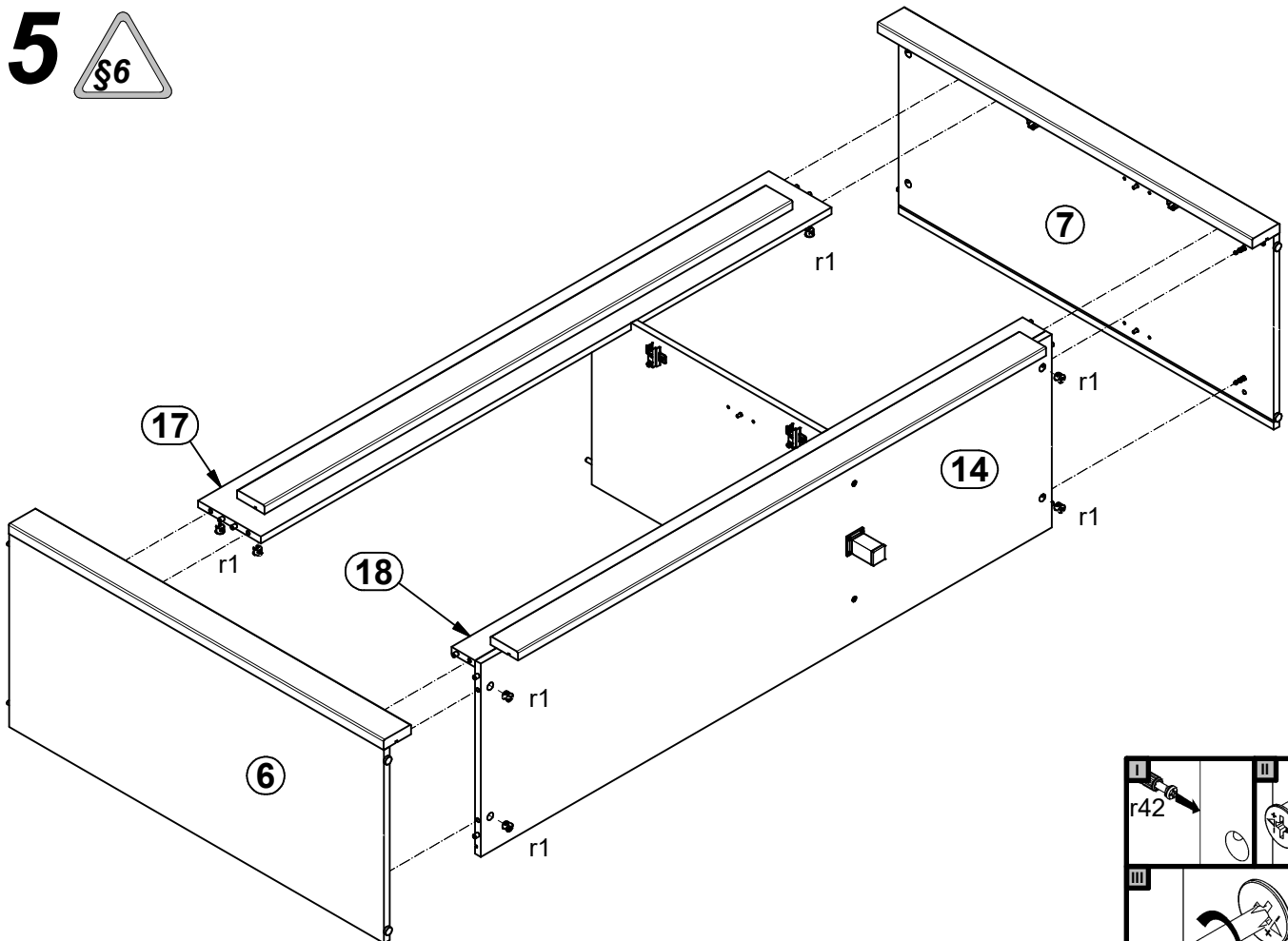
2



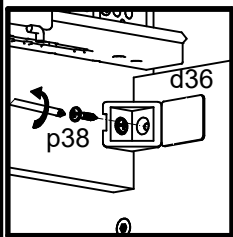
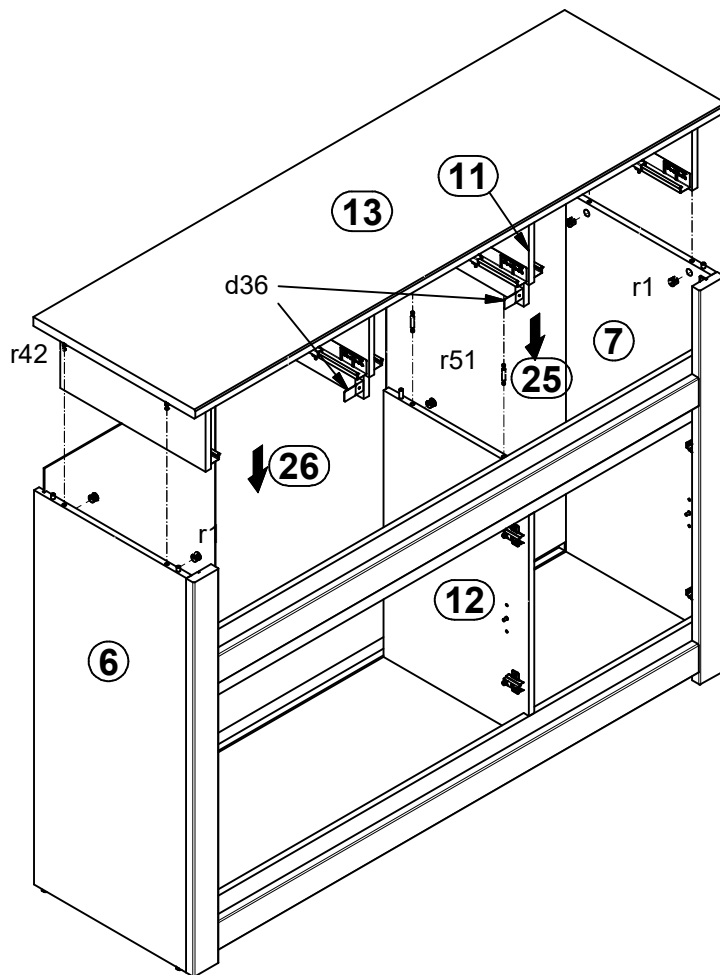
4



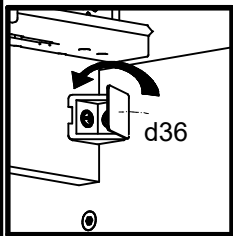
5



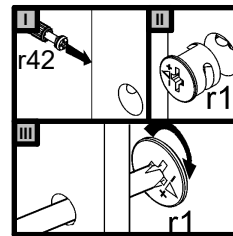
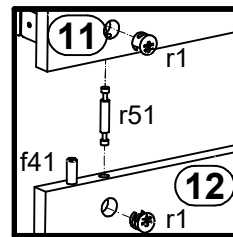
6



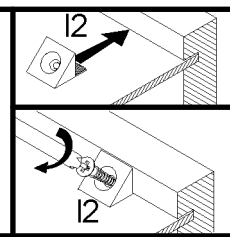
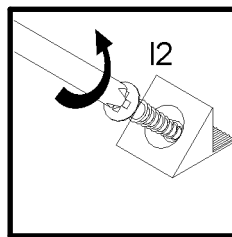
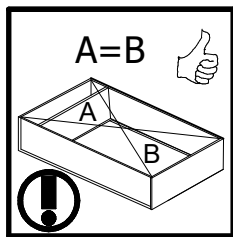
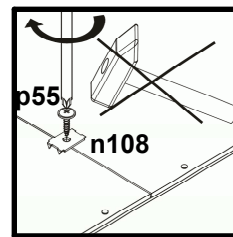
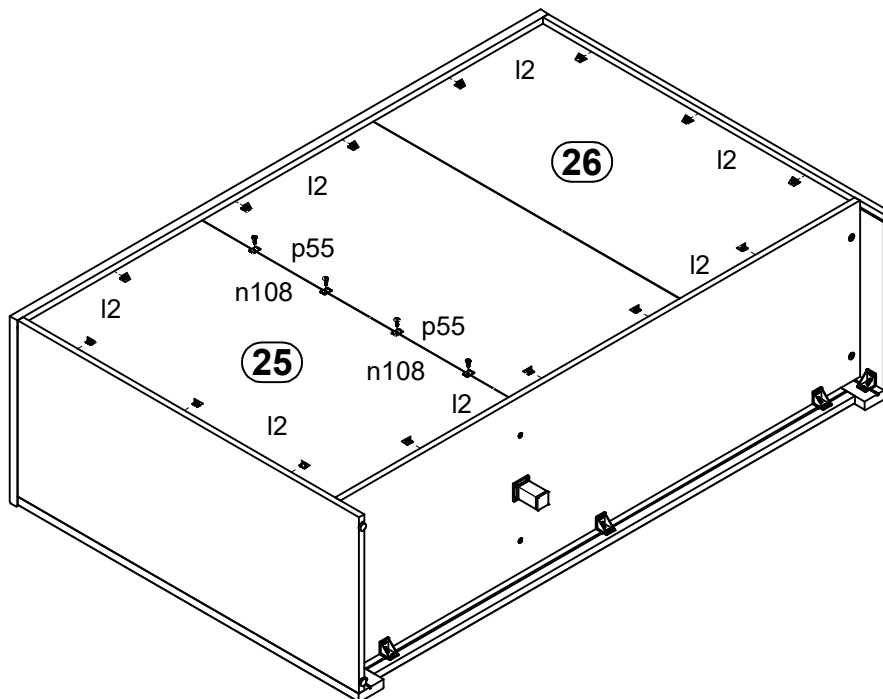
I



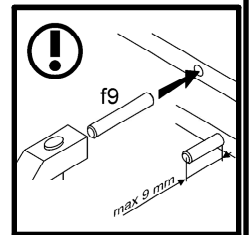
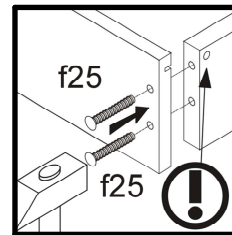
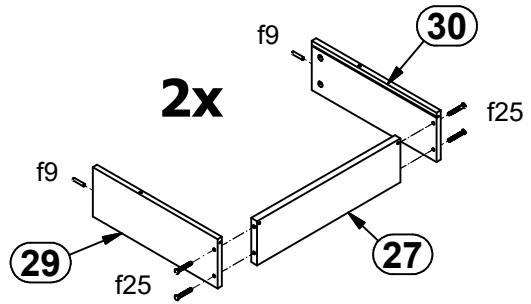
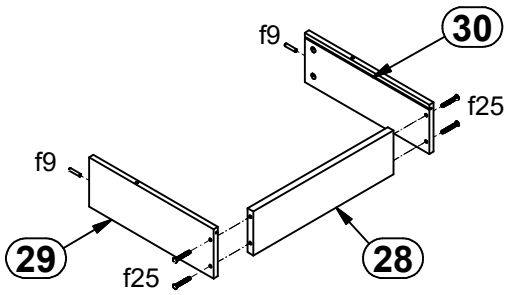
II



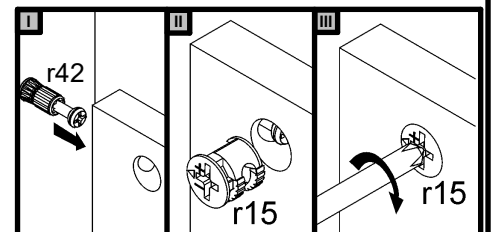
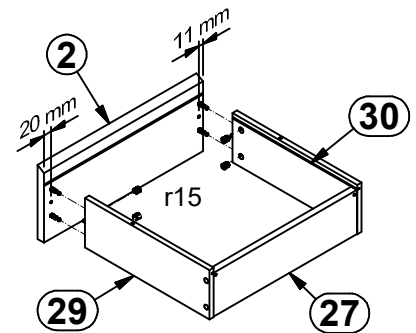
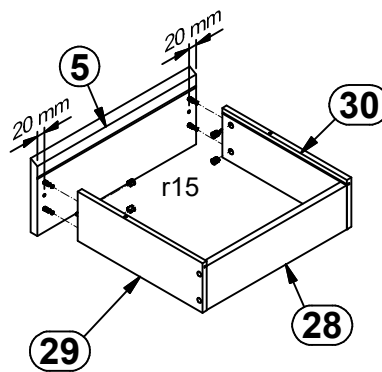
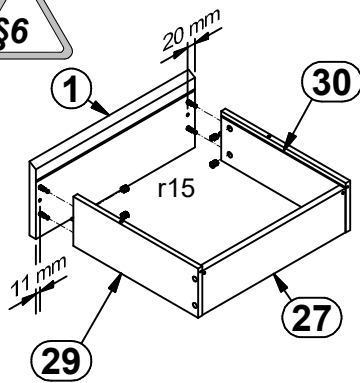
7



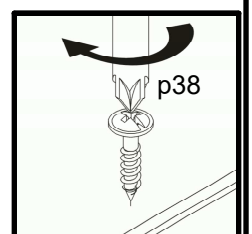
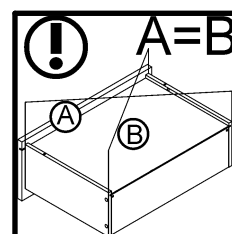
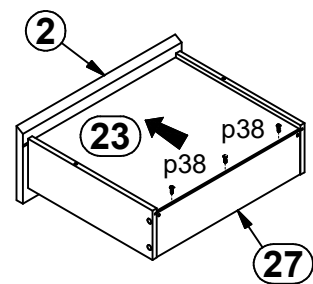
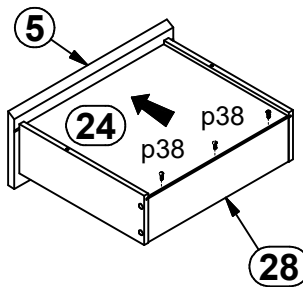
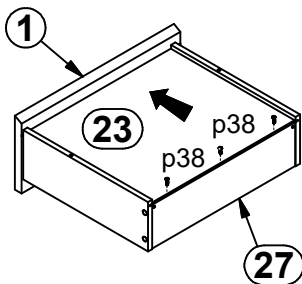
8



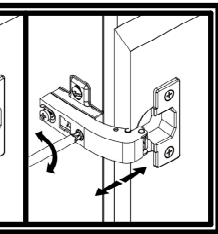
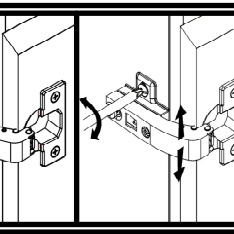
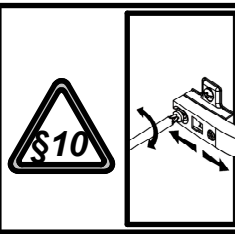
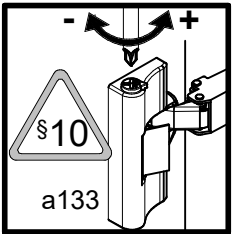
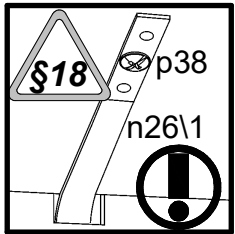
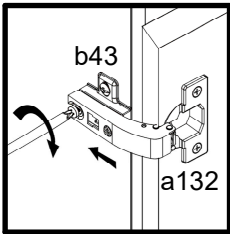
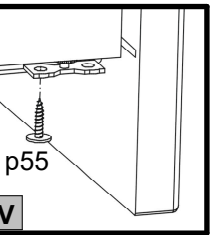
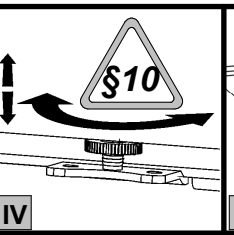
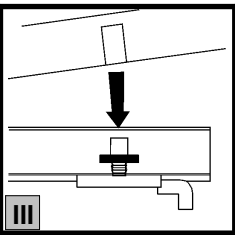
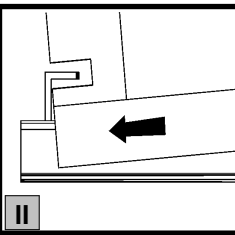
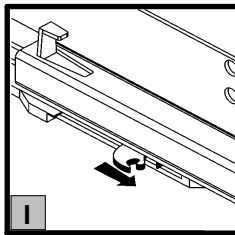
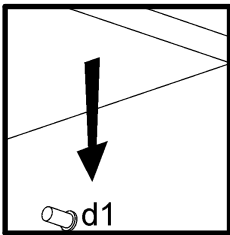
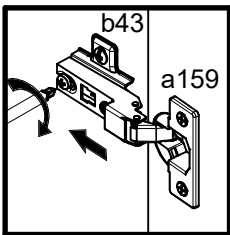
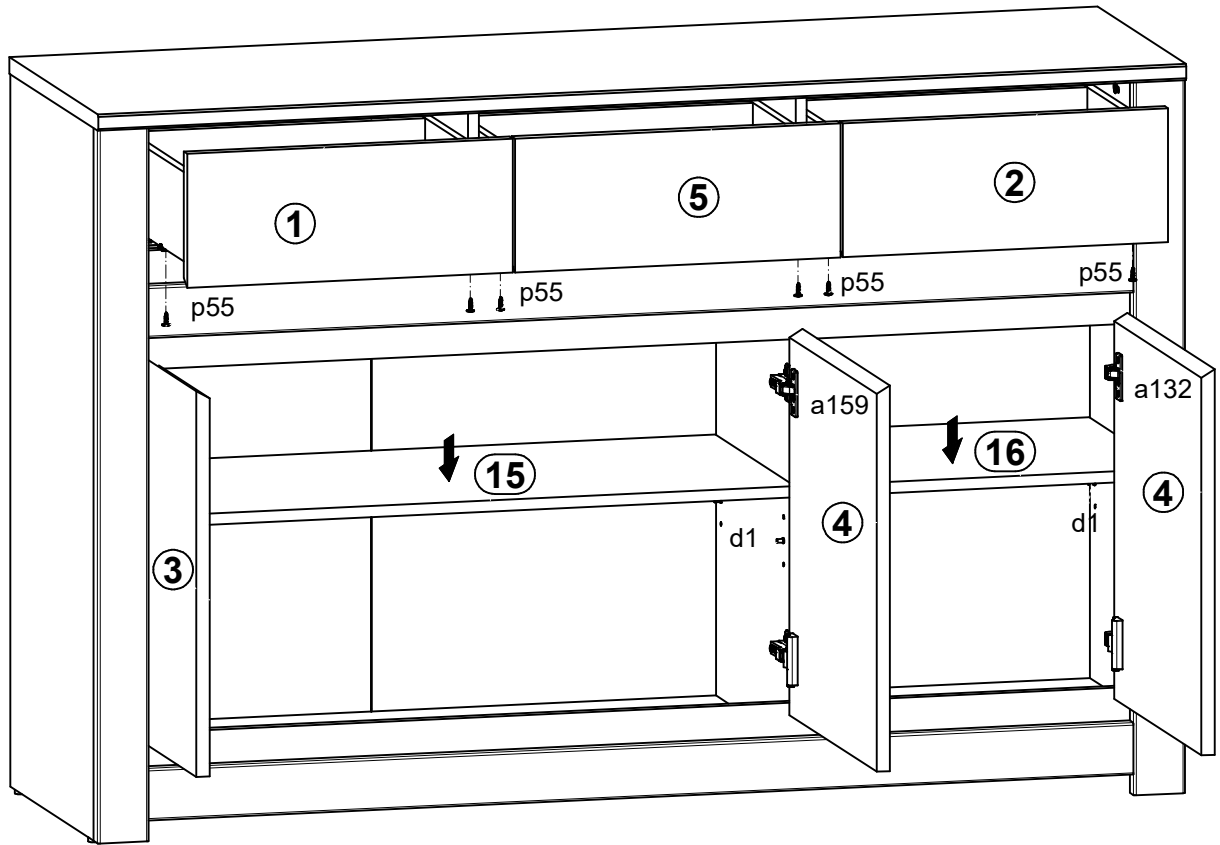
9



10

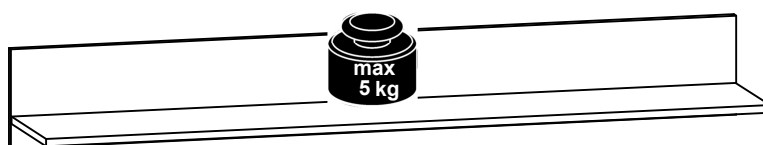
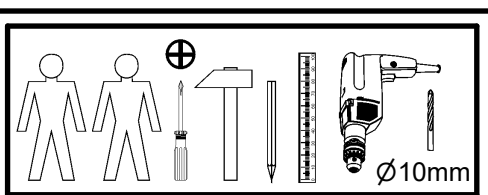
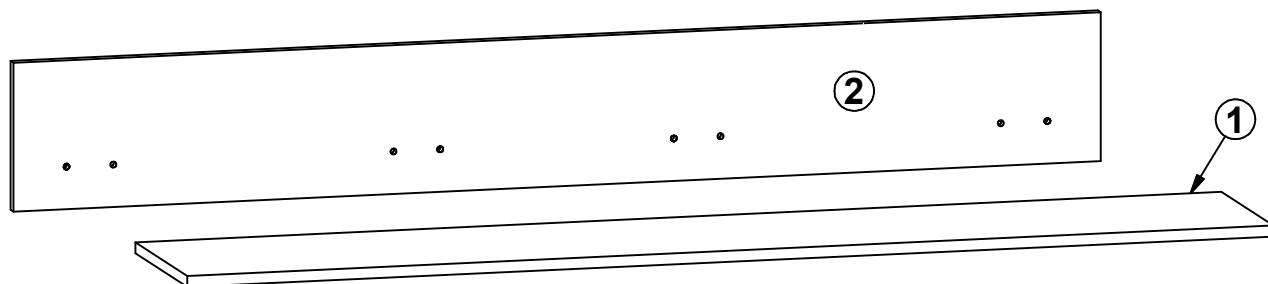
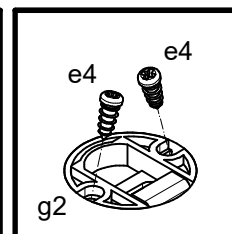
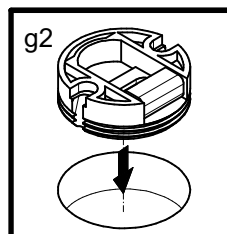
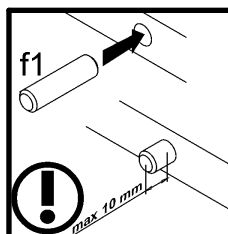
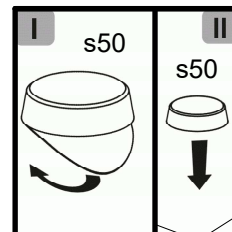
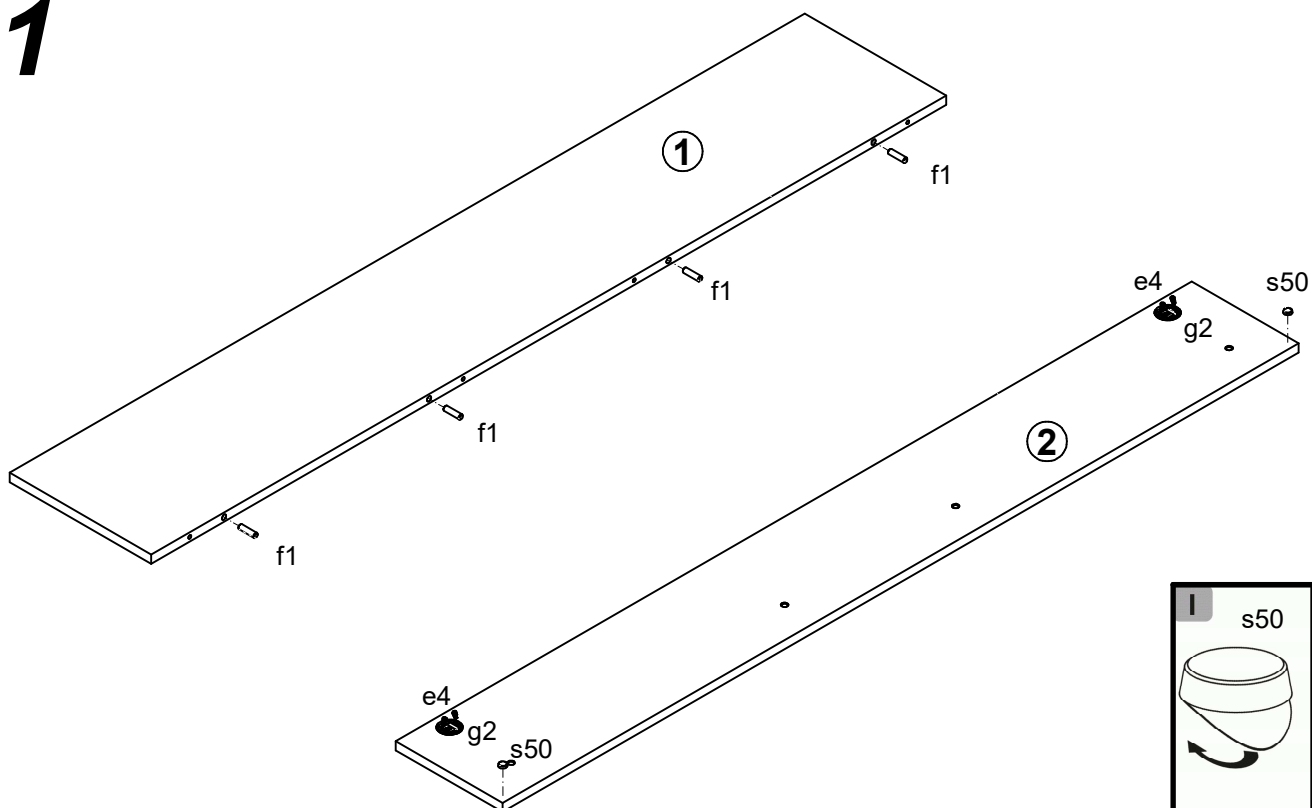


11

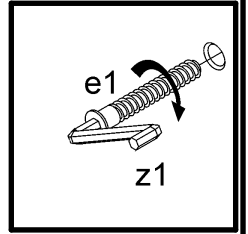
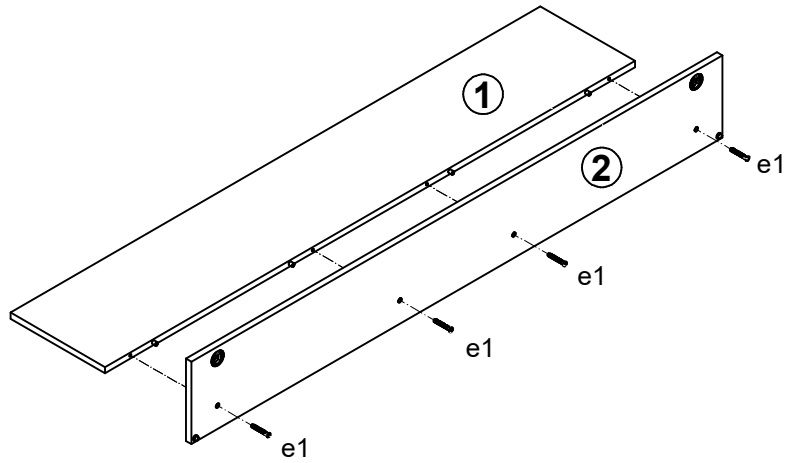


A**KADA / RUŠO****S404-POL/149 / S407-POL/149**

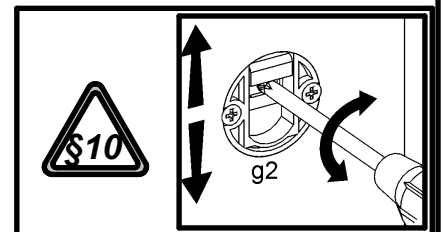
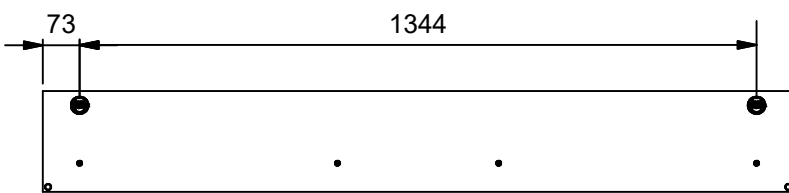
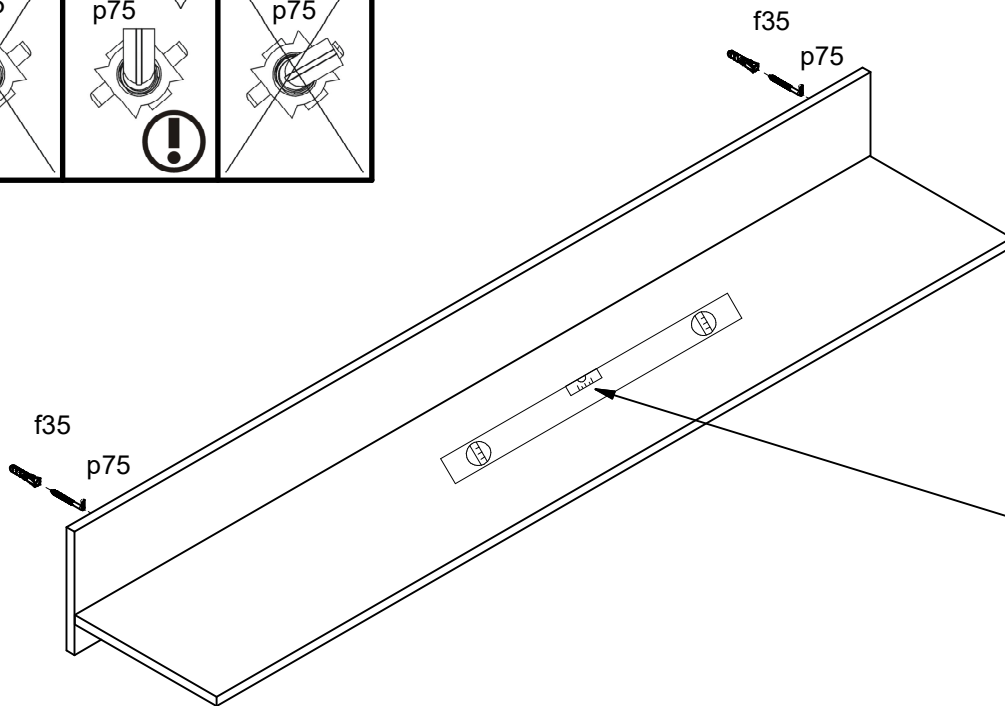
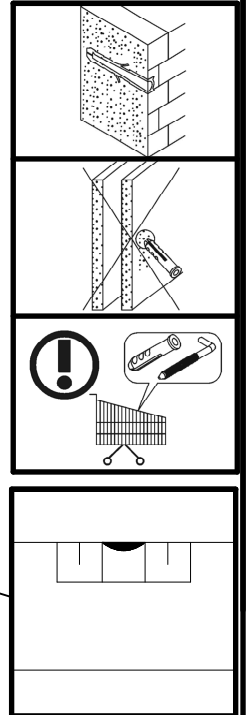
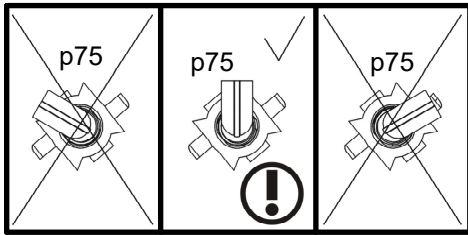
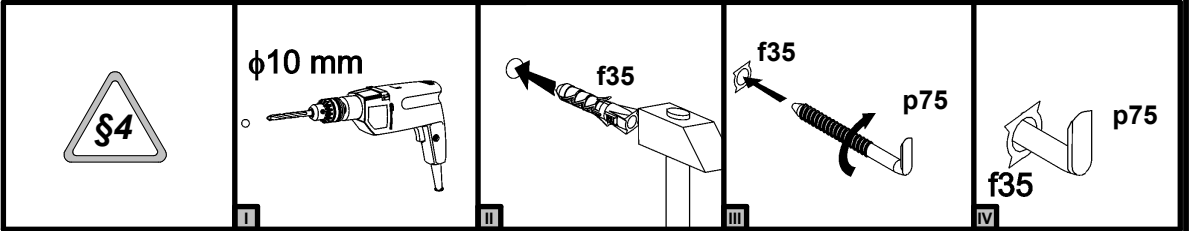
A	B	C	D
1	S404-3015	1488	265
2	S404-4012	1490	200

**1**

2

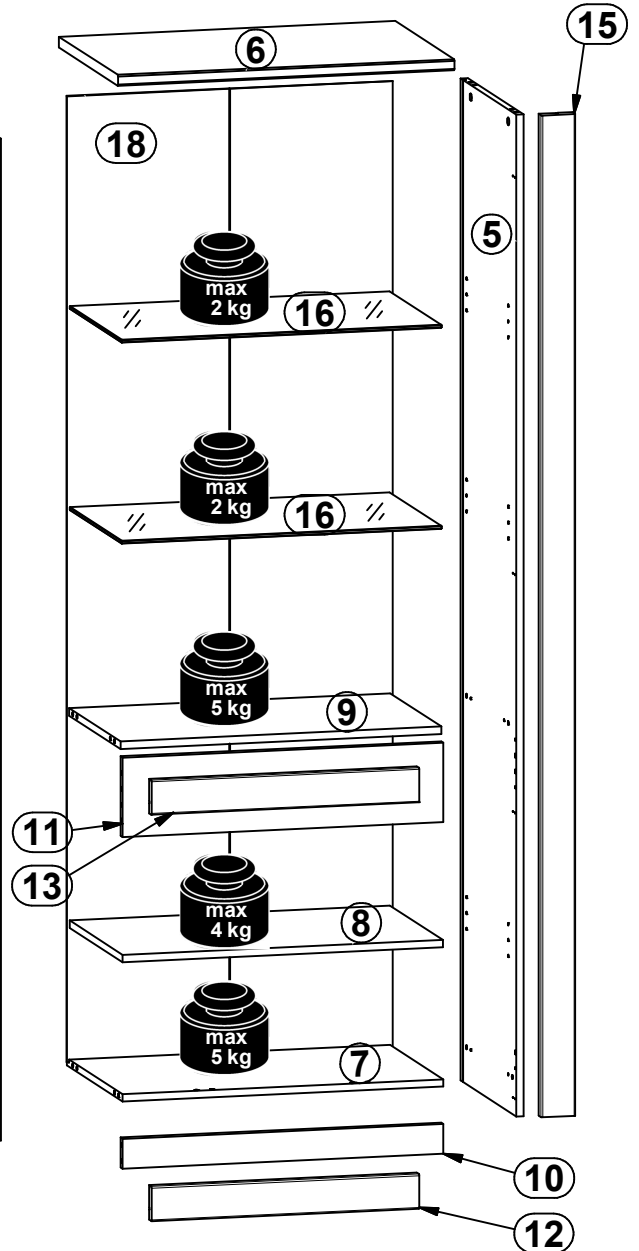
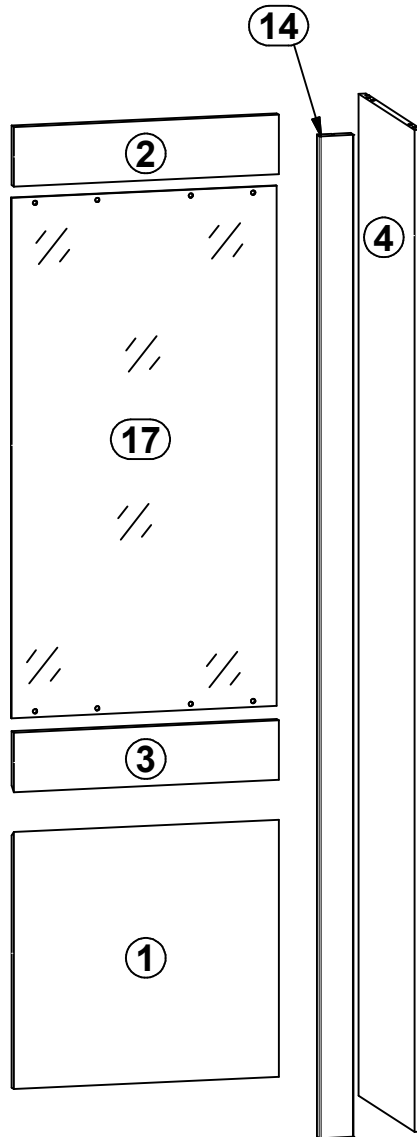
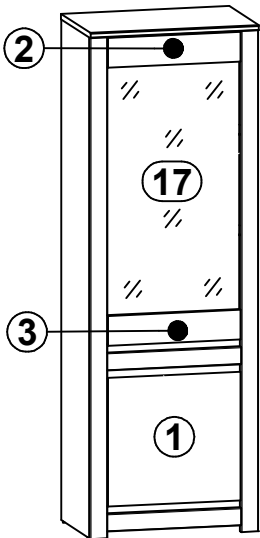
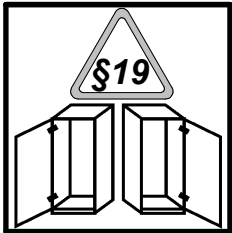
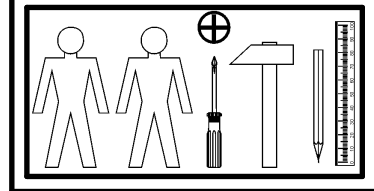


3

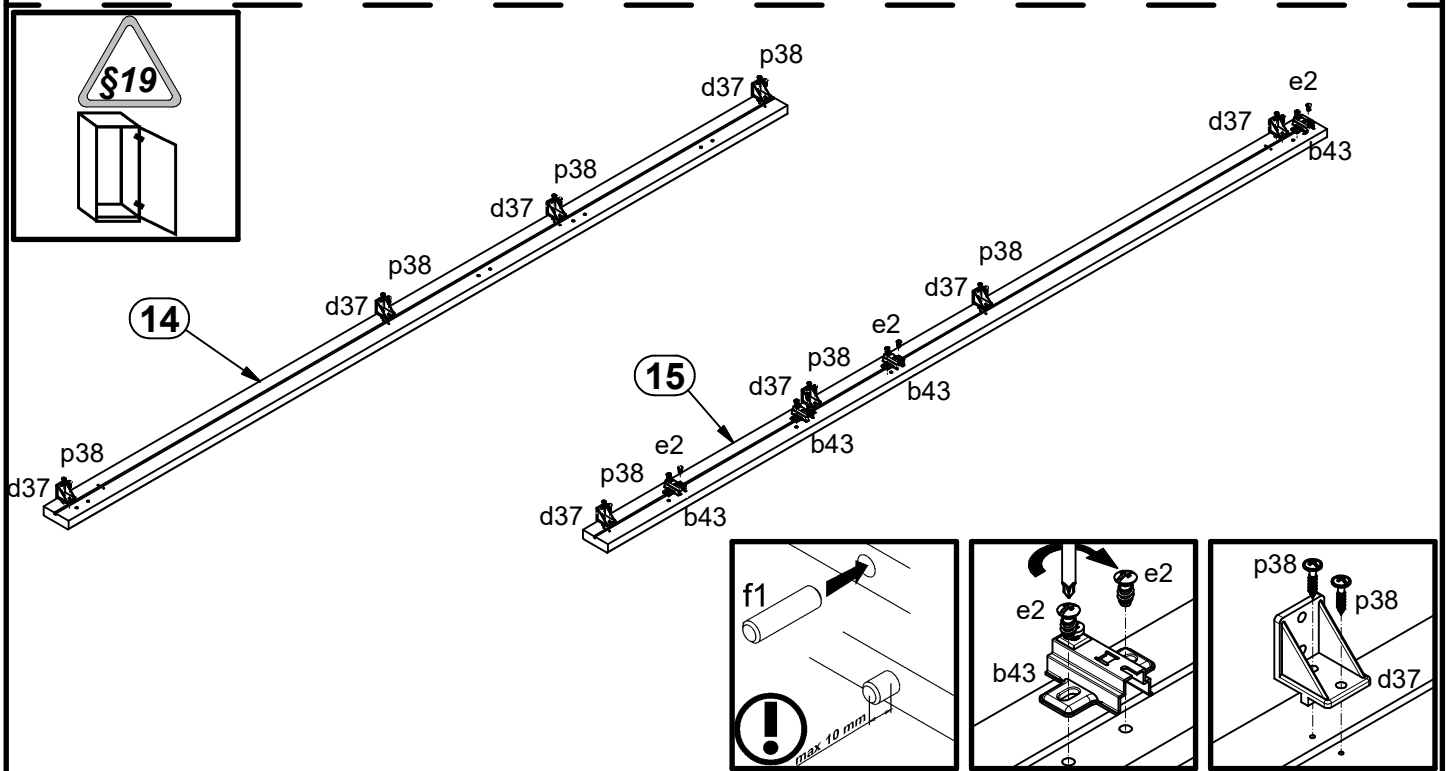
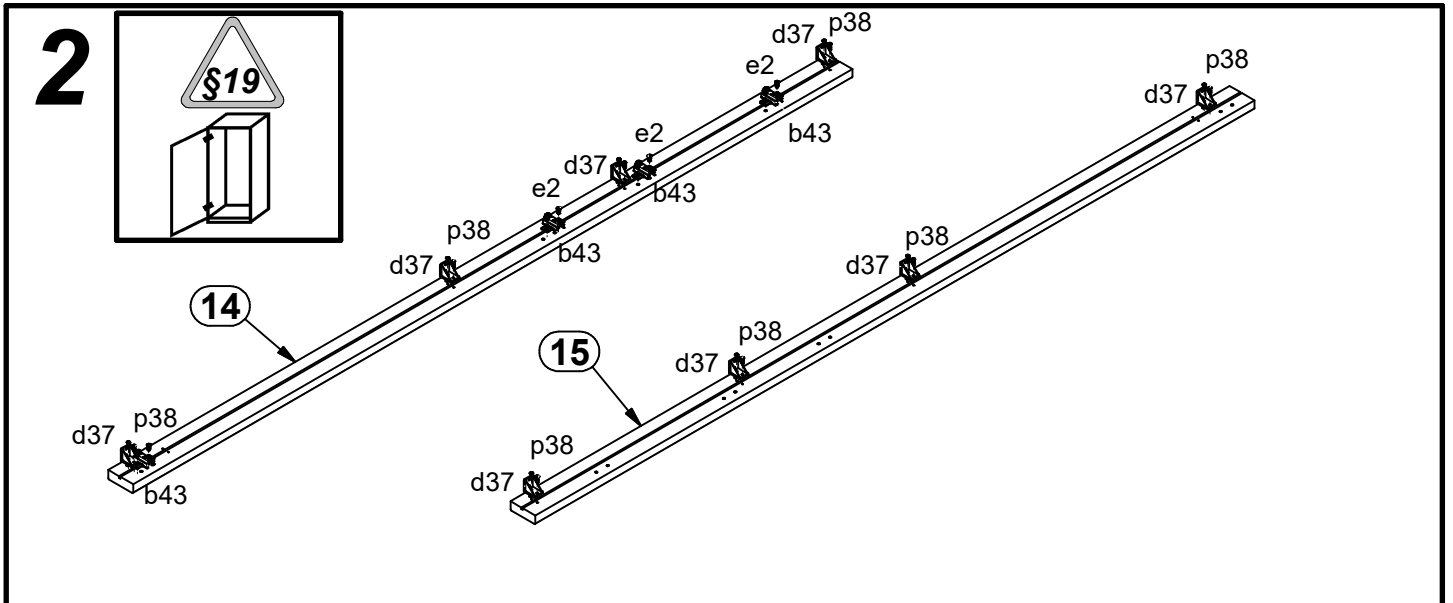
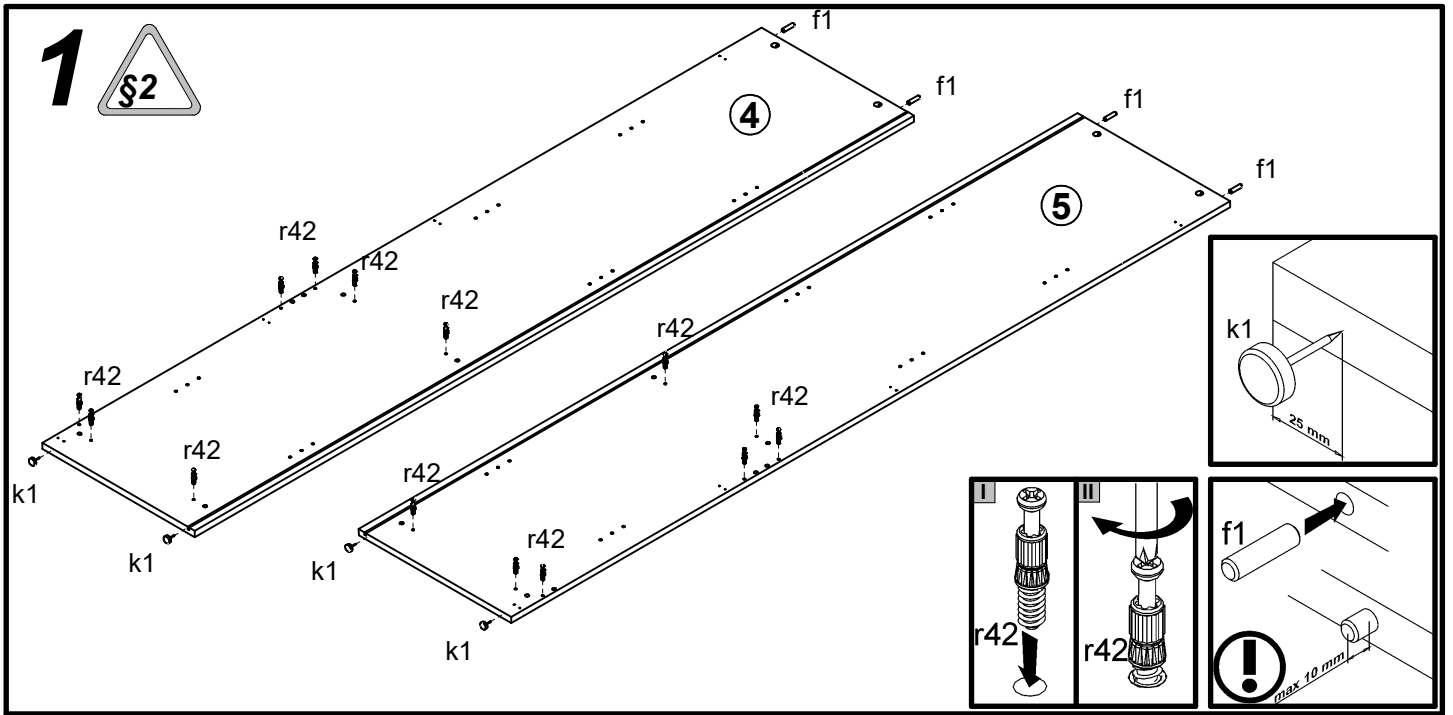


A	B	C	D
1	S404-0017	518	544
2	S404-0018	544	120
3	S404-0019	544	120
4	S404-1025	2018	428
5	S404-1026	2018	428
6	S404-2007	691	454
7	S404-3010	659	428
8	S404-3012	658	407
9	S404-3013	659	393

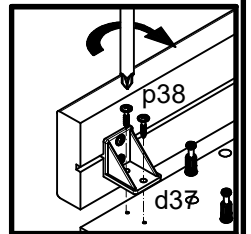
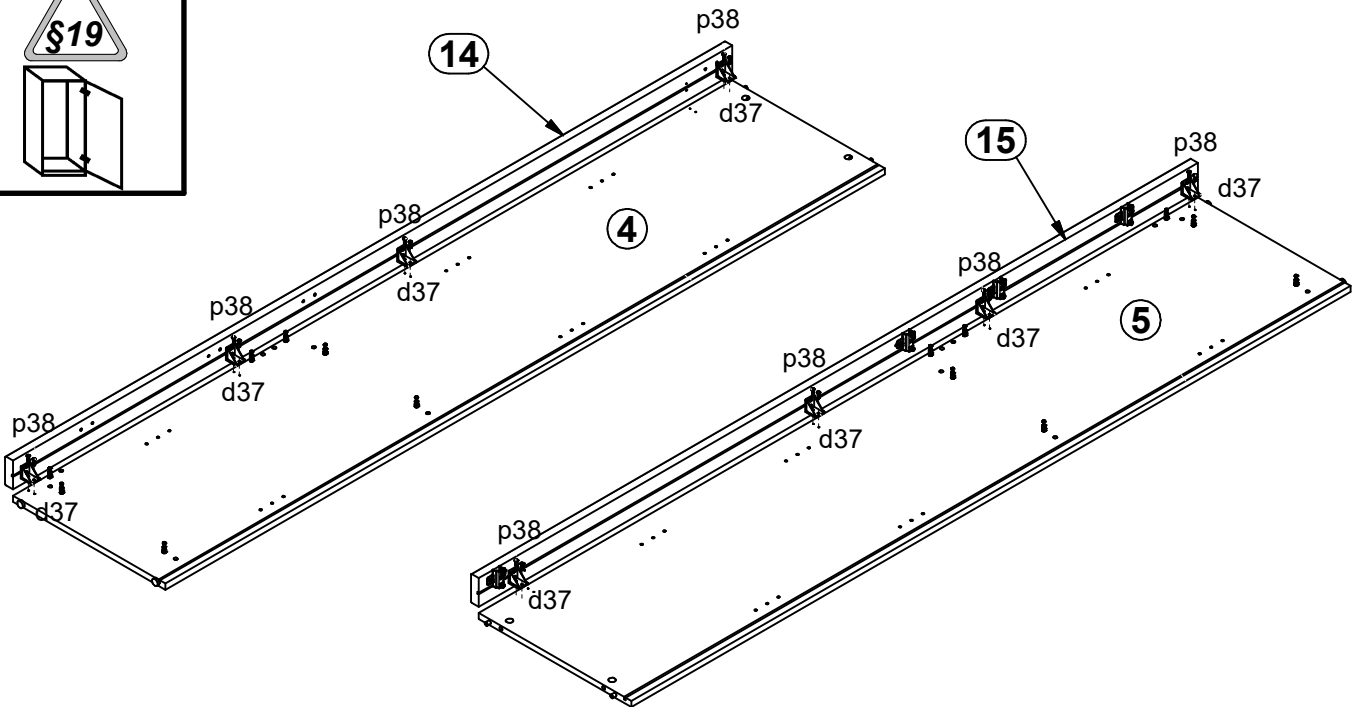
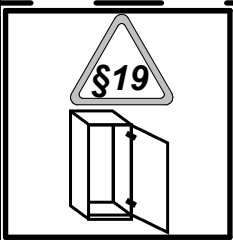
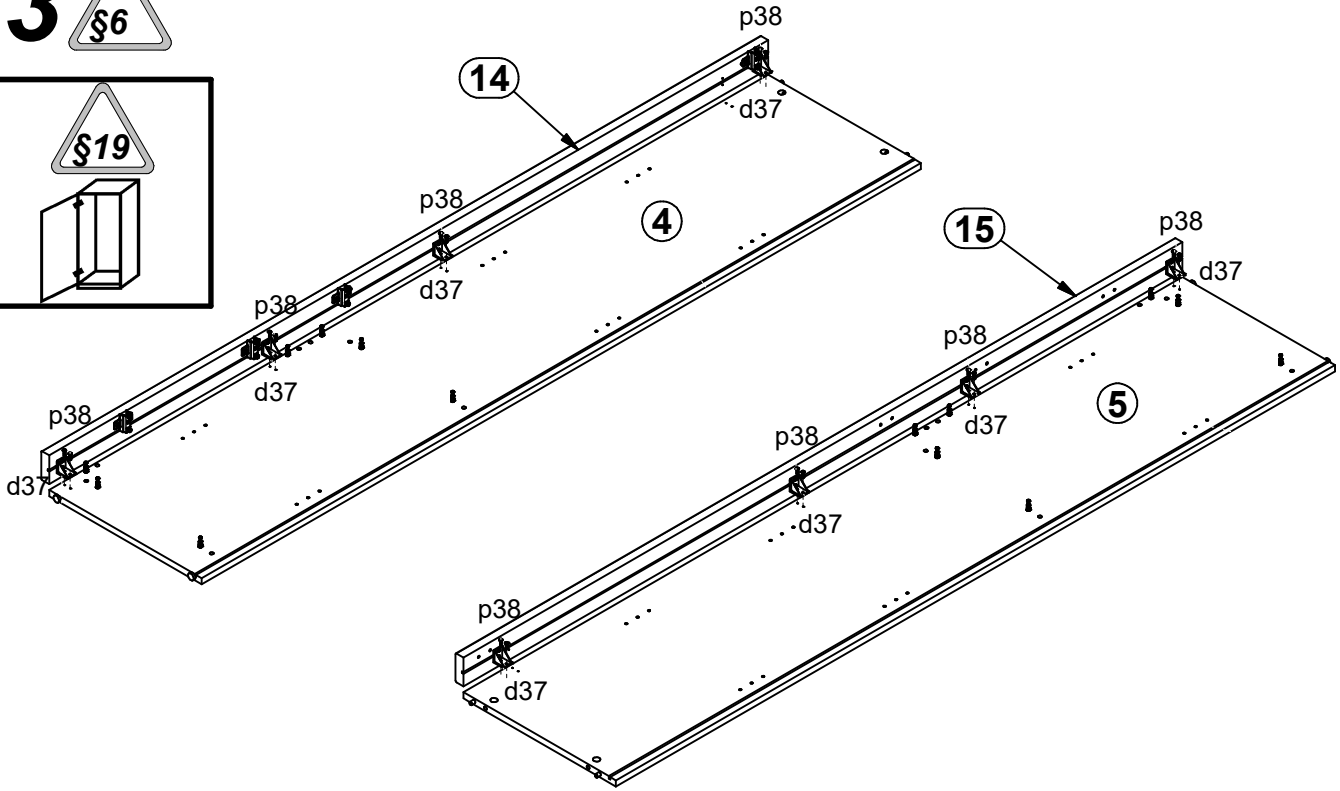
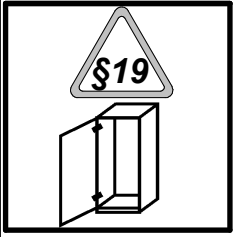
A	B	C	D
10	S404-4008	659	60
11	S404-4011	659	160
12	S404-5016	550	70
13	S404-5017	550	70
14	S404-5018	2018	70
15	S404-5019	2018	70
16	S404-5053	658	398
17	S404-5054	1048	544
18	S404-9306	1946	669

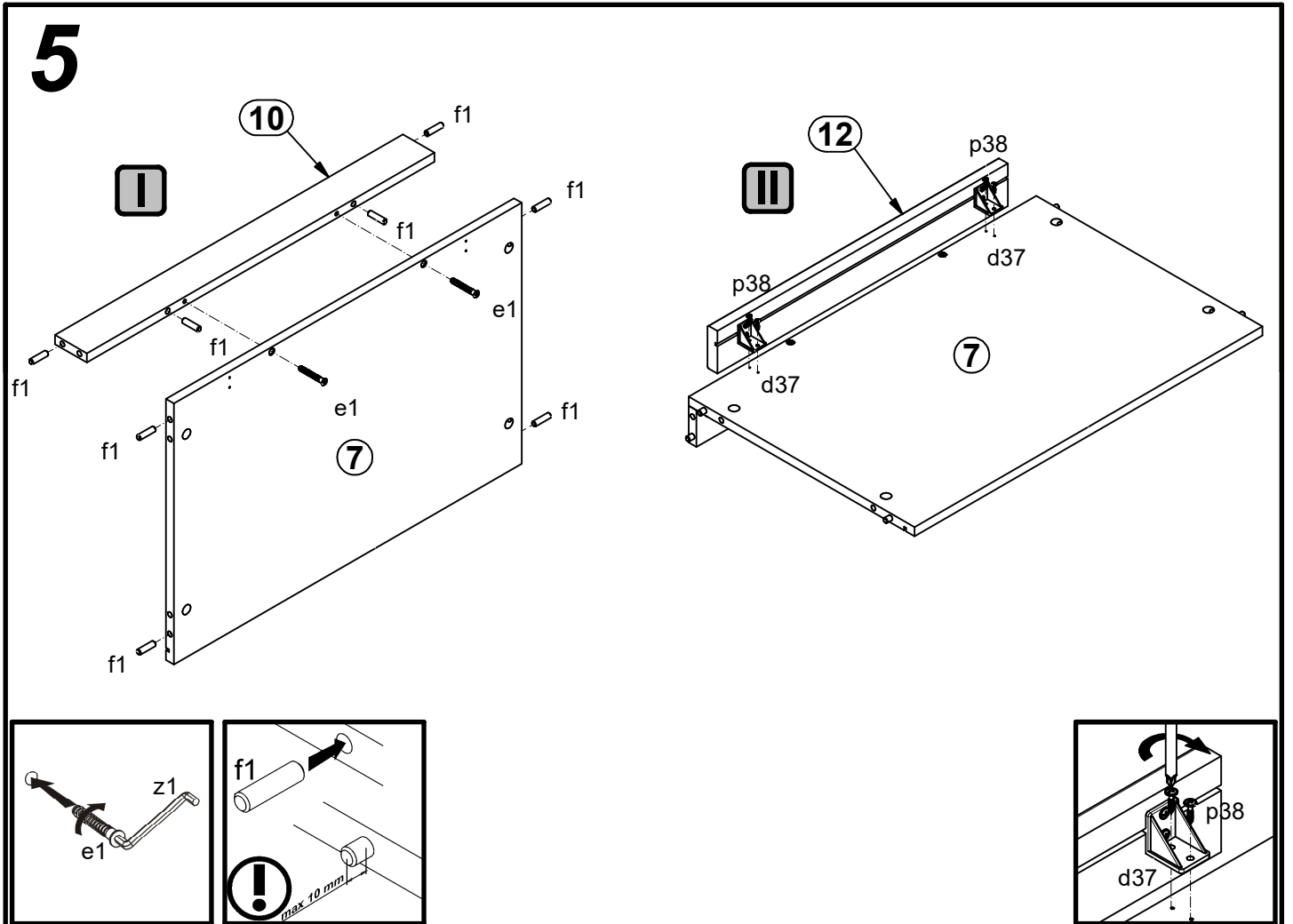
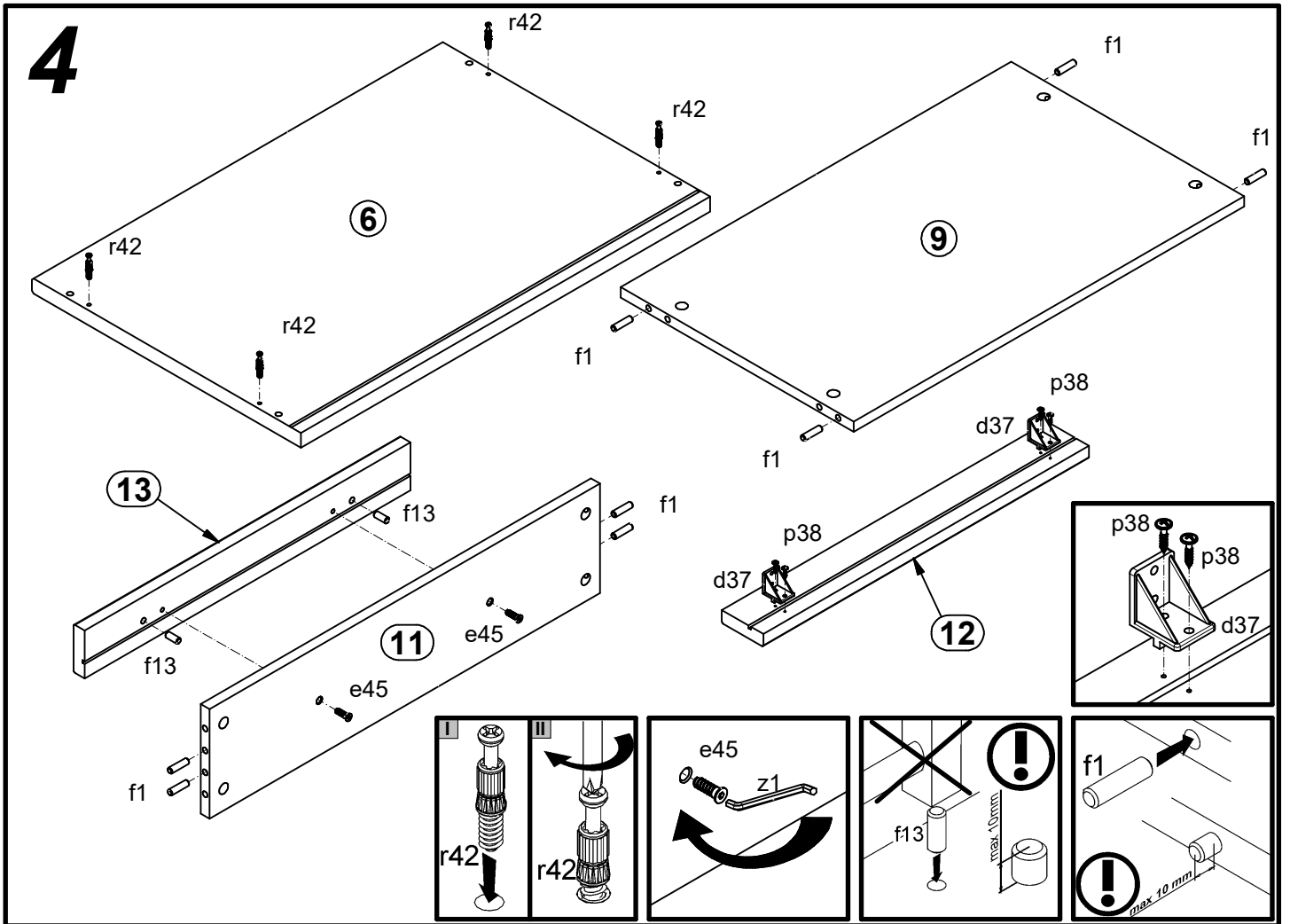


4x a132	2x a133	4x b43	4x d1 Ø5x17 mm	8x d3 Ø5x17 mm	10x d37	2x e1 Ø7x50 mm	8x e2 Ø6.3x13 mm	8x e41 Ø5x12 mm
2x e45 Ø7x24 mm	20x f1 Ø8x30 mm	2x f13 Ø8x20 mm	4x k1	10x l1 1.4x20 mm	14x l2	8x o54 Ø5.3/Ø6.3x4.8 mm	40x p38 Ø3.5x16 mm	8x p51 Ø3.5x15 mm
18x r1 Ø15x12 mm #16	18x r42 20/11	4x s71 Ø35x62x40x10	4x s2 Ø16	1x z1 4 mm				
						1x n26/1		1x p38 Ø3.5x16 mm

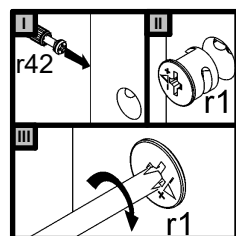
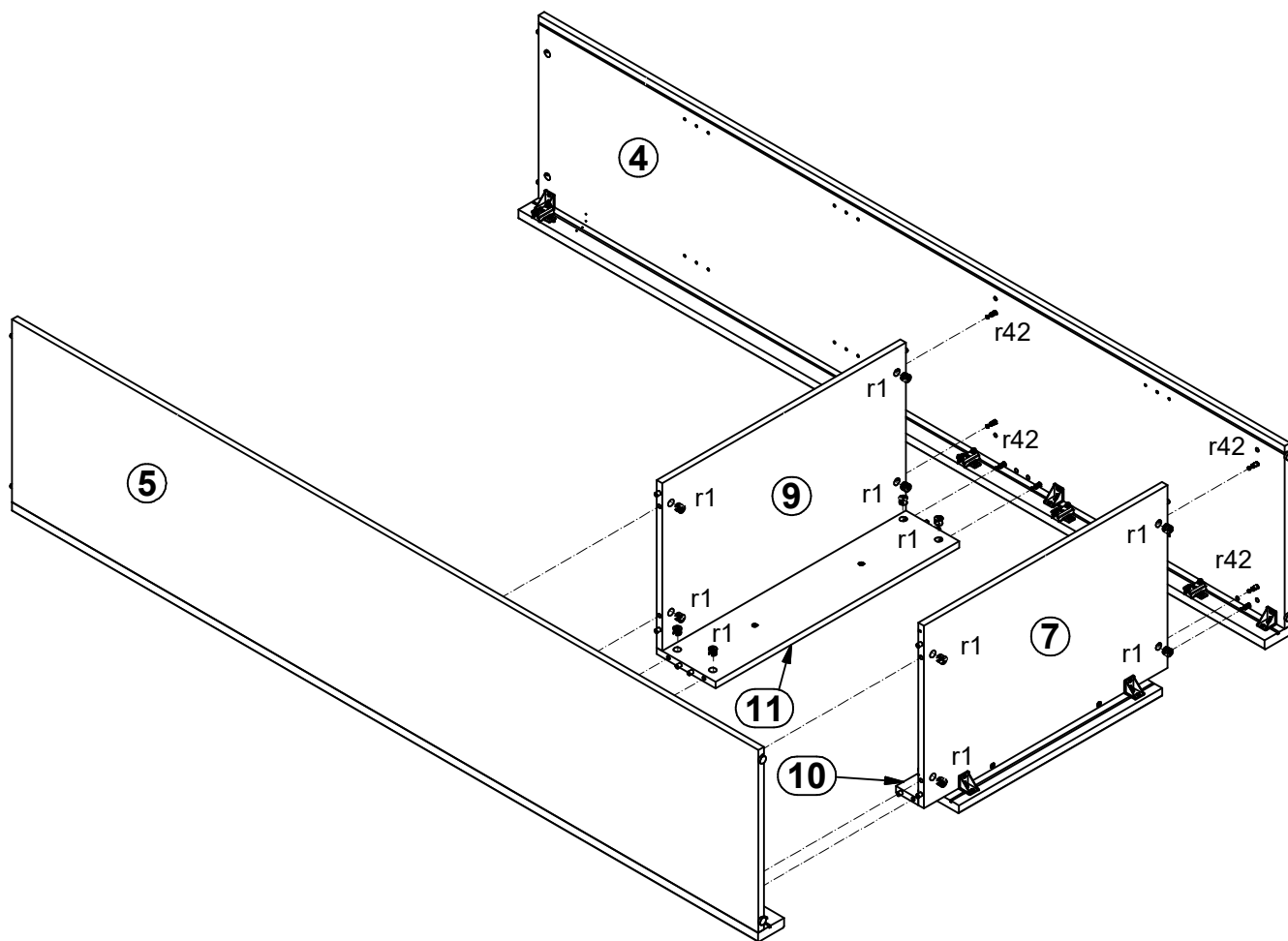


3 §6



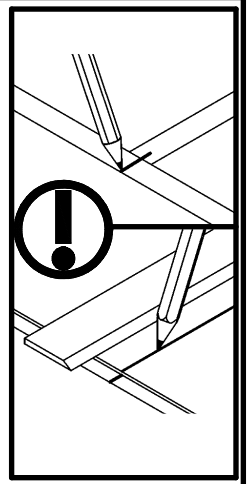
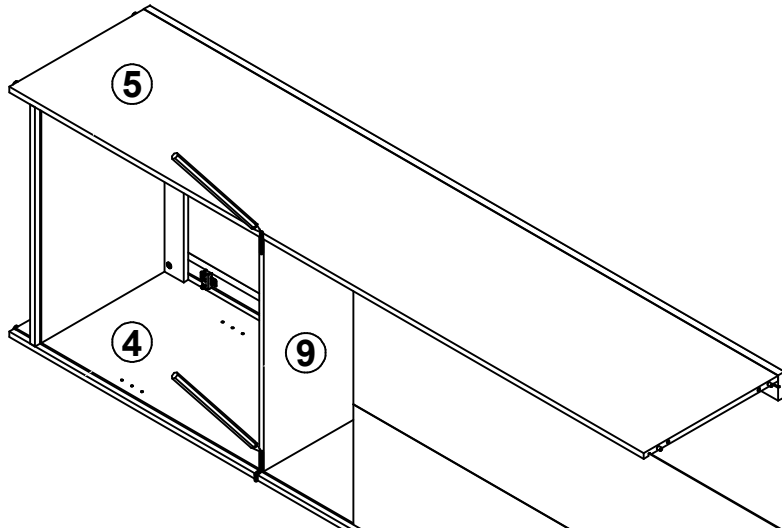


6

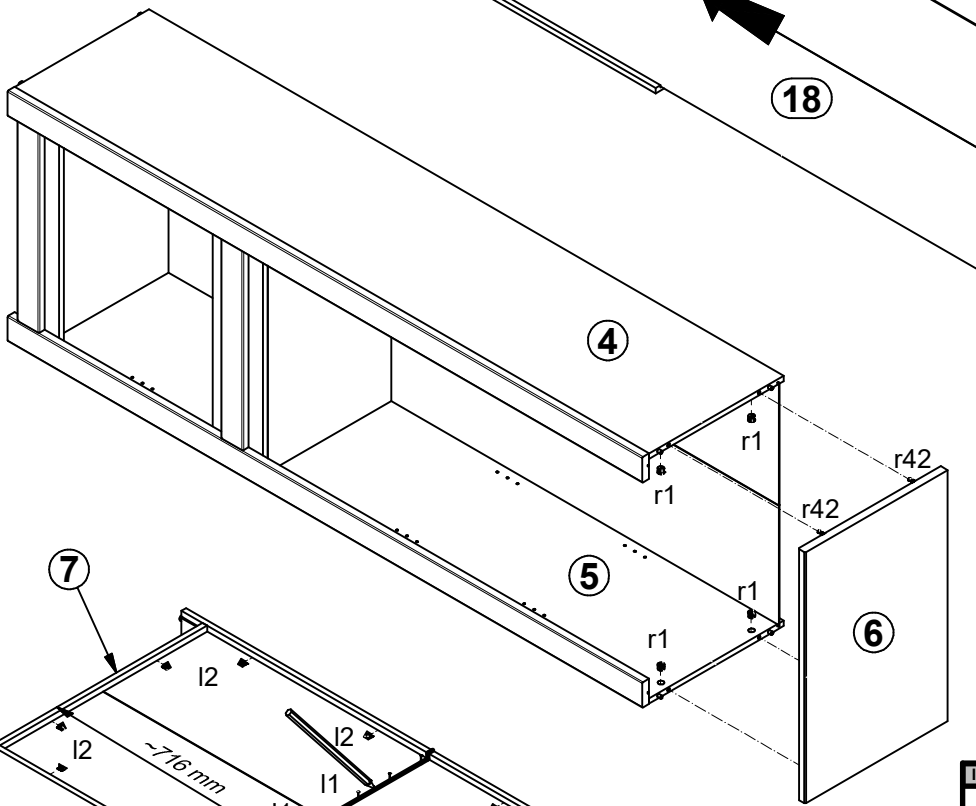


7

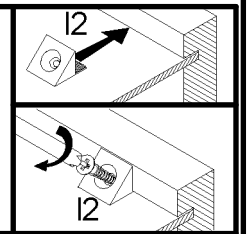
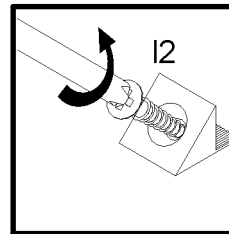
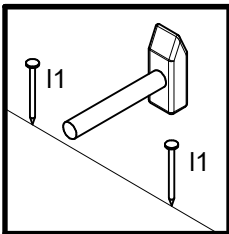
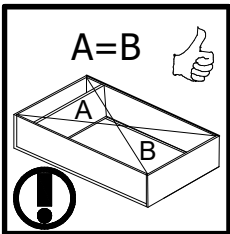
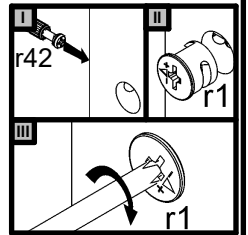
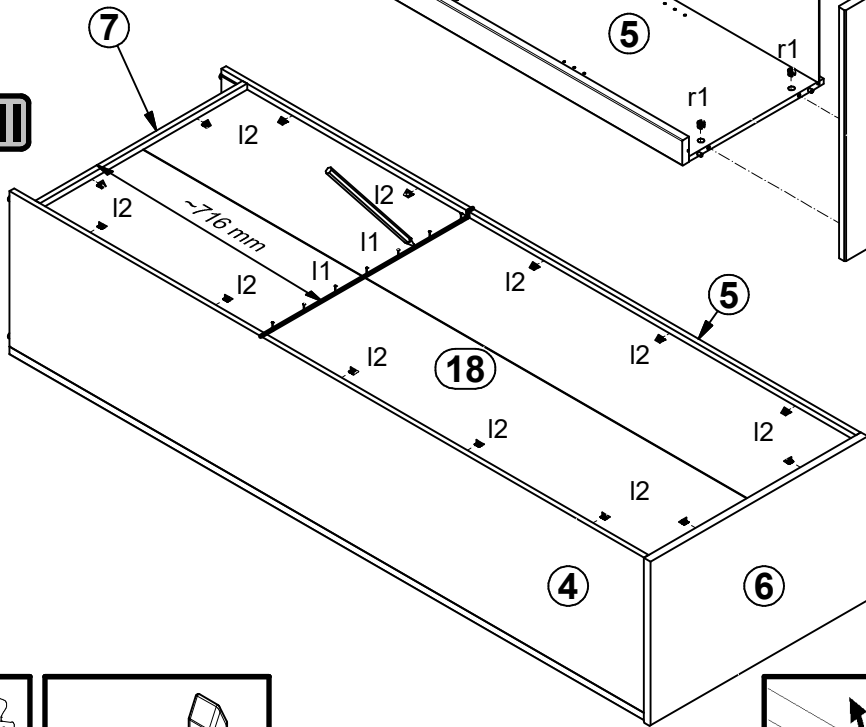
I



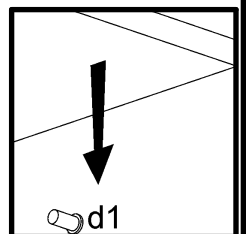
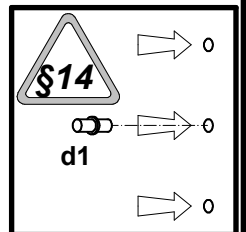
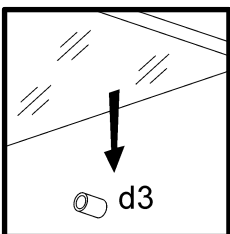
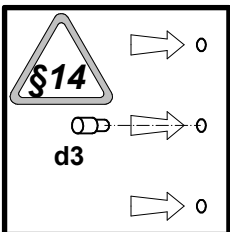
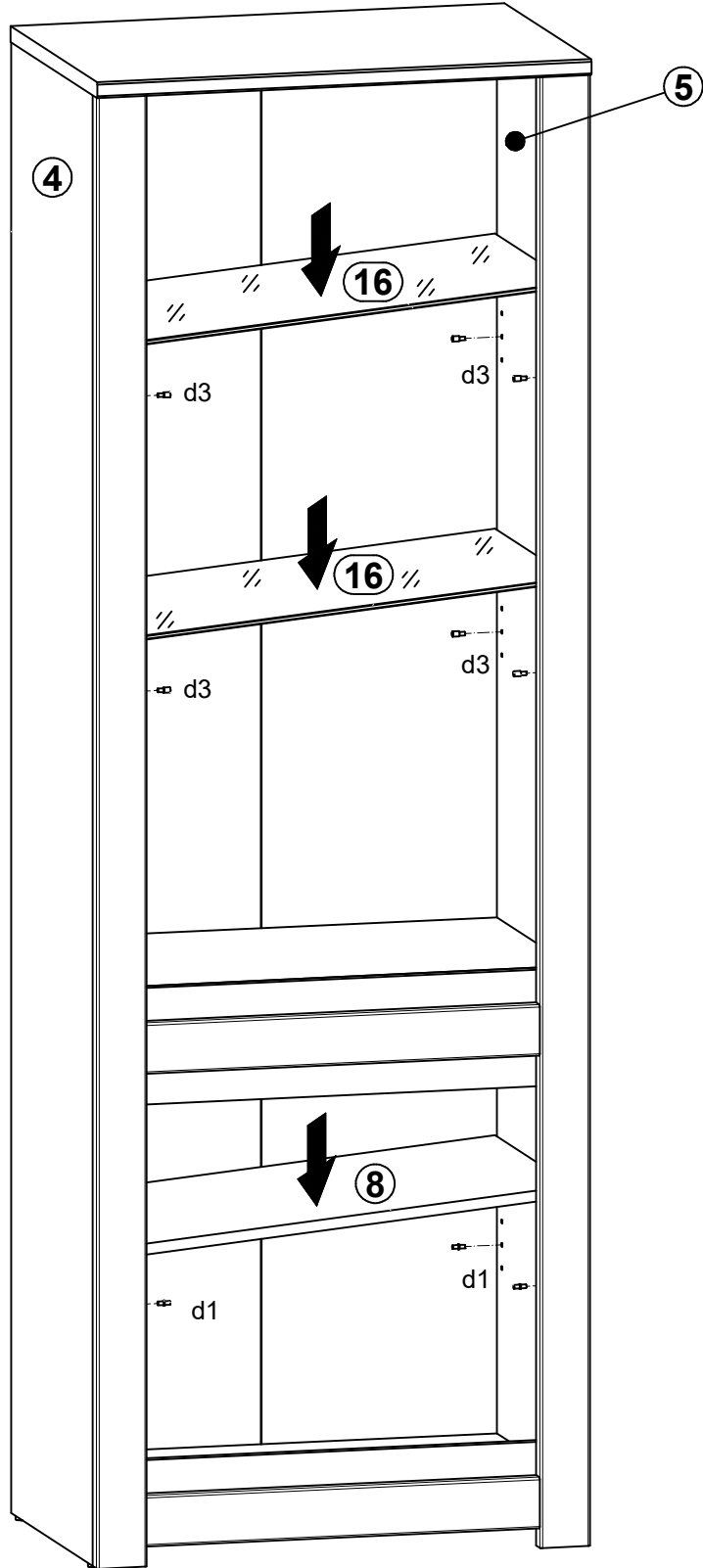
II



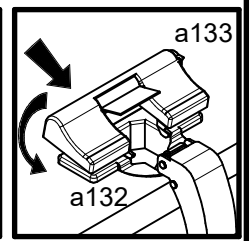
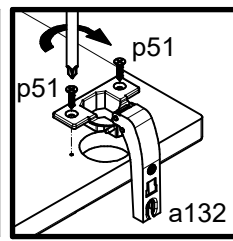
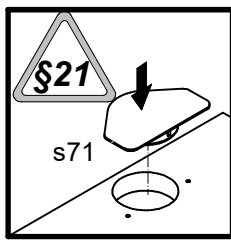
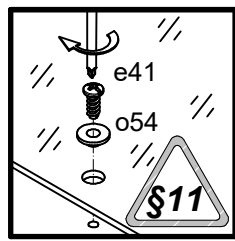
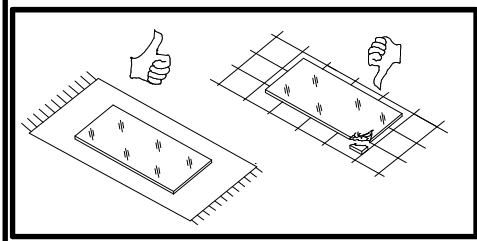
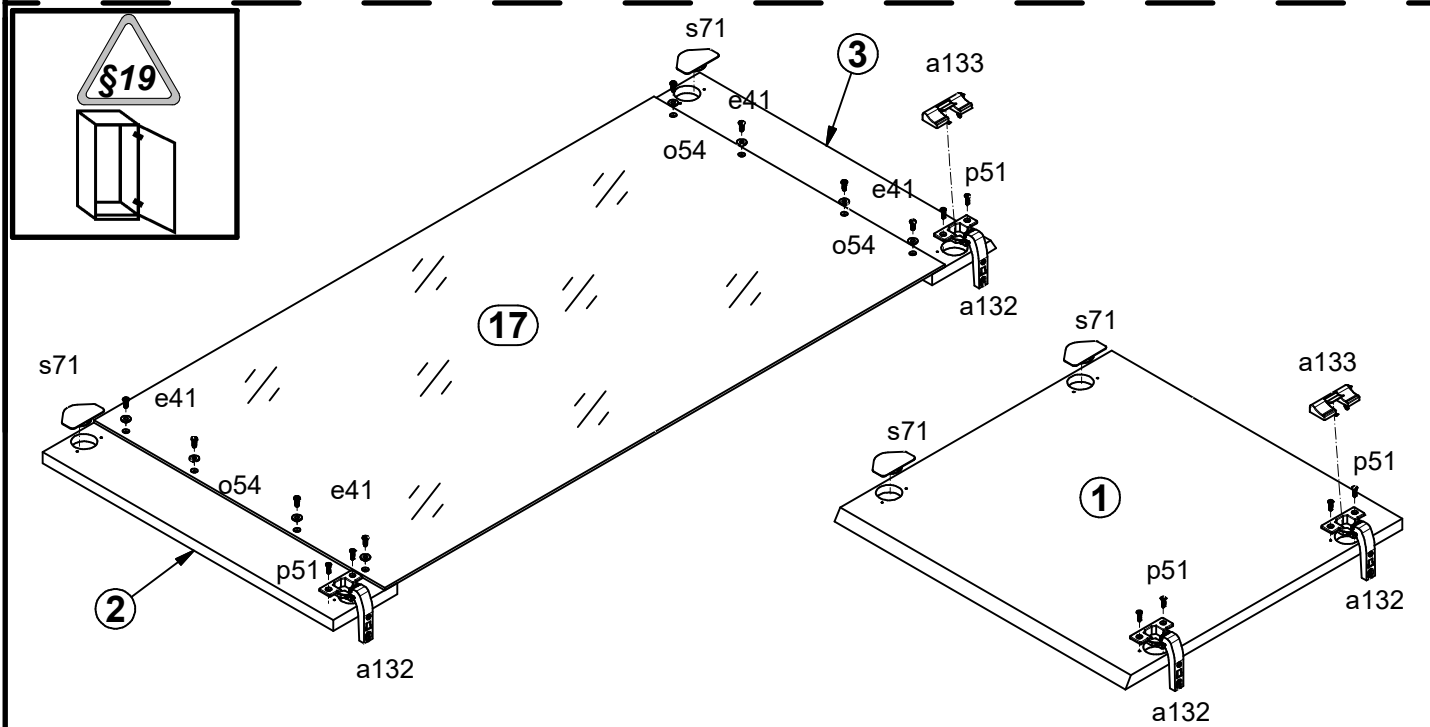
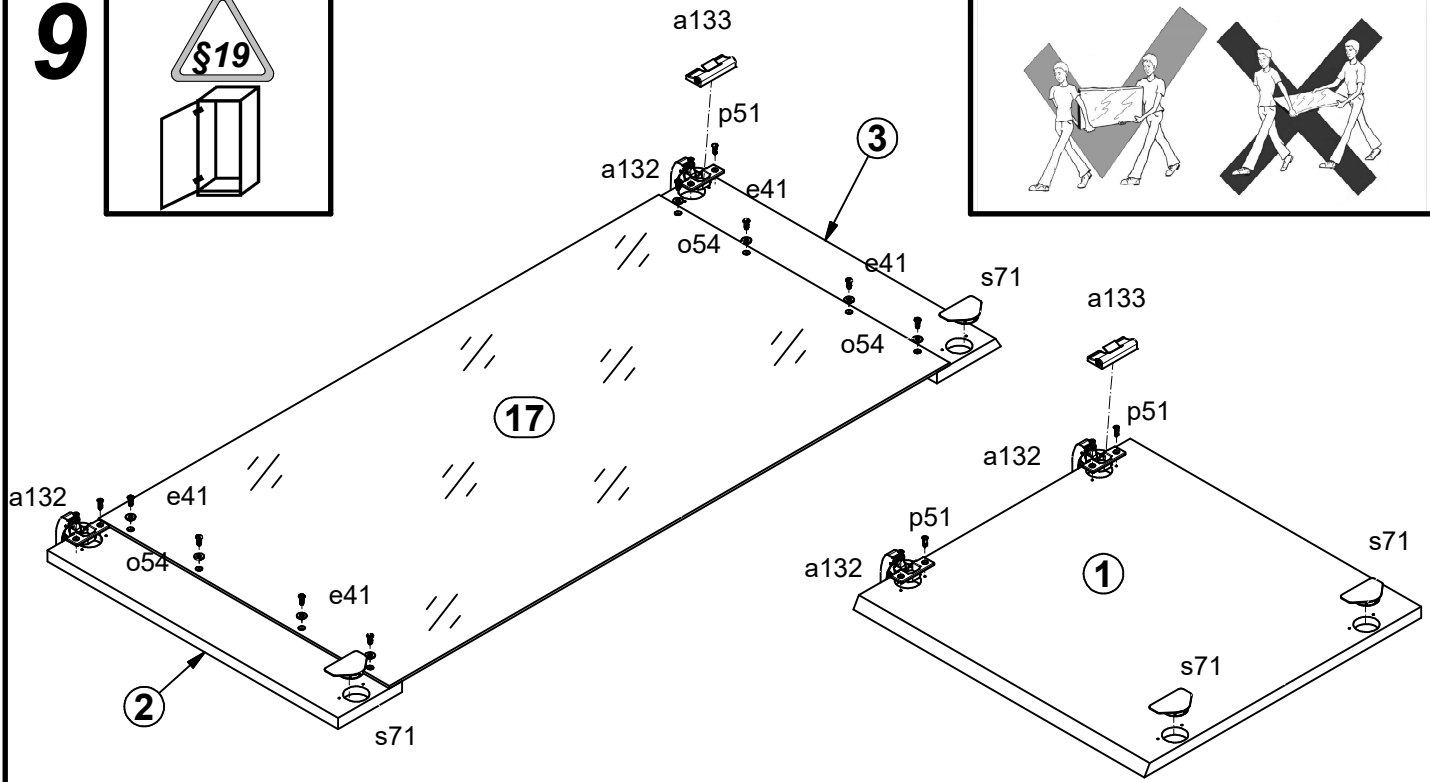
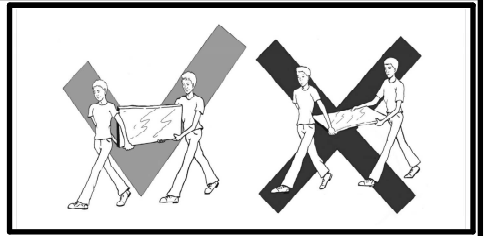
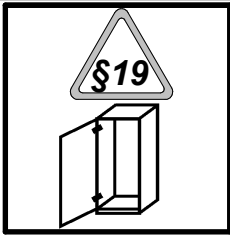
III



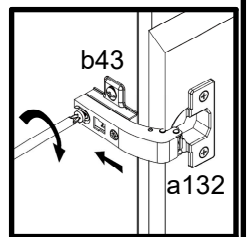
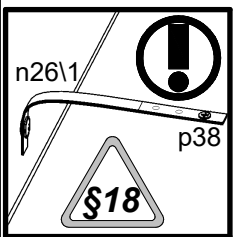
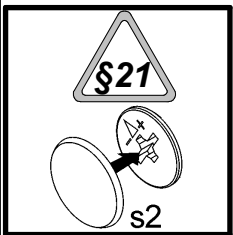
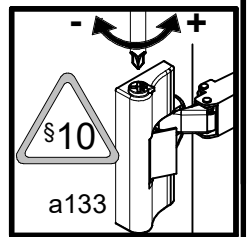
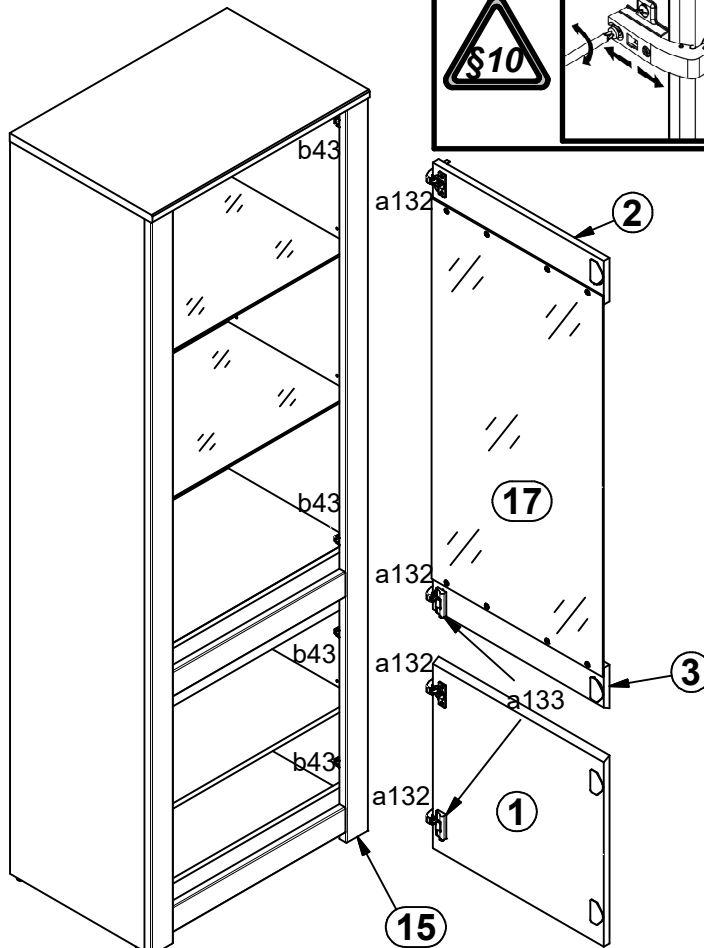
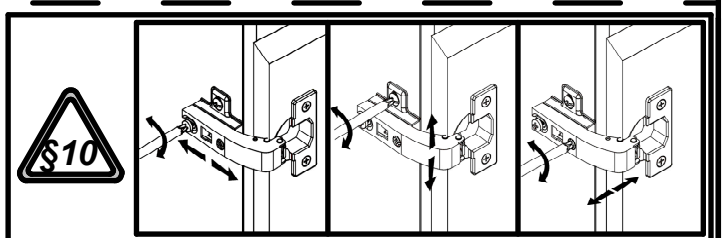
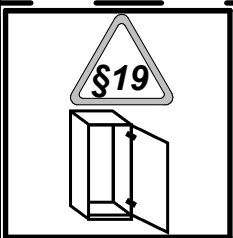
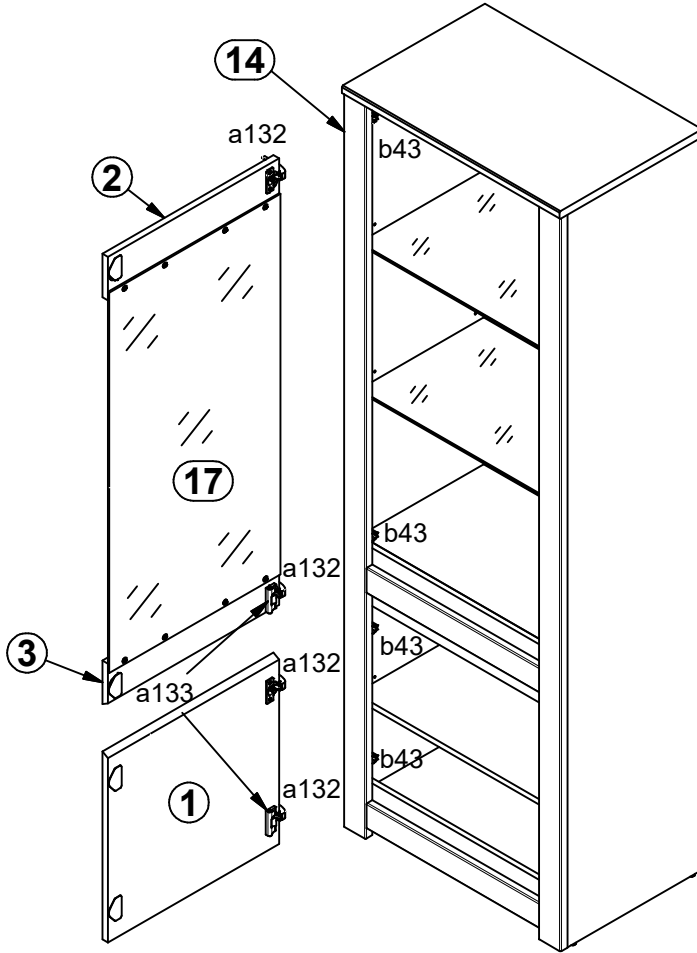
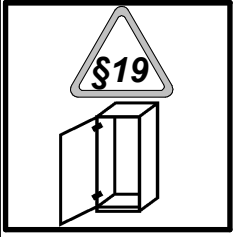
8



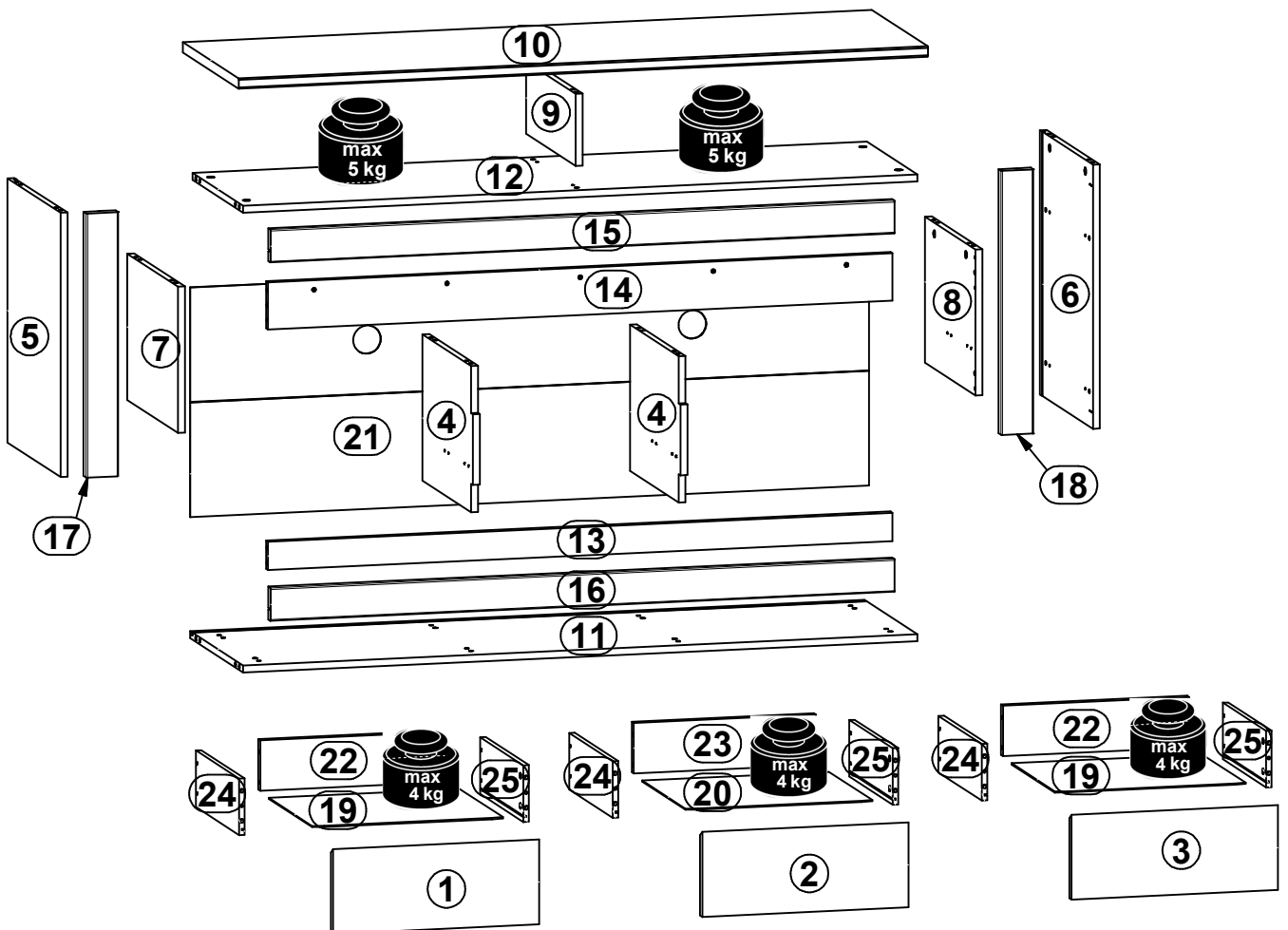
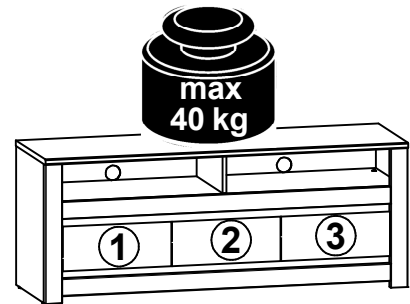
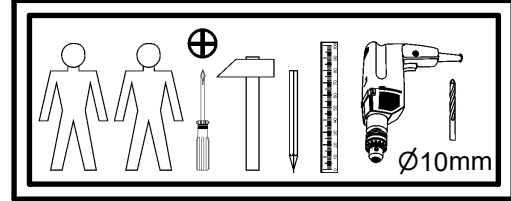
9



10

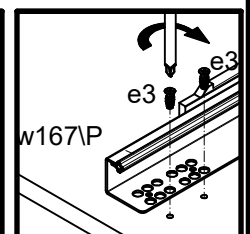
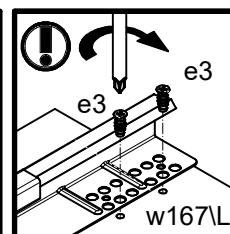
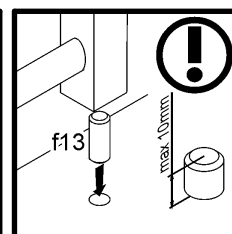
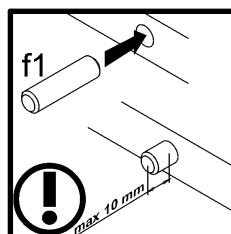
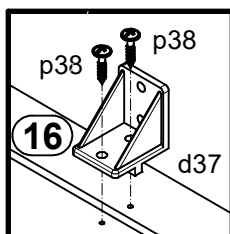
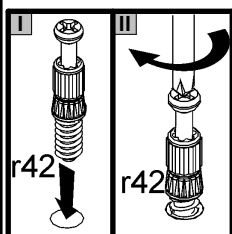
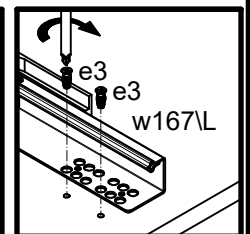
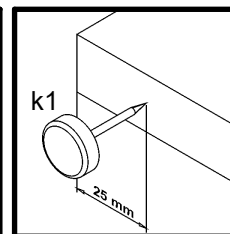
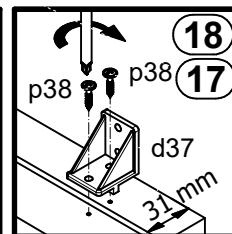
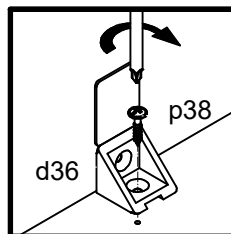
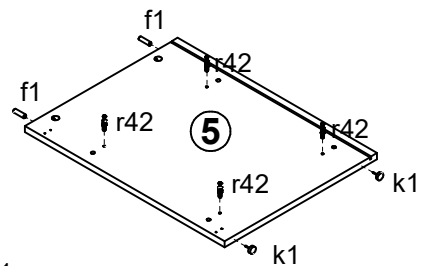
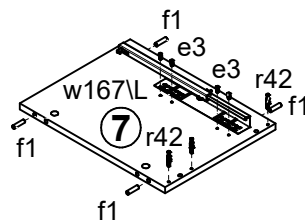
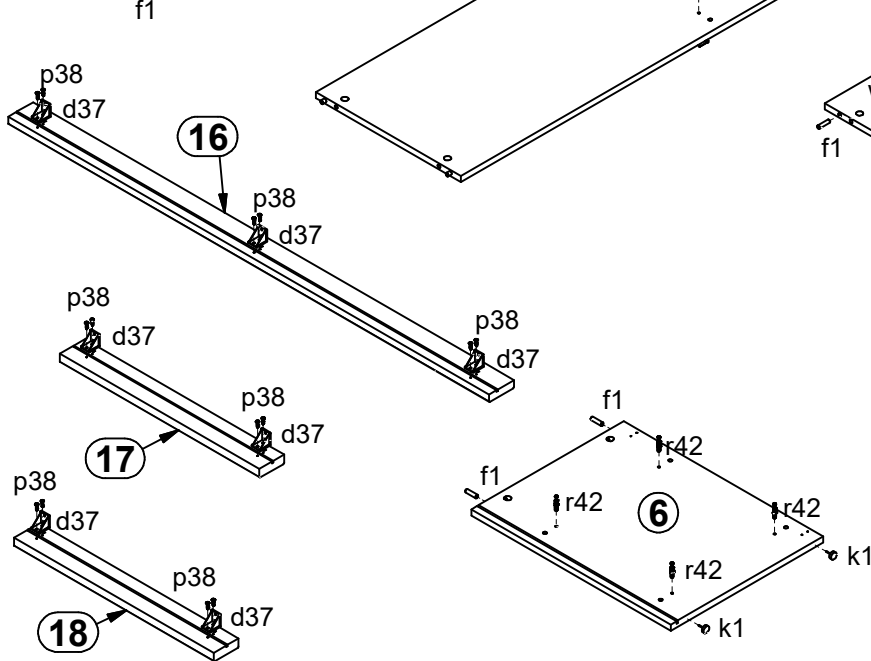
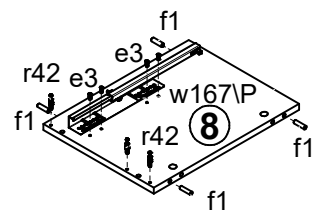
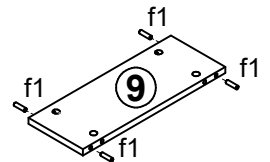
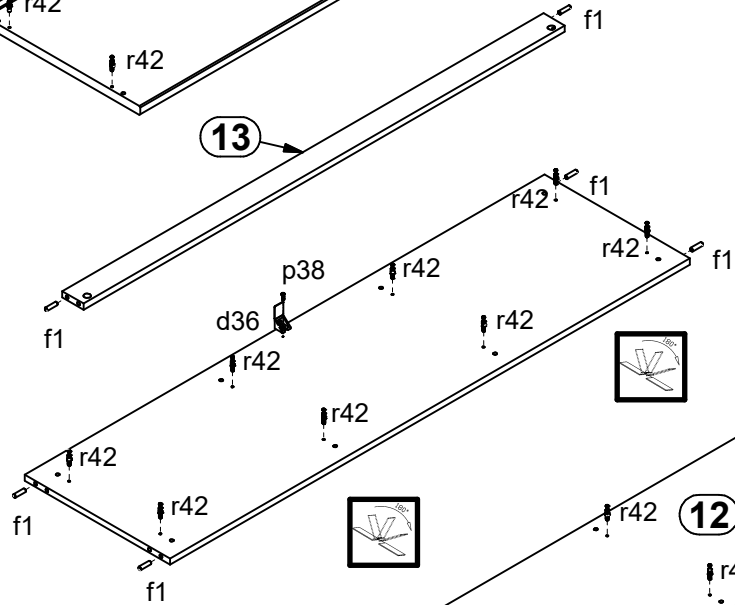
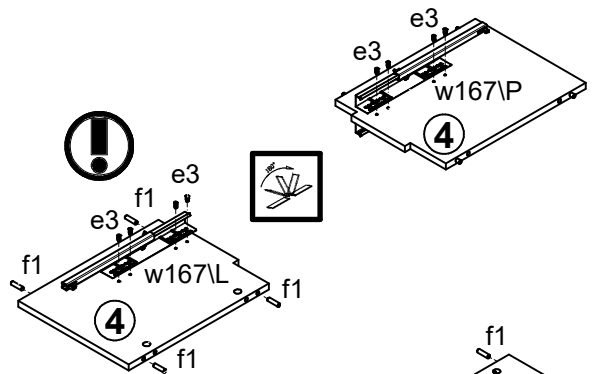
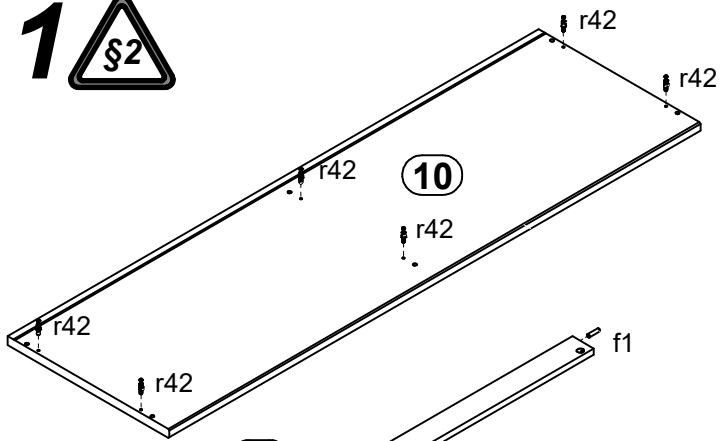


A	B	C	D	A	B	C	D		
1	S404-0014	446	180	3/3	14	S404-4007	1351	100	2/3
2	S404-0015	446	180	3/3	15	S404-5005	1350	70	2/3
3	S404-0016	446	180	3/3	16	S404-5006	1350	70	2/3
4	S404-1017	310	408	1/3	17	S404-5011	560	70	1/3
5	S404-1018	560	428	1/3	18	S404-5012	560	70	1/3
6	S404-1019	560	428	1/3	19	S404-9001	413	355	2/3
7	S404-1020	310	408	1/3	20	S404-9002	404	355	2/3
8	S404-1021	310	408	1/3	21	S404-9305	487	1469	2/3
9	S404-1022	153	400	1/3	22	ZQ2-1563	403	107	1/3
10	S404-2005	1491	454	2/3	23	ZQ2-1564	394	107	1/3
11	S404-3008	1459	428	2/3	24	ZQ3-507	350	120	1/3
12	S404-3009	1459	408	2/3	25	ZQ3-508	350	120	1/3
13	S404-4006	1351	60	2/3					

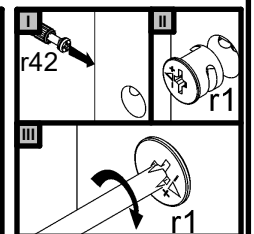
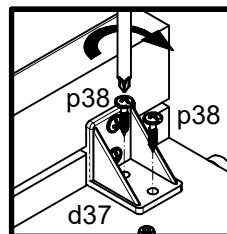
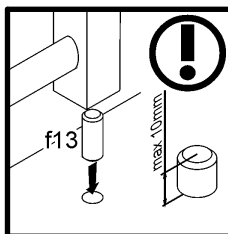
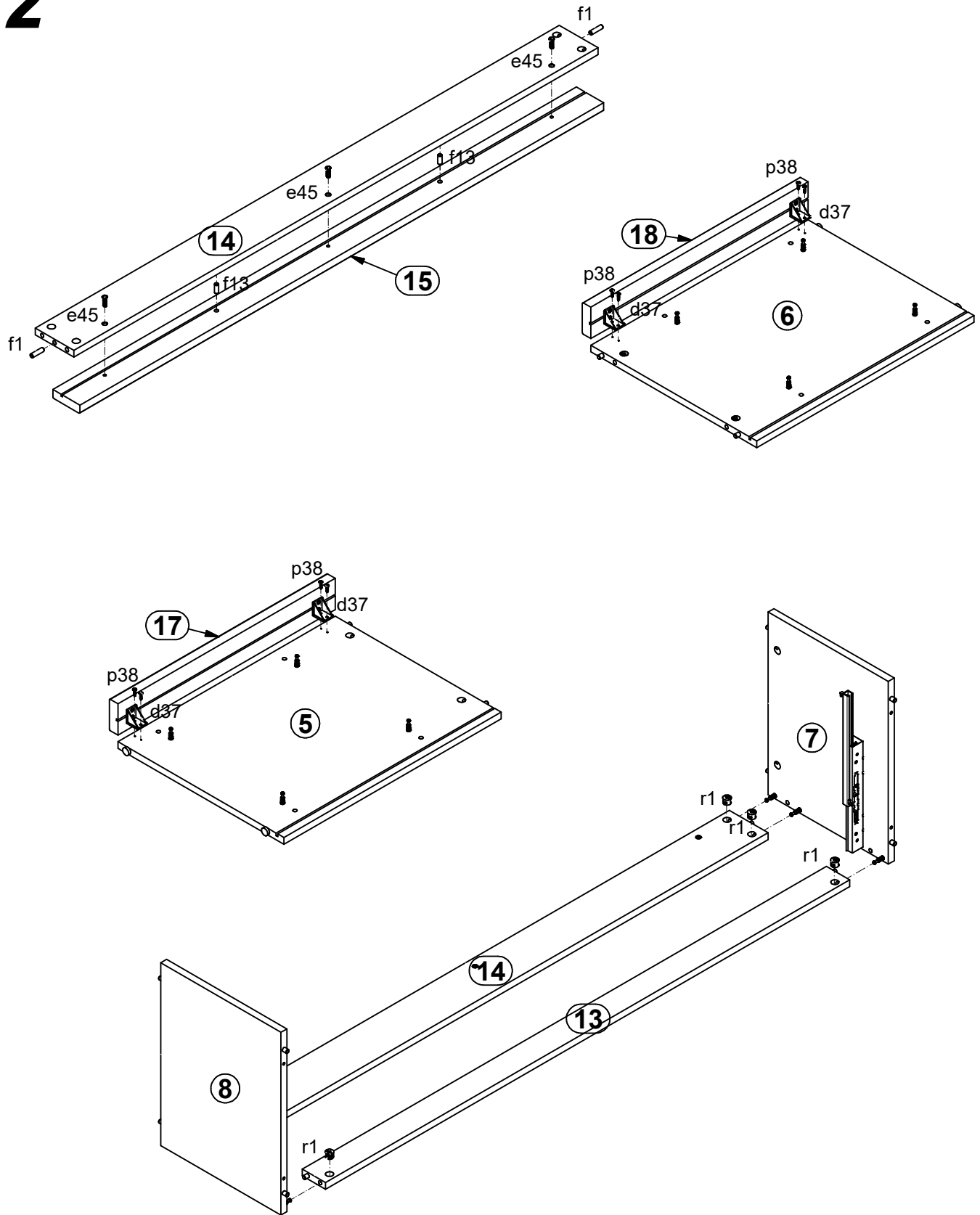


1x 	7x 	8x 	2x 	24x 	3x 	36x 	6x 	2x
12x 	4x 	2x 	2x 	20x 	14x 	47x 	6x 	30x
12x 	42x 	12x 	3x 	3x 	1x 	1x 	1x 	

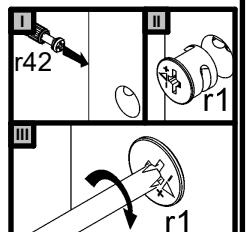
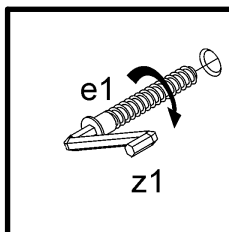
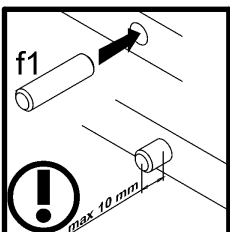
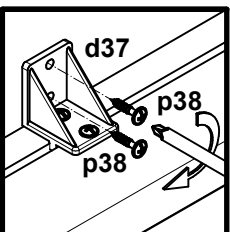
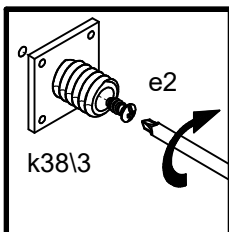
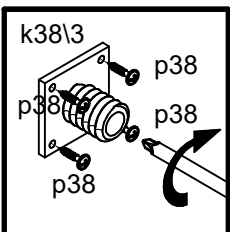
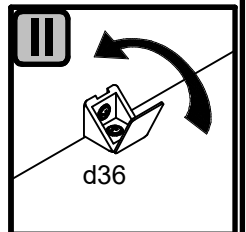
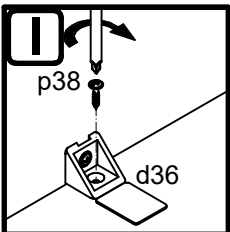
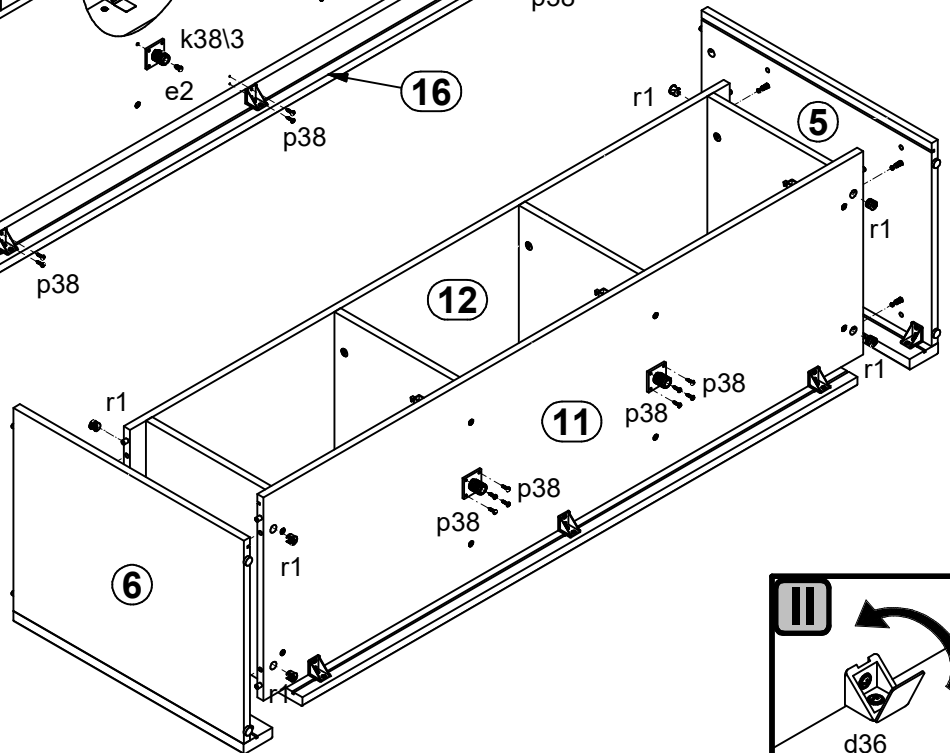
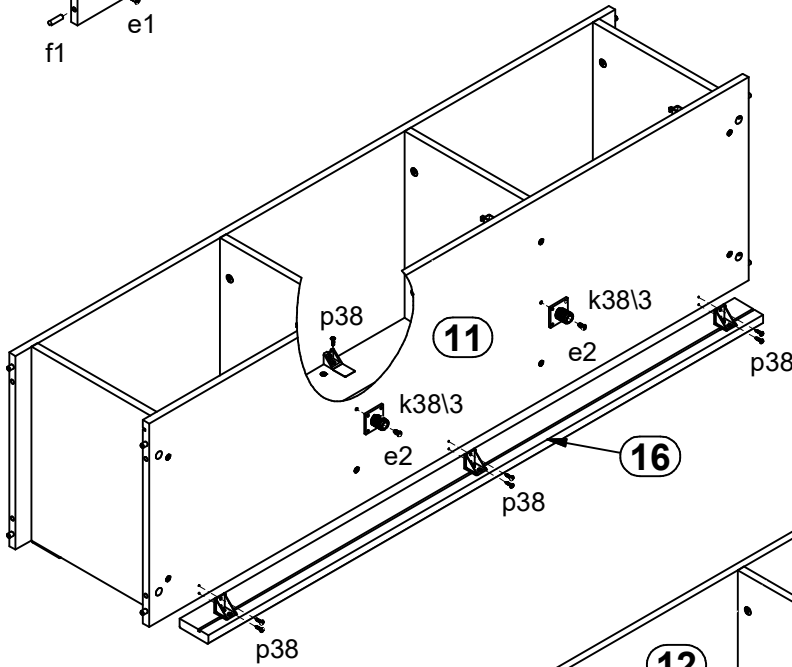
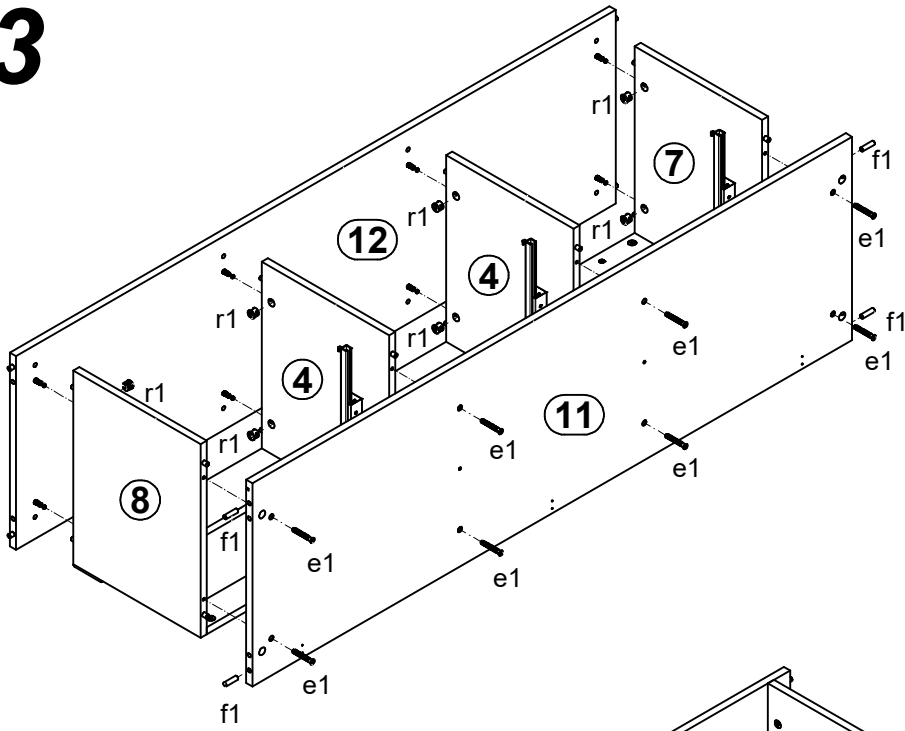
1 



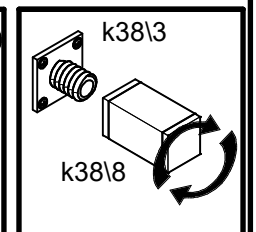
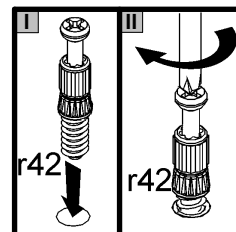
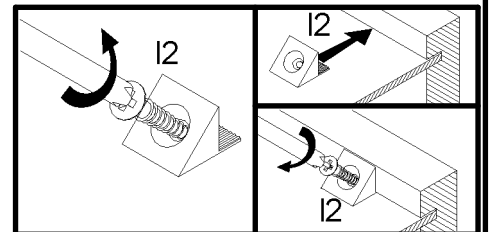
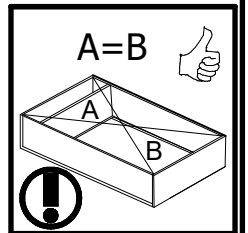
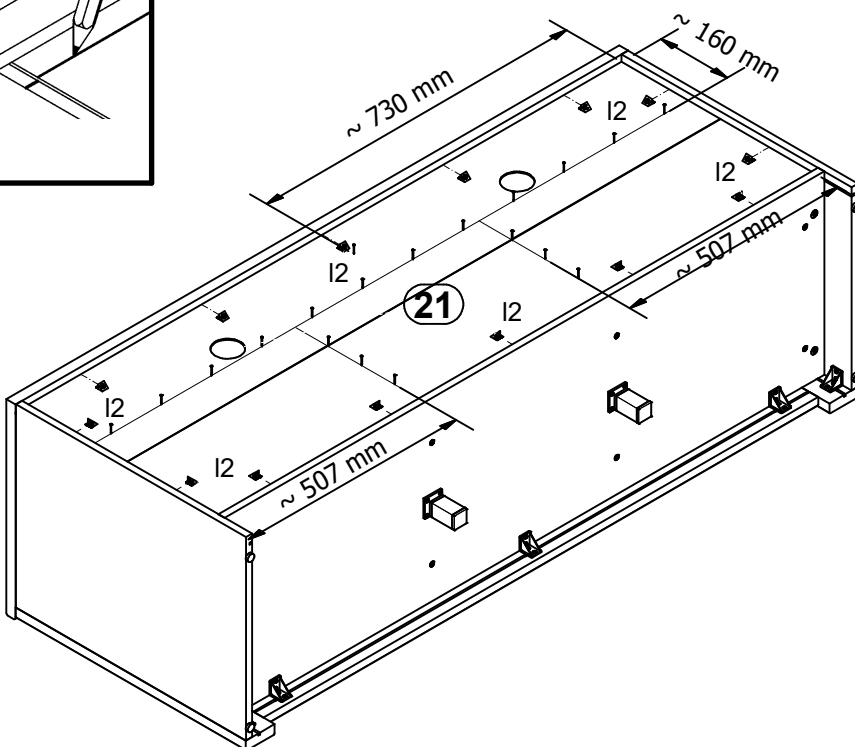
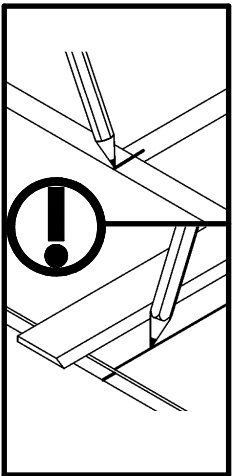
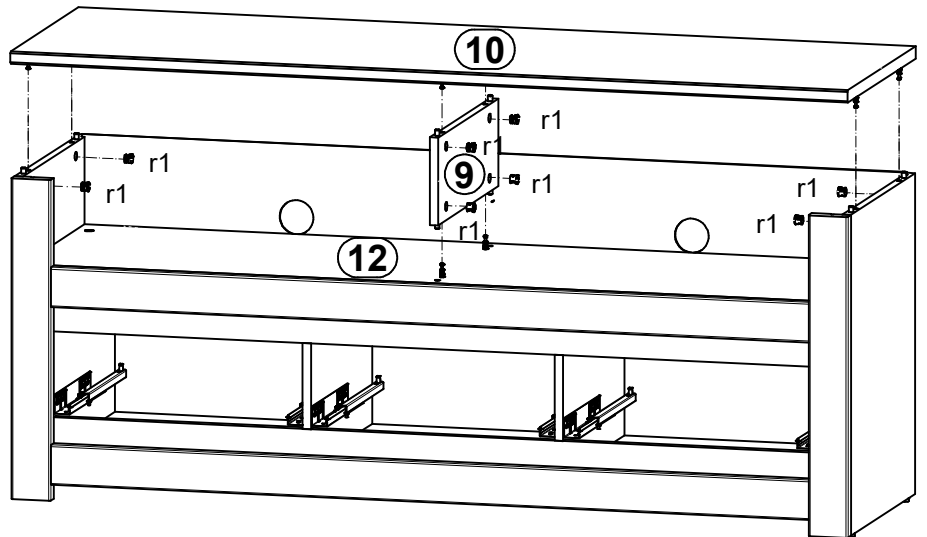
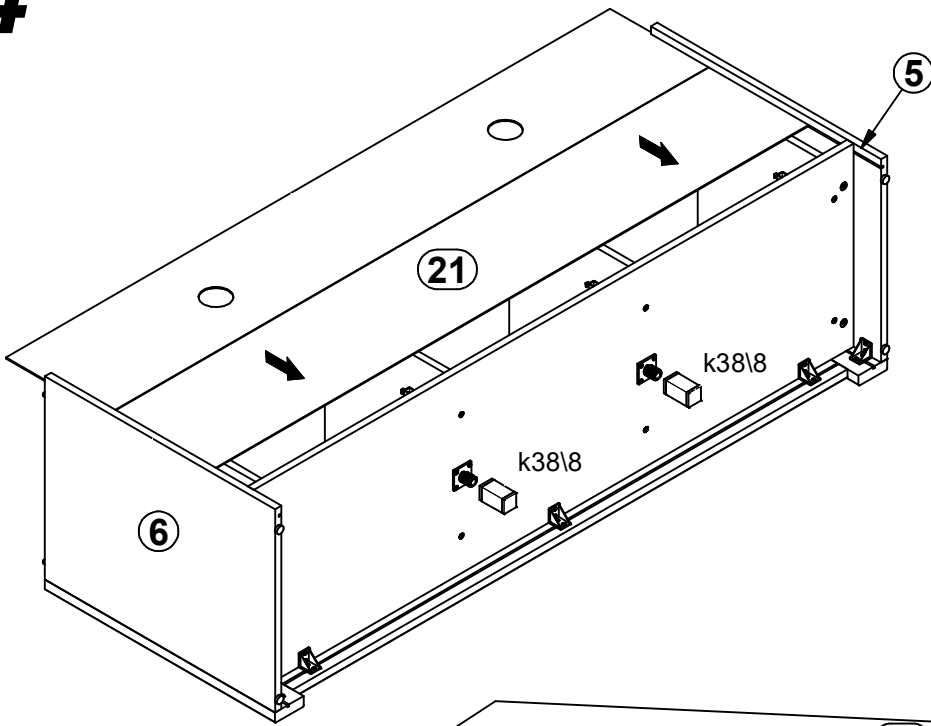
2



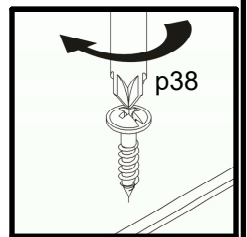
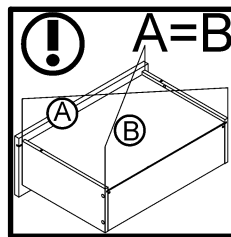
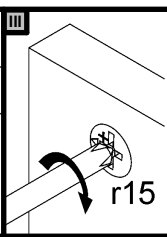
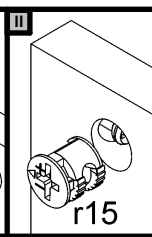
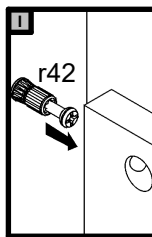
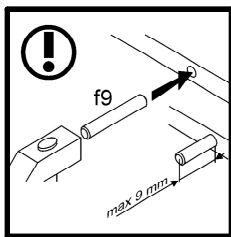
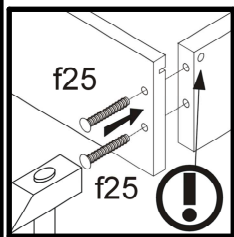
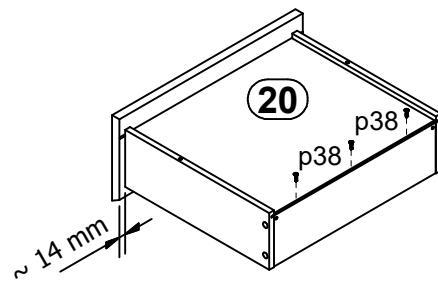
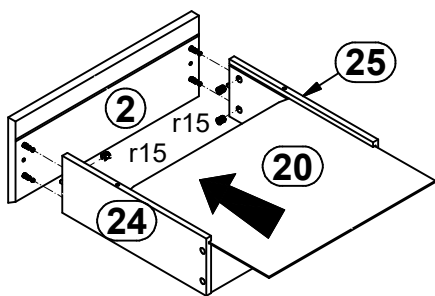
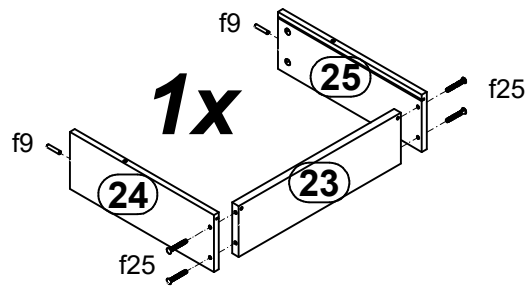
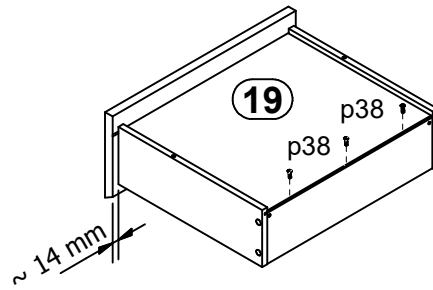
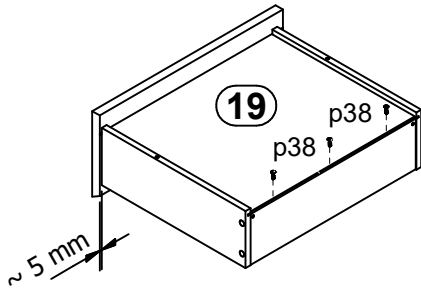
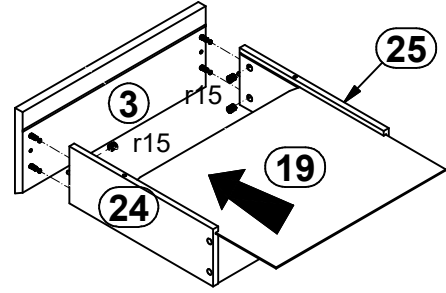
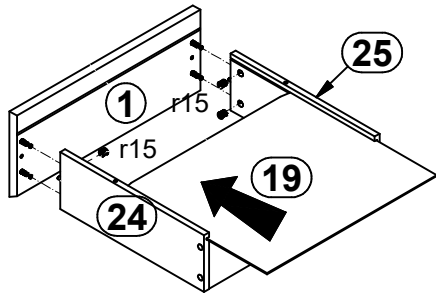
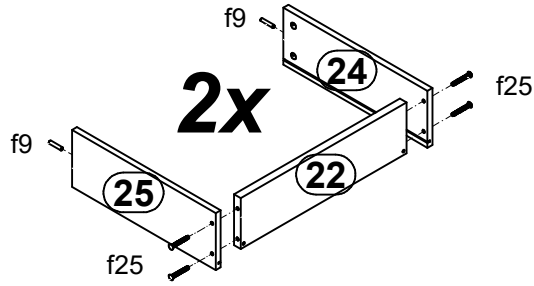
3



4



5



6

