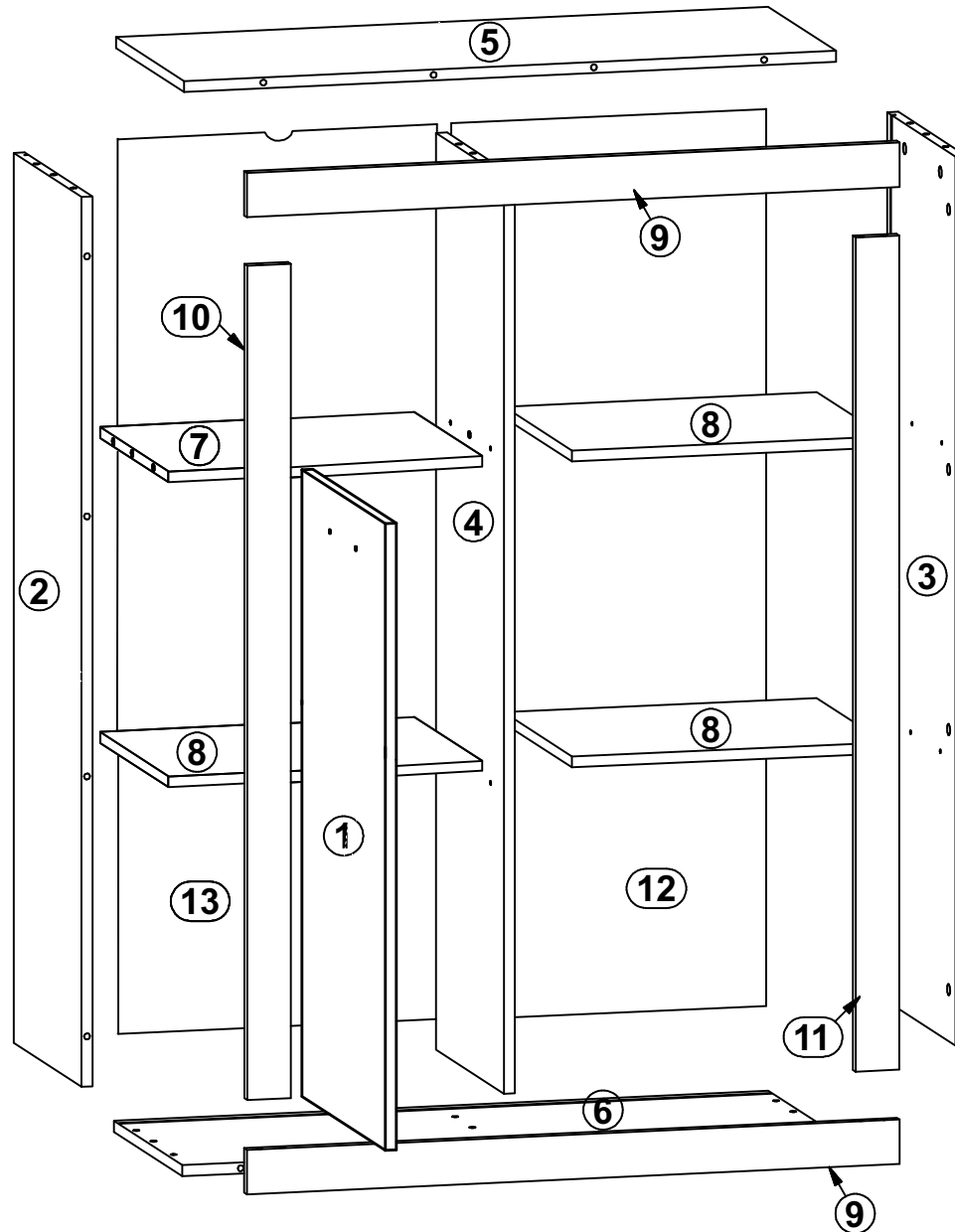
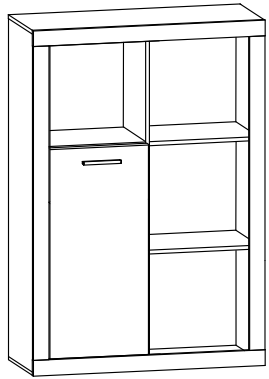
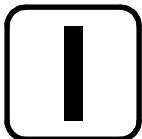


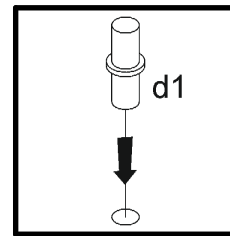
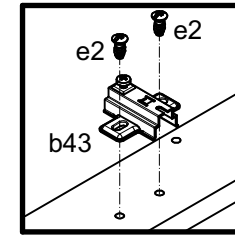
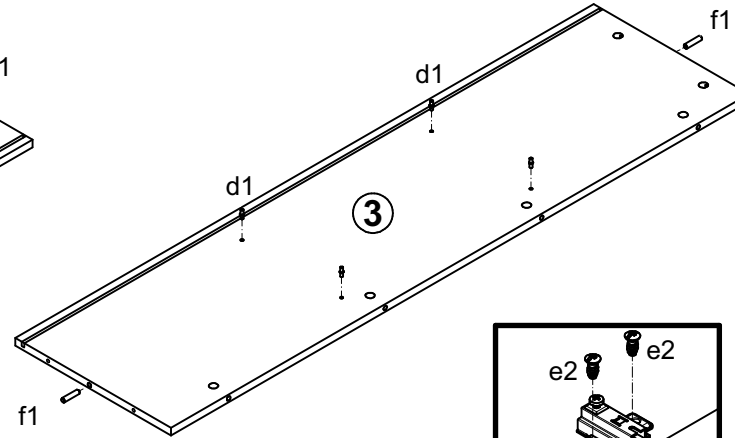
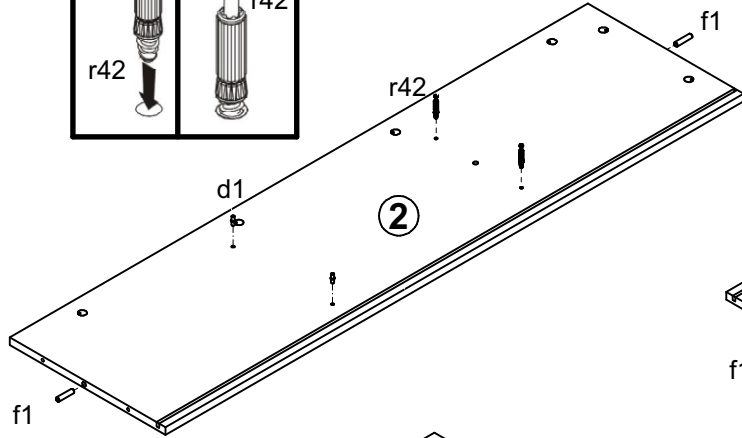
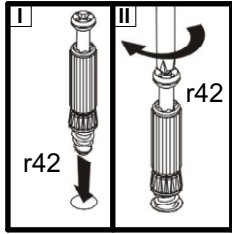
												2x o43/1		1x o43/6	
8x	2x	2x D5	8x	5x L=96/128 mm	16x 5x17 mm	8x 5x17 mm	28x 7x50 mm	22x 6,3x13 mm	4x 6,3x13 mm	4x 5x11 mm	32x 8x30 mm	20x 8x50 mm			
6x 10x50 mm	2x	11x 48,10 mm	12x	52x	2x L-236	23x 20x13x3,51 mm	2x	2x	6x 3,5x13 mm	8x 4x30 mm	4x 4x30 mm	2x 4x12 mm			
20x 3,5x15 mm	23x 2,9x16 mm	4x 6x60 mm	85x 15x12 mm #16	85x 20/11	4x	26x 16	2x	1x	2x 81x21x15/1,5 mm	2x 5x60 mm	4x 3,5x16 mm				



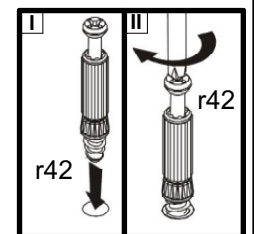
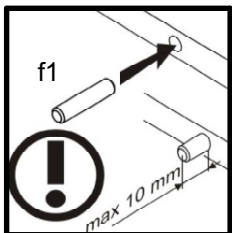
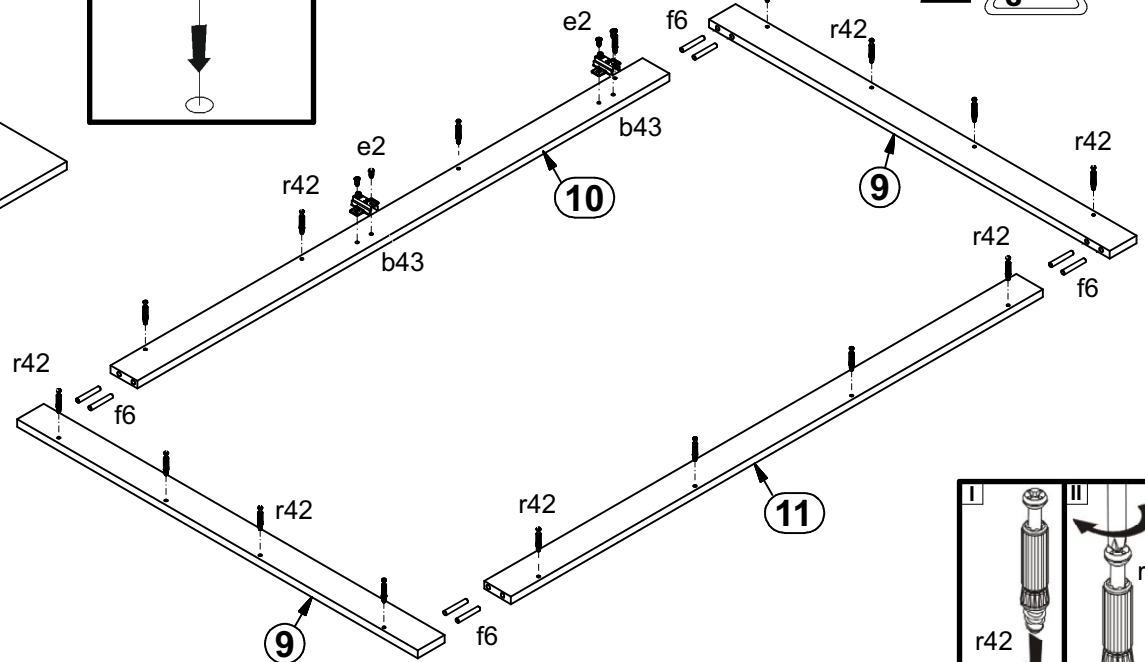
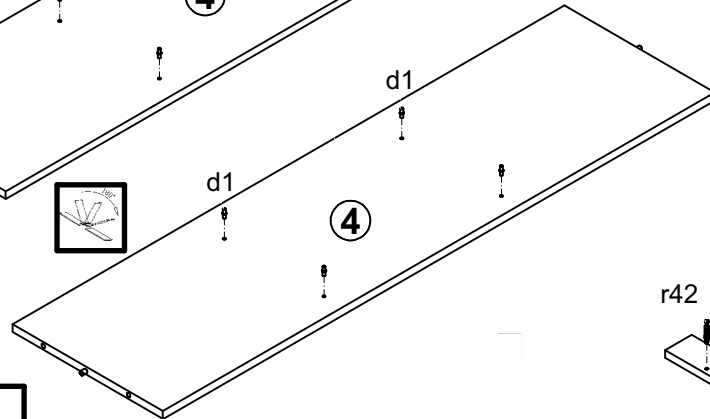
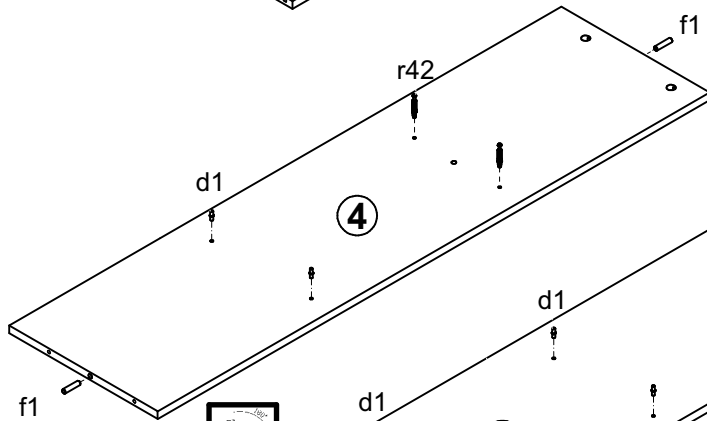
A	B	C (mm)		D
1	N17-003	740	335	3/4
2	N17-105	1160	320	3/4
3	N17-106	1160	320	3/4
4	N17-107	1160	300	3/4
5	N17-203	799	320	3/4
6	N17-204	799	320	3/4
7	N17-303	375	300	3/4
8	N17-304	375	300	3/4
9	N17-504	800	60	3/4
10	N17-505	1073	60	3/4
11	N17-506	1073	60	3/4
12	N17-902	1170	387	3/4
13	N17-903	1170	387	3/4



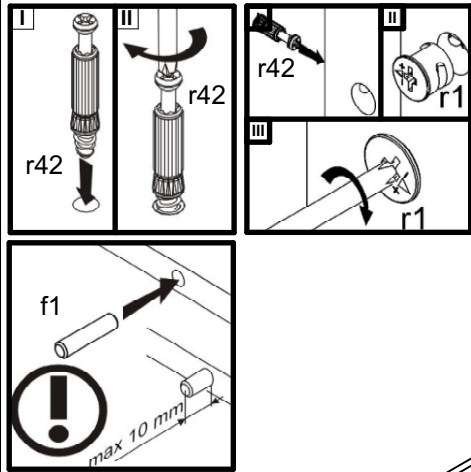
1 



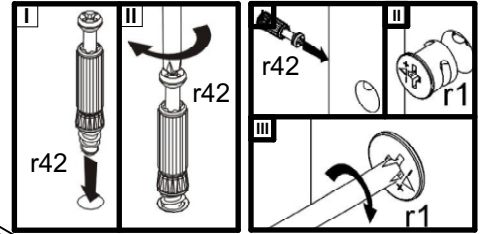
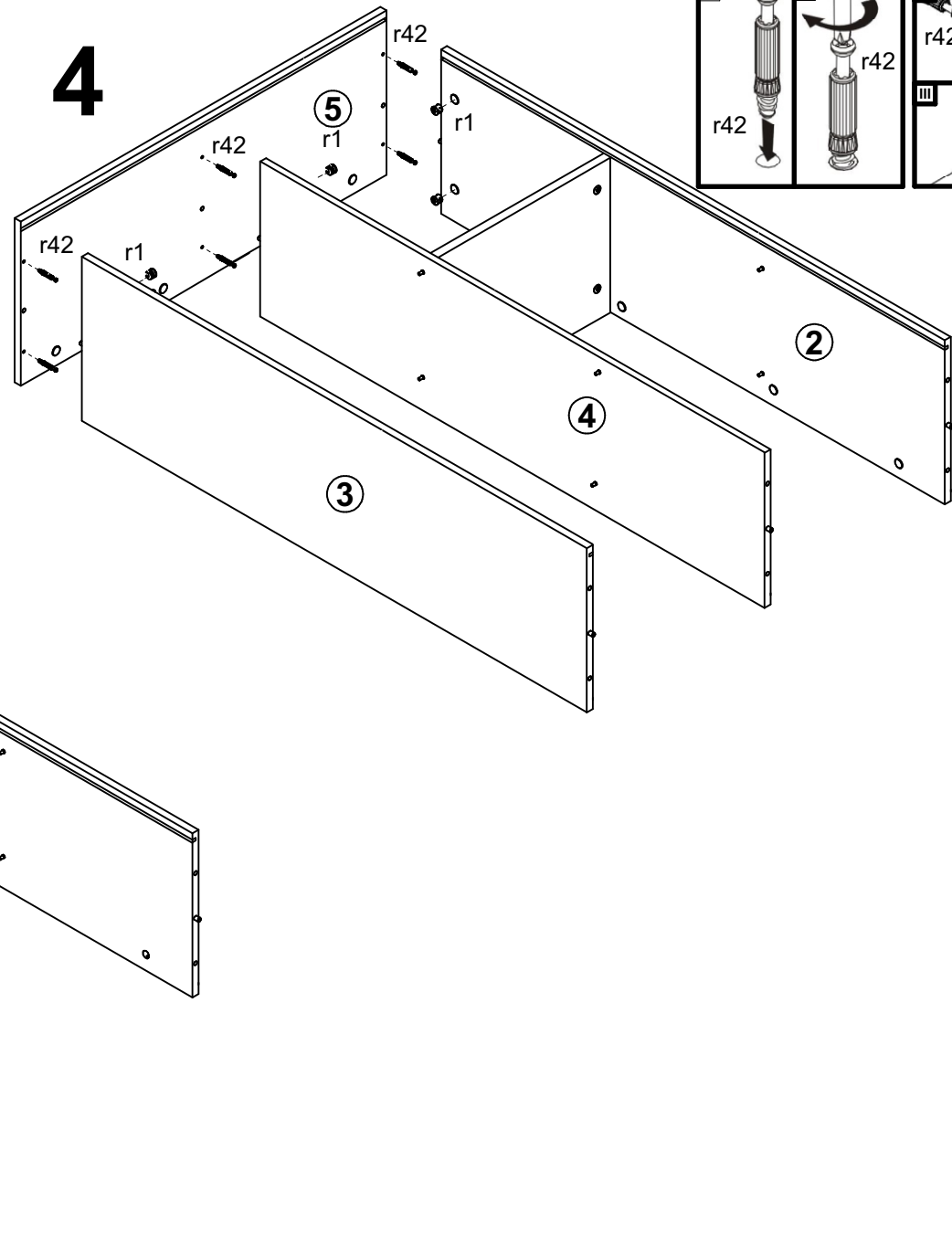
2 



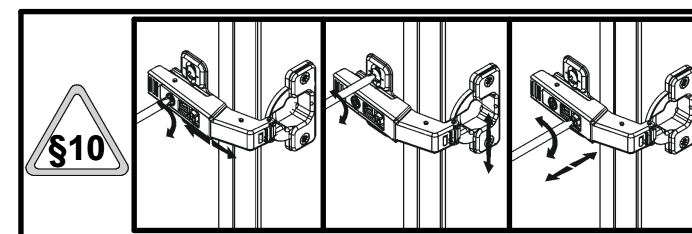
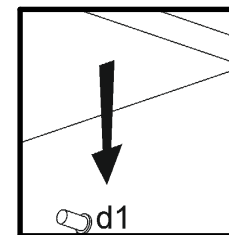
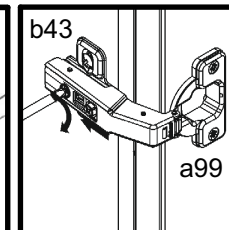
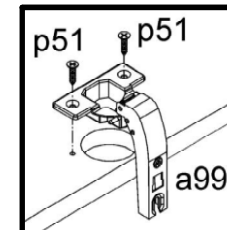
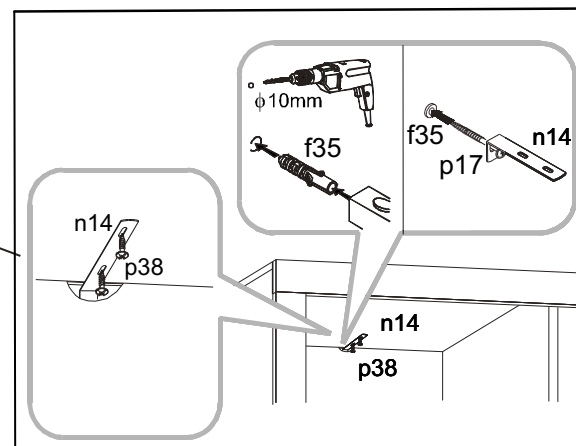
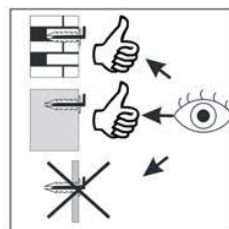
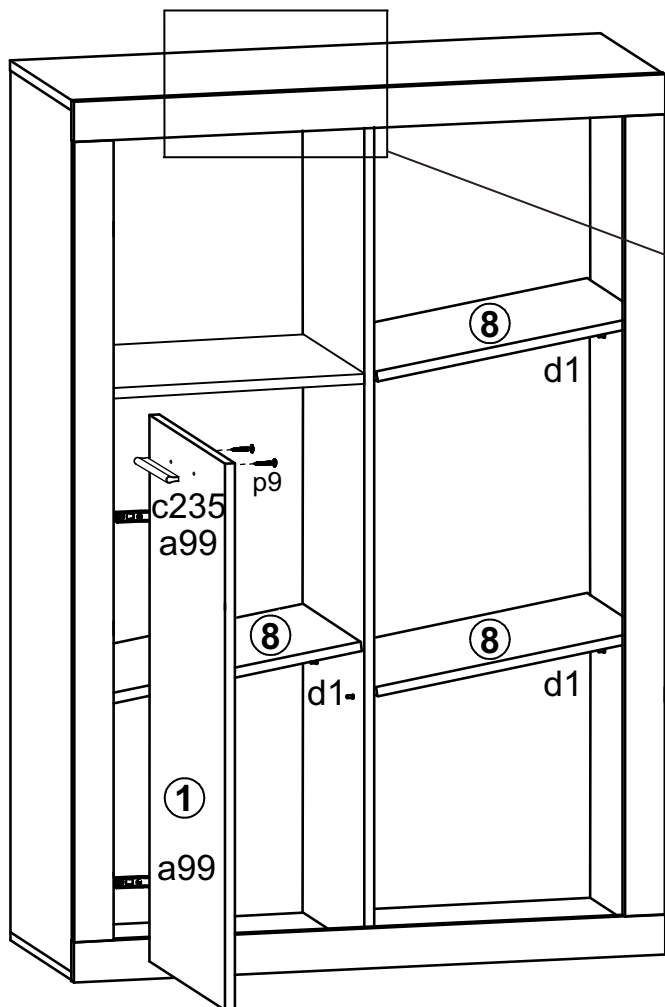
3

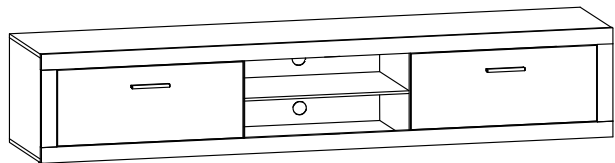


4

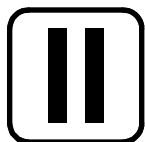
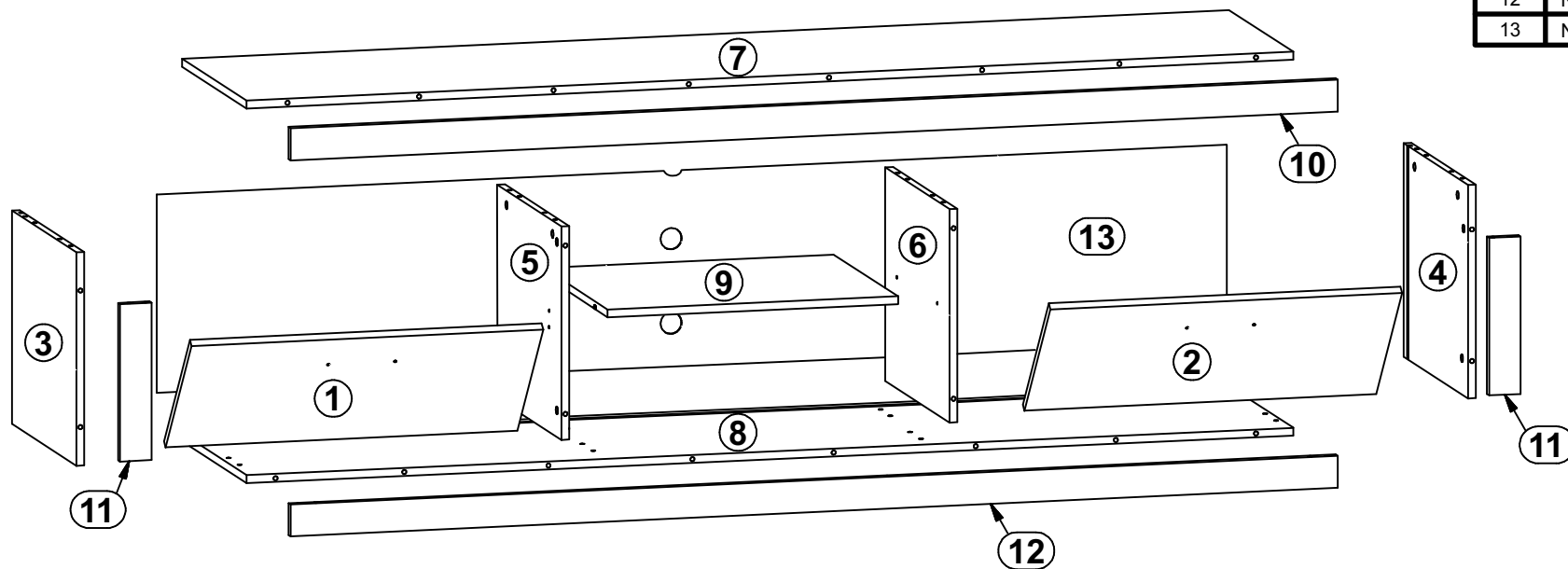


7

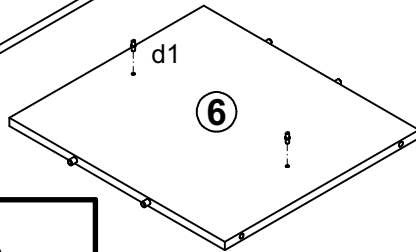
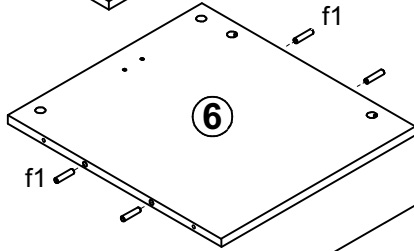
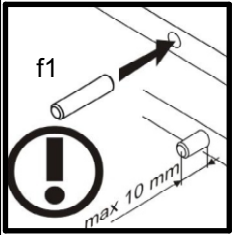
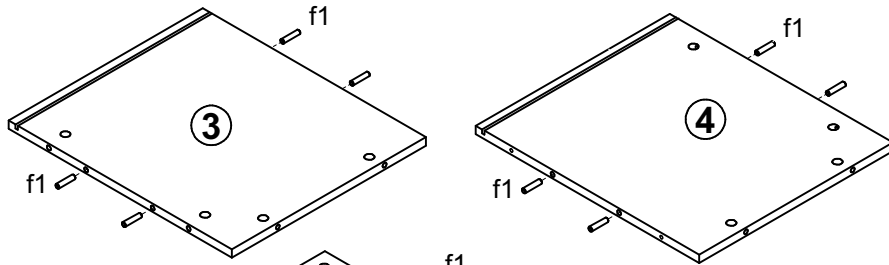




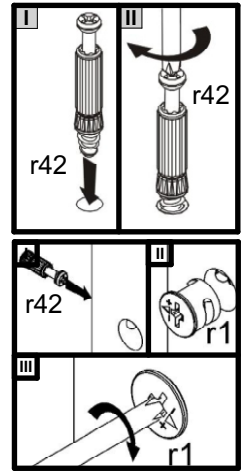
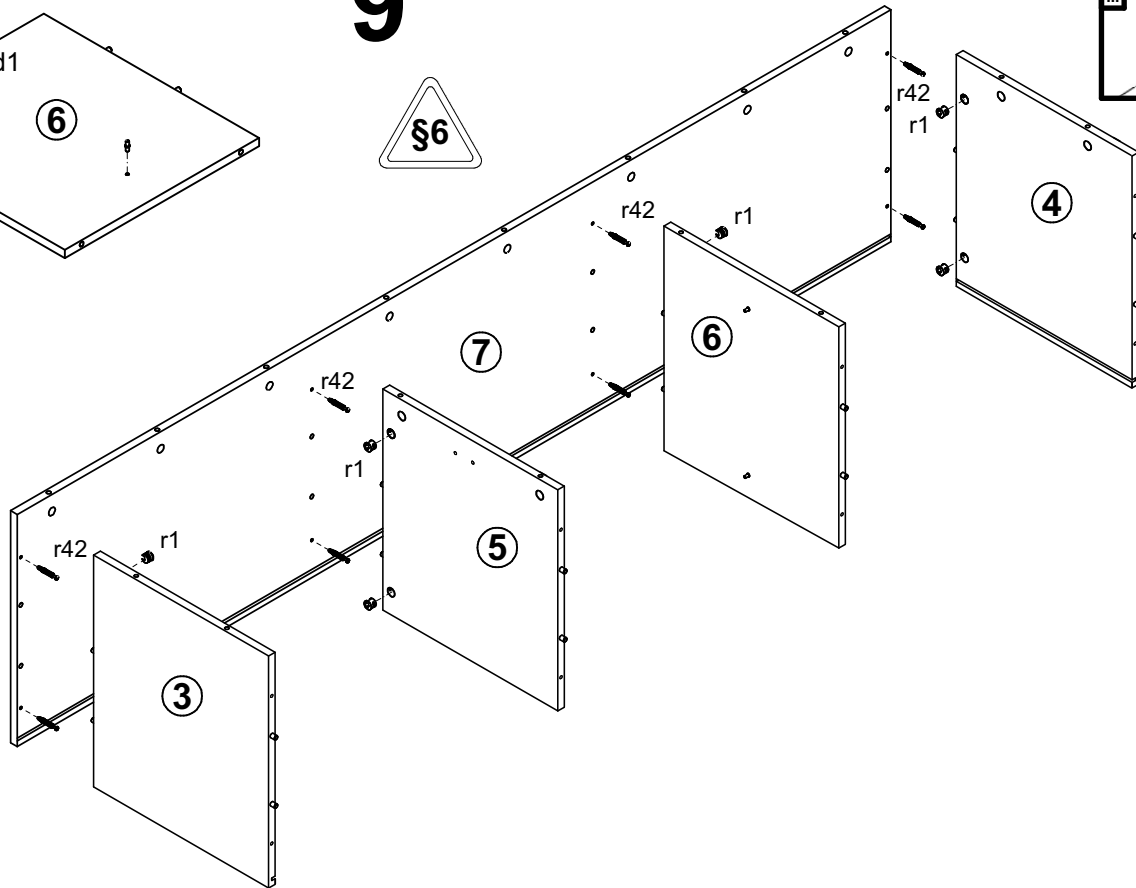
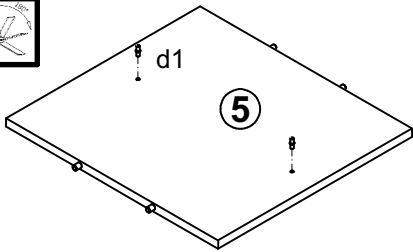
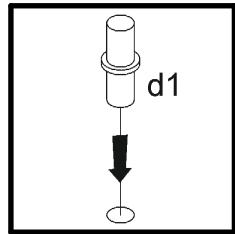
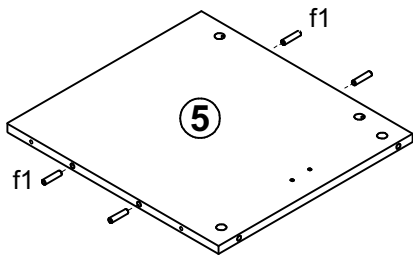
A	B	C (mm)		D
1	N17-001	600	267	1/4
2	N17-002	600	267	1/4
3	N17-101	360	380	2/4
4	N17-102	360	380	2/4
5	N17-103	360	360	2/4
6	N17-104	360	360	2/4
7	N17-201	1899	380	1/4
8	N17-202	1899	380	1/4
9	N17-302	558	360	1/4
10	N17-501	1900	60	1/4
11	N17-502	273	60	1/4
12	N17-503	1900	60	1/4
13	N17-901	1876	370	1/4



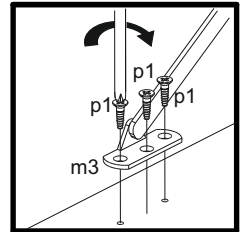
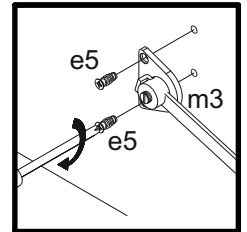
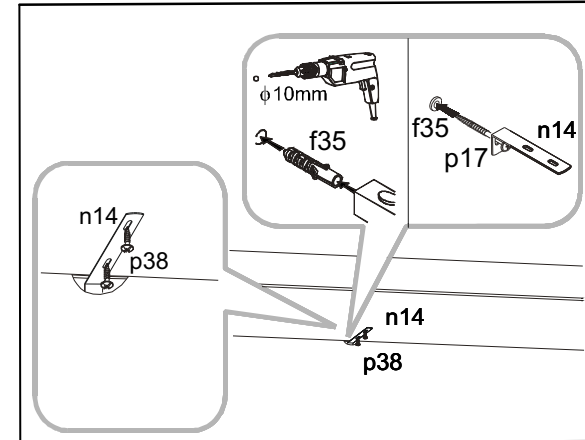
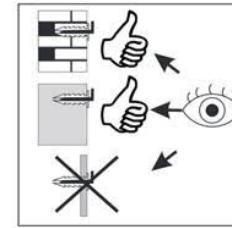
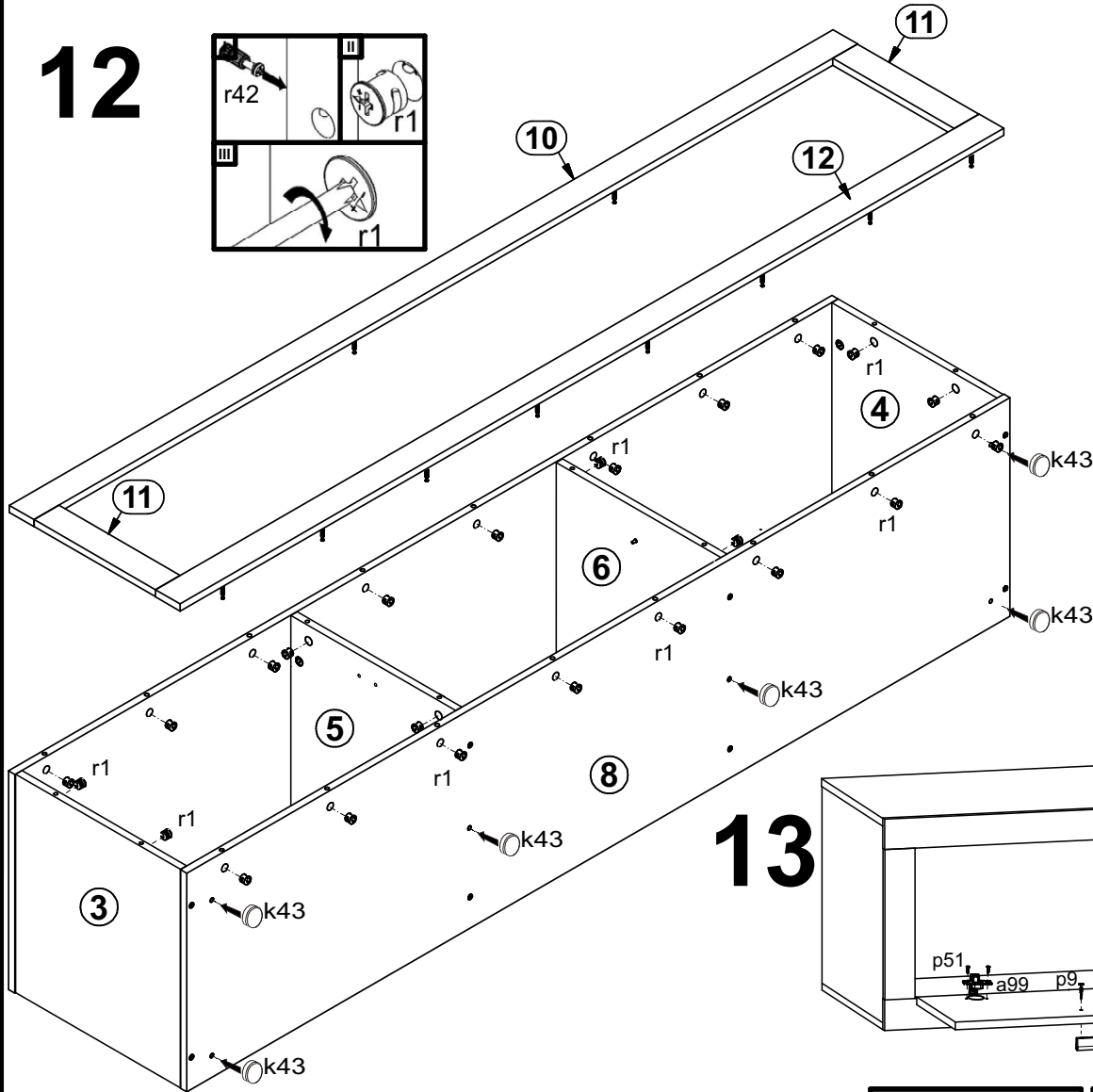
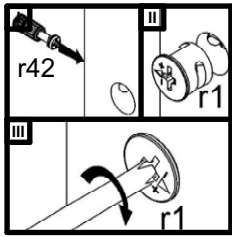
8



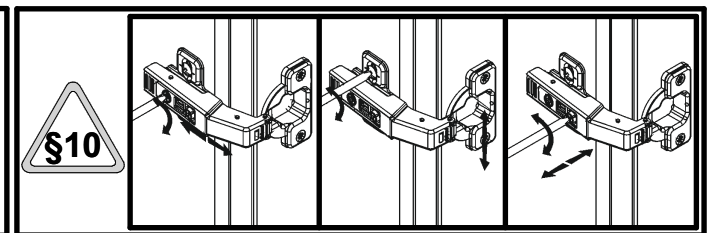
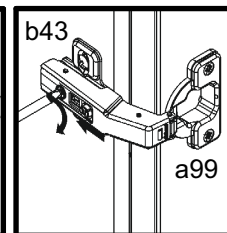
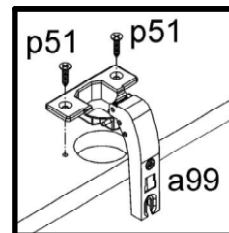
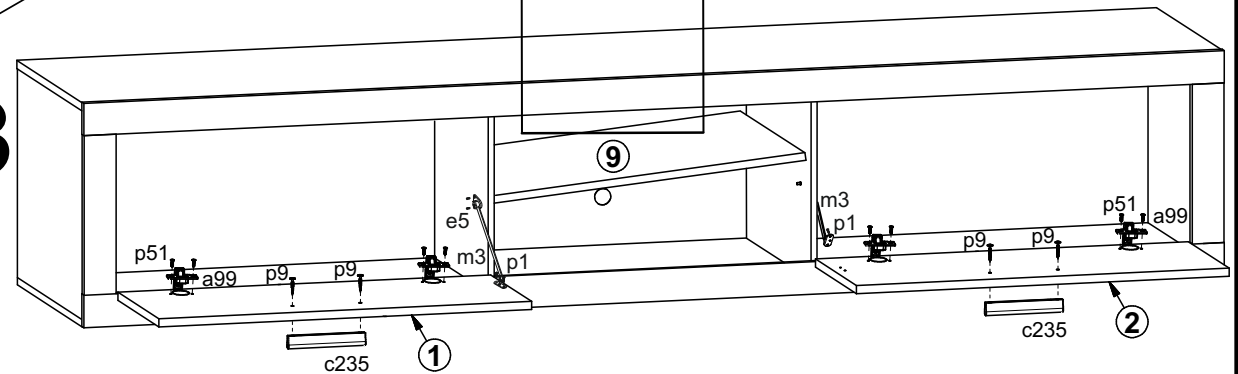
9

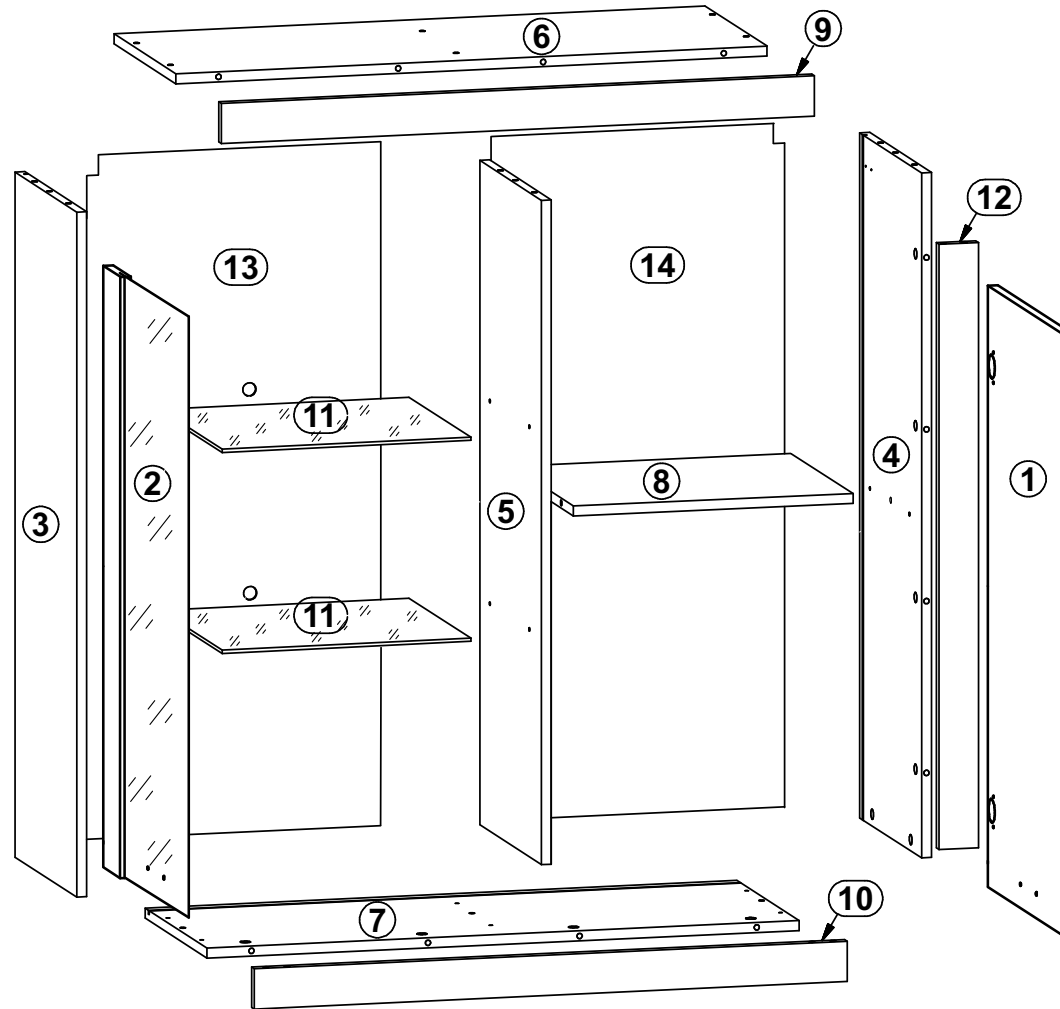


12

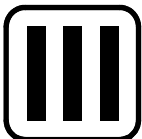


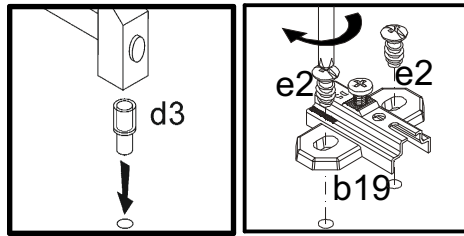
13



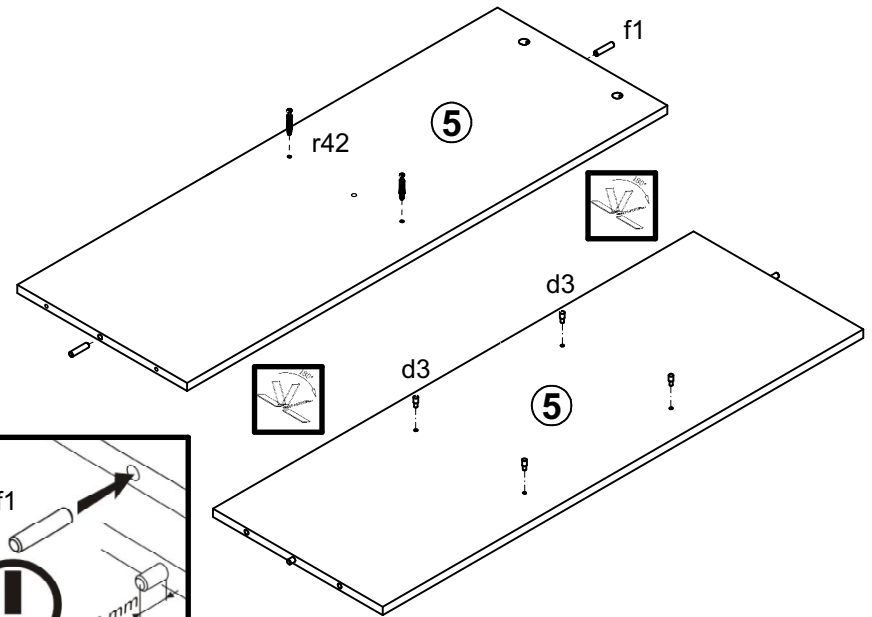
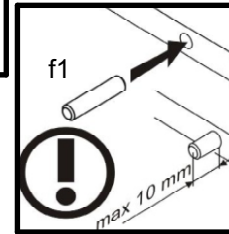
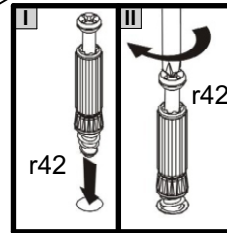
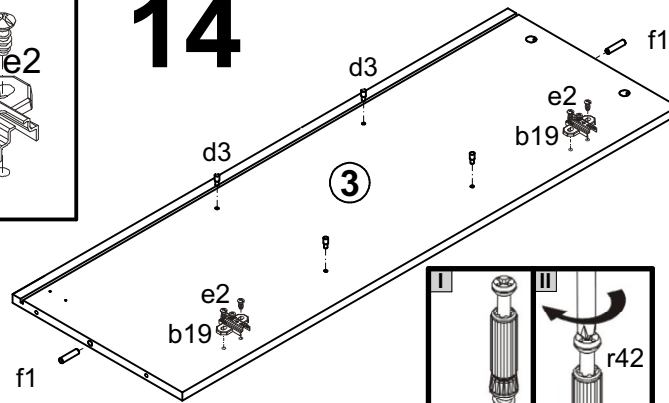


A	B	C (mm)		D
1	N17-004	875	335	4/4
2	N17-005	875	335	4/4
3	N17-108	968	284	4/4
4	N17-109	968	284	4/4
5	N17-110	968	264	4/4
6	N17-205	799	284	4/4
7	N17-206	799	284	4/4
8	N17-307	375	264	4/4
9	N17-511	800	60	4/4
10	N17-512	800	60	4/4
11	N17-514A	374	256	4/4
12	N17-516	881	60	4/4
13	N17-904	978	387	4/4
14	N17-906	978	387	4/4

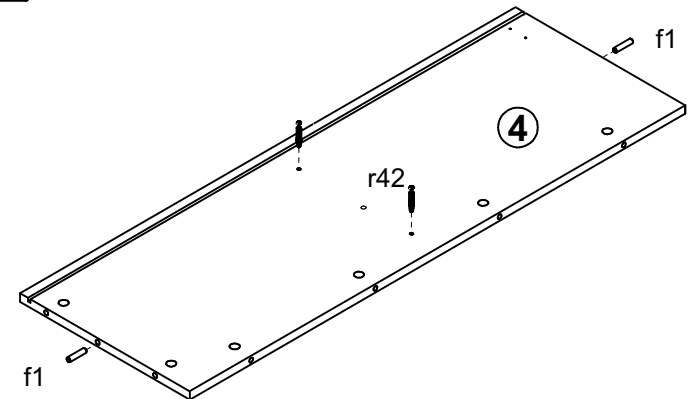
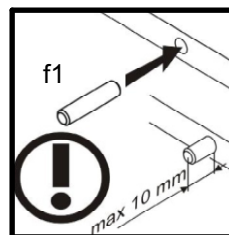
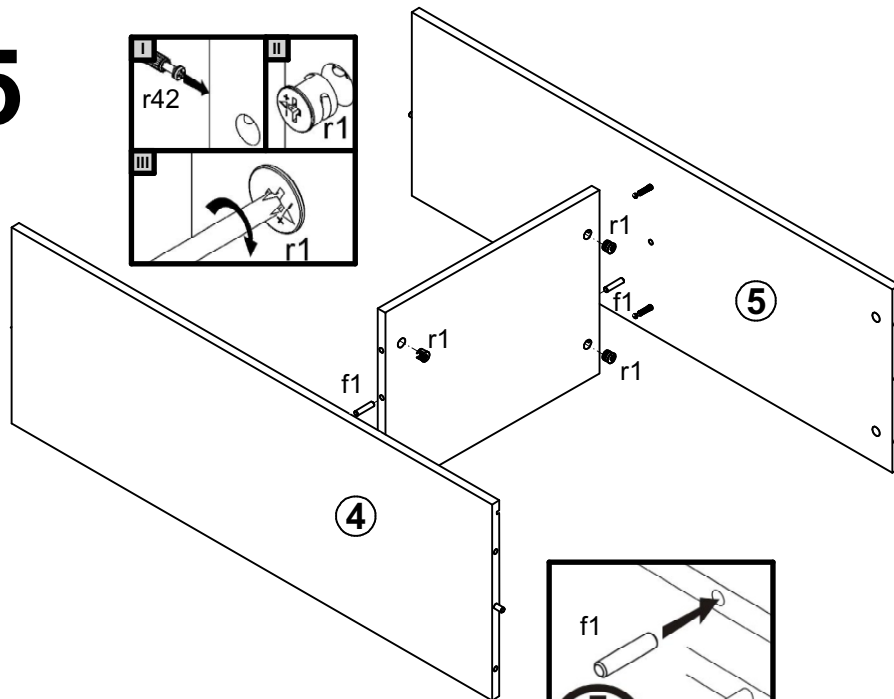
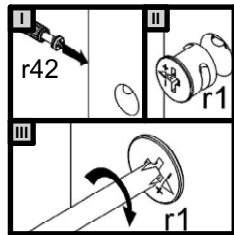




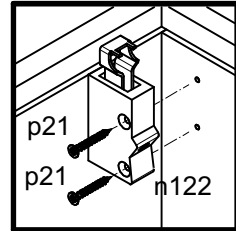
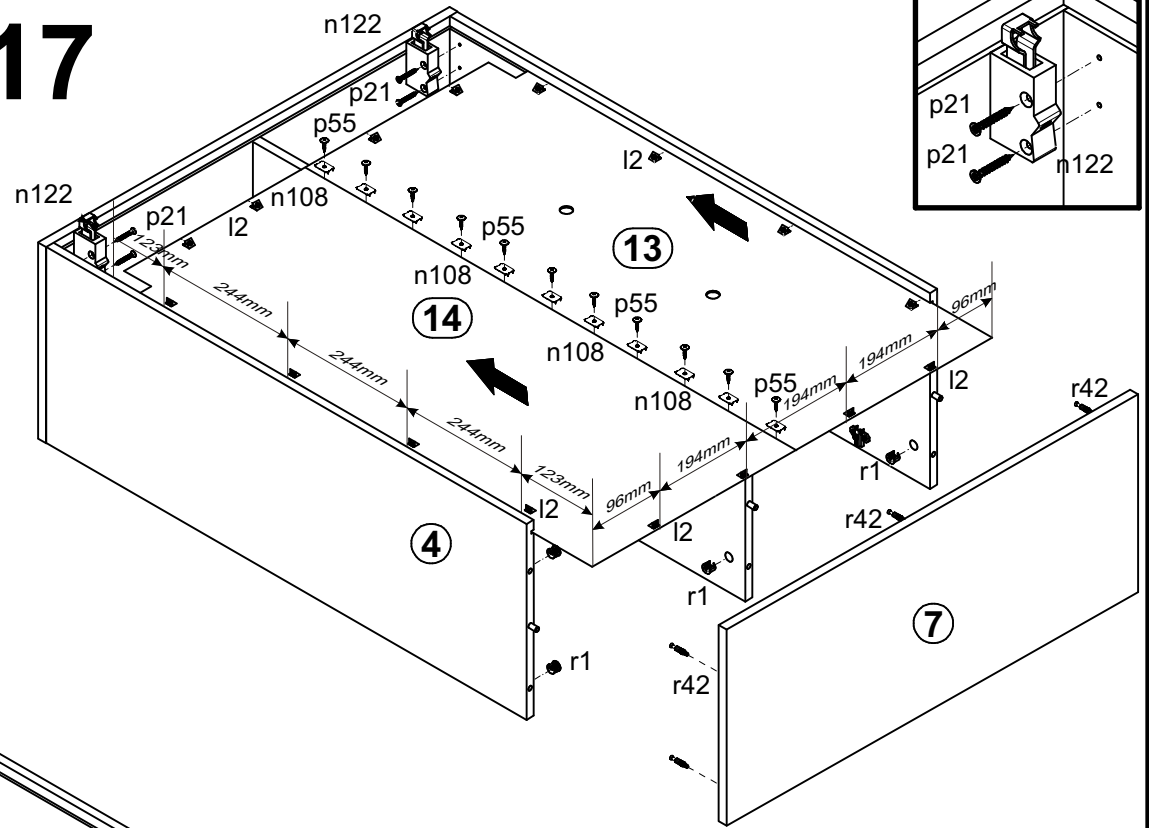
14



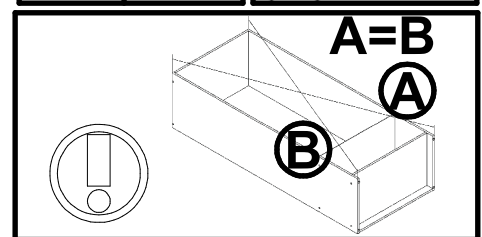
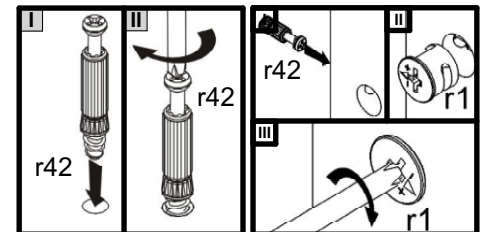
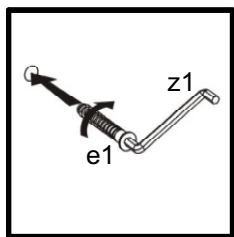
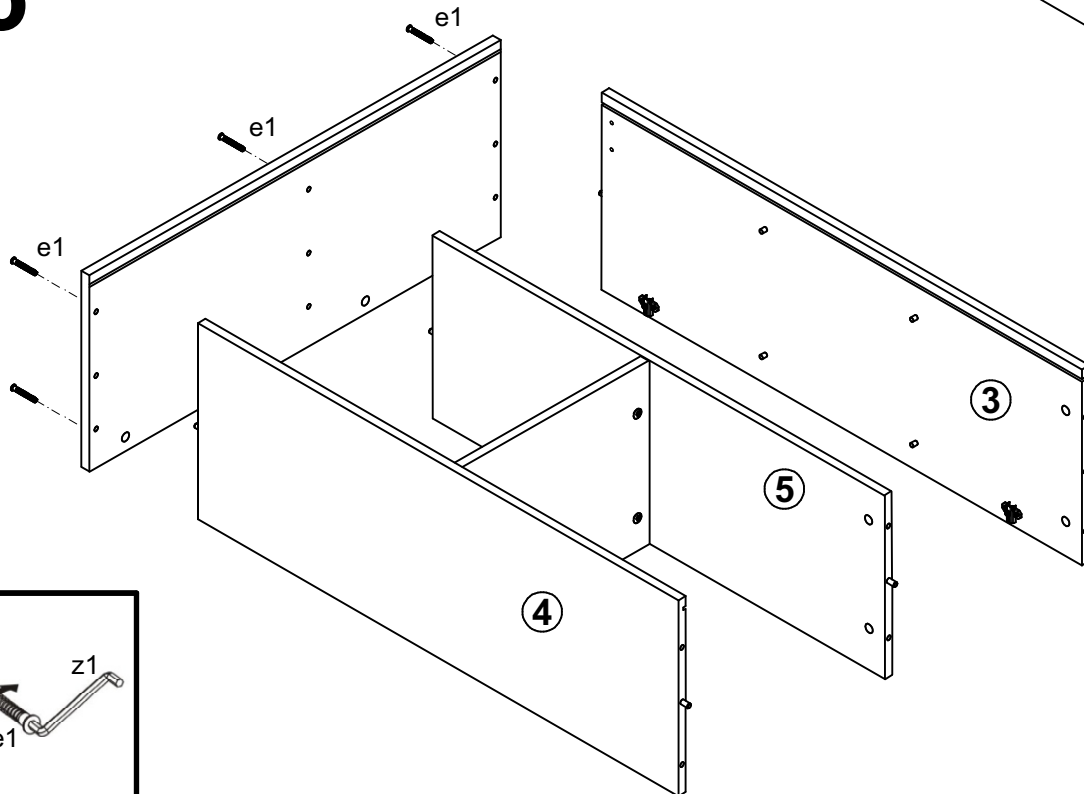
15

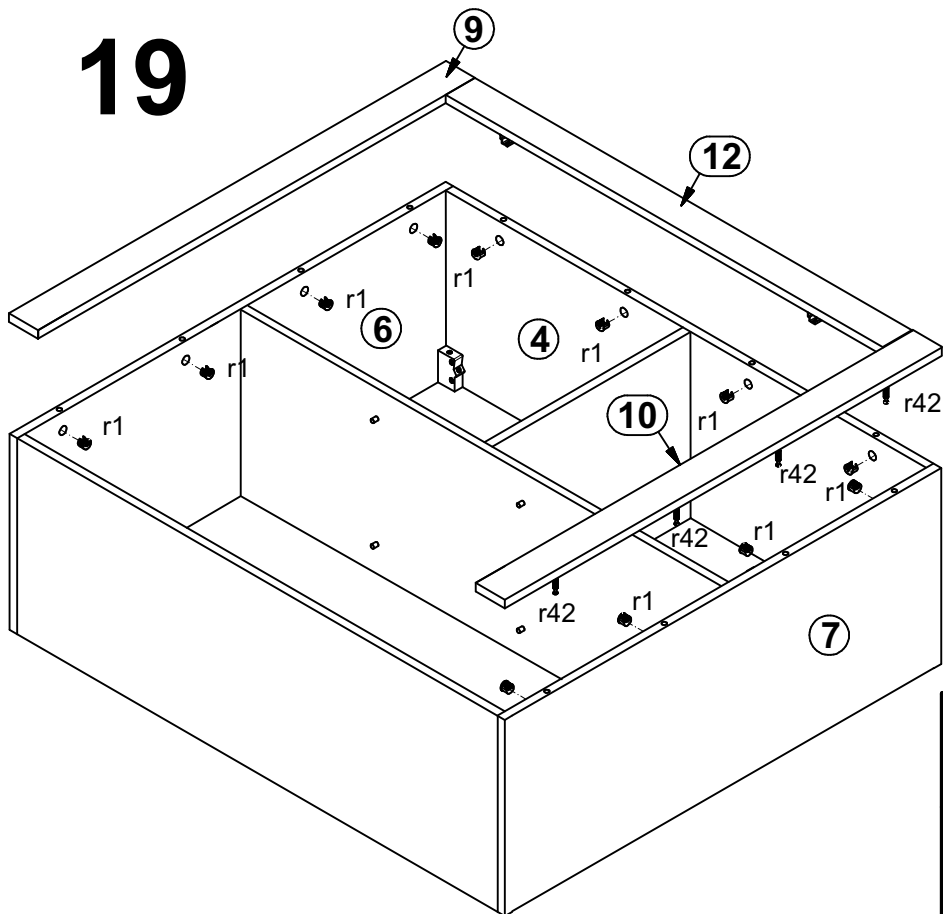
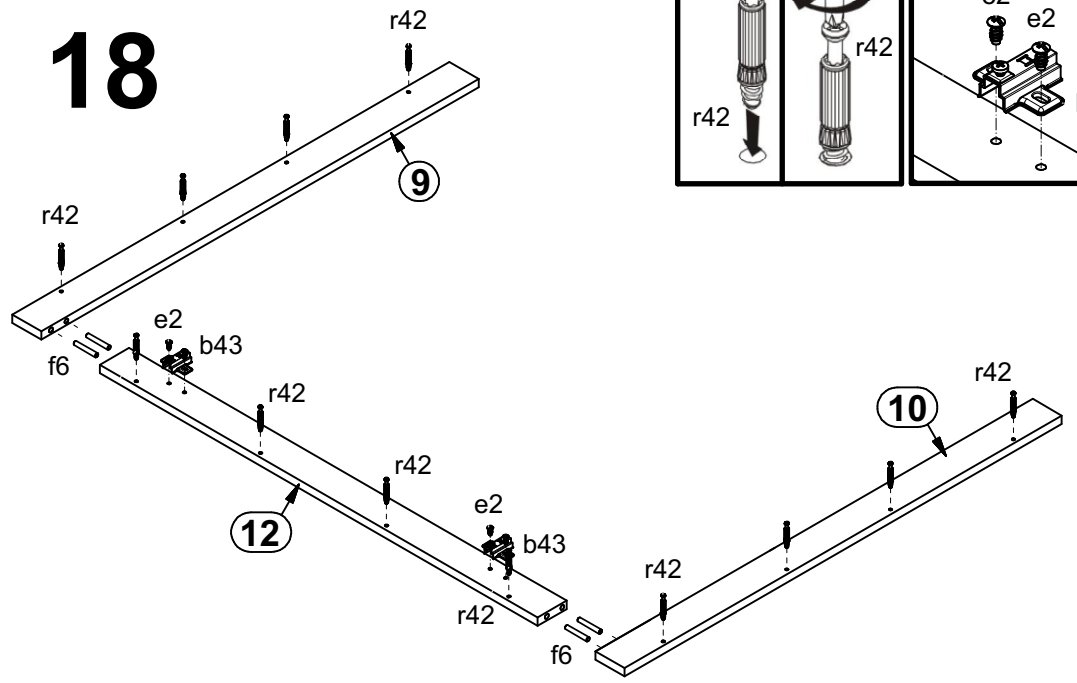
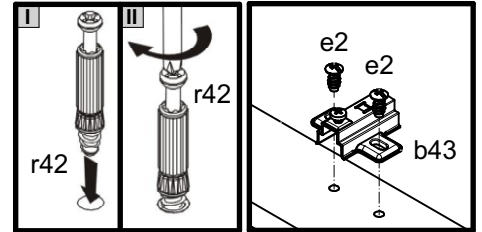


17

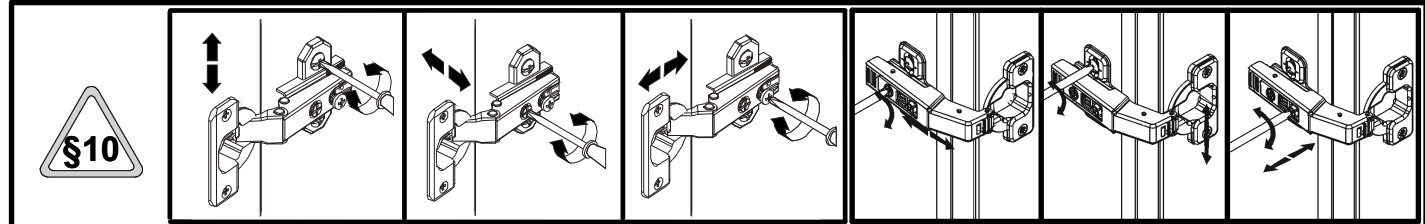
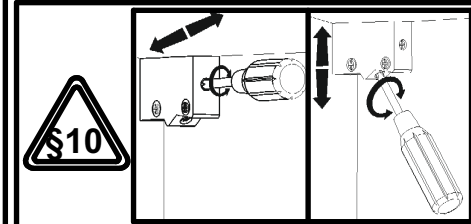
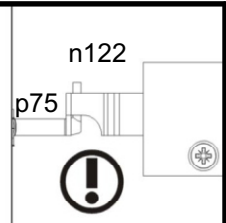
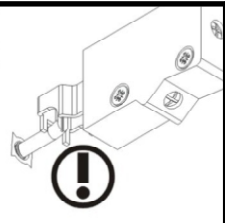
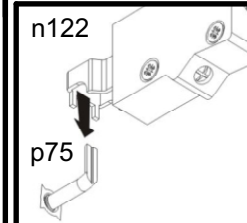
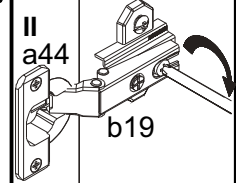
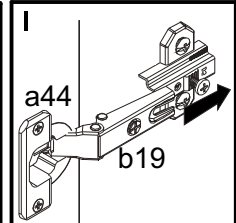
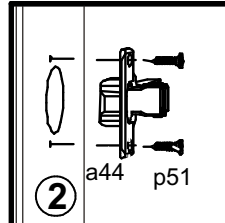
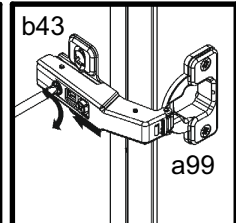
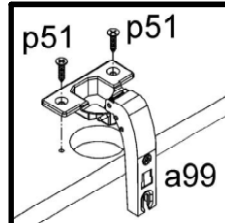
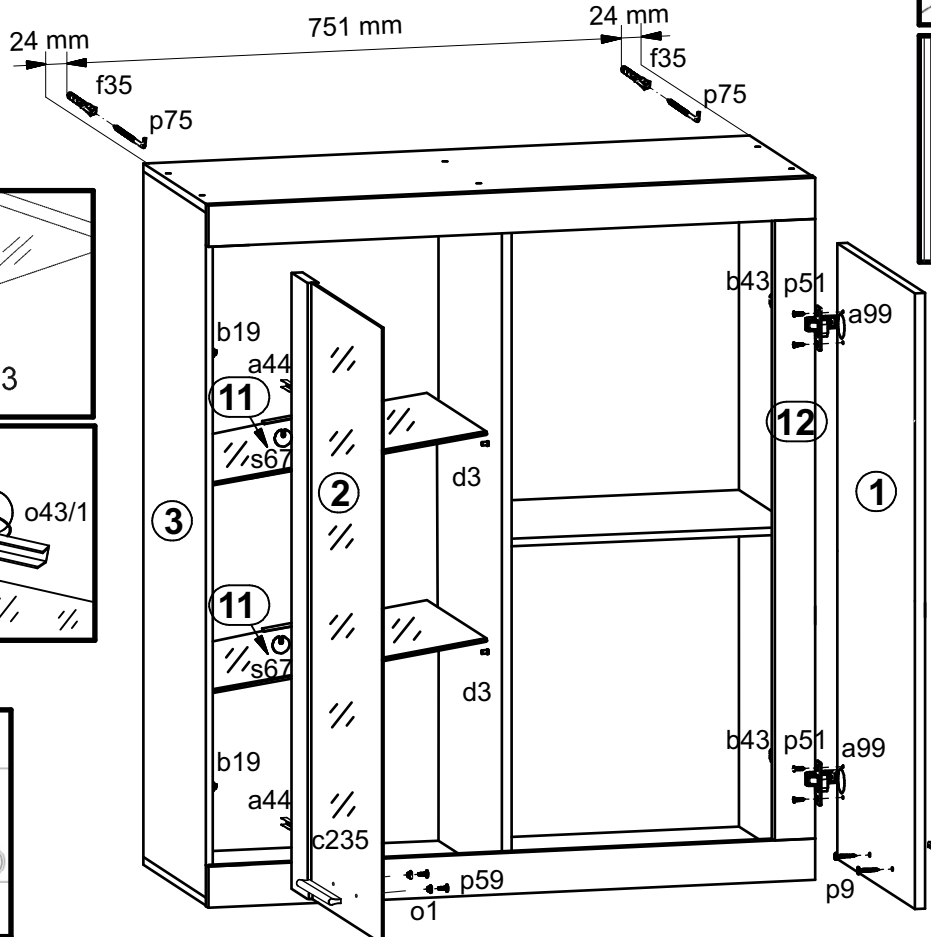
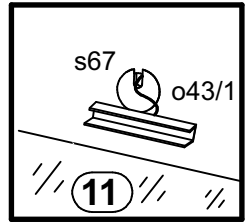
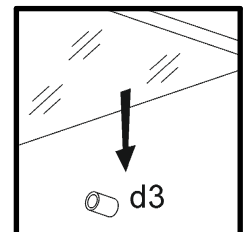
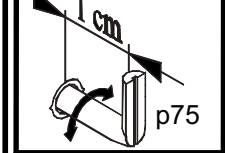
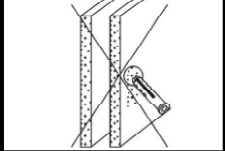
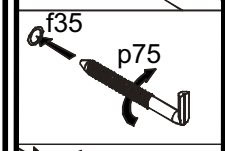
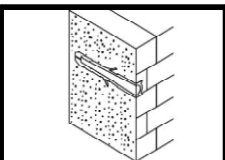
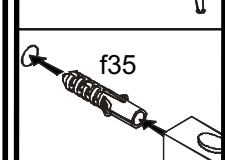
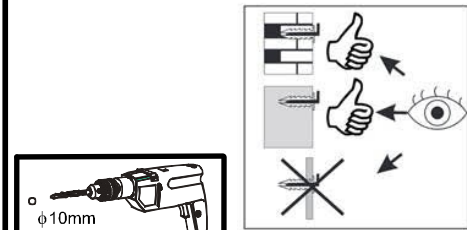


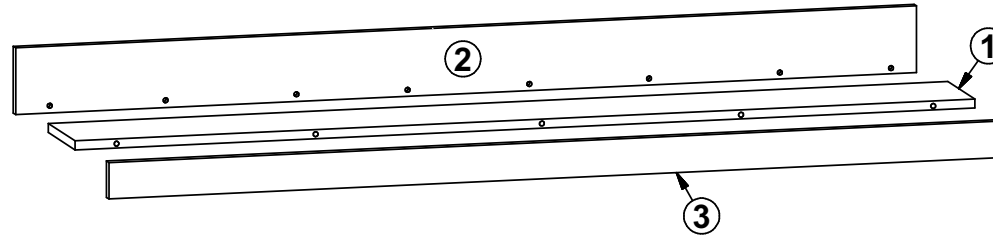
16





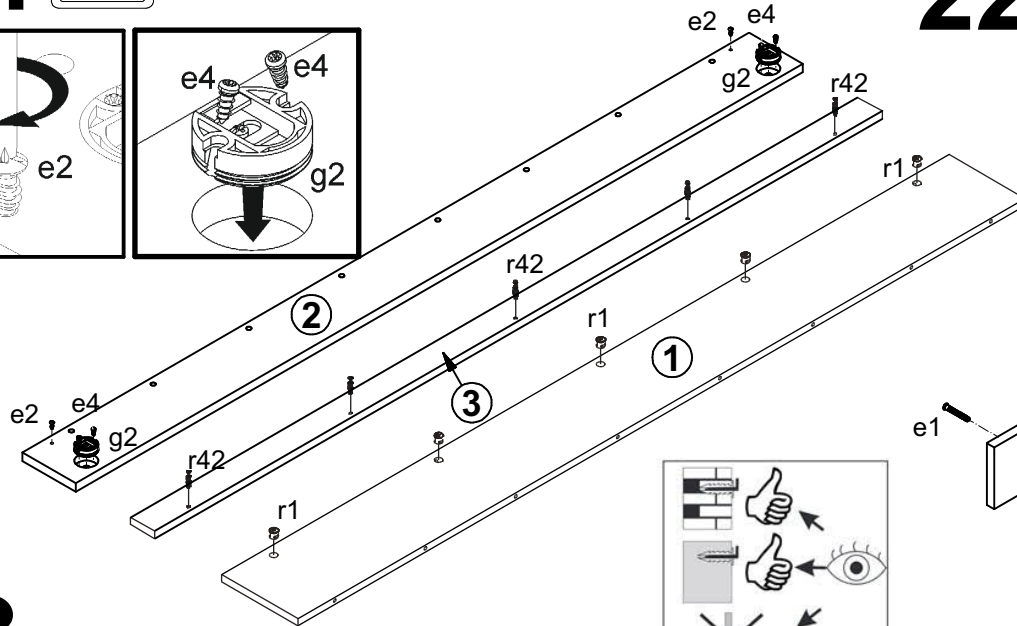
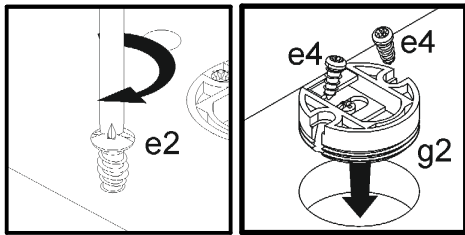
20



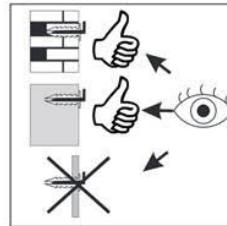
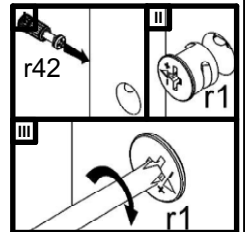
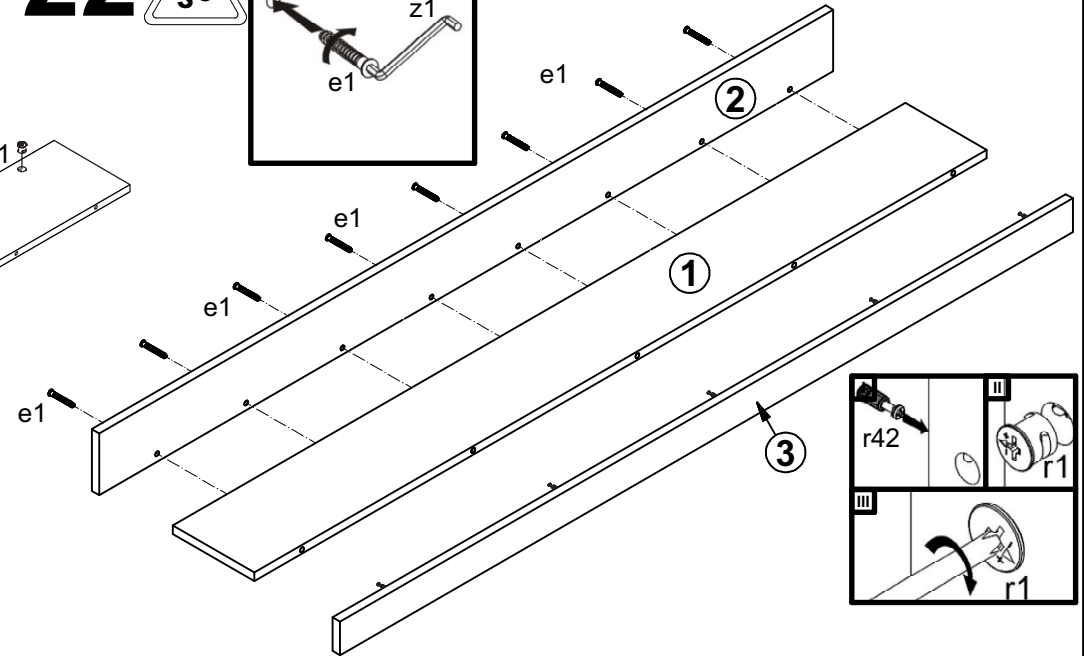
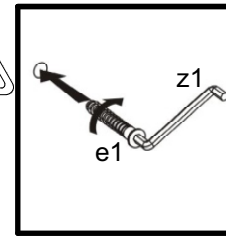


A	B	C (mm)		D
1	N17-306	1500	158	2/4
2	N17-509	1500	108	2/4
3	N17-510	1500	60	2/4

21



22



23

