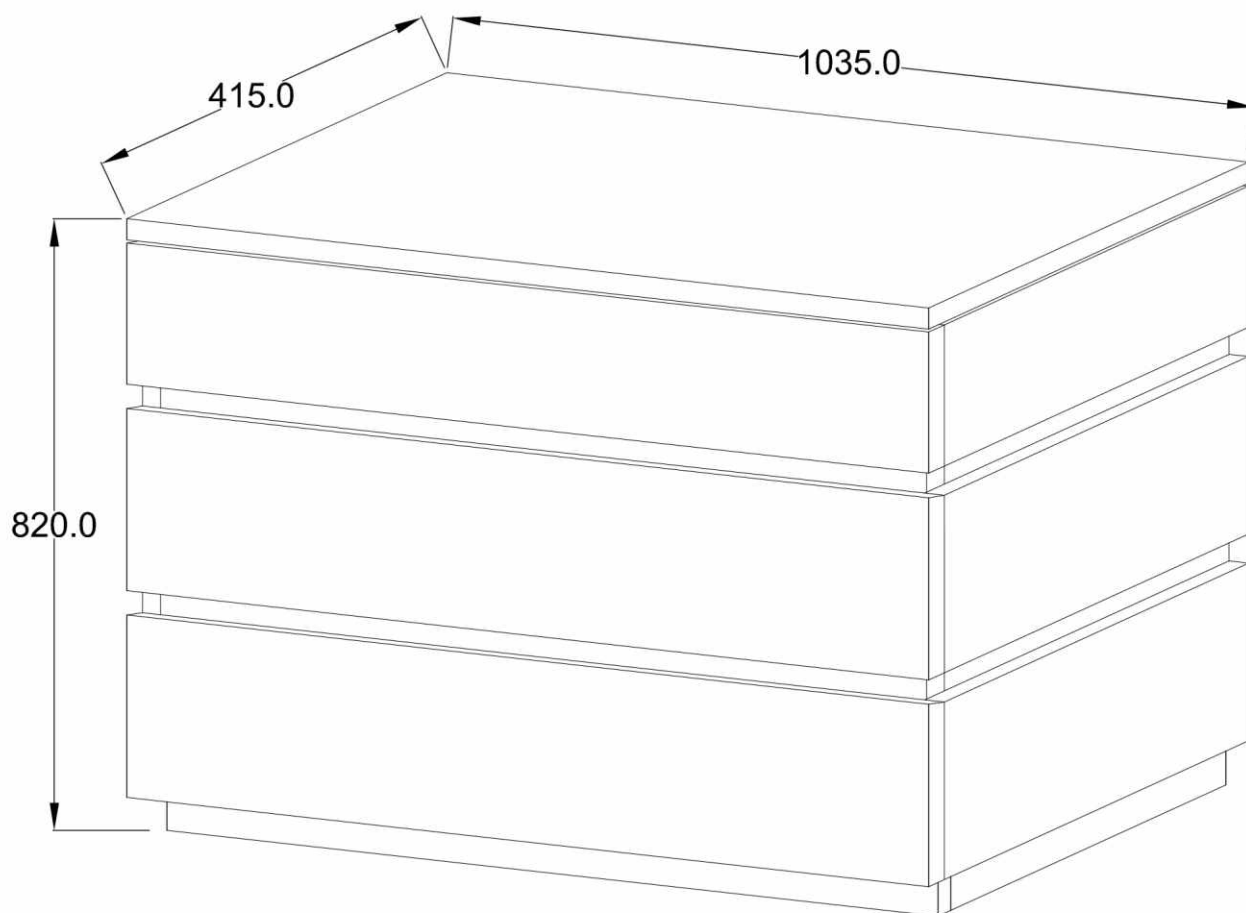
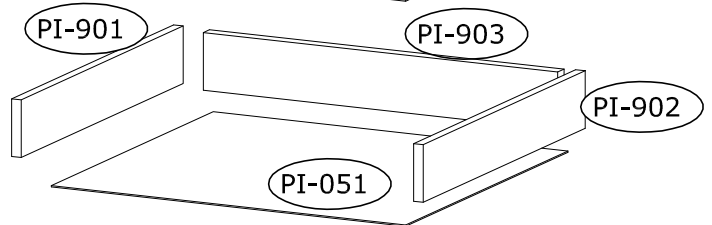
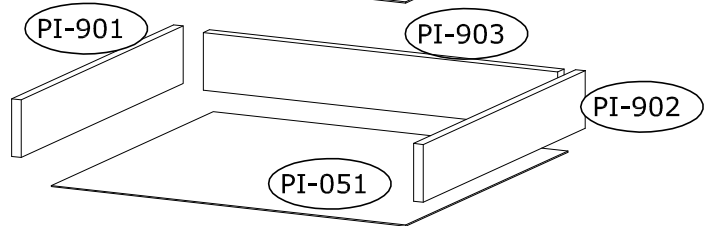
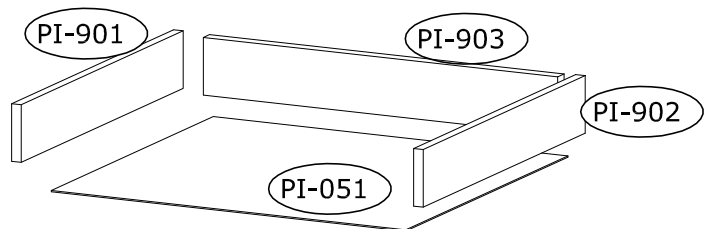
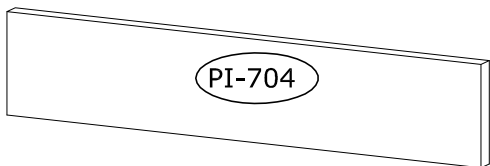
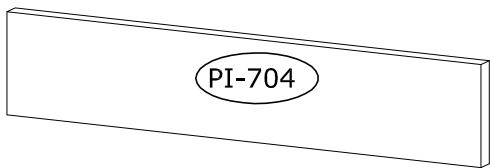
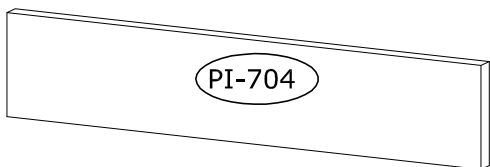
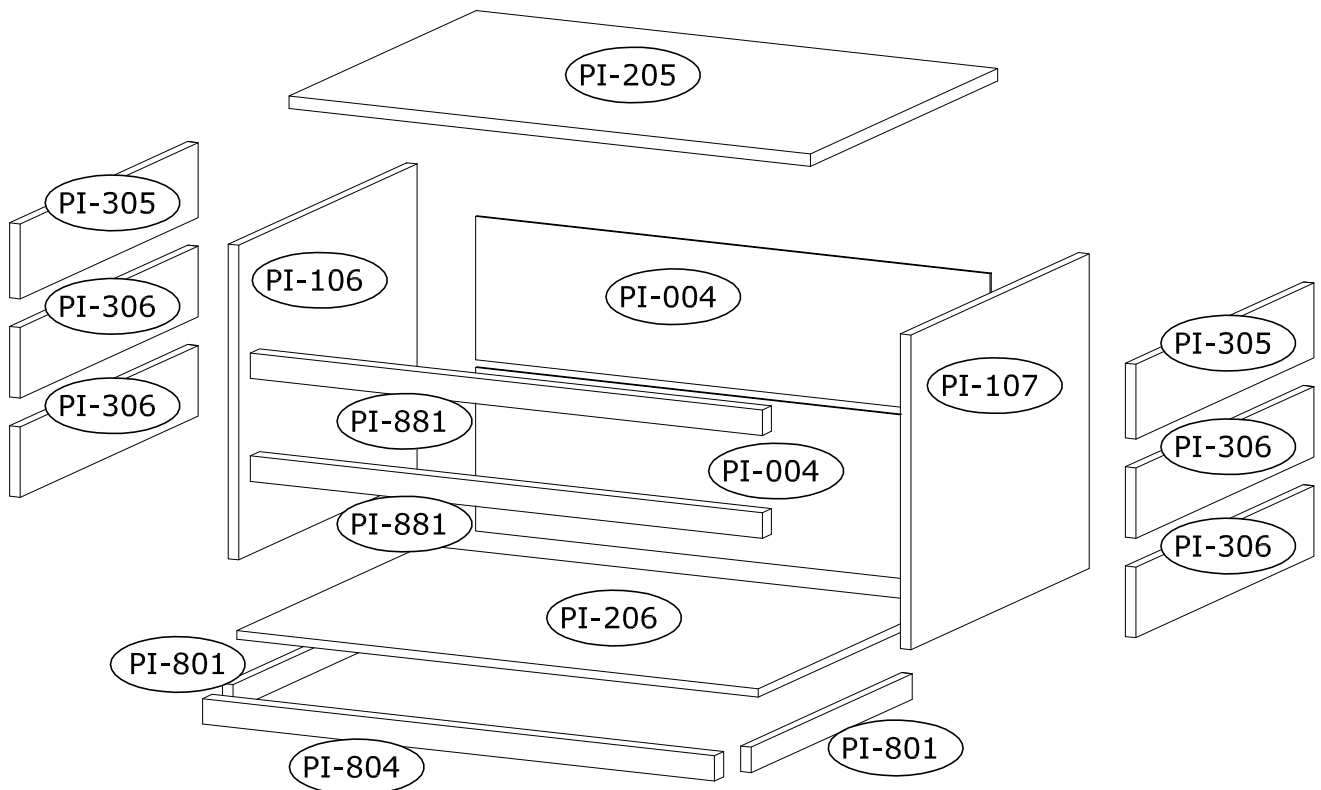
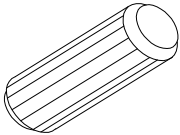
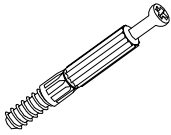
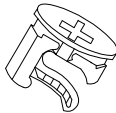
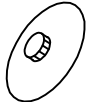
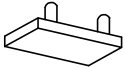

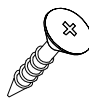
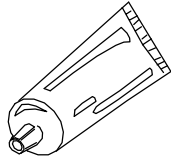
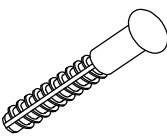
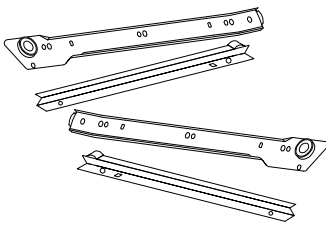
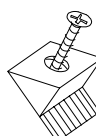

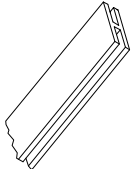
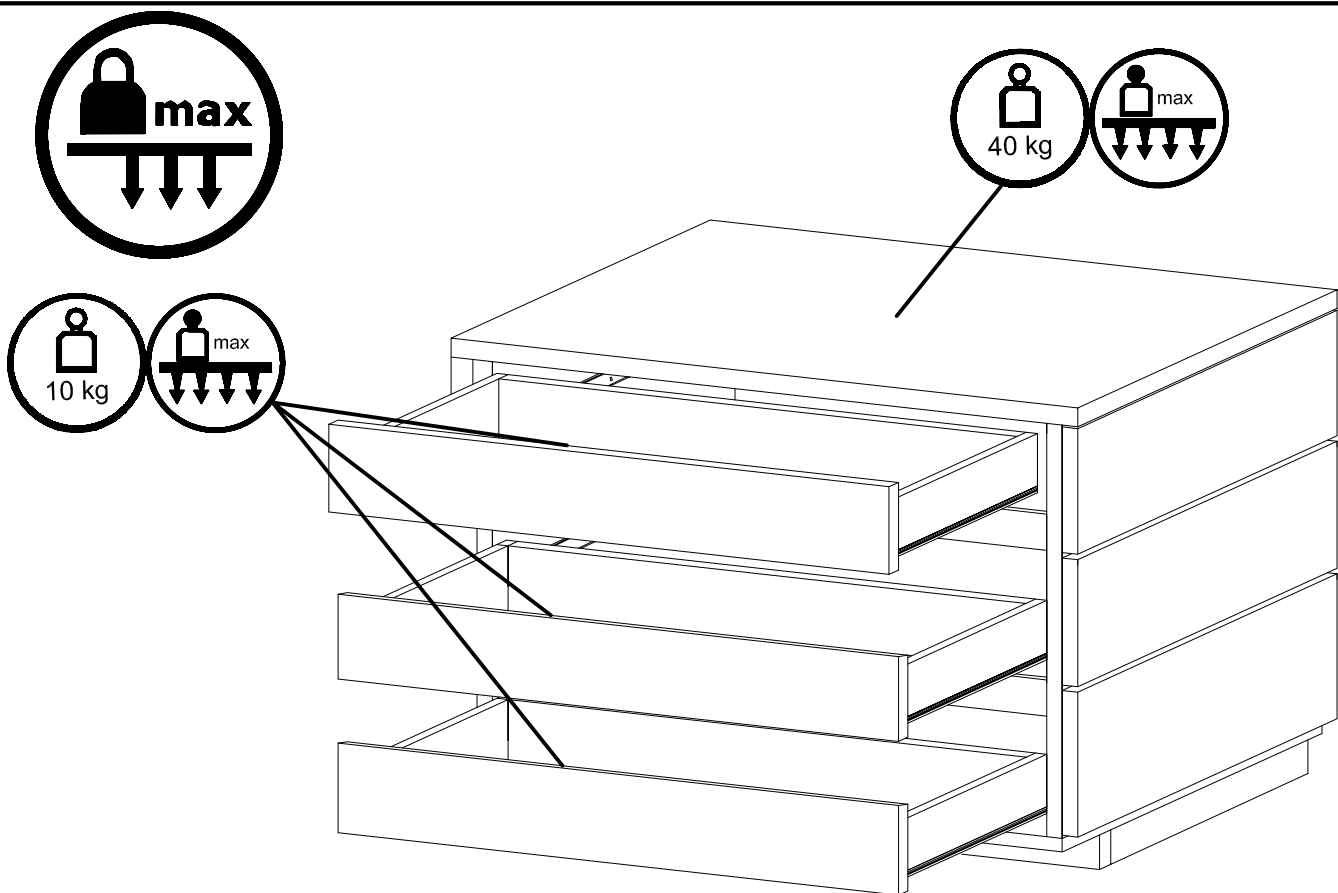


PIETRO

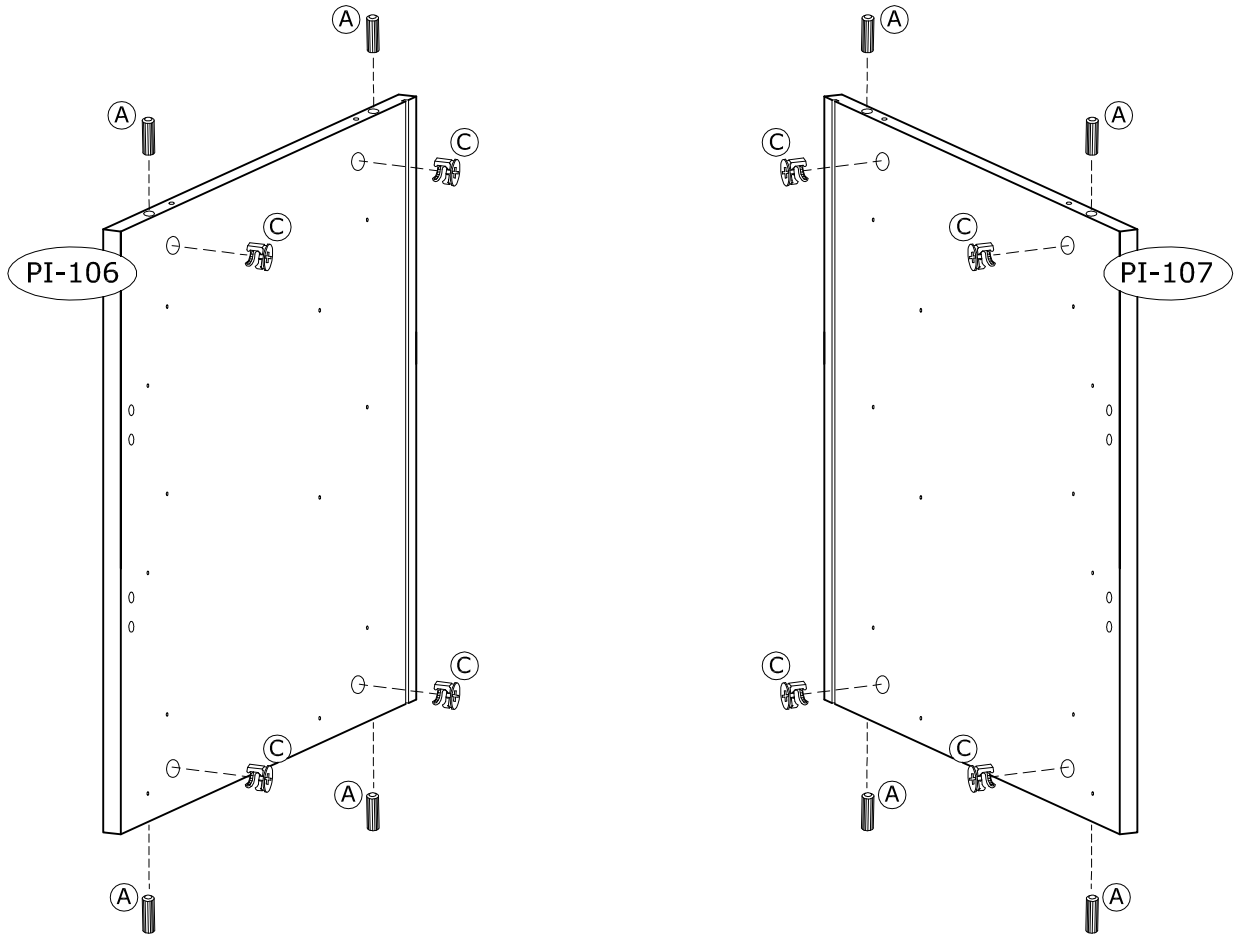




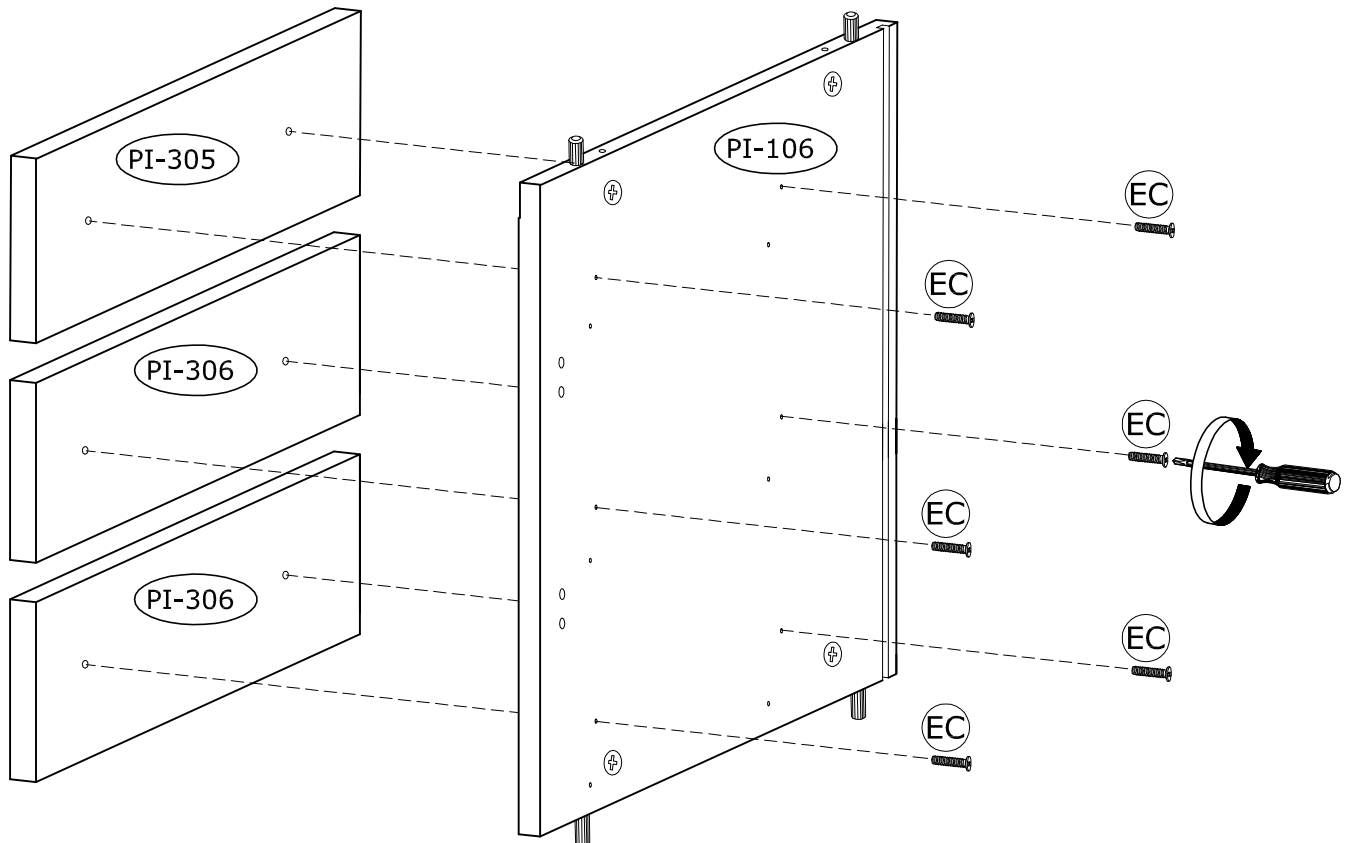
 Ø8x30mm A-43	 Ø6.5x36.5mm B-8	 Ø15x16mm C-8	 Ø20 D-8
 K1-5	 6,3x26mm EC-12	 Ø3,5x16mm G-12	 KL-3
 S-12	 L-350 mm U-3 sety	 H-10	 6,0x13mm R-12
 L-966 mm Q-1			



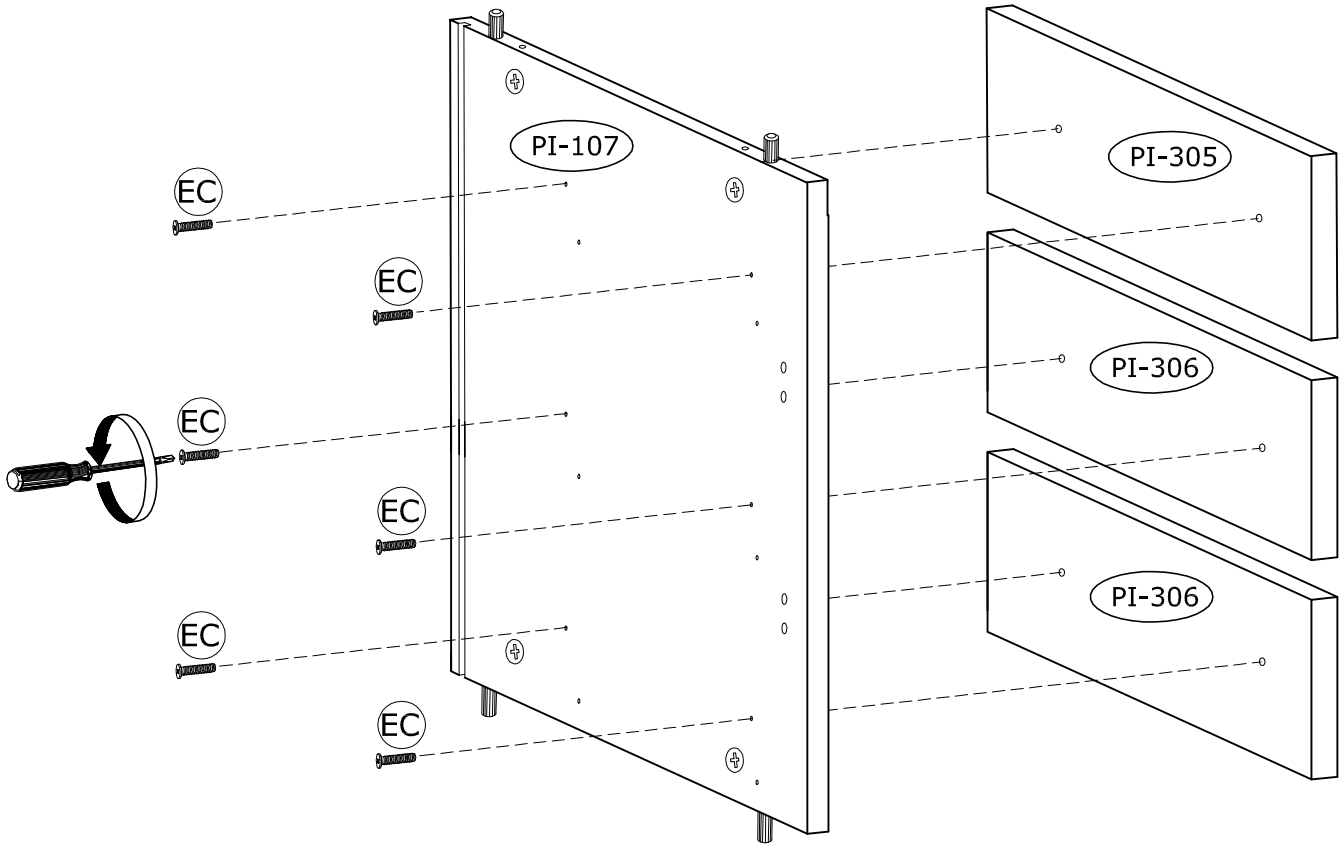
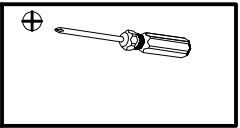
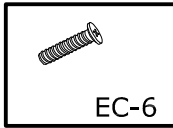
3



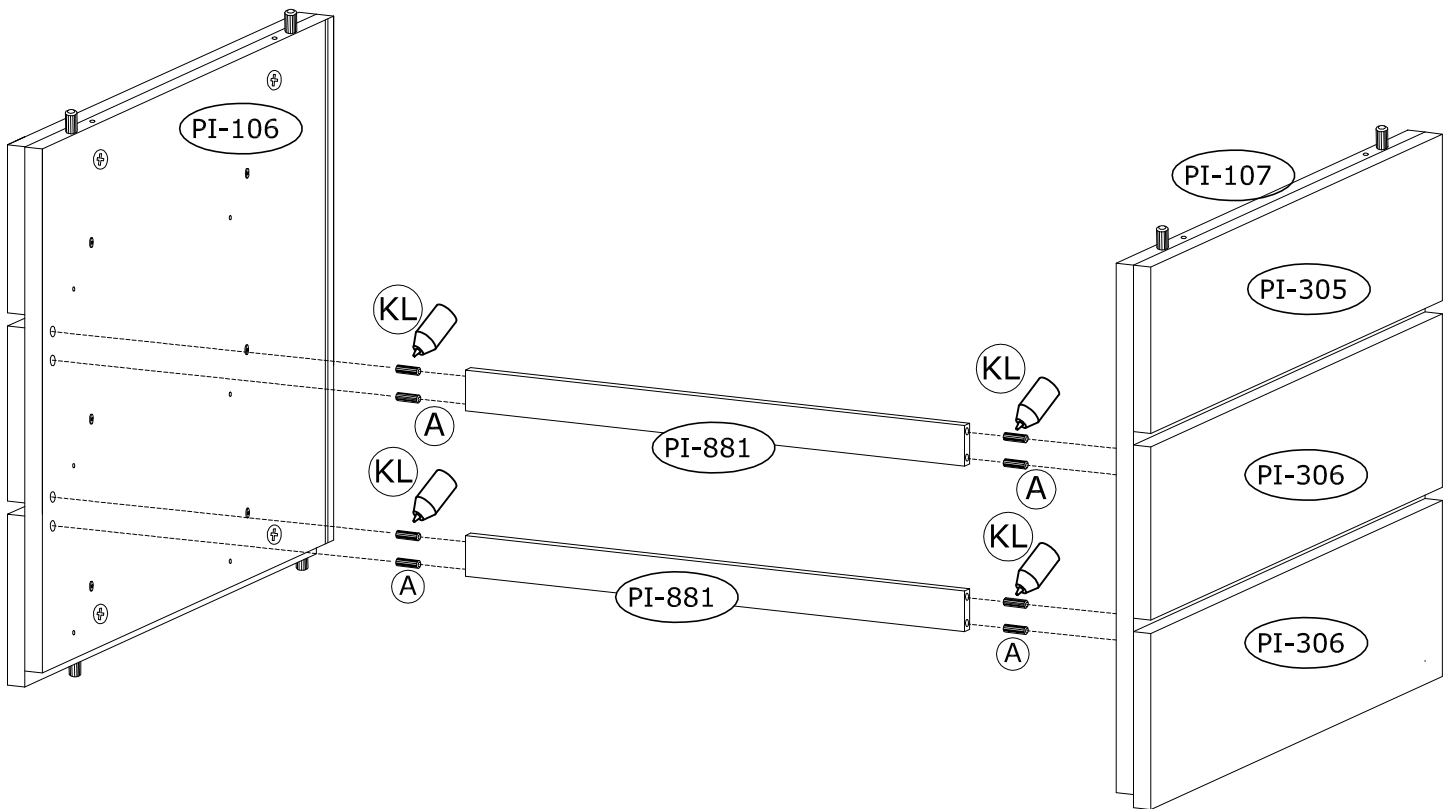
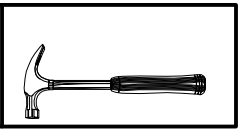
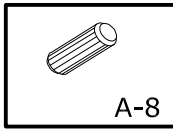
4



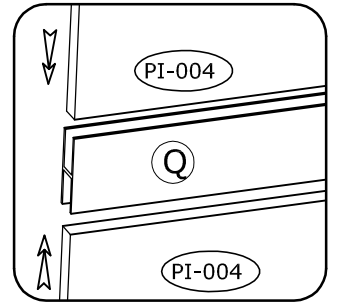
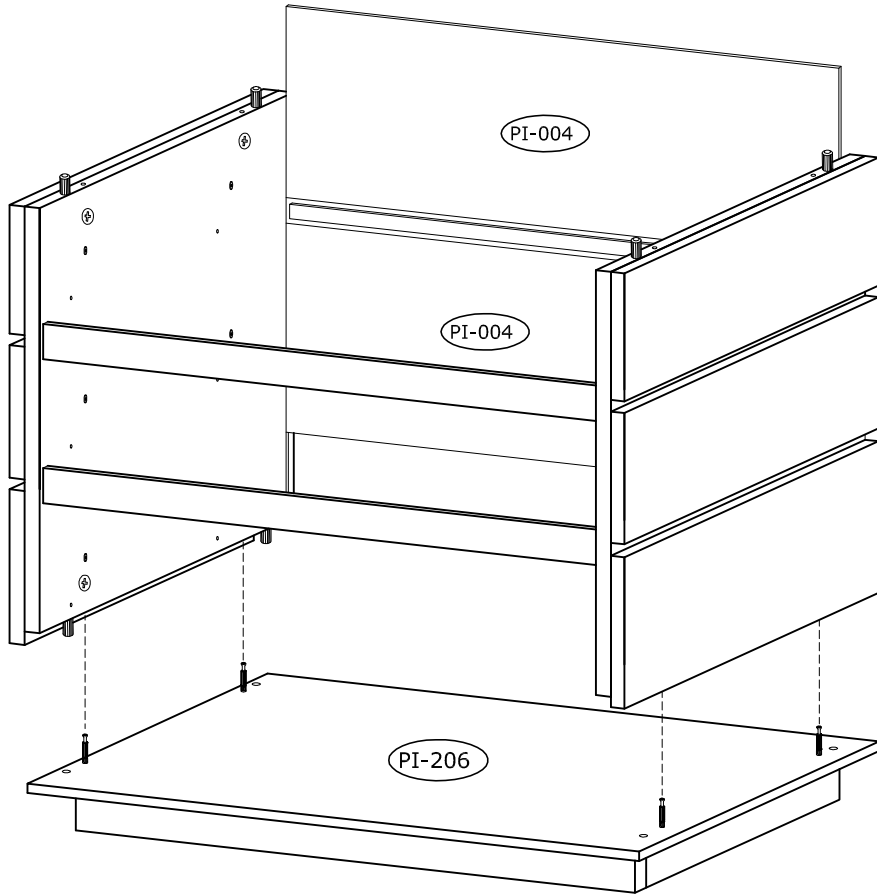
5



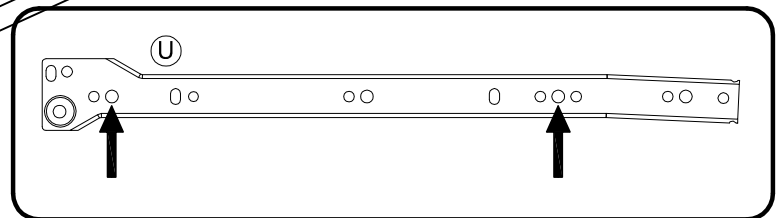
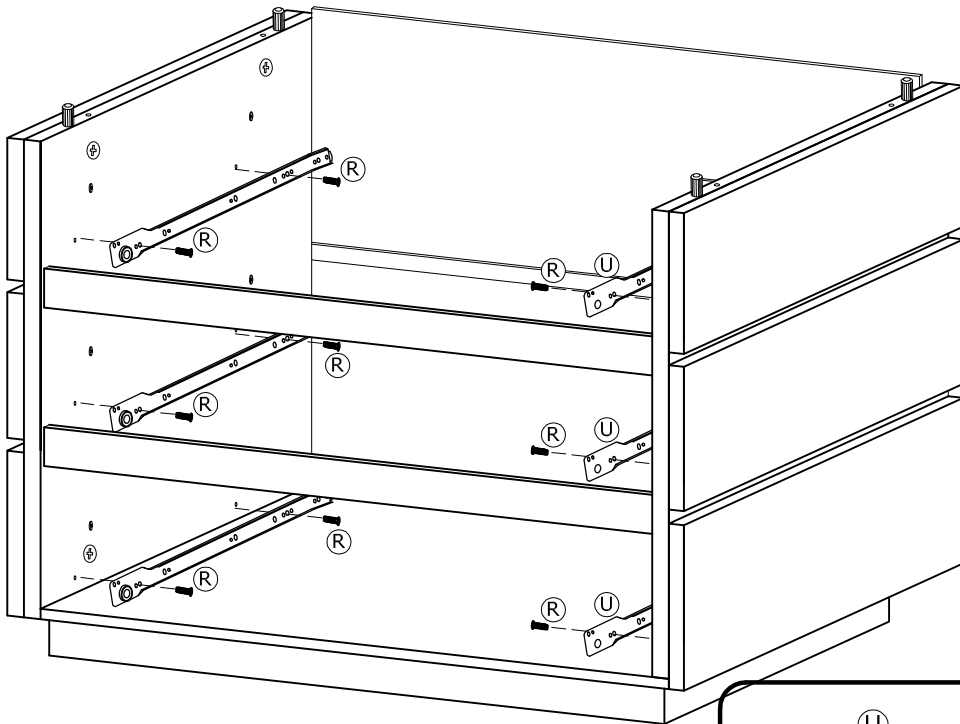
6



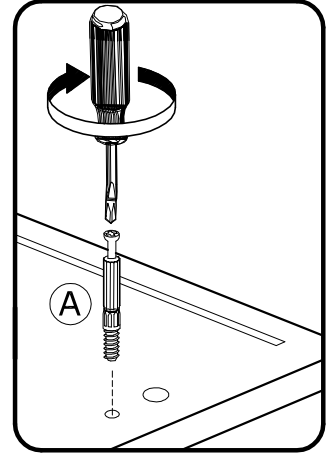
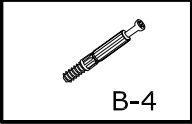
7



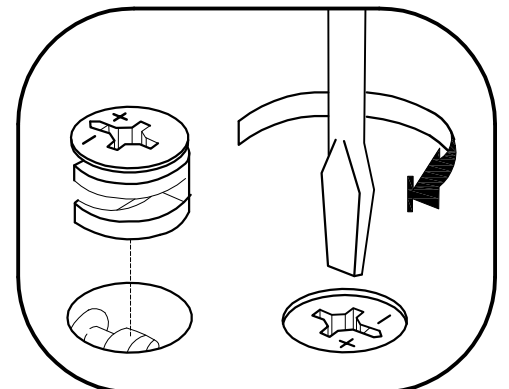
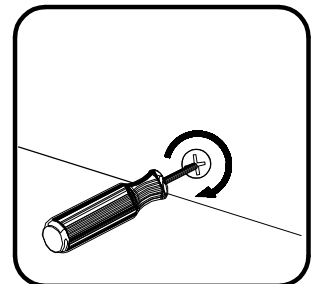
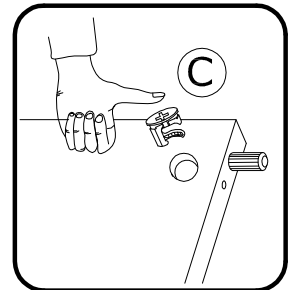
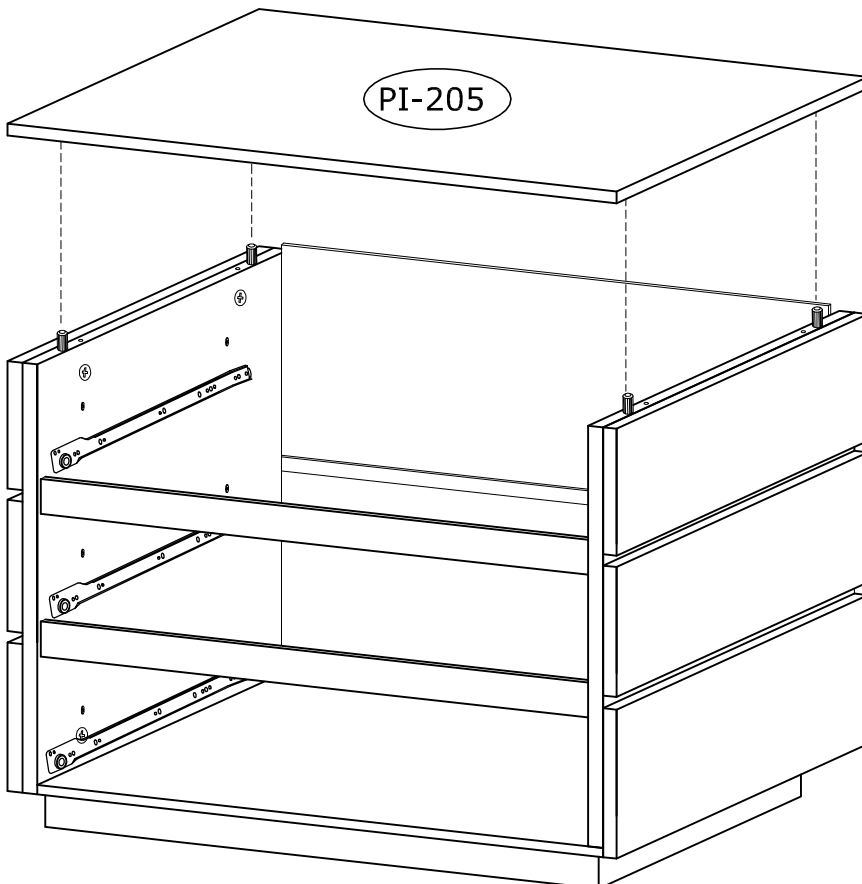
8



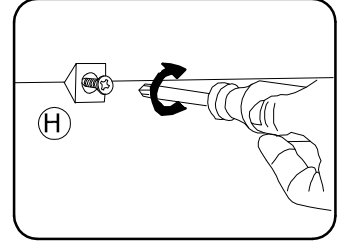
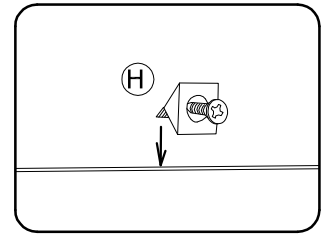
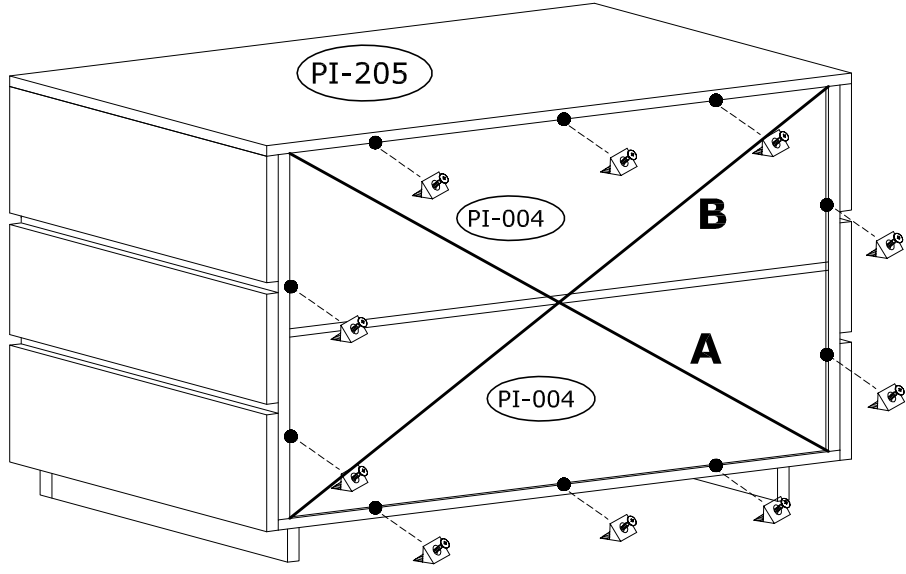
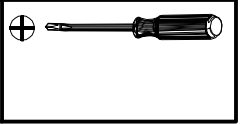
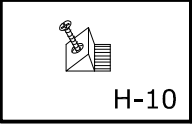
9



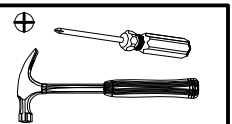
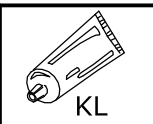
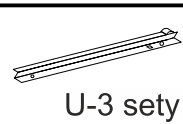
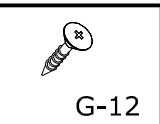
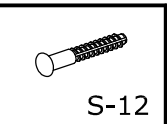
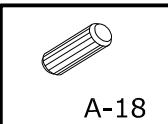
10



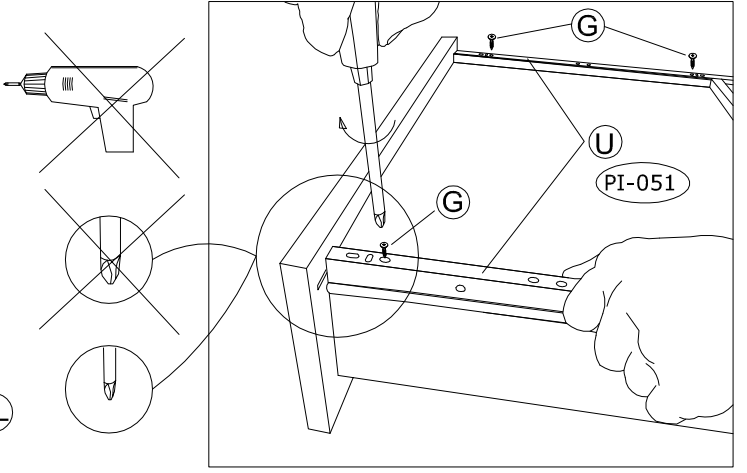
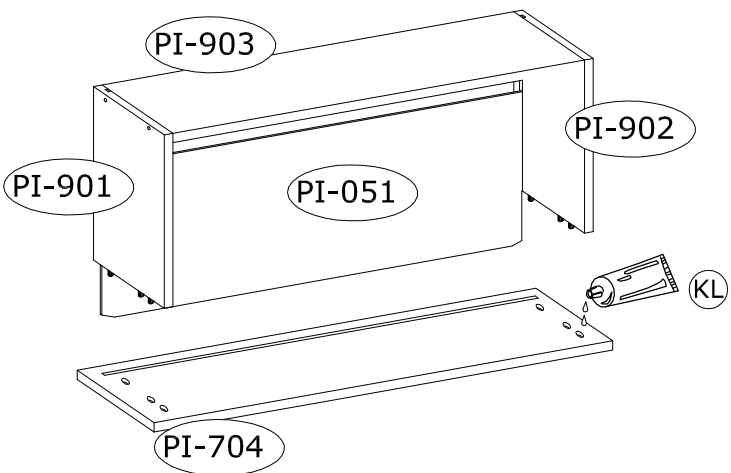
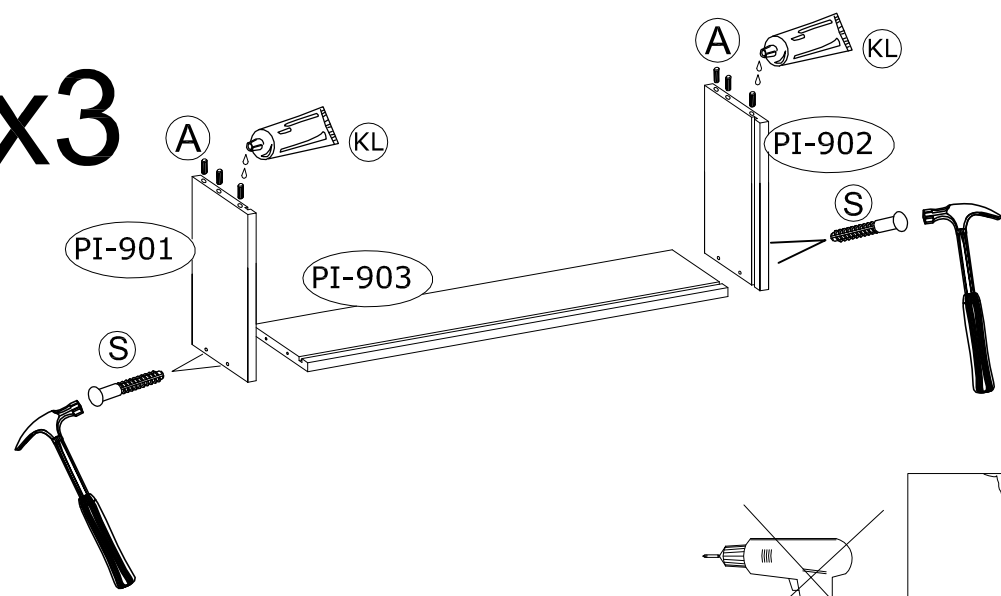
11



12



x3



13

