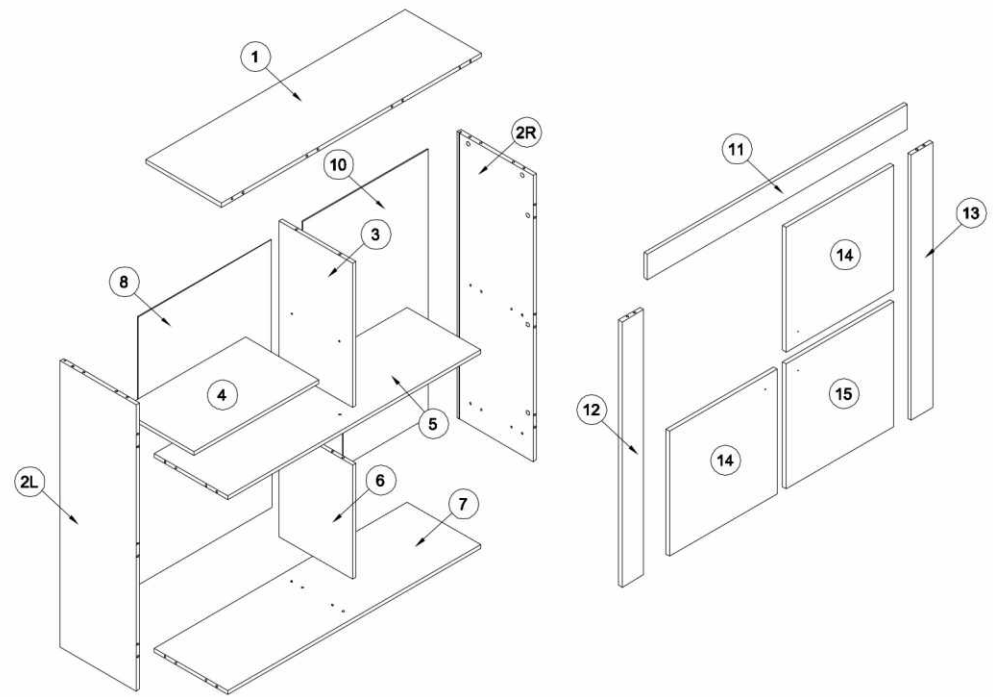
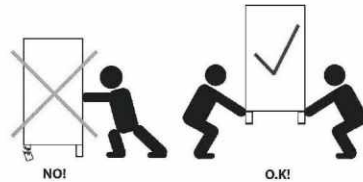


VINCE

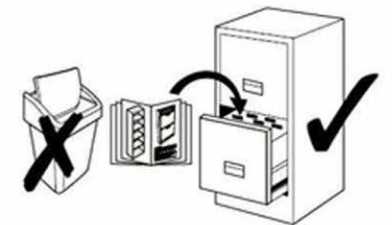
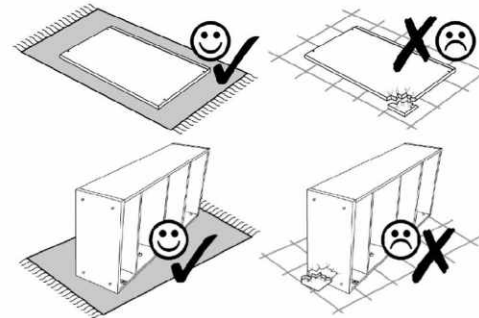
RK120

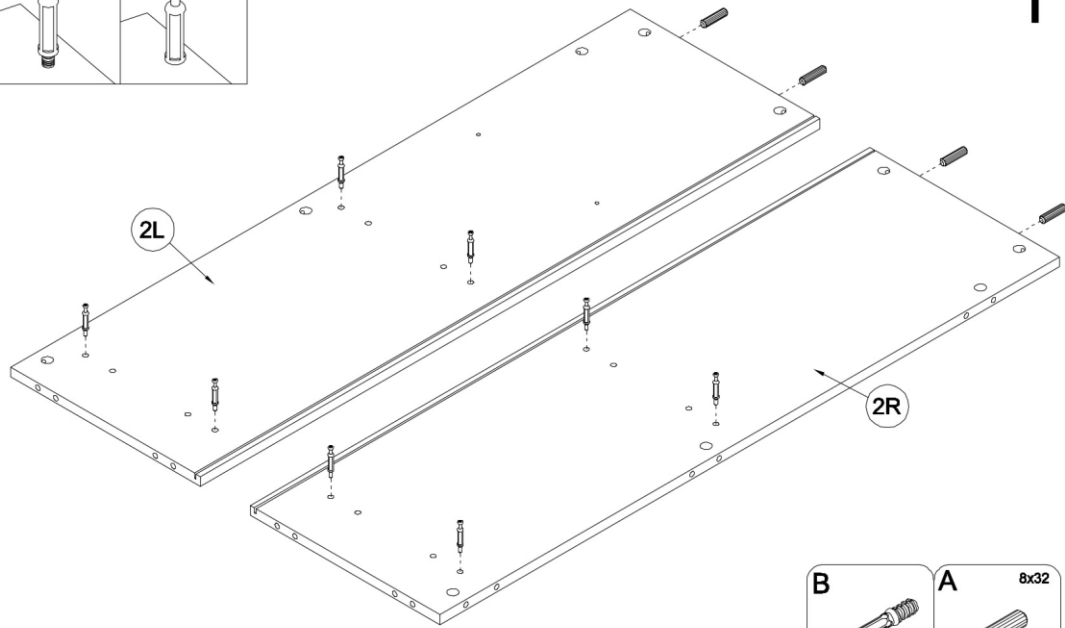
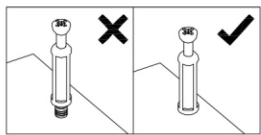


TB x1	N 3x20 x19	TA x1	K3 4x25 x1	WA x1	PS x4	C x26	Z x26	ZC x7	X x10	Z x4
B x26	A 8x32 x34	R x6	H 6,3x13 x12	NA 4x13 x13	PR x6	YA 4x22 x3	O x3			

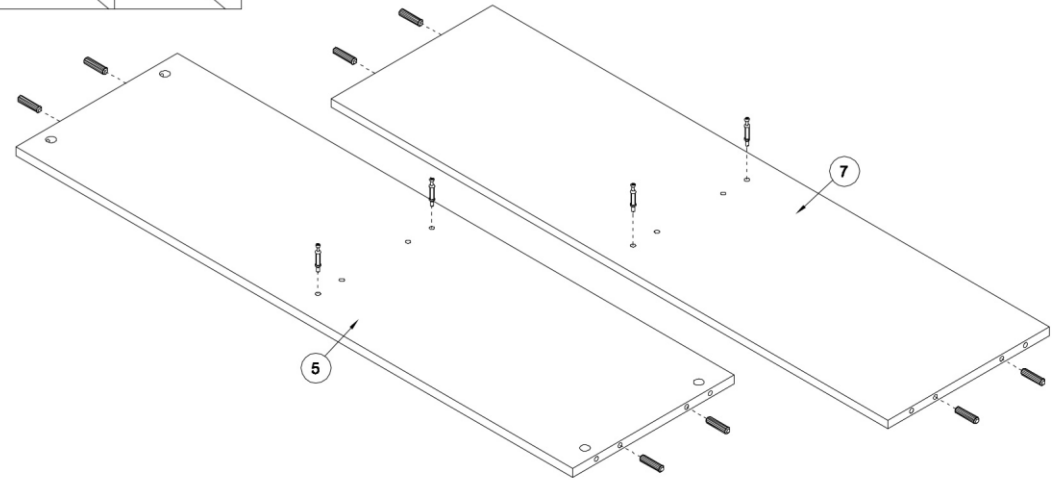
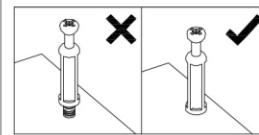
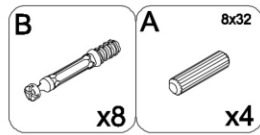


20 min.

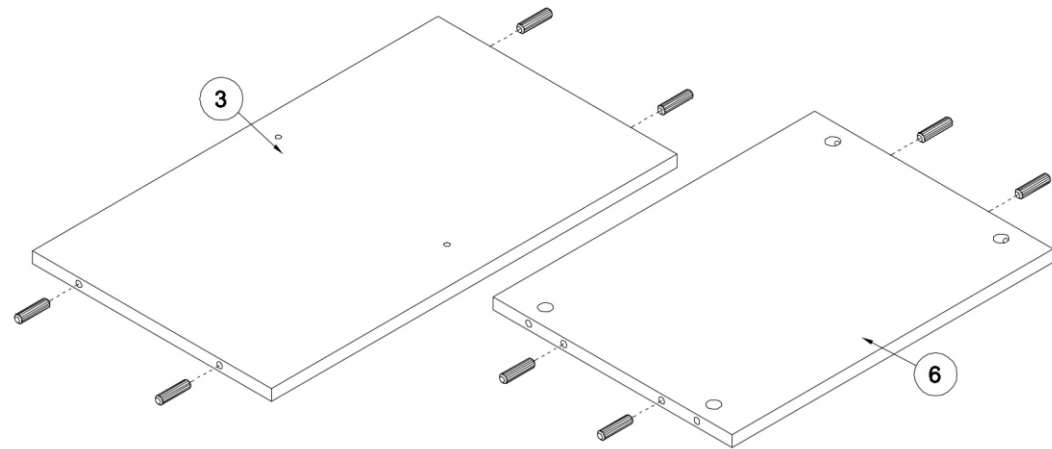
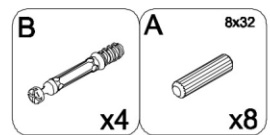




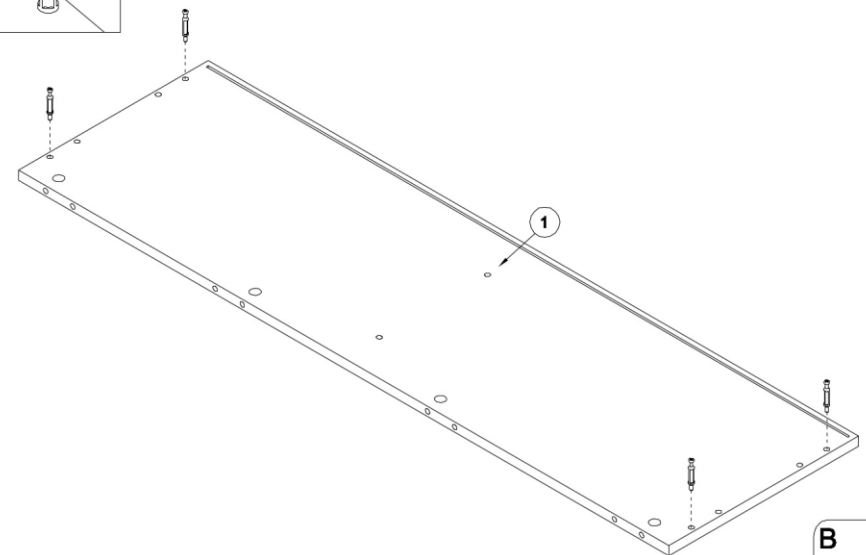
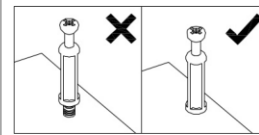
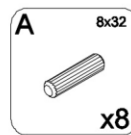
1



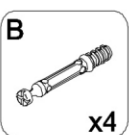
3

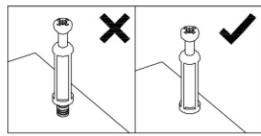


2

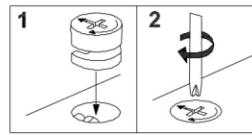
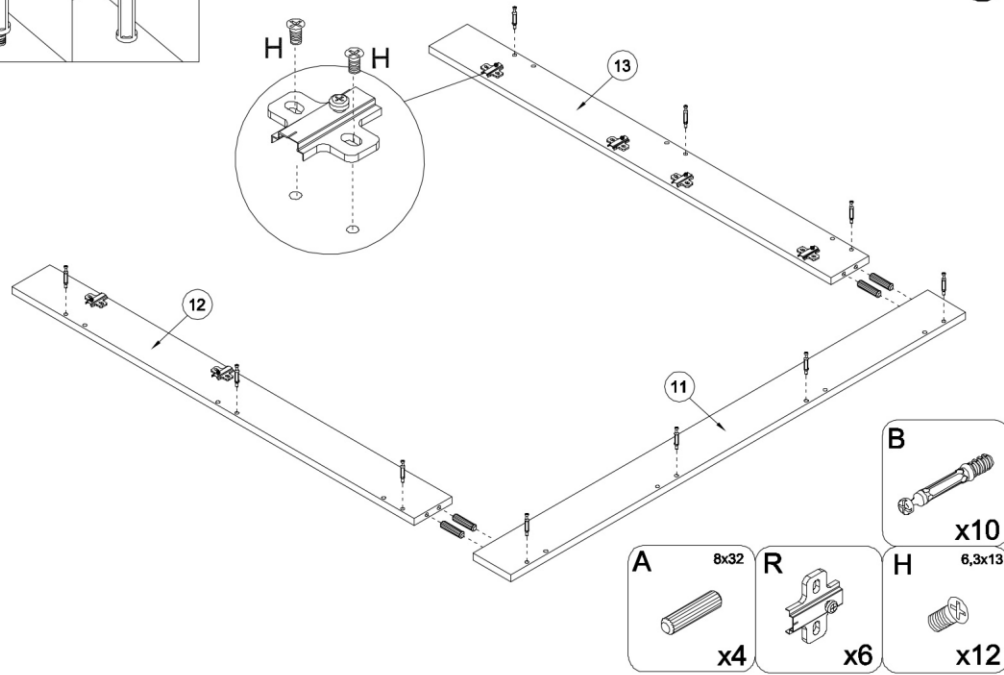


4

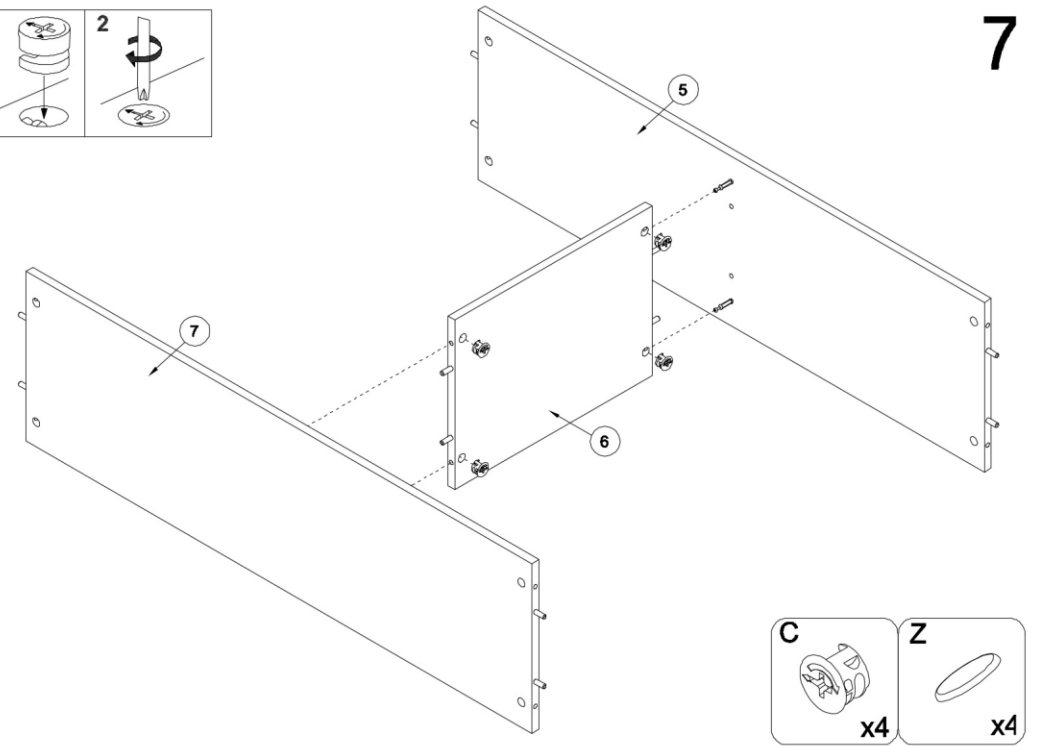




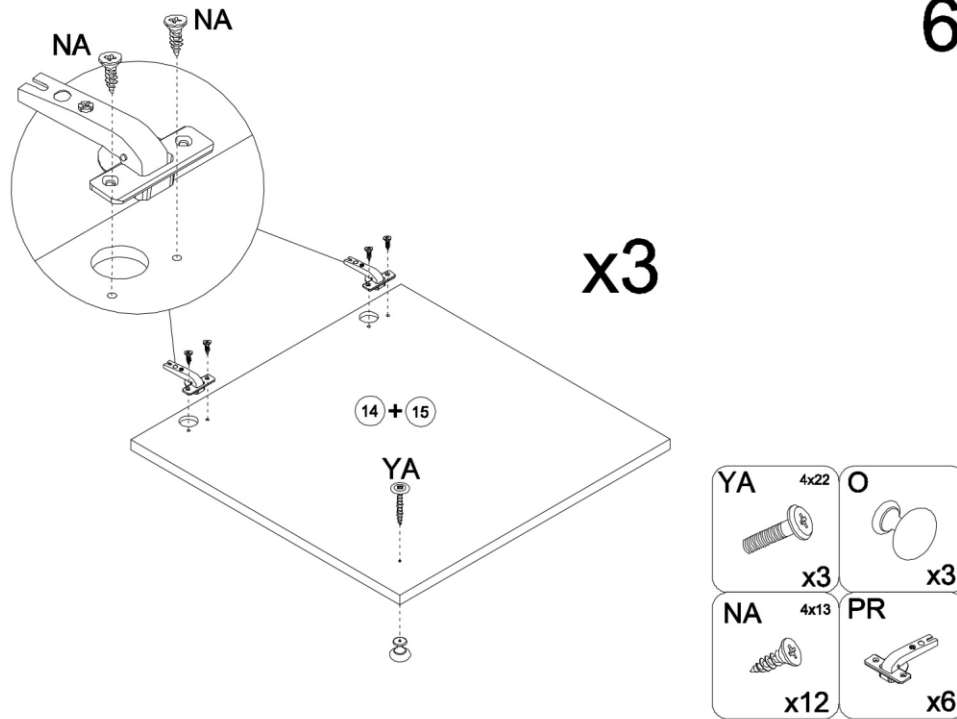
5



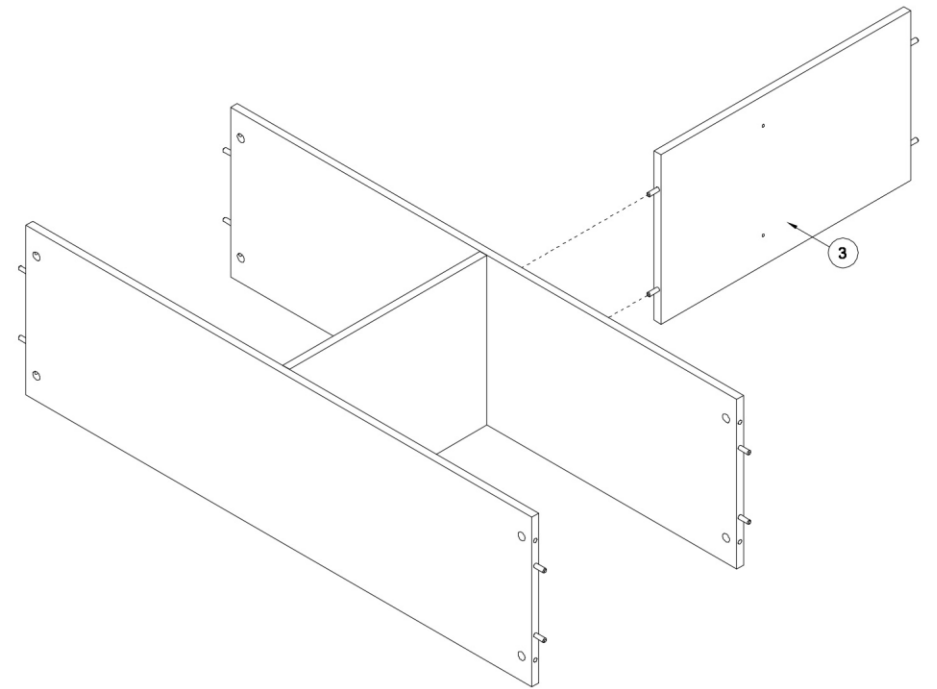
7

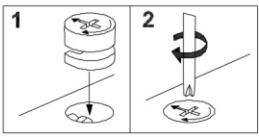


6

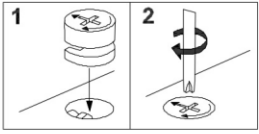
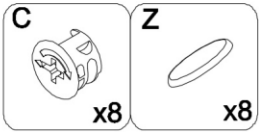
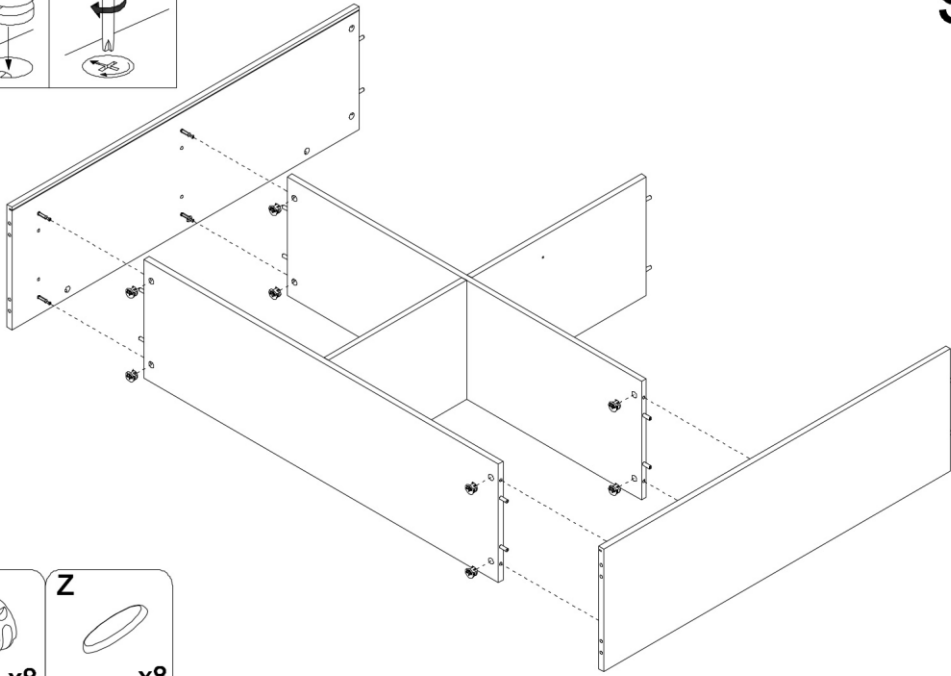


8

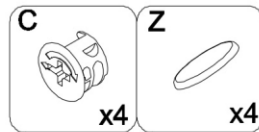
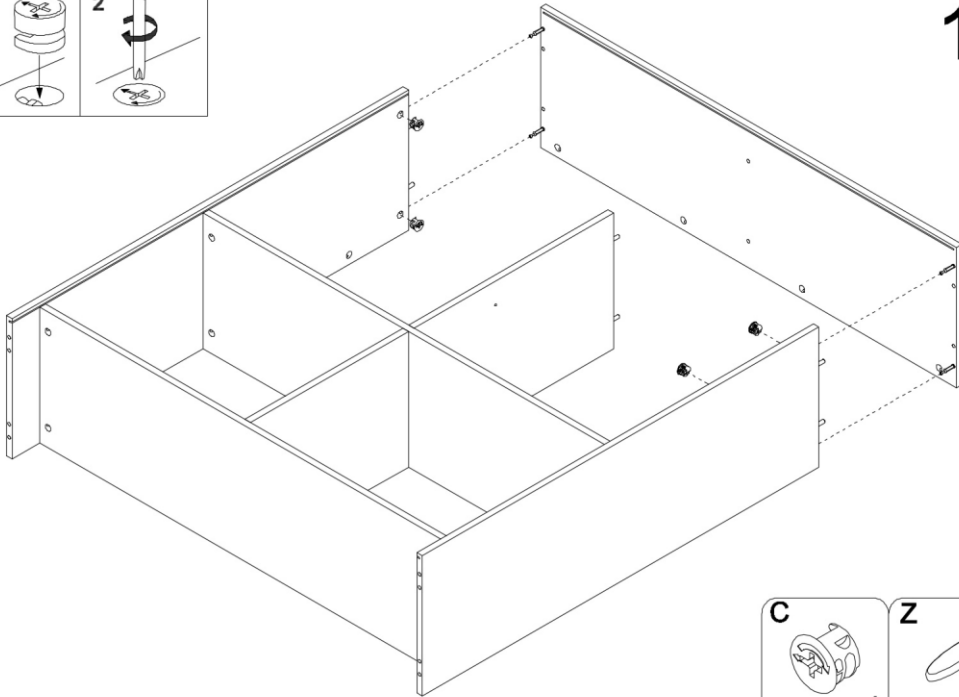




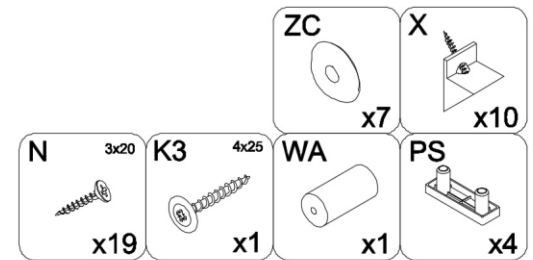
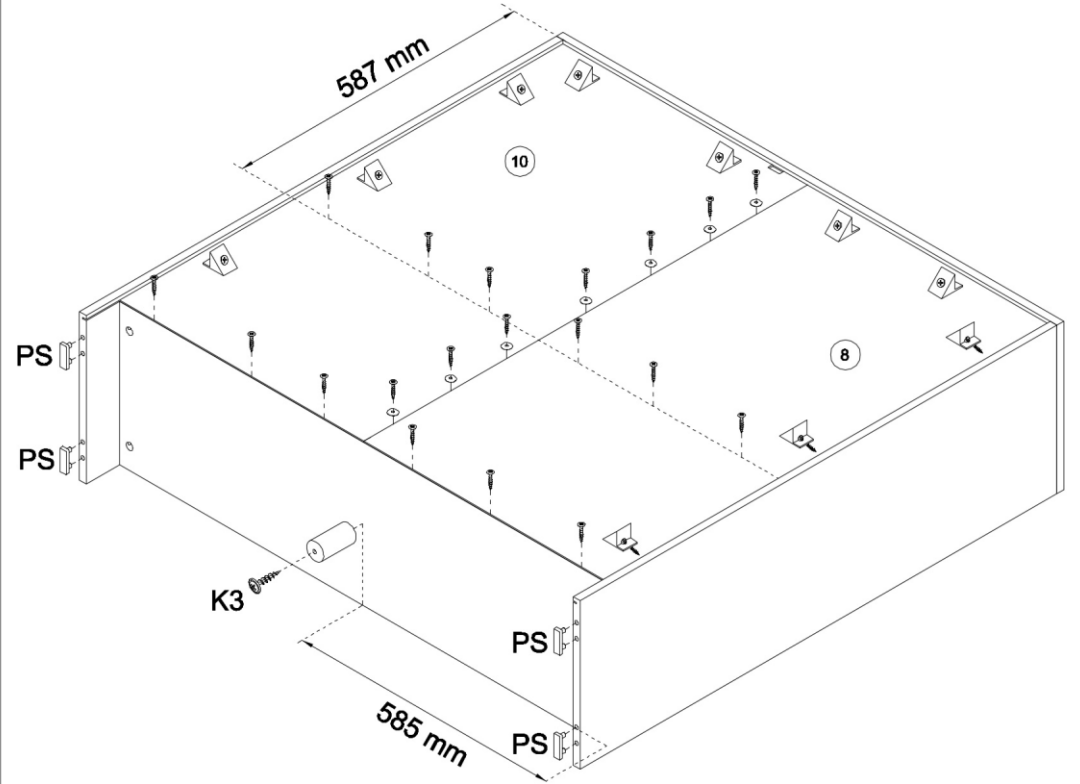
9

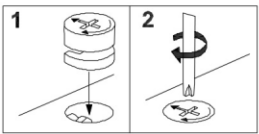


10

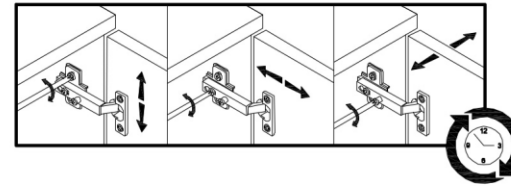
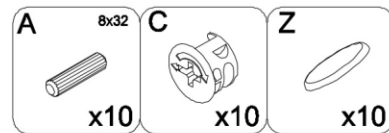
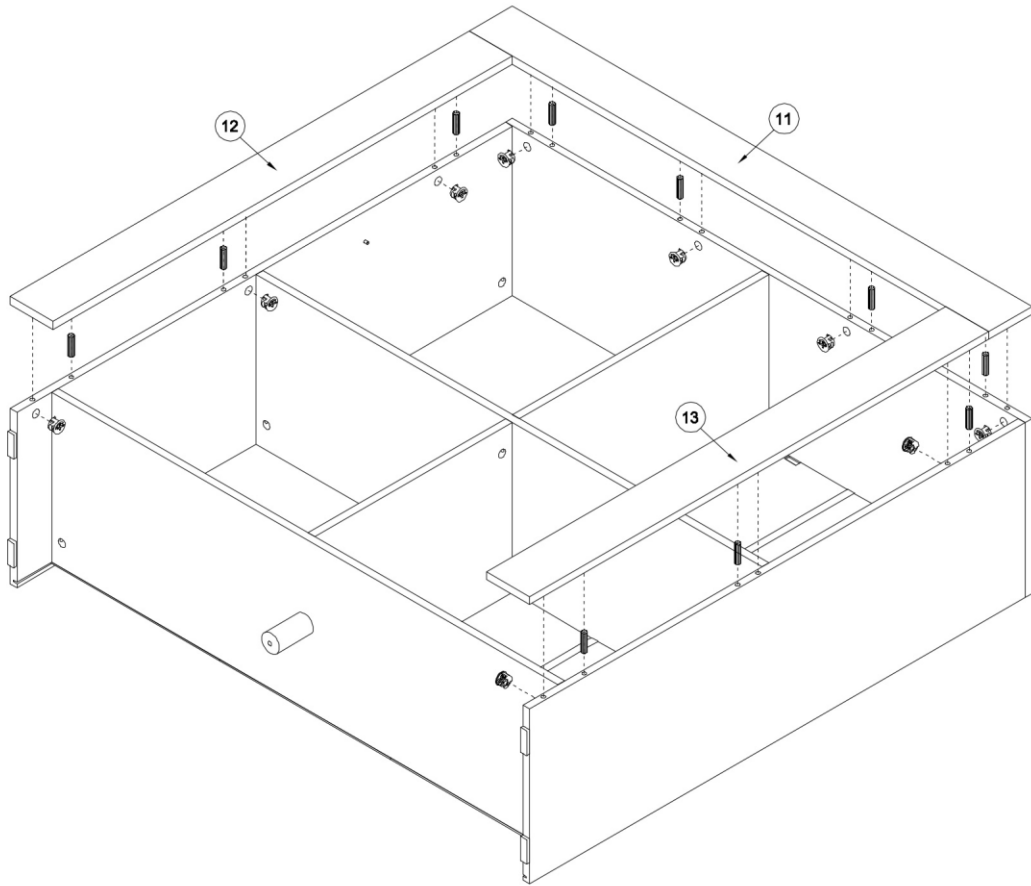


11





12



13

