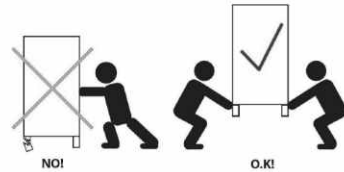
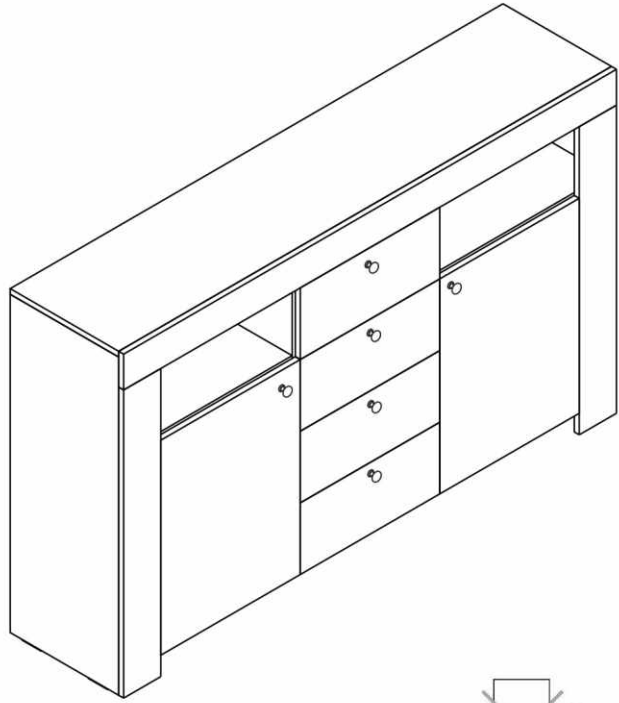
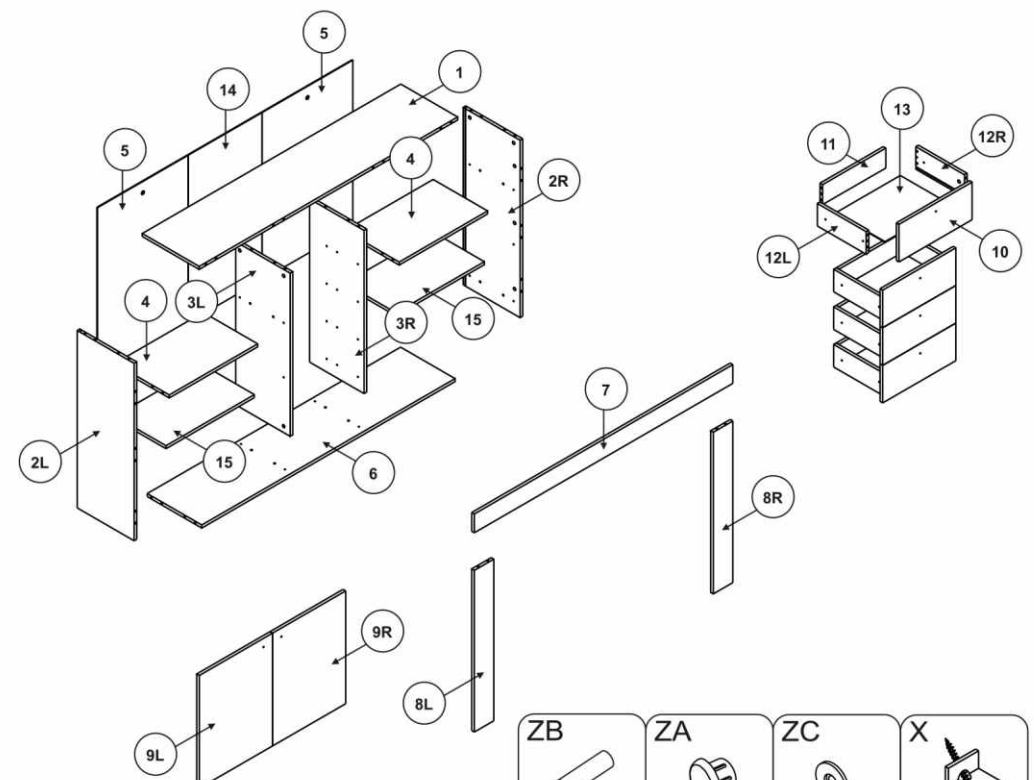


VINCE

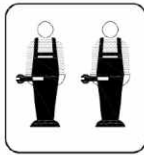
RK 155



03-12-2018

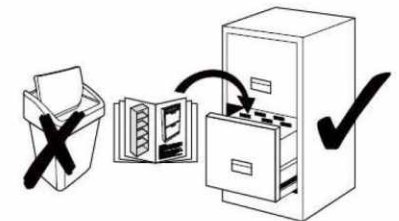
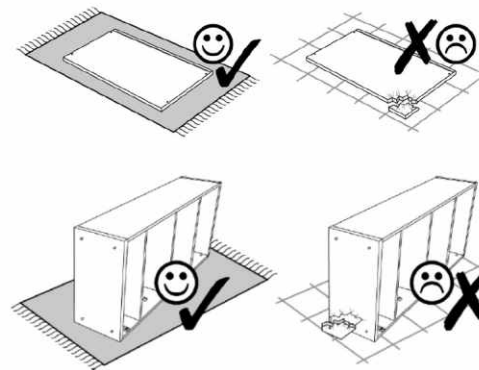


		ZB	ZA	ZC	X
		x8	x2	x12	x12
A	8x32	B	C	Z	N
	x70		x50		x50
	x39		x40		x8
	x4				x4
G	L=345	W	Y	YA	O
	x8		x4		x8
	x6		x6		x2
	x2				x4

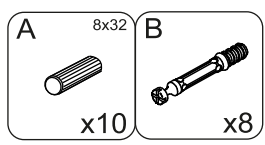


2,5 - 3

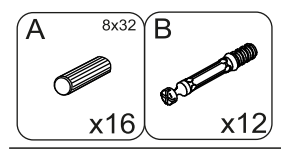
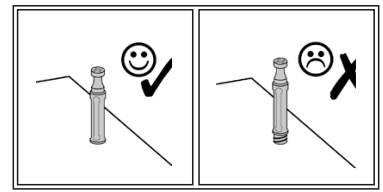
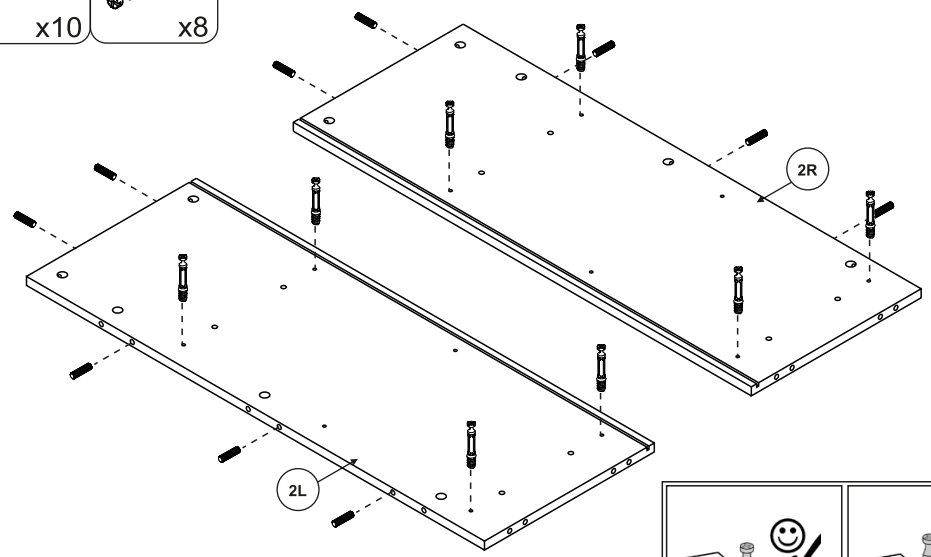
1



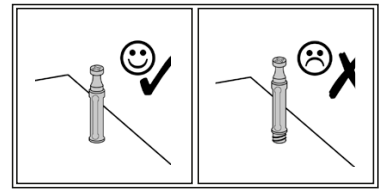
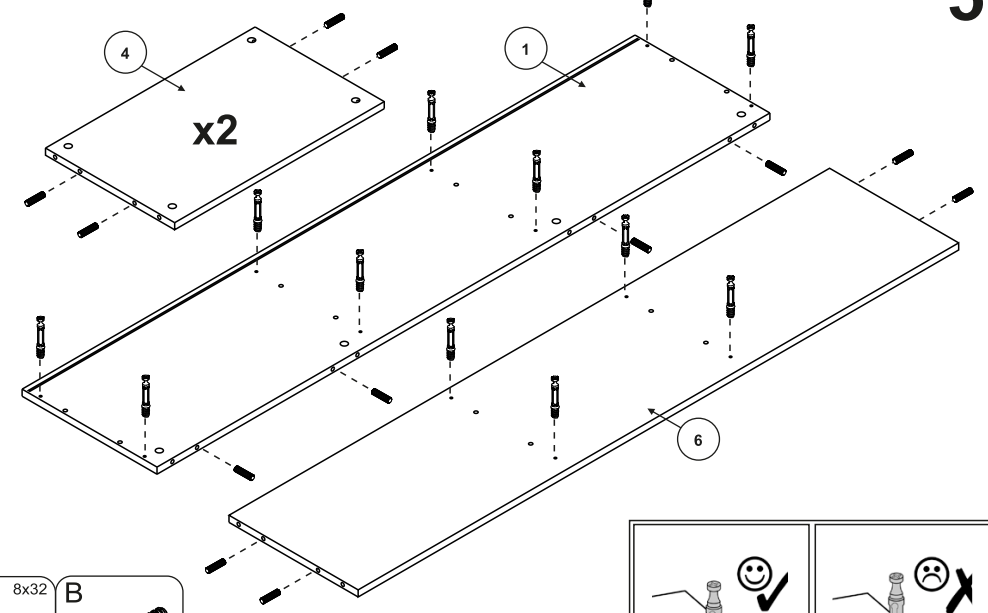
2



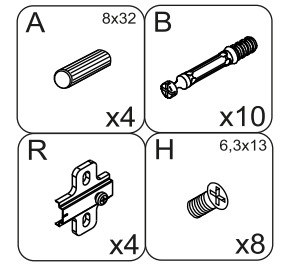
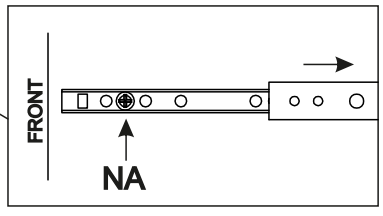
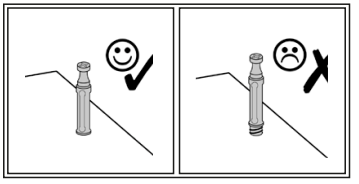
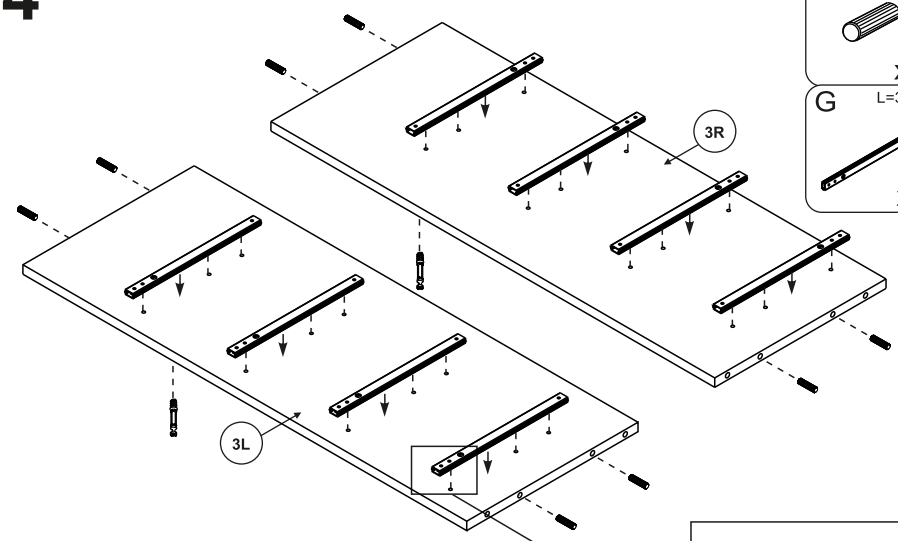
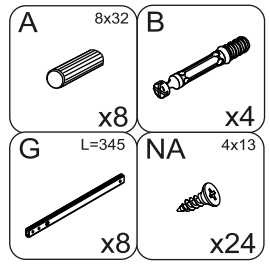
3



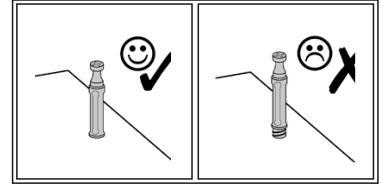
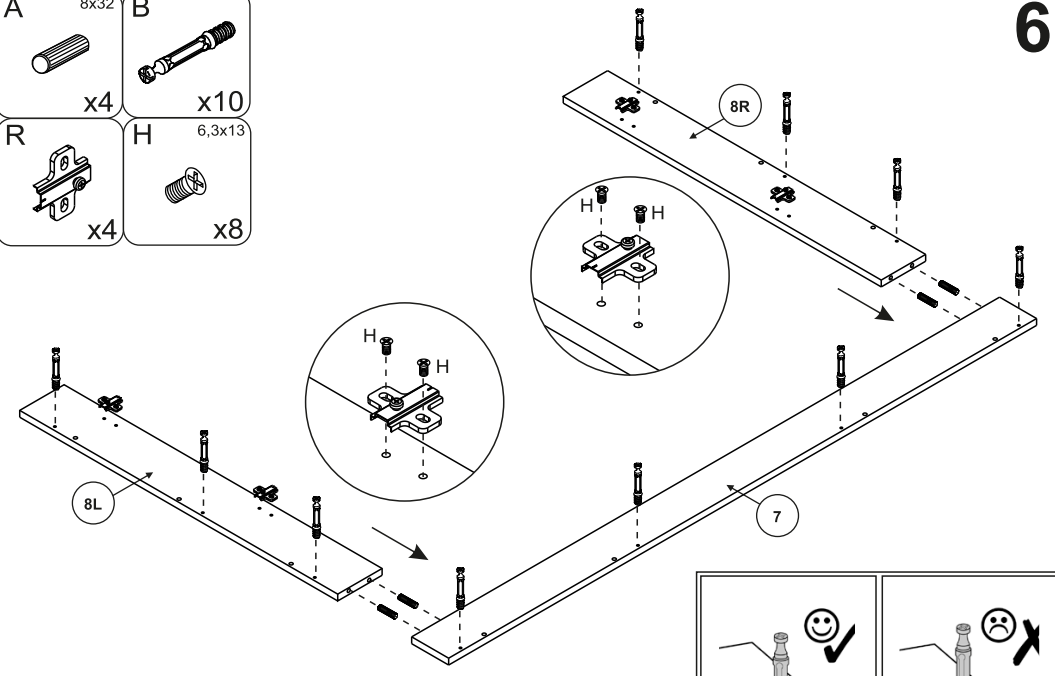
5

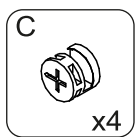


4

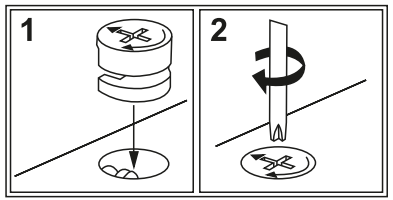
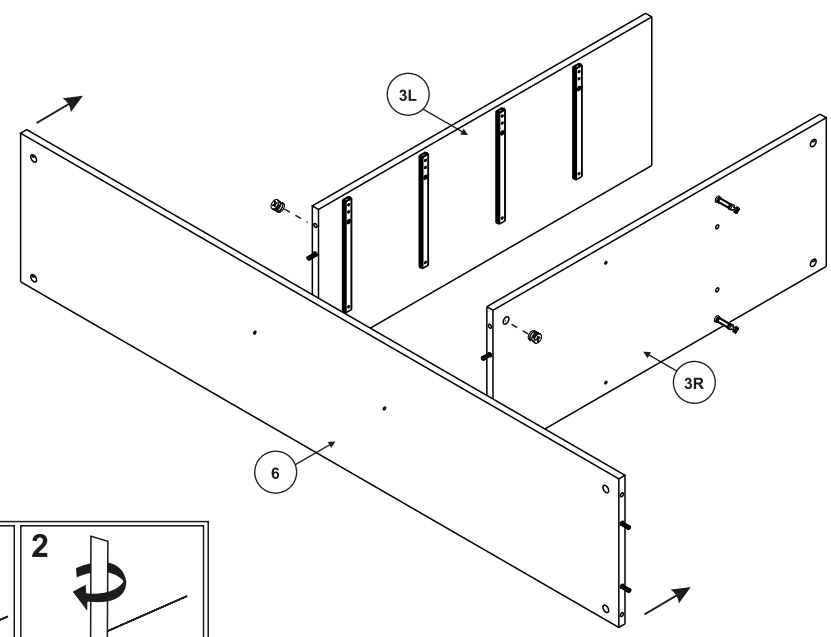


6

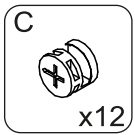
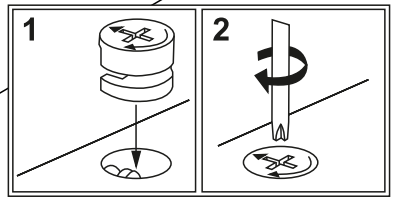
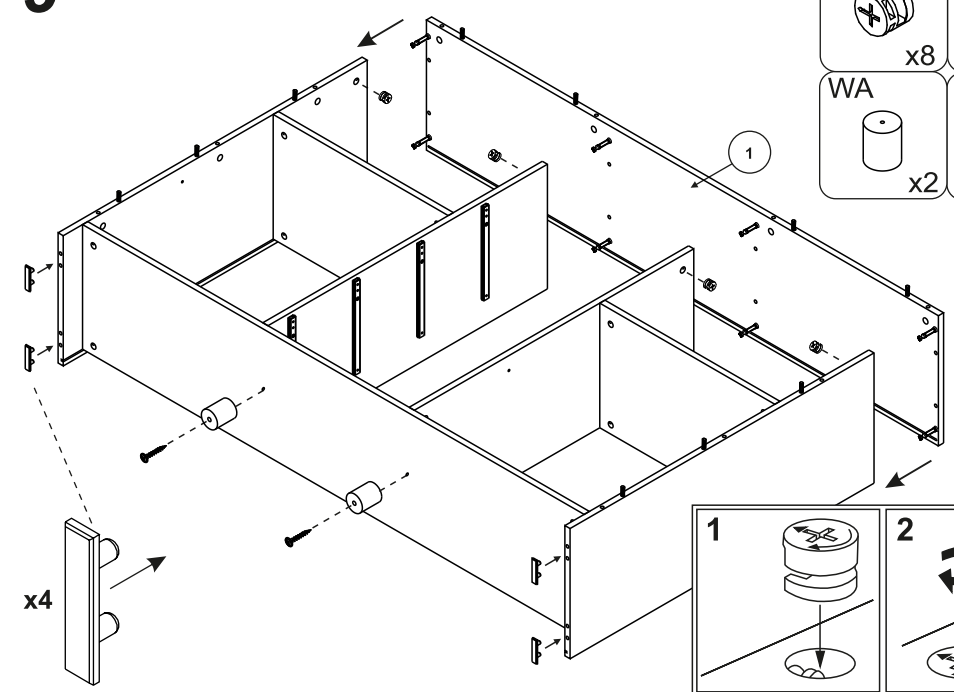
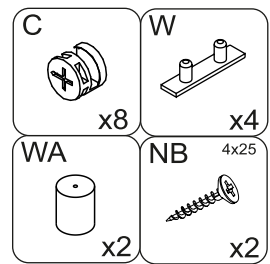




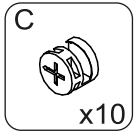
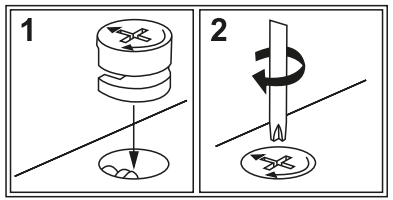
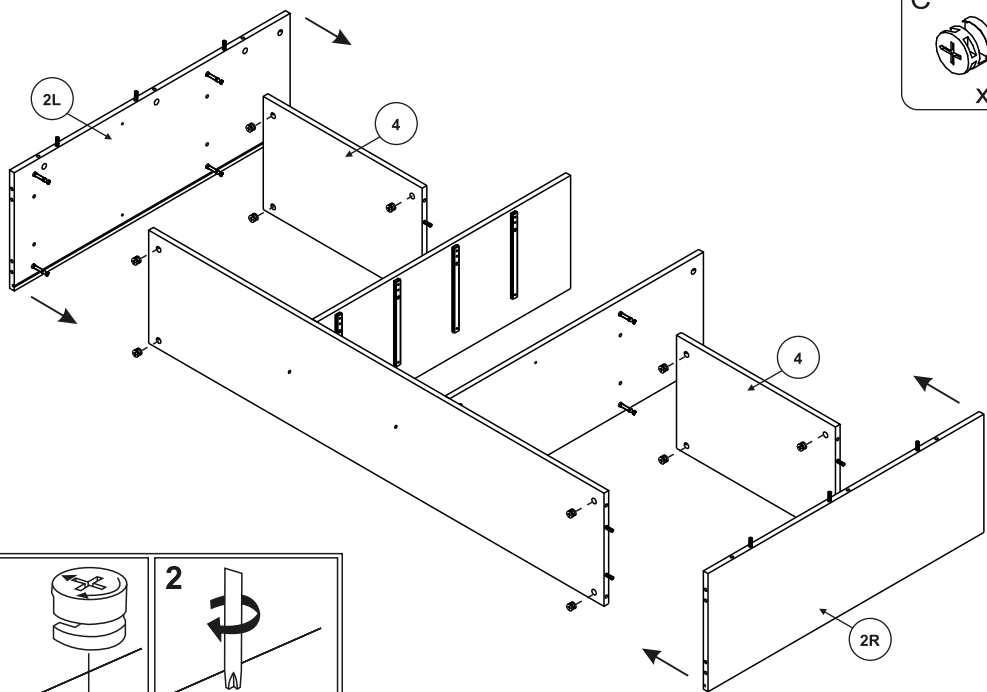
7



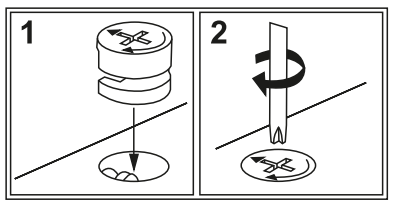
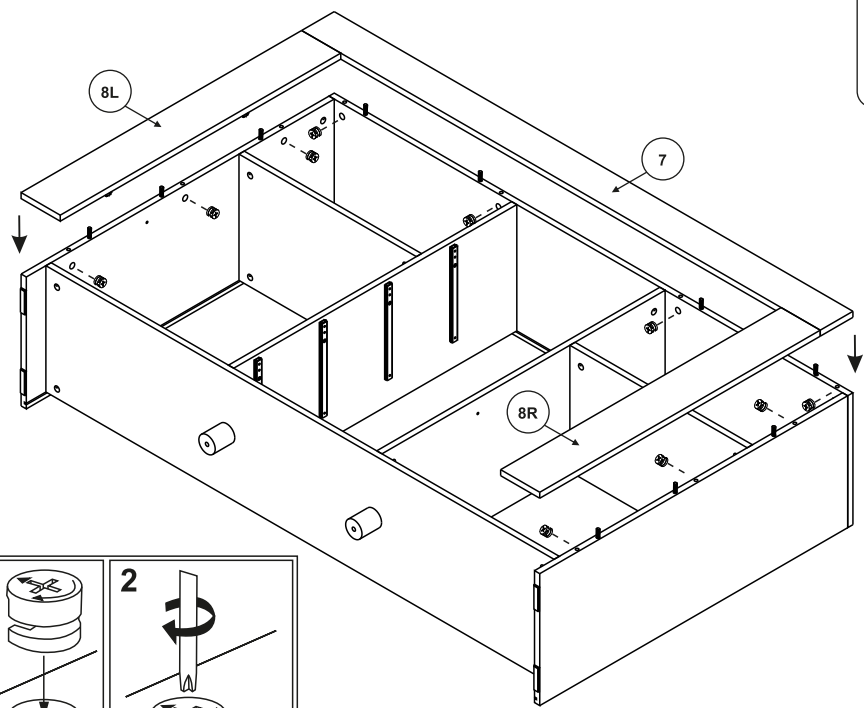
9

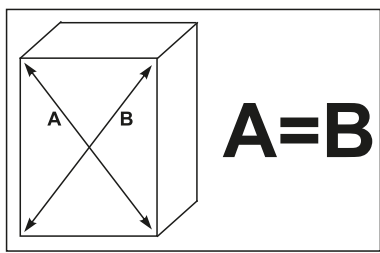


8

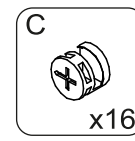
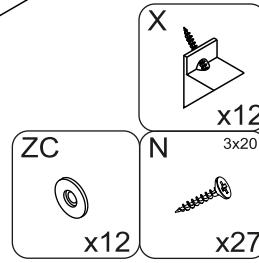
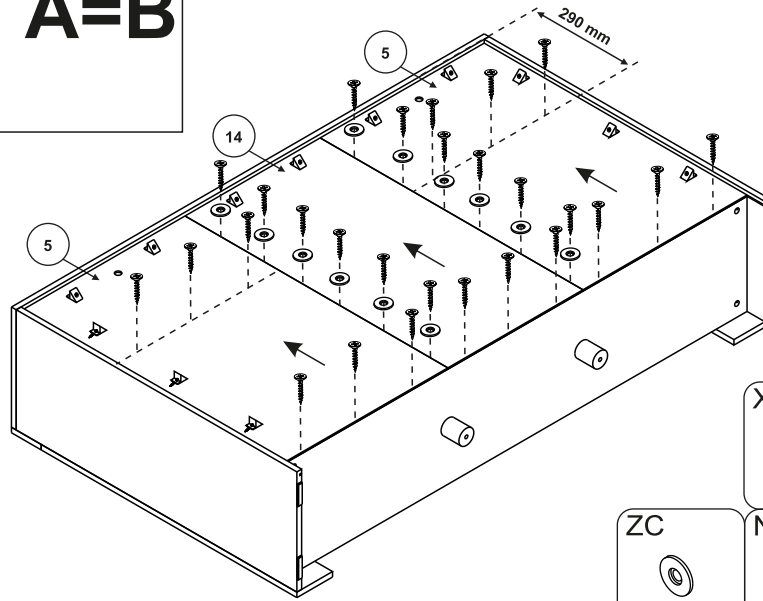


10

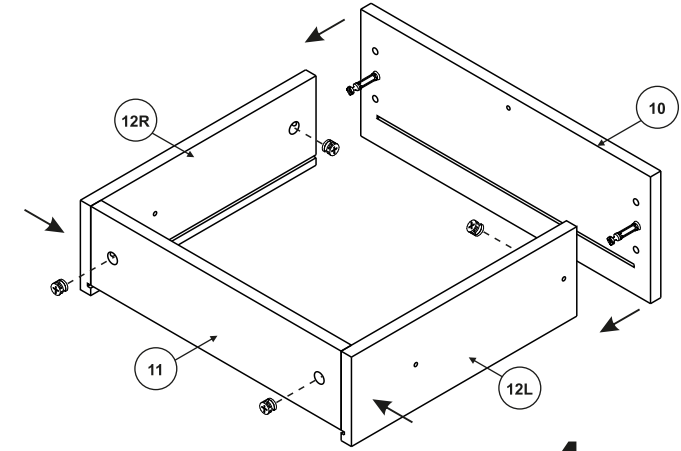




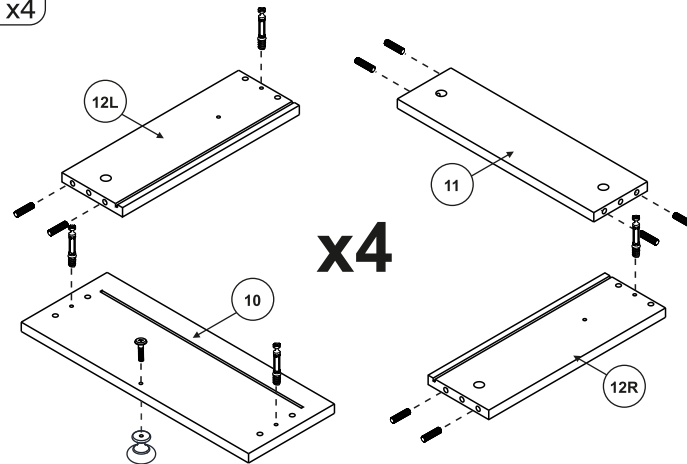
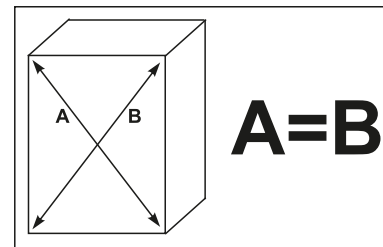
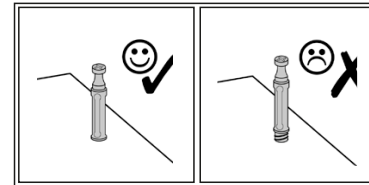
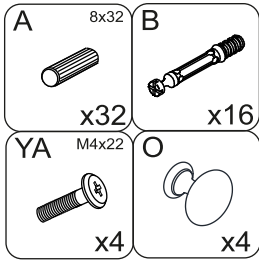
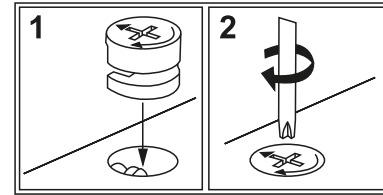
11



13

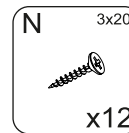


x4

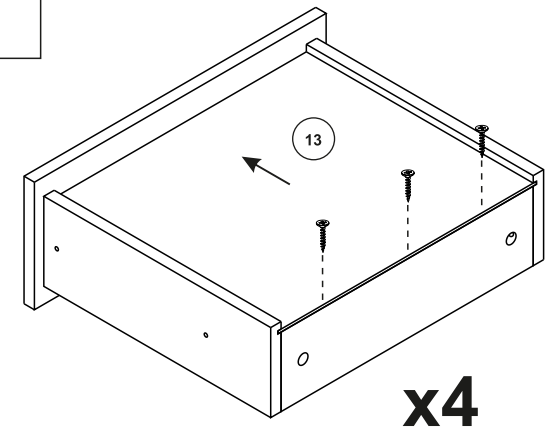


x4

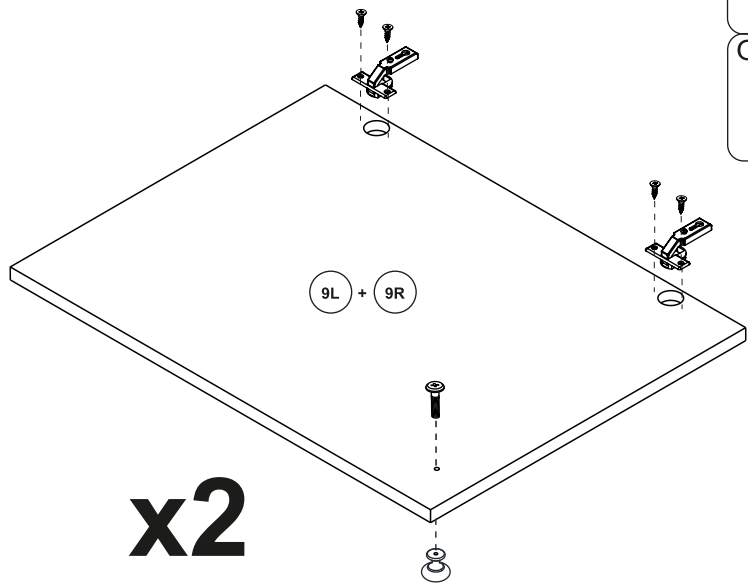
12



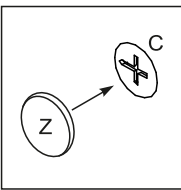
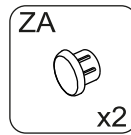
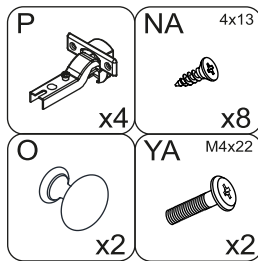
14



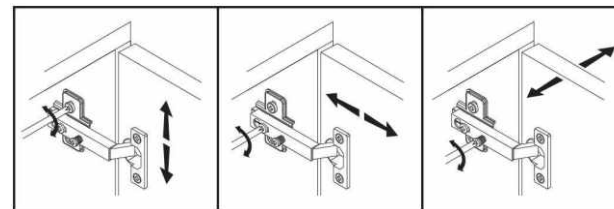
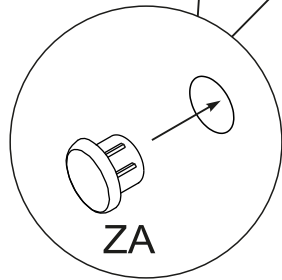
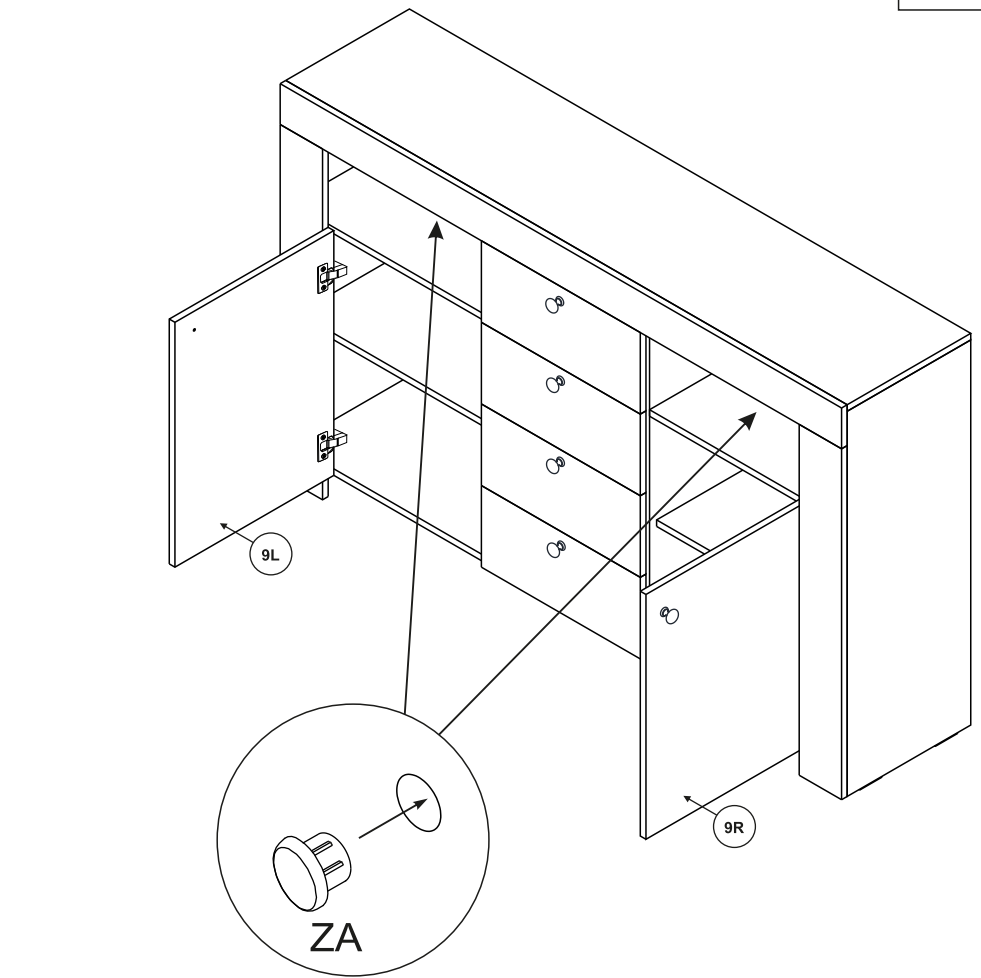
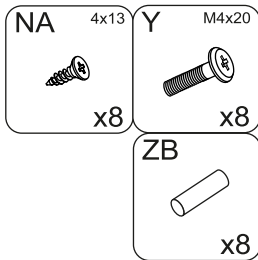
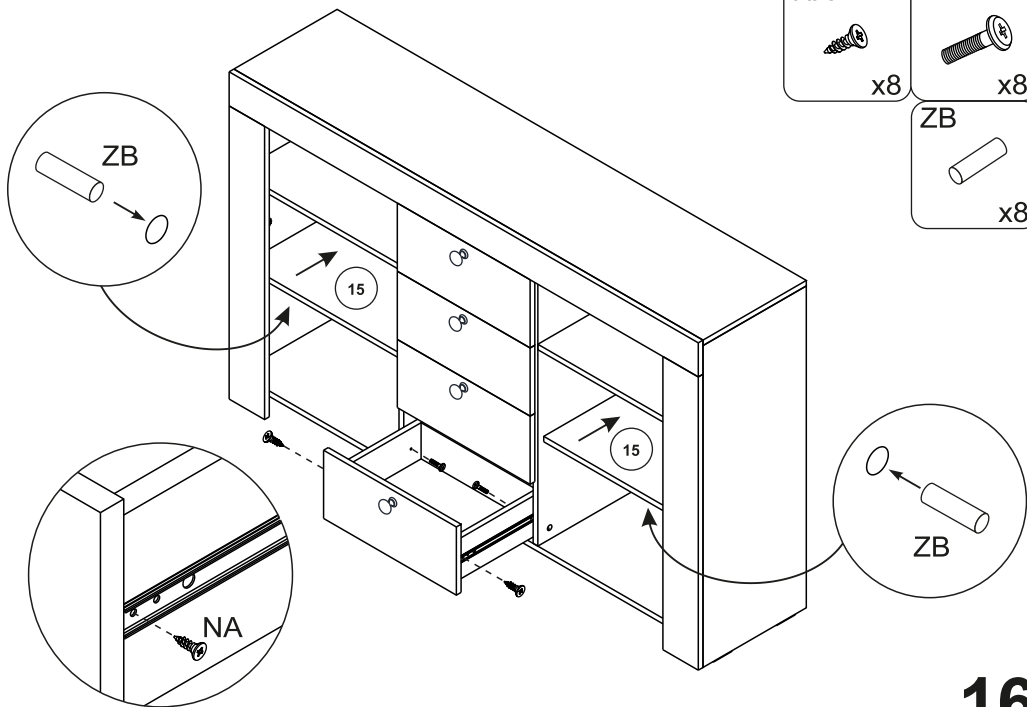
x4



x2



15



16

17