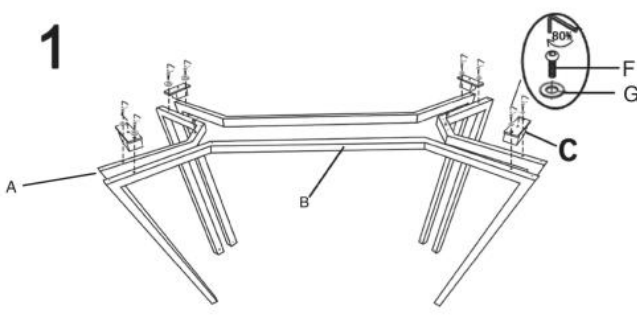
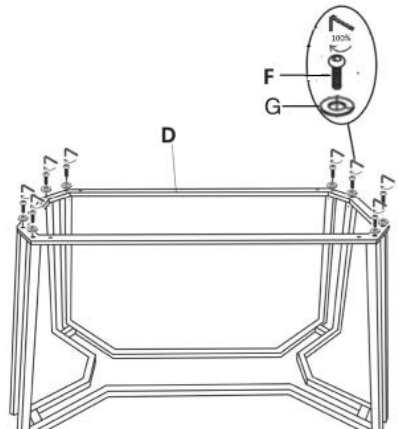






























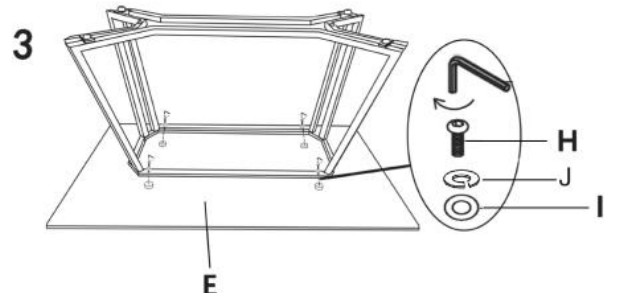
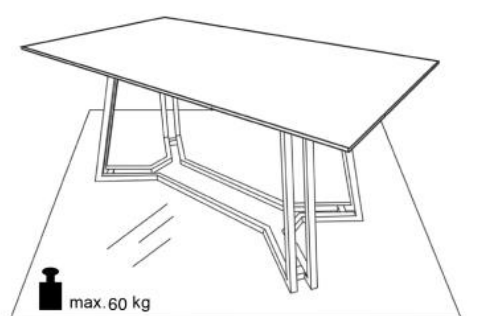


KONAMI

<p>1</p> 	<p>2</p> 	<table border="1"> <tbody> <tr> <td data-bbox="1268 680 1324 784">A</td> <td data-bbox="1324 680 1468 784"></td> <td data-bbox="1468 680 1540 784">X2</td> </tr> <tr> <td data-bbox="1268 784 1324 873">B</td> <td data-bbox="1324 784 1468 873"></td> <td data-bbox="1468 784 1540 873">X2</td> </tr> <tr> <td data-bbox="1268 873 1324 963">C</td> <td data-bbox="1324 873 1468 963"></td> <td data-bbox="1468 873 1540 963">X4</td> </tr> <tr> <td data-bbox="1268 963 1324 1052">D</td> <td data-bbox="1324 963 1468 1052"></td> <td data-bbox="1468 963 1540 1052">X1</td> </tr> <tr> <td data-bbox="1268 1052 1324 1142">E</td> <td data-bbox="1324 1052 1468 1142"></td> <td data-bbox="1468 1052 1540 1142">X1</td> </tr> <tr> <td data-bbox="1268 1142 1324 1220">F</td> <td data-bbox="1324 1142 1468 1220"></td> <td data-bbox="1468 1142 1540 1220">m6x25mmx16</td> </tr> <tr> <td data-bbox="1268 1220 1324 1299">G</td> <td data-bbox="1324 1220 1468 1299"></td> <td data-bbox="1468 1220 1540 1299">φ6xφ16x16</td> </tr> <tr> <td data-bbox="1268 1299 1324 1377">H</td> <td data-bbox="1324 1299 1468 1377"></td> <td data-bbox="1468 1299 1540 1377">m8x25mmx4</td> </tr> <tr> <td data-bbox="1268 1377 1324 1456">I</td> <td data-bbox="1324 1377 1468 1456"></td> <td data-bbox="1468 1377 1540 1456">φ8xφ16x4</td> </tr> <tr> <td data-bbox="1268 1456 1324 1518">J</td> <td data-bbox="1324 1456 1468 1518"></td> <td data-bbox="1468 1456 1540 1518"></td> </tr> </tbody> </table>	A		X2	B		X2	C		X4	D		X1	E		X1	F		m6x25mmx16	G		φ6xφ16x16	H		m8x25mmx4	I		φ8xφ16x4	J		
A		X2																														
B		X2																														
C		X4																														
D		X1																														
E		X1																														
F		m6x25mmx16																														
G		φ6xφ16x16																														
H		m8x25mmx4																														
I		φ8xφ16x4																														
J																																
<p>3</p> 	 <p>max.60 kg</p>																															

HALMAR Sp. z o.o.
 ul. Centralnego Okręgu Przemysłowego 2, 37-450 Stalowa Wola, POLSKA / POLAND
 tel. +48 15 843 28 10, fax: +48 15 842 19 57, e-mail: office@halmar.com.pl

NOWOŚĆ