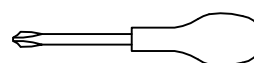
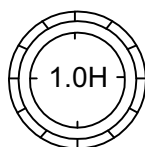
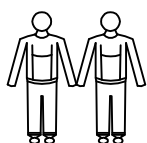
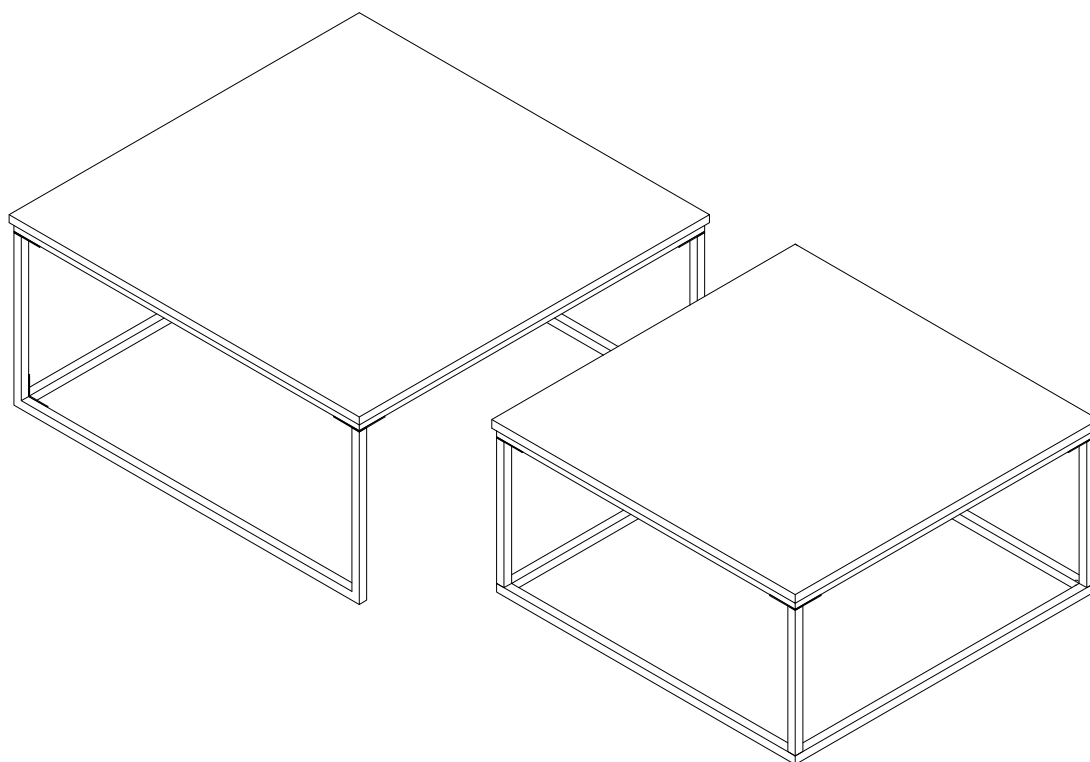
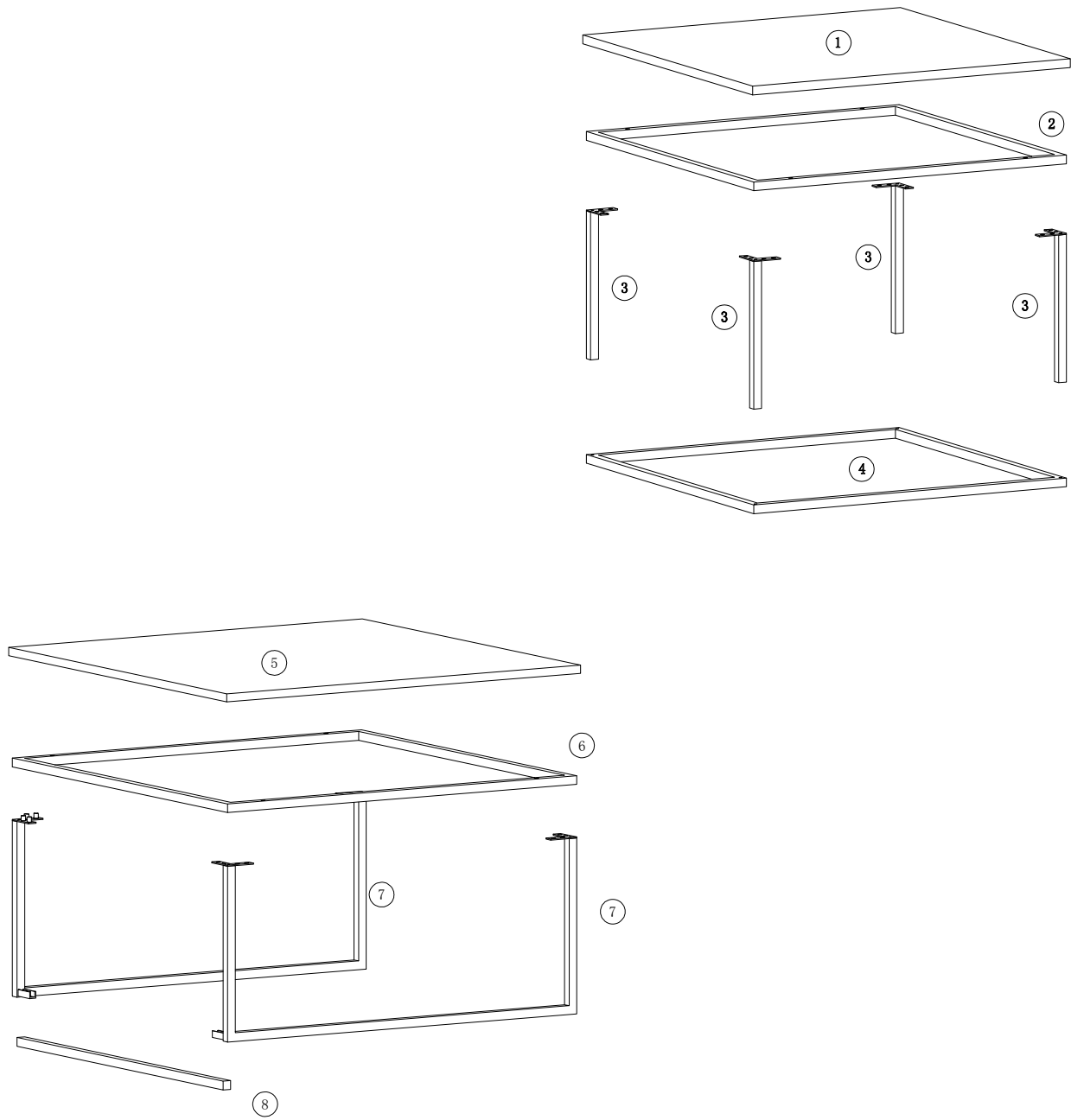


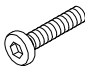




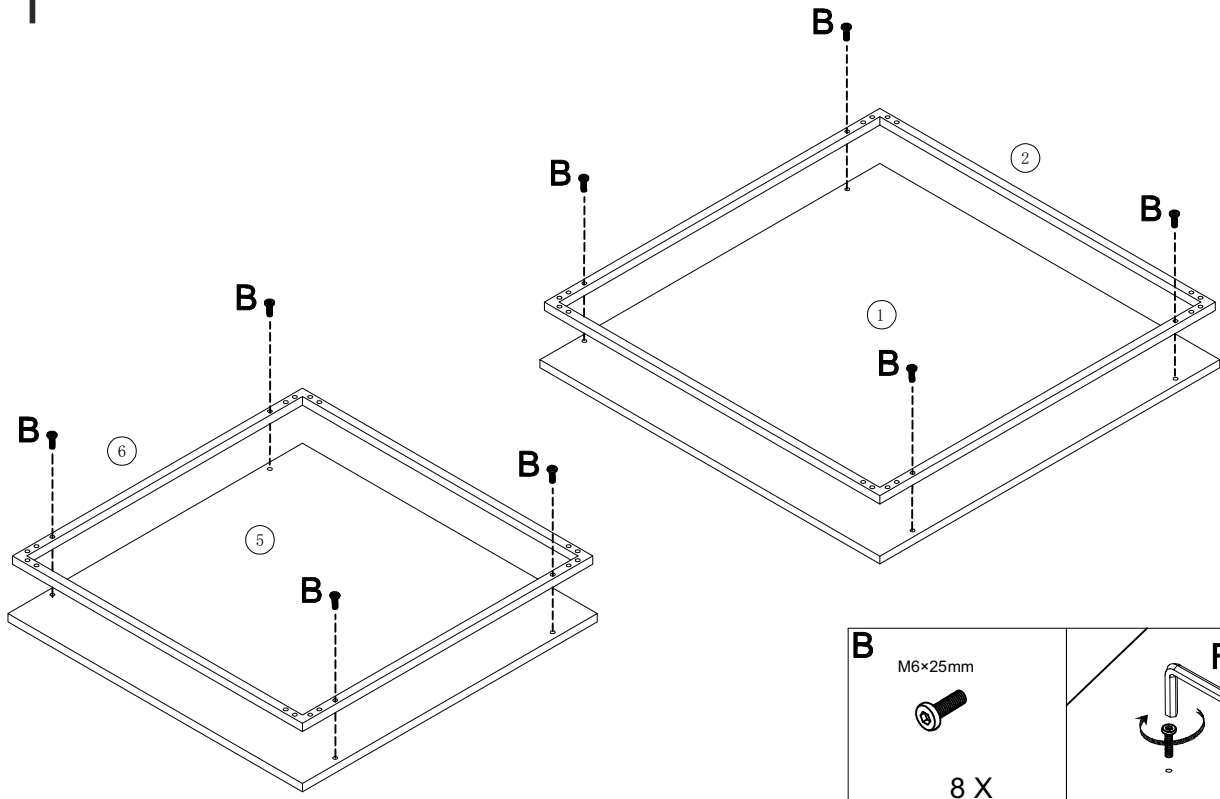
KASTLER



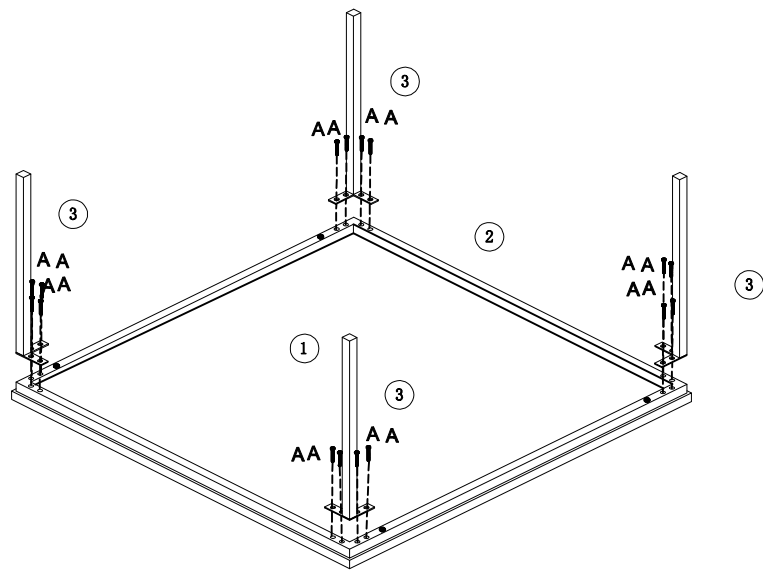


<p>A M6×12mm</p>  <p>36 X</p>	<p>B M6×25mm</p>  <p>8 X</p>	<p>C M6×35</p>  <p>4 X</p>	<p>D</p>  <p>8 X</p>	<p>F 4mm</p>  <p>1 X</p>
---	--	--	--	--

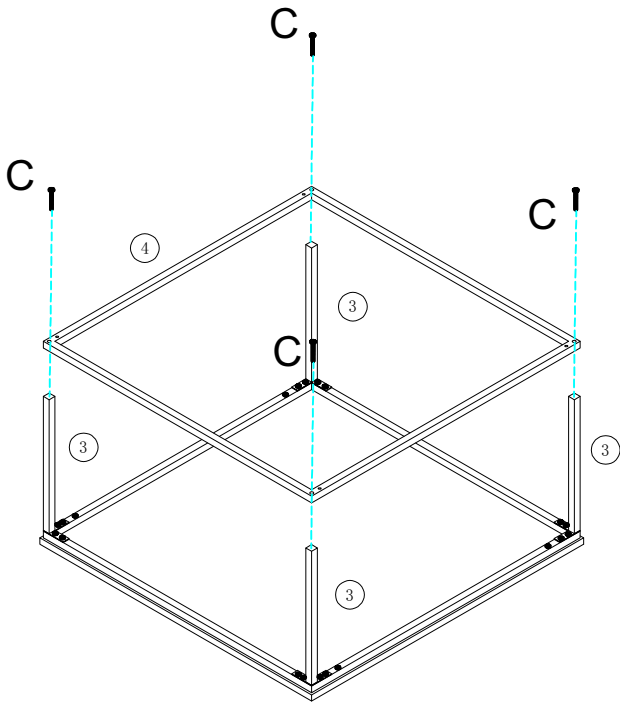
1


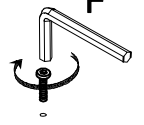


2

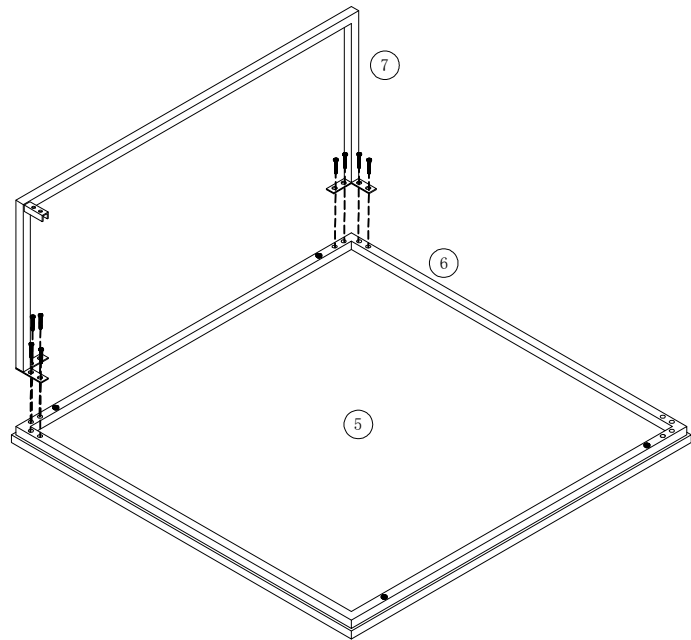



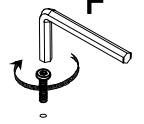
3



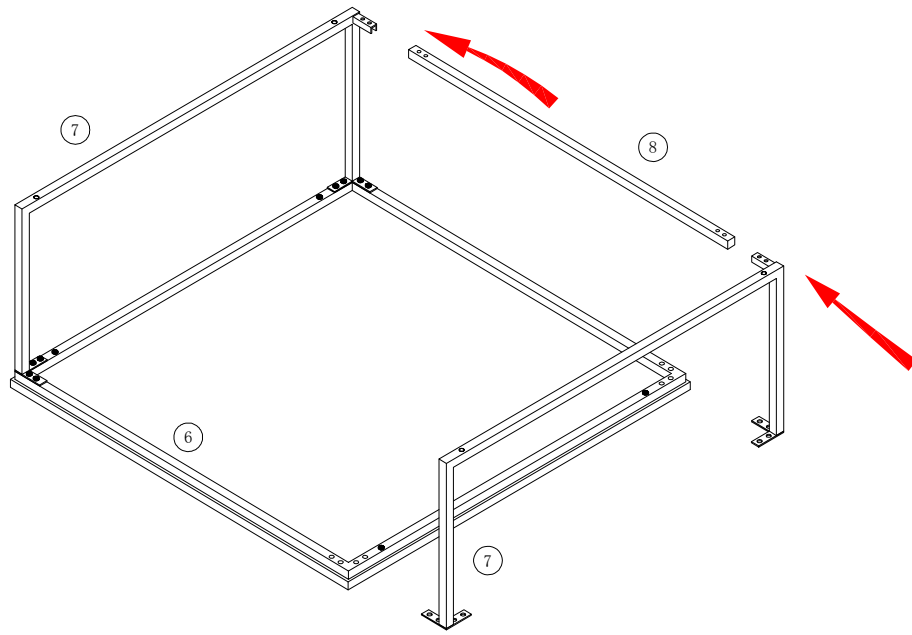
C M6*35  4 X	 F
---	---

4

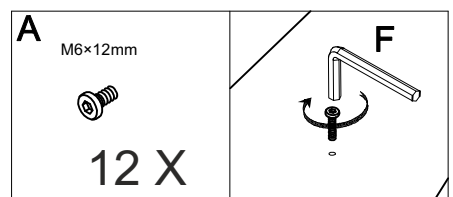
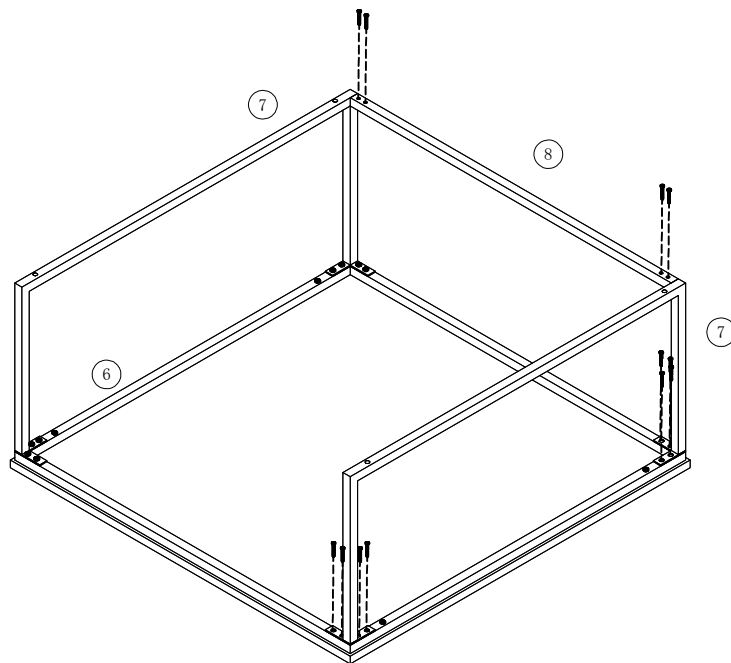


A M6*12mm  8 X	 F
---	---

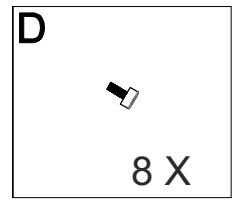
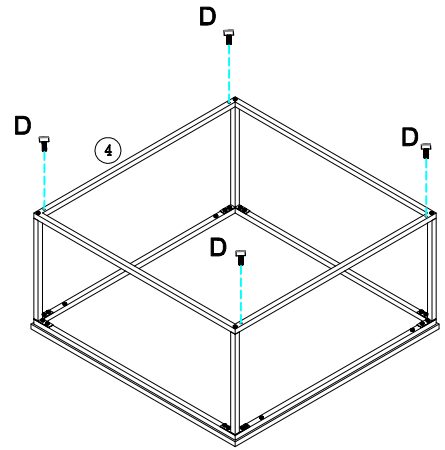
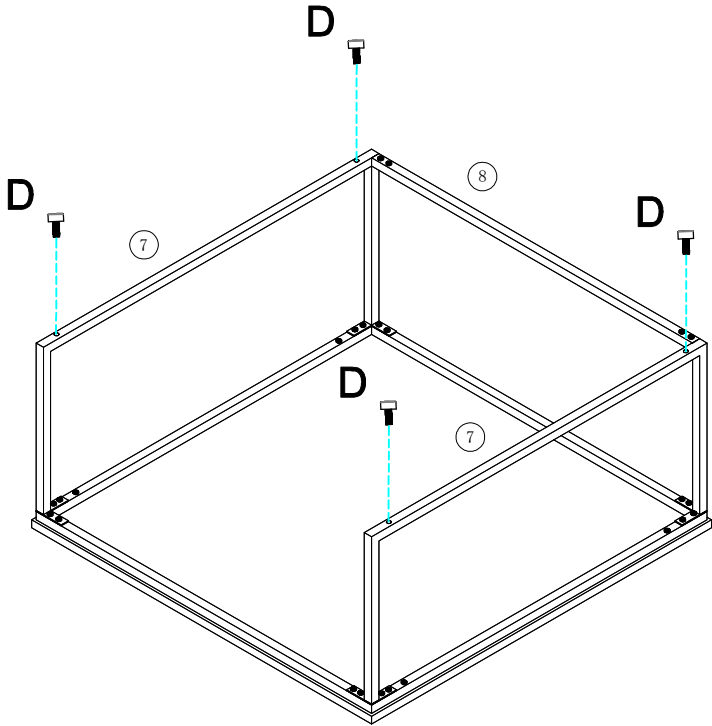
5



6



7



8

