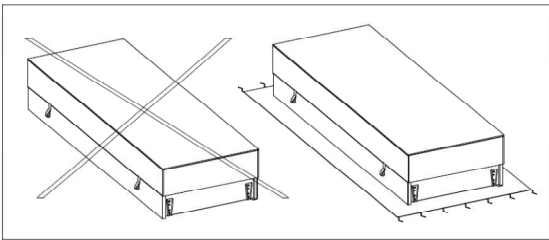


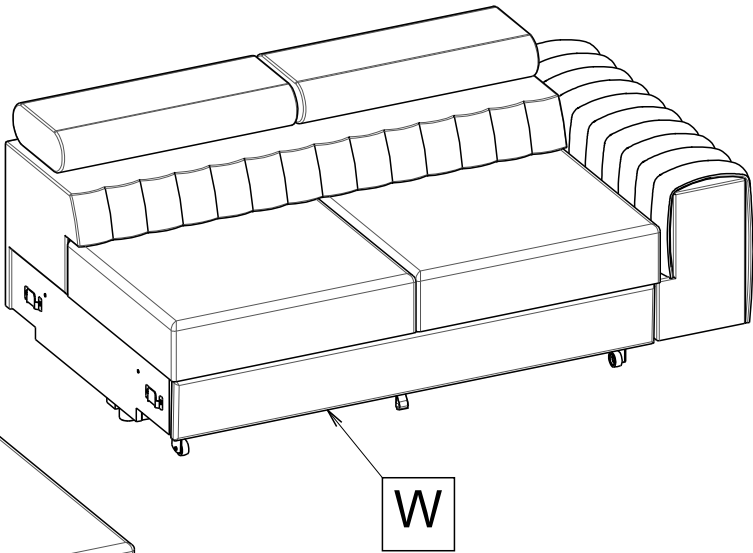
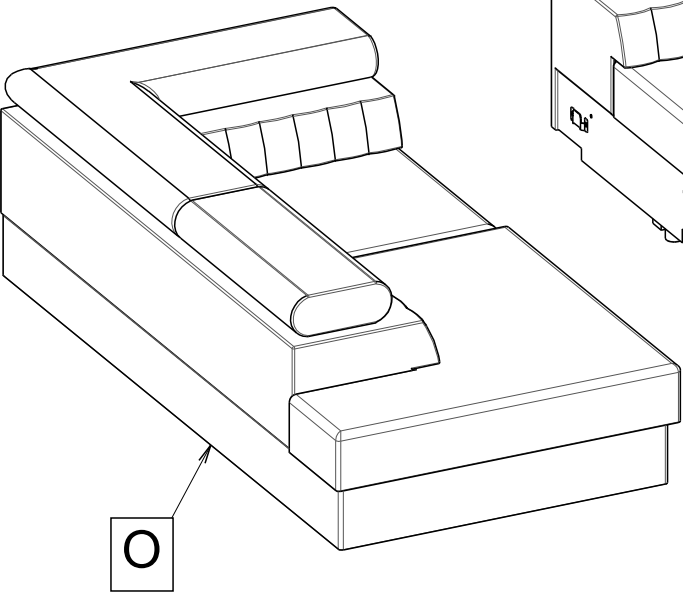
25min

1/8

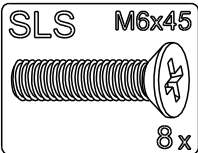
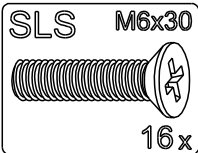
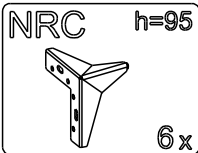
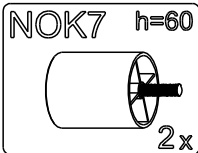
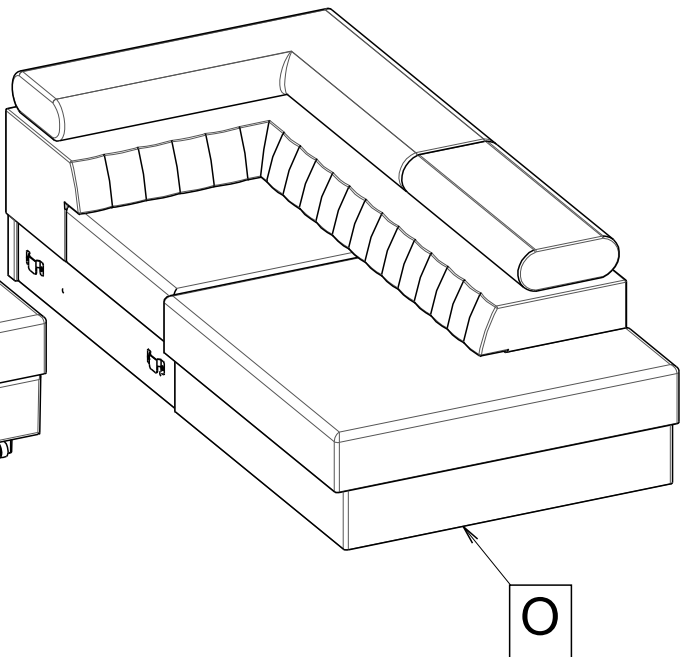
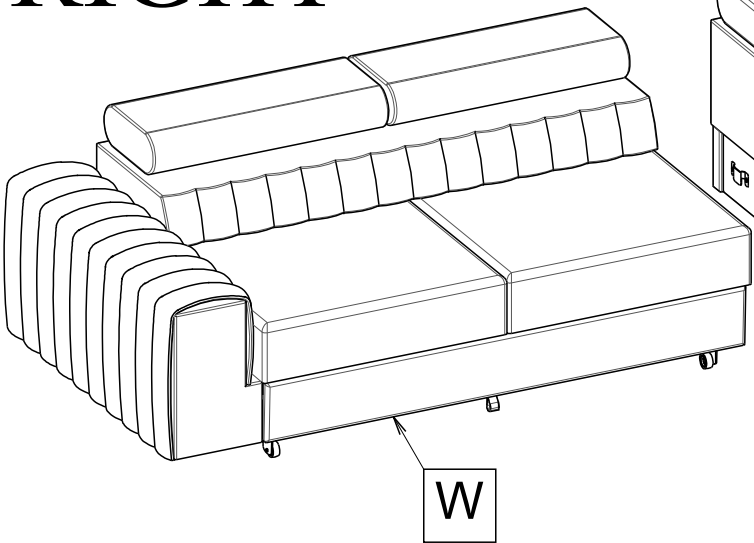


O	1x
W	1x

LEFT

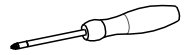
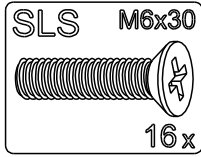
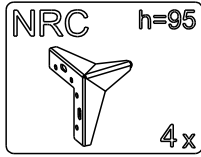


RIGHT



LEFT

1



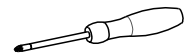
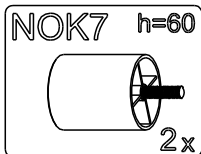
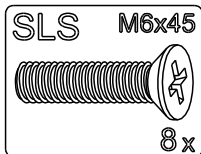
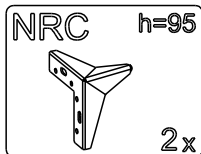
4x

SLS M6x30

NRC

O

2



2x

NRC

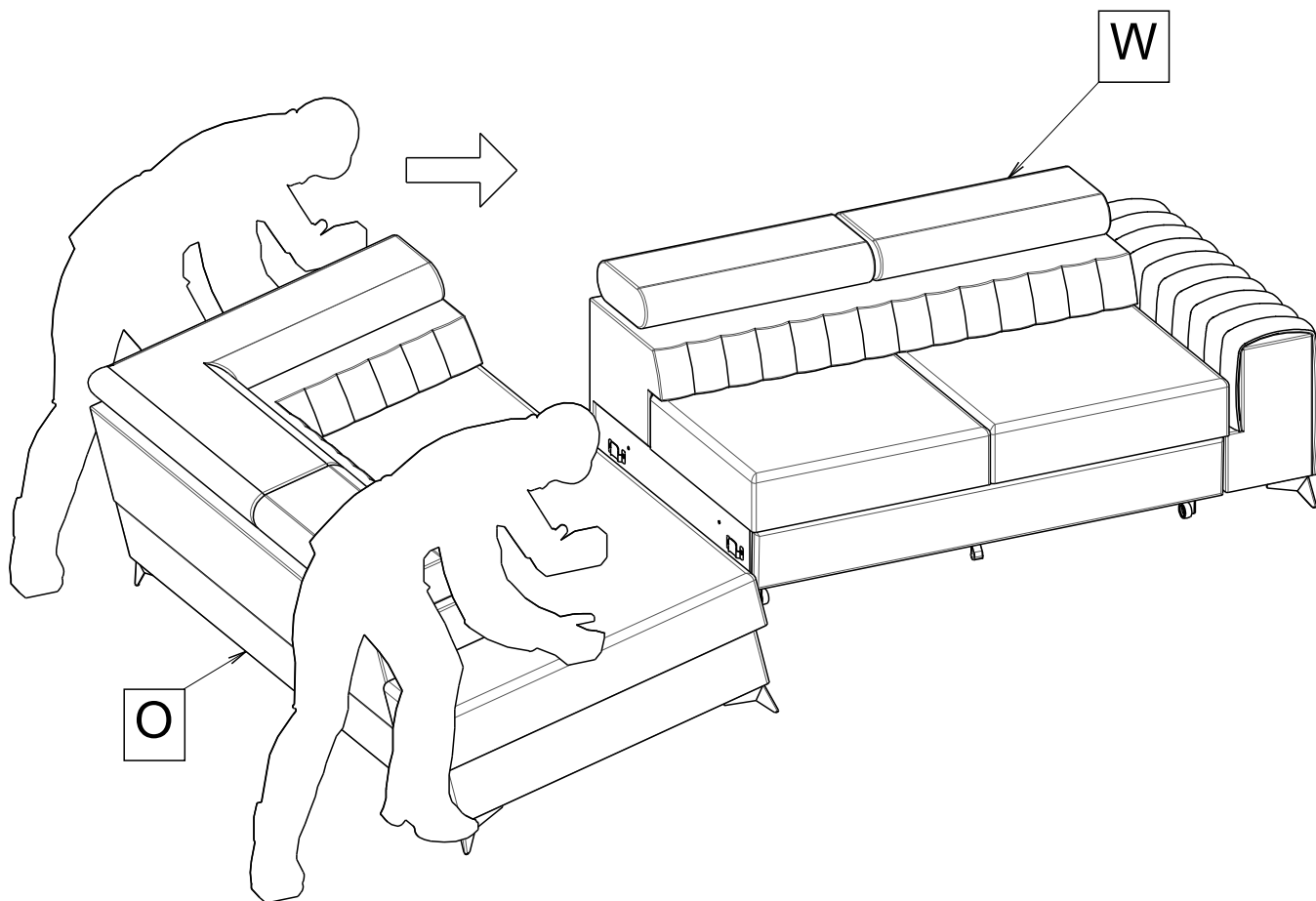
2x

SLS M6x45

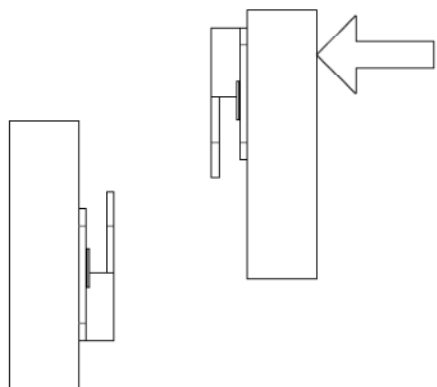
NOK7

W

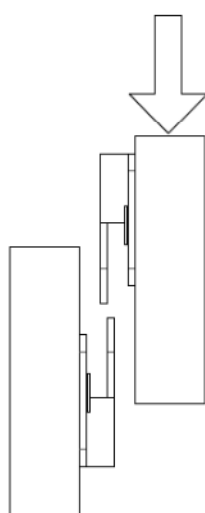
3



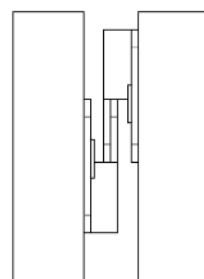
1)



2)

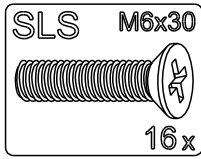
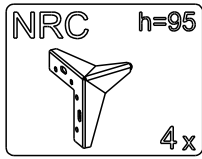


3)



RIGHT

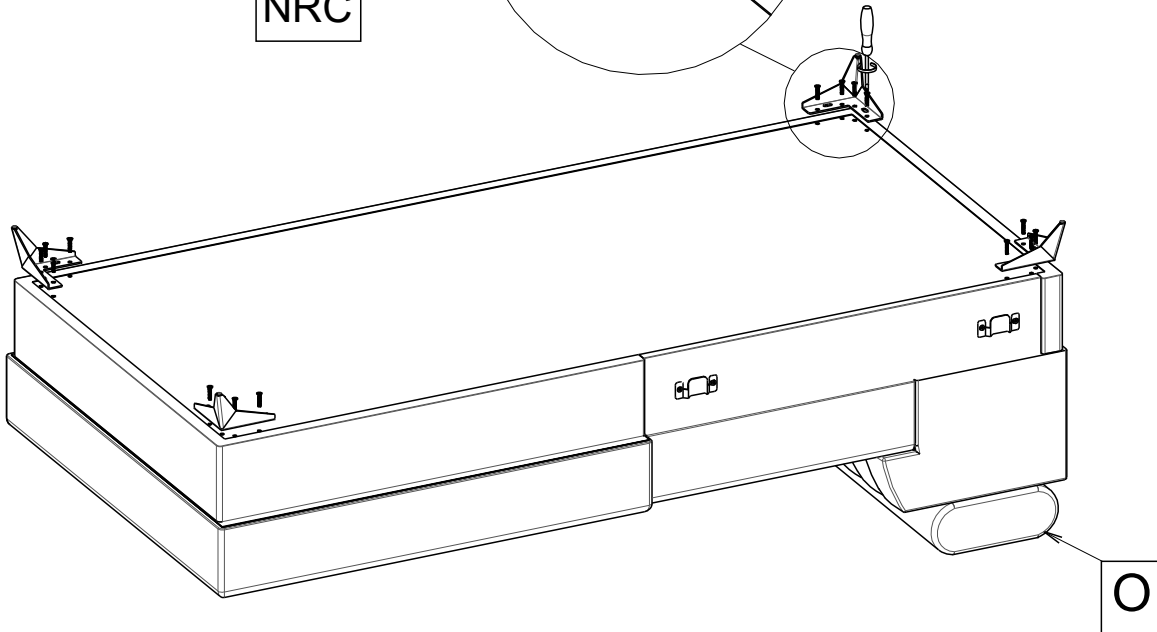
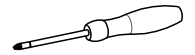
1



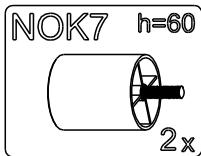
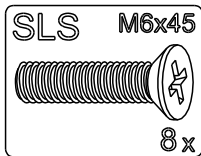
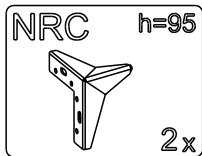
4x

SLS M6x30

NRC



2

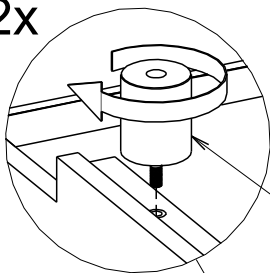


2x

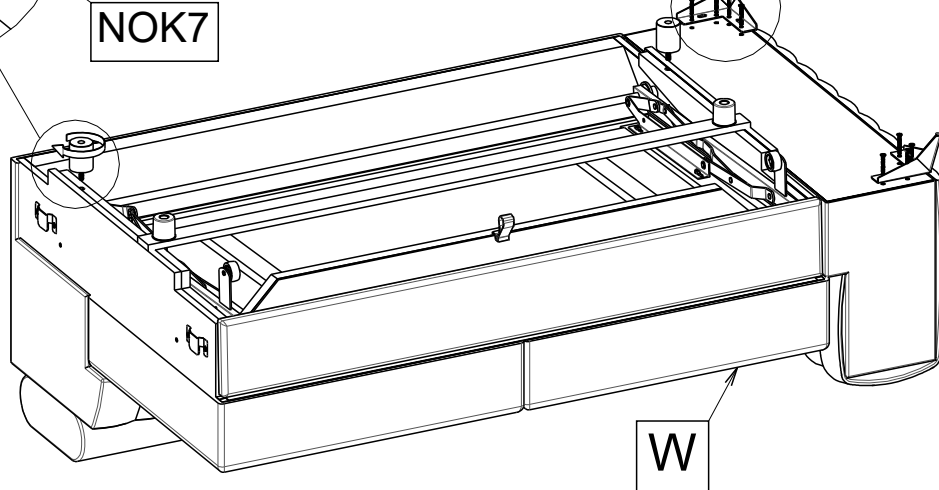
SLS M6x45

NRC

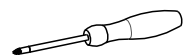
2x



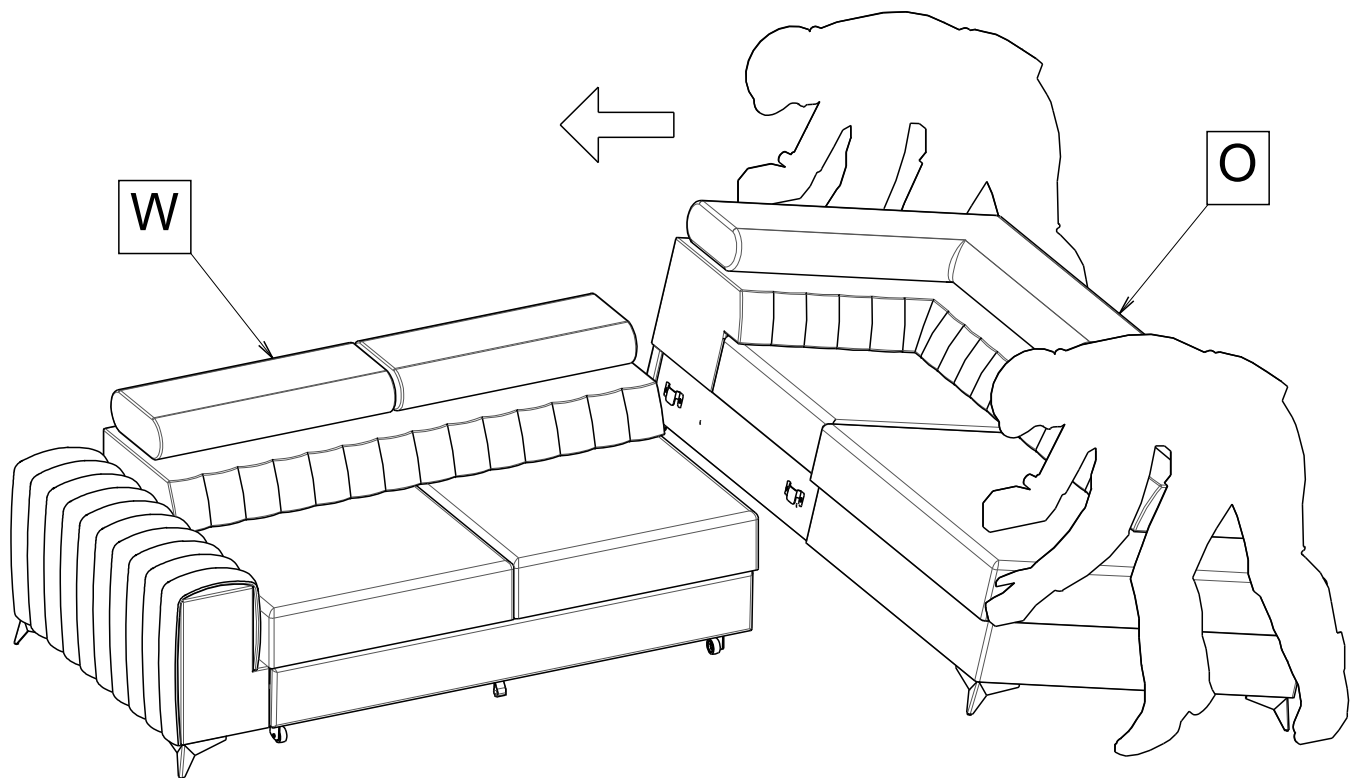
NOK7



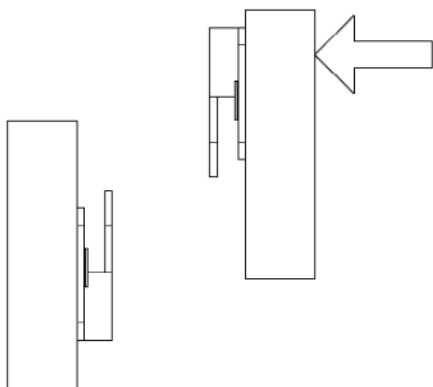
W



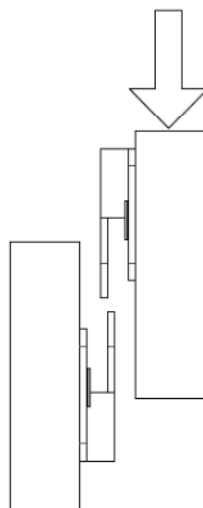
3



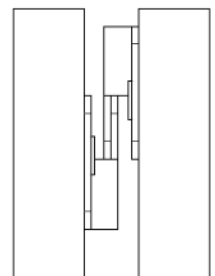
1)



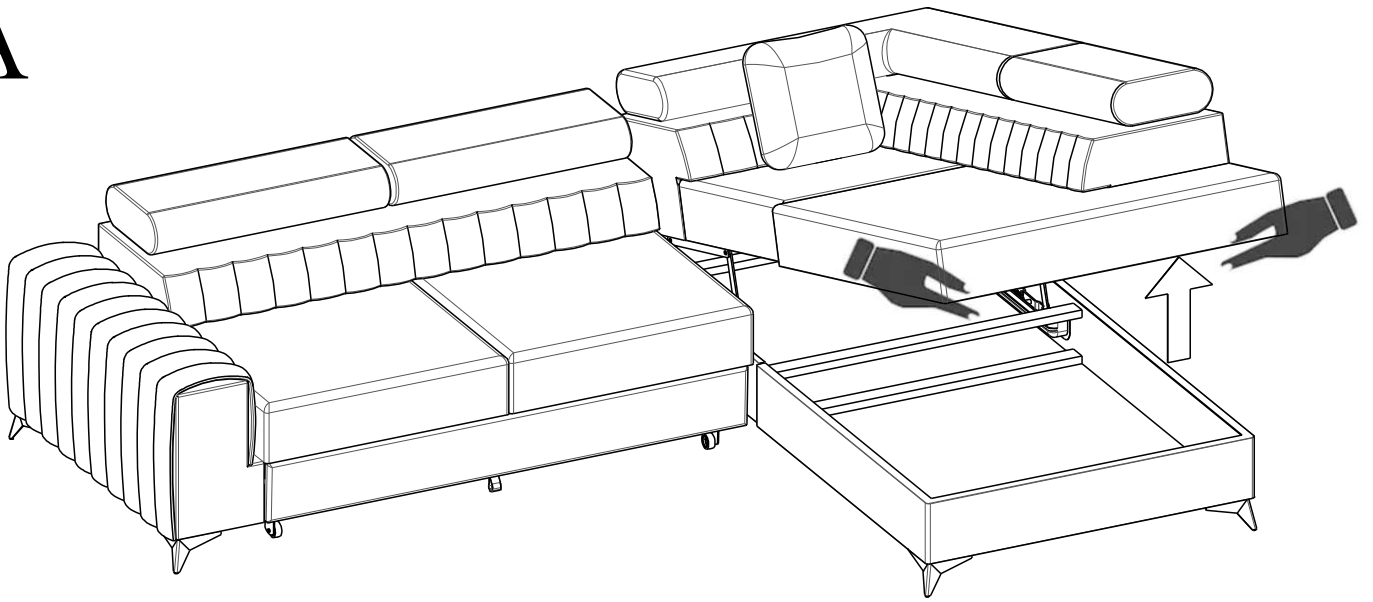
2)



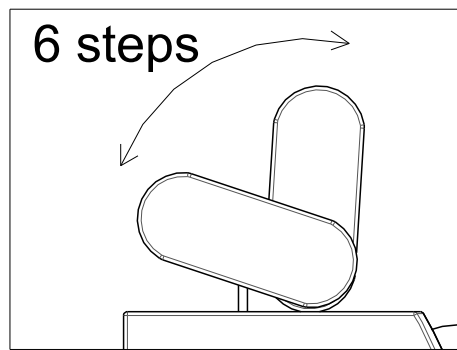
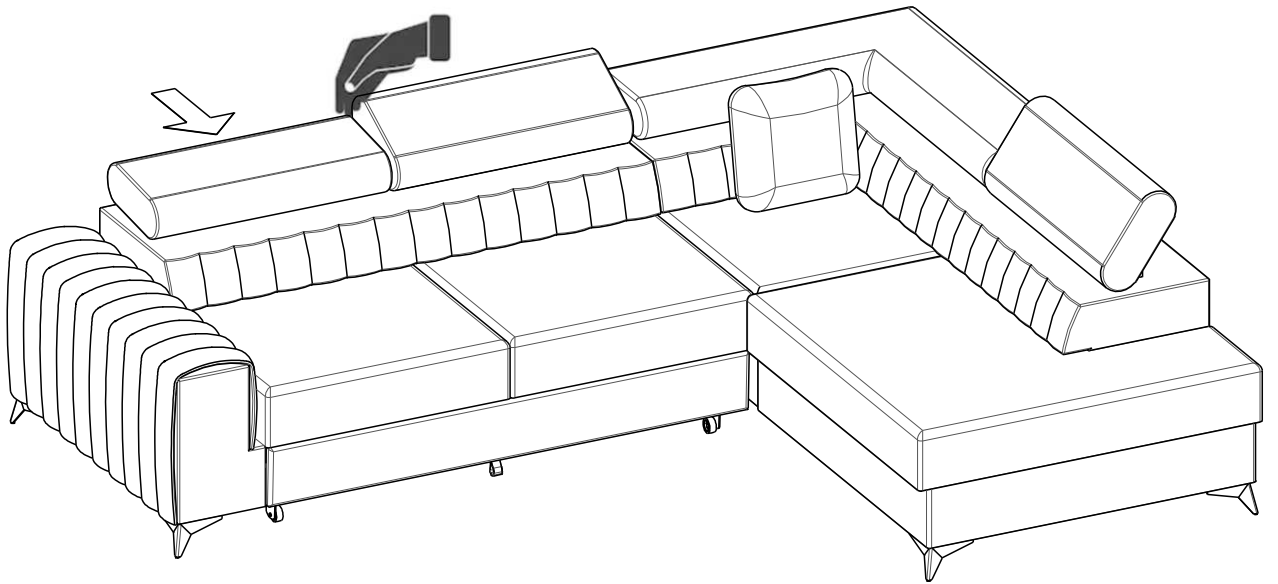
3)



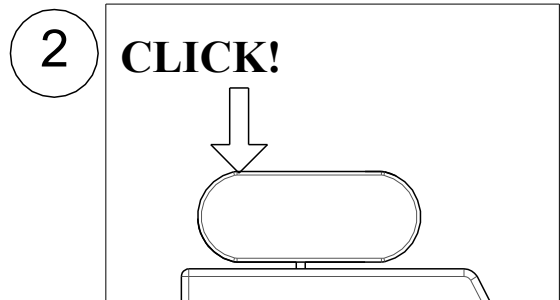
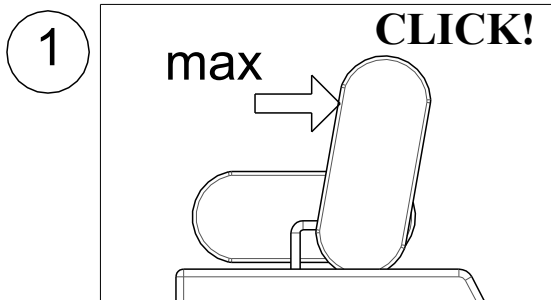
A



B



CLOSING



C

