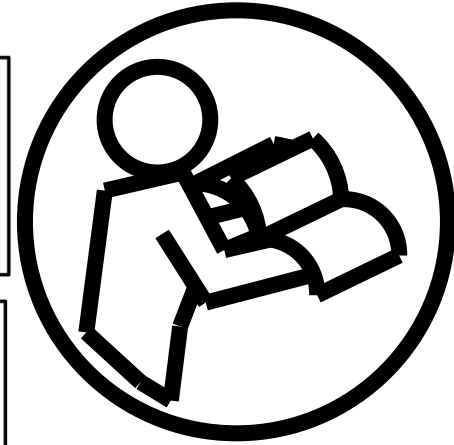
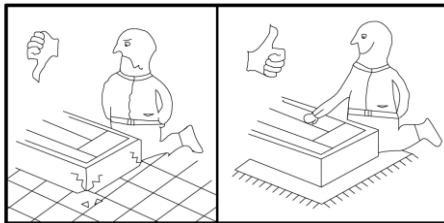
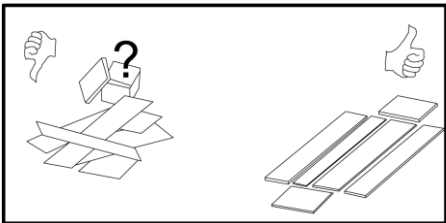
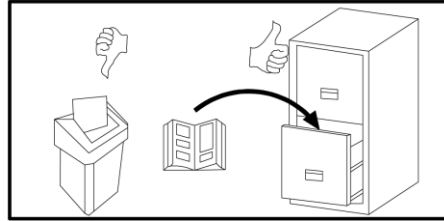
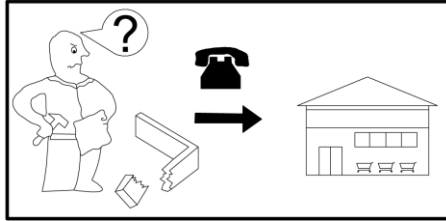
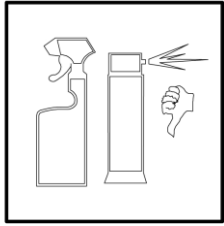
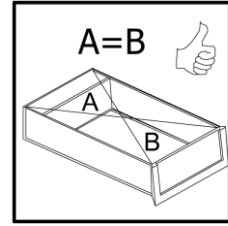
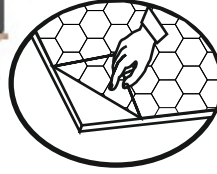
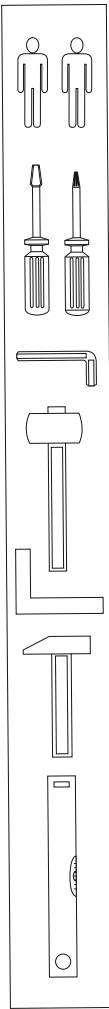


# LEGG 4 4D4S



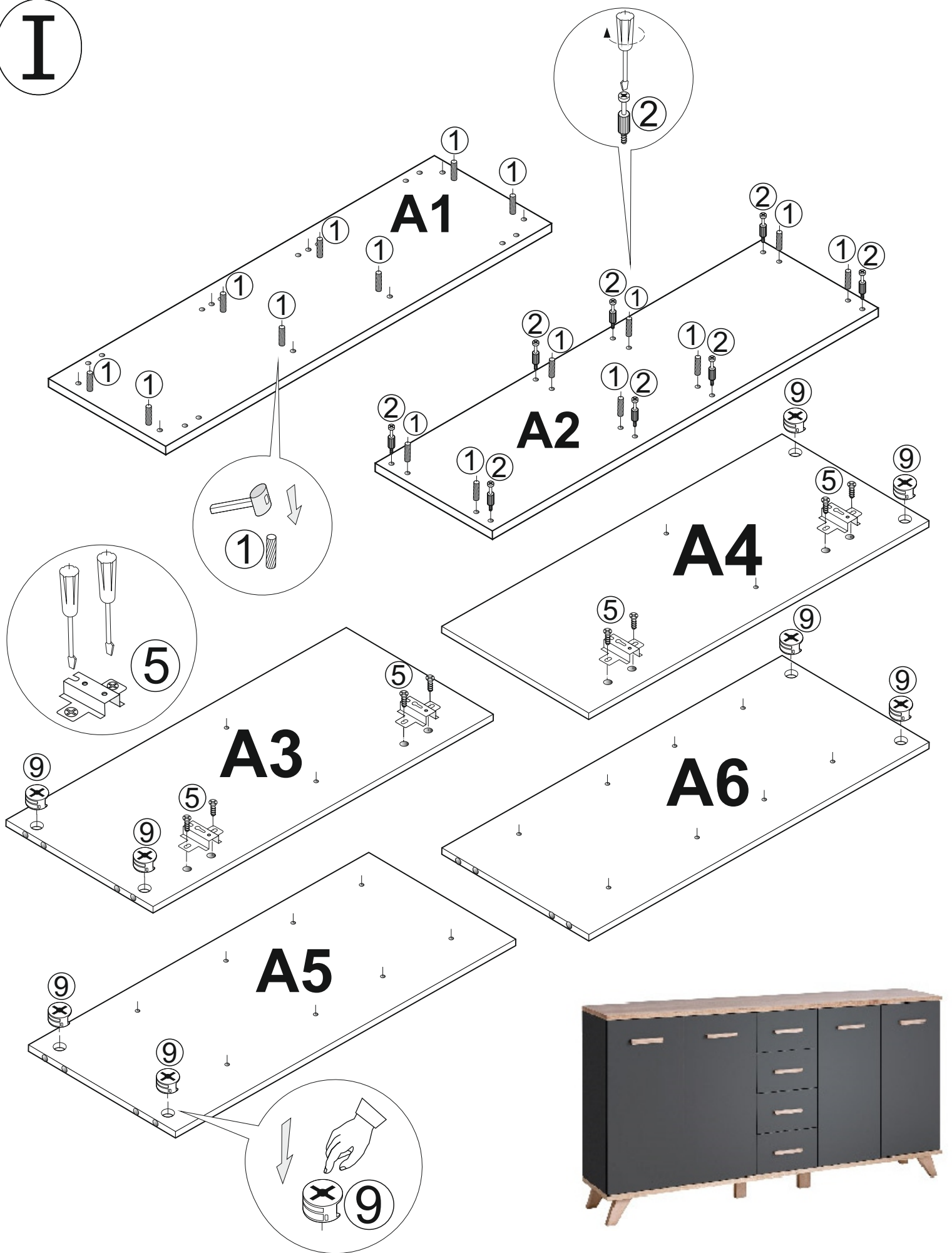
1	8x35	<u>X 16</u>
2		<u>X 16</u>
3		<u>X 8</u>
4	3.5x25	<u>X 16</u>
5		<u>X 4</u>
6	5x11	<u>X 28</u>
35		<u>X 12</u>
29		<u>X 4</u>
38		<u>X 4</u>

41		<u>X 2</u>
24		<u>X 8</u>
13		<u>X 12</u>
26		<u>X 1</u>
39	3x20	<u>X 16</u>
9		<u>X 8</u>
9A		<u>X 8</u>
25	M4 X 9	<u>X 8</u>

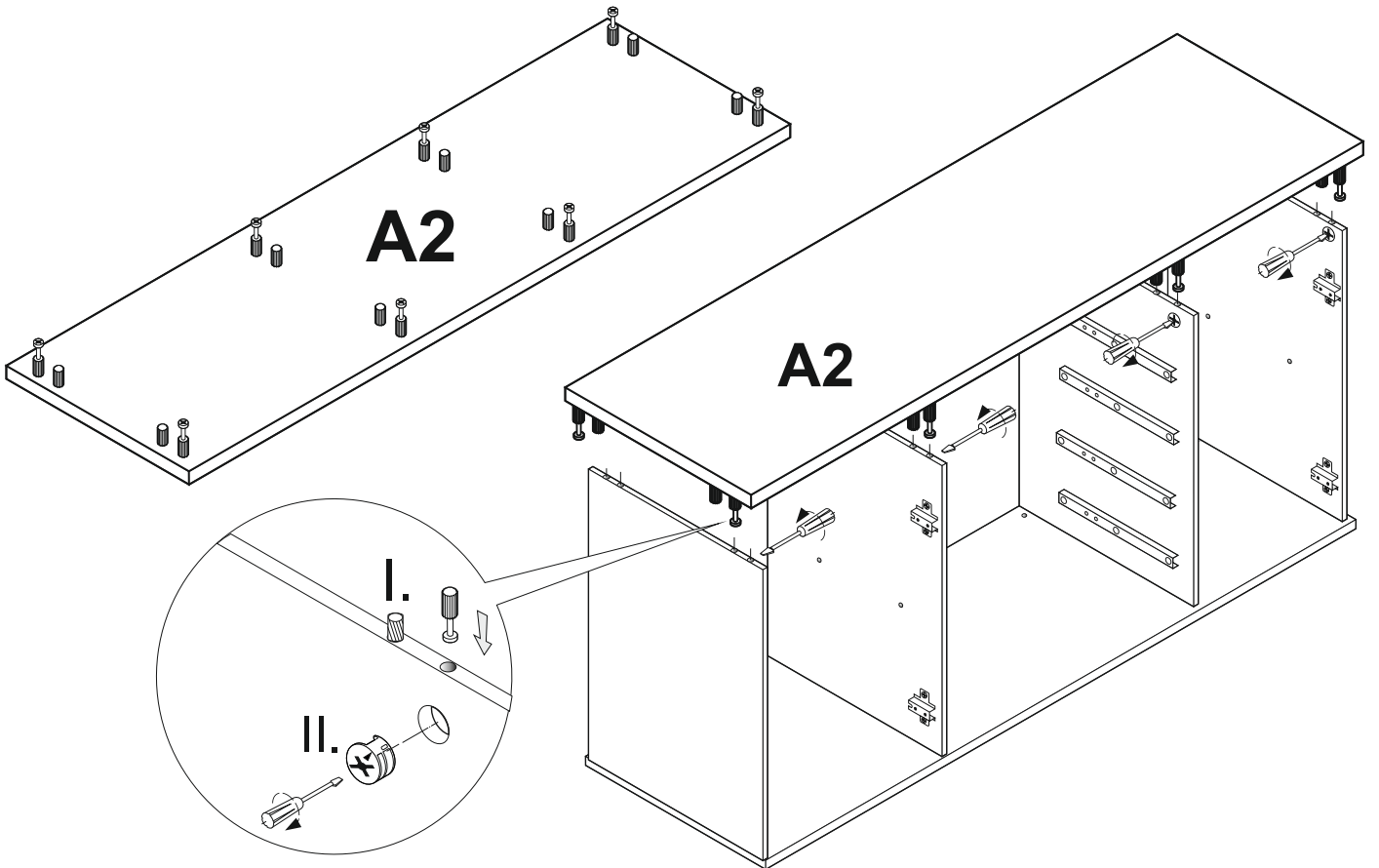
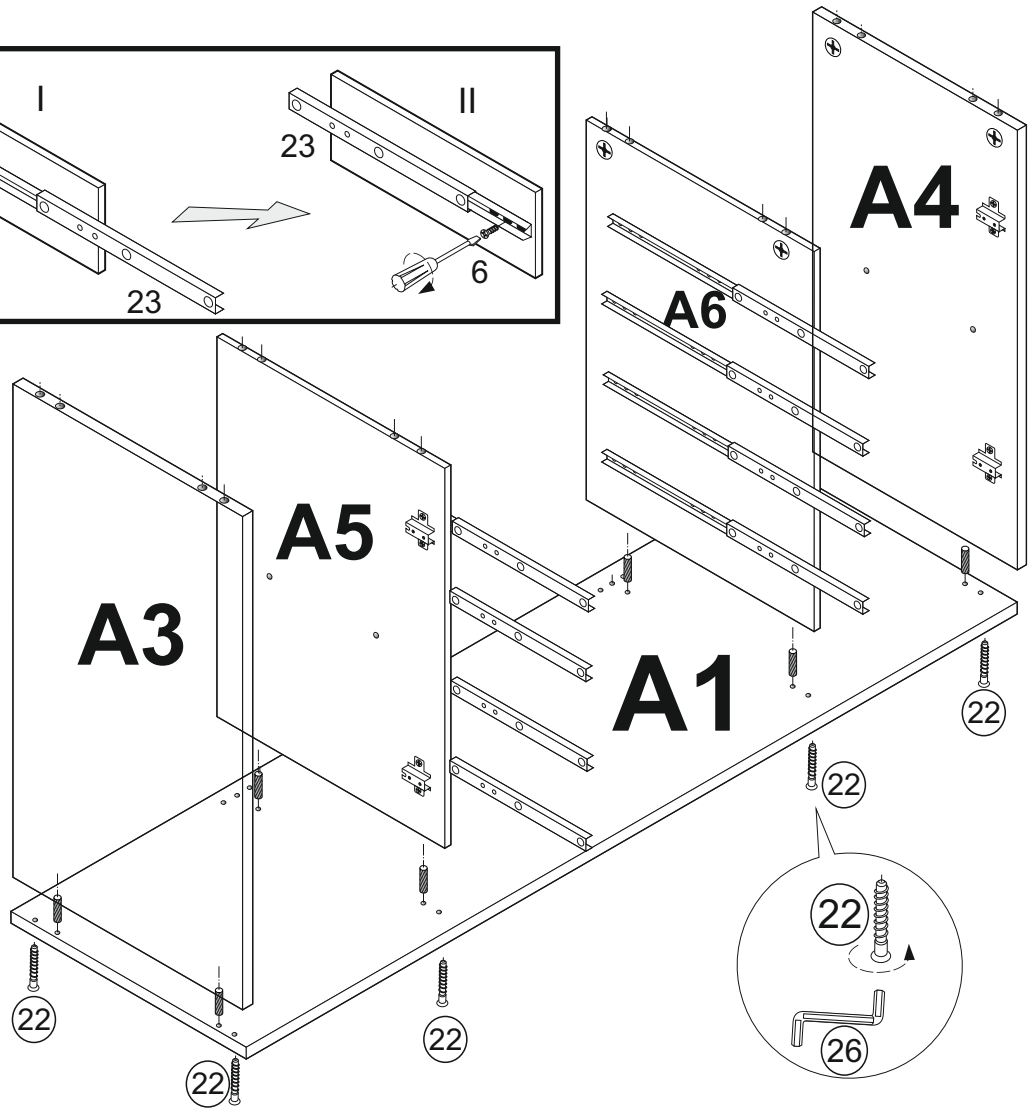
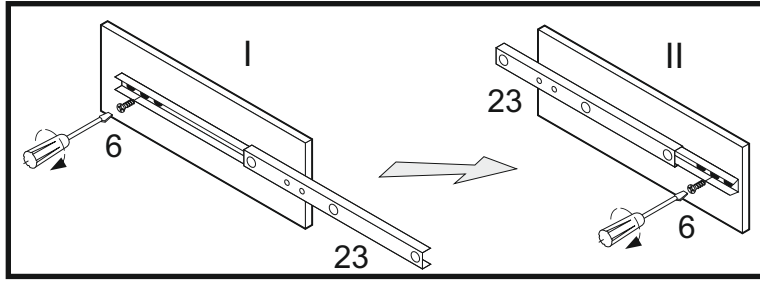
10B		<u>X 4</u>
10C		<u>X 2</u>
80		<u>X 2</u>
4A	4x16	<u>X 2</u>
22		<u>X 32</u>
22A		<u>X 32</u>
12		<u>X 80</u>
23		<u>X 8</u>



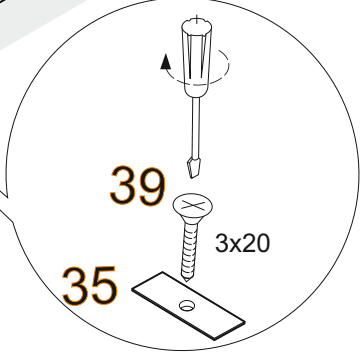
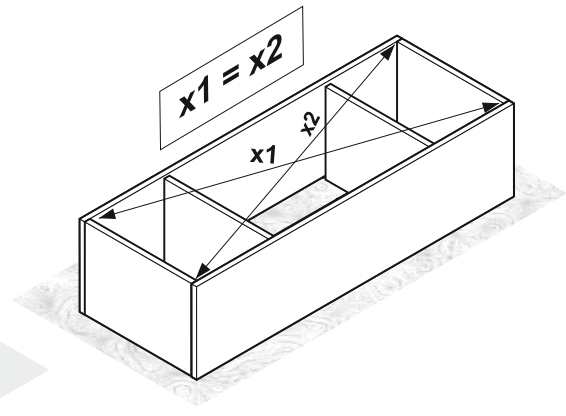
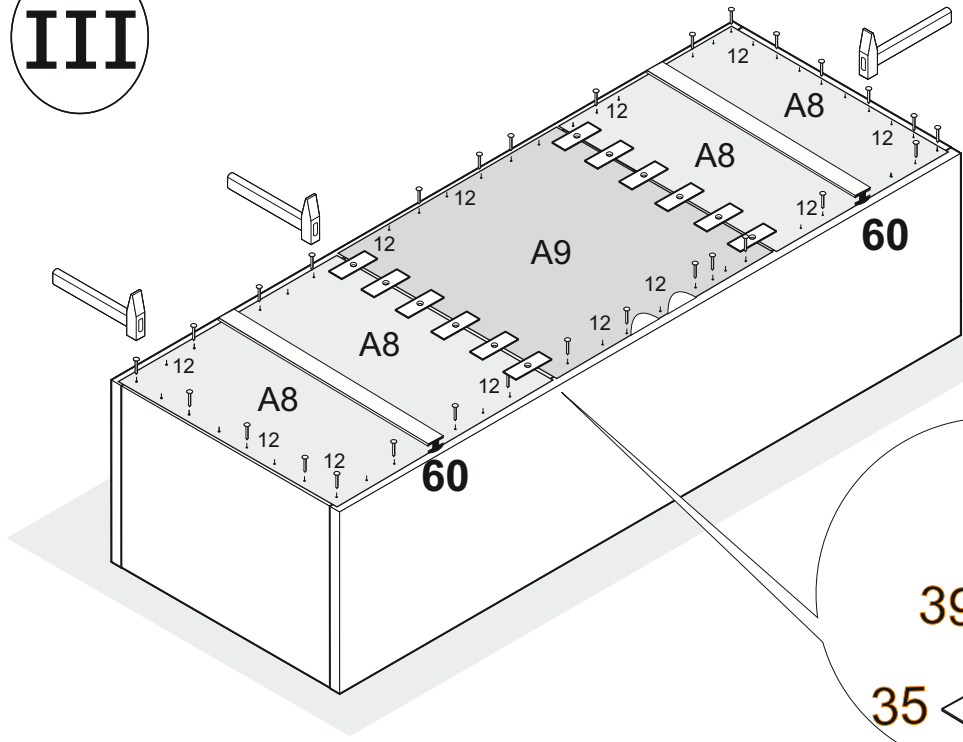
# I



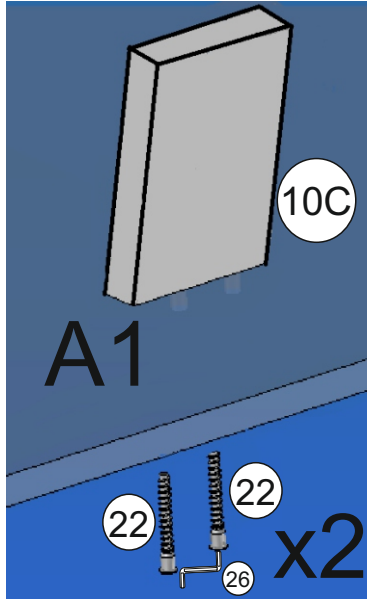
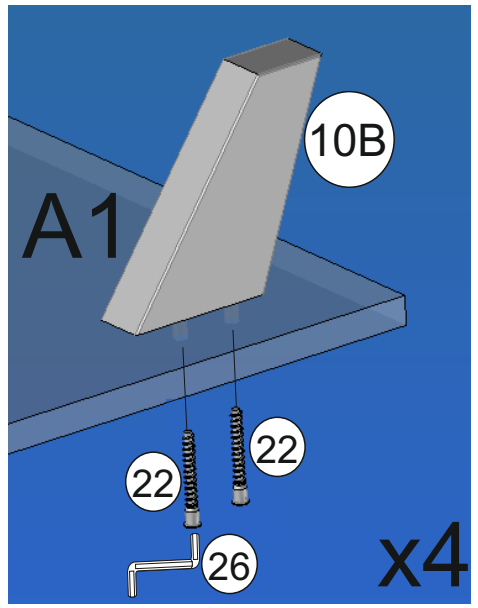
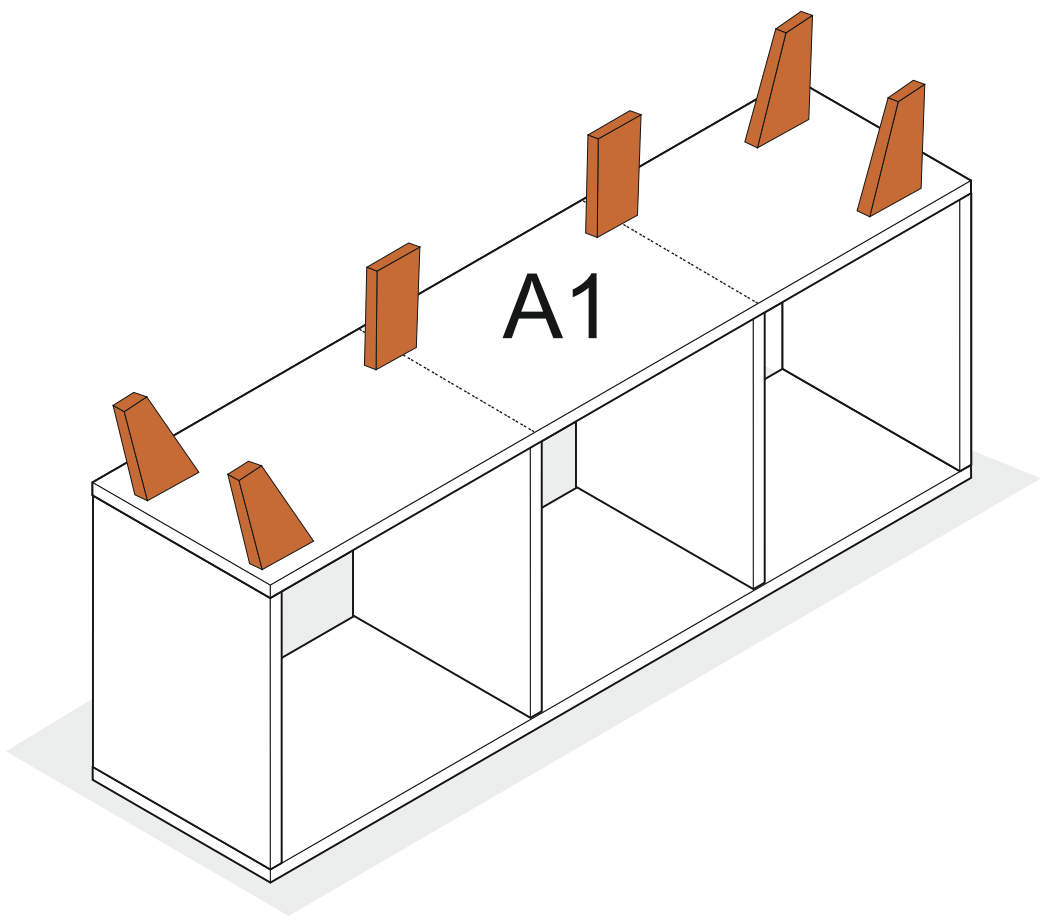
# II



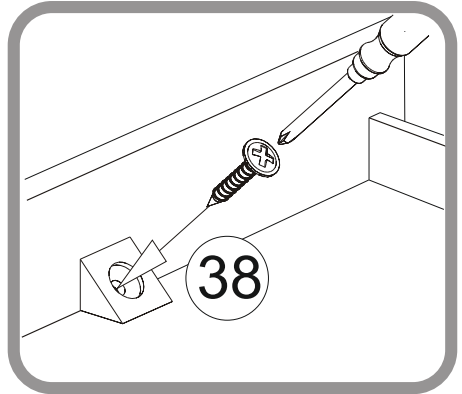
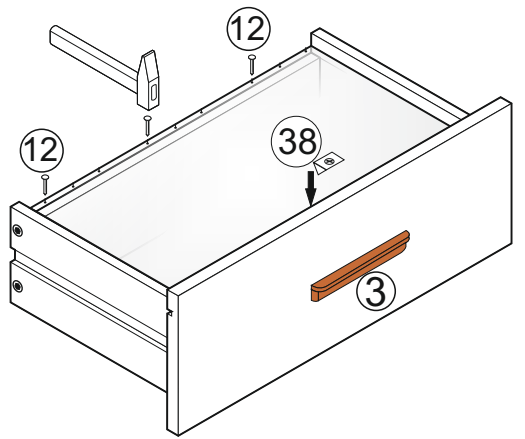
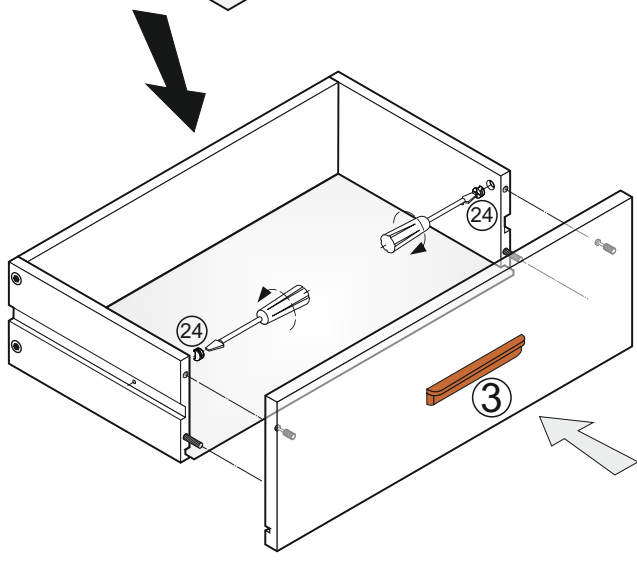
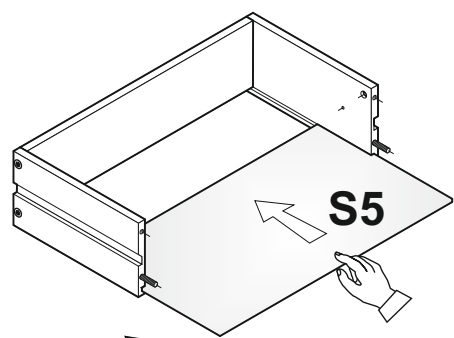
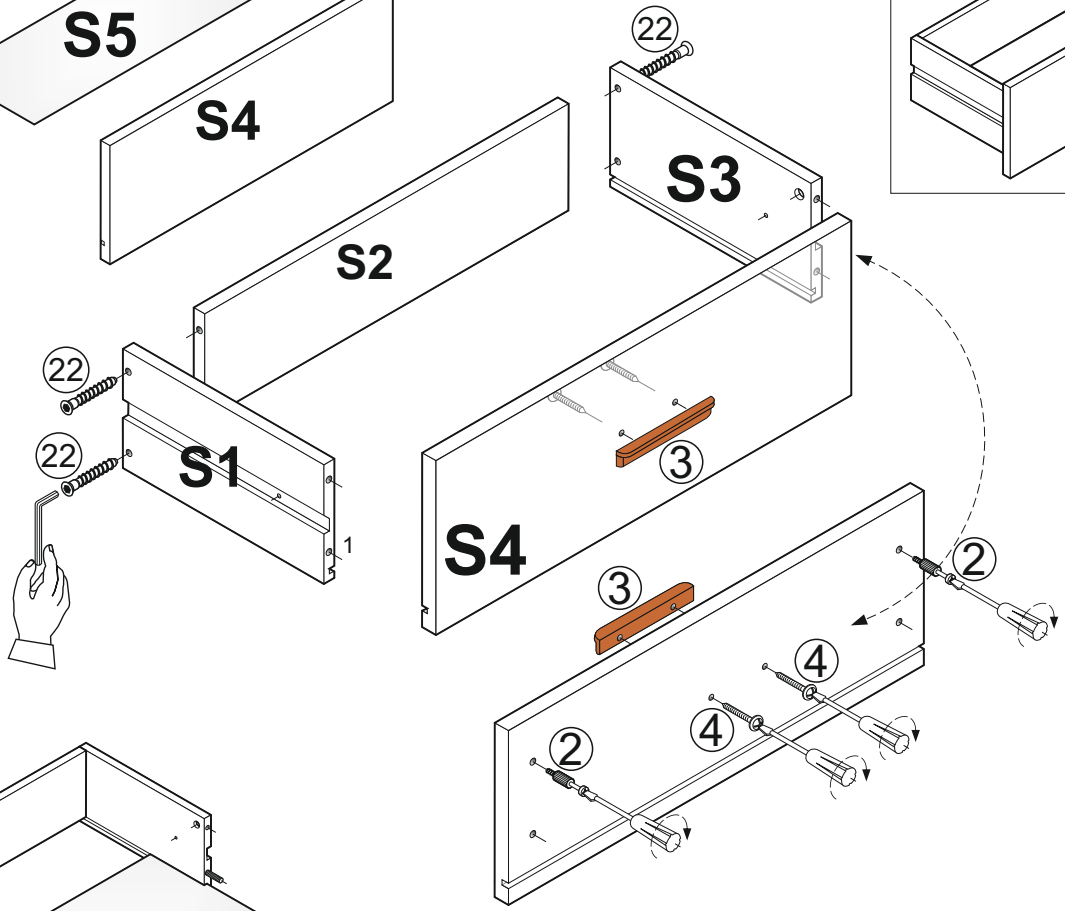
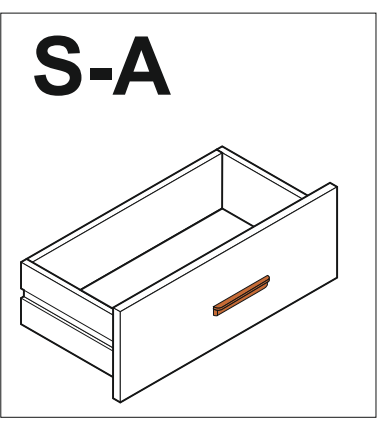
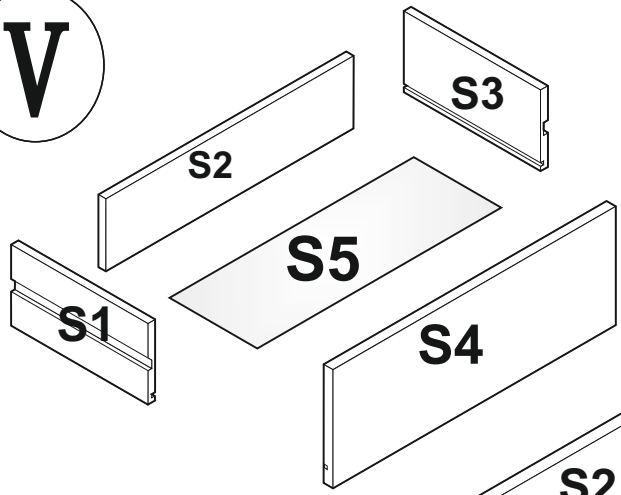
III



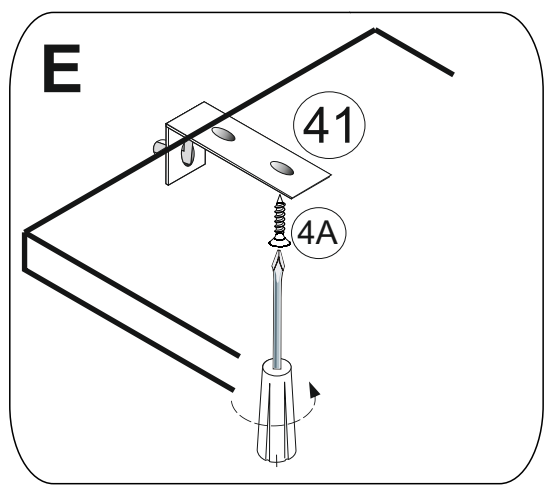
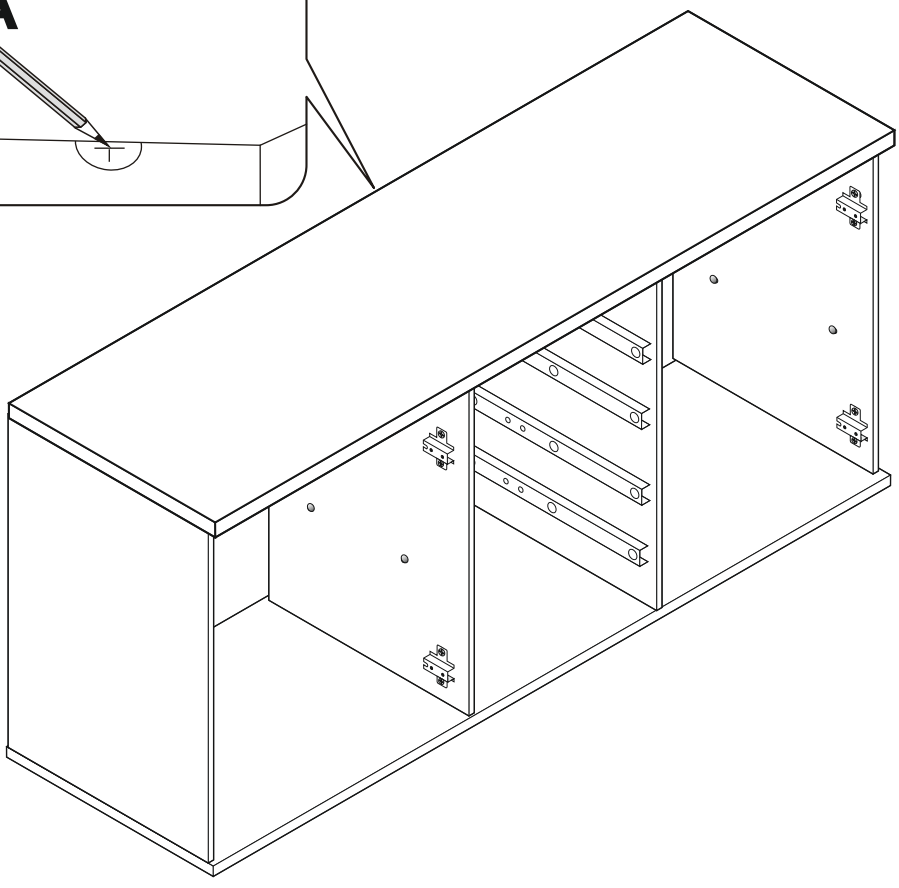
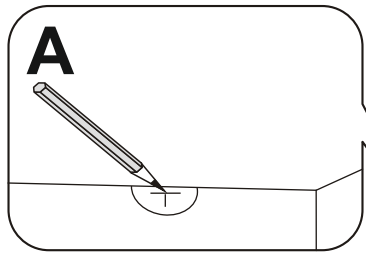
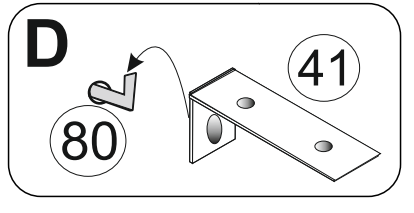
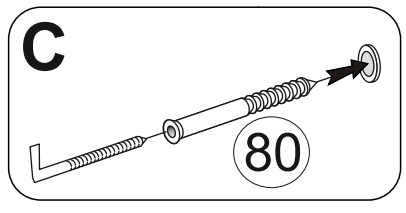
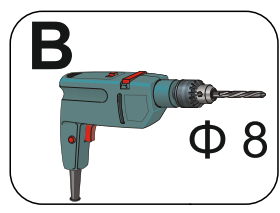
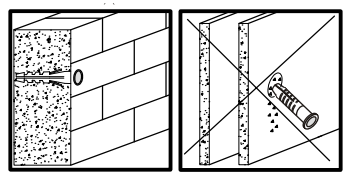
IV



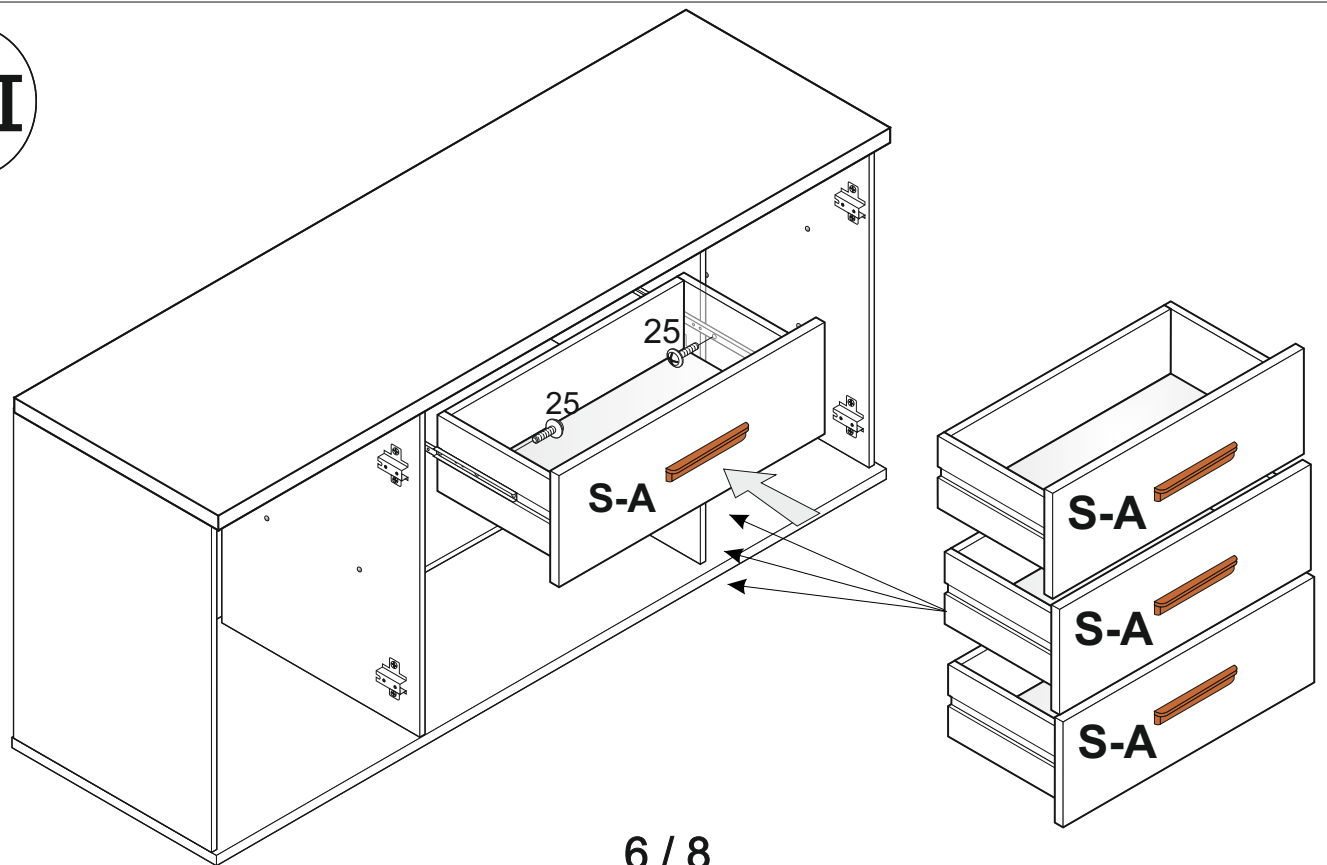
**V**



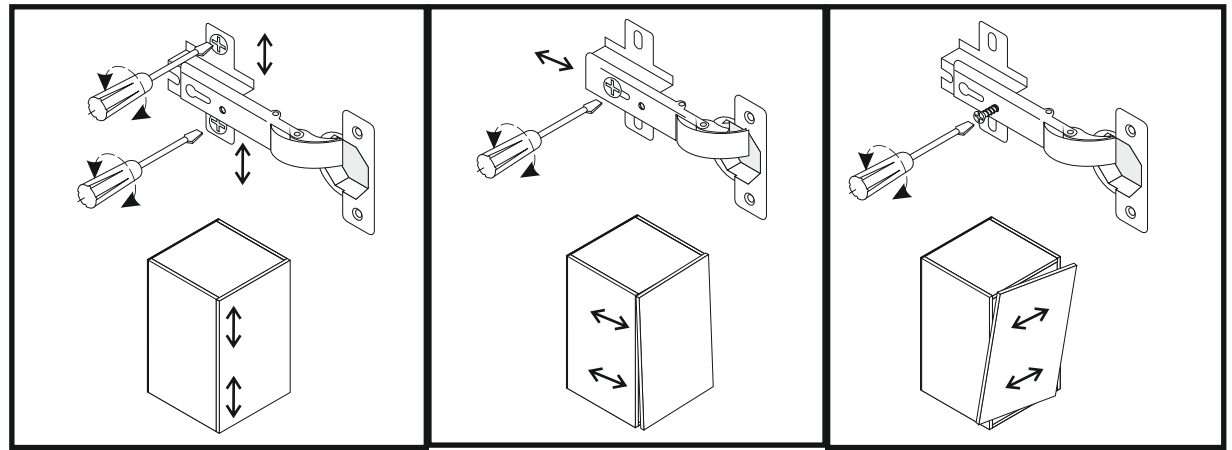
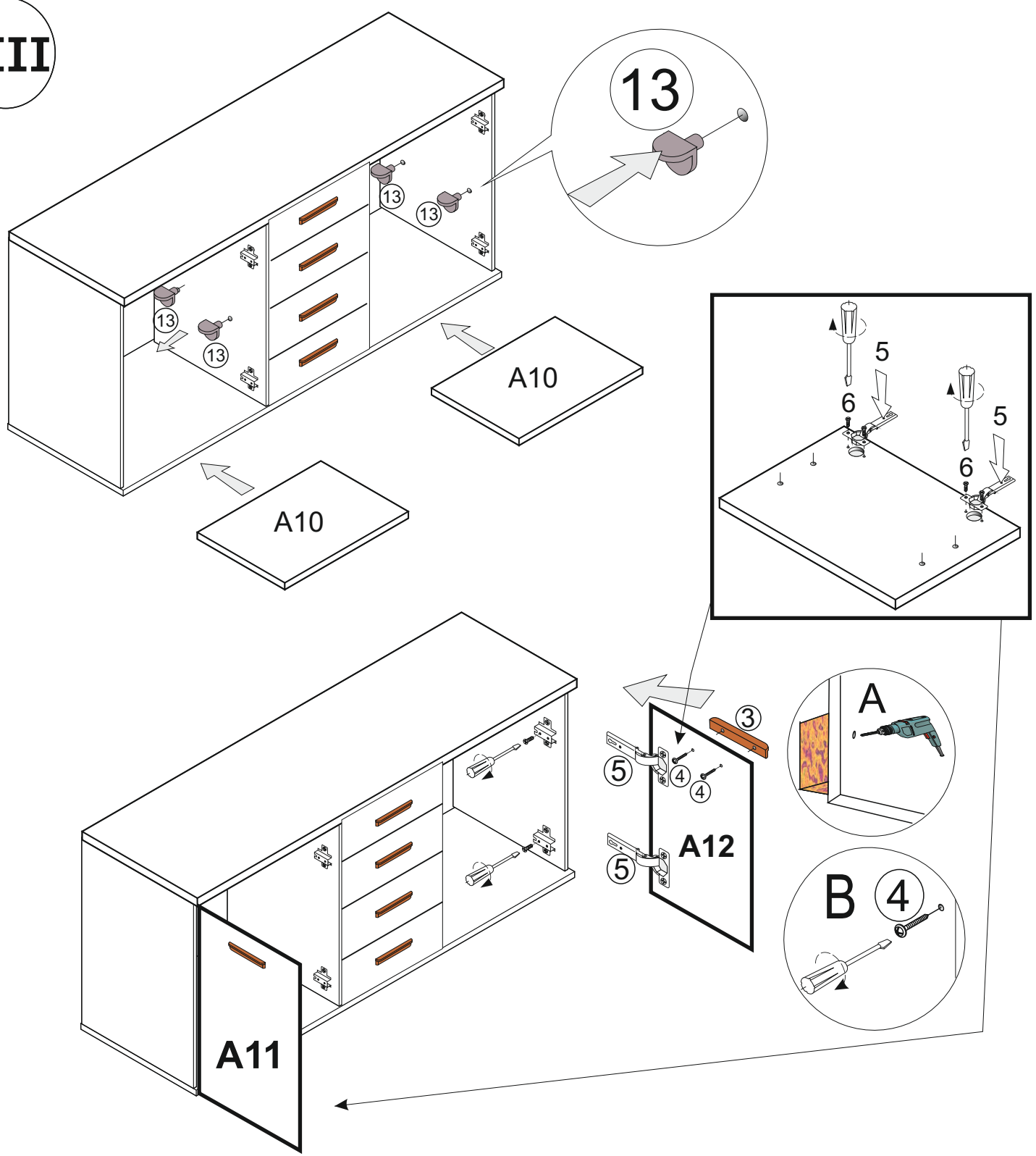
# VI




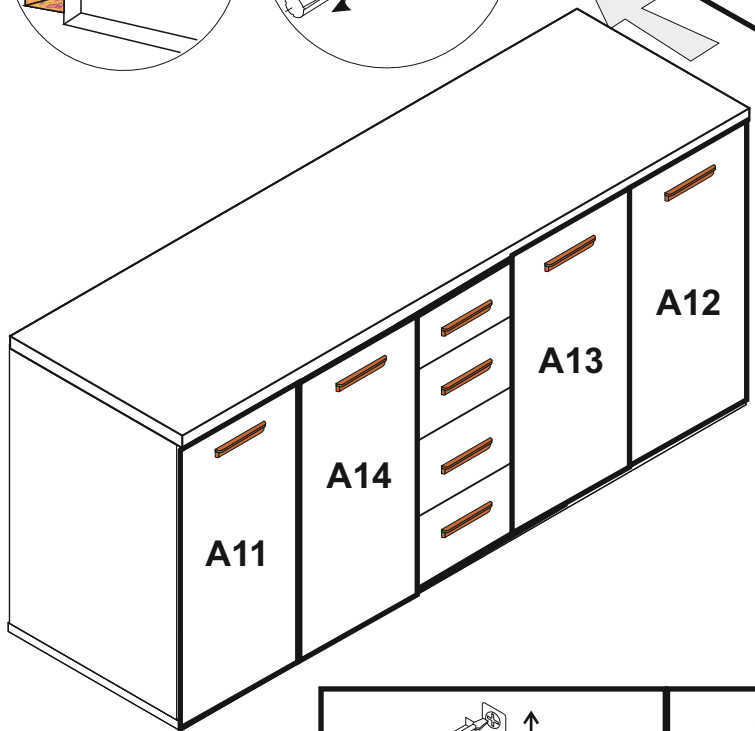
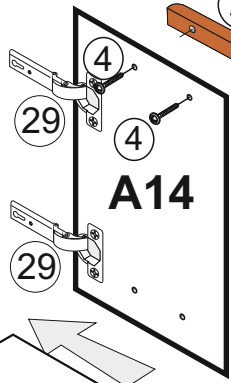
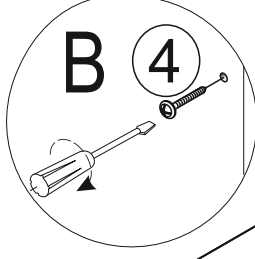
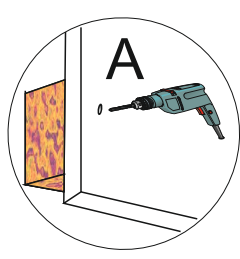
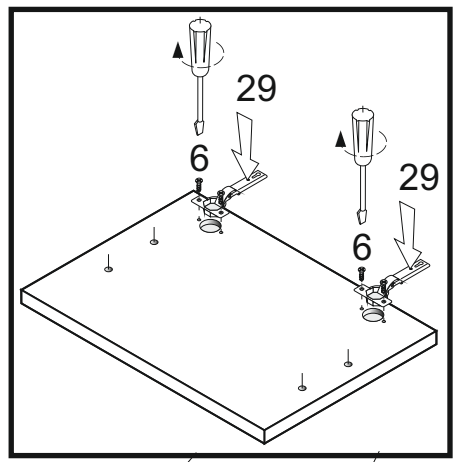
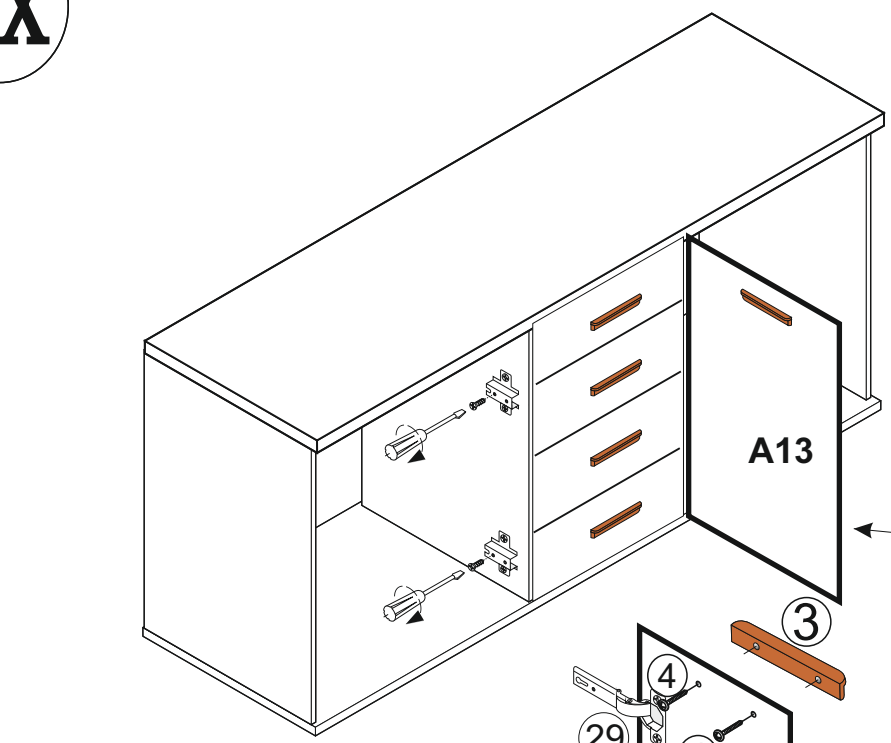
# VII




# VIII



# IX



**29(A13 / A14)**



**5 (A11 / A12)**

