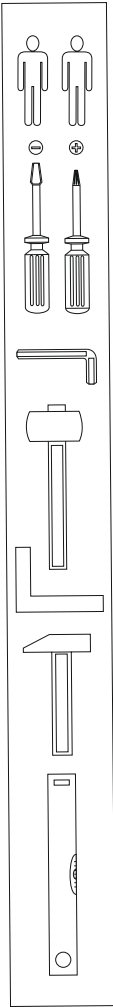
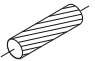
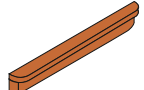

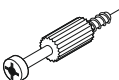
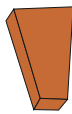

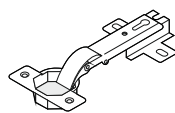

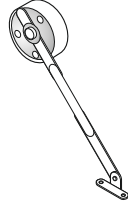






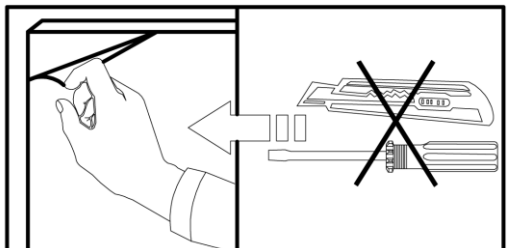
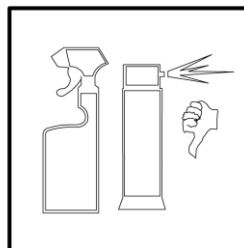
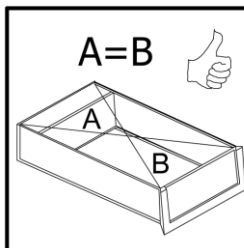
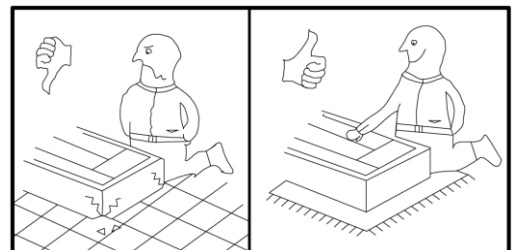
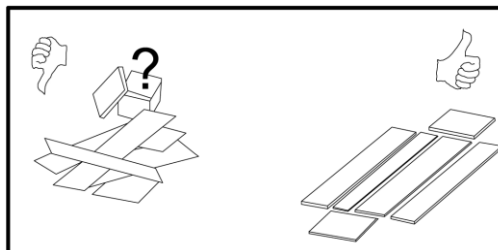
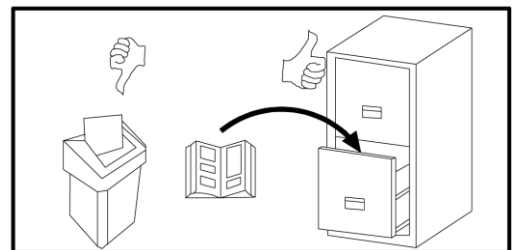
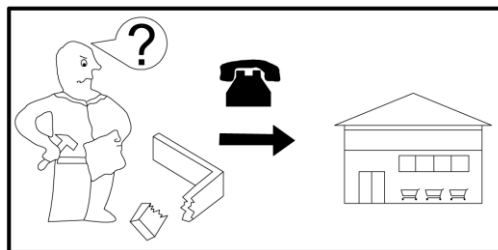


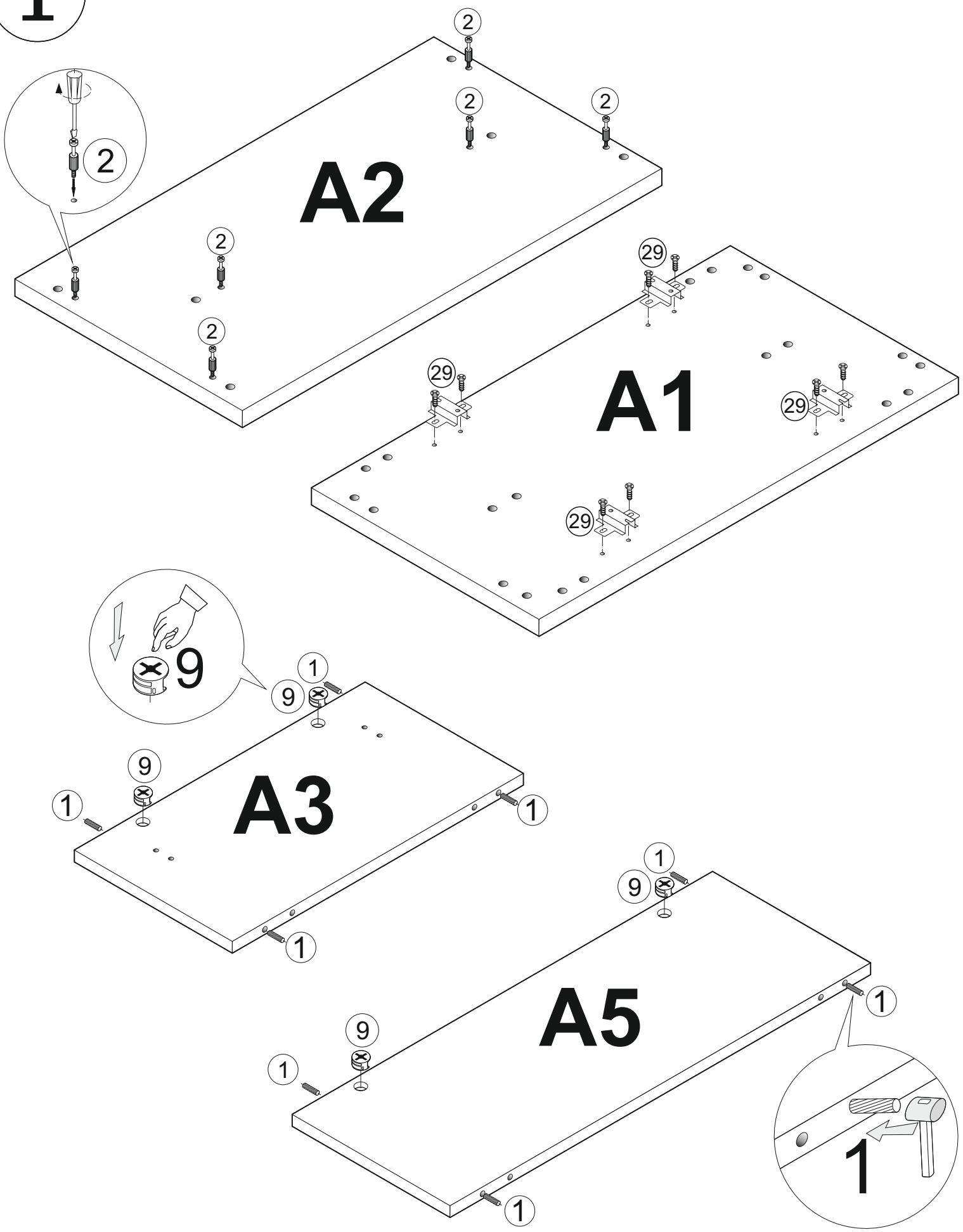
LEGG 9 CT



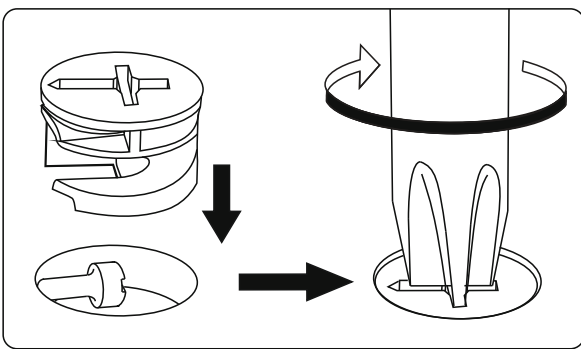
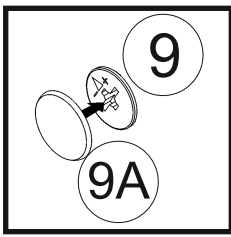
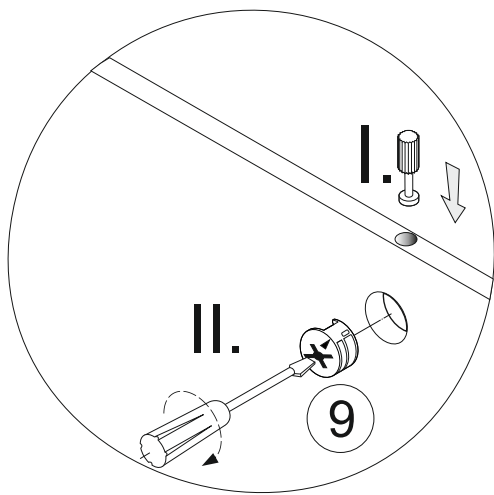
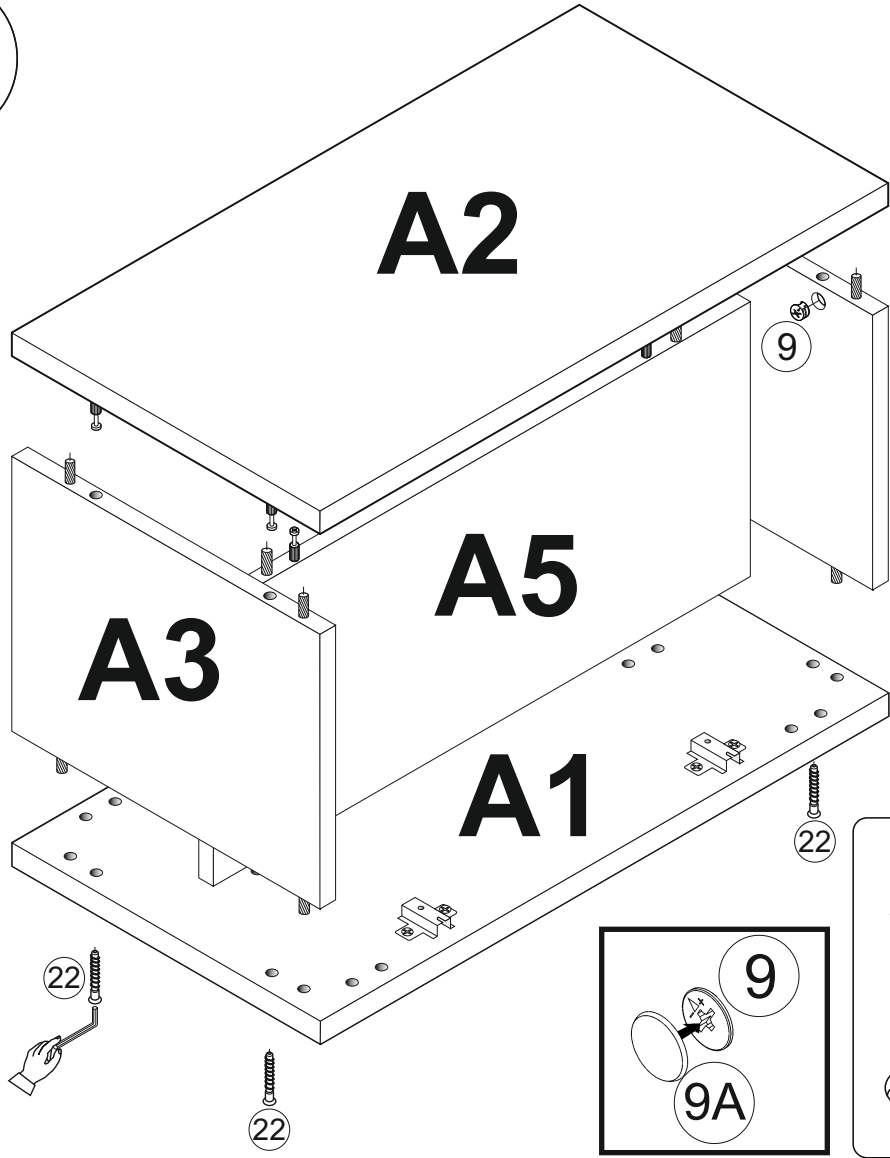
1	 8mm x 35mm	<u>X 12</u>	3		<u>X 2</u>	22A		<u>X 14</u>
2		<u>X 6</u>	10B		<u>X 4</u>	22	 7mm x 50mm	<u>X 14</u>
29		<u>X 4</u>	4	 3.5x25	<u>X 4</u>	71		<u>X 2</u>
6	 5mm x 11mm	<u>X 12</u>	26		<u>X 1</u>	9A		<u>X 6</u>
9		<u>X 6</u>	9A		<u>X 6</u>	11	 3.5x13	<u>X 6</u>



I

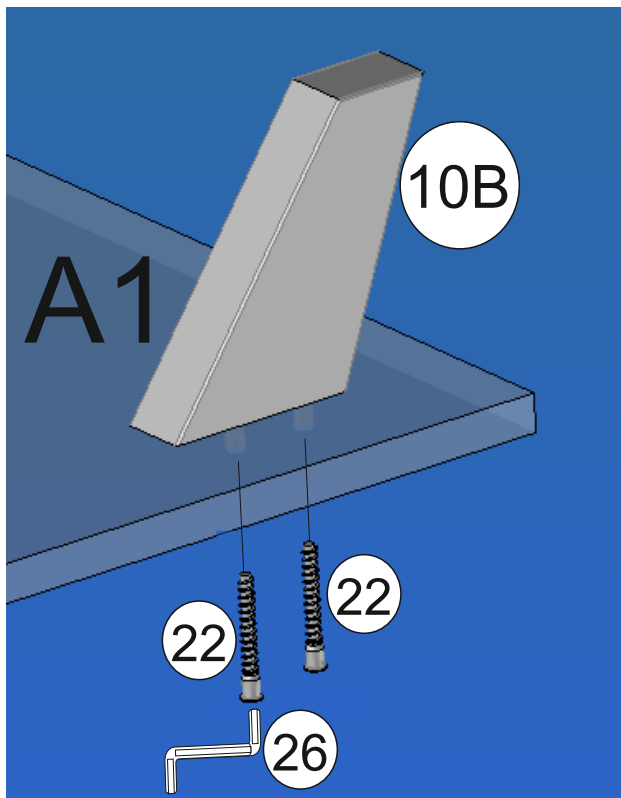
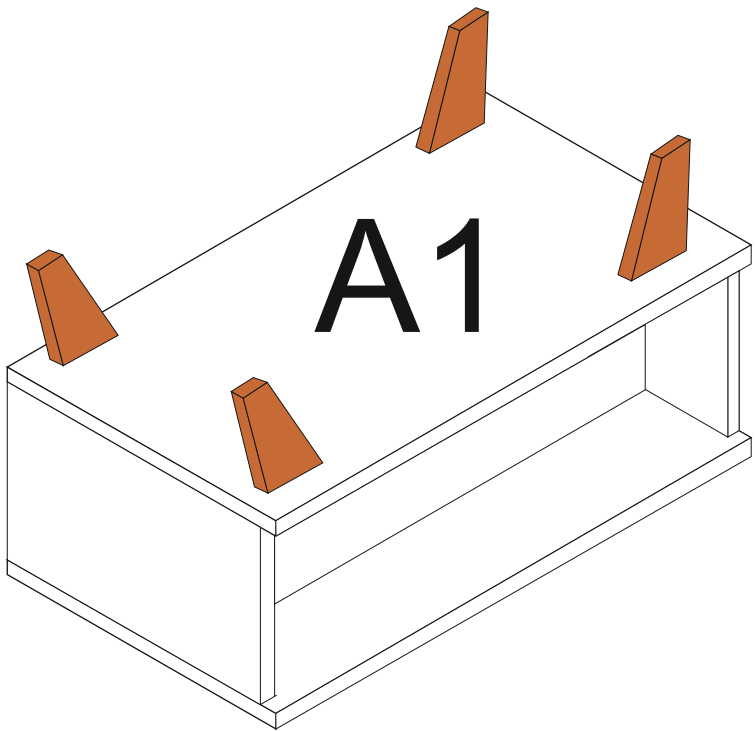


II

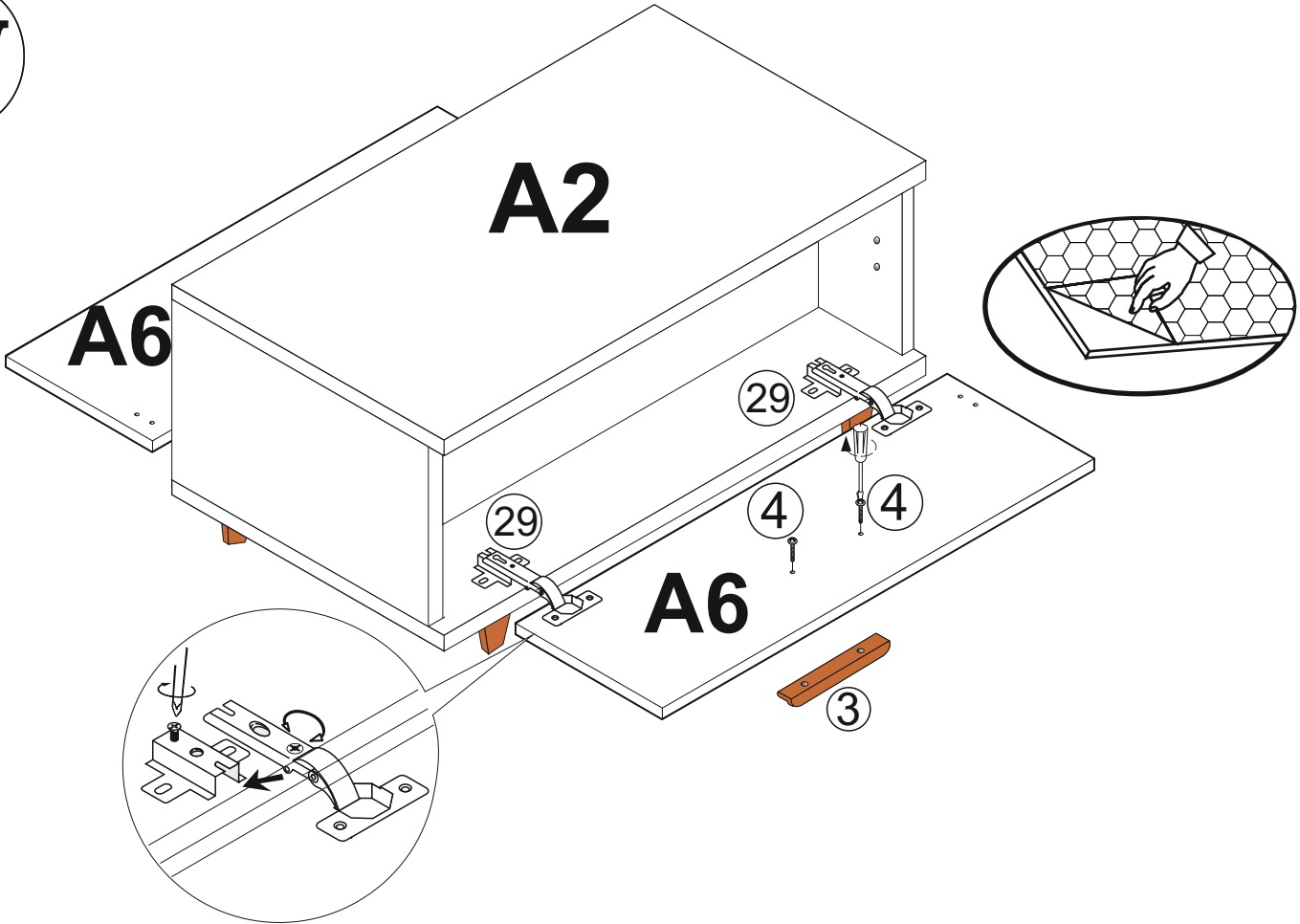


III

x4



IV



V

