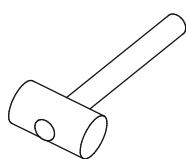
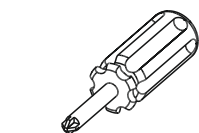
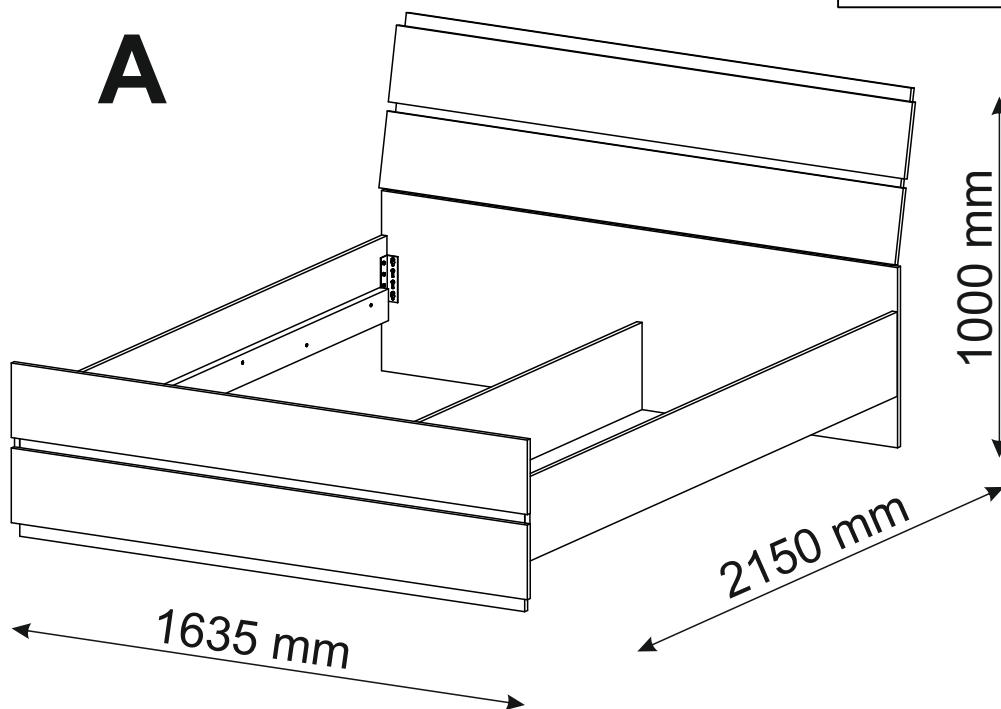
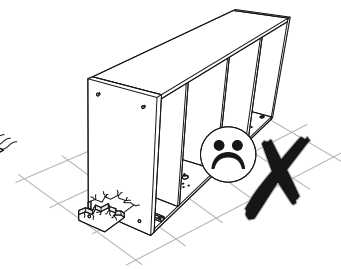
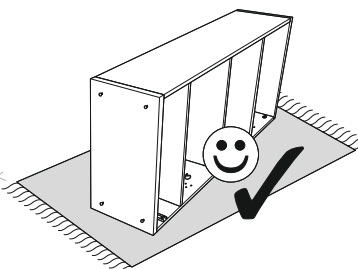
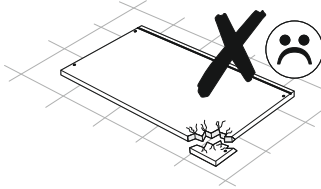
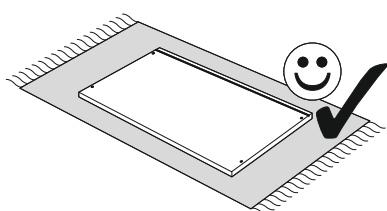
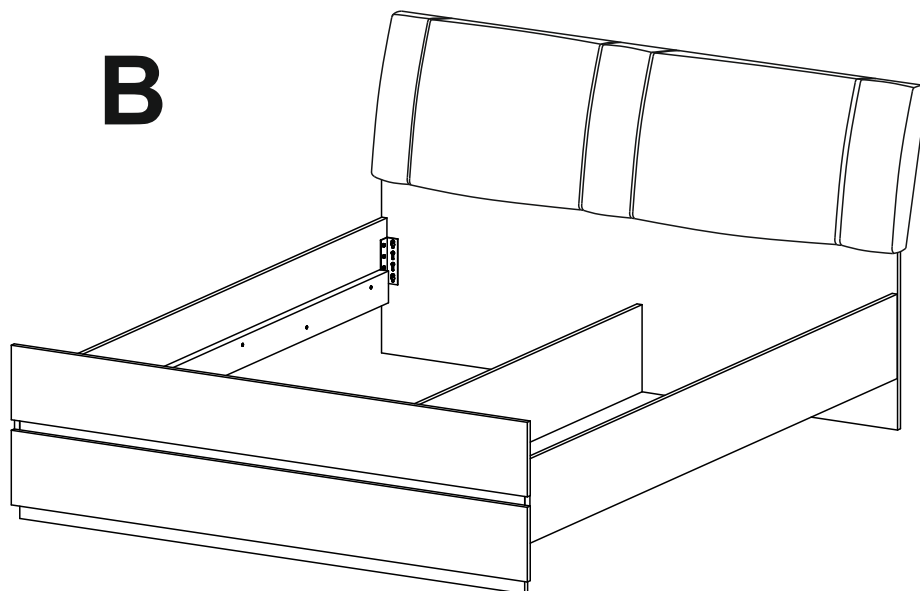
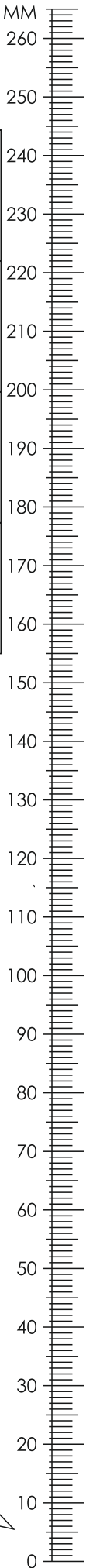










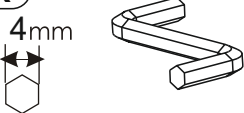
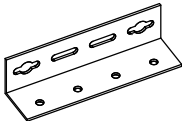
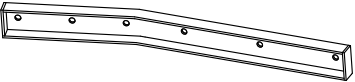
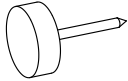
A

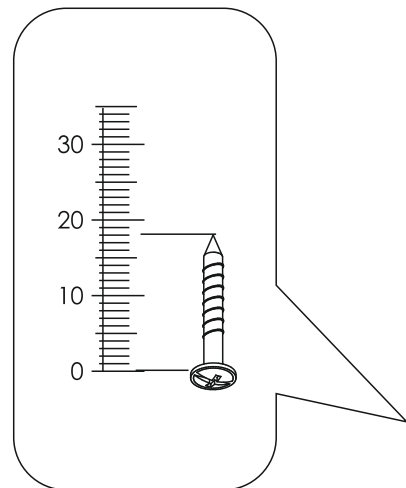


B




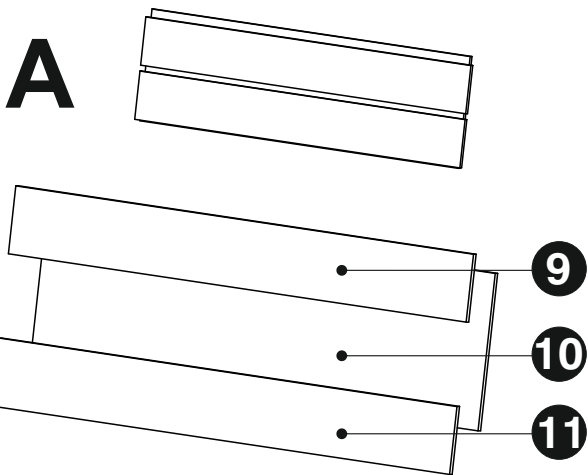
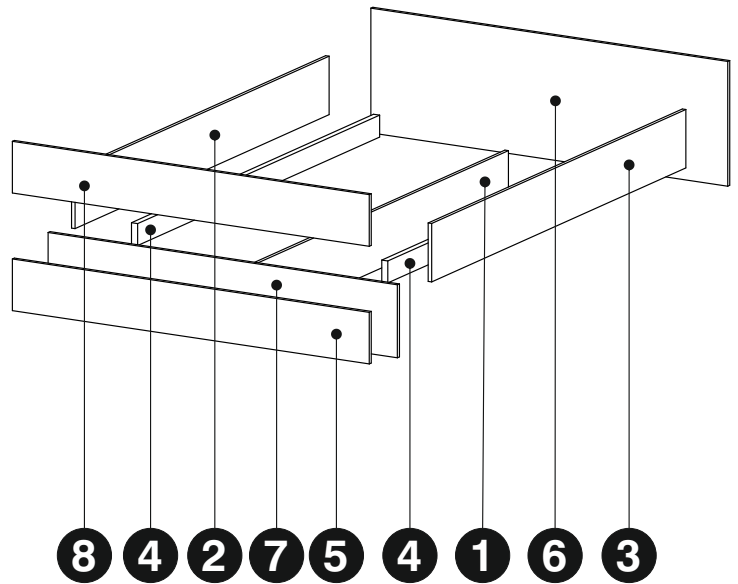
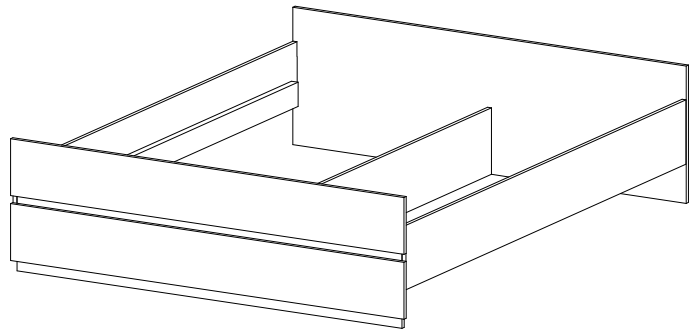


A0 8 x 30mm x32 	B1 7 x 50 mm x8 	C2 x8 
C7 16mm x8 	D4 3,5 x 18 mm x18 	D13 4 x 30 mm x30 
D27 5 x 40 mm x12 	D30 EURO 6,3 x 13 mm x16 	K 4mm x1 
P8 x2 	P10 x3 	T3 x15 

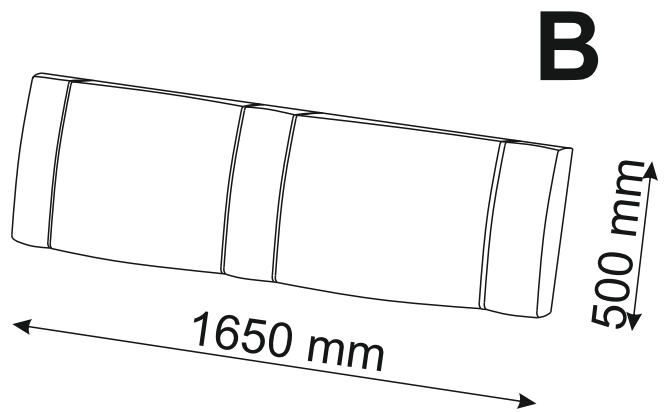


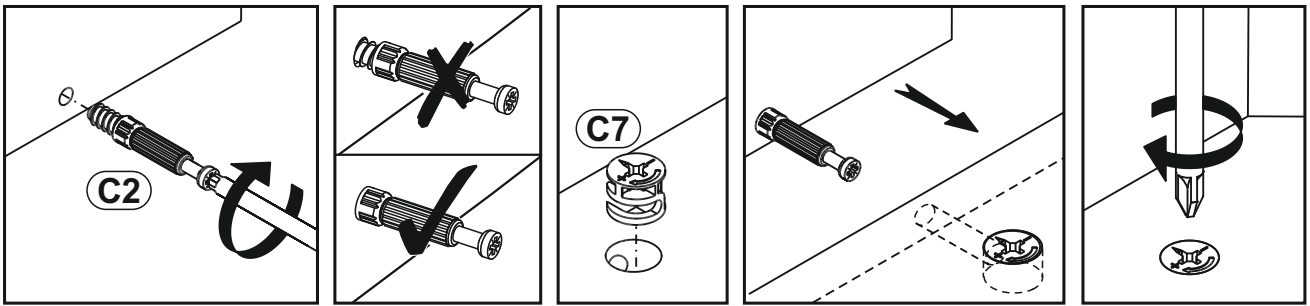


1	2000	248	16	x1	1/4
2	2016	240	16	x1	1/4
3	2016	240	16	x1	1/4
4	1920	90	28	x2	1/4
5	1635	212	16	x1	2/4
6	1635	512	16	x1	2/4
7	1600	300	16	x1	2/4
8	1635	212	16	x1	2/4
					3/4

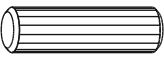



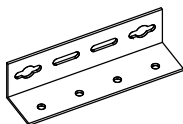


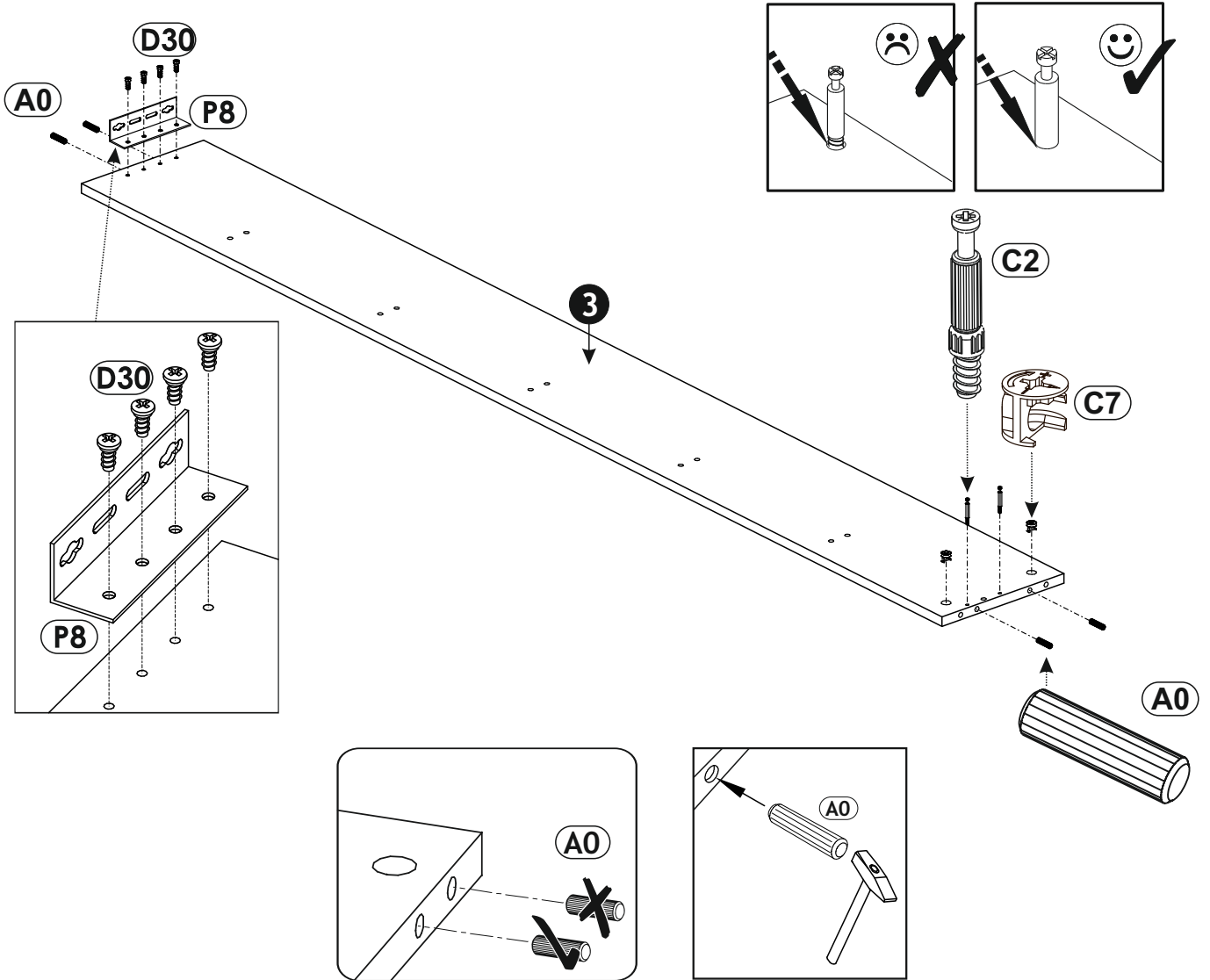
9	1635	212	16	x1	4/4
10	1600	491	16	x1	4/4
11	1635	212	16	x1	4/4







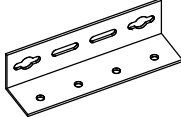


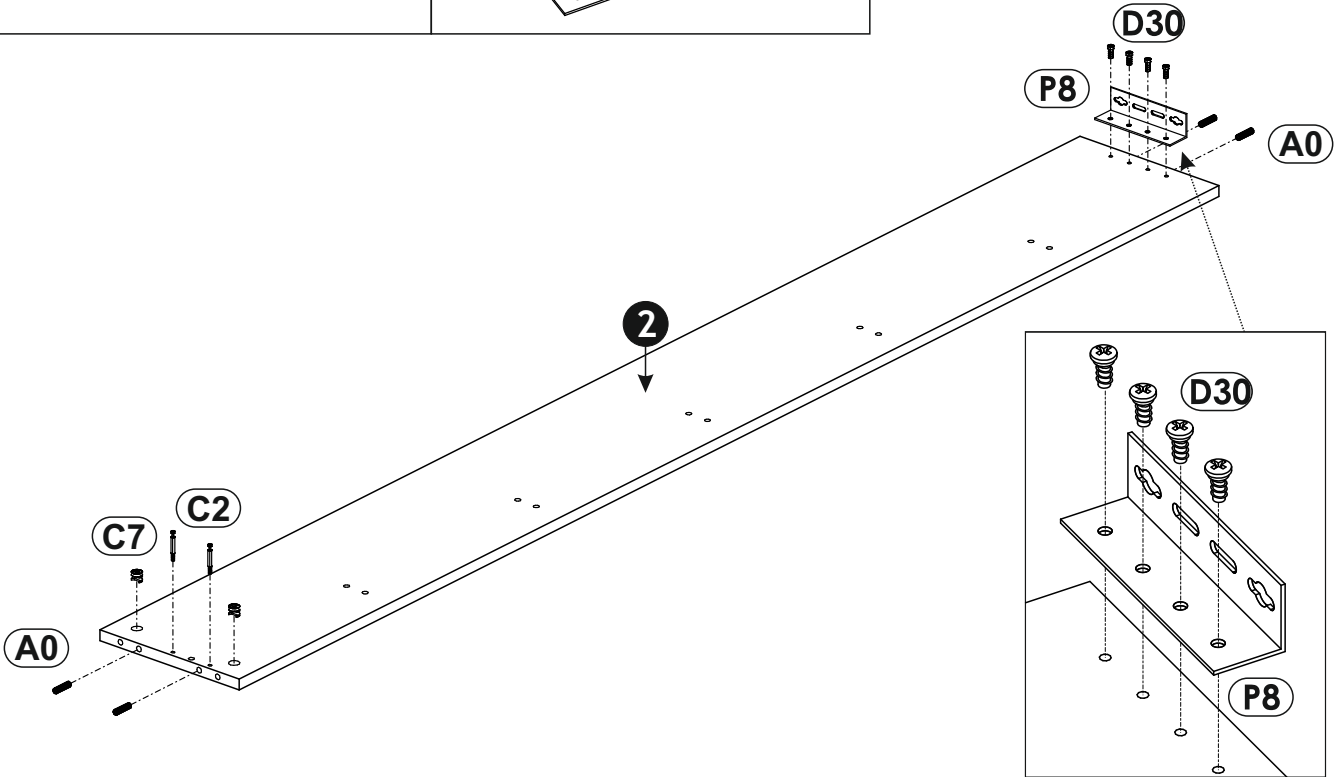
1 ▶

<p>(A0) 8 x 30mm x4</p> 	<p>(C2) x2</p> 	<p>(C7) x2</p> <p>16mm</p> 
<p>(D30) EURO 6,3 x 13 mm x4</p> 	<p>(P8) x1</p> 	


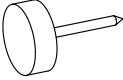


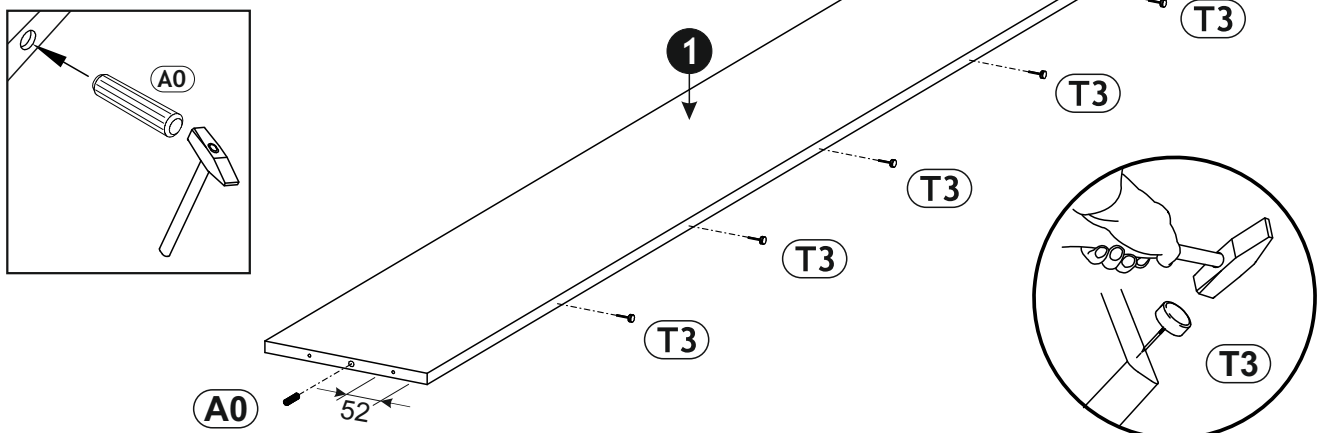
2 ▶

(A0) 8 x 30mm x4 	(C2) x2 	(C7) x2 16mm 
(D30) EURO 6,3 x 13 mm x4 	(P8) x1 	



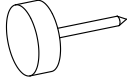


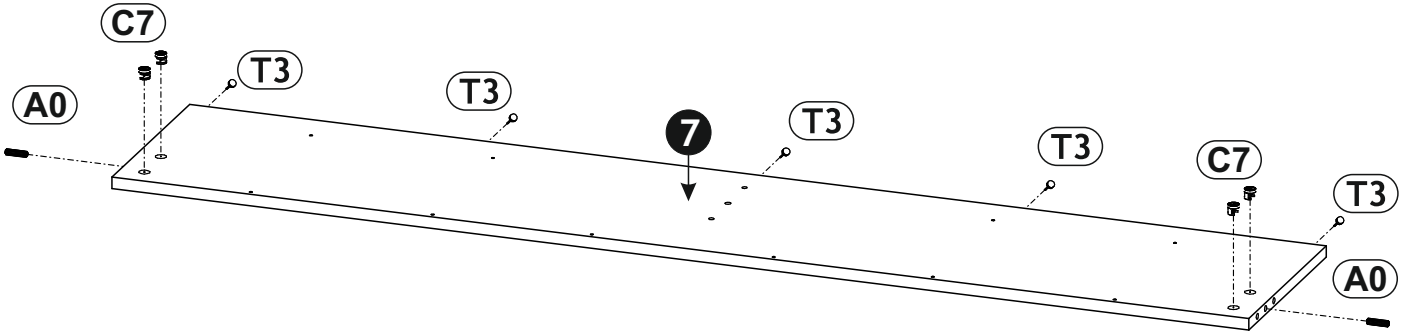
3 ▶

(A0) 8 x 30mm x2 	(T3) x5 
---	--

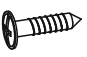
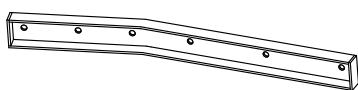
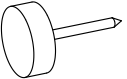


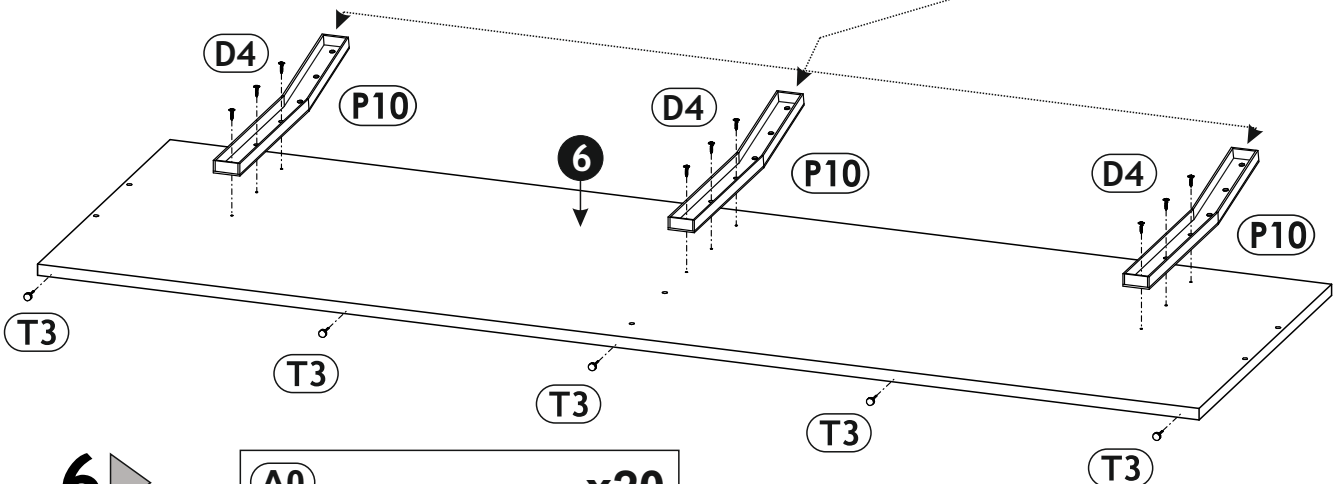
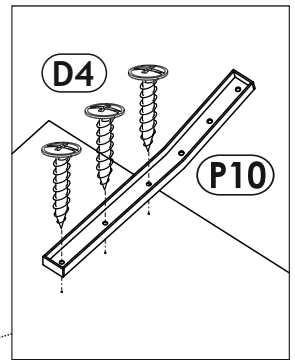
4

A0 8 x 30mm x2 	C7 16mm x4 	T3 x5 
---	---	---




5

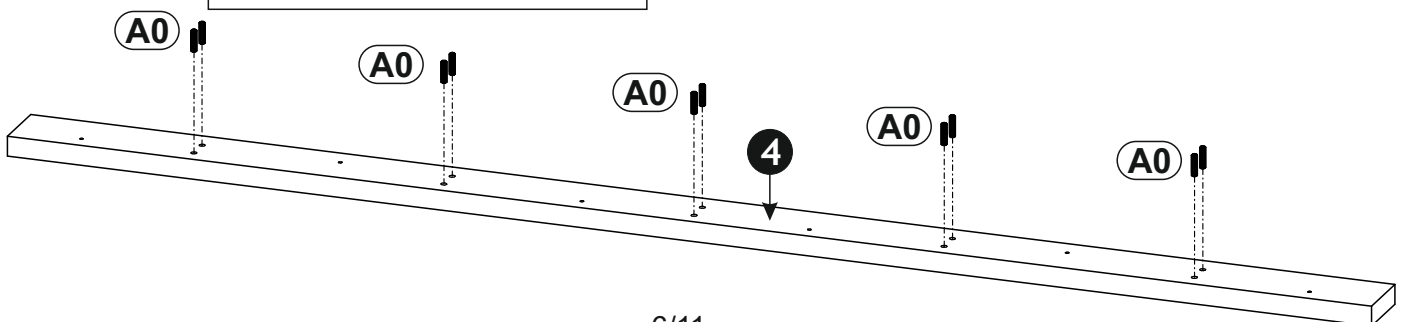
D4 3,5 x 18 mm x9 	P10 x3 
T3 x5 	



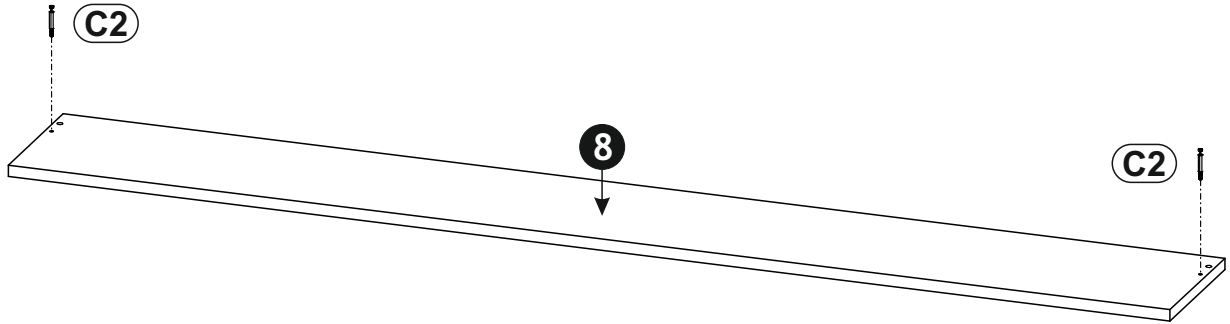
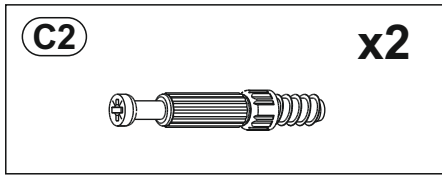
6

A0 8 x 30mm x20 
--

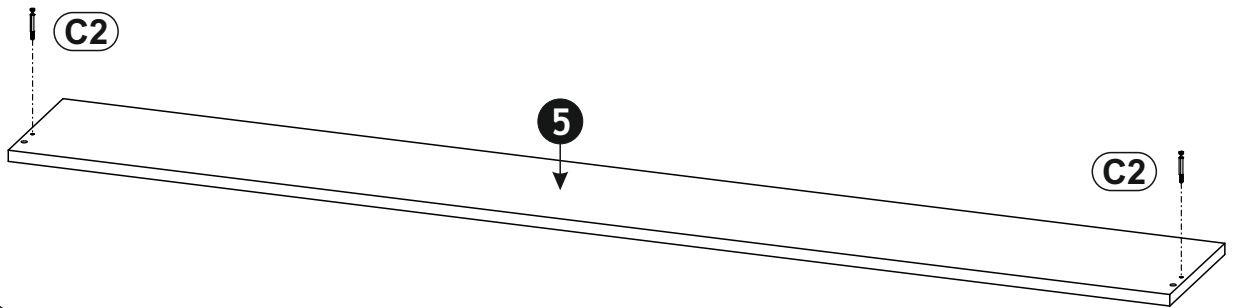
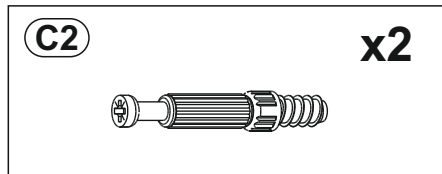
x2



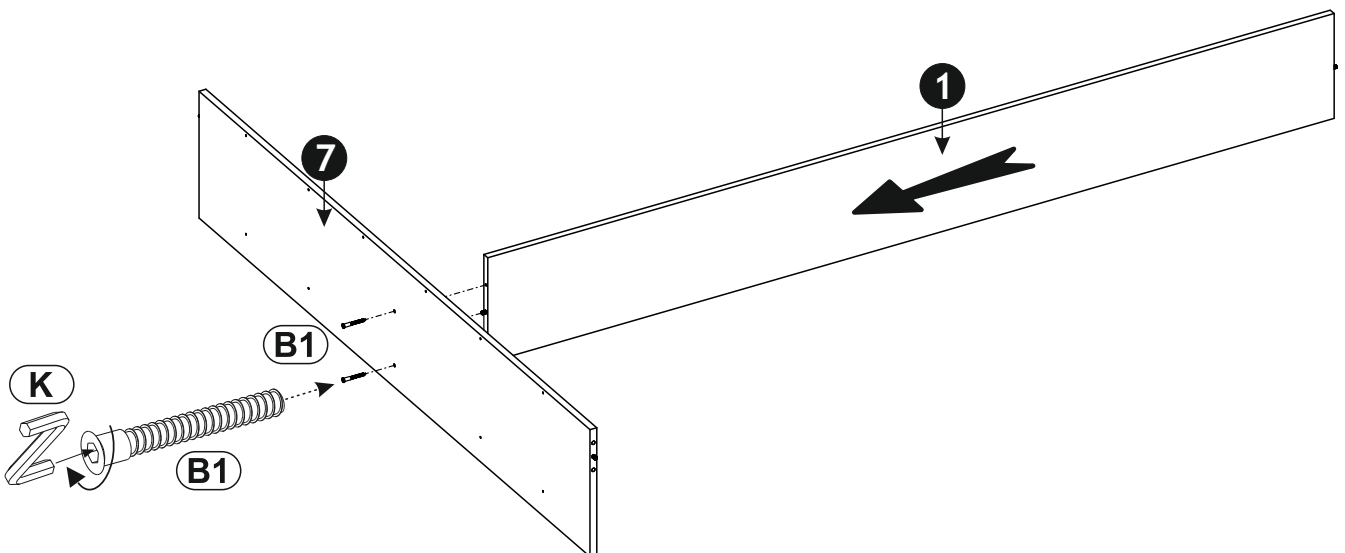
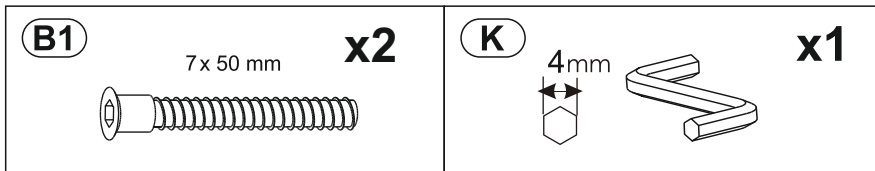
7 ▶



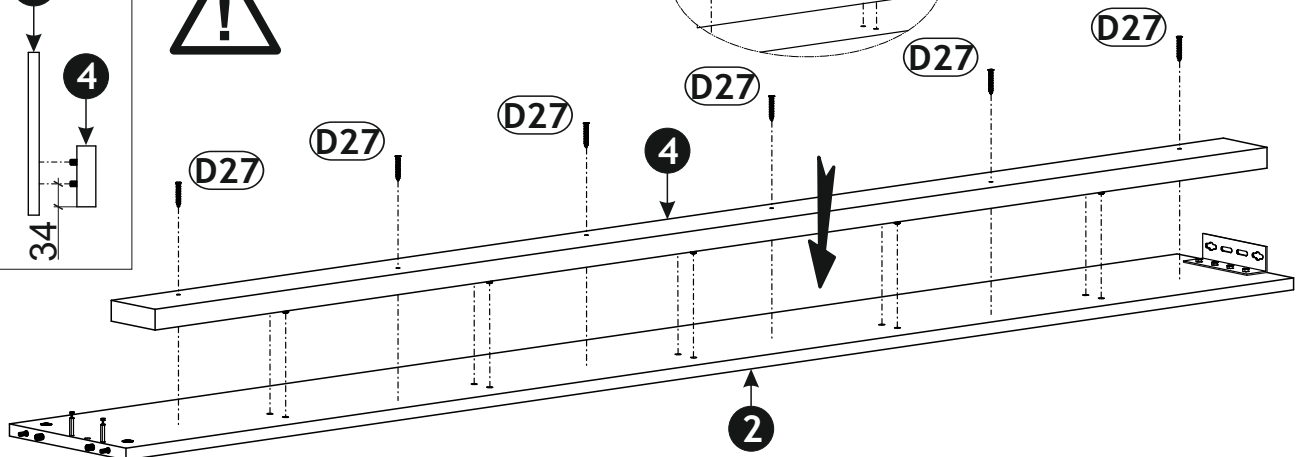
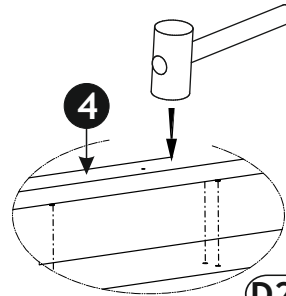
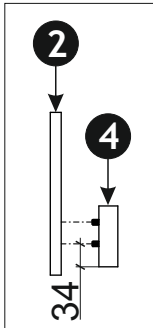
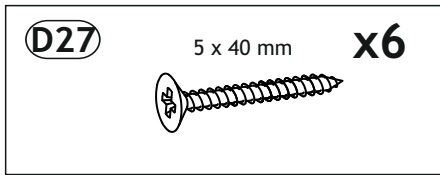
8 ▶



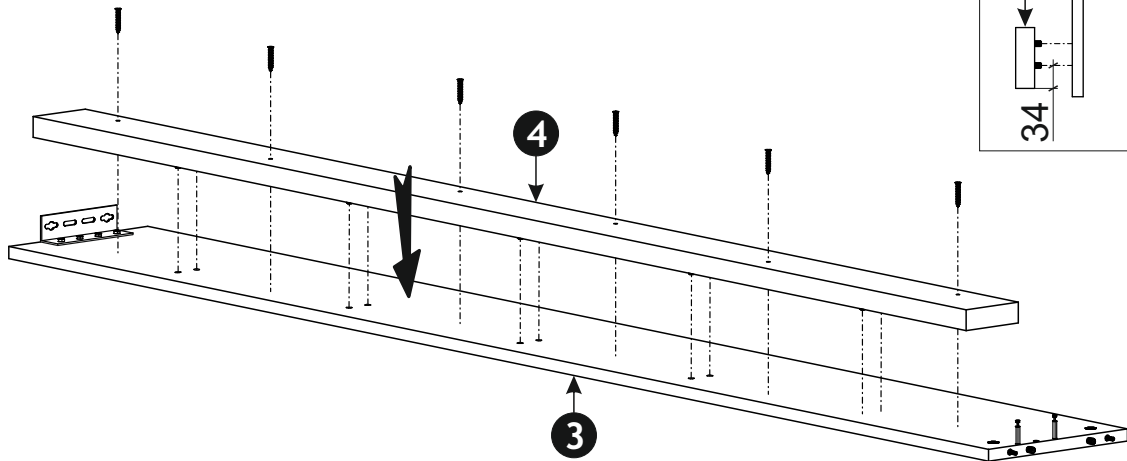
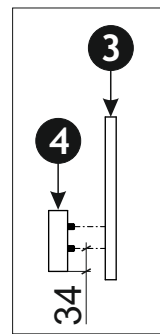
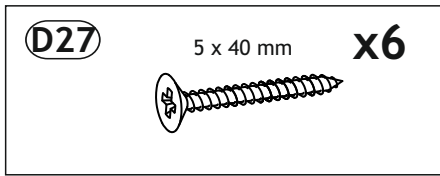
9 ▶



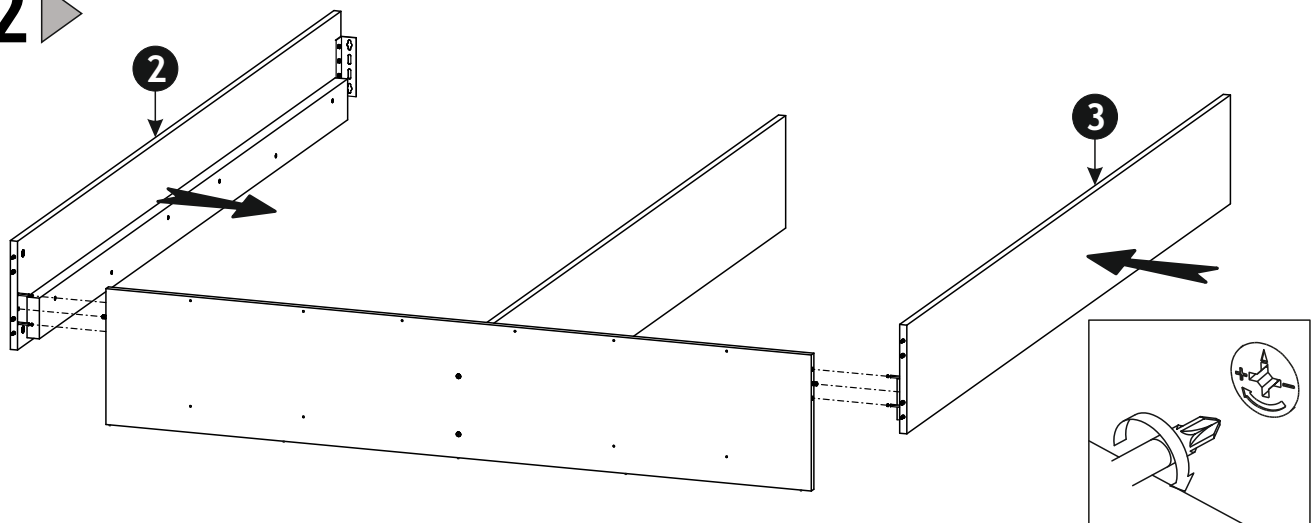
10 ▶






11 ▶

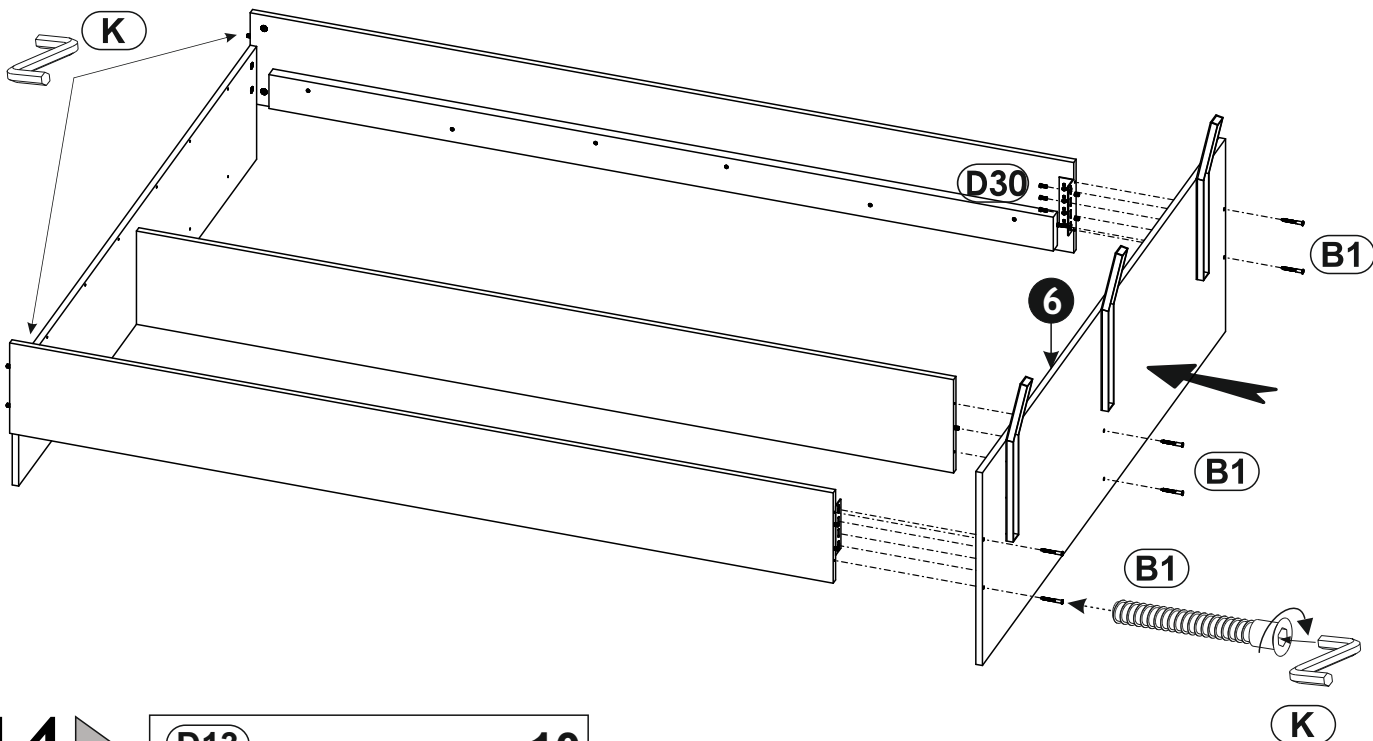


12 ▶




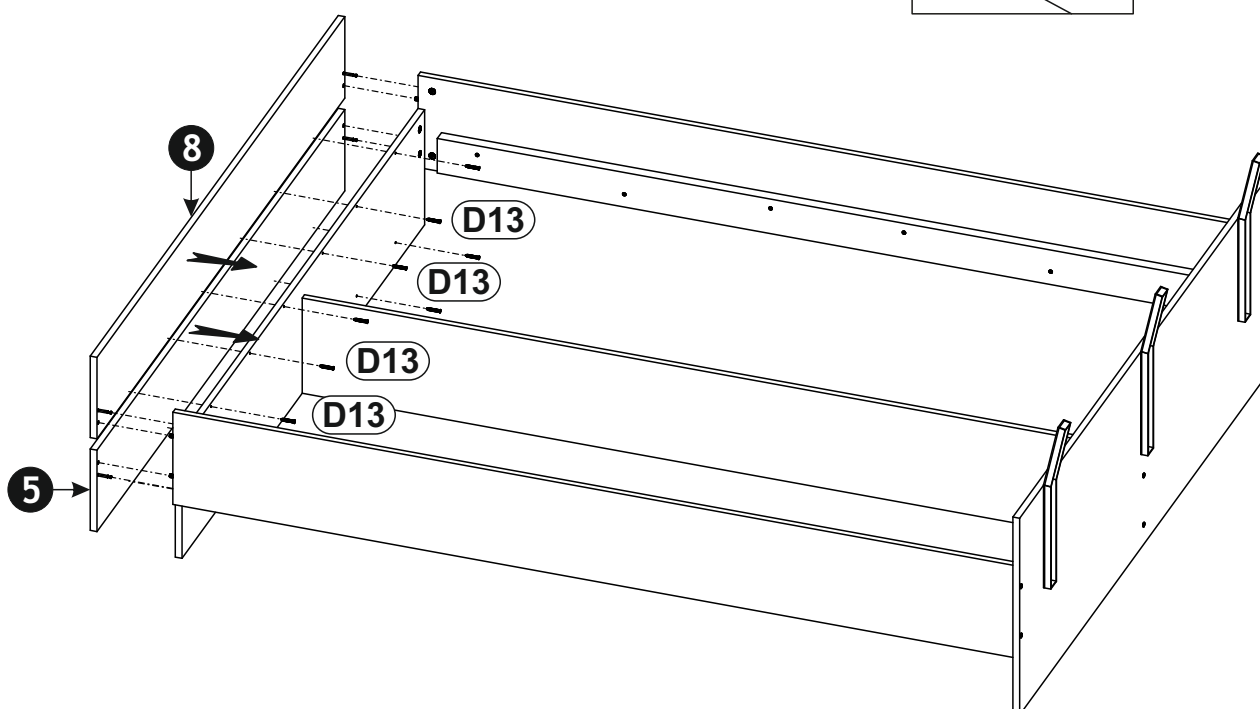
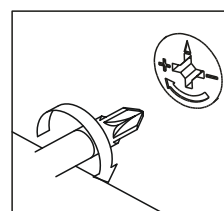
13 ▶

(B1) 7 x 50 mm x6 	(D30) EURO 6,3 x 13 mm x8 	(K) 4mm x1 
---	--	---

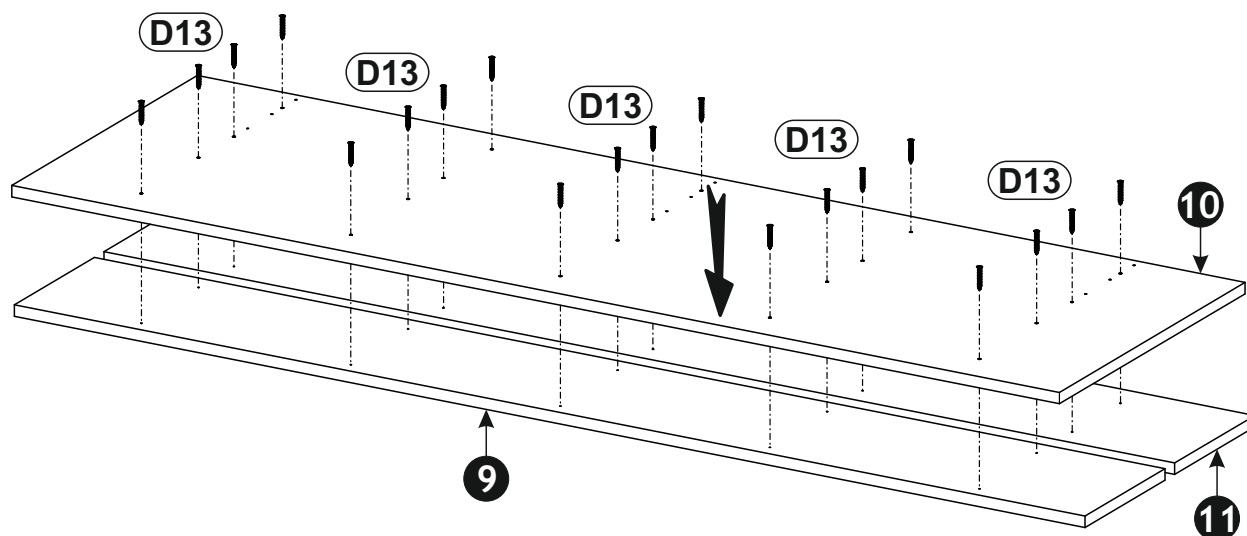
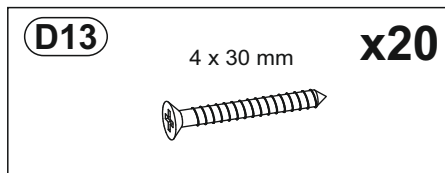


14 ▶

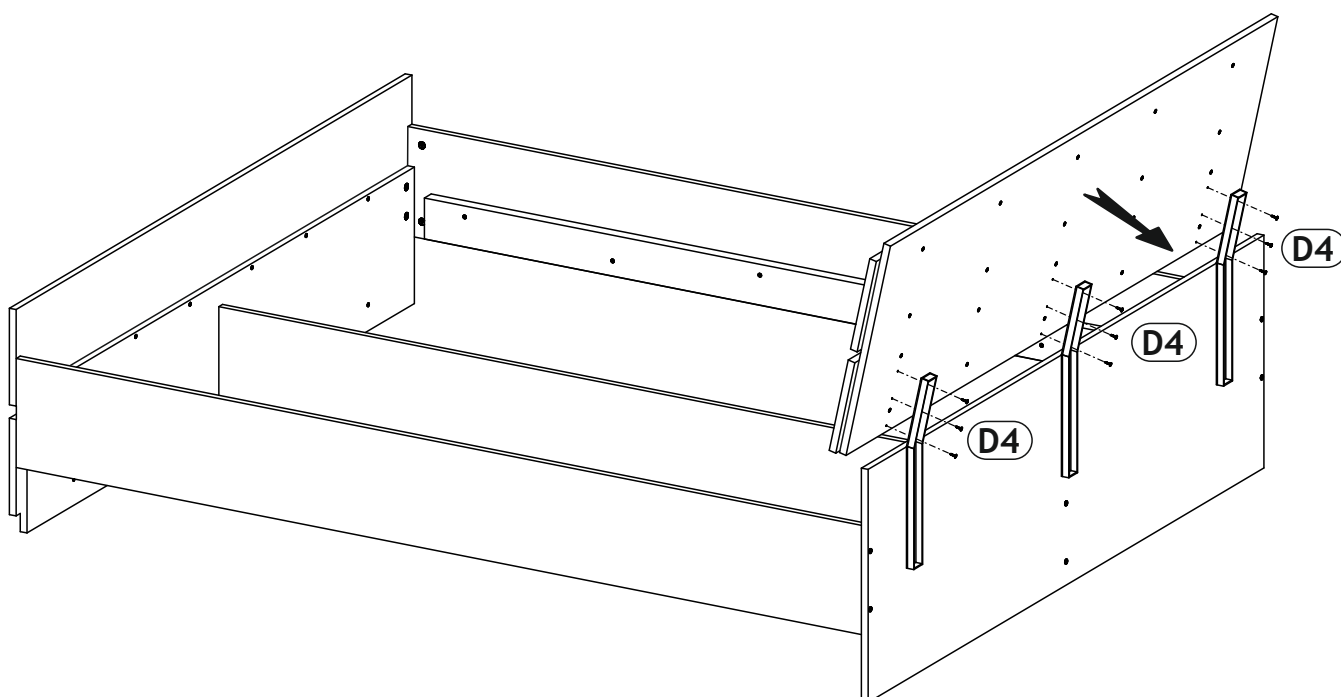
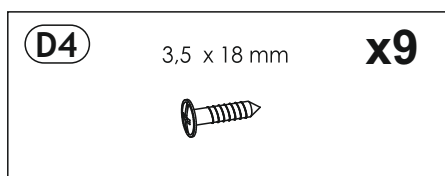
(D13) 4 x 30 mm x10 
--



15 A ▶

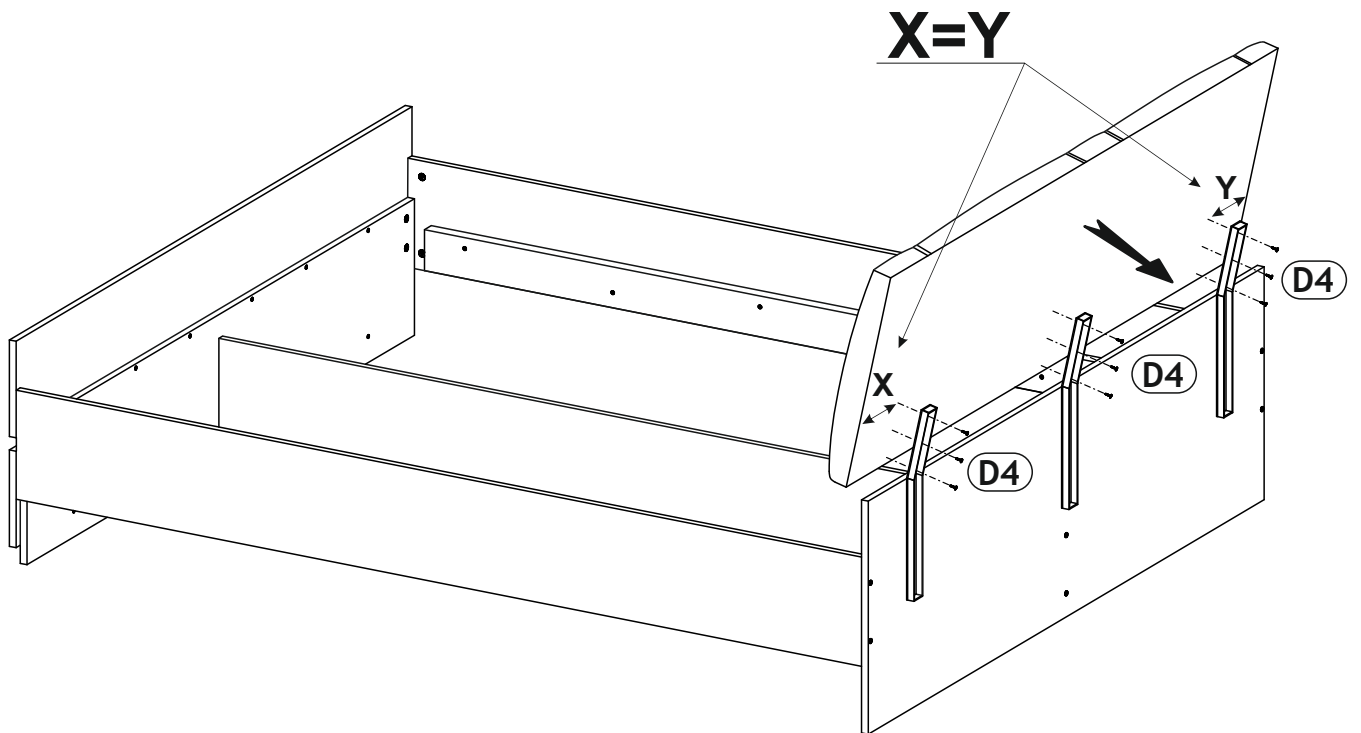


16 A ▶



15 B ▶

D4 3,5 x 18 mm **x9**



16 B ▶

