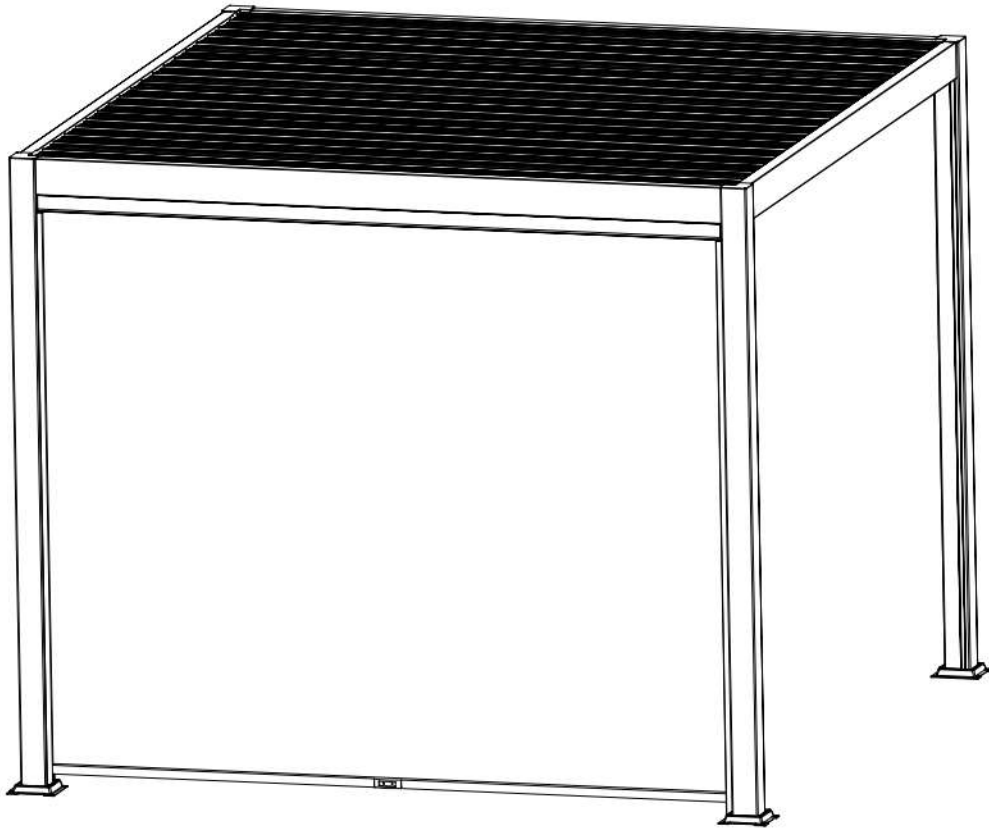


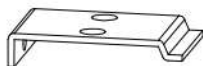
LOVA - QN-GB19-1



A (x1)



B (x2)



C (x3)



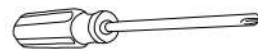
M5x20

D (x6)



M5x10

F (x9)

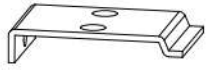


G (x1)



M5

H (x1)



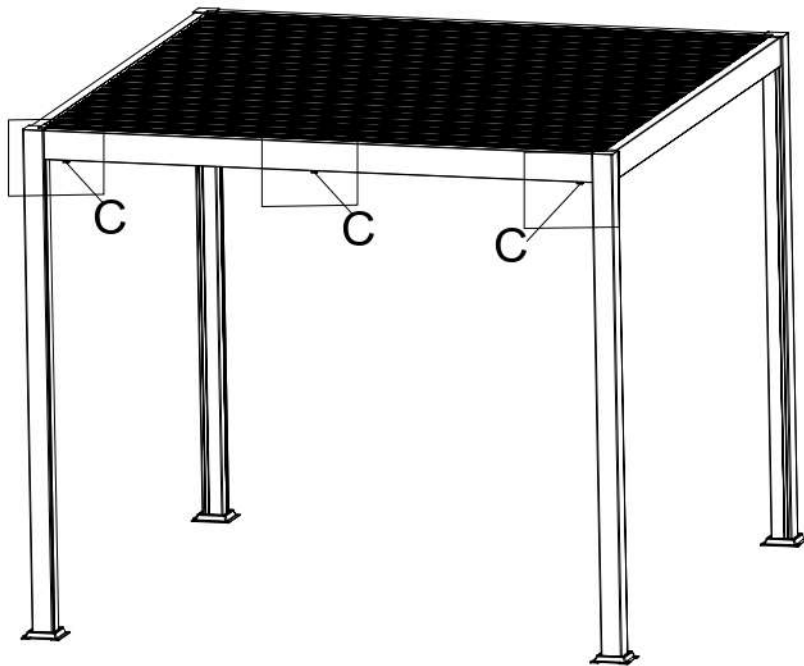
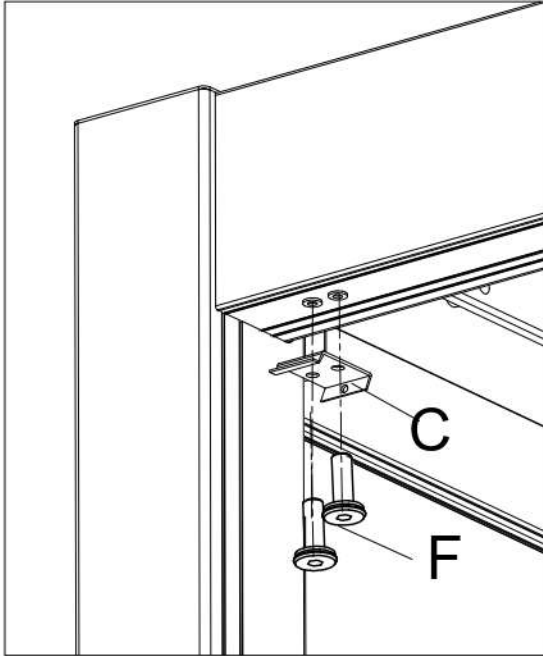
C (x3)



M5*10

F (x6)

1:



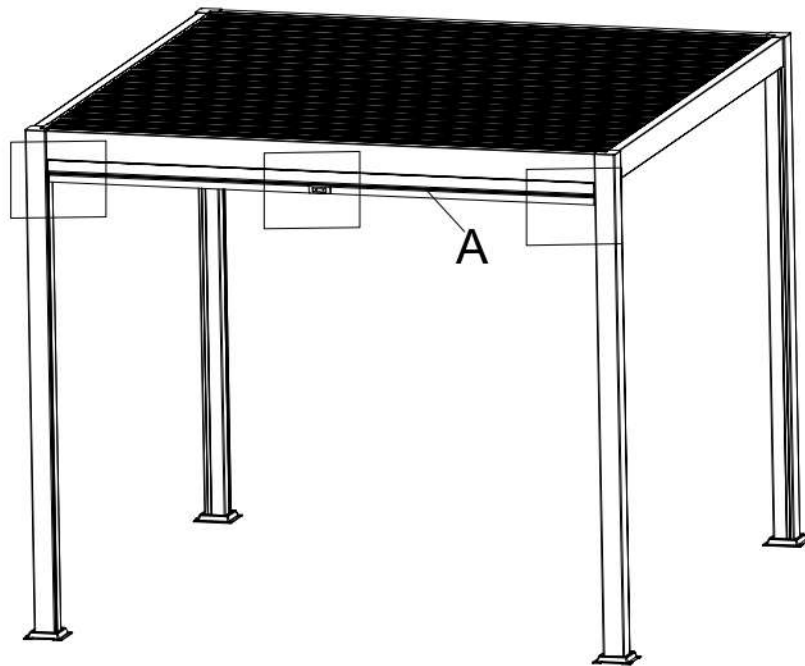
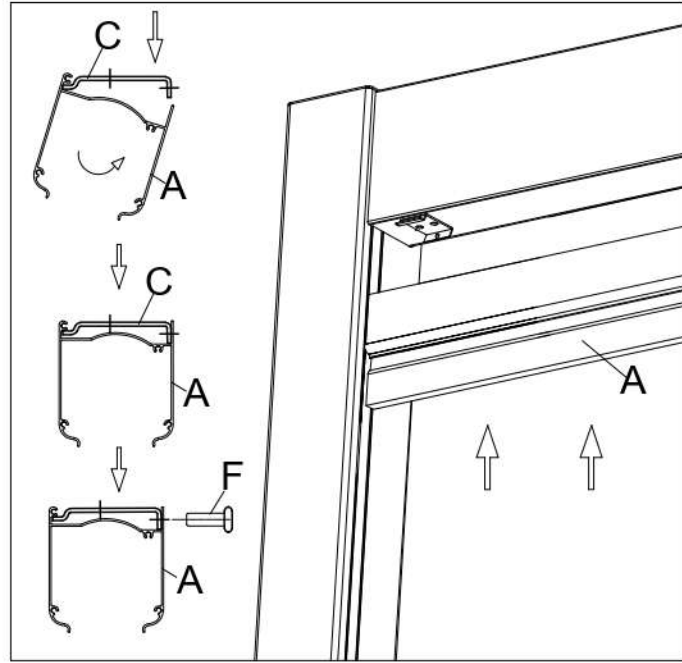
M5x10



F (x3)

A (x1)

2:



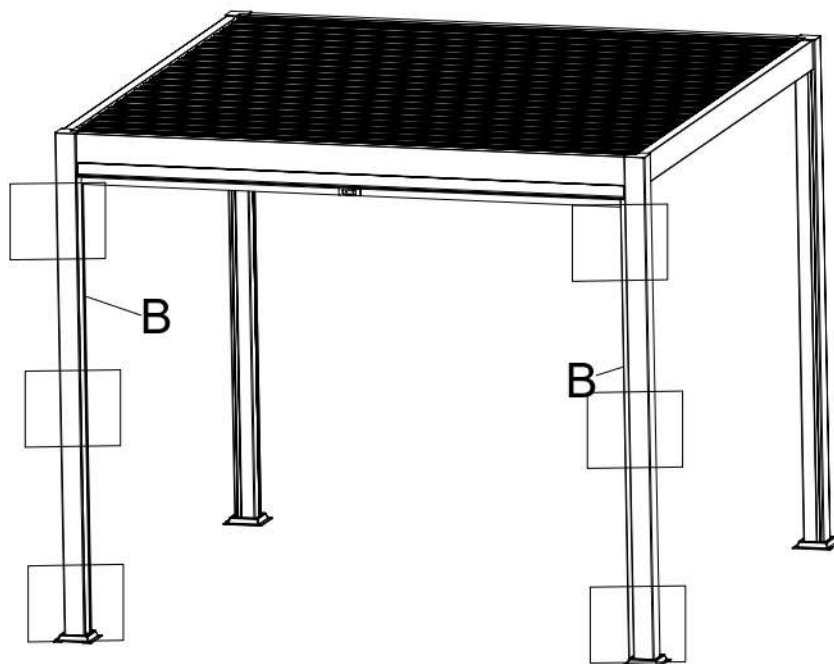
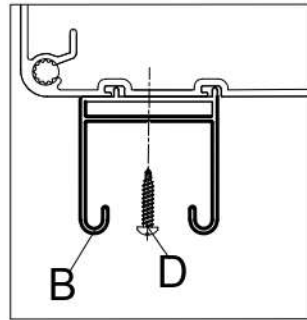
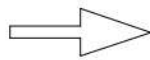
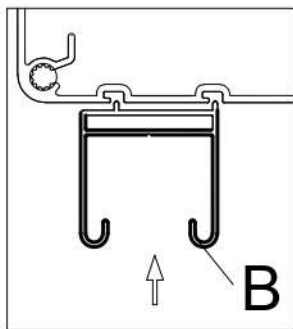
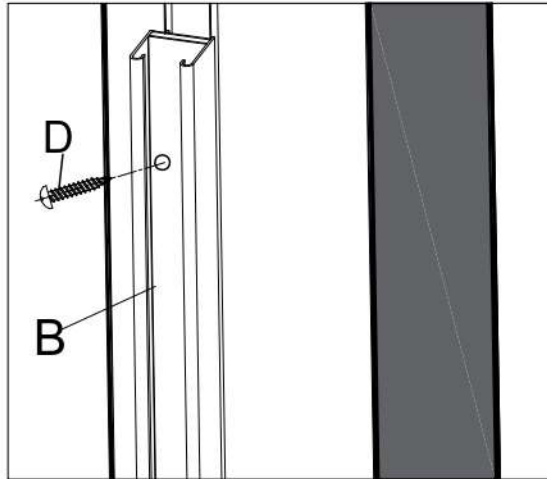


B x2



D x6

3:



4:

