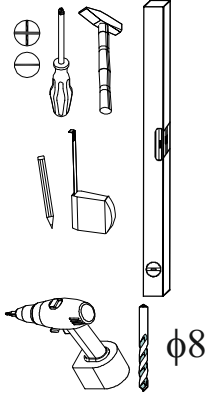
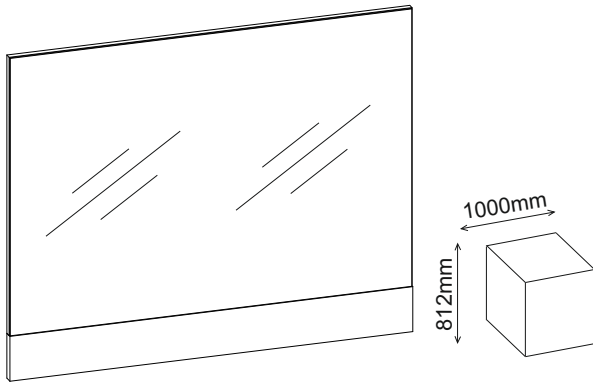


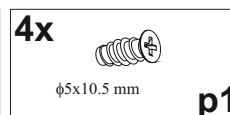
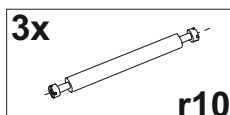
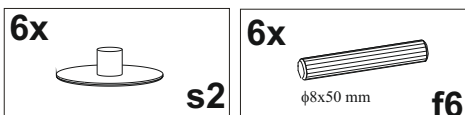
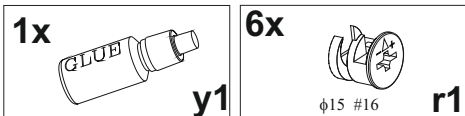
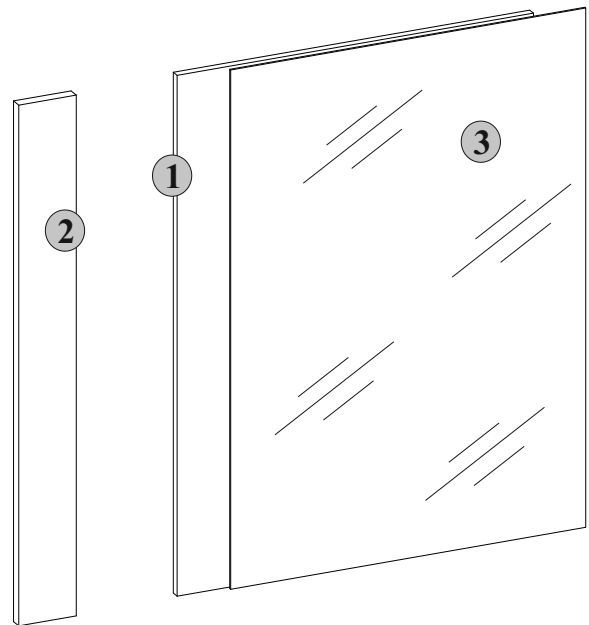
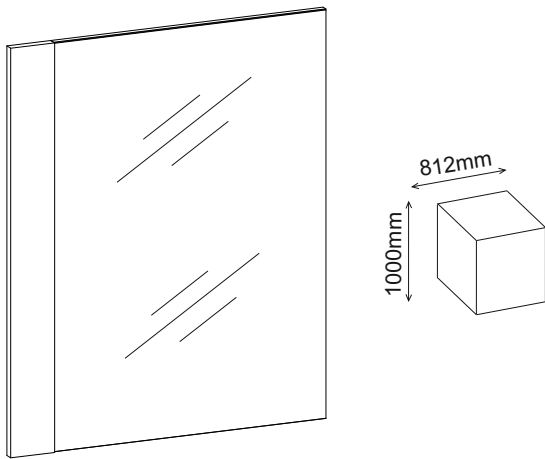
# Mirror



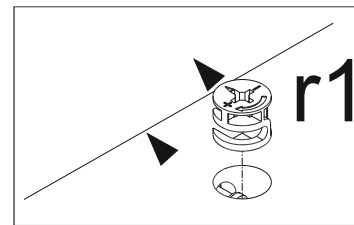
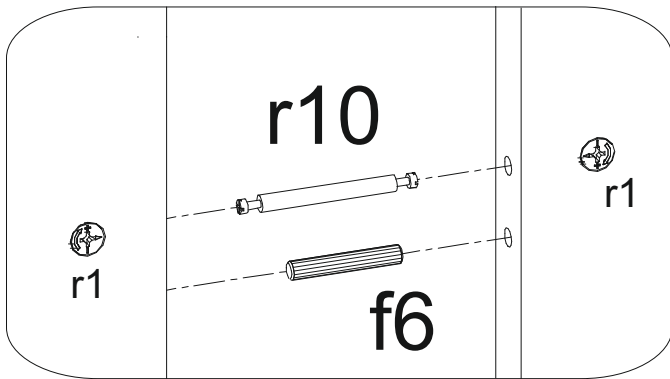
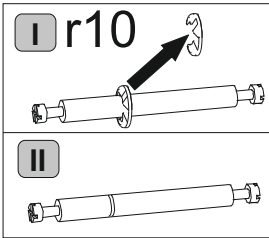
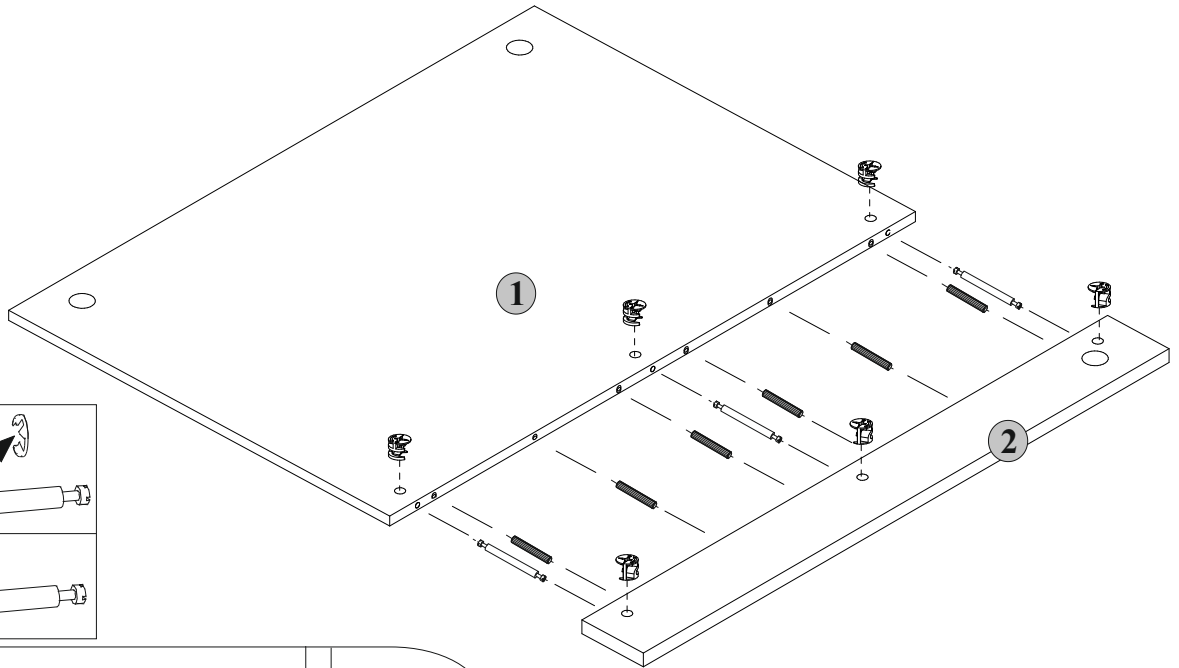
number	Measurements	Pcs.
1	1000x700	1
2	1000x112	1
3	998x698	1



or

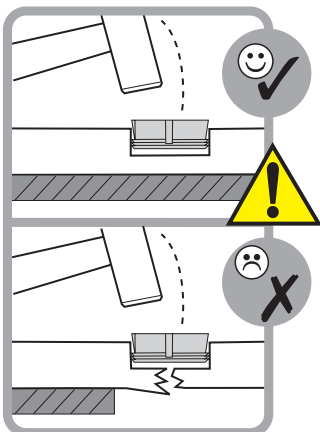
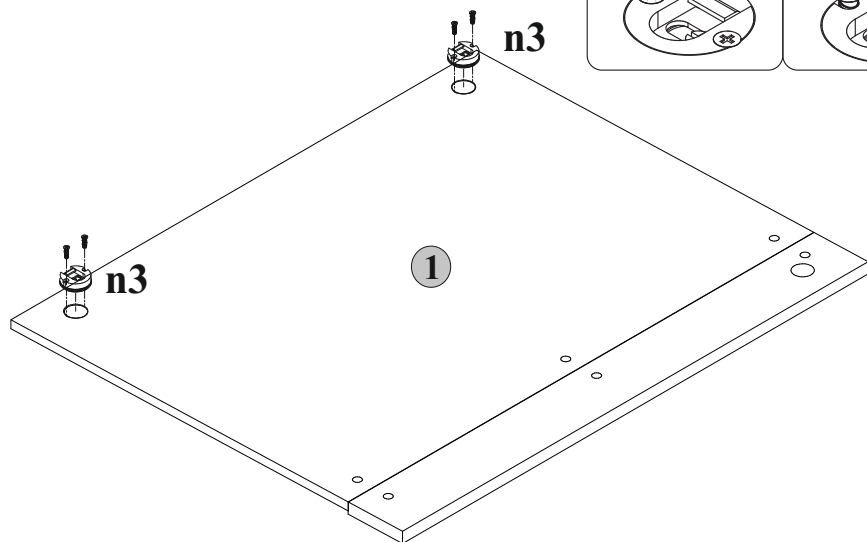
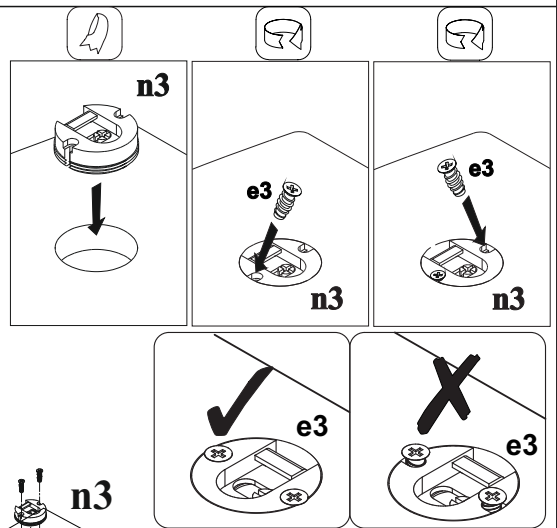
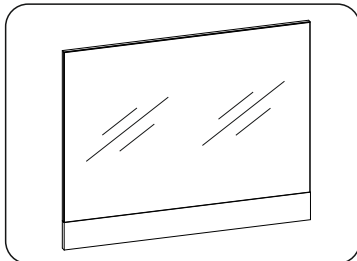


**I**



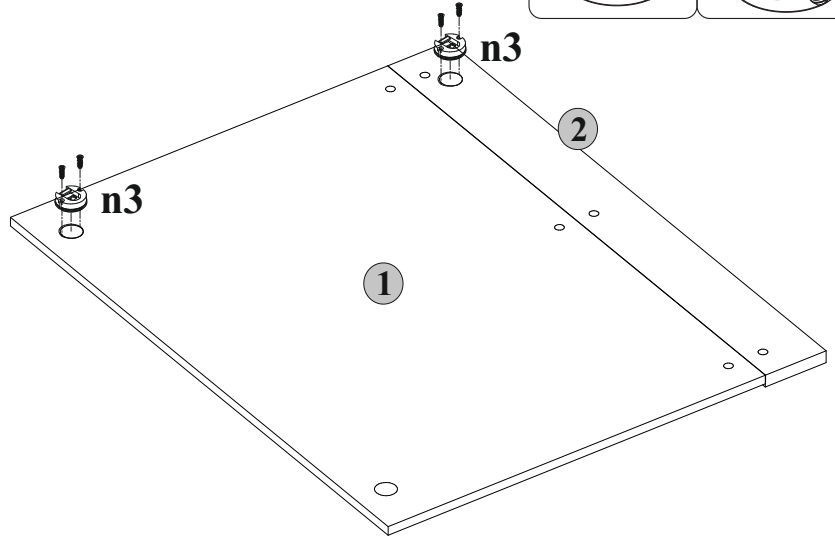
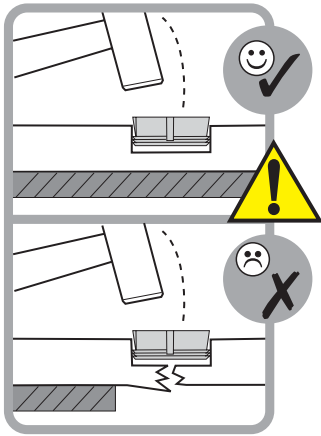
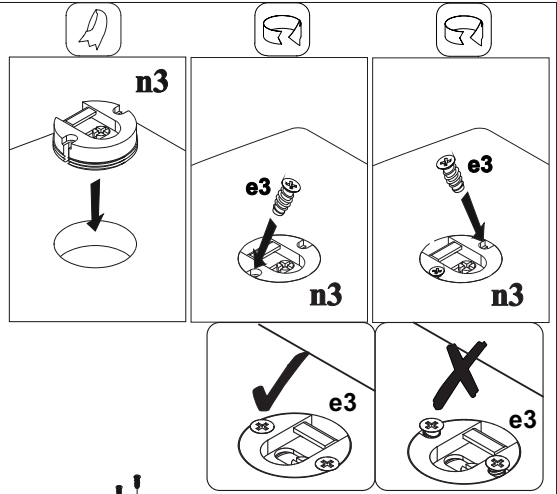
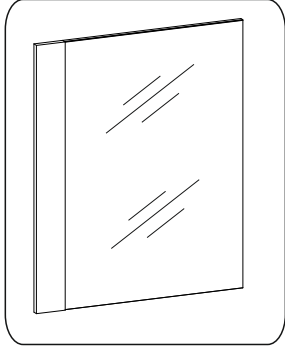
**2**

variant 1

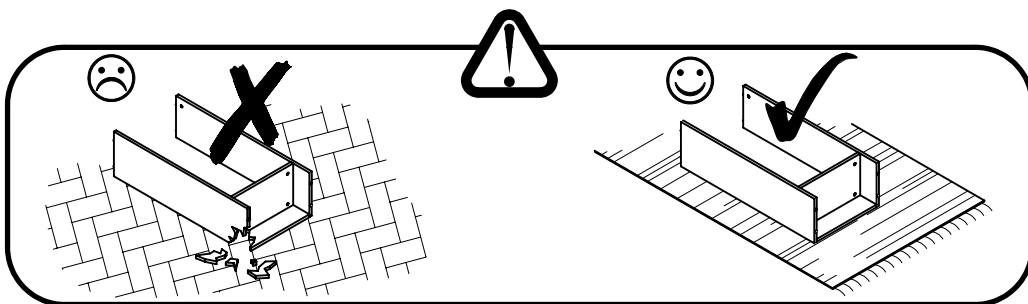
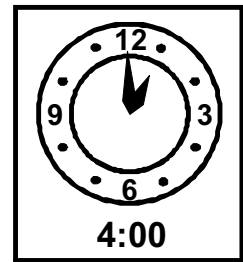
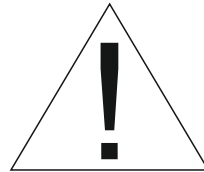
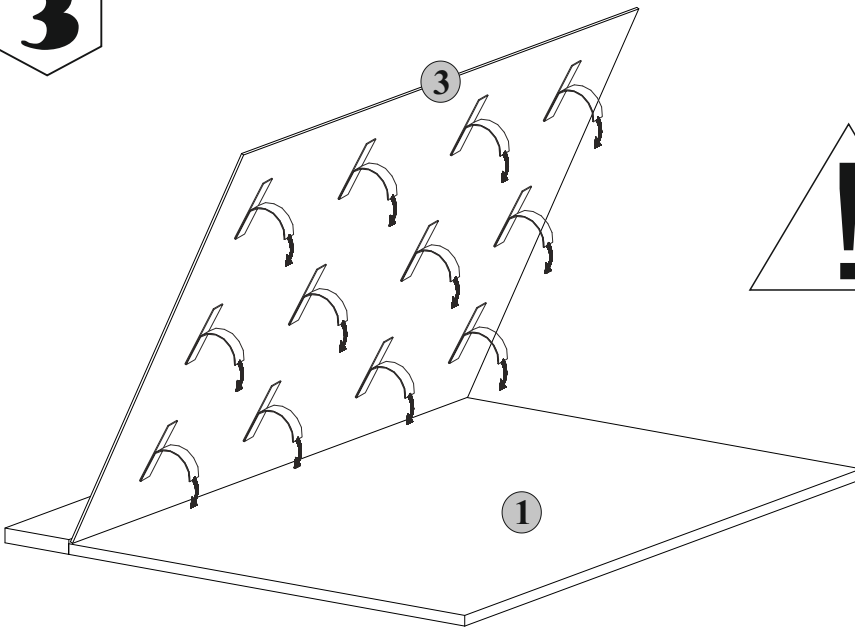


**2**

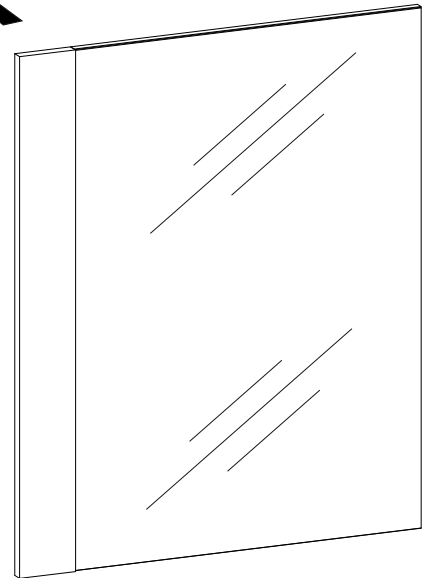
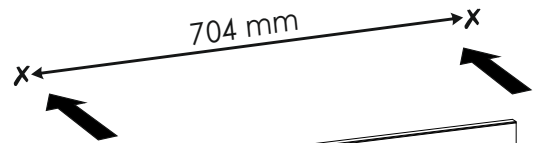
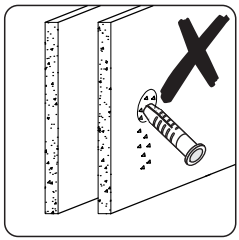
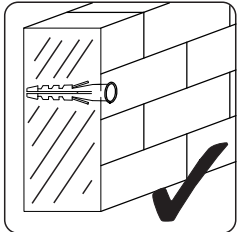
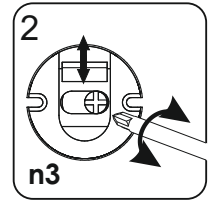
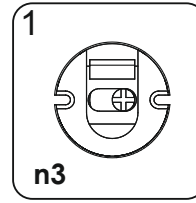
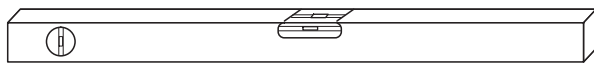
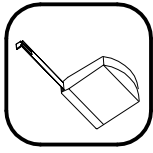
# 2 variant 2



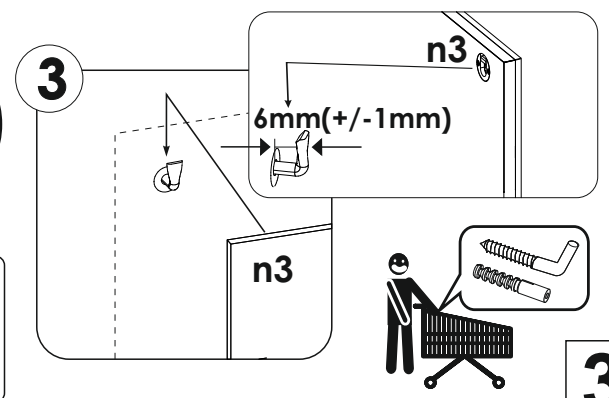
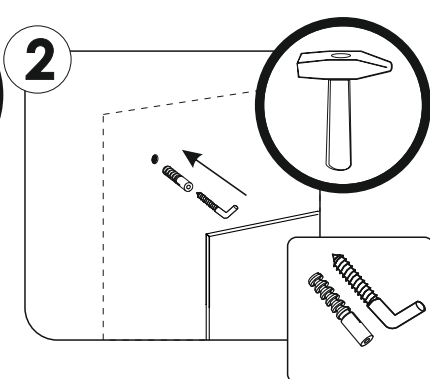
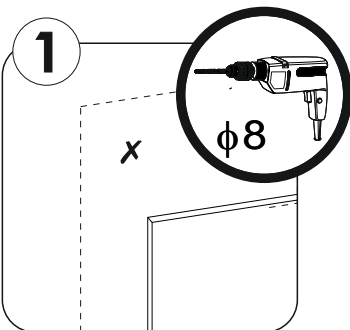
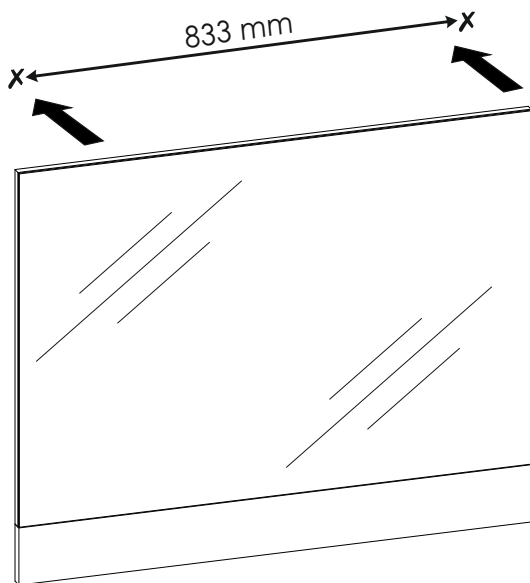
# 3



4



or



3