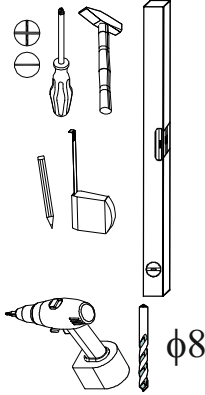
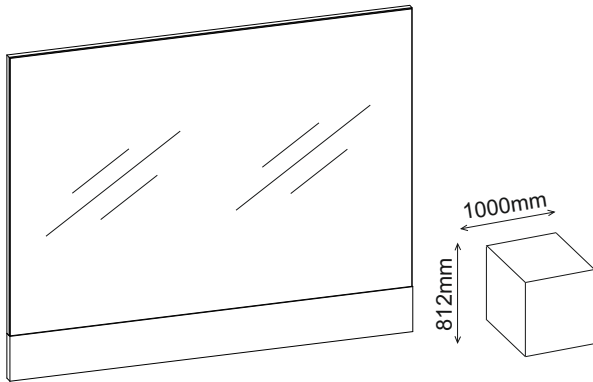


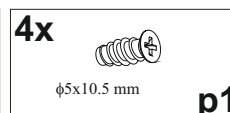
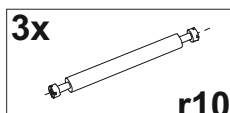
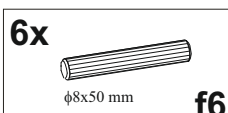
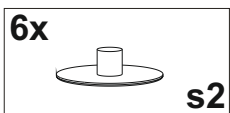
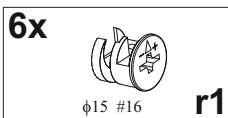
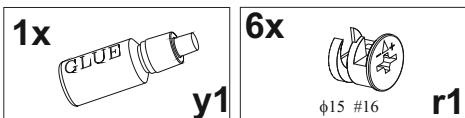
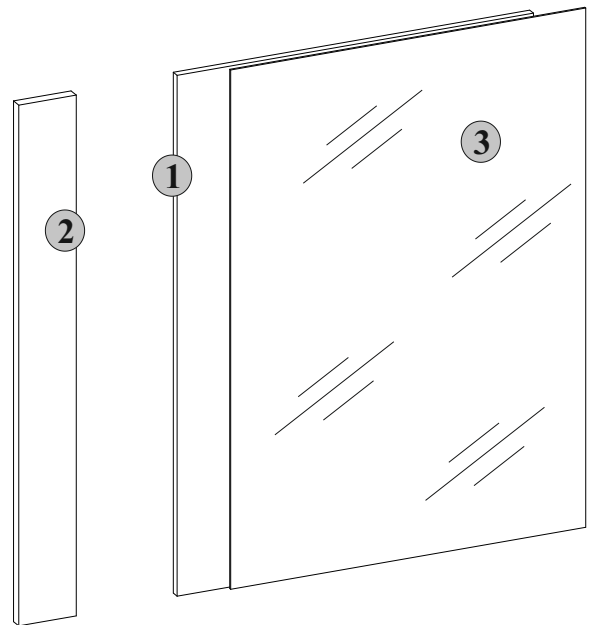
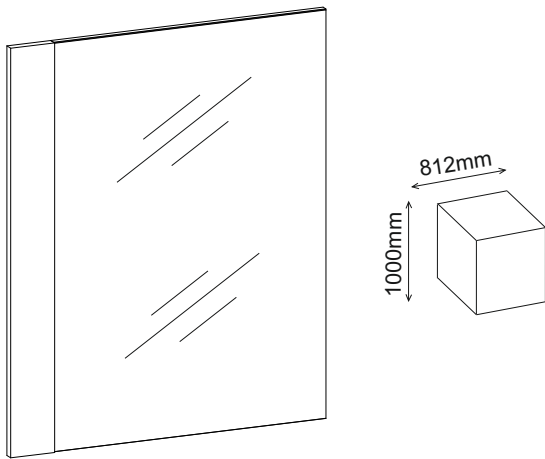
Mirror



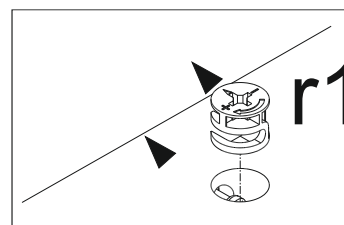
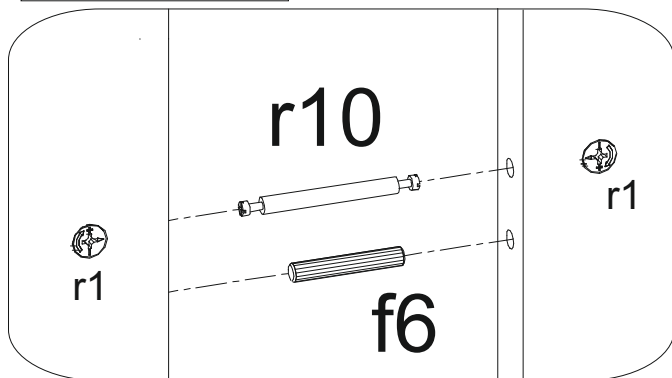
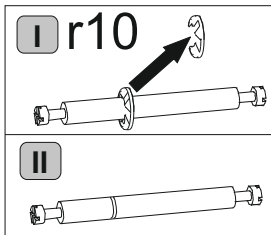
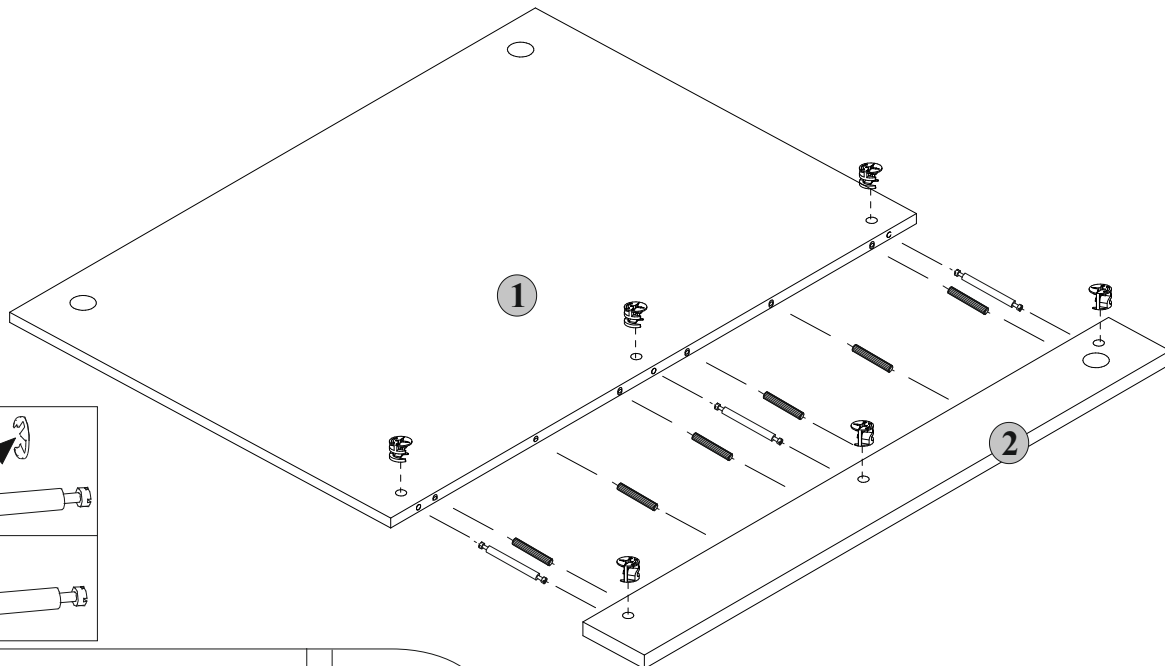
number	Measurements	Pcs.
1	1000x700	1
2	1000x112	1
3	998x698	1



or

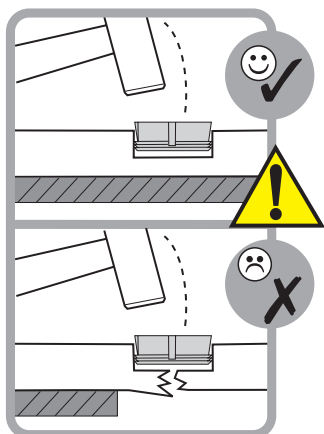
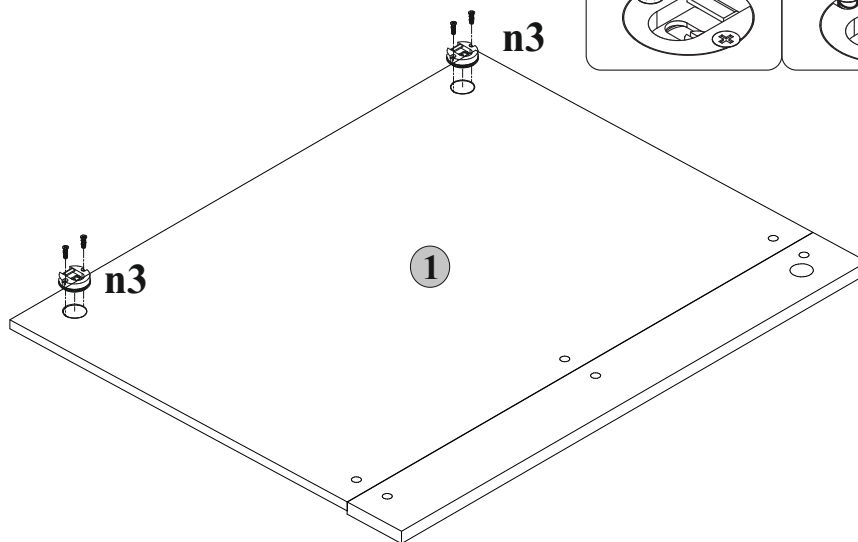
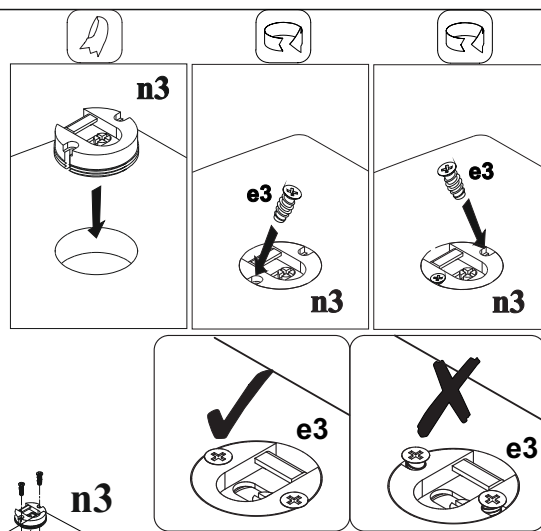
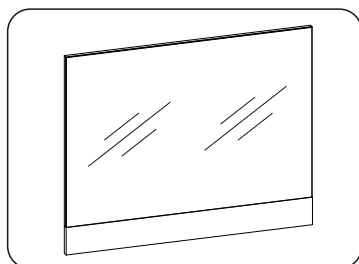


I



2

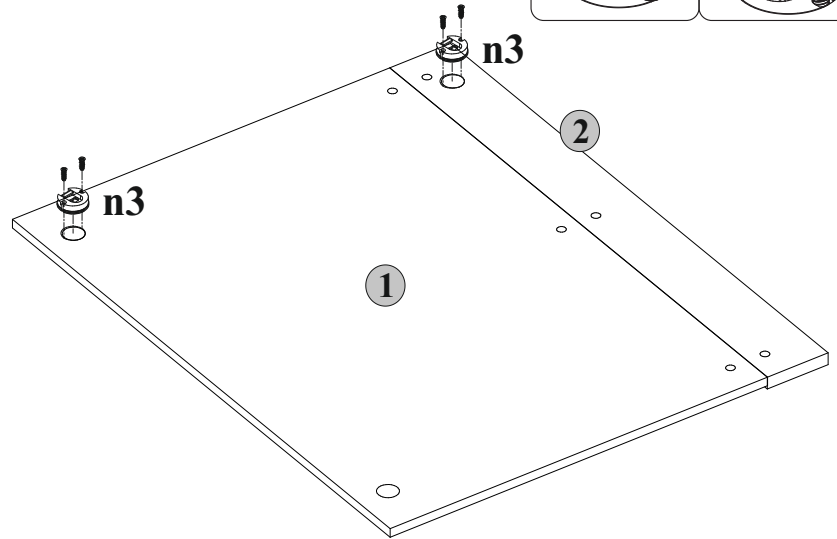
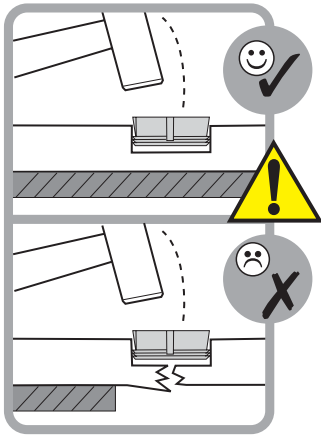
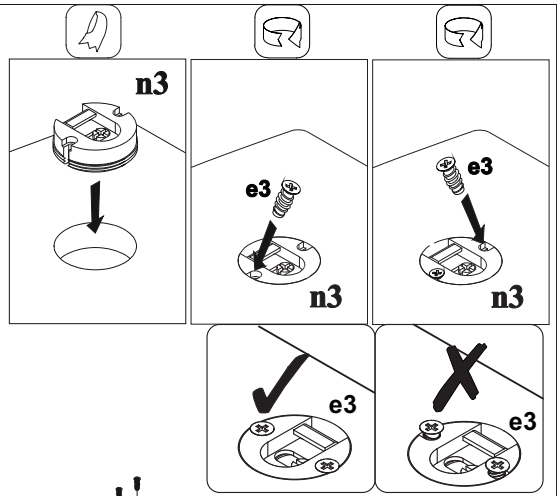
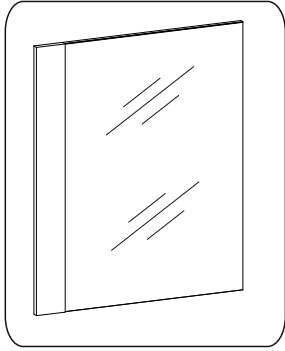
variant 1



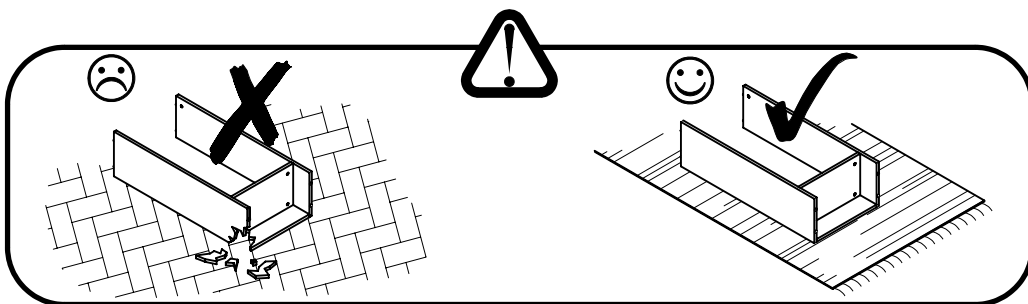
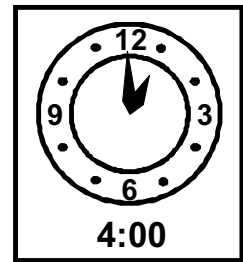
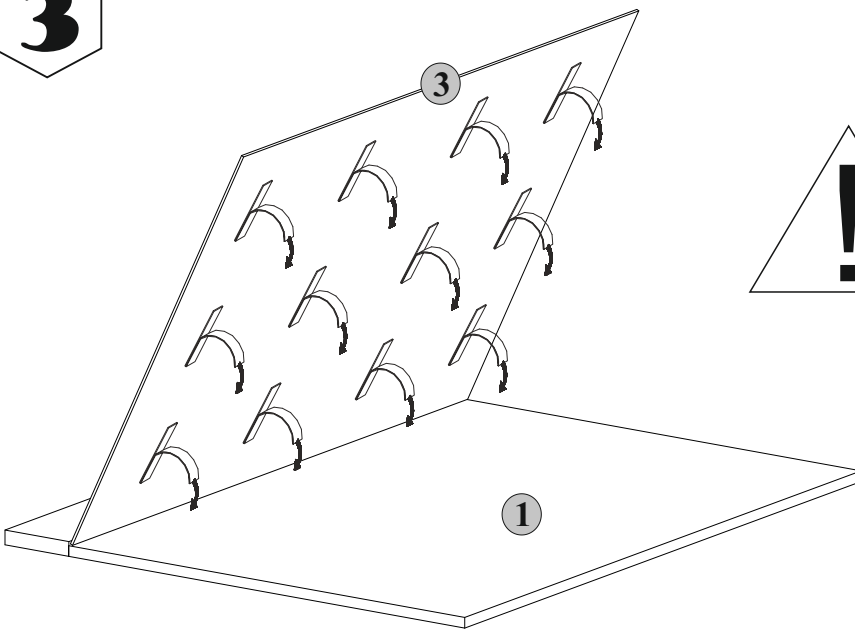
2

2

variant 2

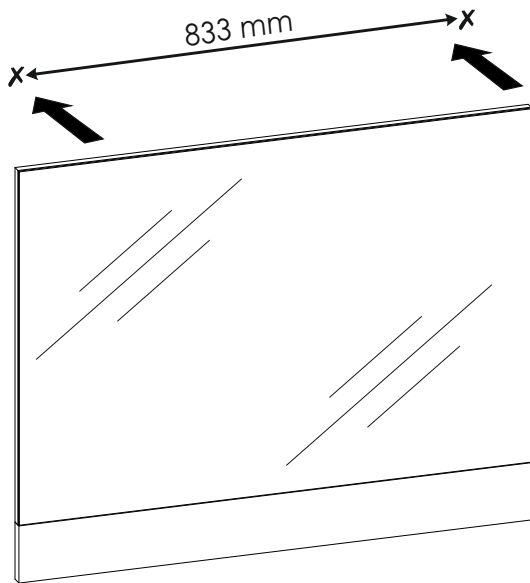
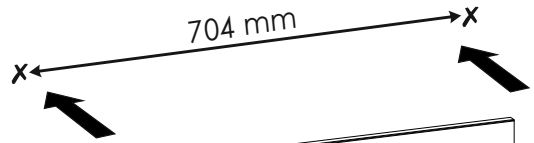
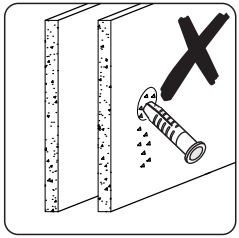
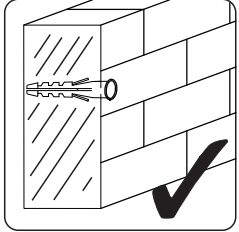
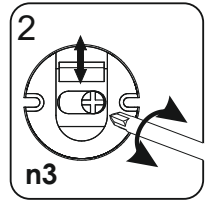
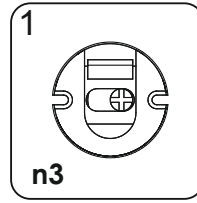
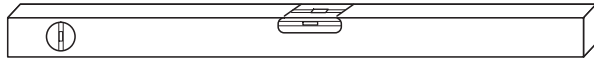
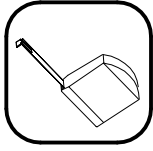


3

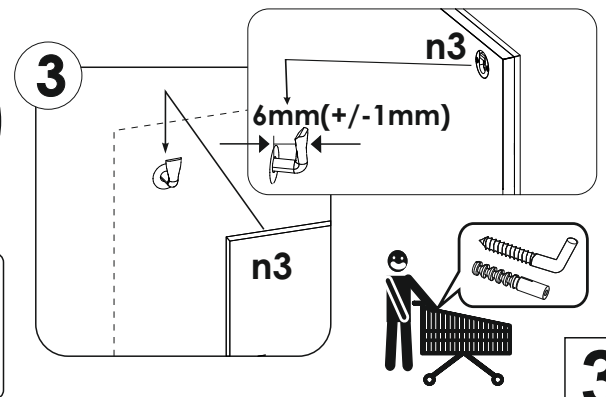
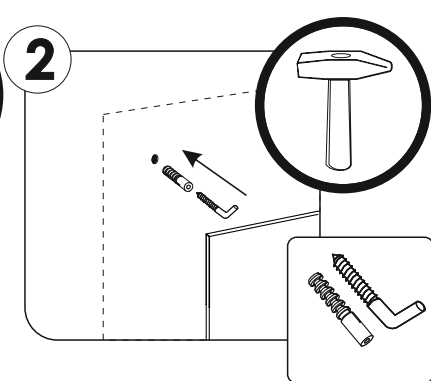
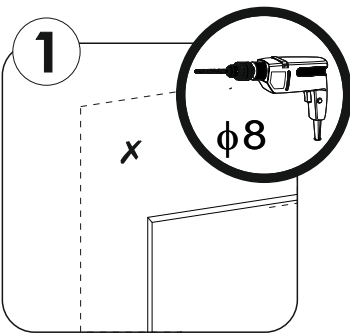
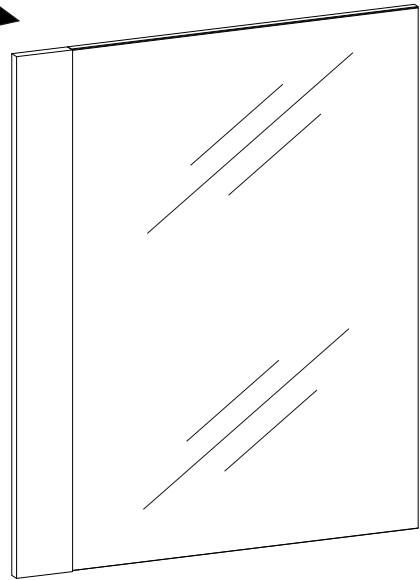


3

4

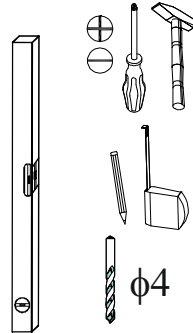
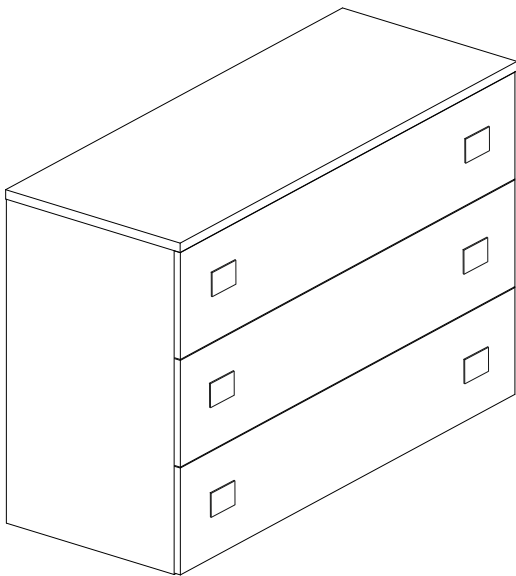


or

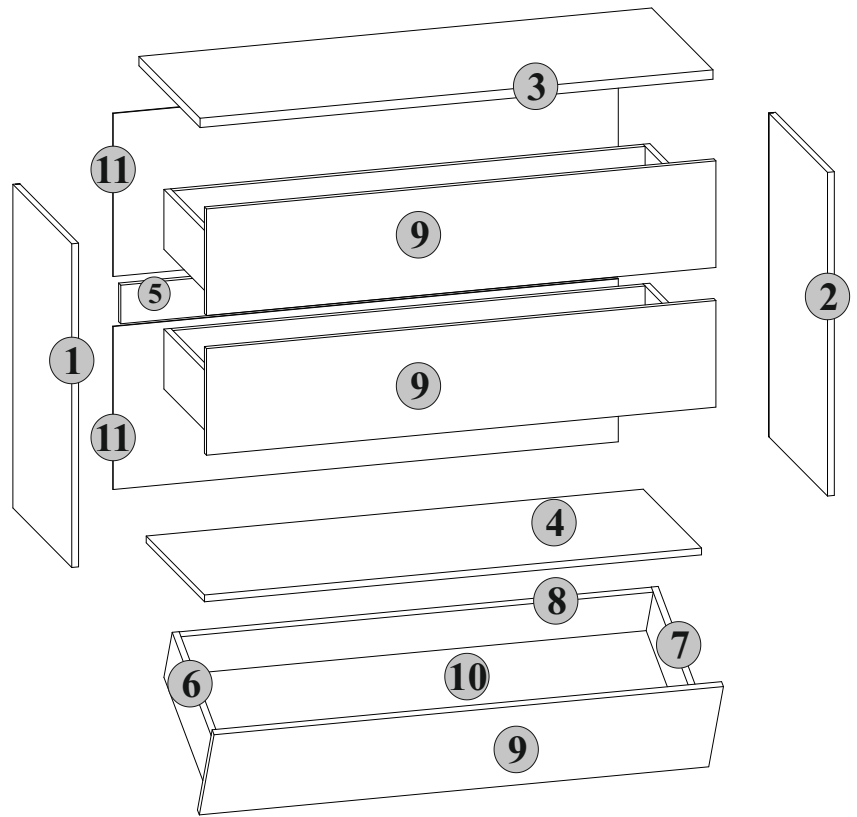
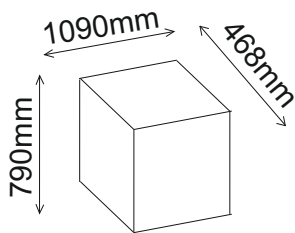


3

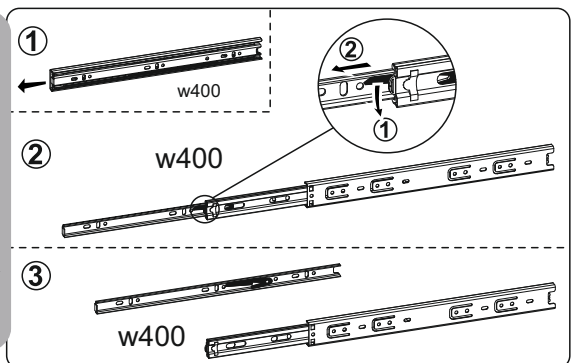
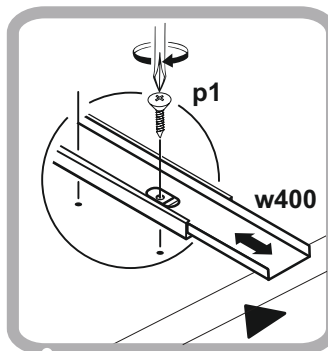
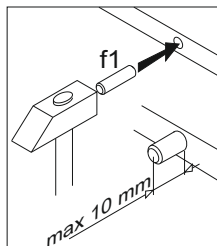
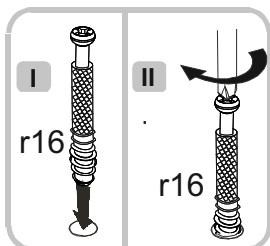
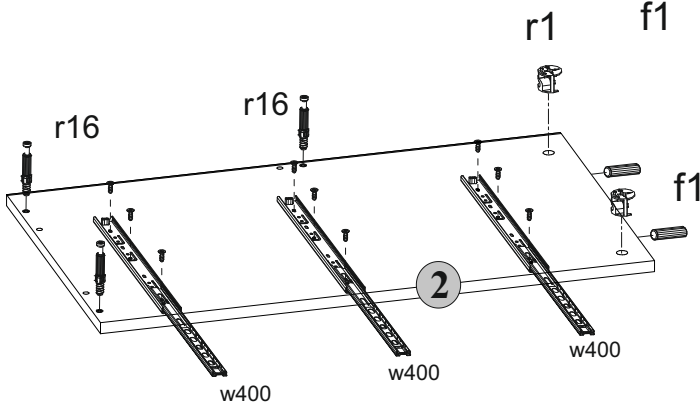
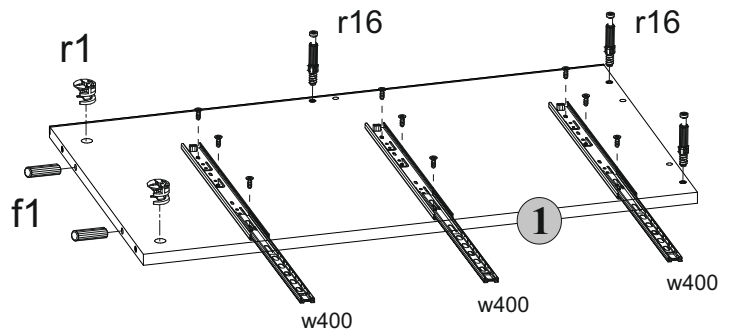
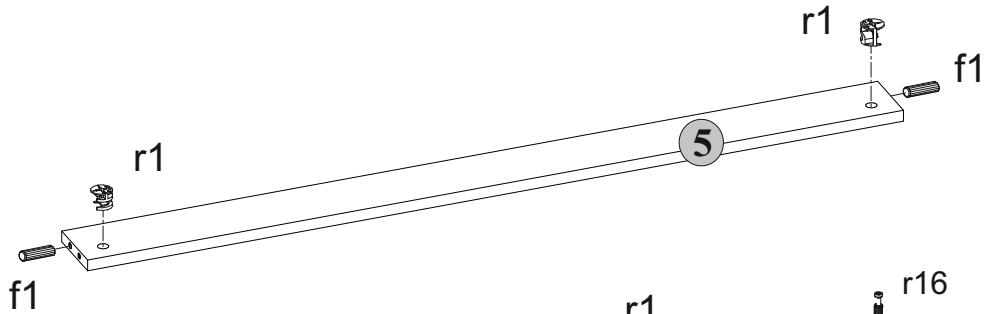
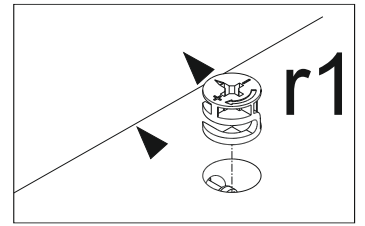
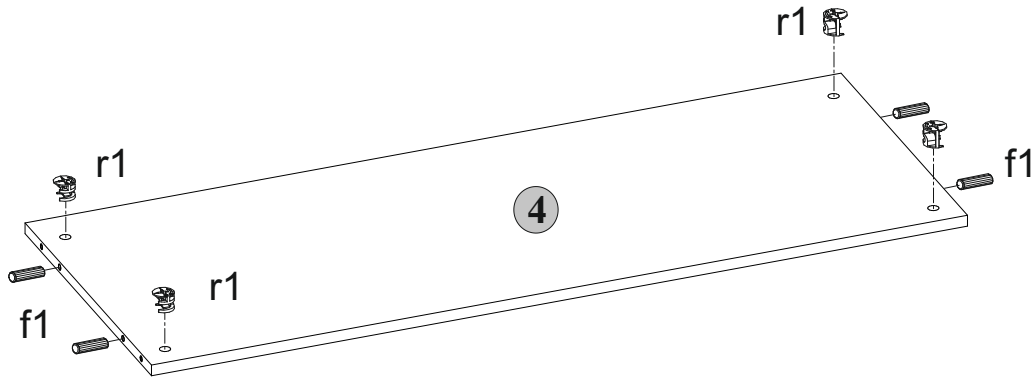
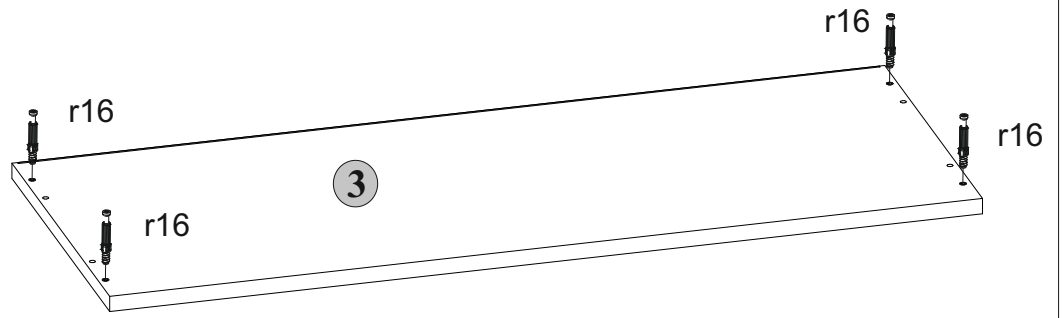
Chest of 3Drw



number	Measurements	Pcs.
1	762x450	1
2	762x450	1
3	1090x468	1
4	1054x446	1
5	1054x90	1
6	400x140	3
7	400x140	3
8	996x140	3
9	1082x250	3
10	1006x394	3
11	384x1073	2

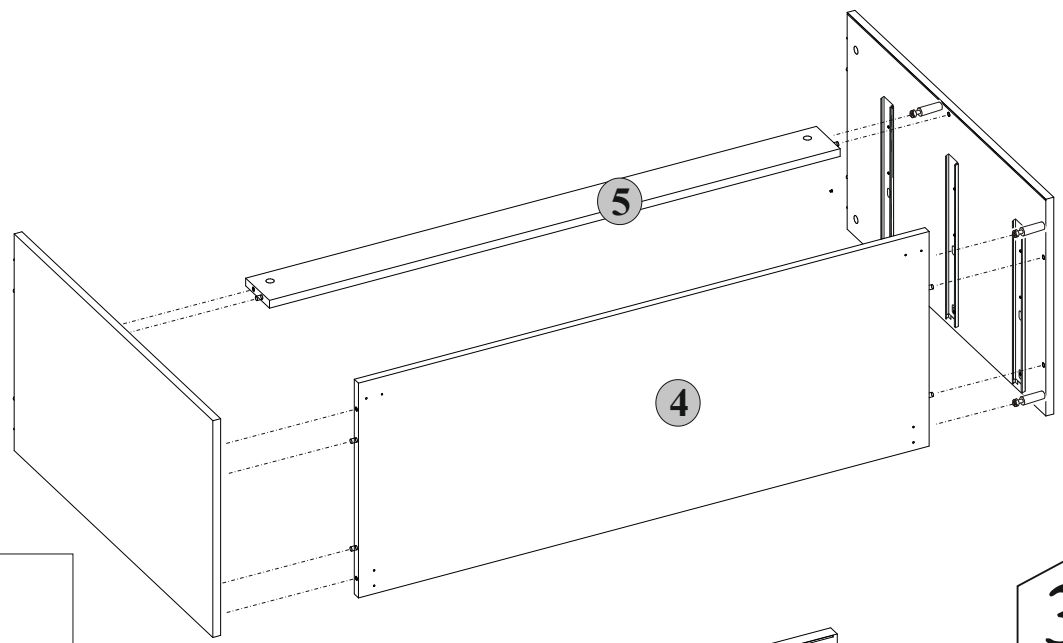


12x s1	6x M4x25 mm j8	1x GLUE y1	8x φ4x35 mm p36	6x t17	
12x φ6.3x50 mm e1	6x c30	4x k19	3x w400	1x z1	40x l1
48x φ3.5x13 mm p1	10x φ8x30 mm f1	22x φ15 #16 r1	22x r16	22x s2	1

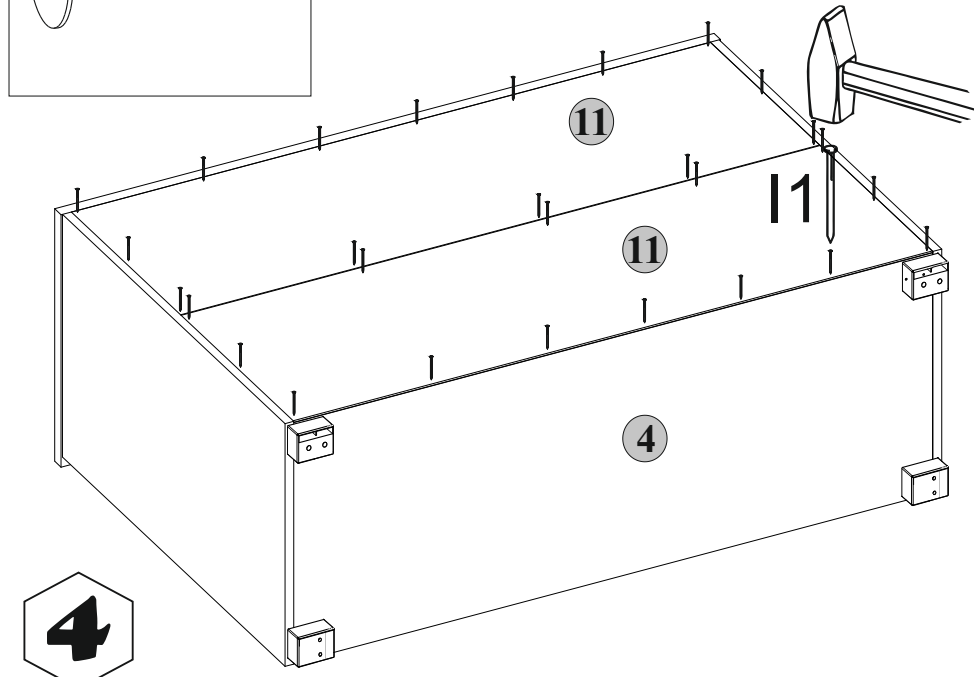
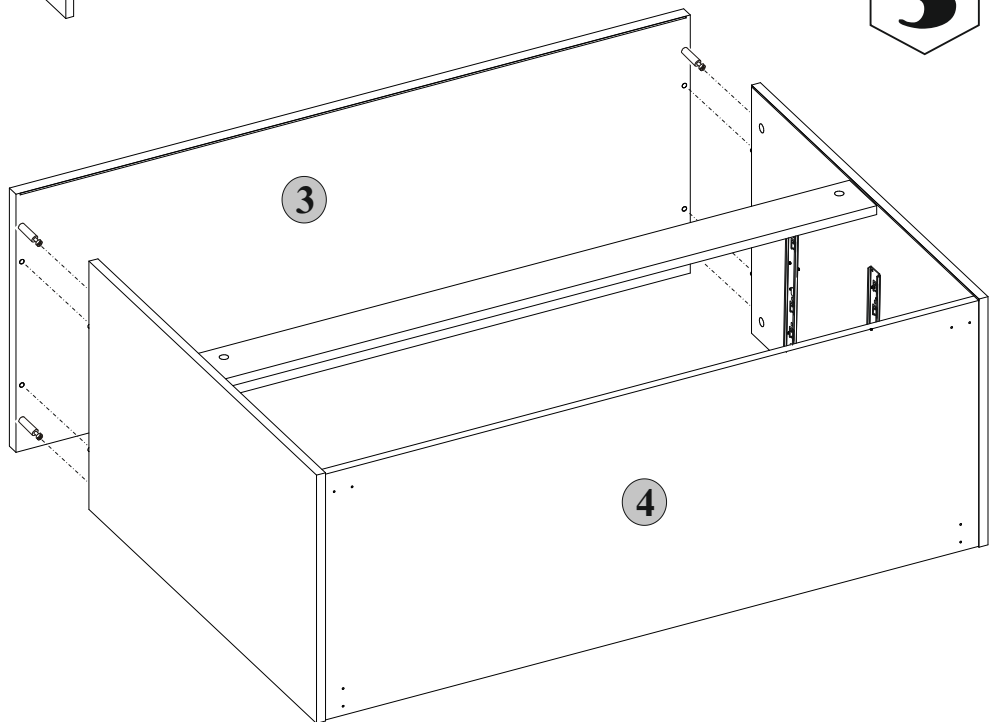
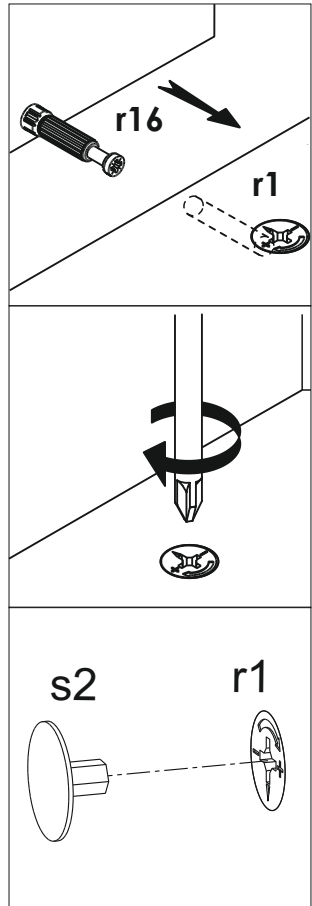


2

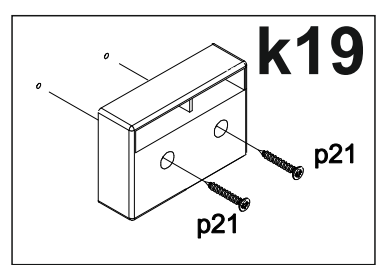
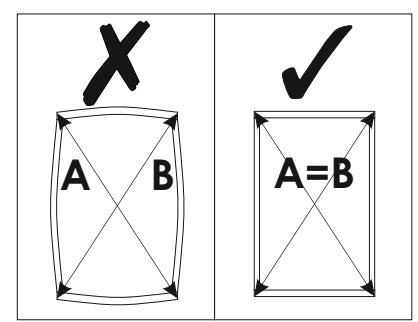
2



3

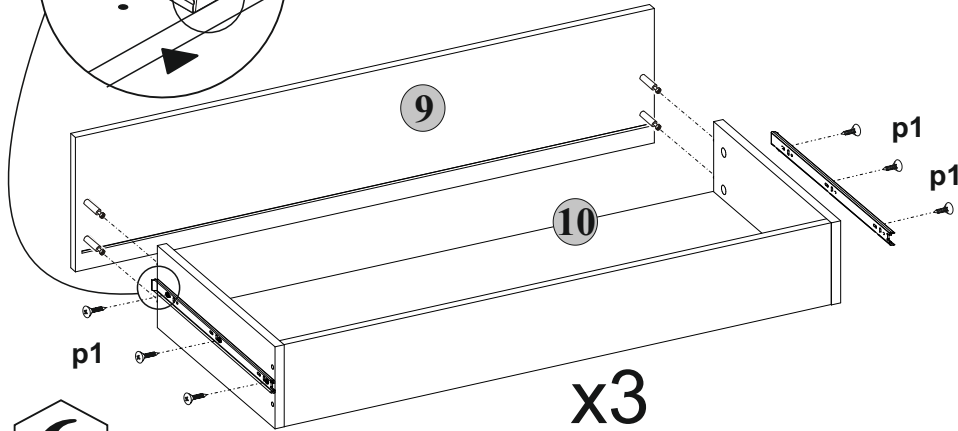
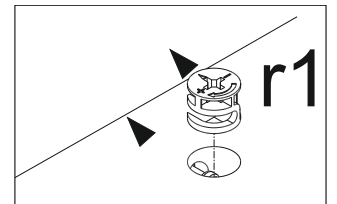
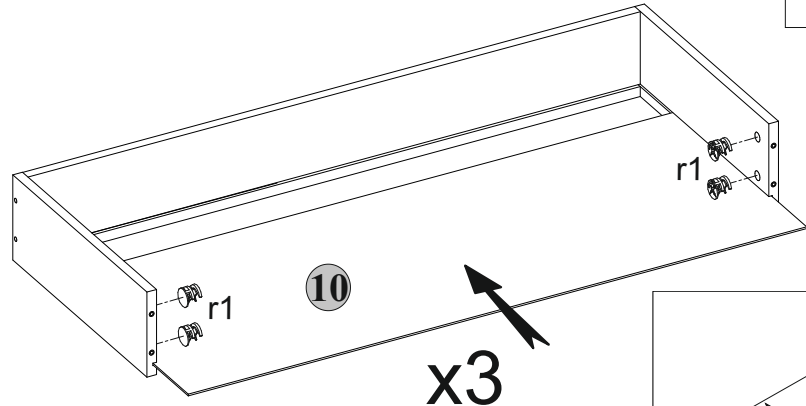
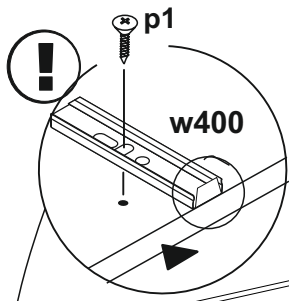
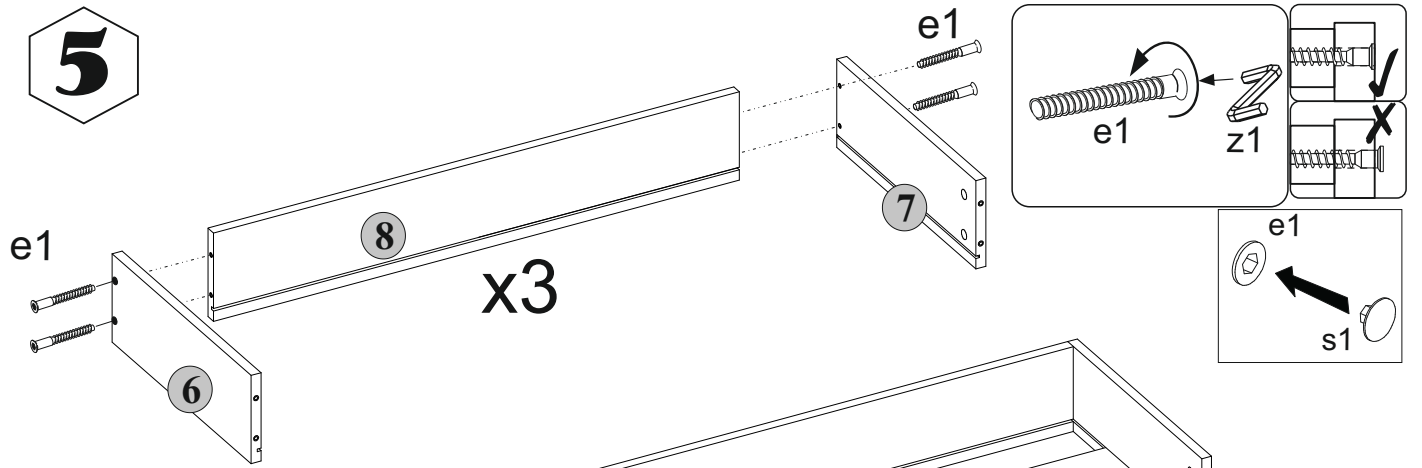


4

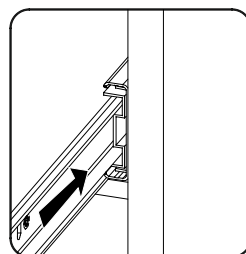
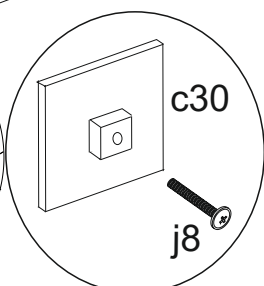
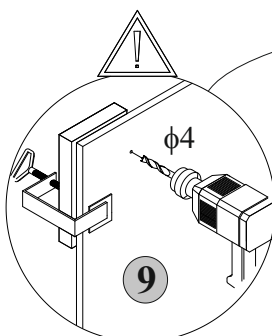
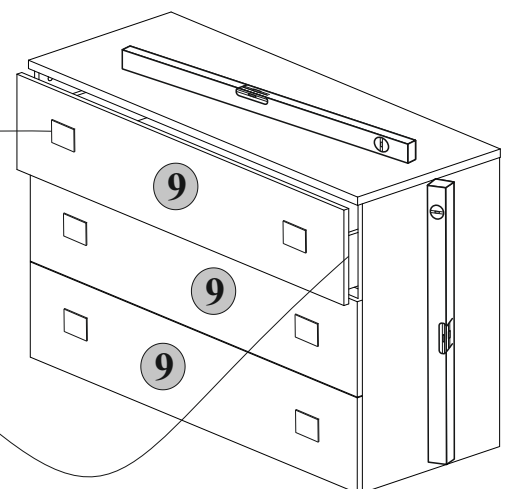
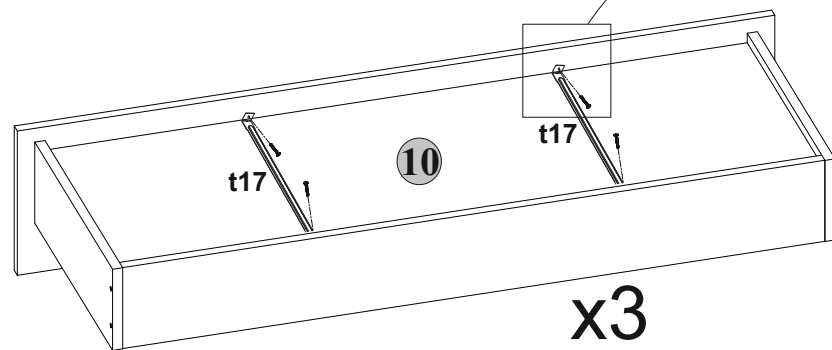
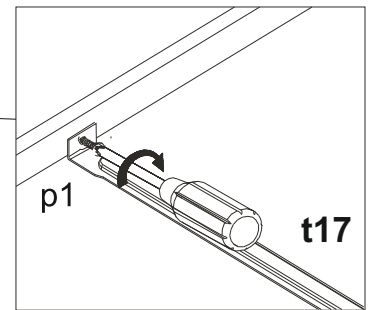


3

5

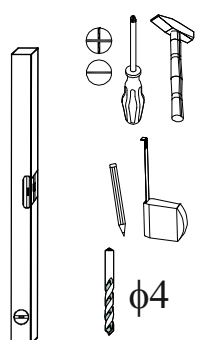
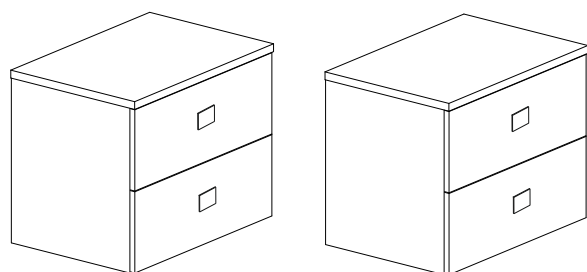


6

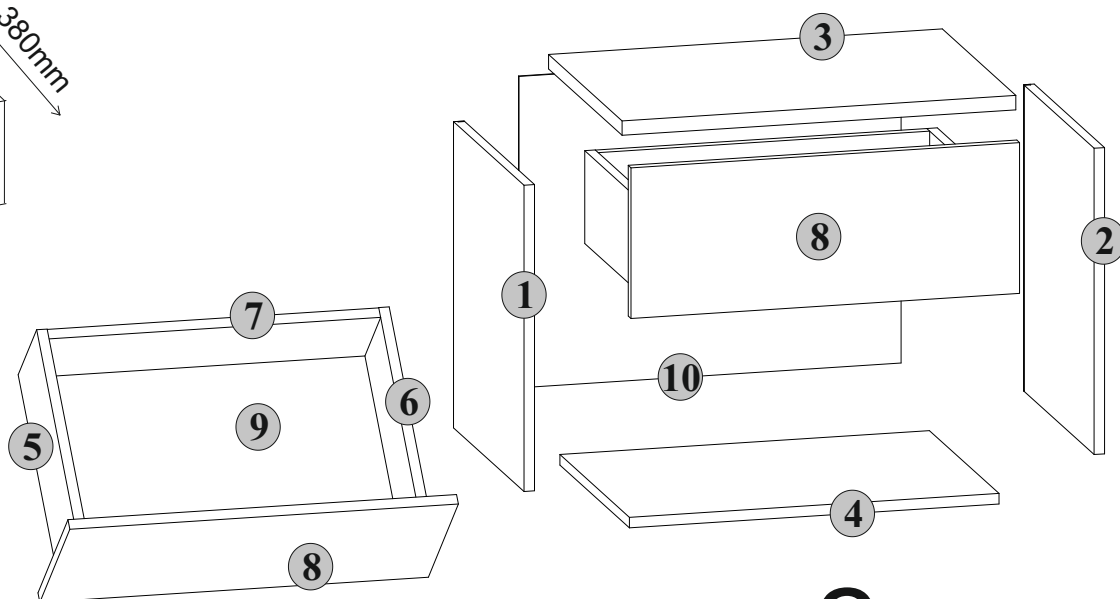
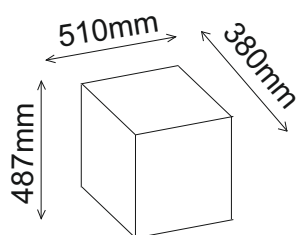


4

Nightstand



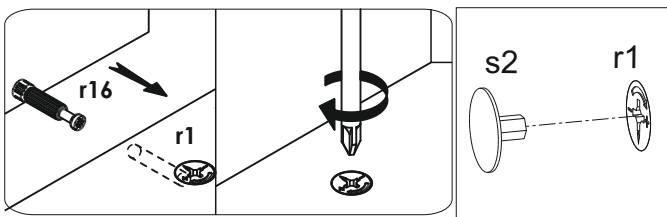
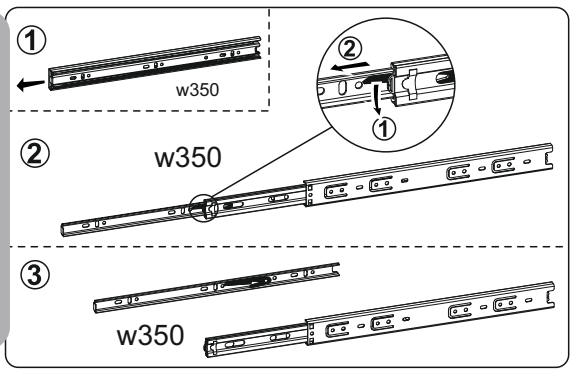
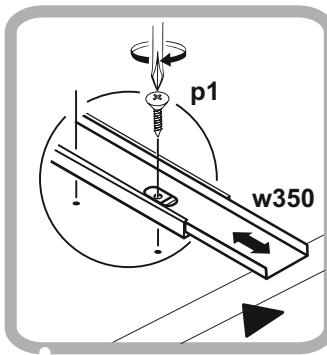
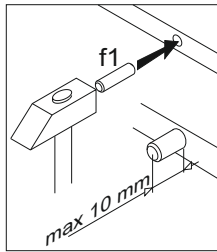
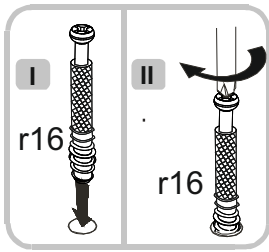
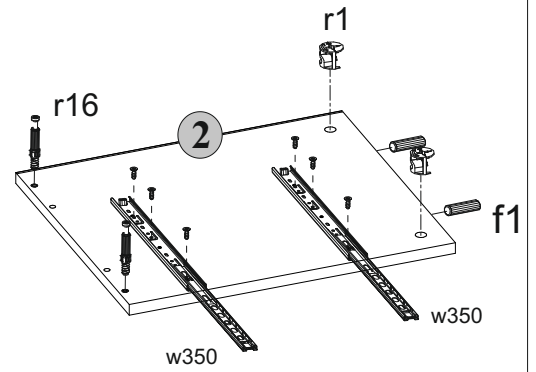
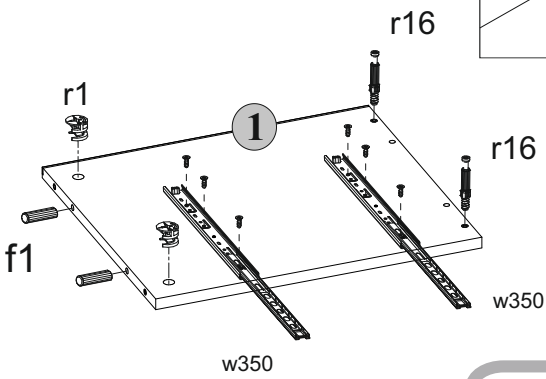
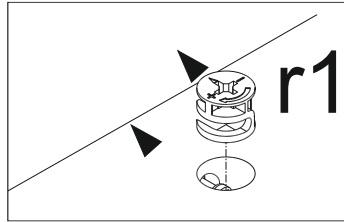
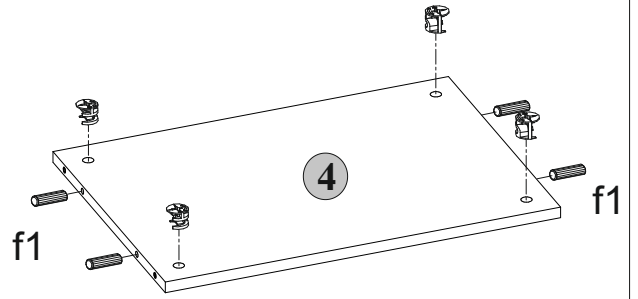
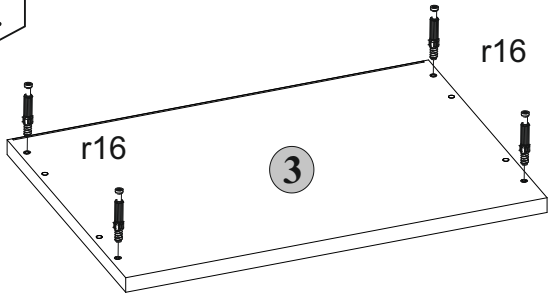
number	Measurements	Pcs.
1	465x362	1
2	465x362	1
3	510x380	1
4	474x358	1
5	350x140	2
6	350x140	2
7	416x140	2
8	502x228	2
9	426x344	2
10	473x493	1



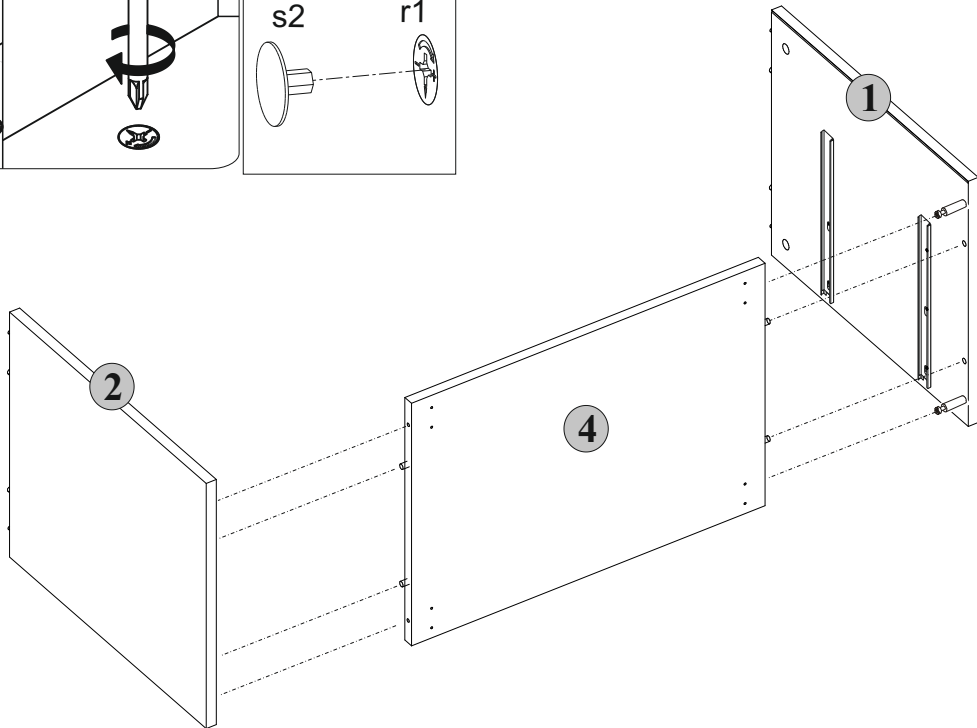
x2

16x s1	4x M4x25 mm j8	1x GLUE y1	16x φ4x35 mm p36
16x φ6.3x50 mm e1	4x c30	8x k19	4x w350
48x φ3.5x13 mm p1	16x φ8x30 mm f1	32x φ15 #16 r1	1x z1
		32x r16	60x l1
		32x s2	1

I

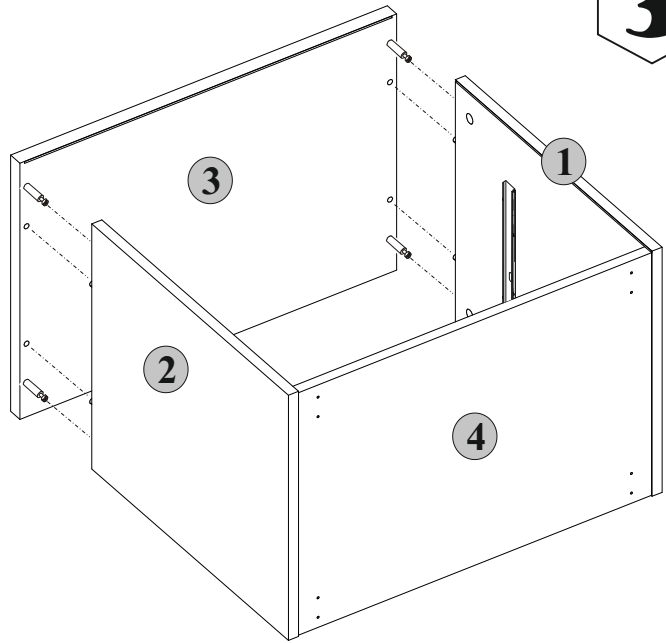
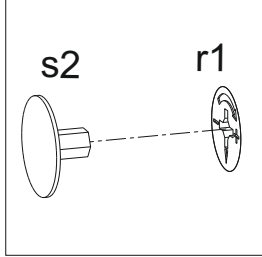
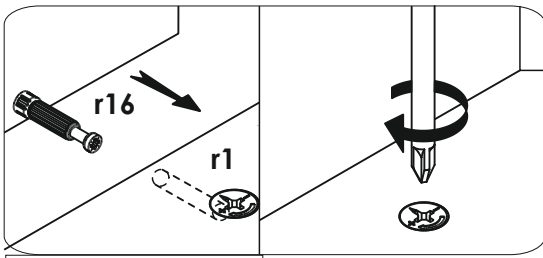


2

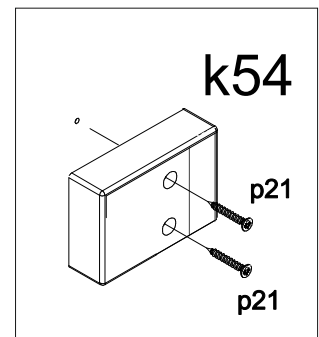
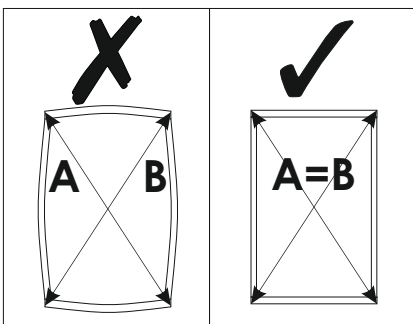
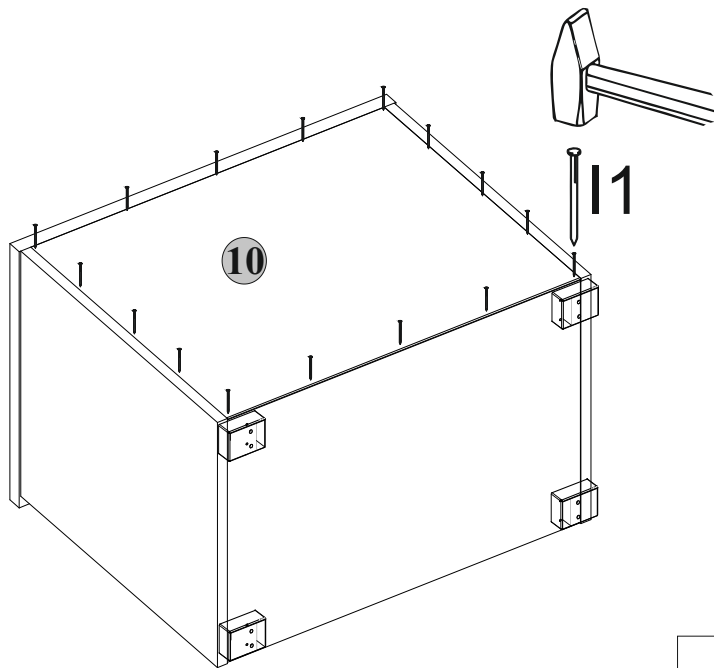


2

3

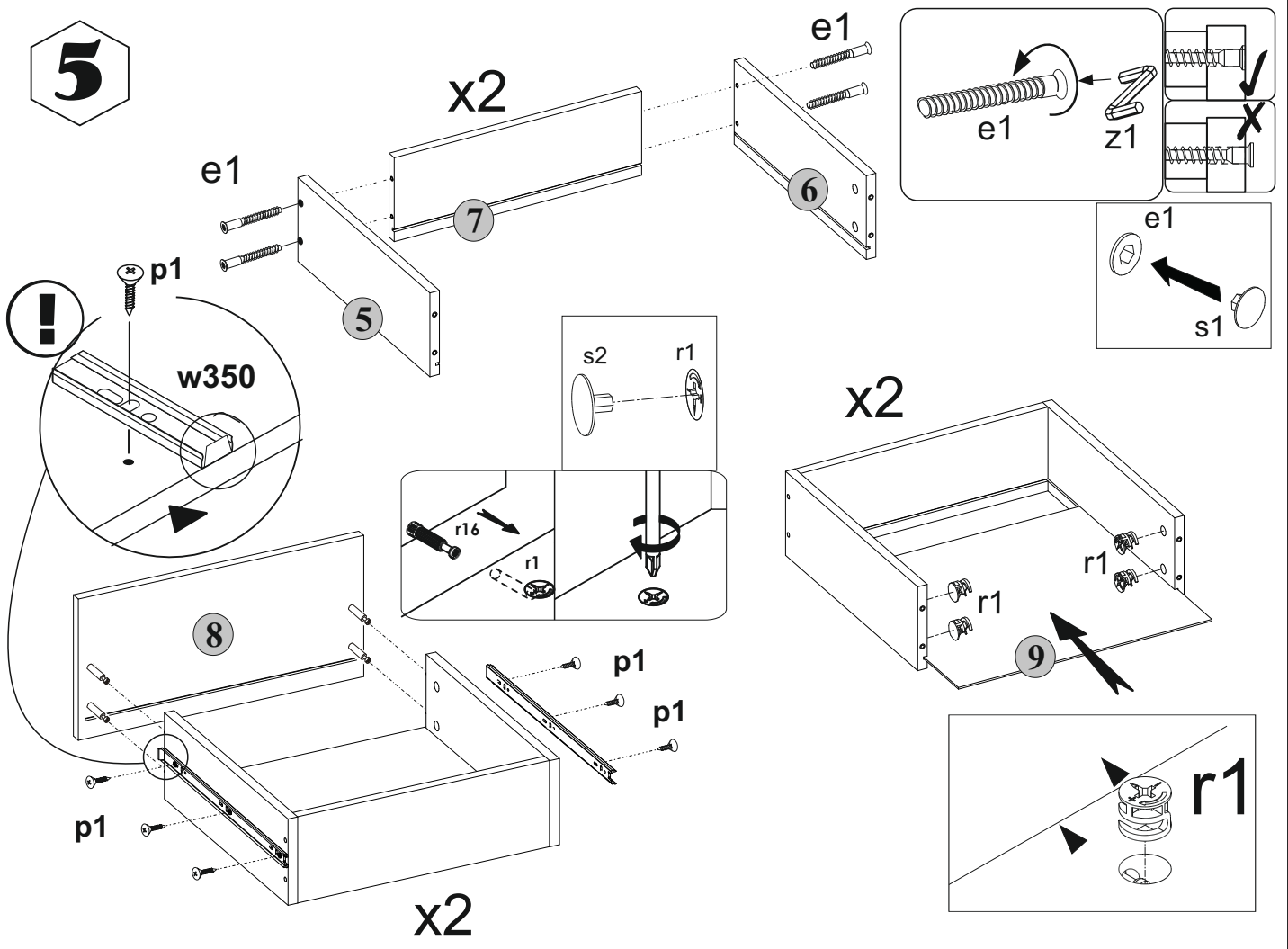


4

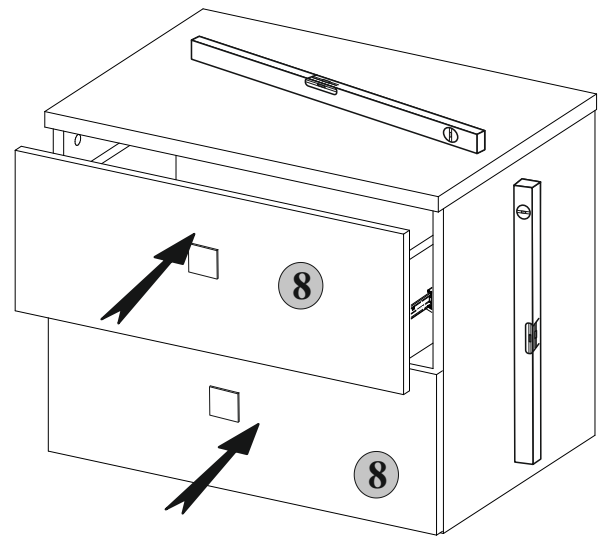
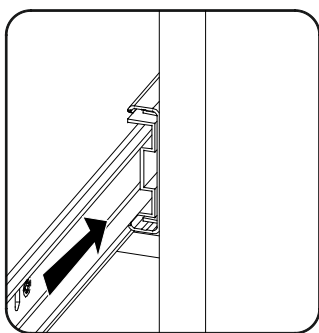
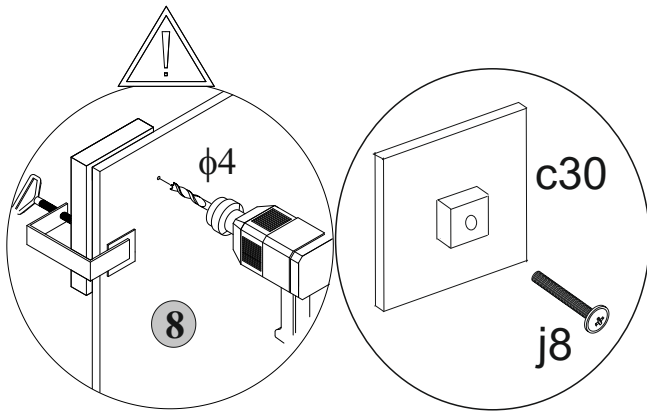


3

5

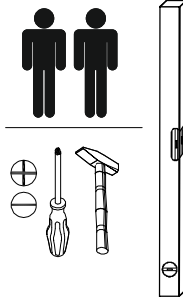


6

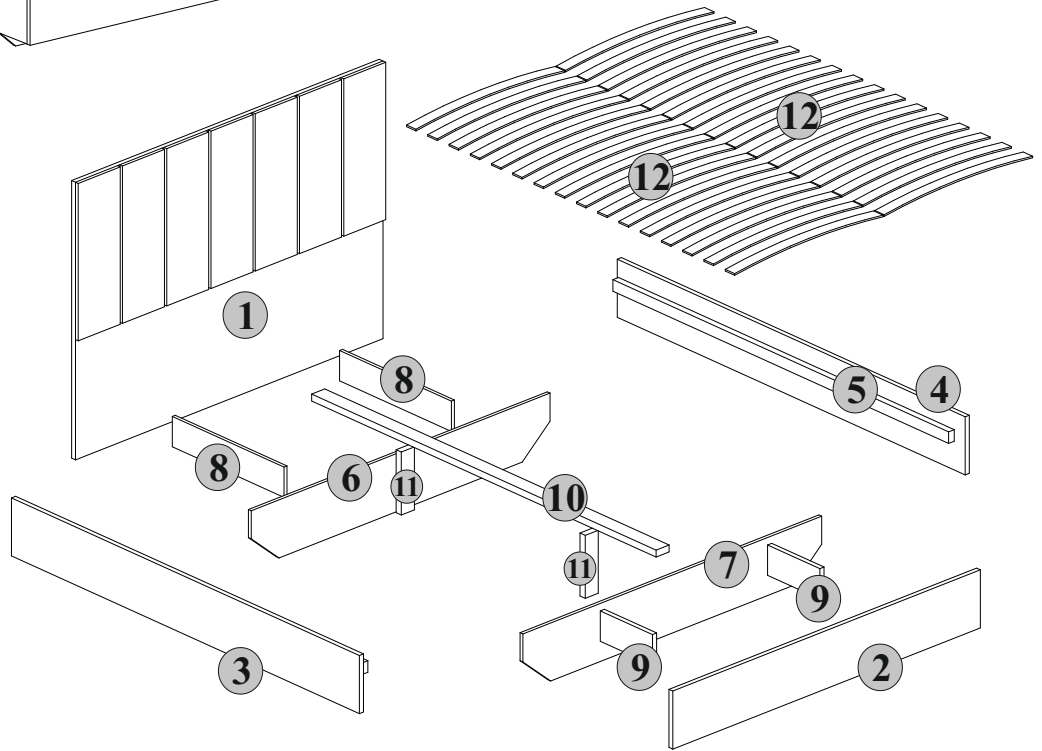
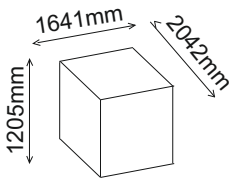
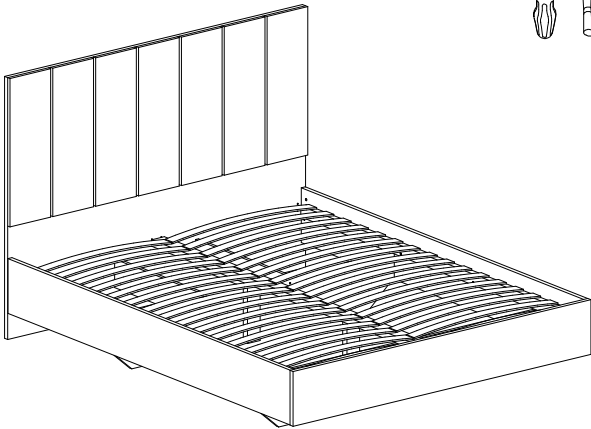


4

Bed 160

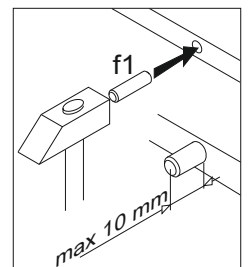
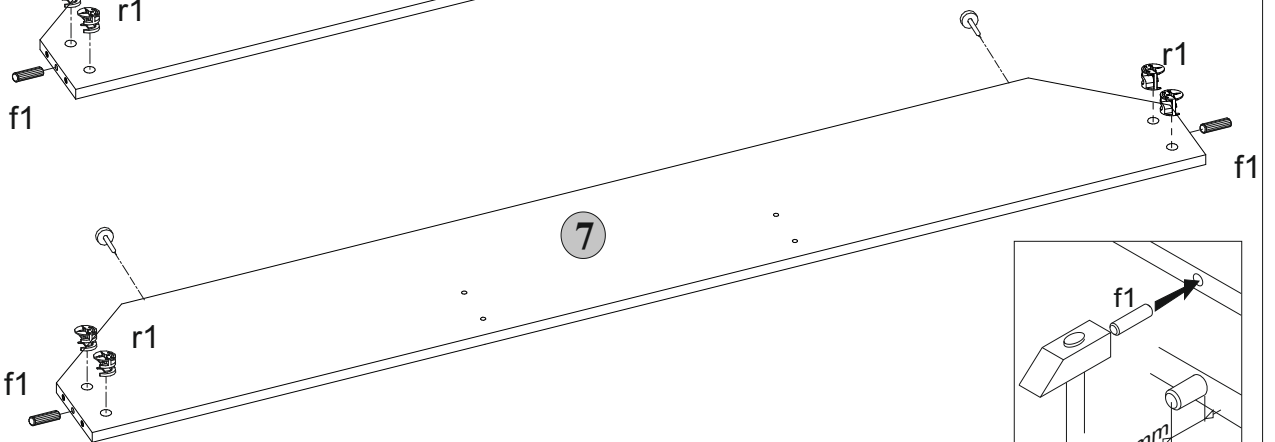
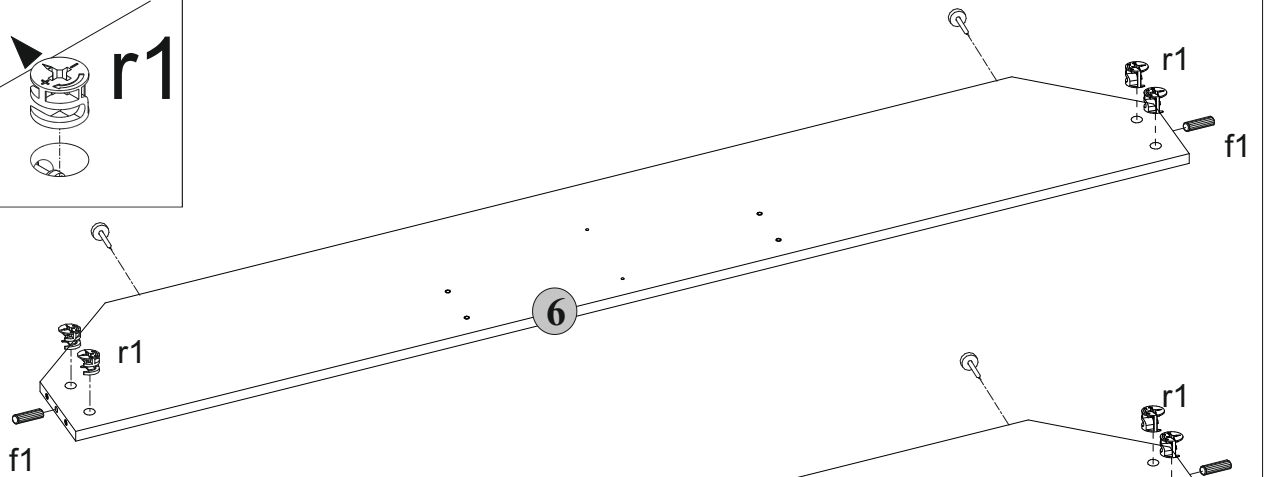
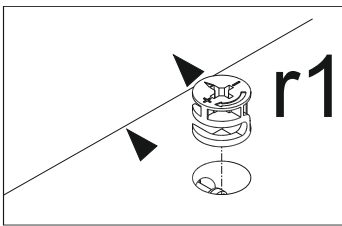
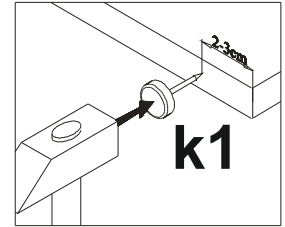
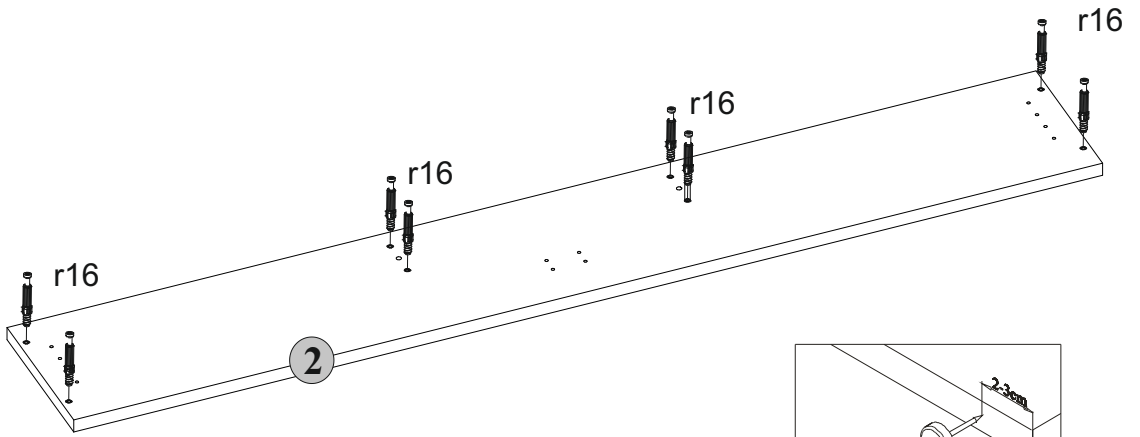
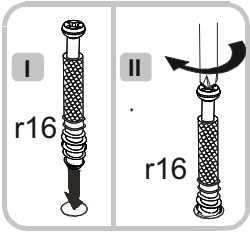
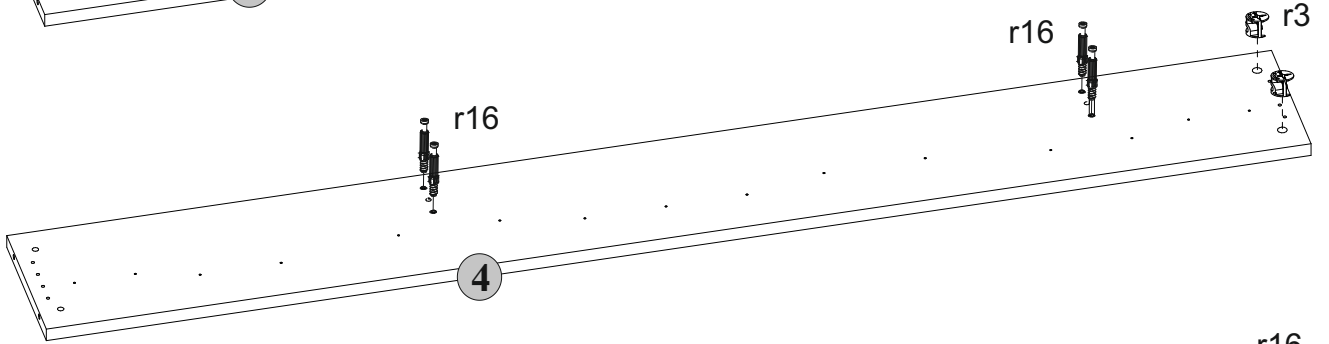
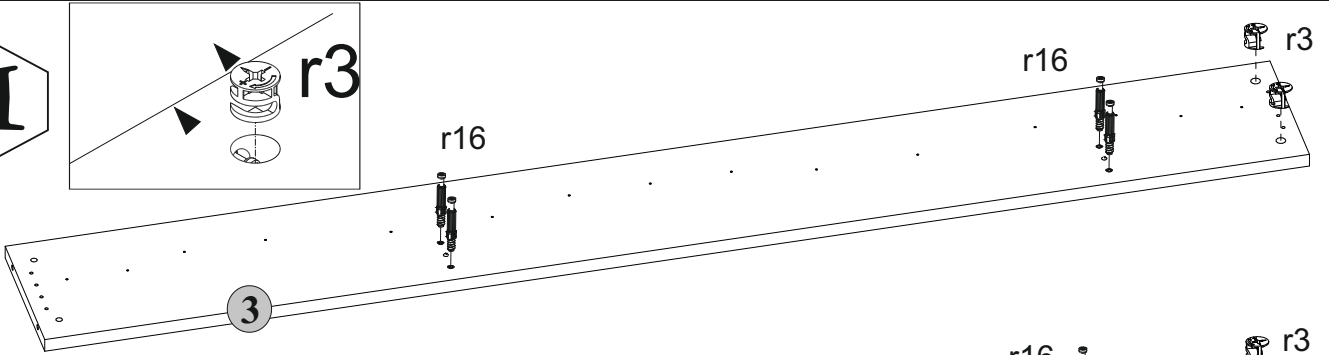
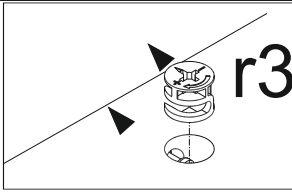


number	Measurements	Pcs.
1	1200x1647	1
2	1646x250	1
3	1998x250	1
4	1998x250	1
5	1928x50	2
6	1600x250	1
7	1600x250	1
8	642x130	2
9	300x130	2
10	1978x70	1
11	272x70	2
12	795x54	32



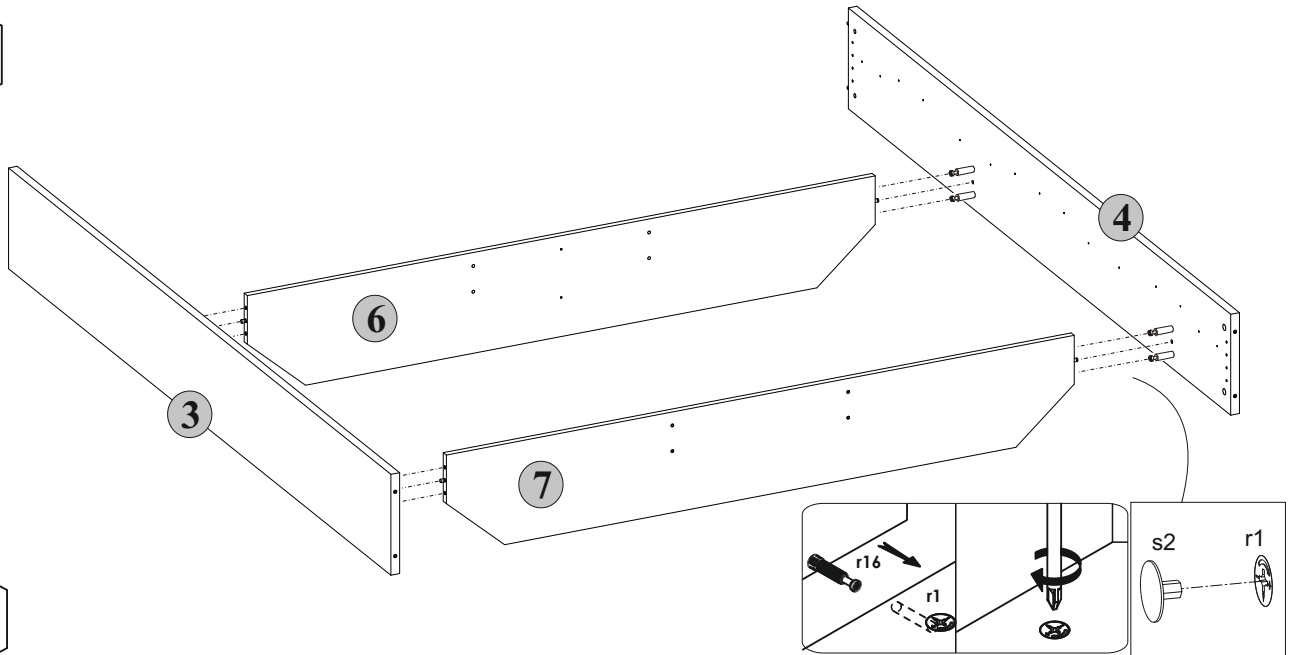
8x φ15 #22 r3	8x φ15 #16 r1	16x r16	8x s2
8x φ6x13 mm e3	1x z1	12x 7x50 e1	12x s1
4x 130x34x34/2mm n63	6x φ4x20 mm p14	32x φ4x40 mm p10	2x φ4x50 mm p12
12x k1	4x φ6x60 mm r5	4x r21	12x φ3,5x25 mm p42
		2x n34 ¹	6x φ8x30 mm f1
		2x n34 ²	32x φ6.3x13 mm e2

I

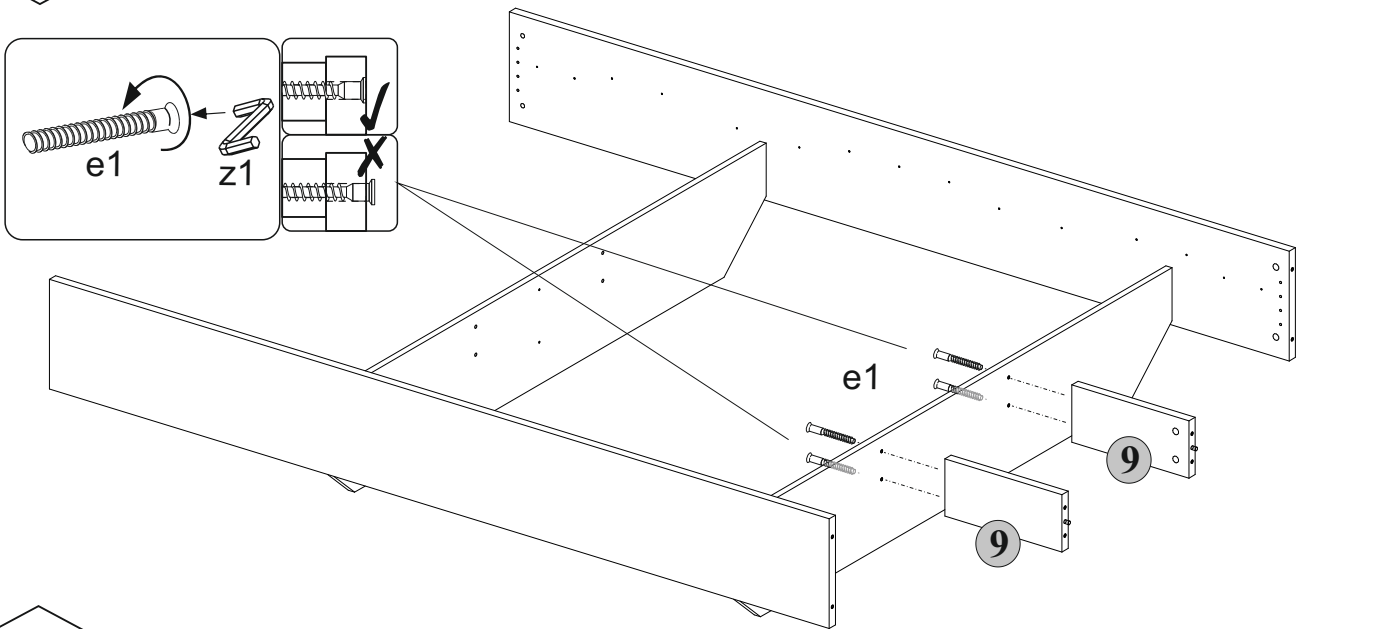


2

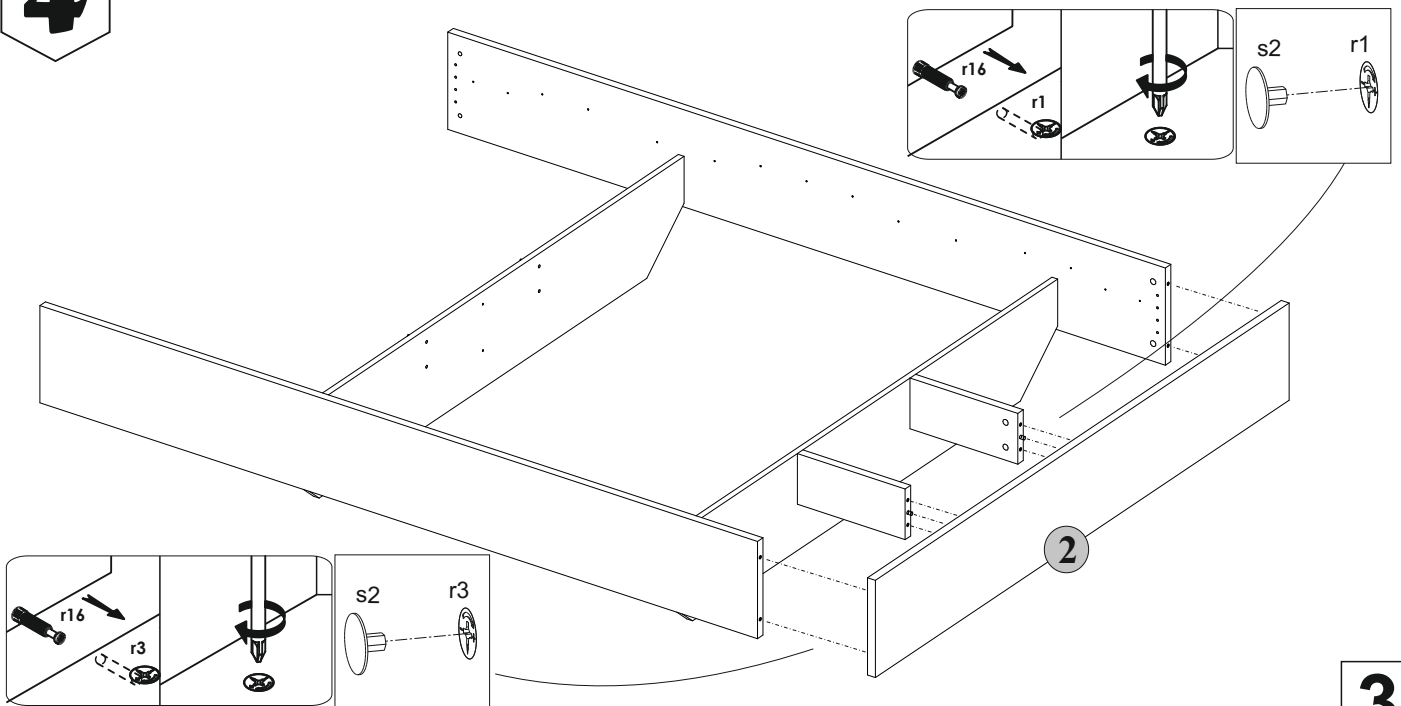
2



3

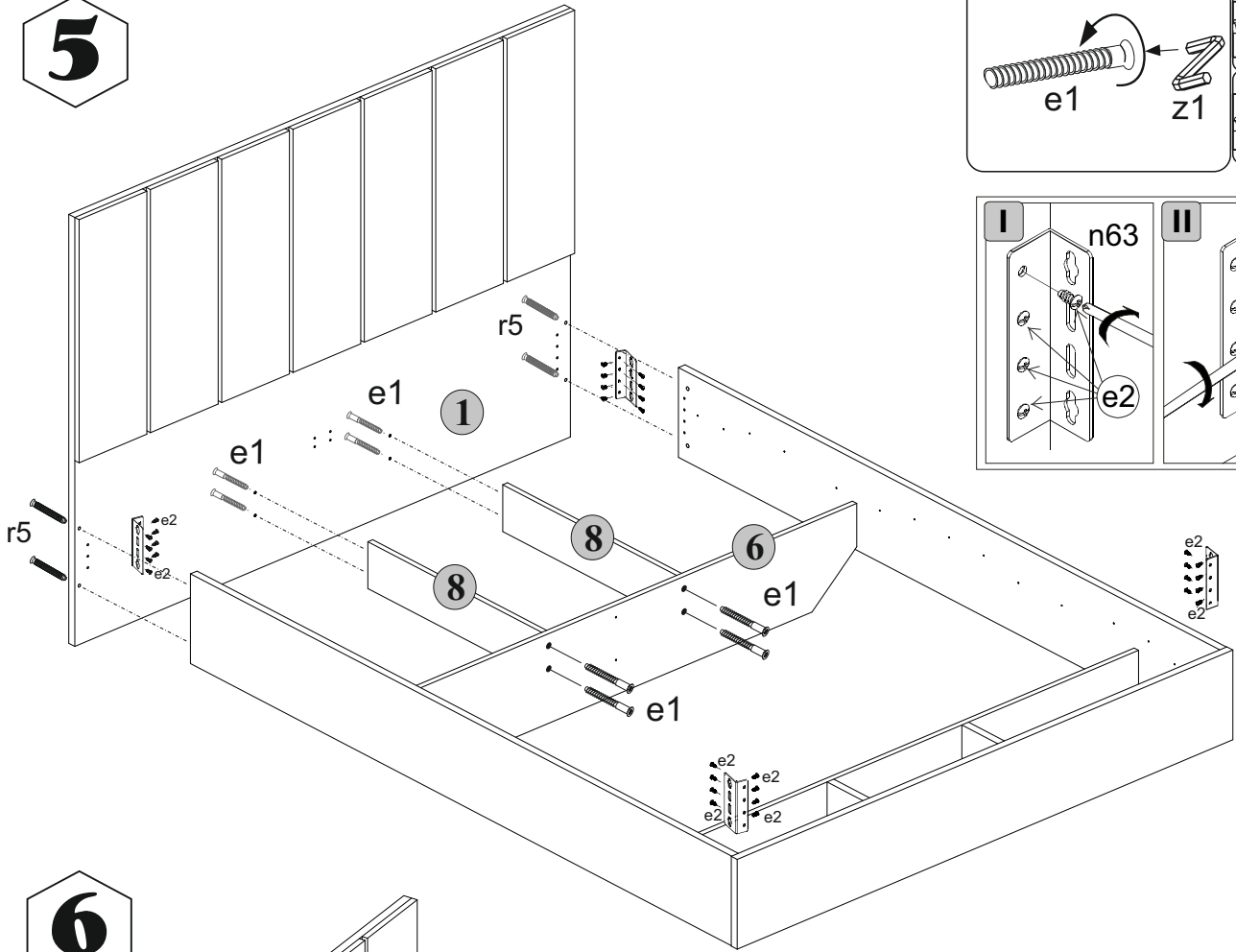
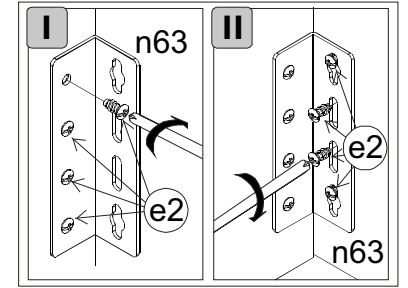
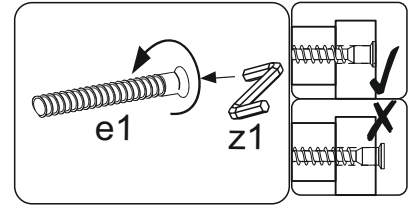


4

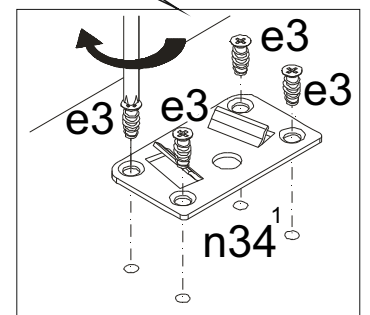
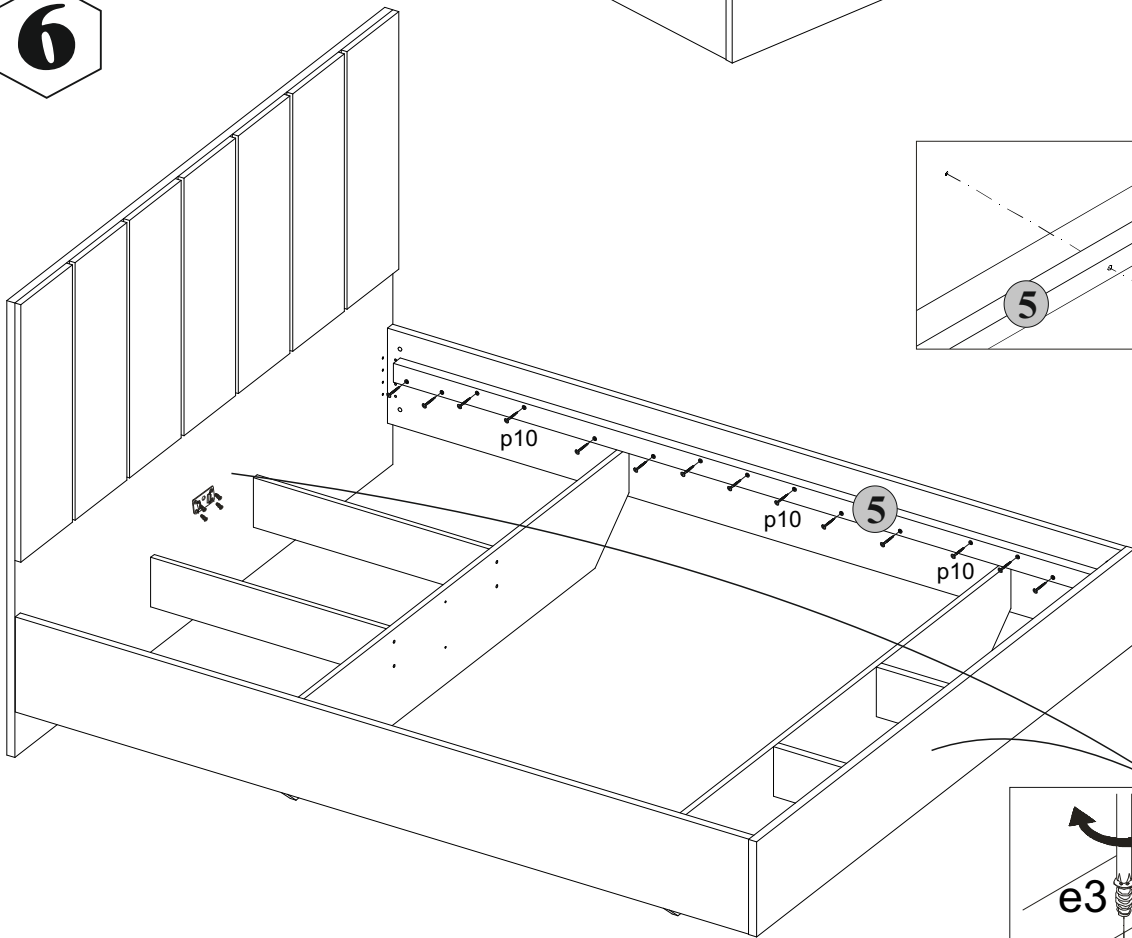
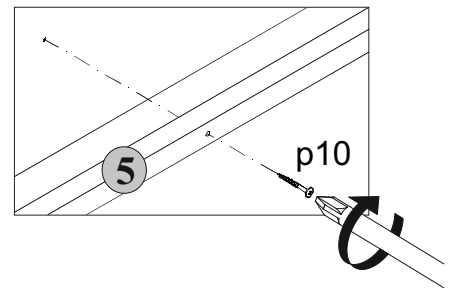


3

5

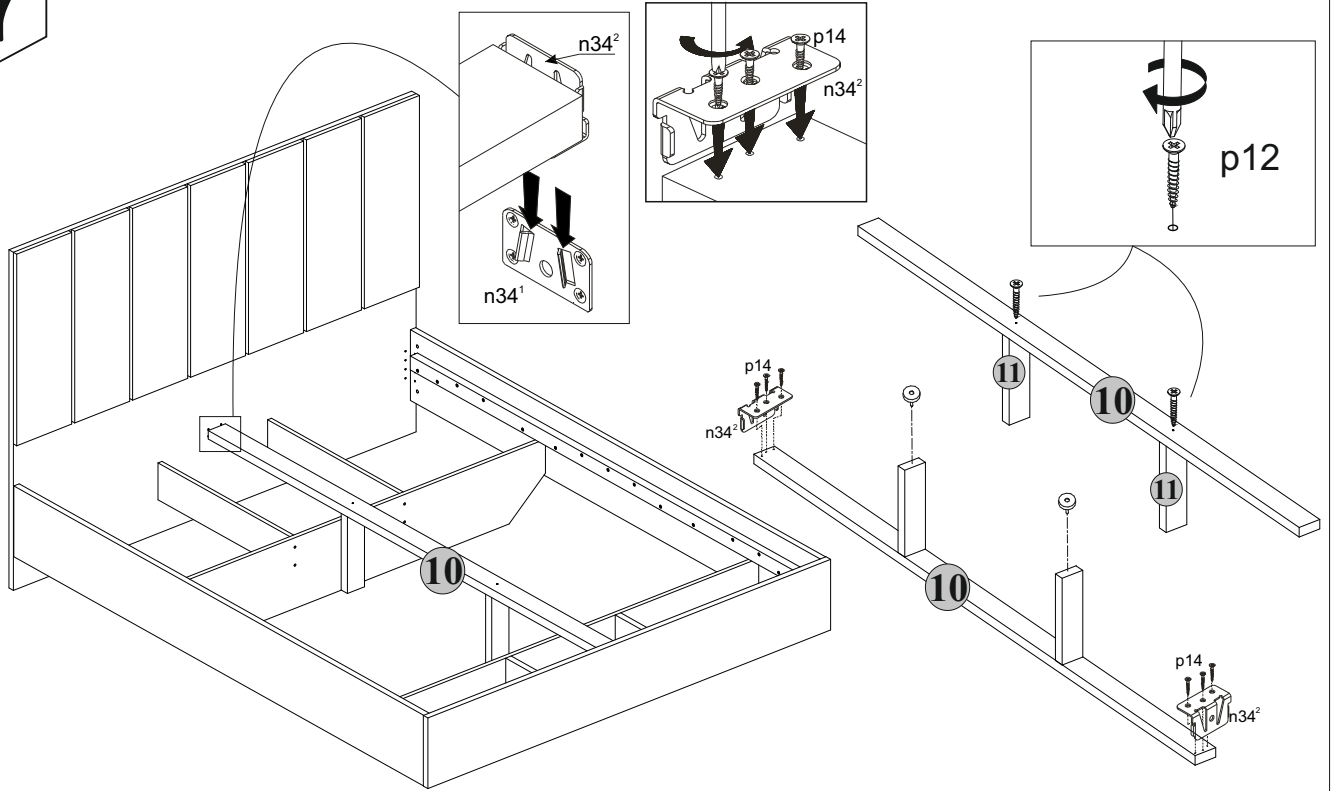


6

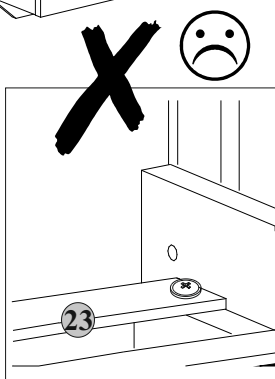
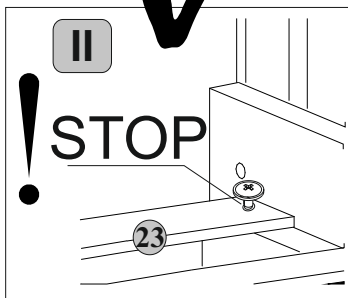
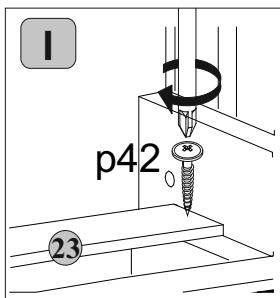
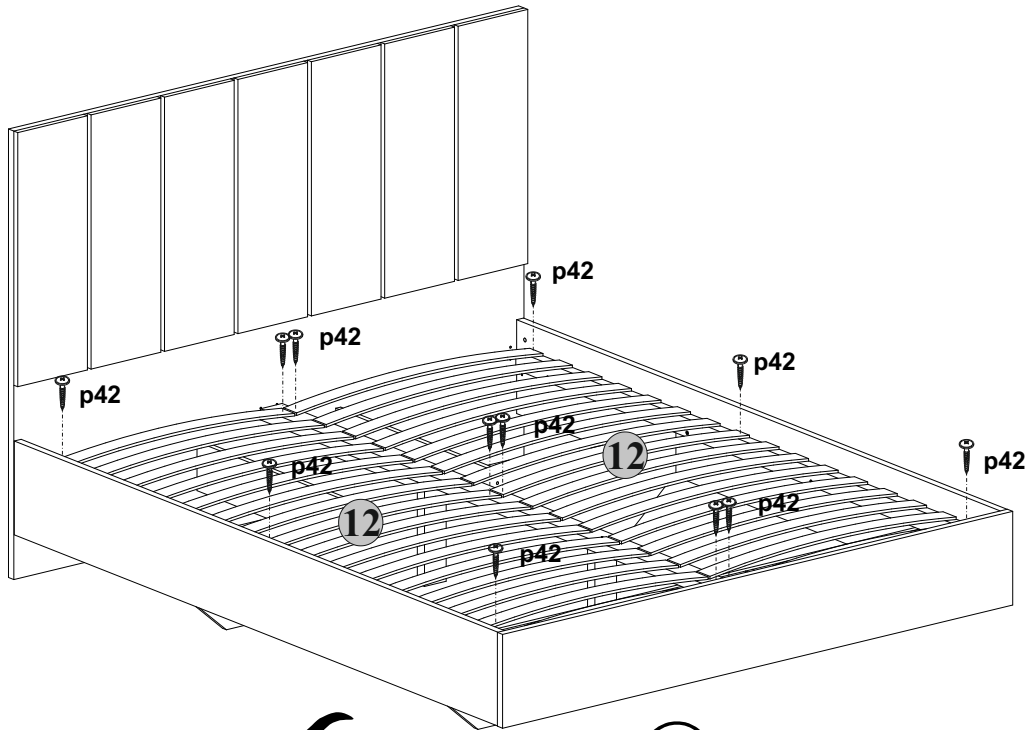


4

7

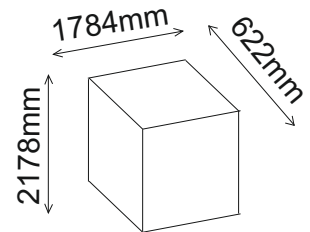
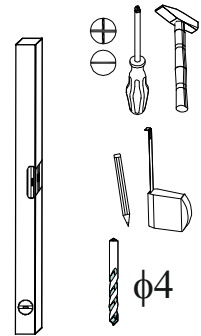
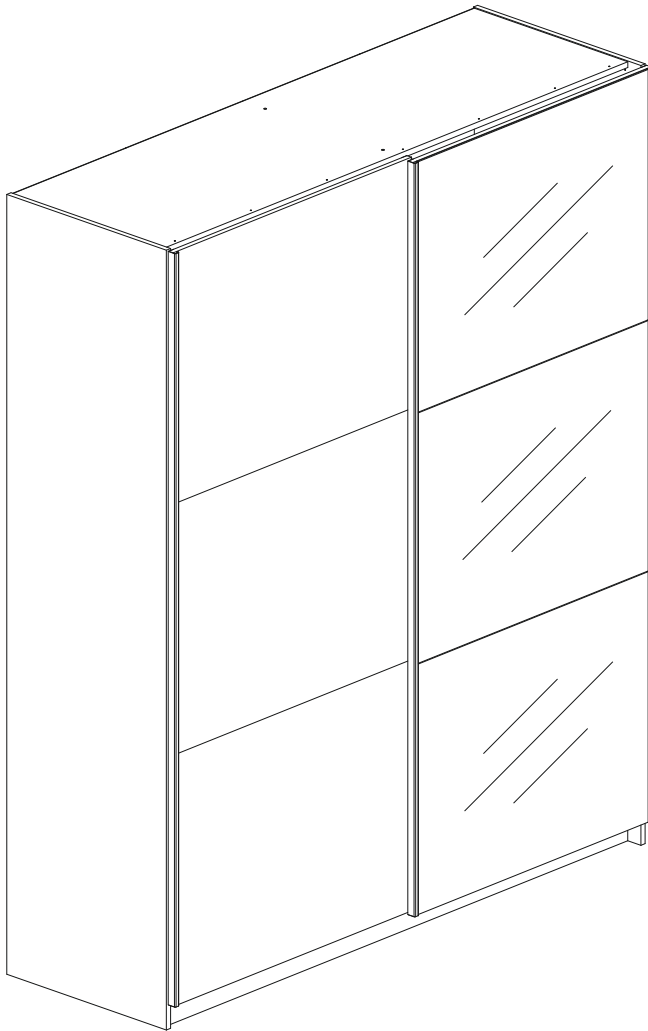


8



5

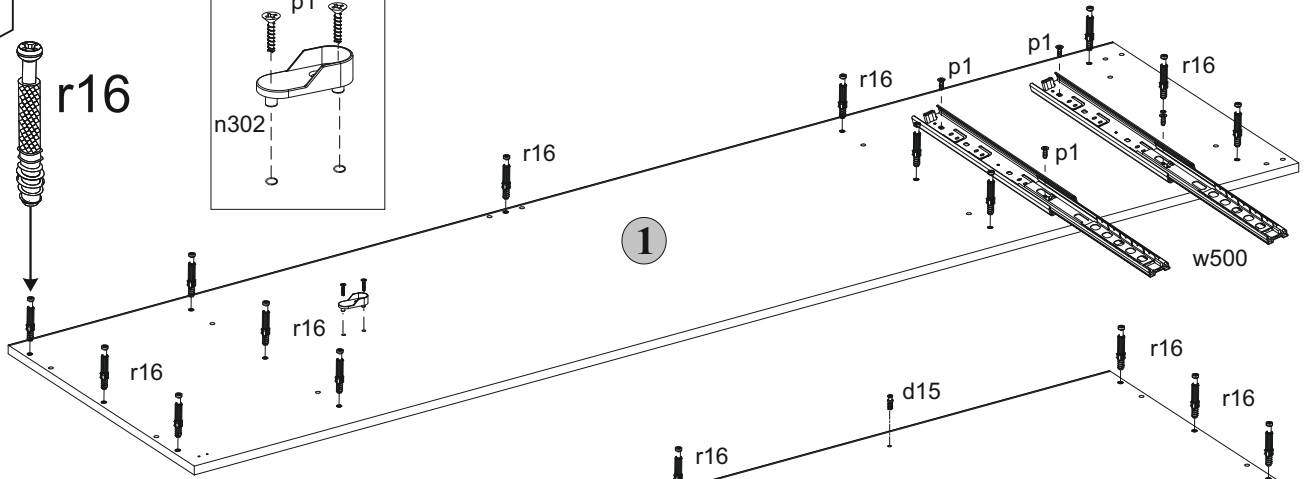
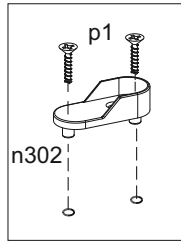
Sliding wardrobe new



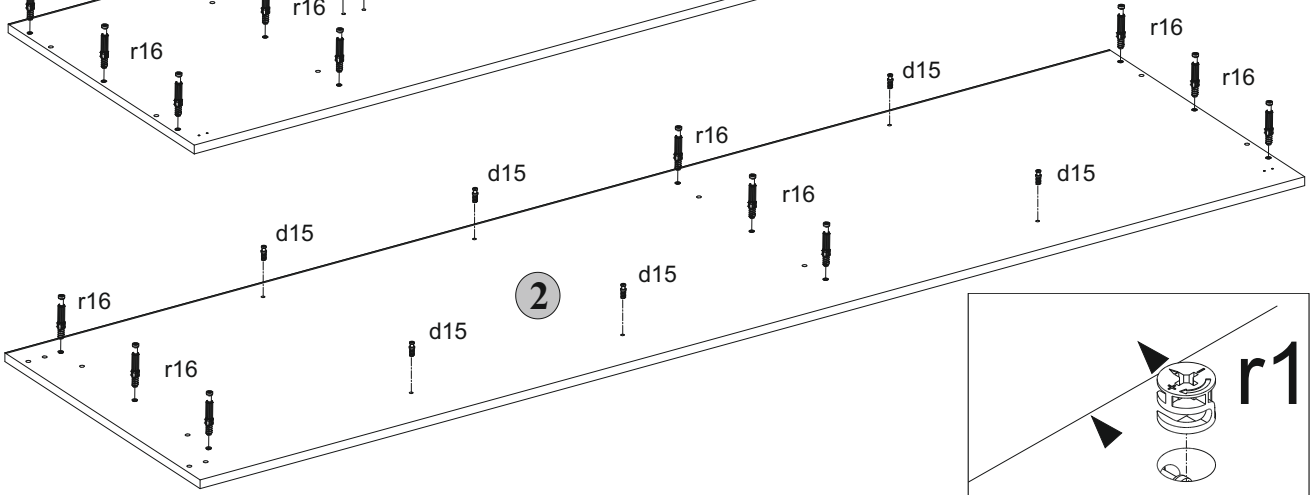
4x φ4x25 mm p36	2x 3,9x25 f18	2x f19	2x μ4x12 j78	2x μ4 j79	4x d6
1x f20	2x n46	1x n44	1x n43	2x n42	2x n45
24x φ8x50 mm f6	12x r10	2x w500	32x φ5x11 mm e3	1x z1	64x φ15 #16 r1
8x k1	40x r16	12x d17	12x d15	150x 1x16 l1	18x s1
90x φ3.5x13 mm p1	64x s2	2x n302	46x φ8x30 mm f1	18x 7x50 e1	



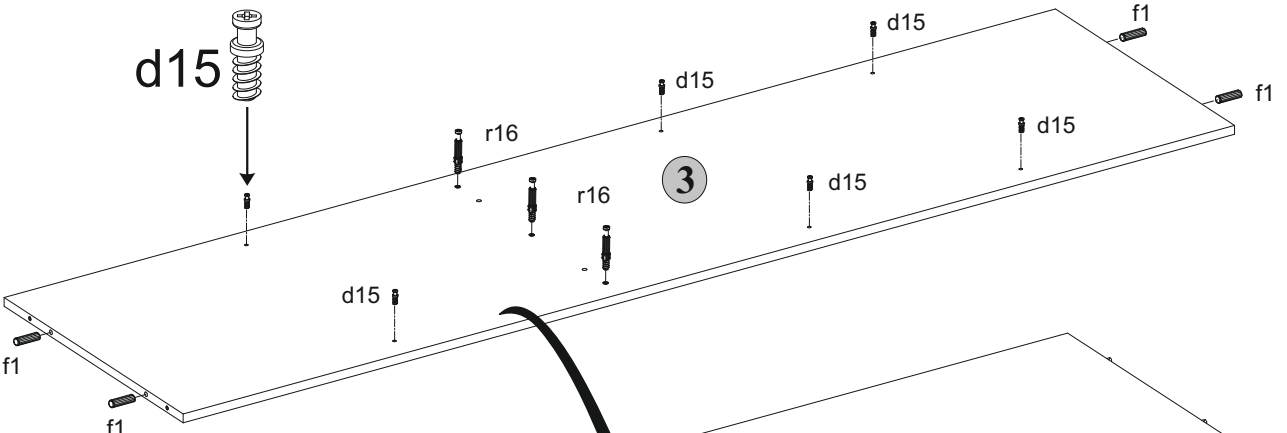
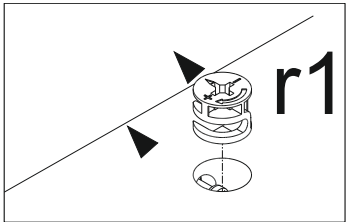
r16



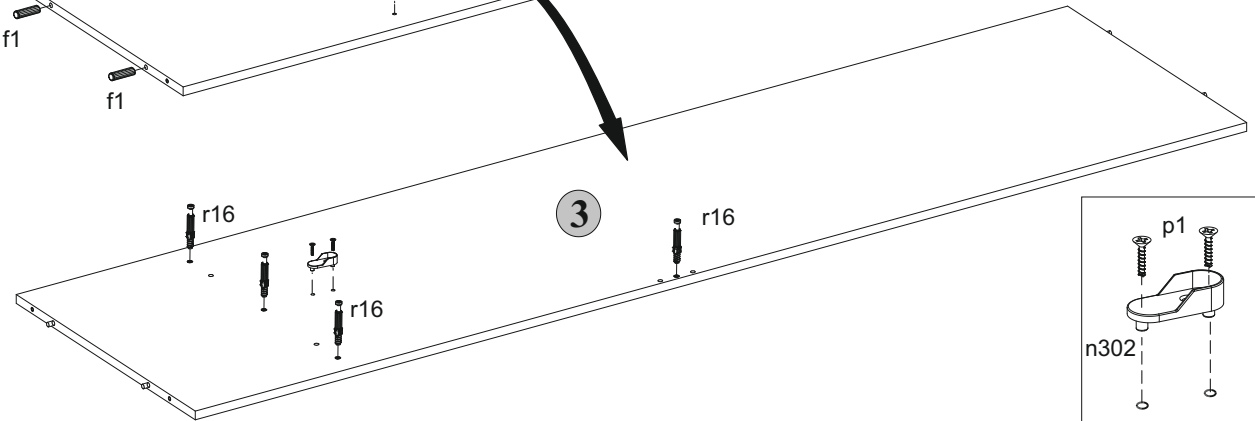
1



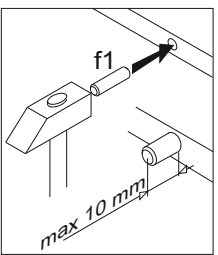
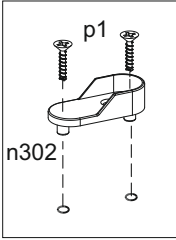
2



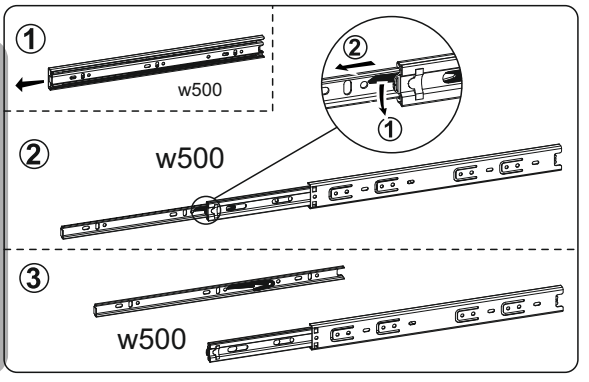
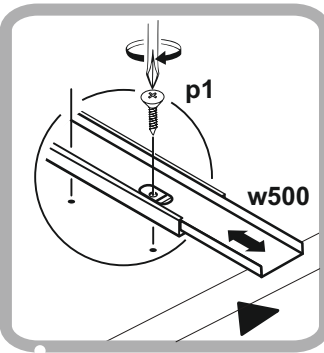
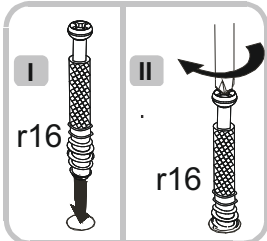
3



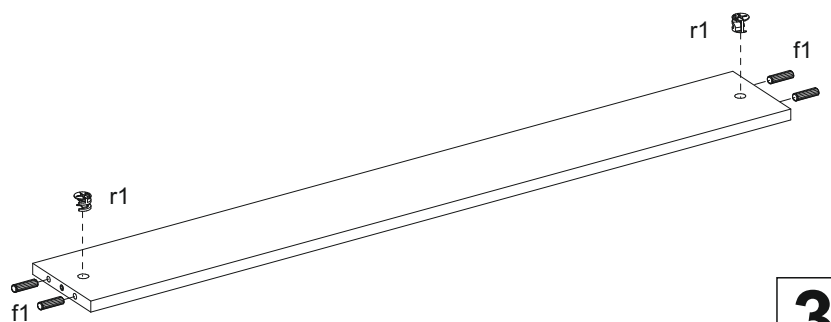
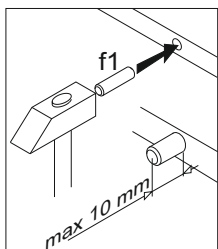
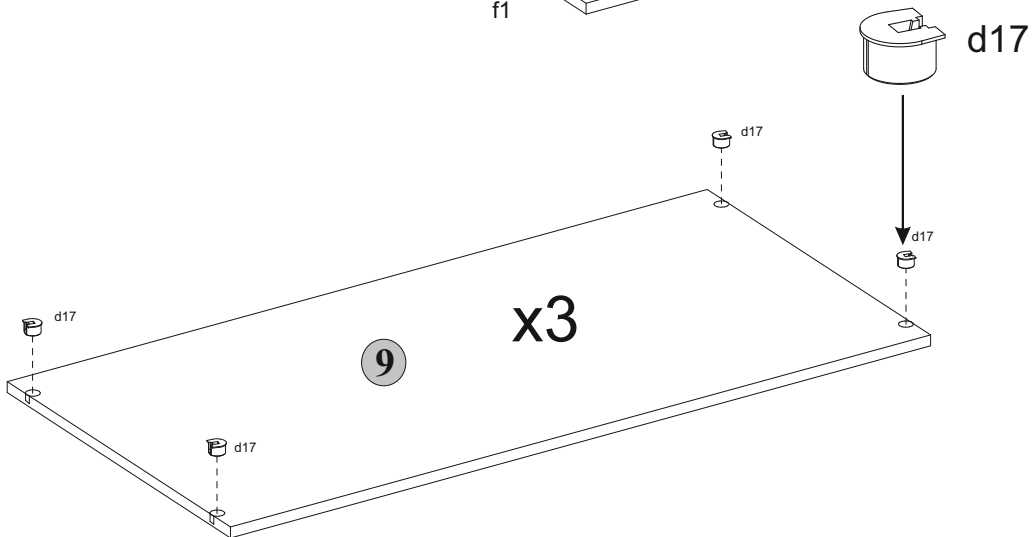
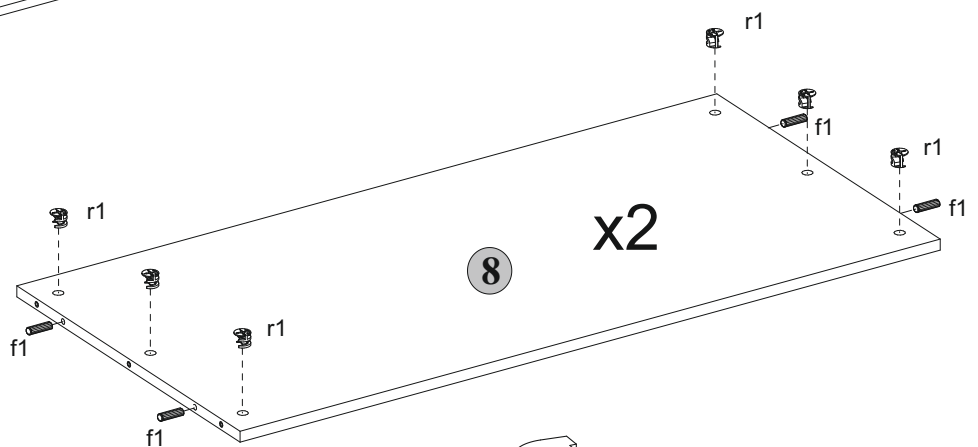
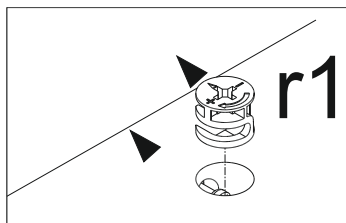
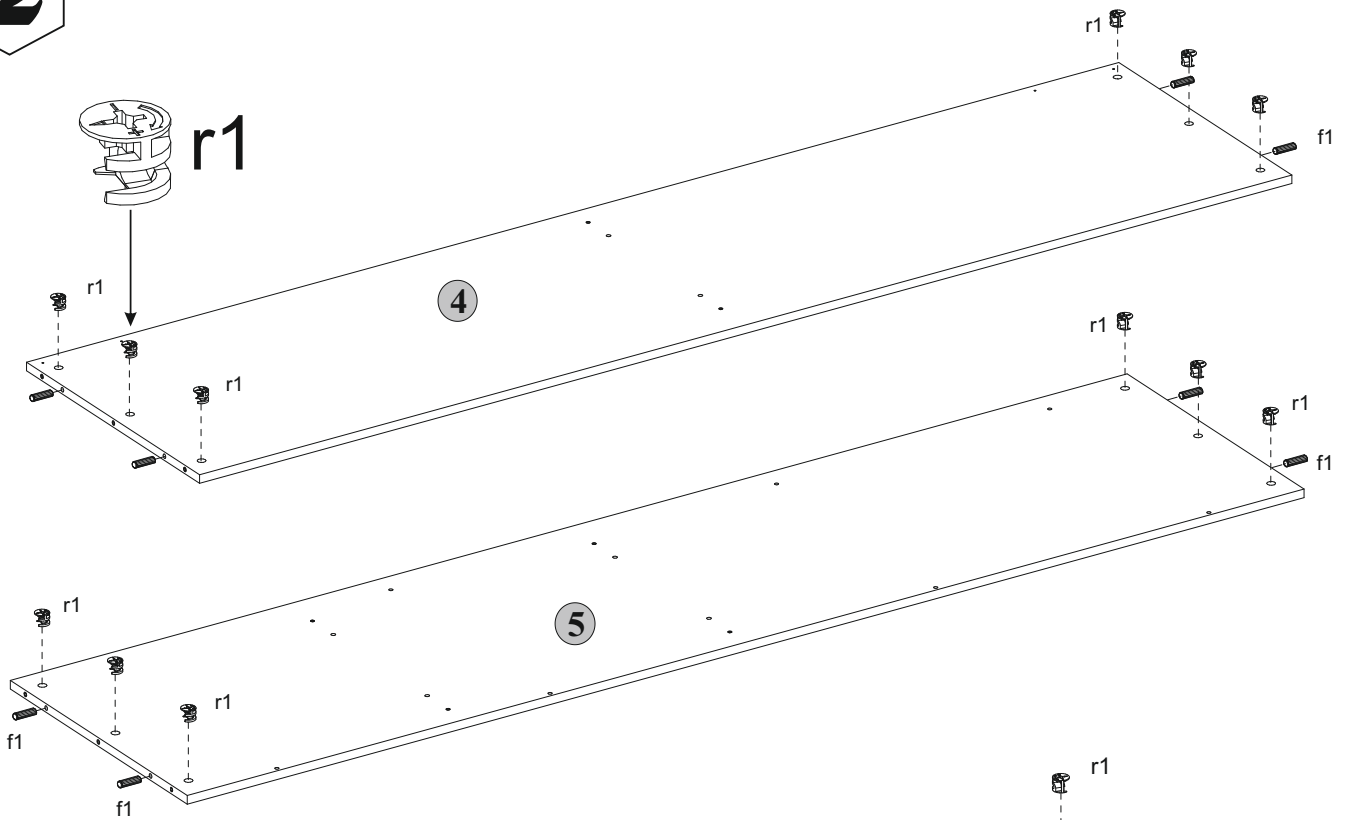
3



2

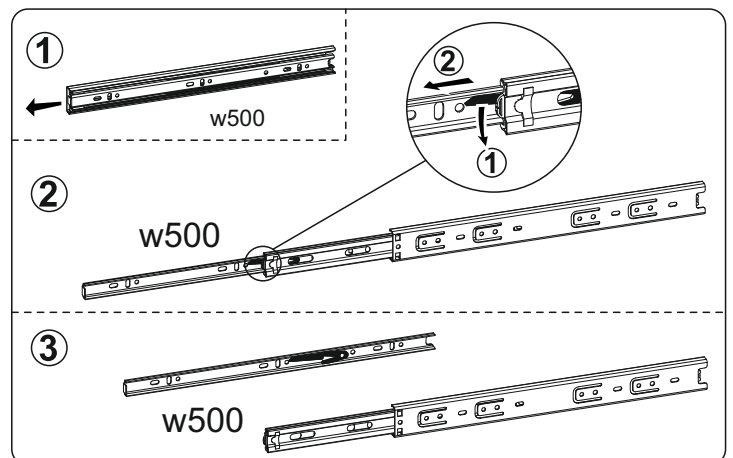
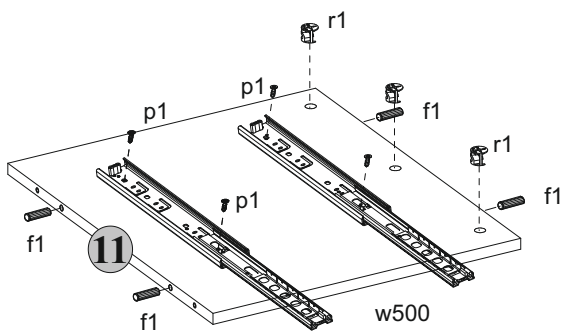
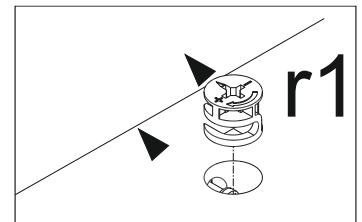
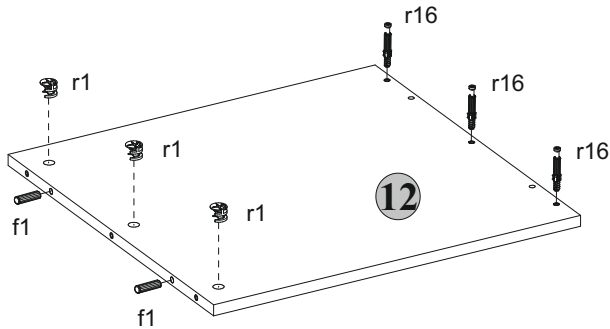
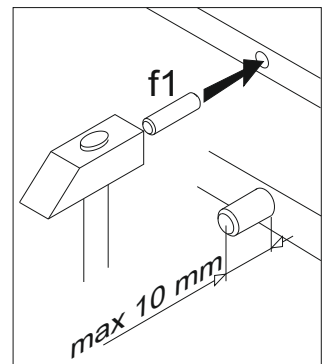
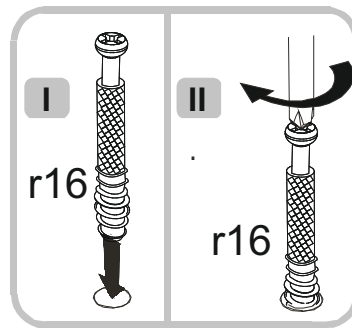
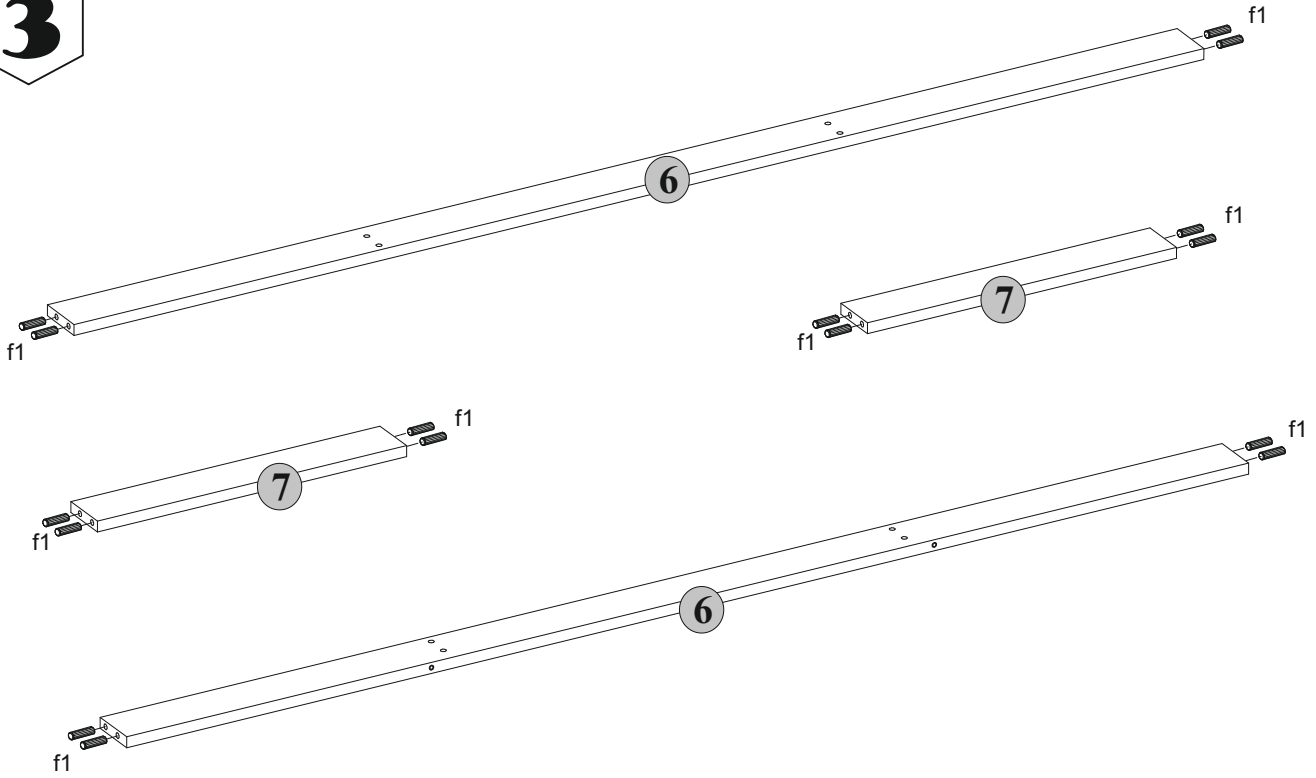


2



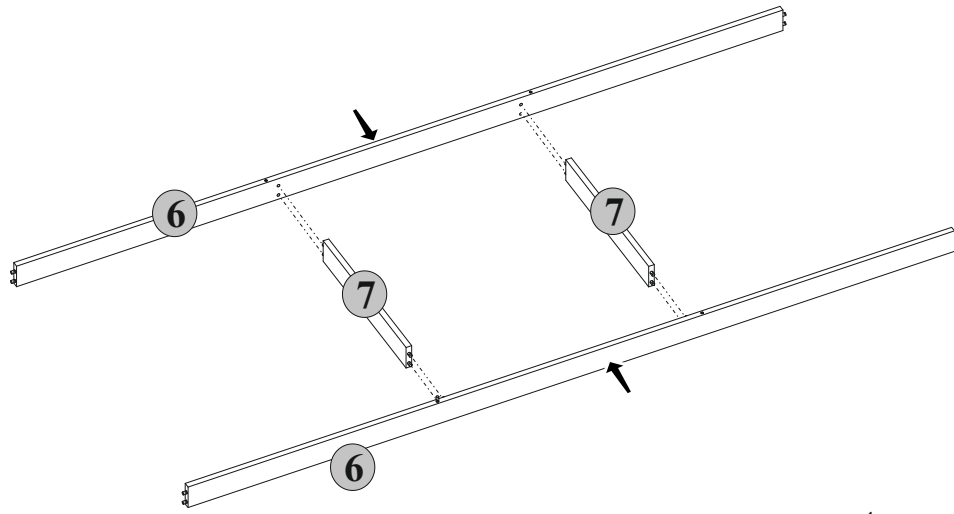
3

3

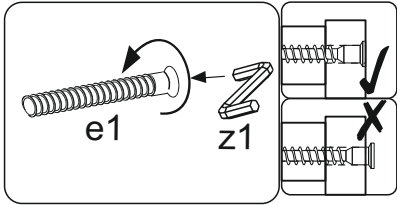
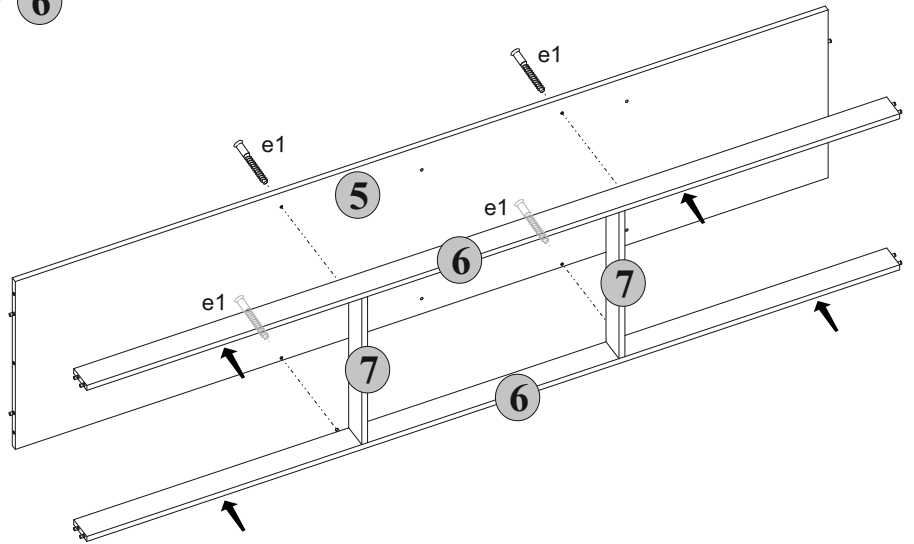


4

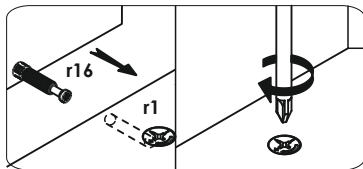
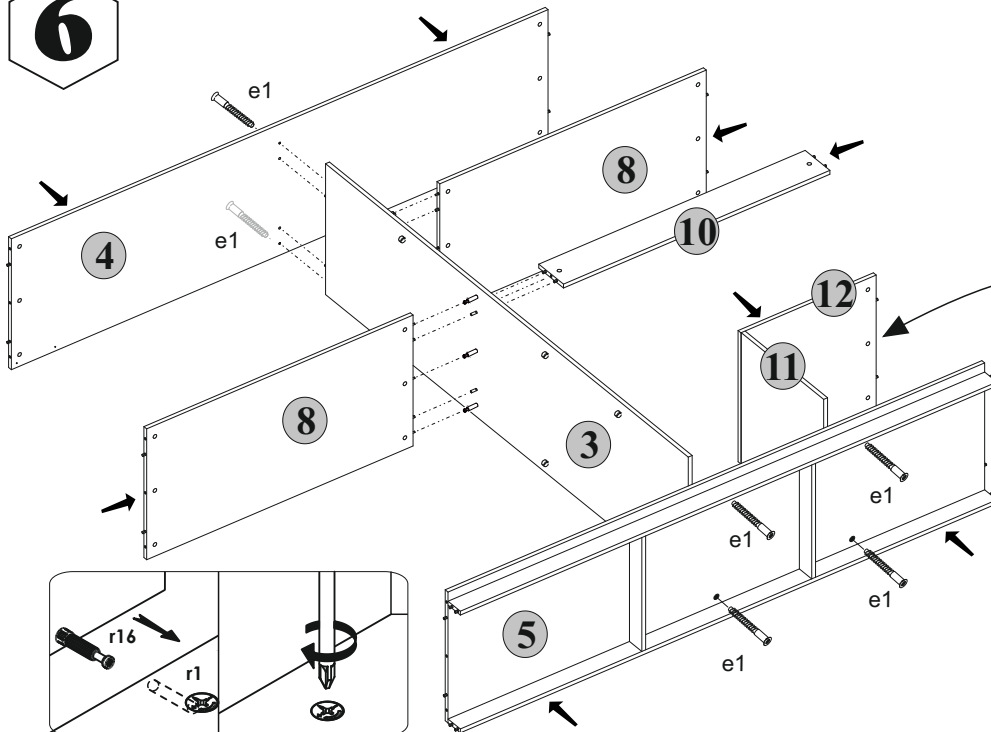
4



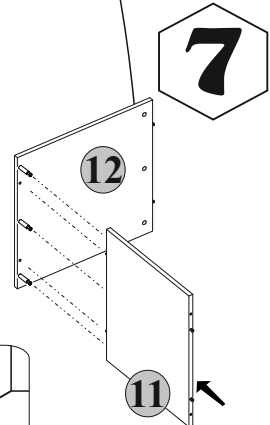
5



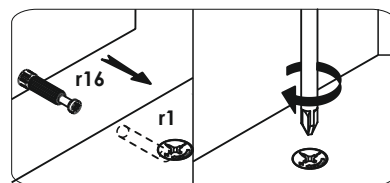
6



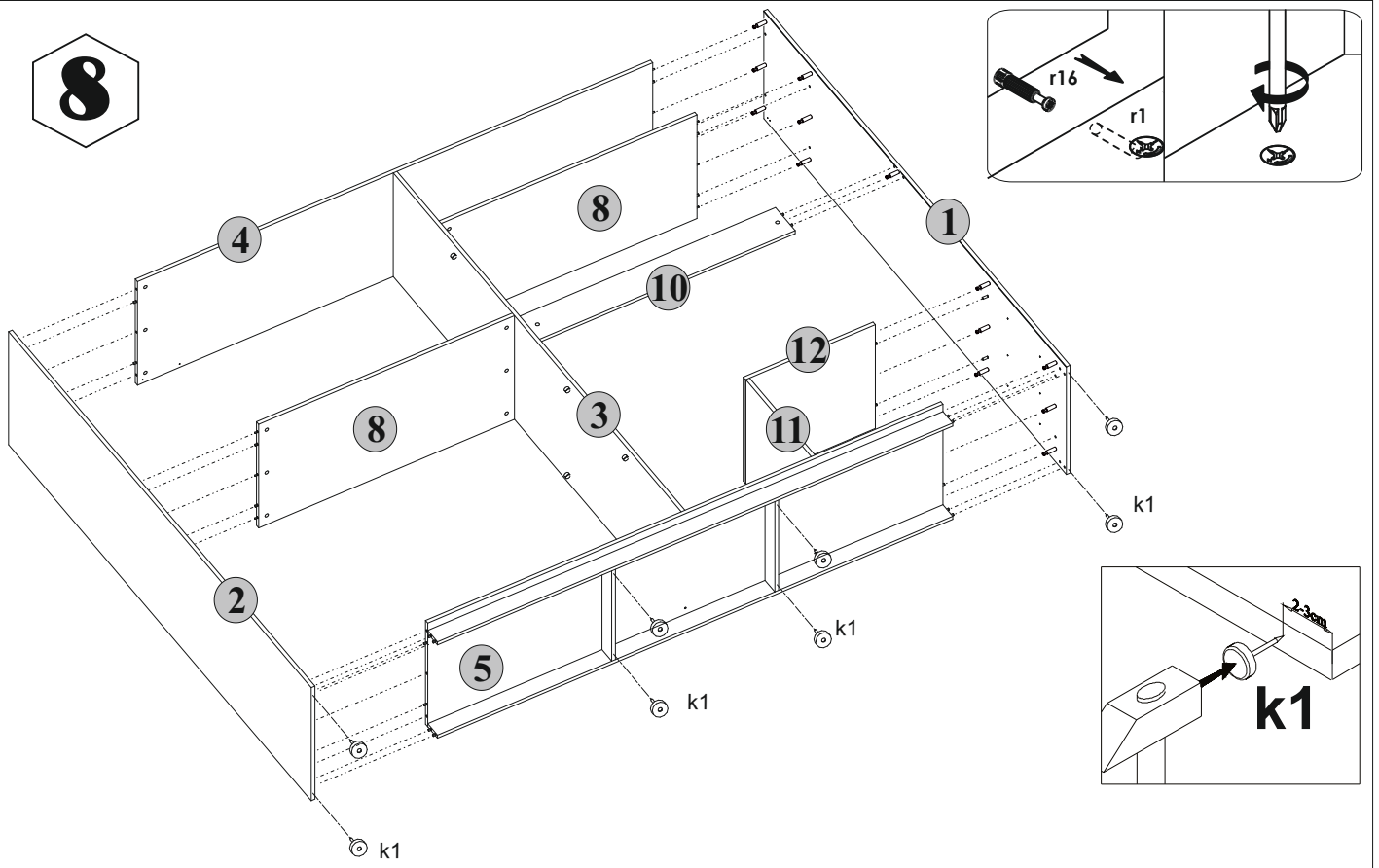
7



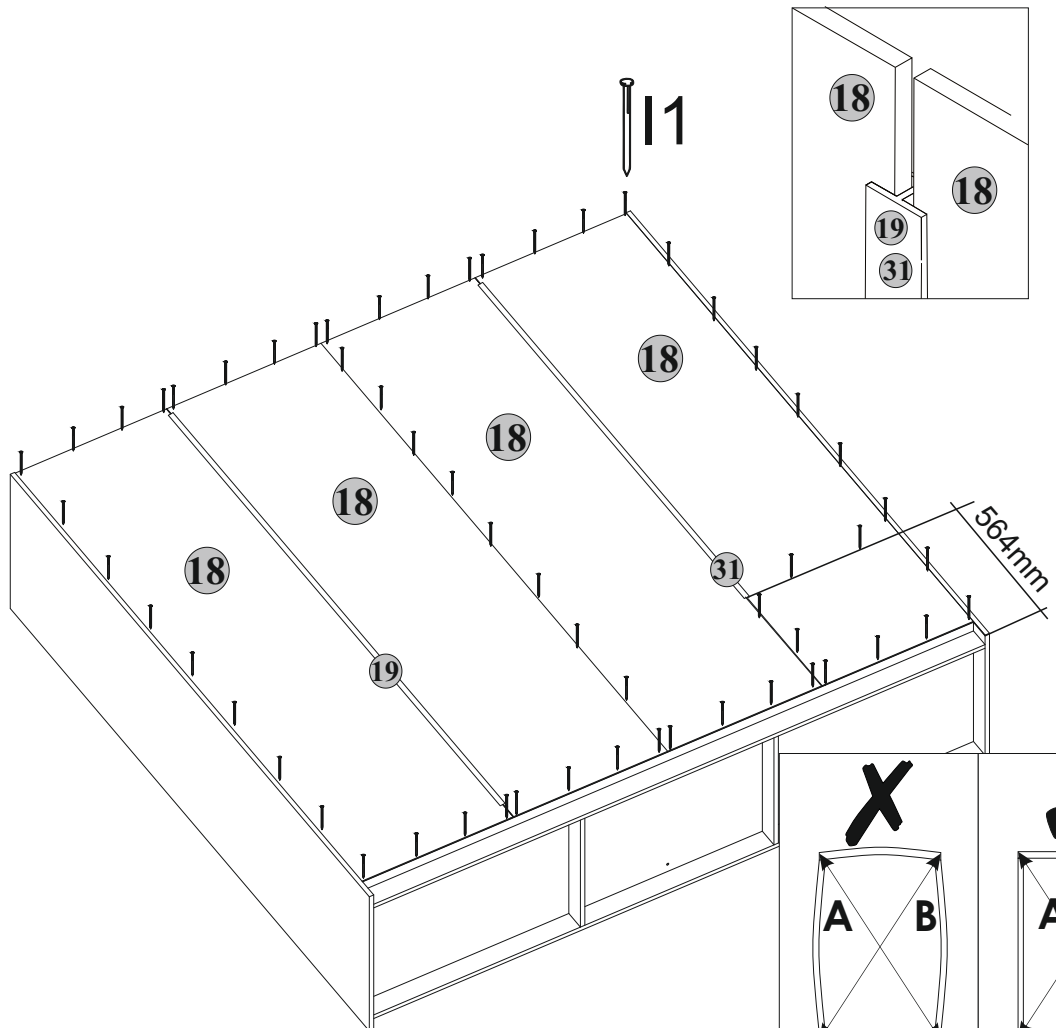
5



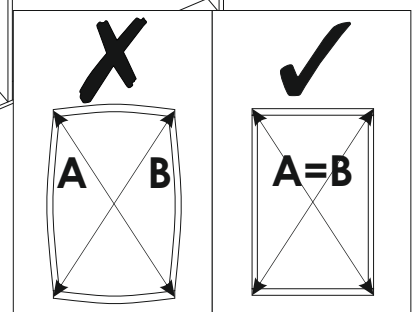
8



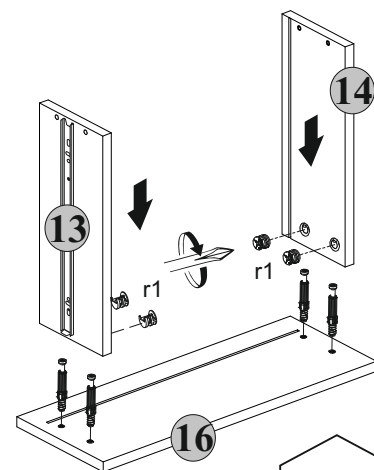
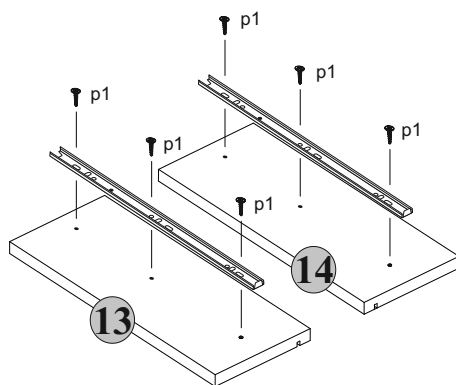
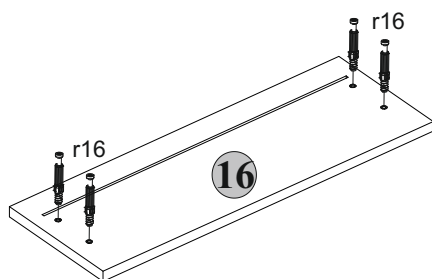
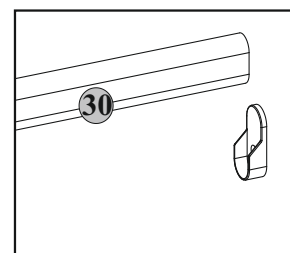
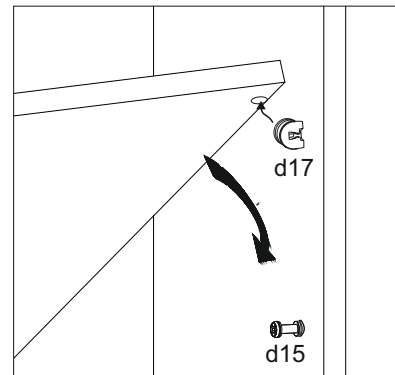
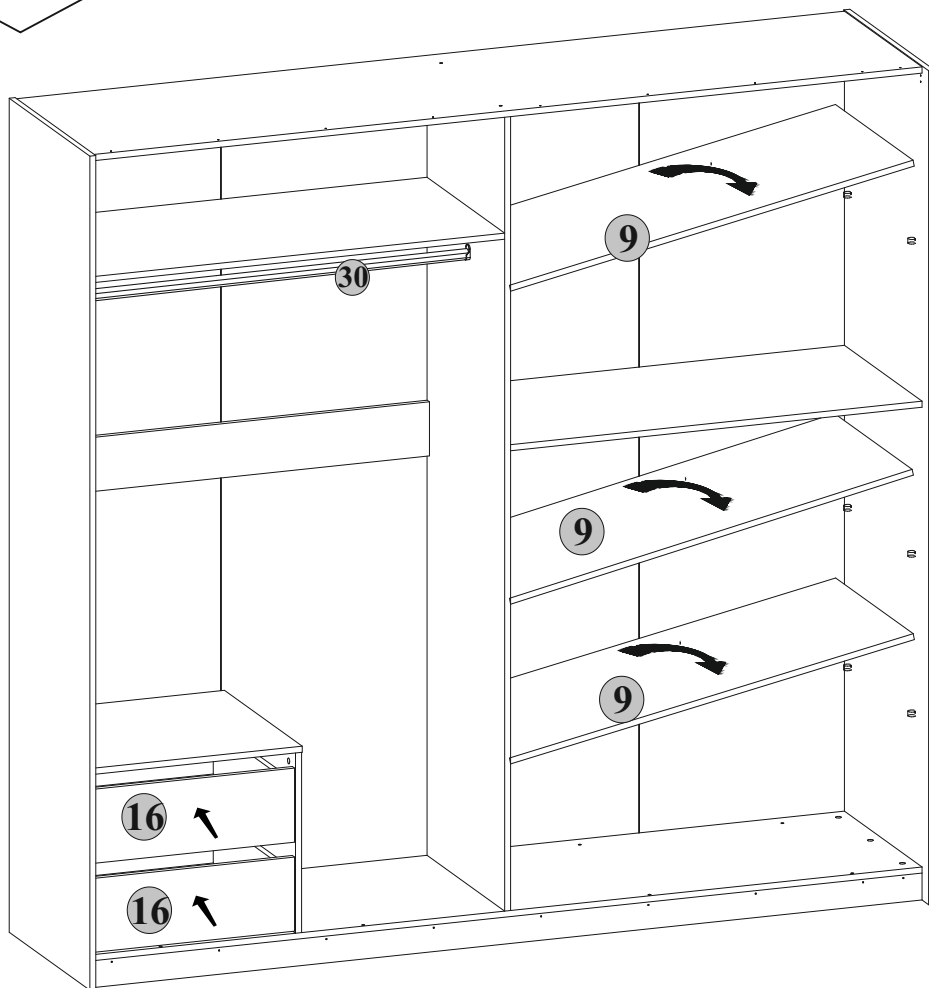
9



6

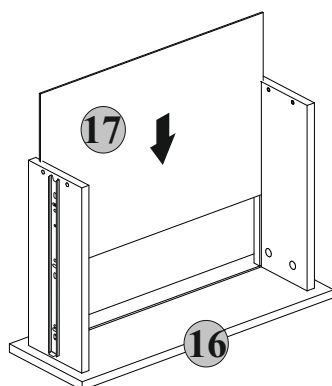


10

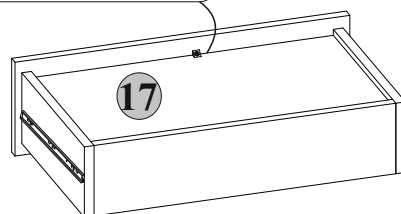
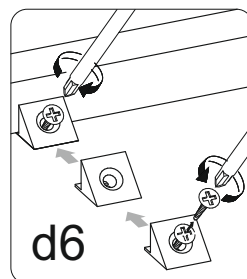
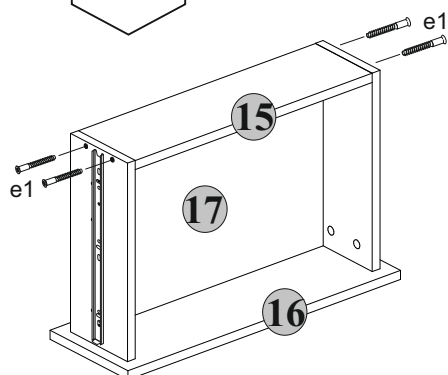


11

12

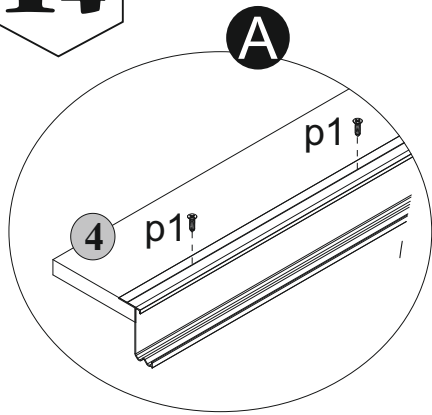


13

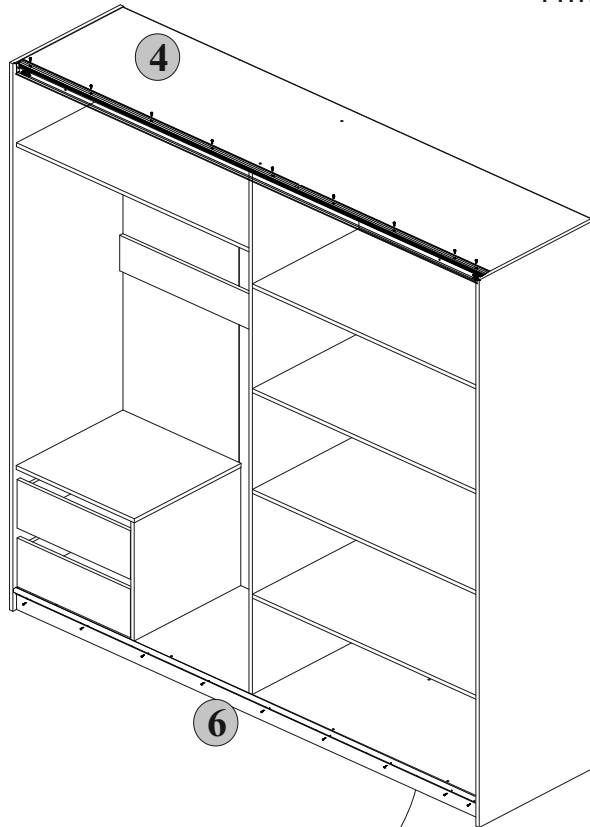
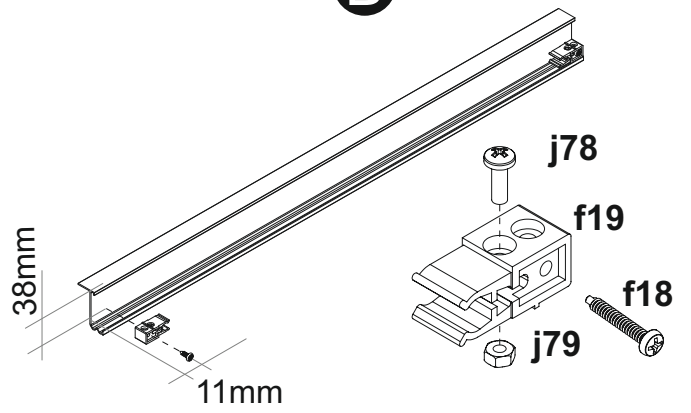


7

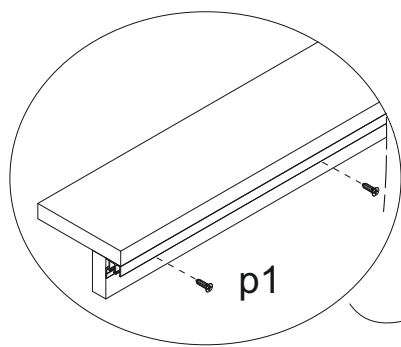
14



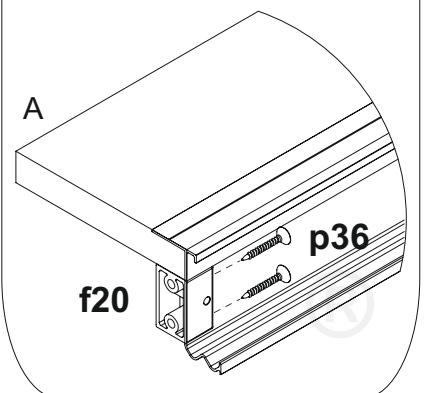
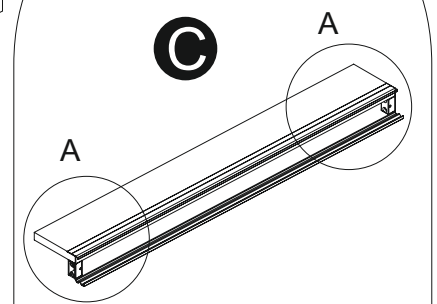
B



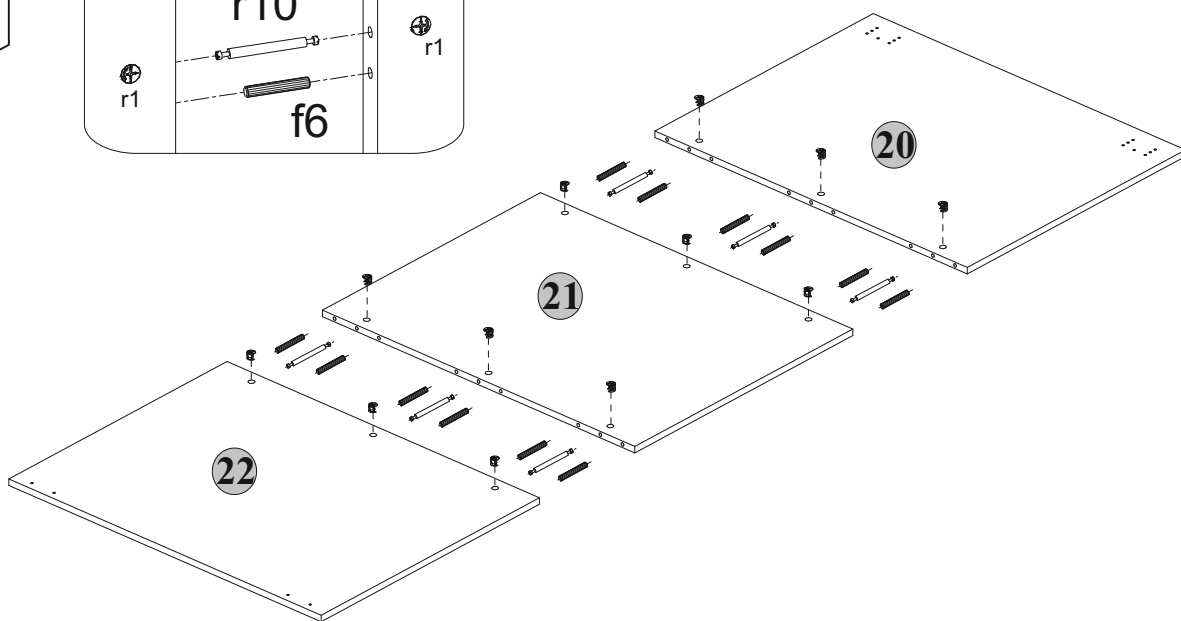
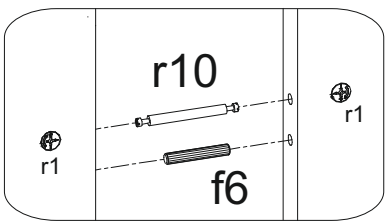
15



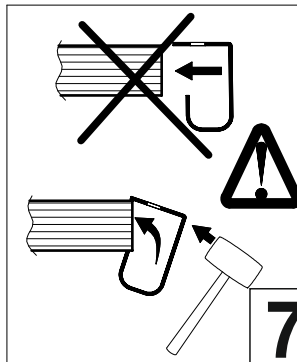
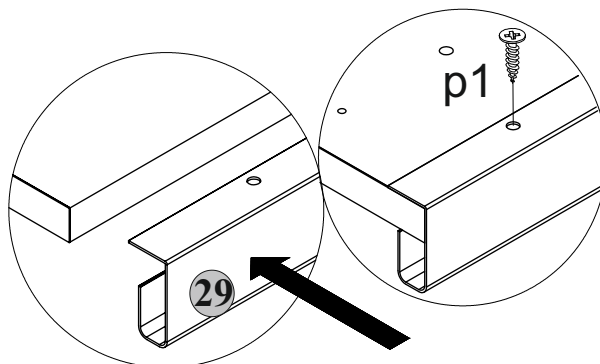
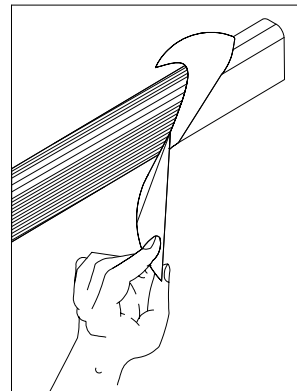
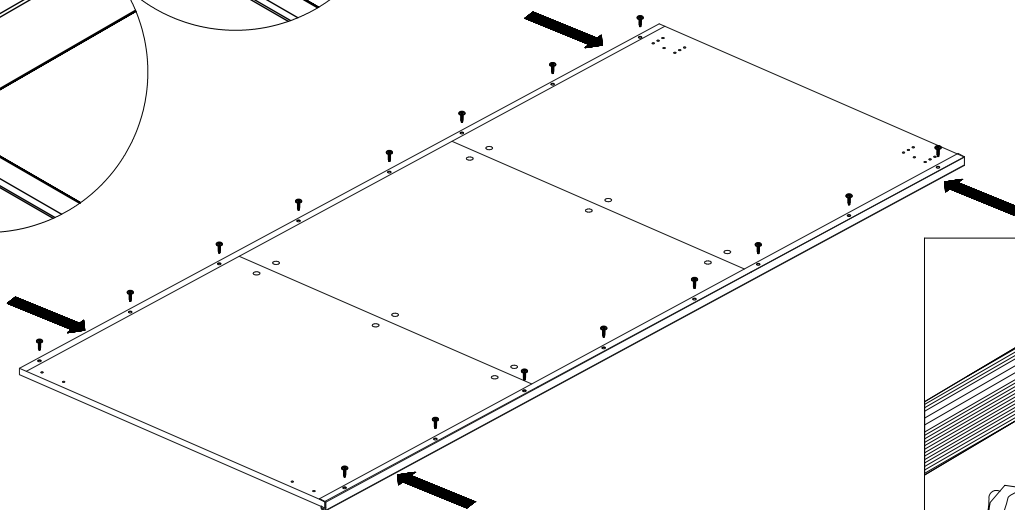
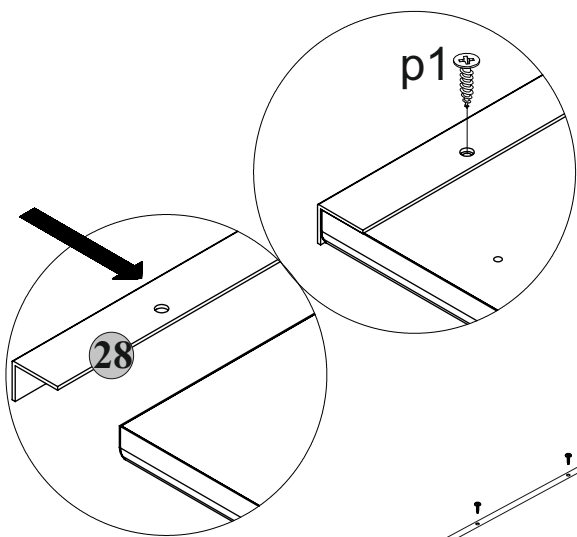
C



16

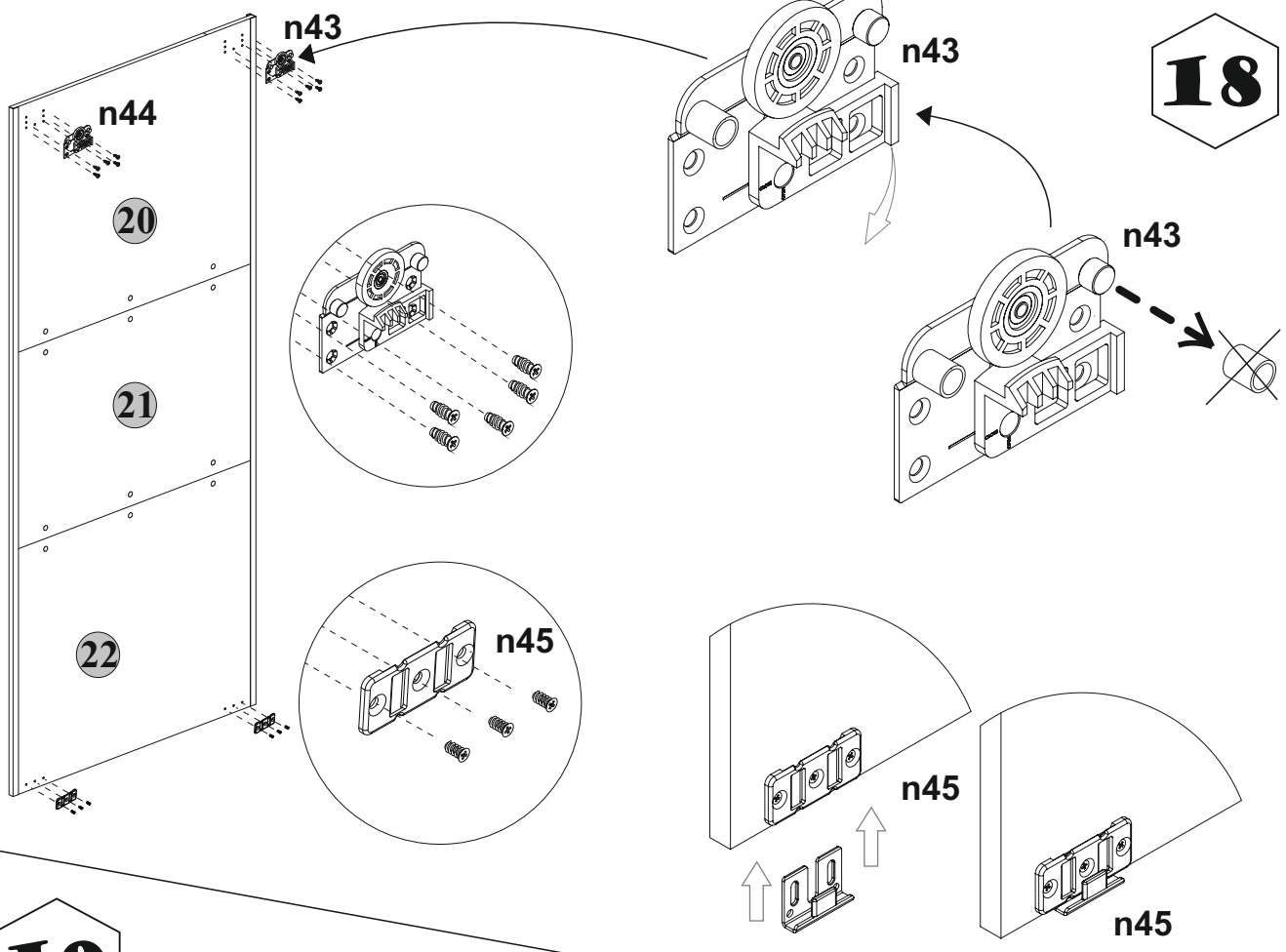


17

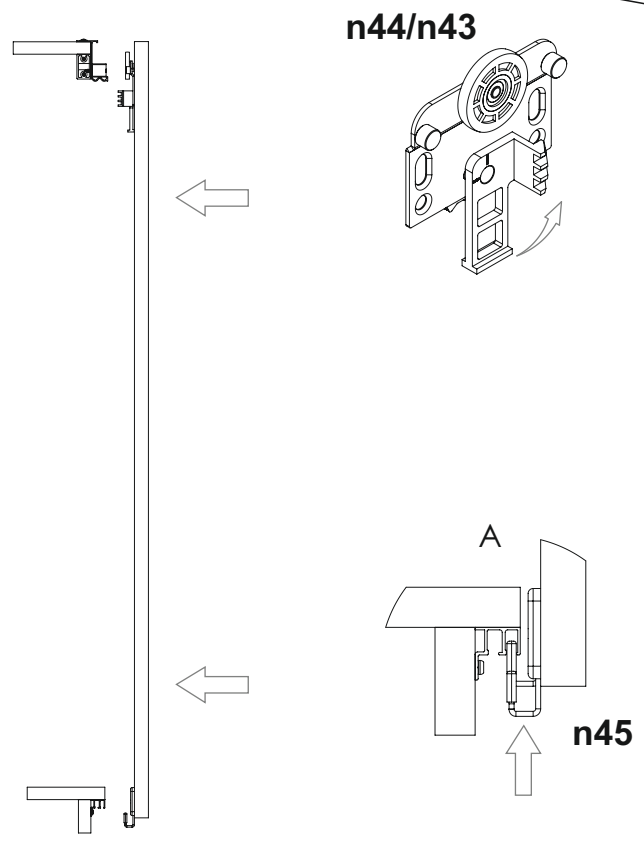
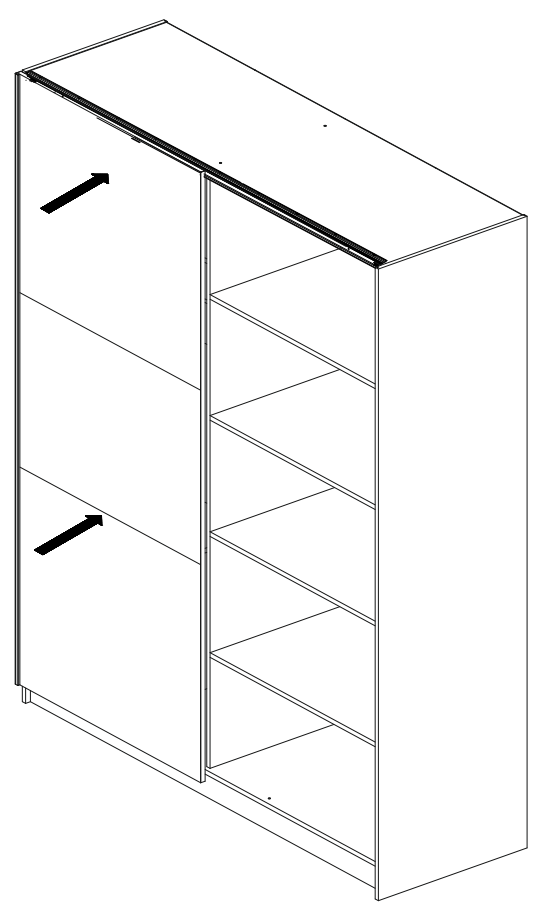


7

18

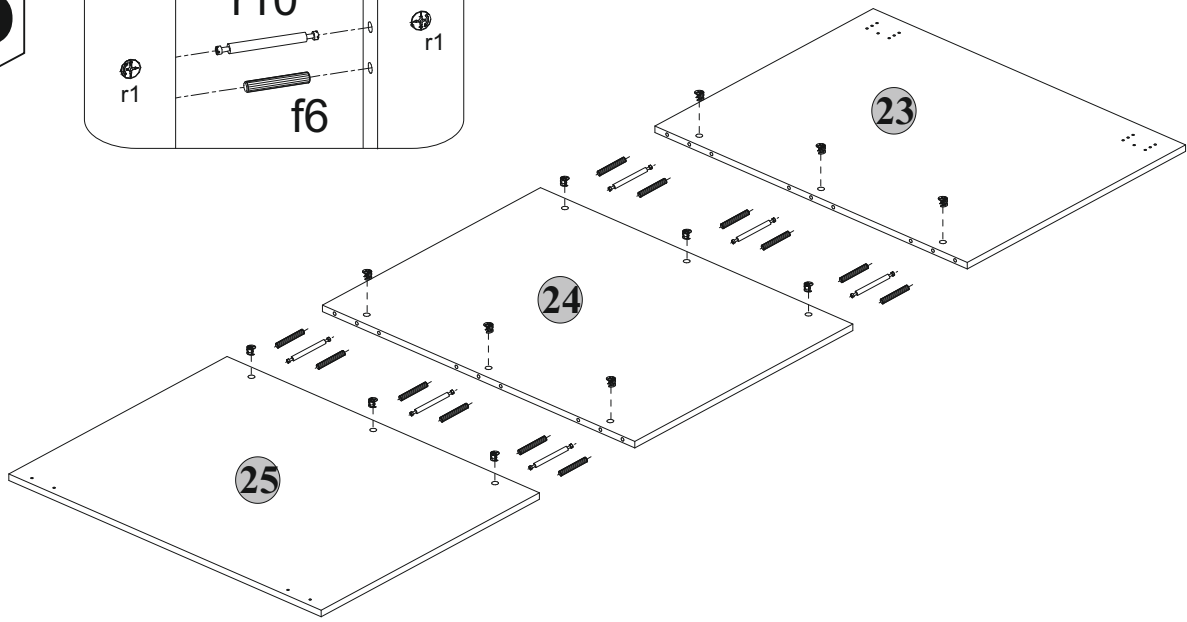
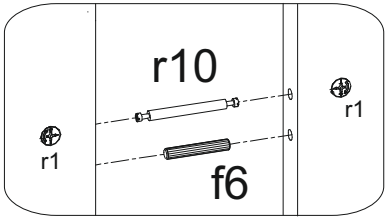


19

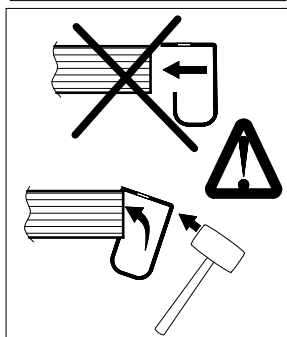
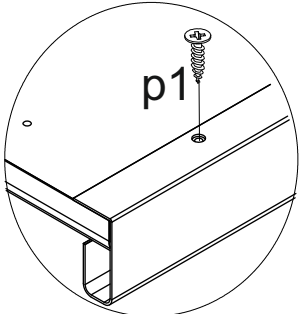
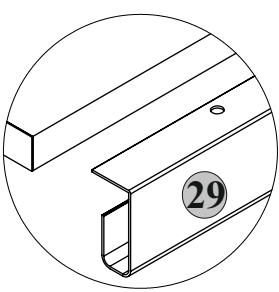
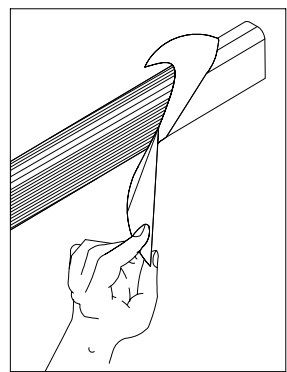
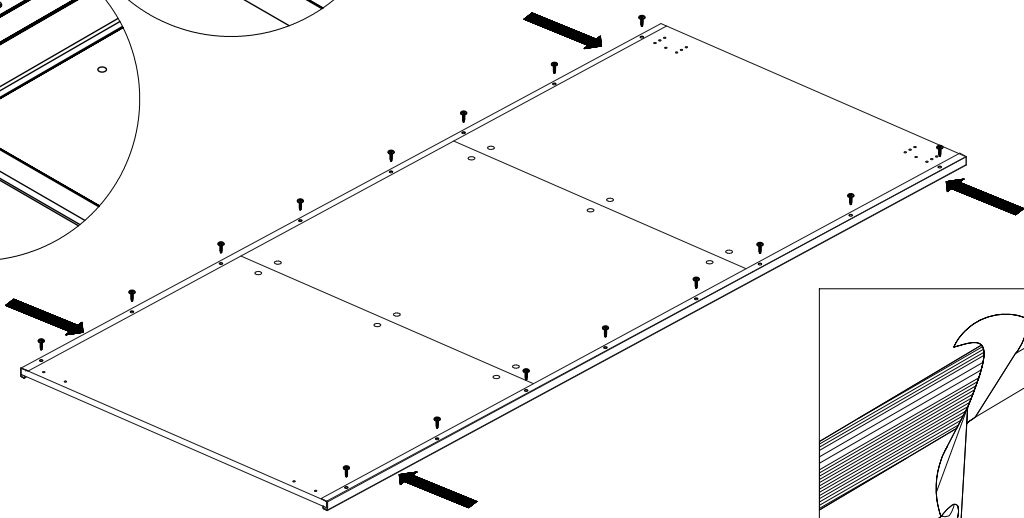
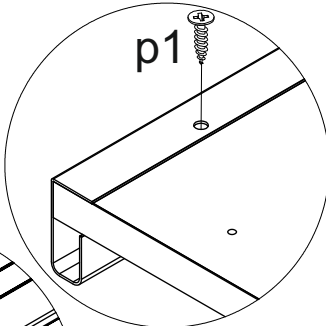
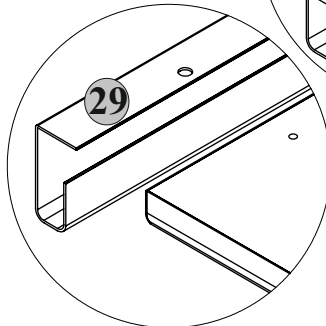


10

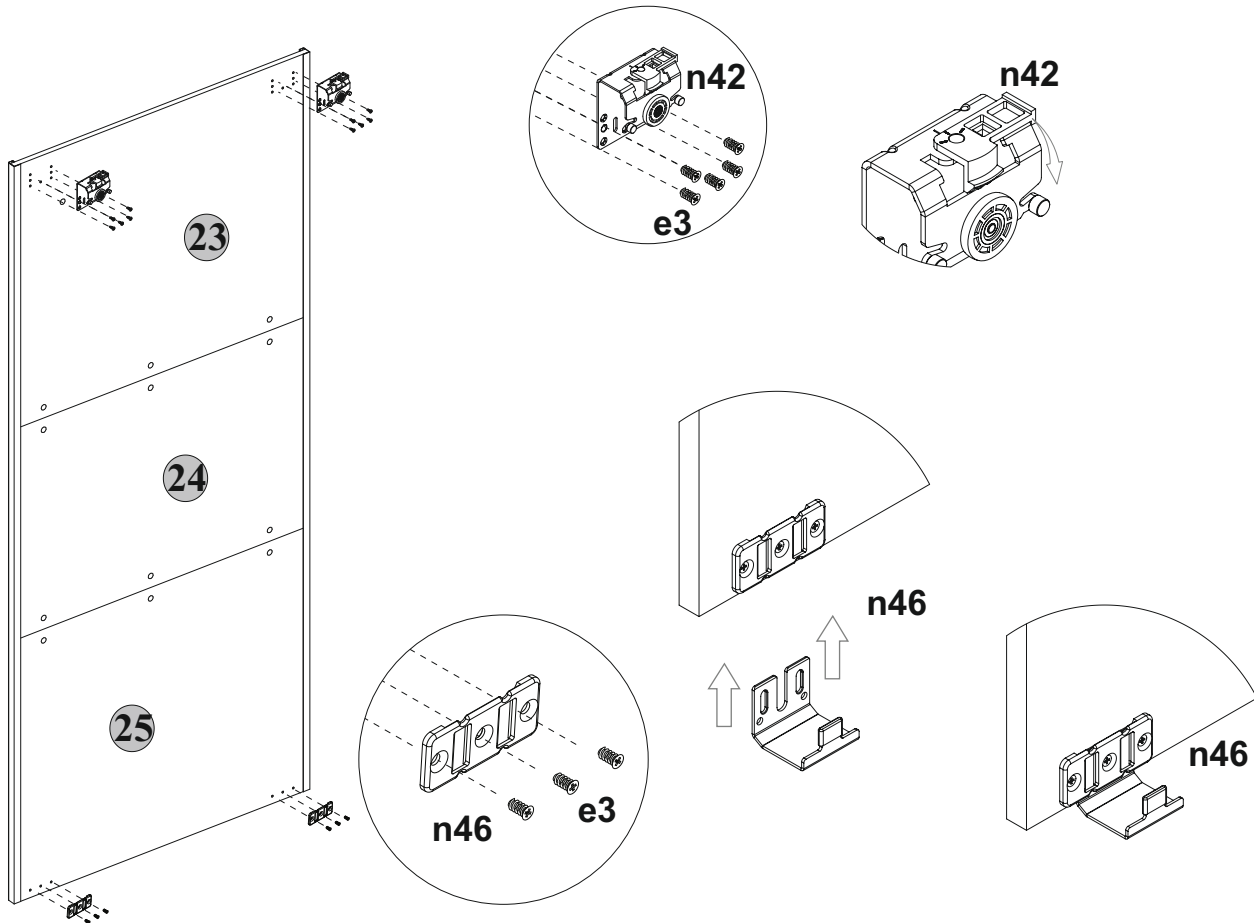
20



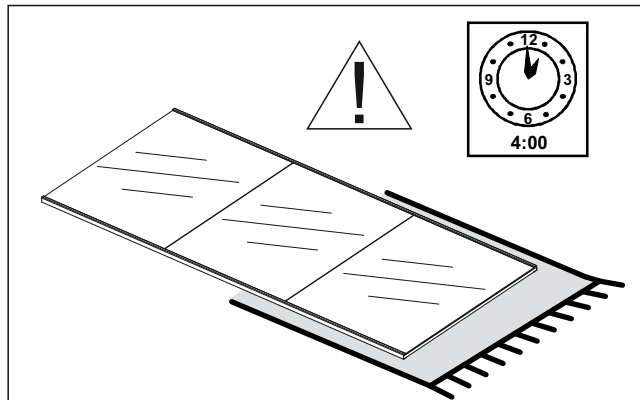
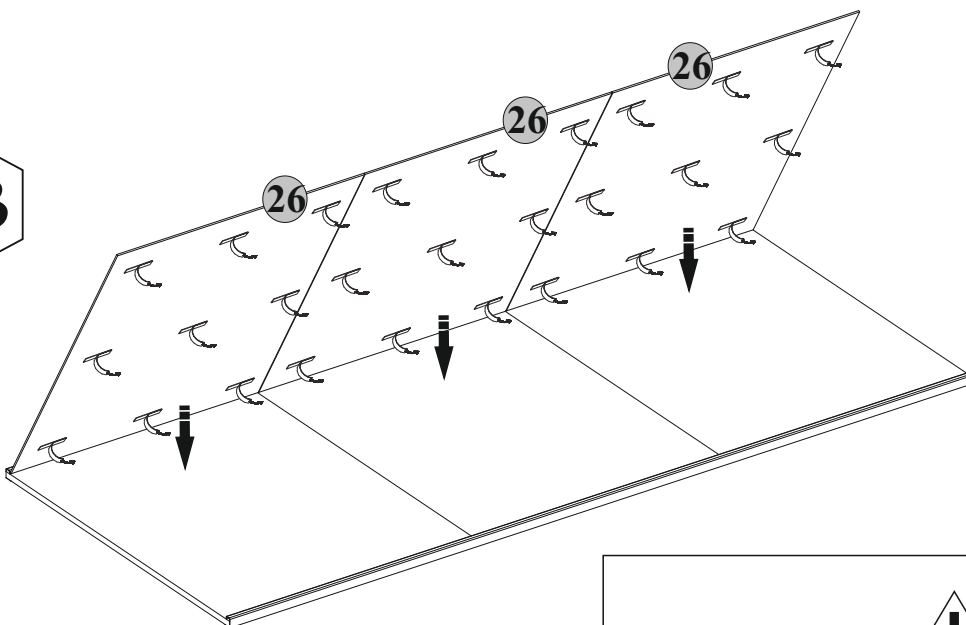
21



22

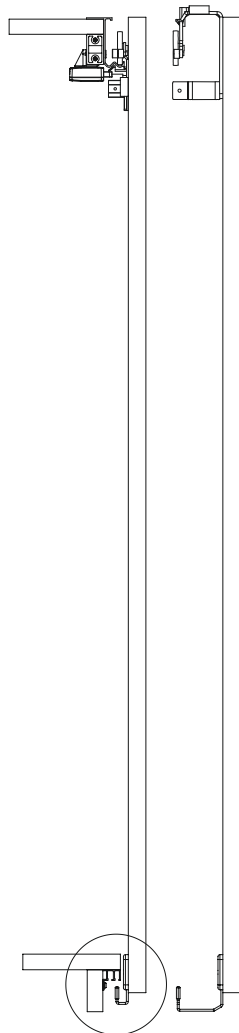
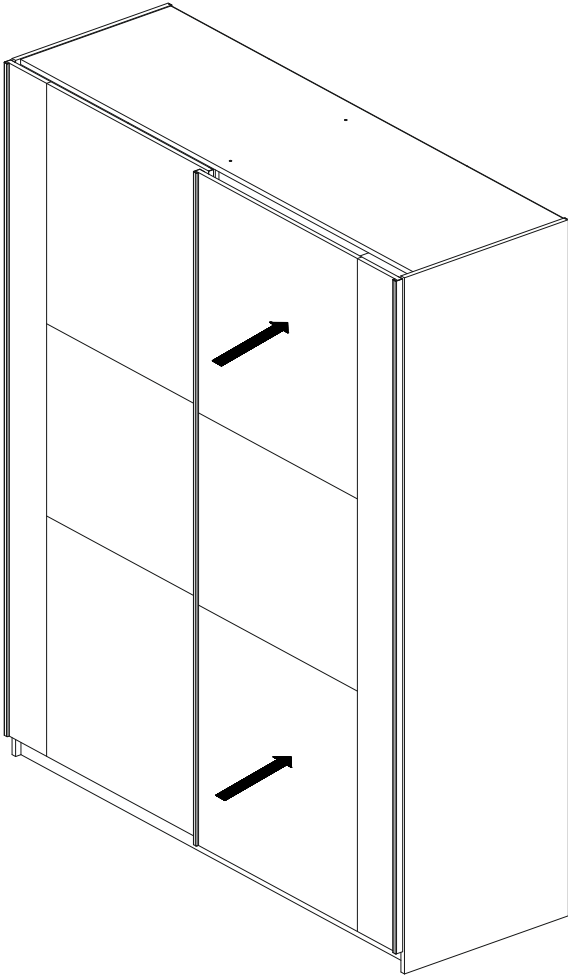


23

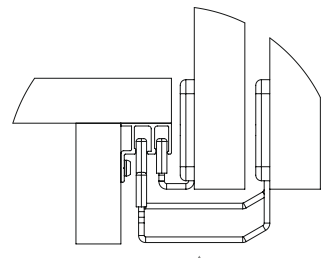
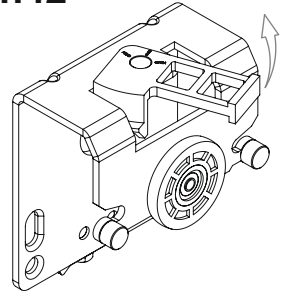


12

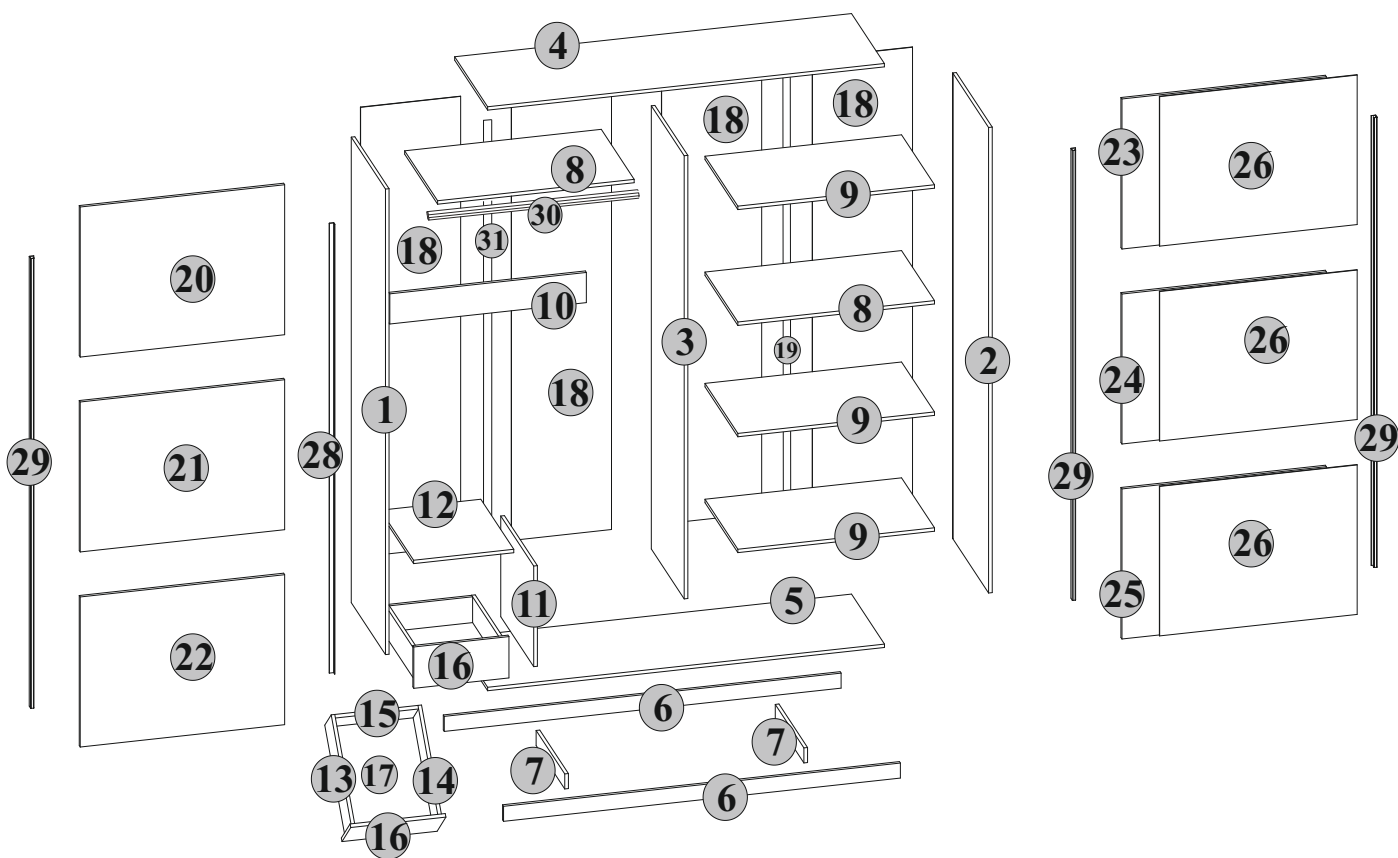
24



n42



n46



number	Measurements	Pcs.	number	Measurements	Pcs.	number	Measurements	Pcs.
1	2173x563	1	11	470x542	1	21	902x700	1
2	2173x591	1	12	442x543	1	22	902x700	1
3	2049x542	1	13	500x140	2	23	902x700	1
4	1752x542	1	14	500x140	2	24	902x700	1
5	1752x559	1	15	367x140	2	25	902x700	1
6	1752x90	2	16	419x192	2	26	698x872	3
7	471x90	2	17	377x494	2	28	2100x	1
8	868x542	2	18	2079x442	4	29	2100x	3
9	868x542	3	19	1583x	1	30	864x	1
10	868x140	1	20	902x700	1	31	2000x	1