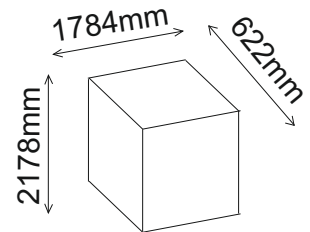
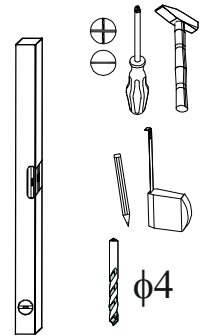
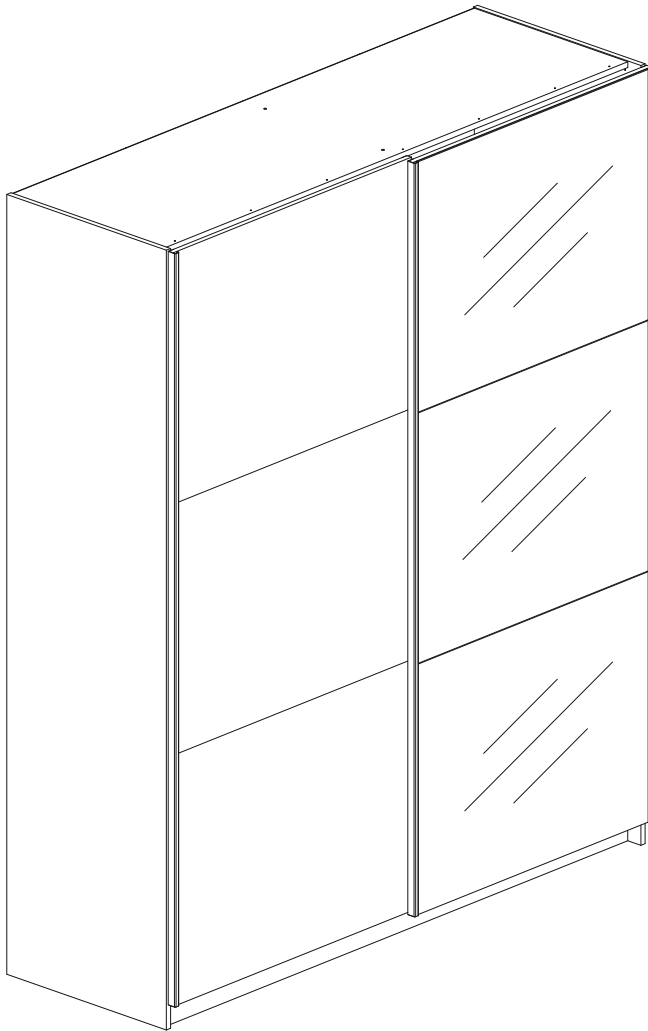


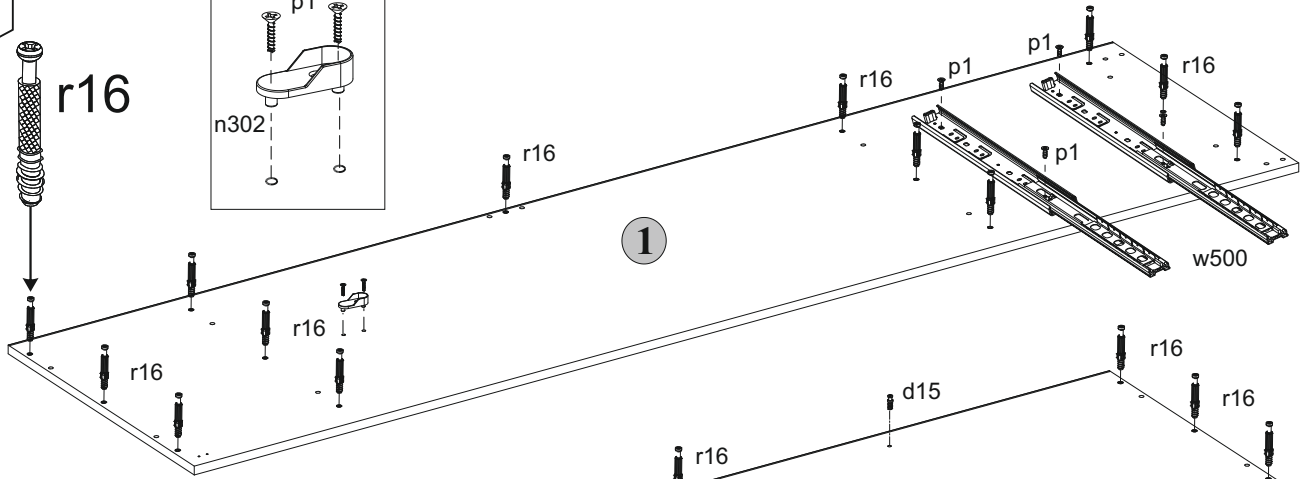
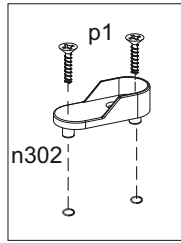
# Sliding wardrobe new



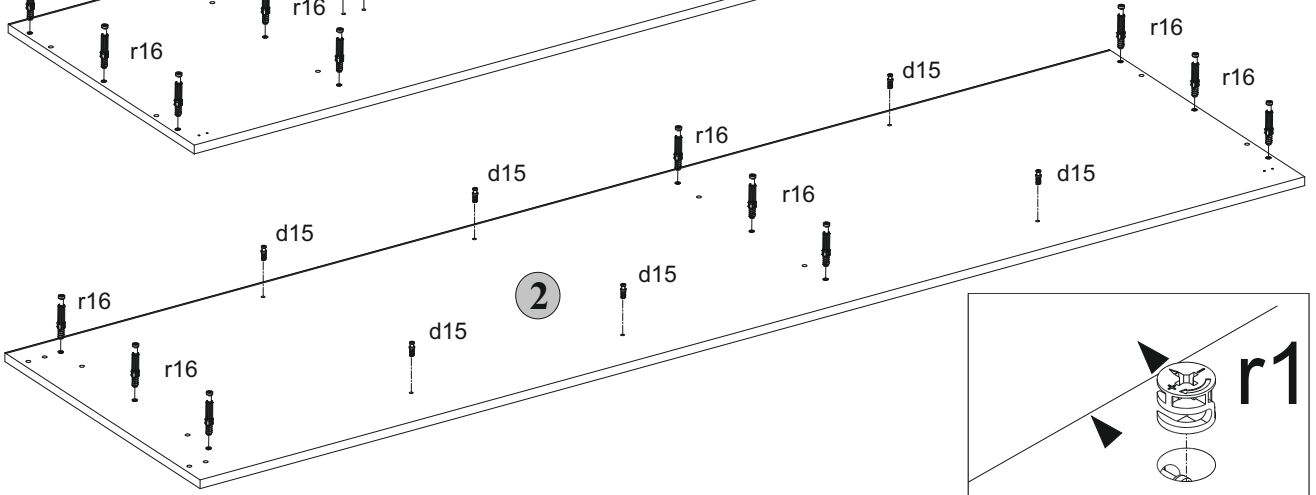
4x  φ4x25 mm <b>p36</b>	2x  3,9x25 <b>f18</b>	2x  <b>f19</b>	2x  μ4x12 <b>j78</b>	2x  μ4 <b>j79</b>	4x  <b>d6</b>
1x  <b>f20</b>	2x  <b>n46</b>	1x  <b>n44</b>	1x  <b>n43</b>	2x  <b>n42</b>	2x  <b>n45</b>
24x  φ8x50 mm <b>f6</b>	12x  <b>r10</b>	2x  <b>w500</b>	32x  φ5x11 mm <b>e3</b>	1x  <b>z1</b>	64x  φ15 #16 <b>r1</b>
8x  <b>k1</b>	40x  <b>r16</b>	12x  <b>d17</b>	12x  <b>d15</b>	150x  1x16 <b>l1</b>	18x  <b>s1</b>
90x  φ3.5x13 mm <b>p1</b>	64x  <b>s2</b>	2x  <b>n302</b>	46x  φ8x30 mm <b>f1</b>	18x  7x50 <b>e1</b>	



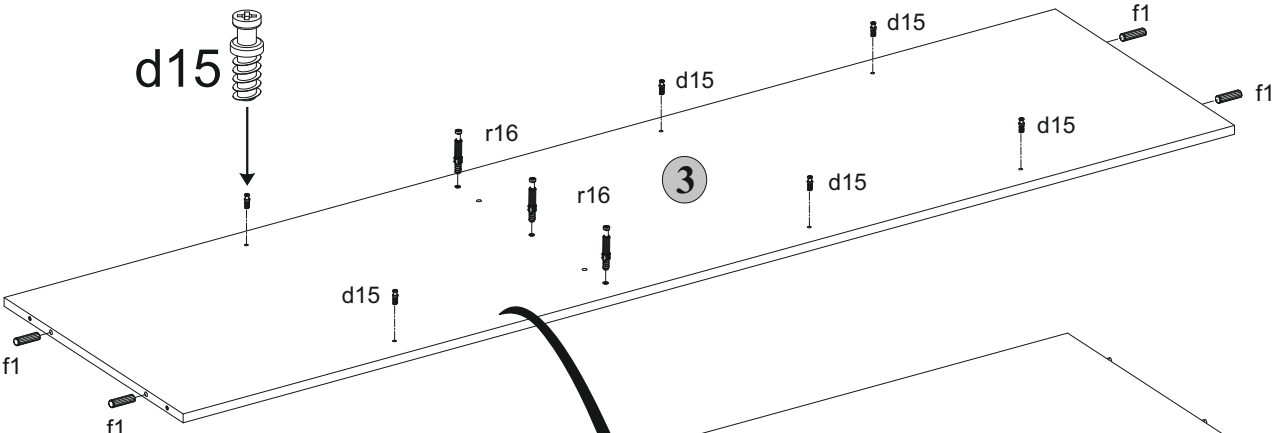
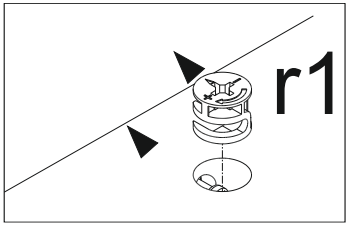
r16



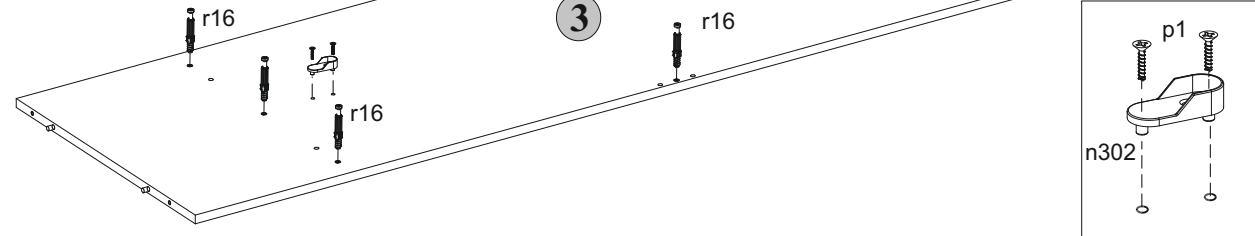
1



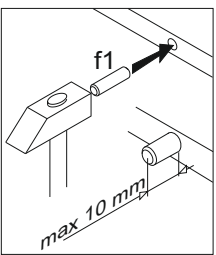
2



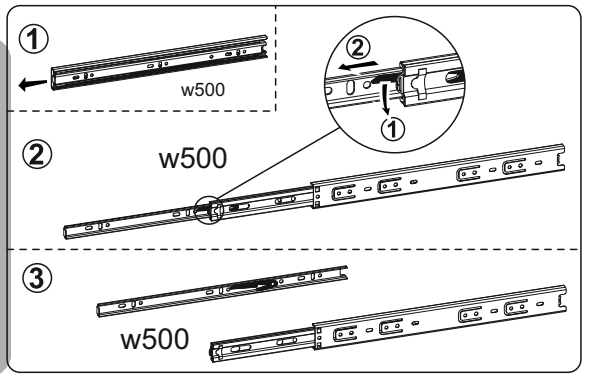
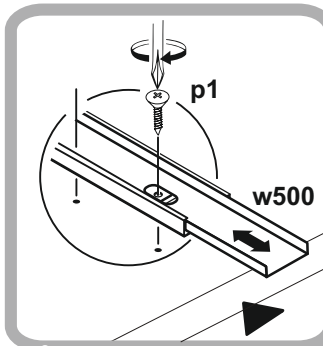
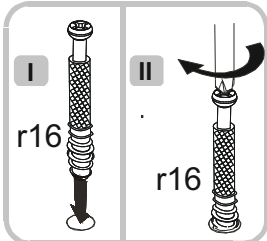
3



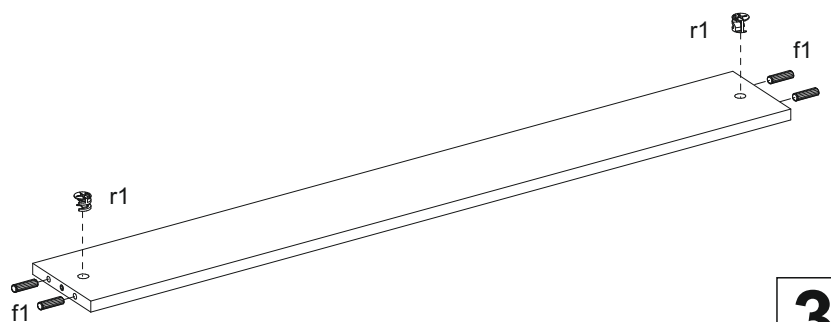
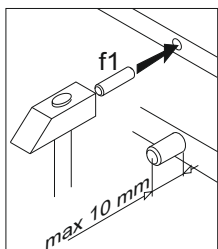
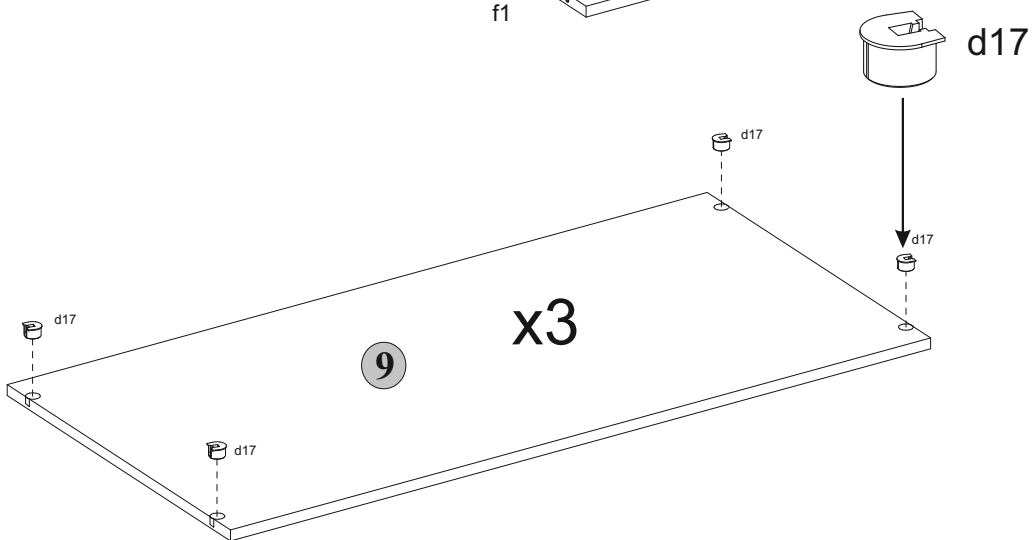
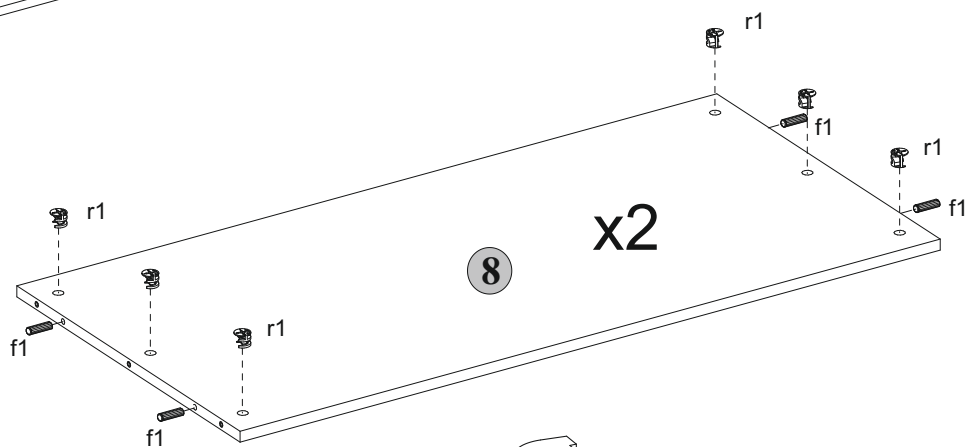
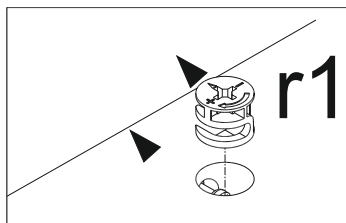
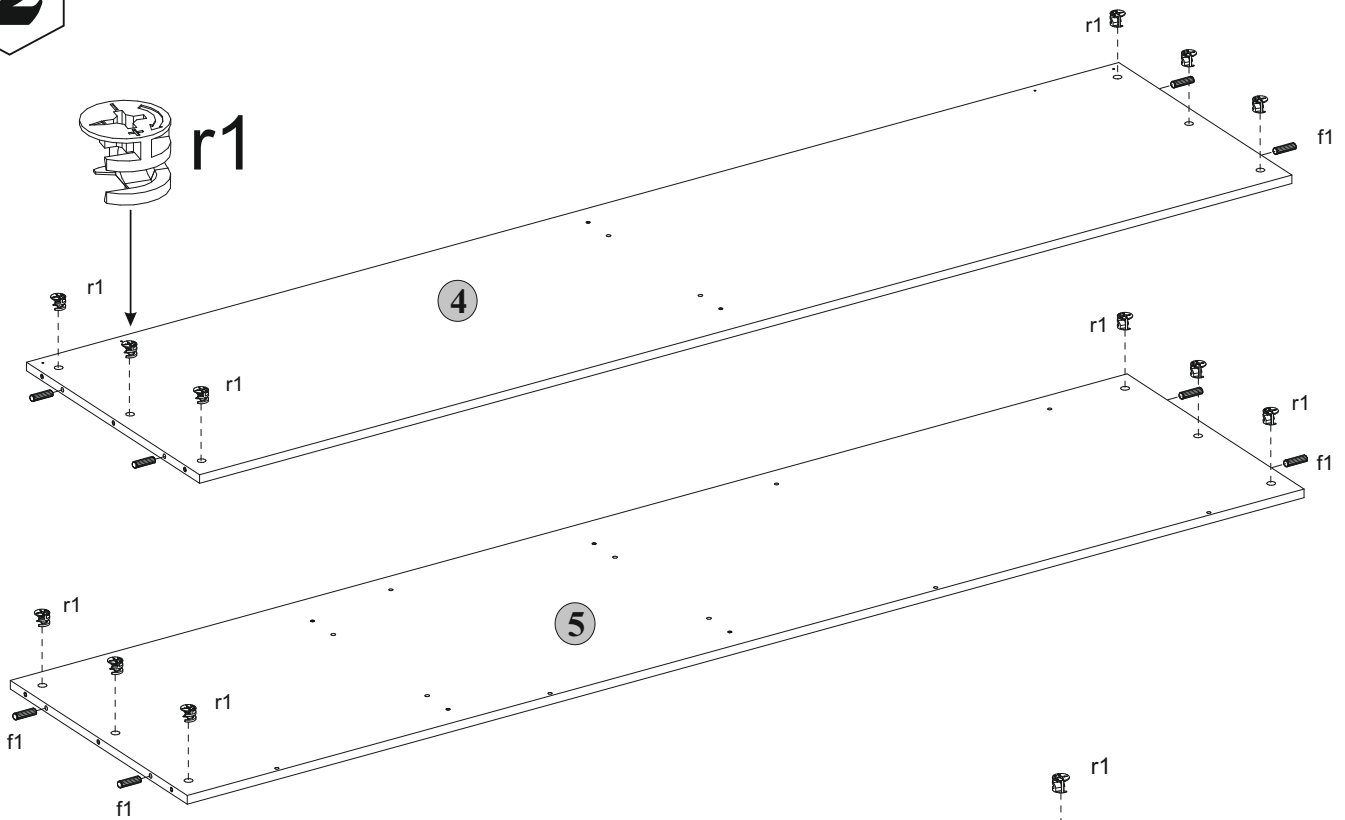
3



2

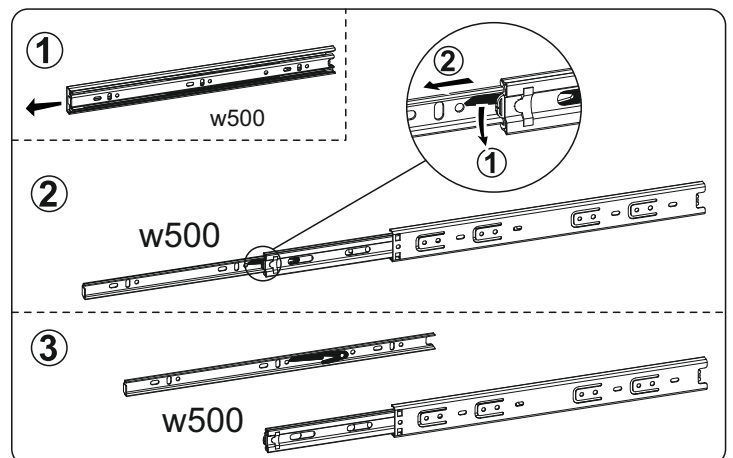
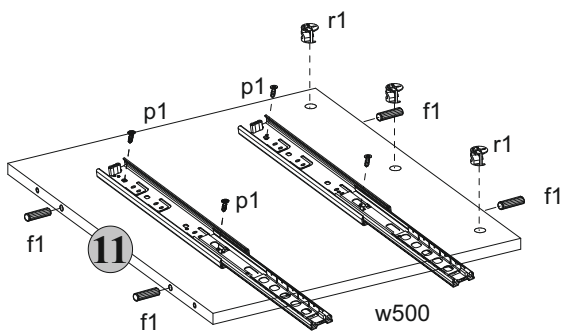
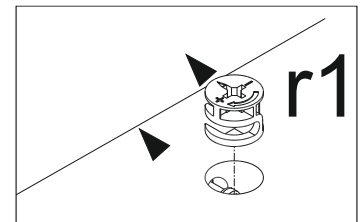
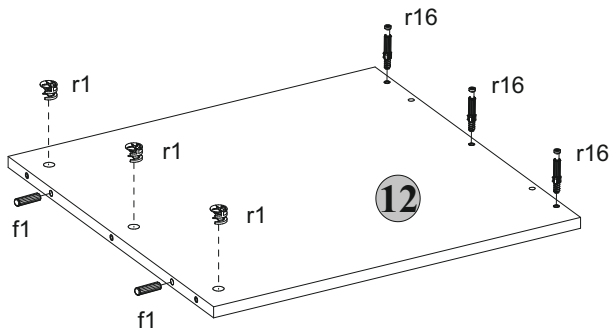
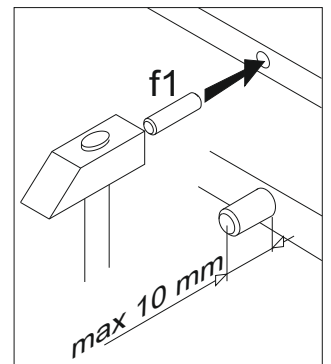
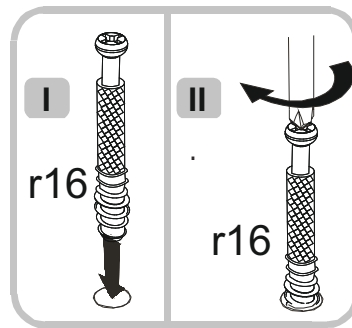
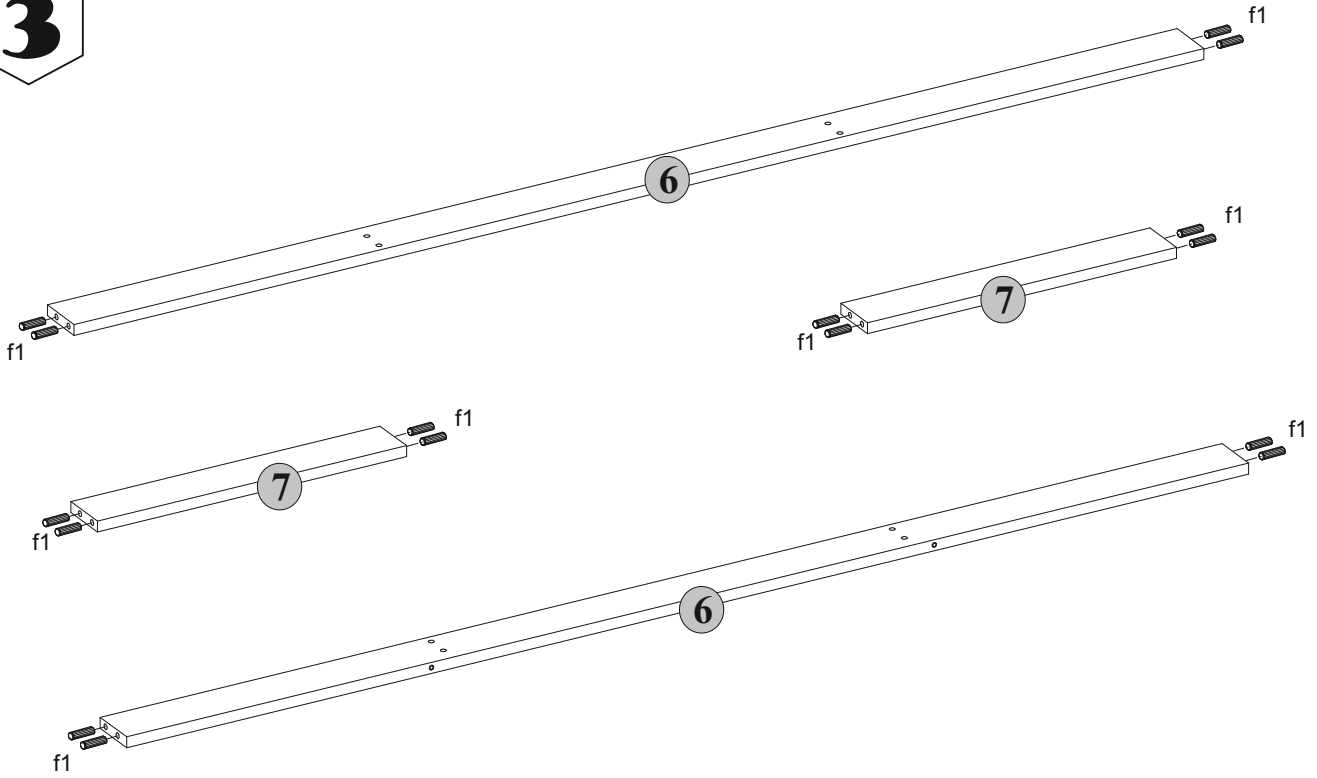


**2**



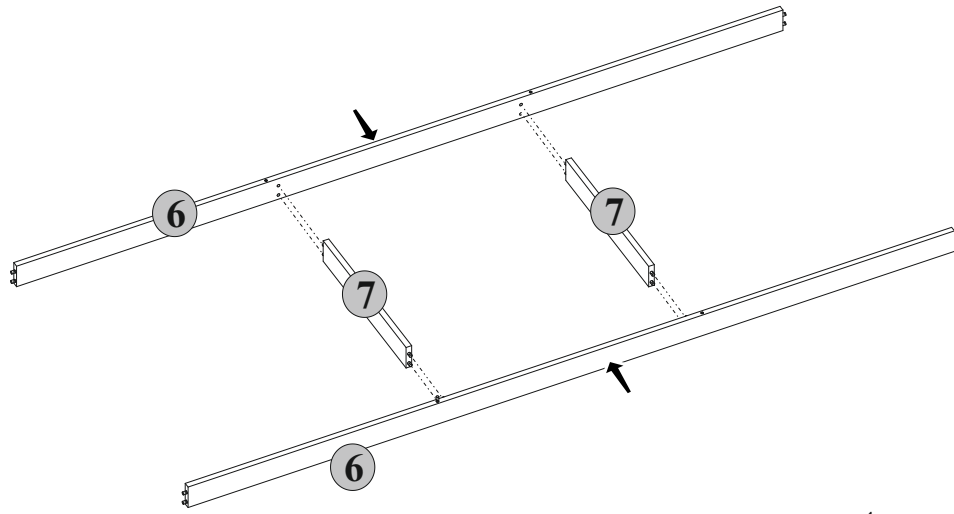
**3**

**3**

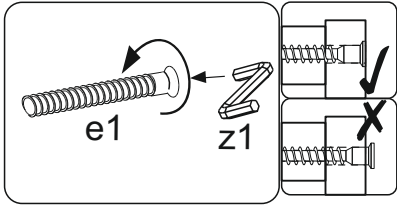
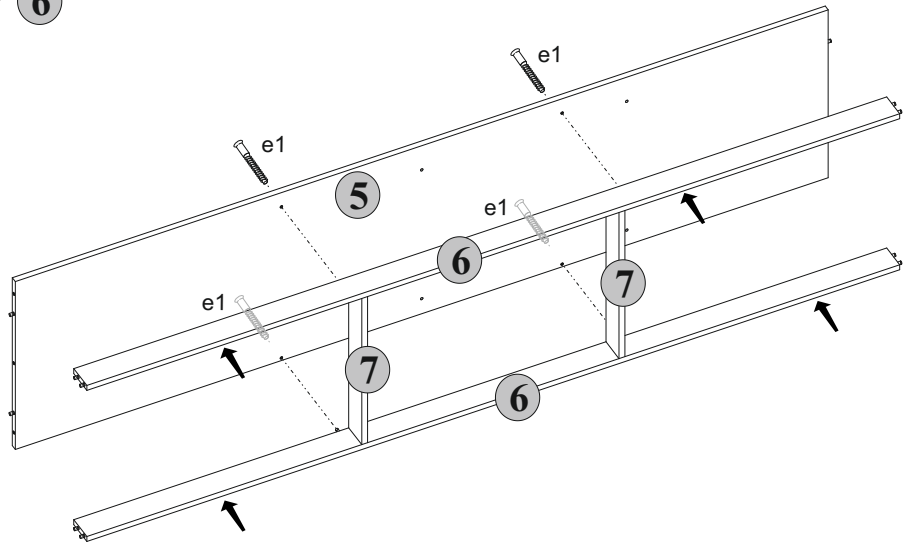


**4**

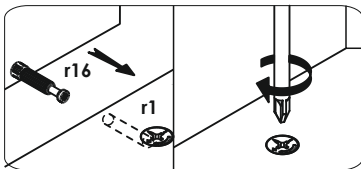
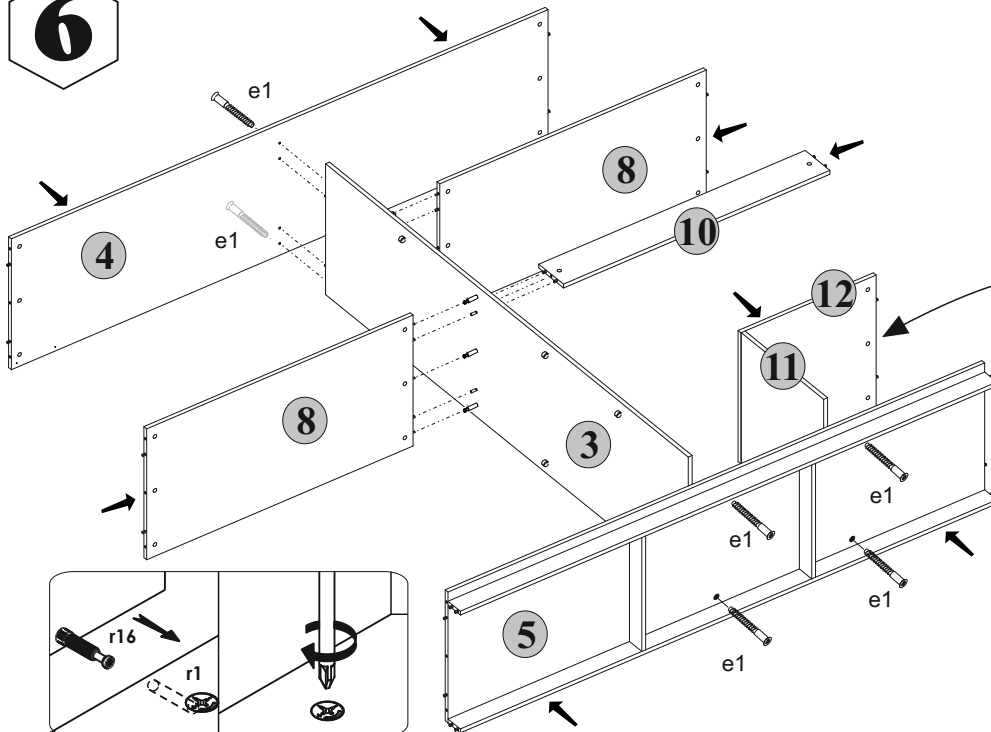
4



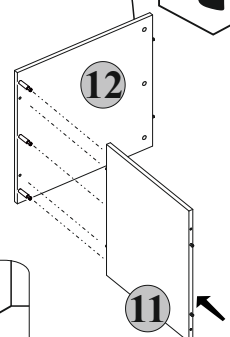
5



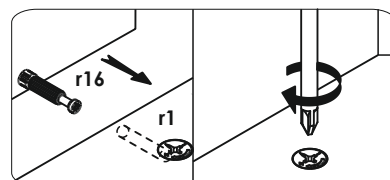
6



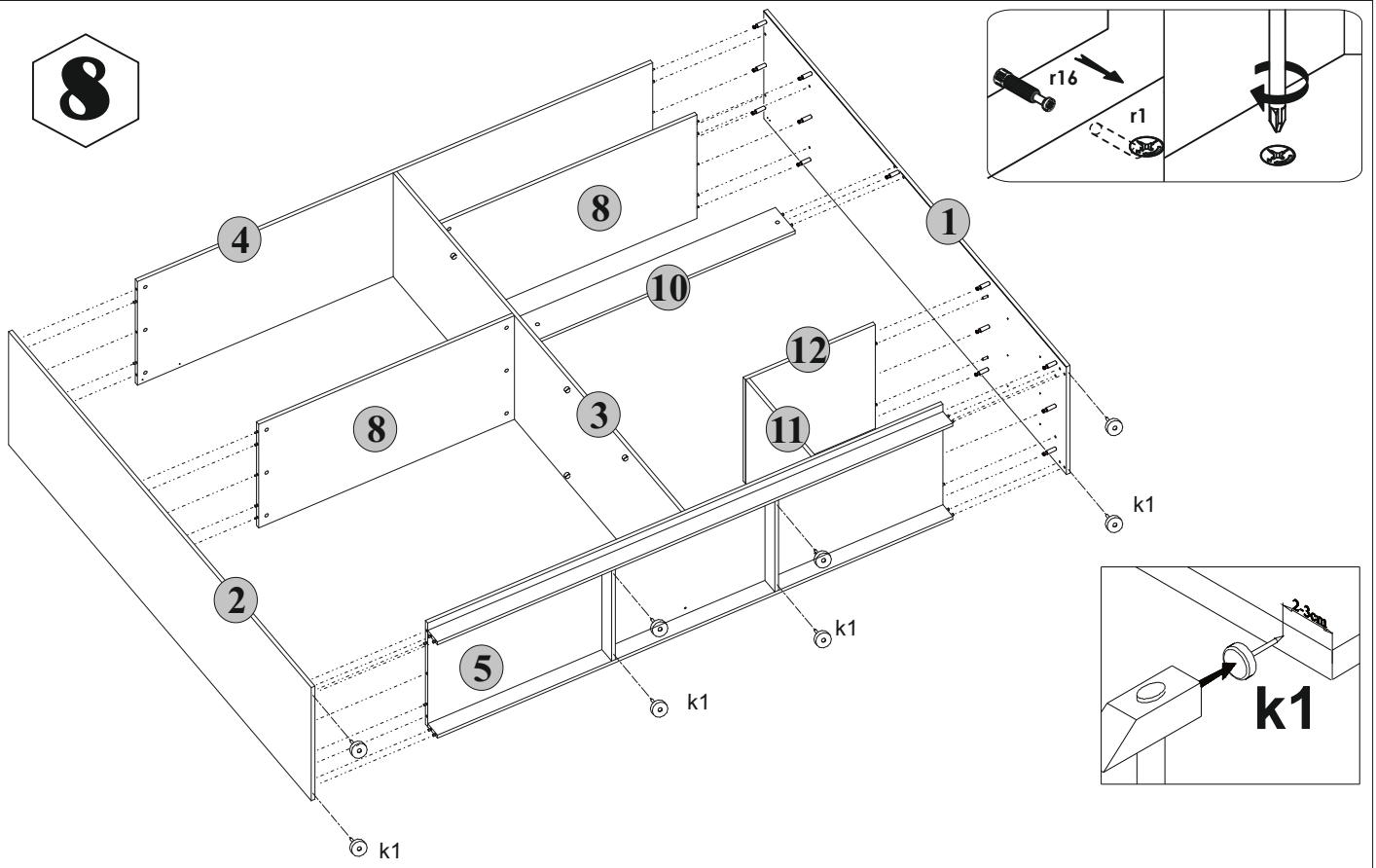
7



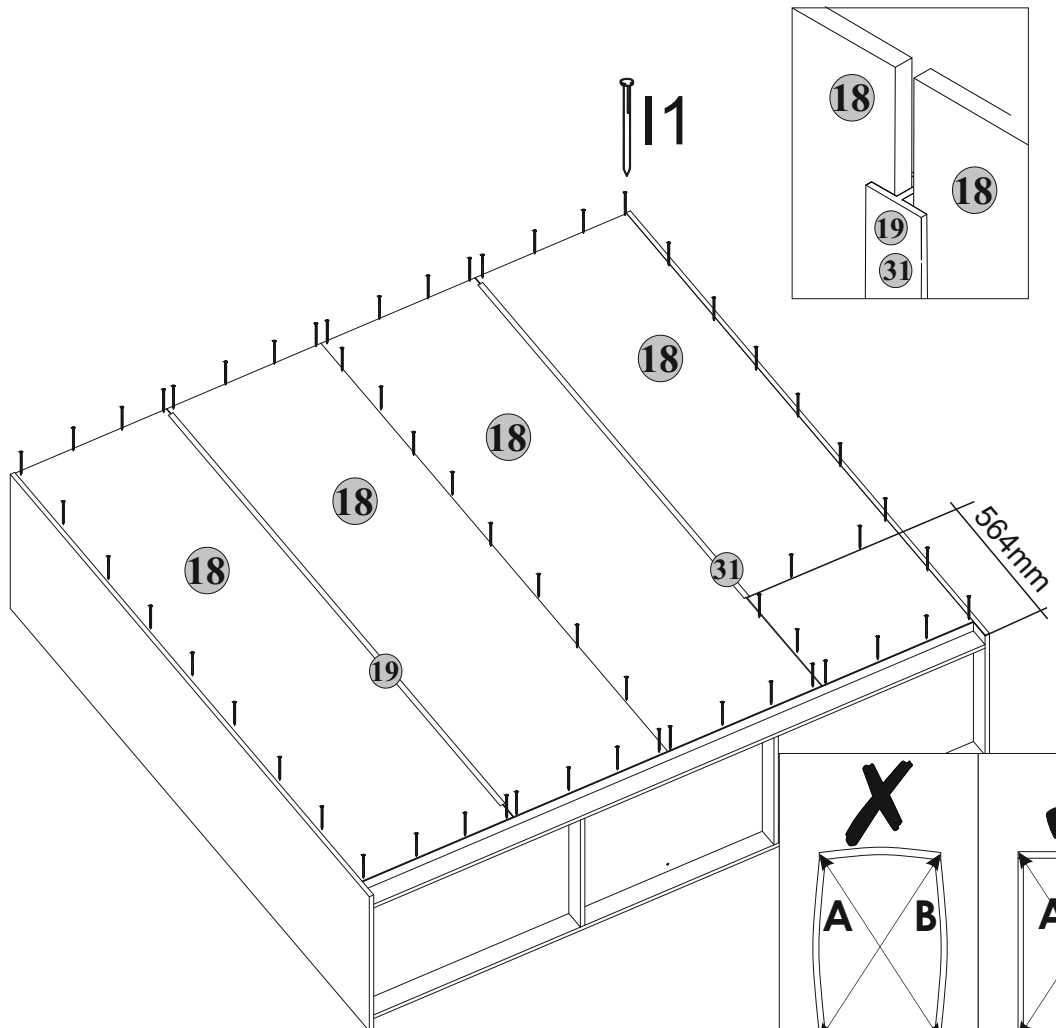
5



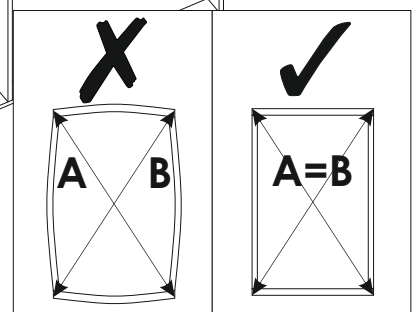
8



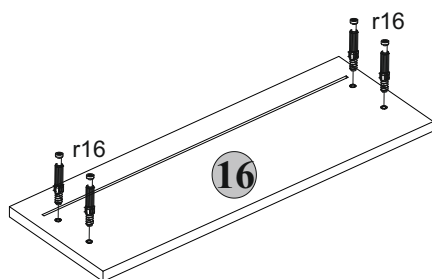
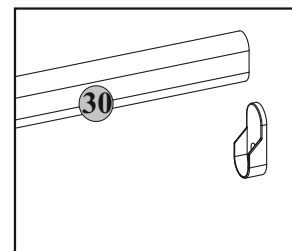
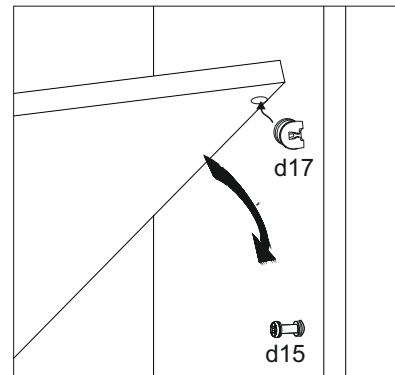
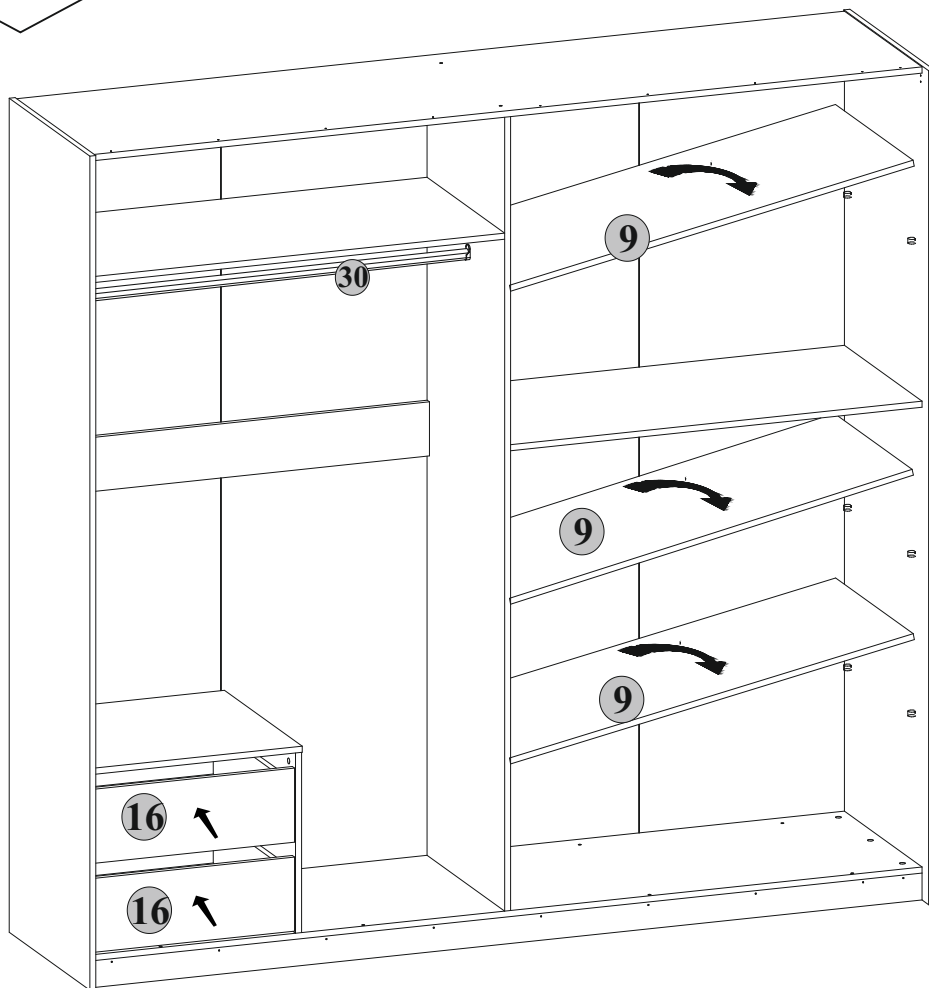
9



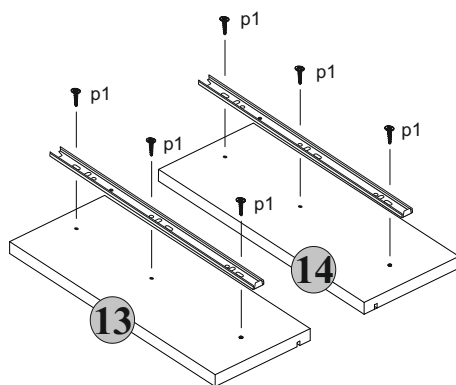
6



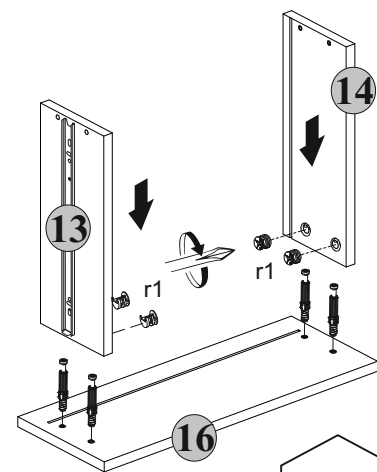
**10**



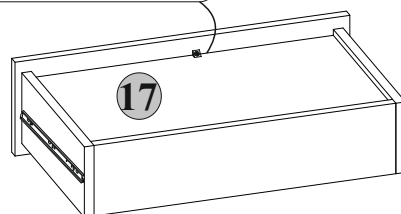
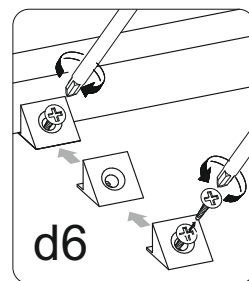
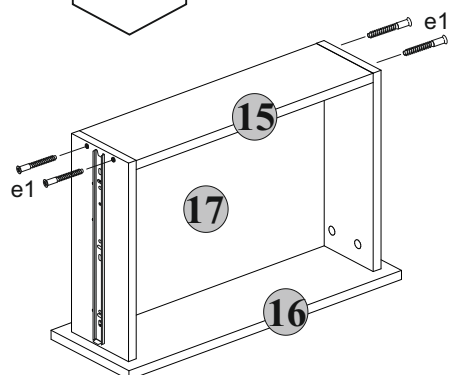
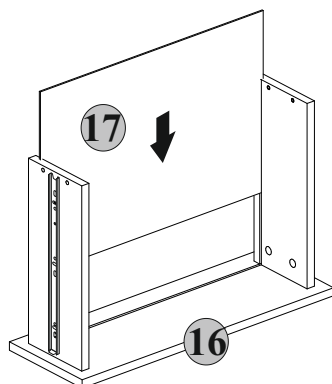
**11**



**13**

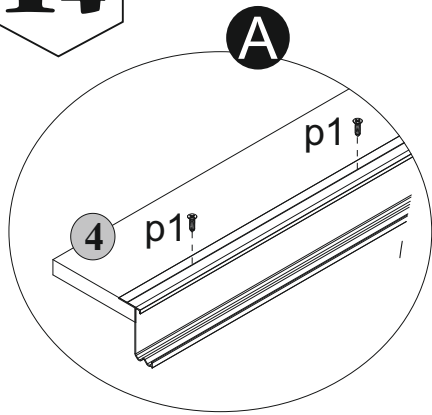


**12**

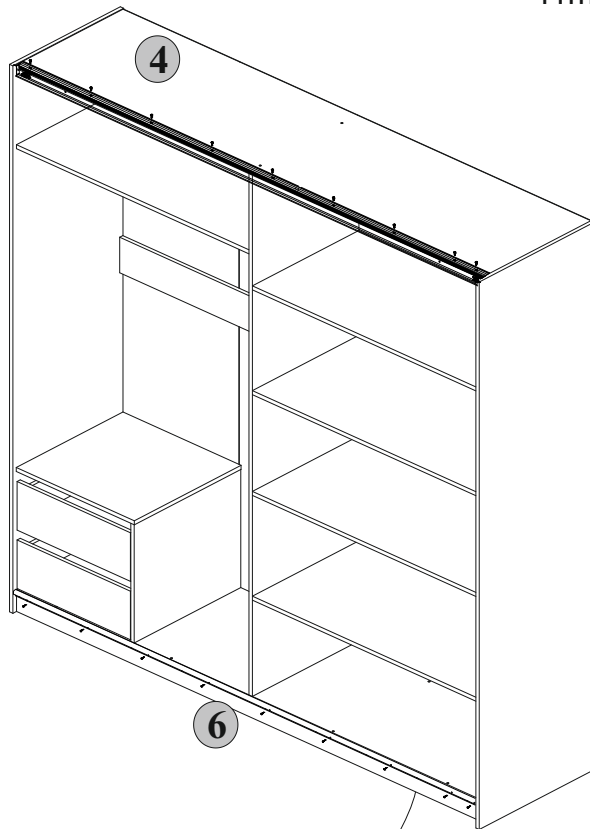
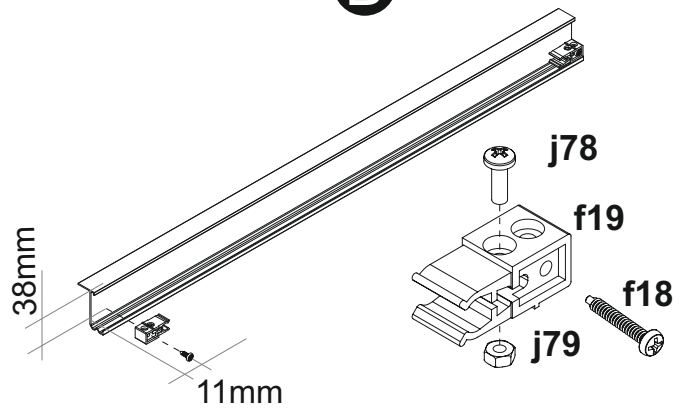


**7**

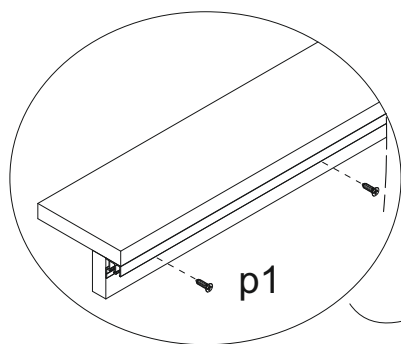
**14**



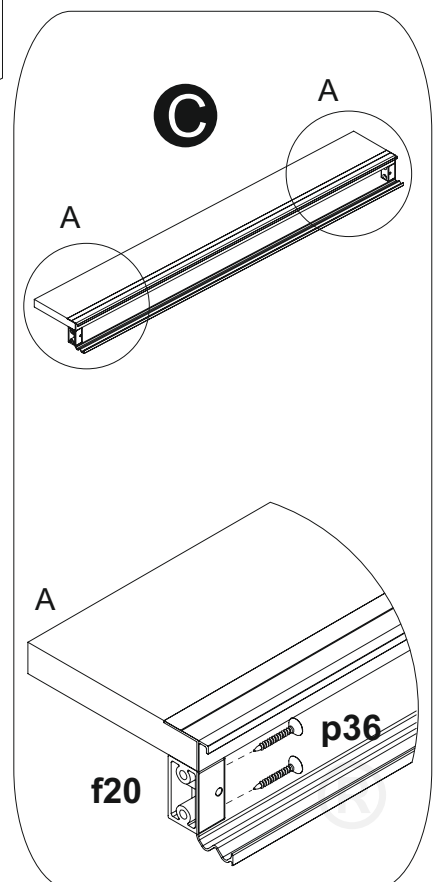
**B**



**15**

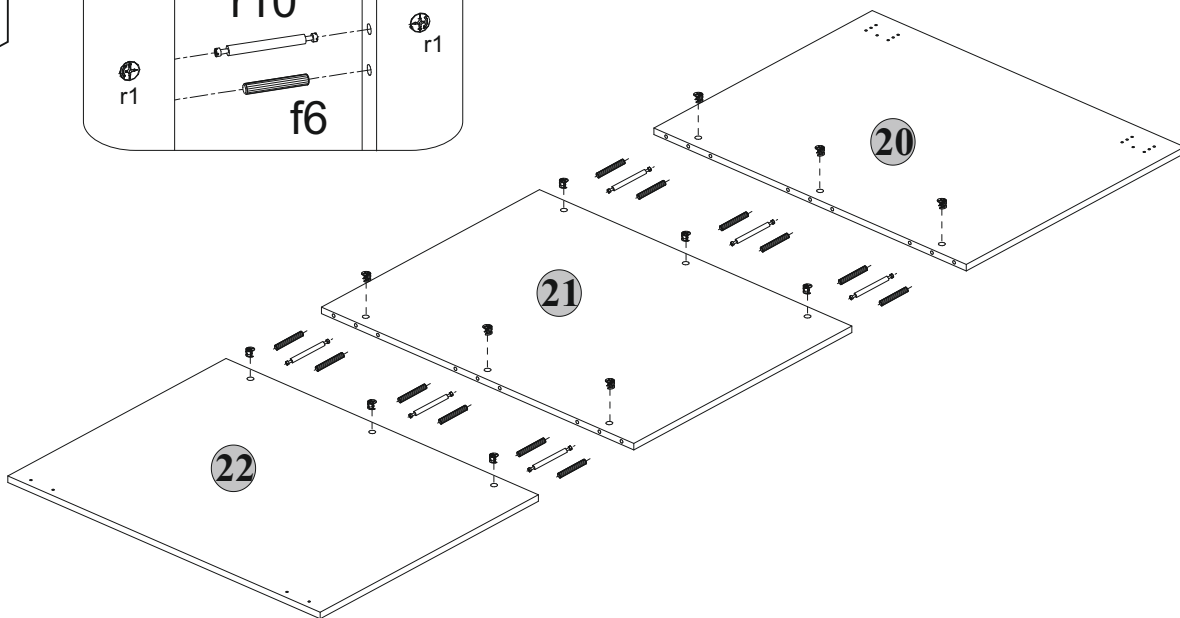
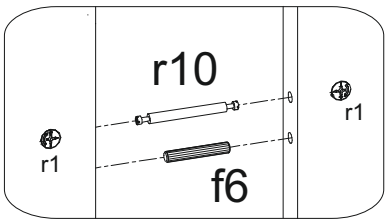


**C**

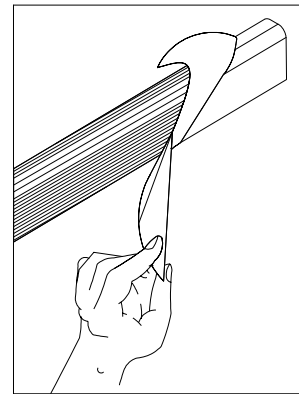
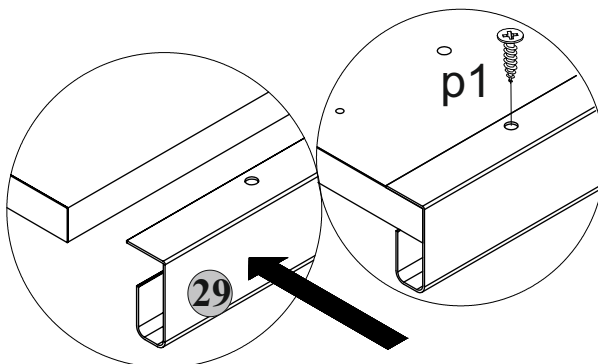
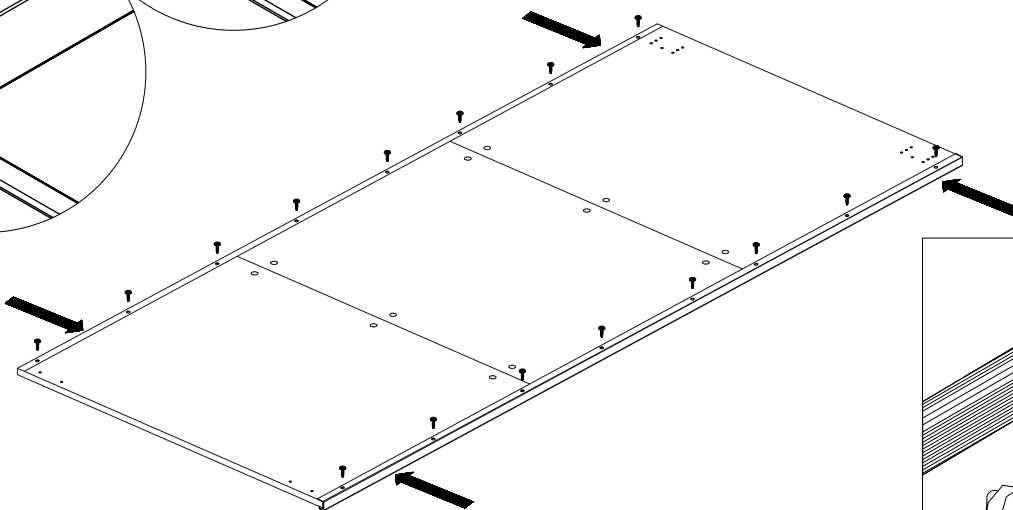
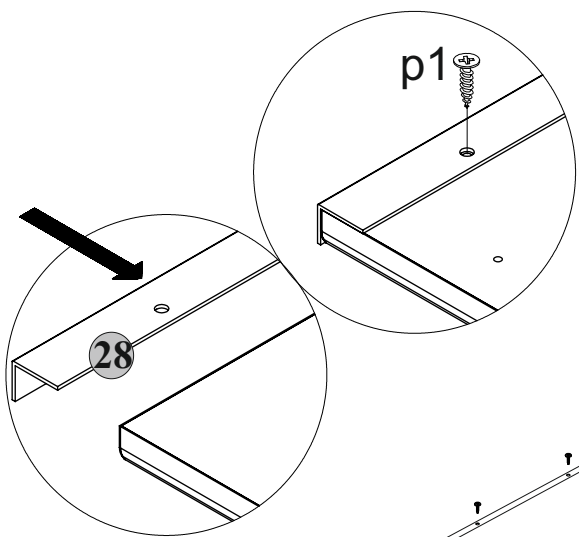




**16**

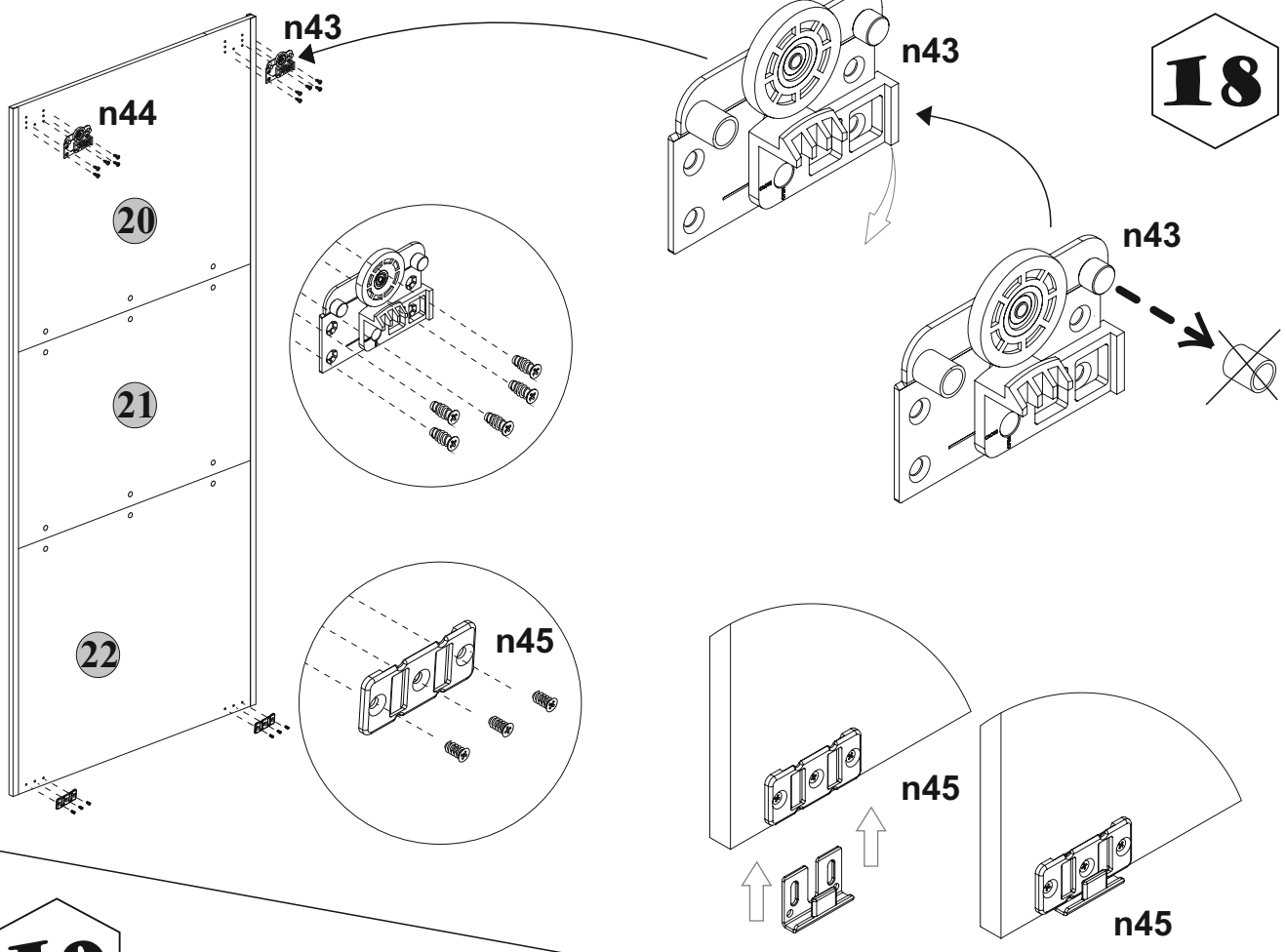


**17**

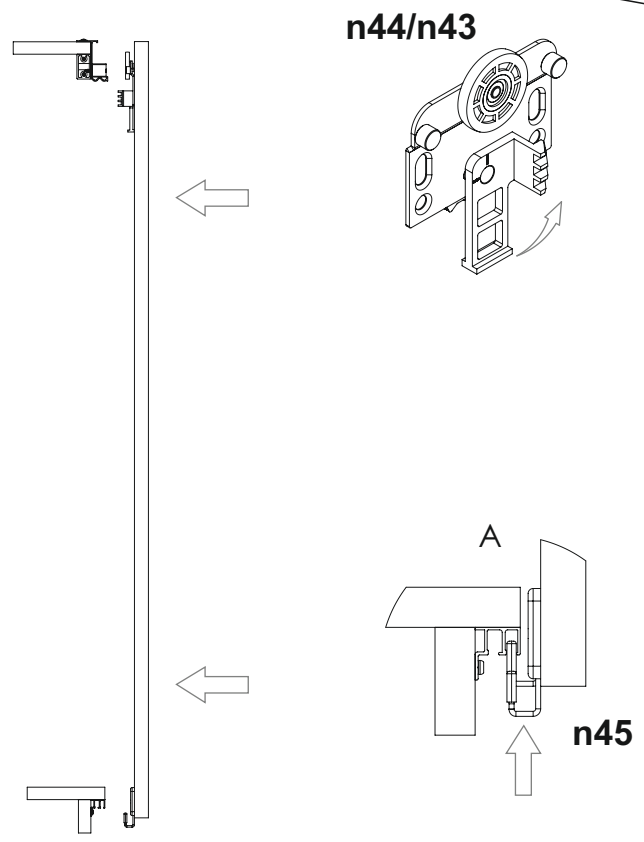
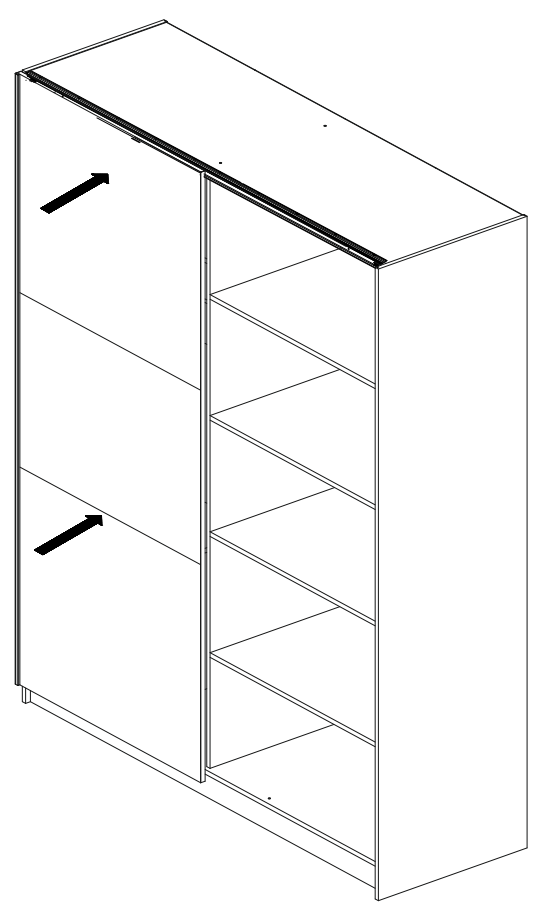


**7**

**18**

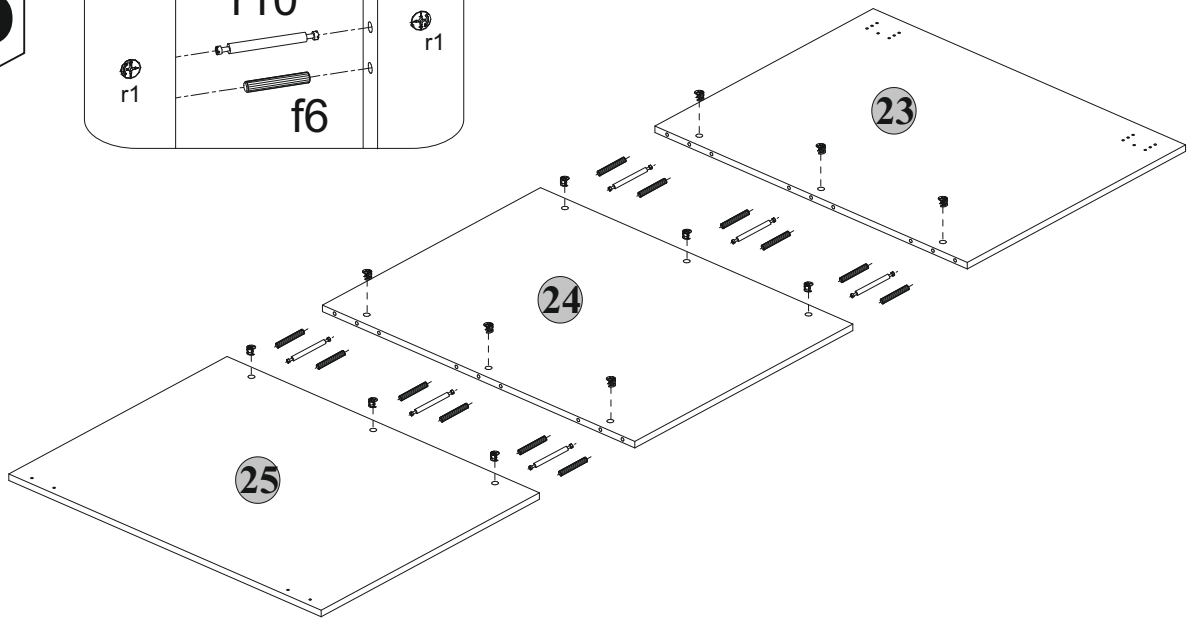
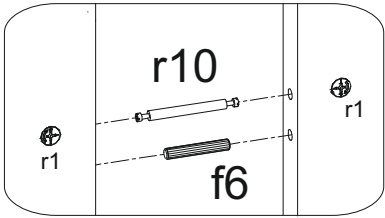


**19**

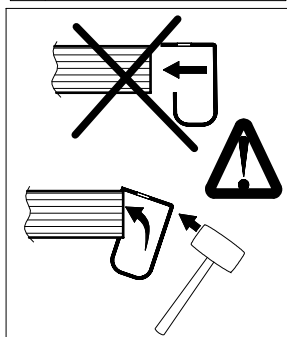
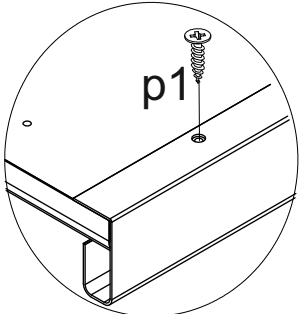
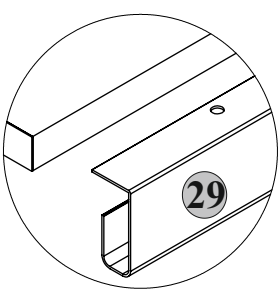
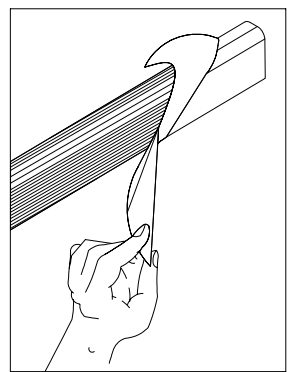
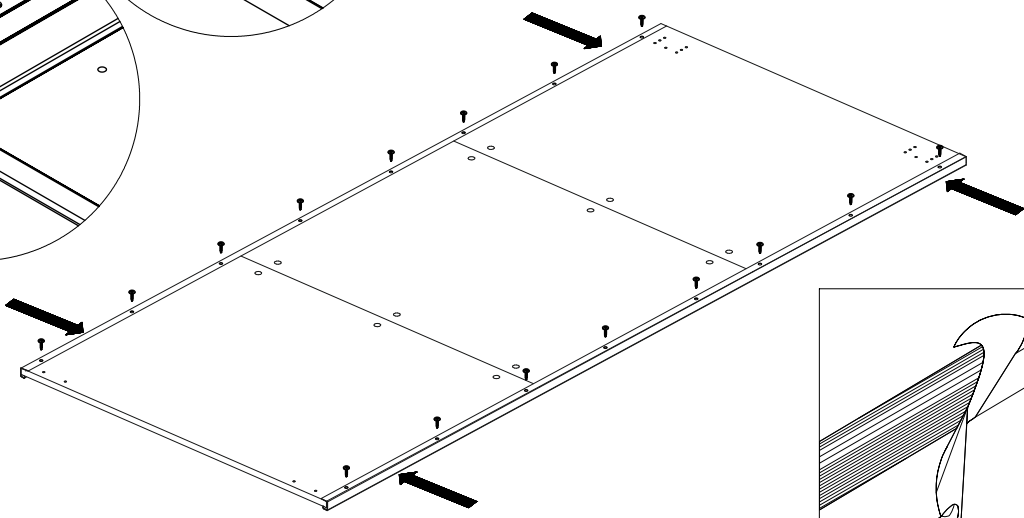
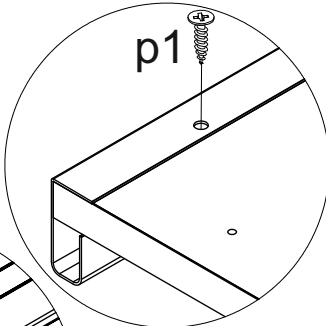
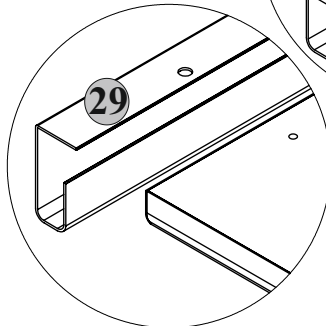


**10**

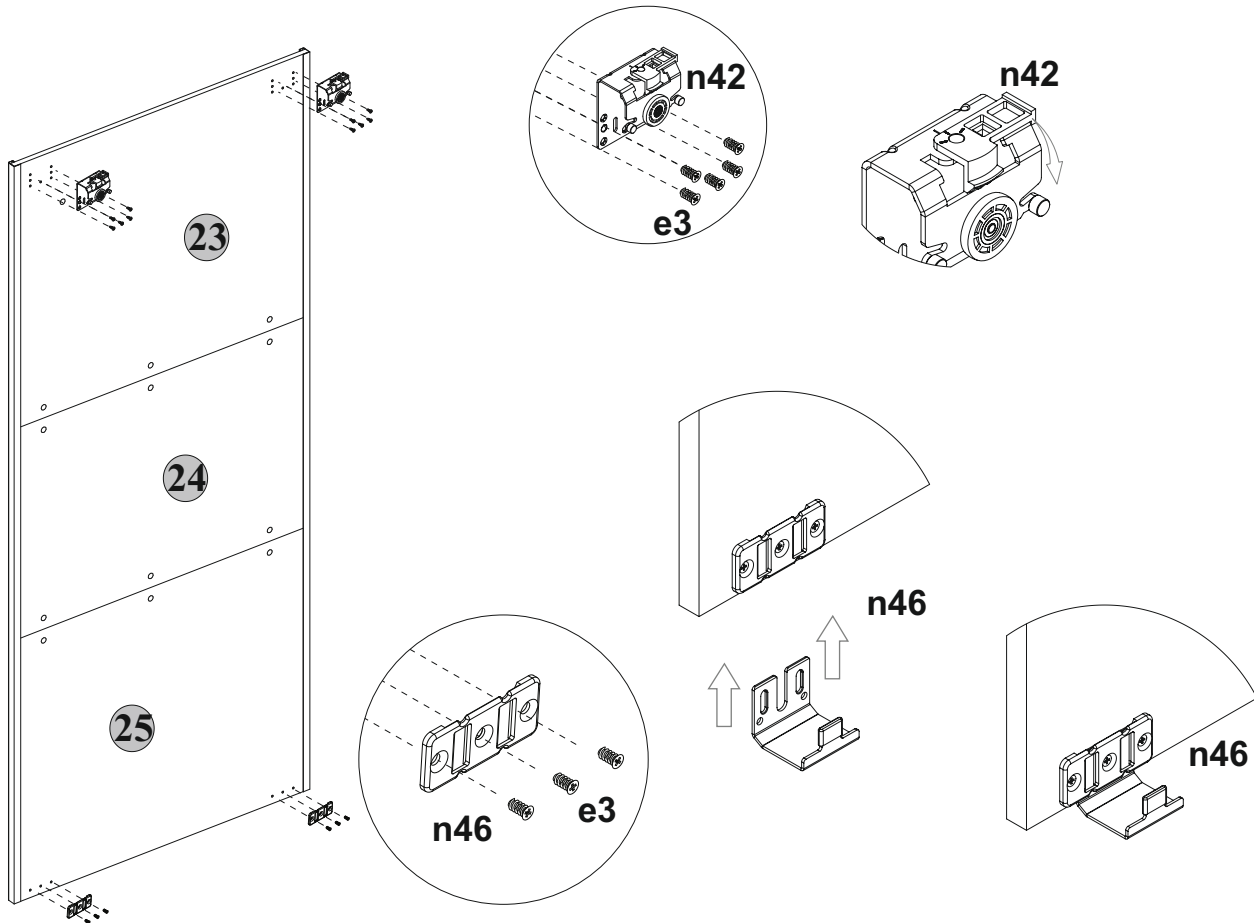
**20**



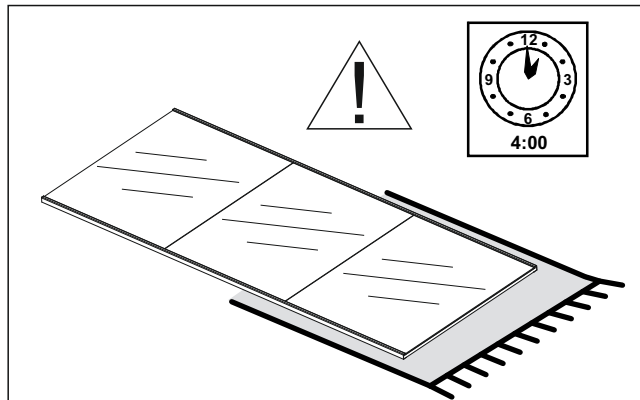
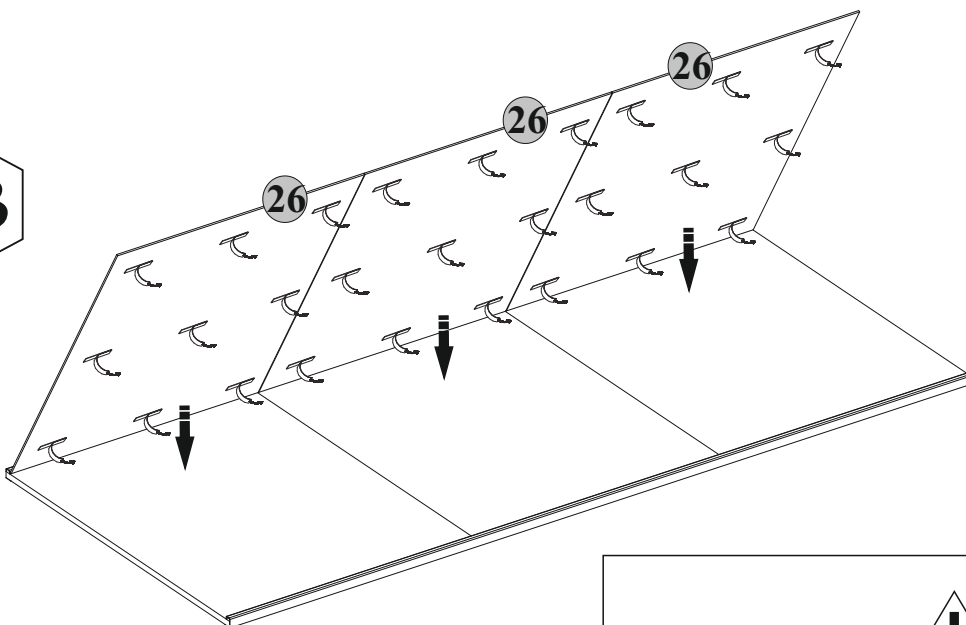
**21**



**22**

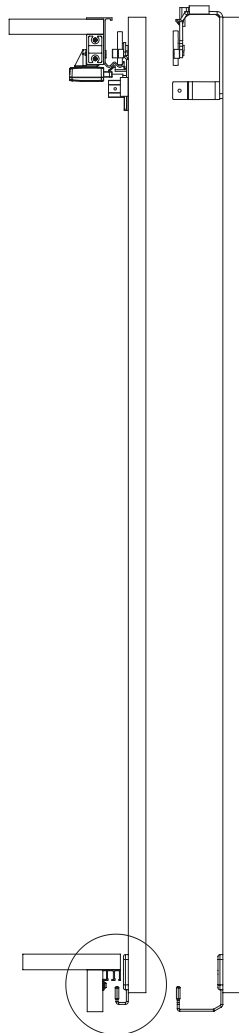
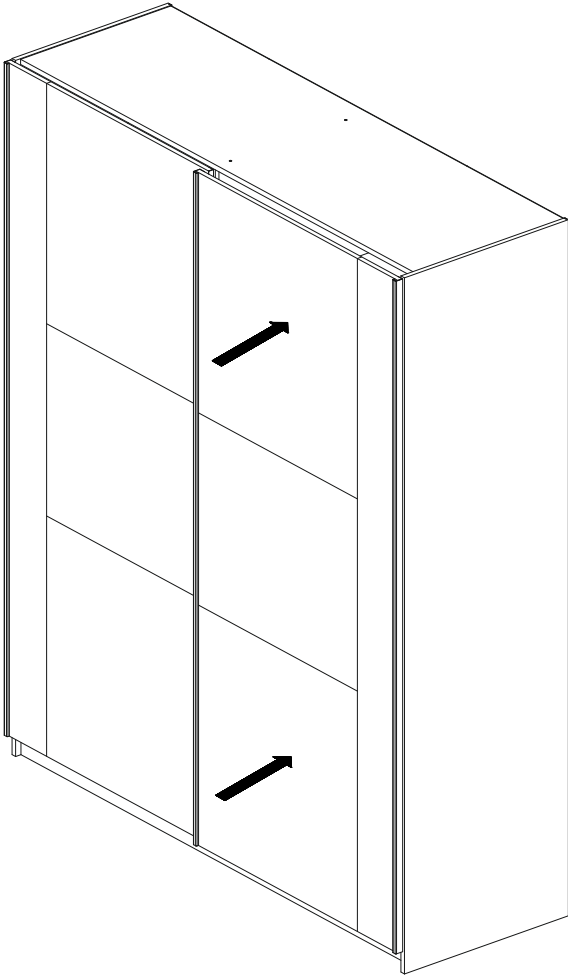


**23**

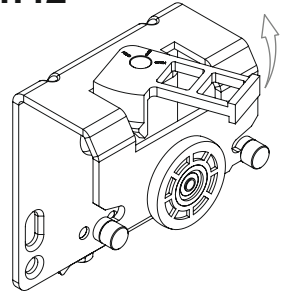


**12**

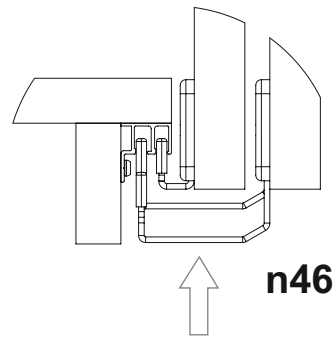
**24**

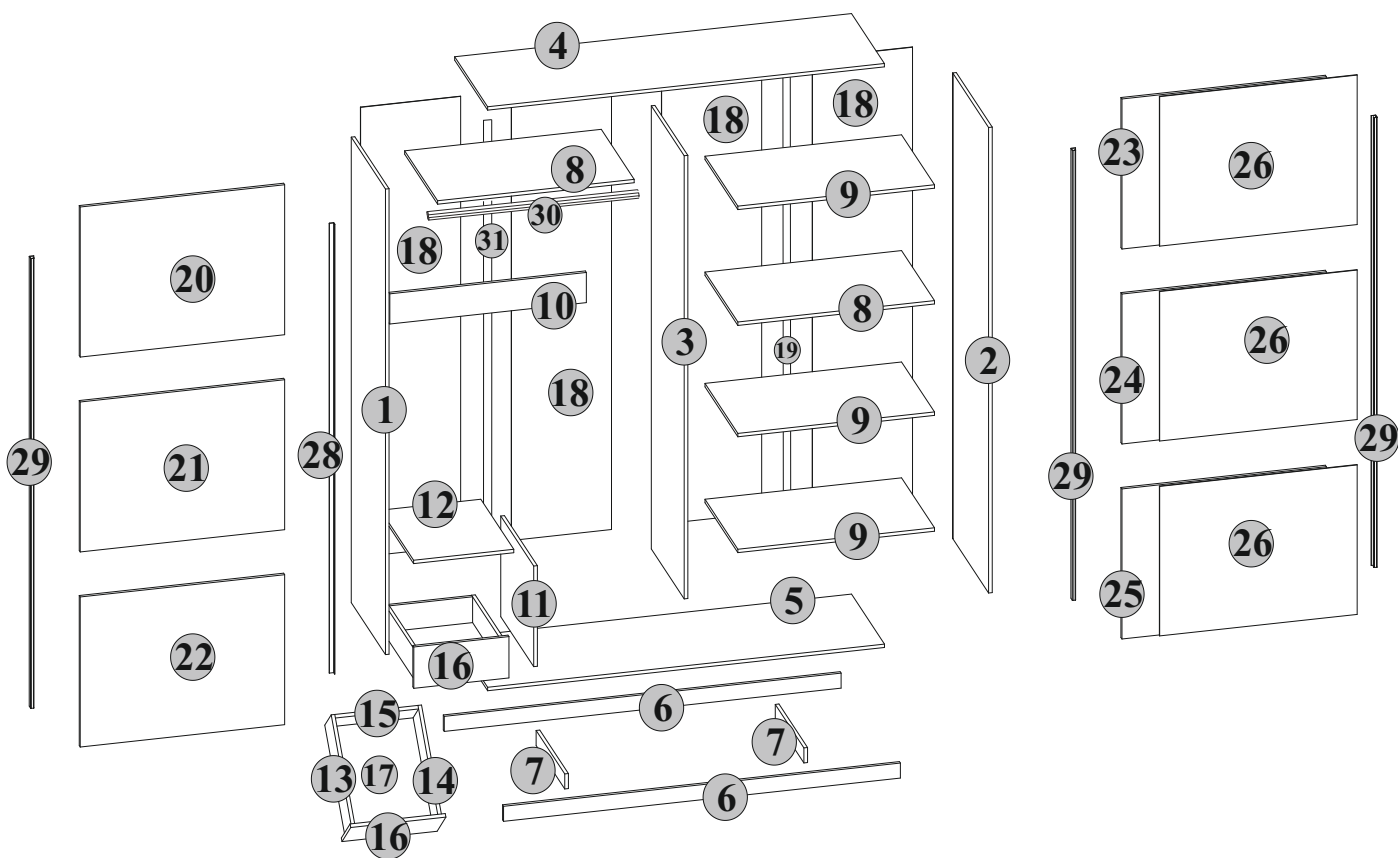


**n42**



**n46**





number	Measurements	Pcs.	number	Measurements	Pcs.	number	Measurements	Pcs.
1	2173x563	1	11	470x542	1	21	902x700	1
2	2173x591	1	12	442x543	1	22	902x700	1
3	2049x542	1	13	500x140	2	23	902x700	1
4	1752x542	1	14	500x140	2	24	902x700	1
5	1752x559	1	15	367x140	2	25	902x700	1
6	1752x90	2	16	419x192	2	26	698x872	3
7	471x90	2	17	377x494	2	28	2100x	1
8	868x542	2	18	2079x442	4	29	2100x	3
9	868x542	3	19	1583x	1	30	864x	1
10	868x140	1	20	902x700	1	31	2000x	1