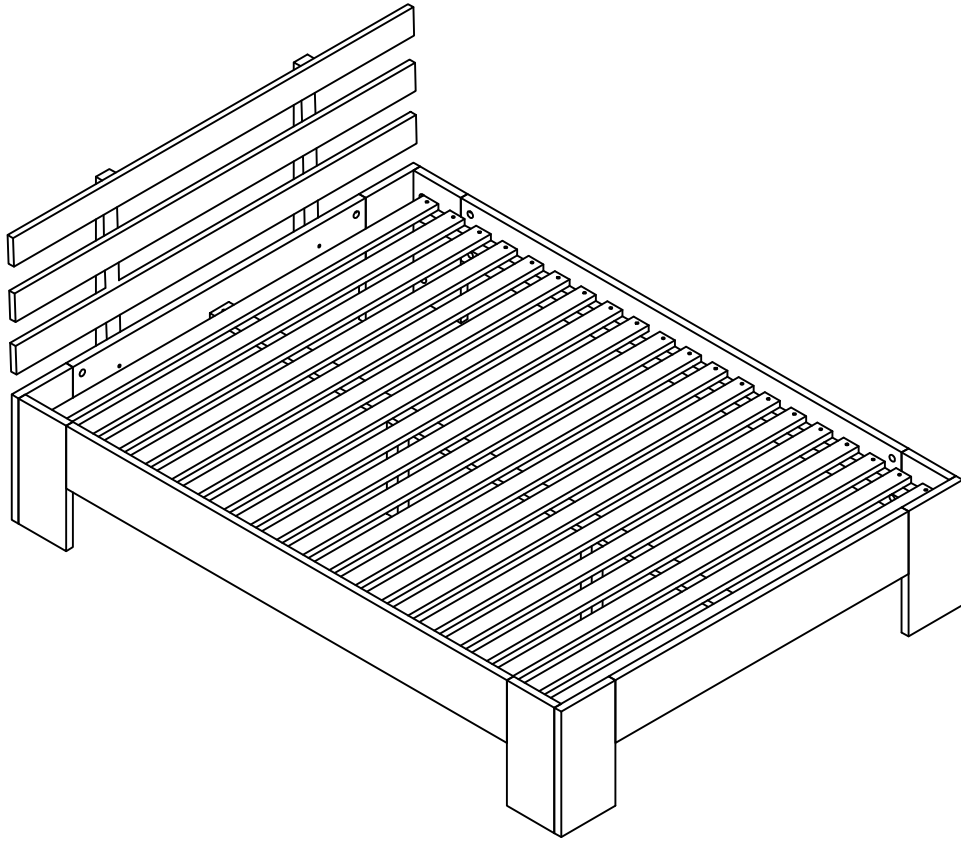


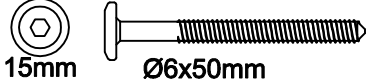
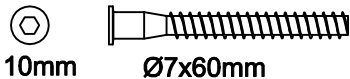



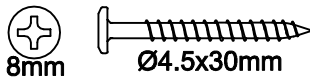

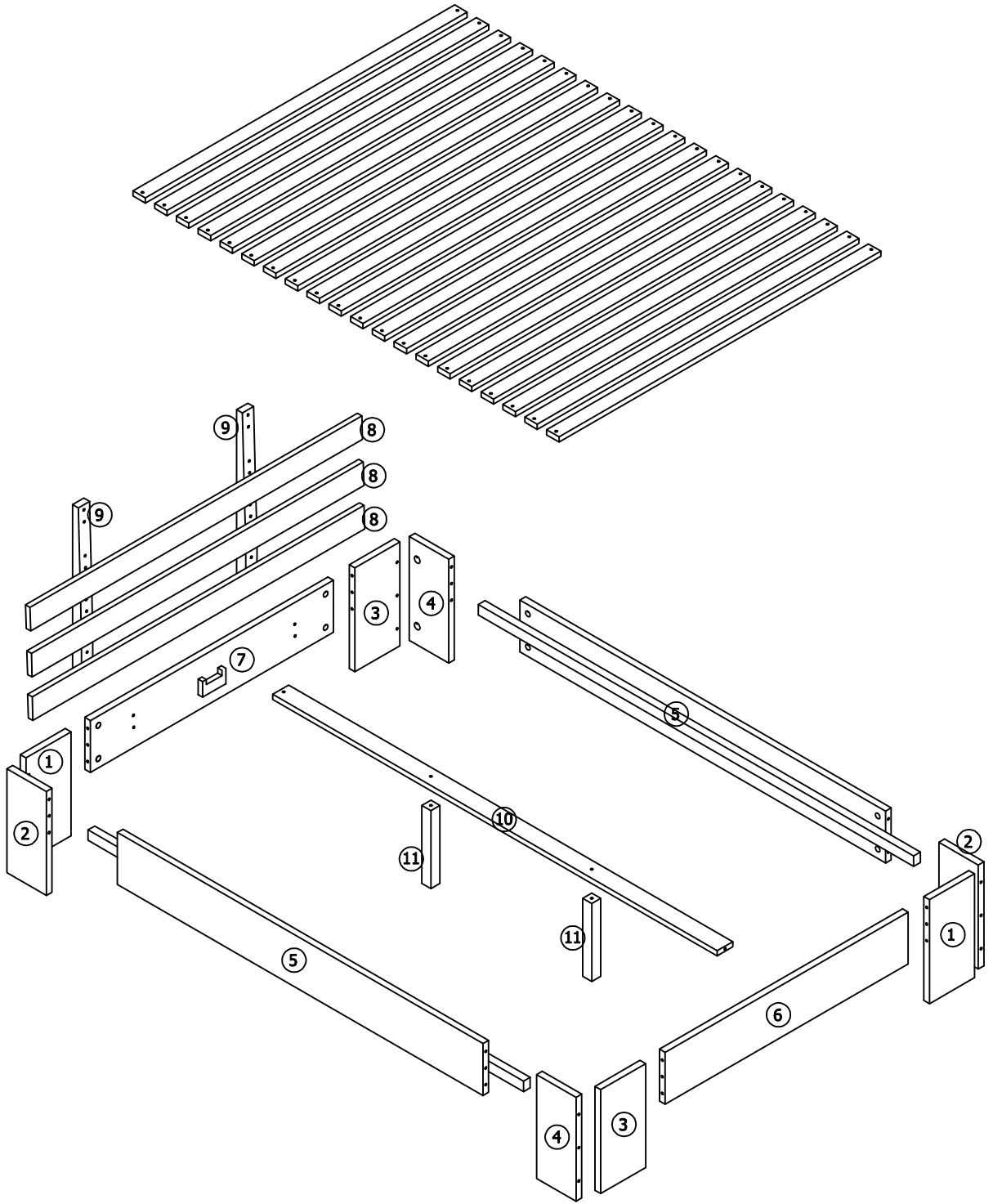


ALPERA

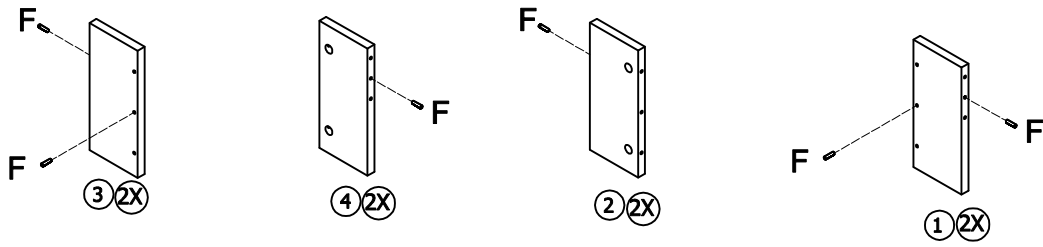



A	 M6x50mm	24
B		24
C	 15mm Ø6x50mm	16
D	 10mm Ø7x60mm	02
E	 15mm Ø6x20mm	04

F	 Ø8x30mm	12
G		01
H	 8mm Ø4.5x30mm	38
I		02

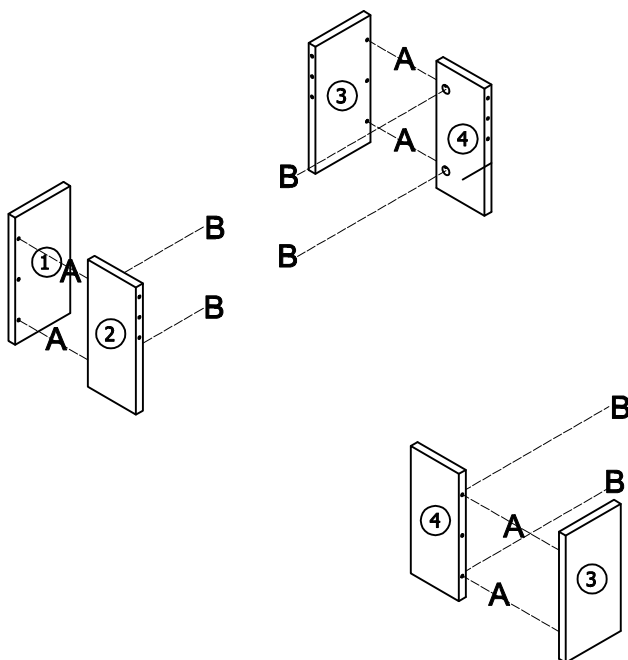
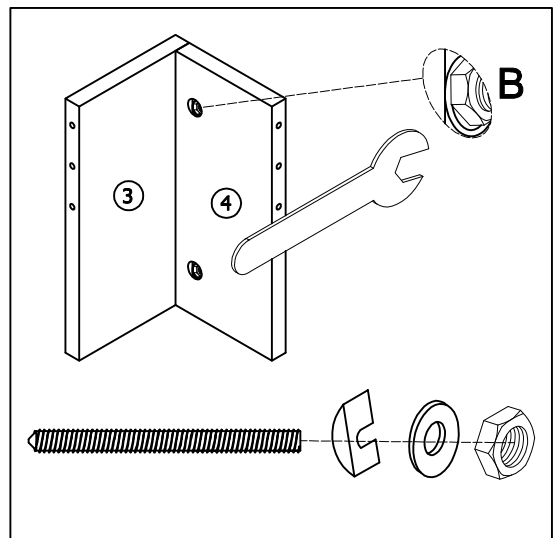
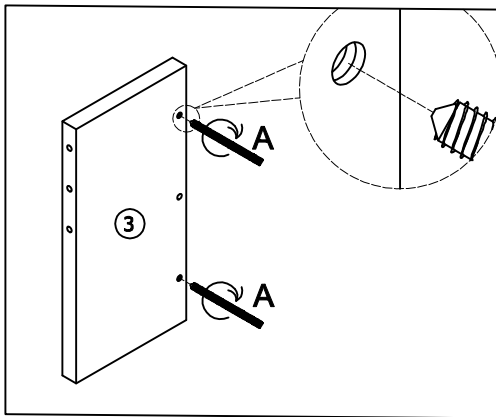






01



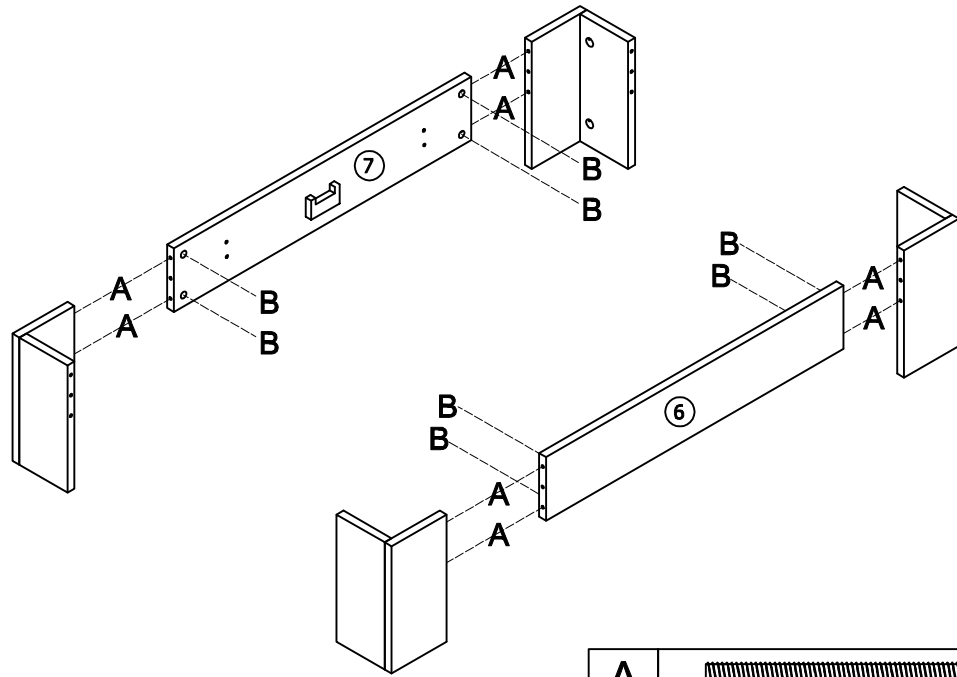
F	 Ø8x30mm	12
---	--	----





02



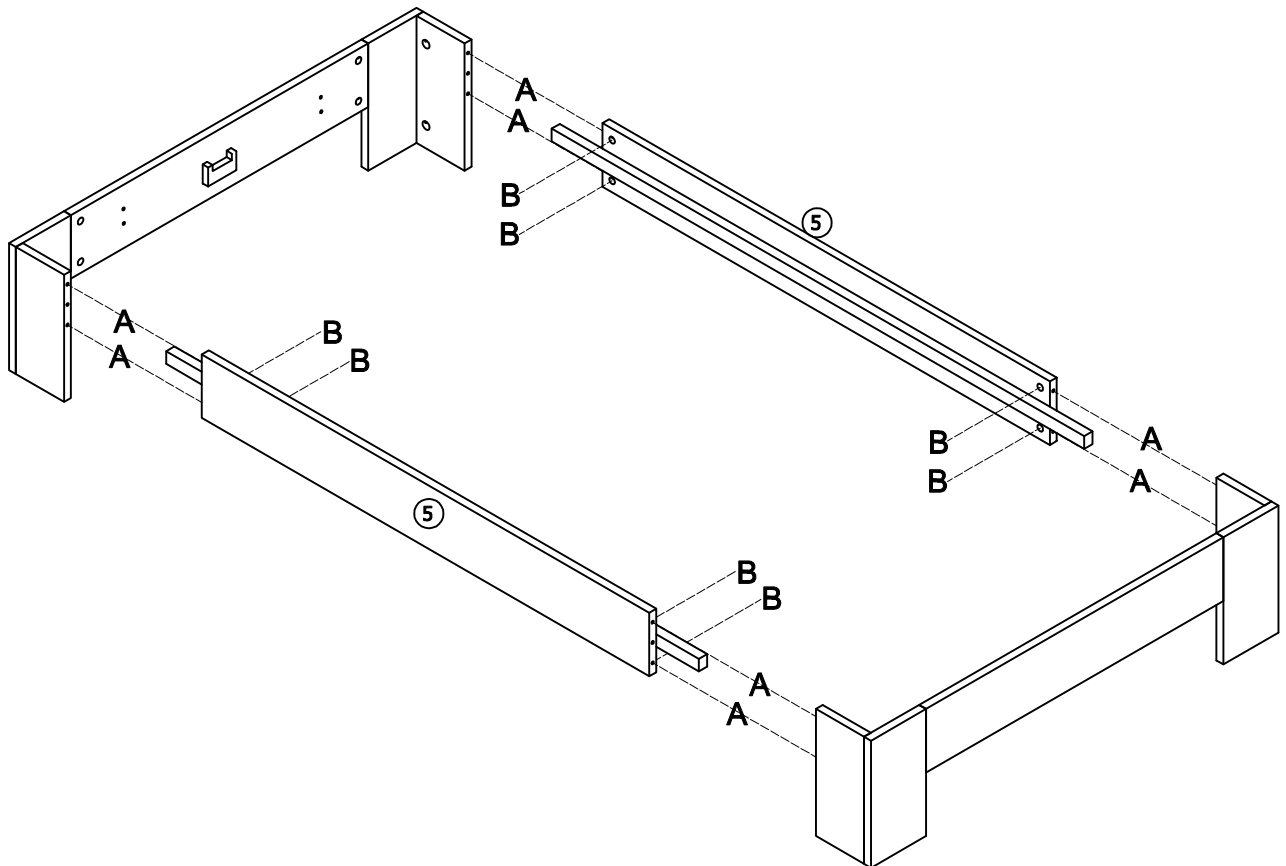
A	 M6x50mm	08
B	  	08

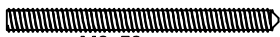



03



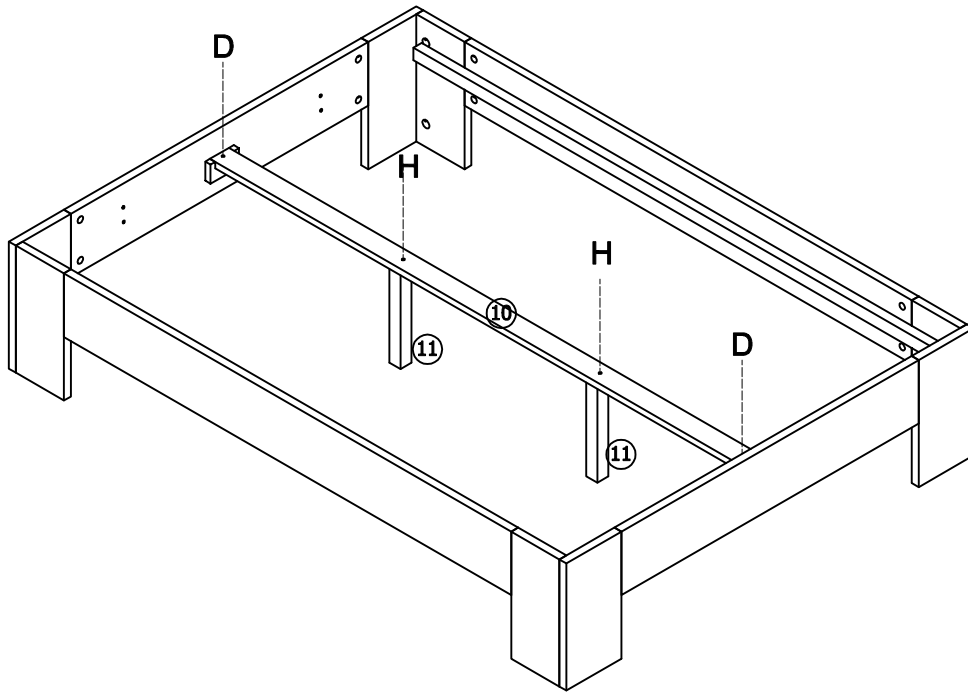
A	 M6x50mm	08
B	  	08




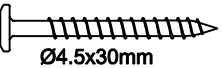
04



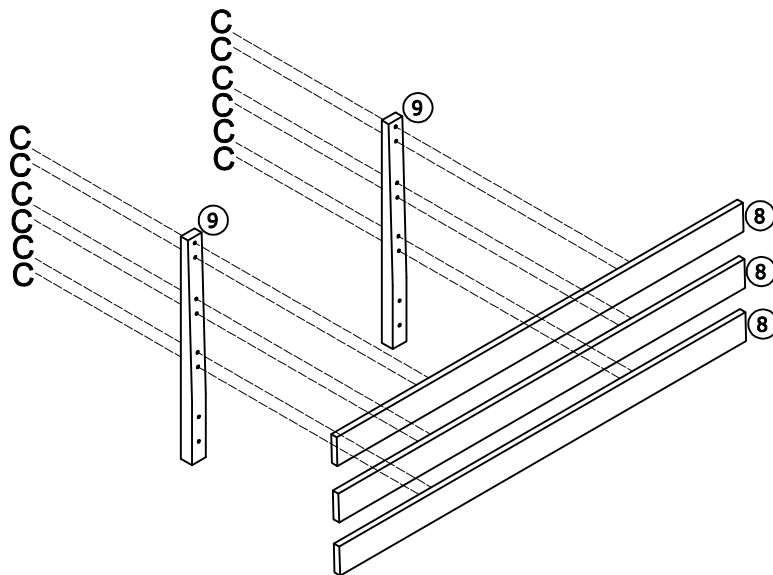
A	 M6x50mm	08
B	  	08



05



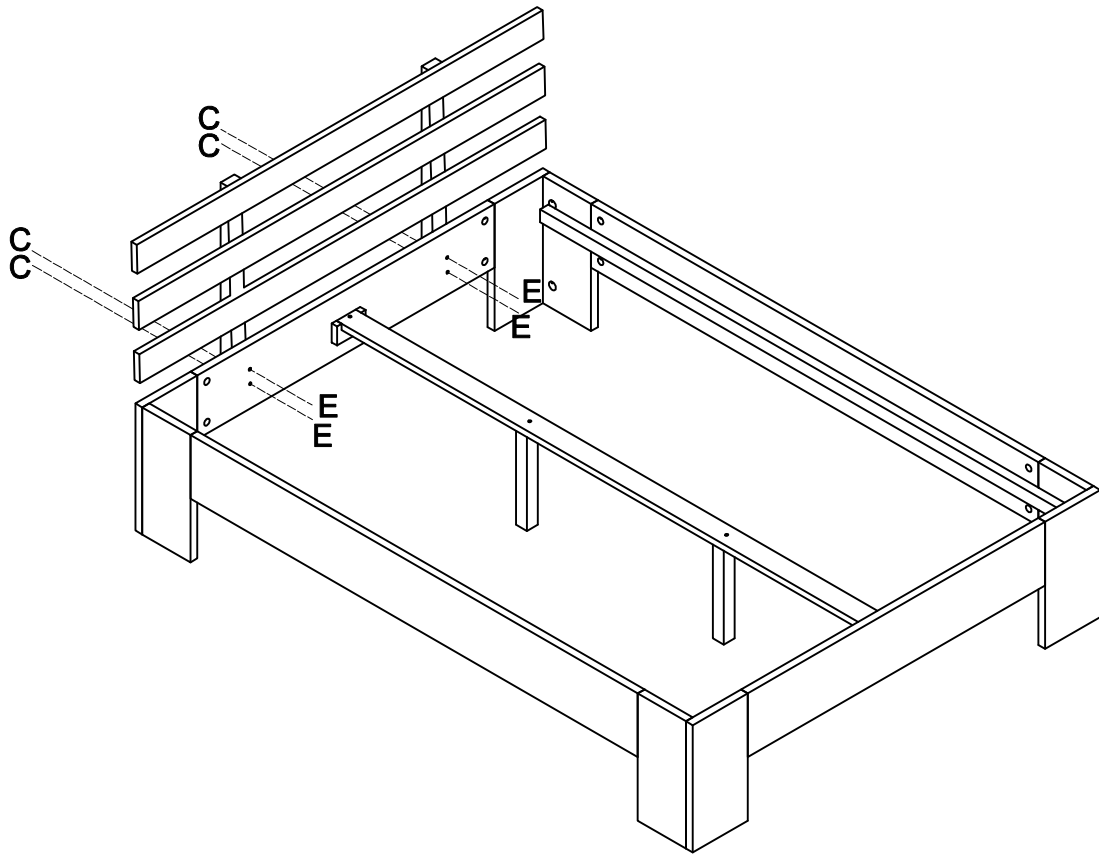
D	 10mm	 Ø7x60mm	02
H	 8mm	 Ø4.5x30mm	02




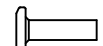
06



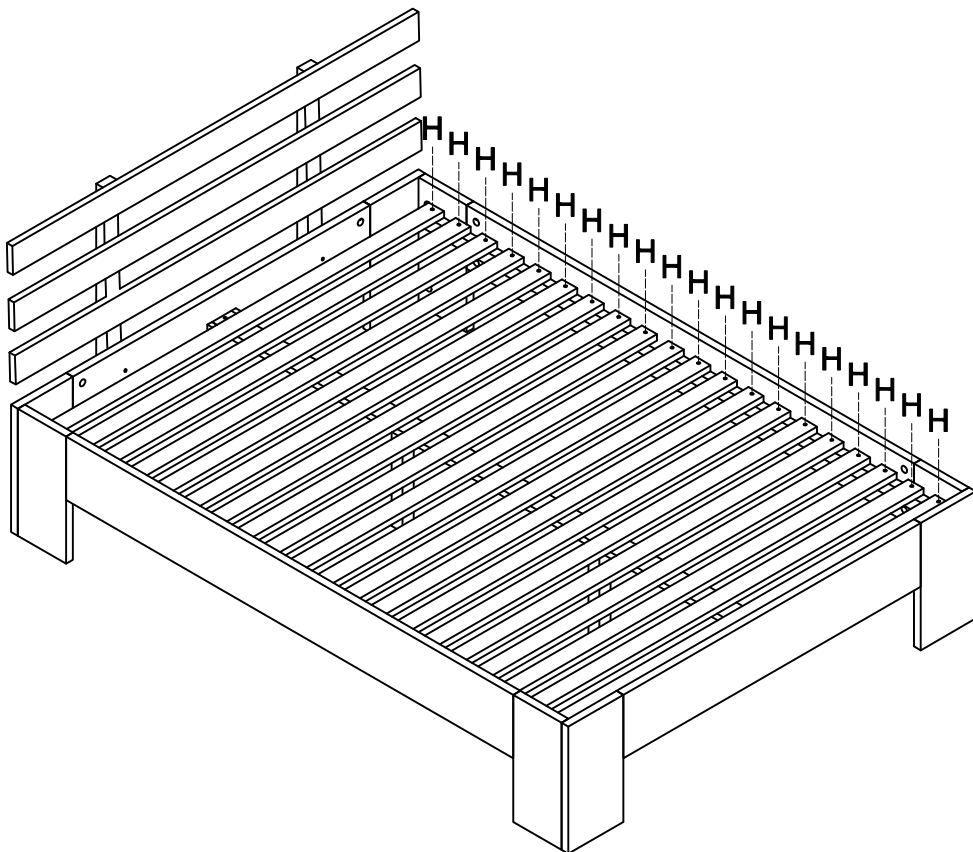
C	 15mm	 Ø6x50mm	12
---	---	--	----


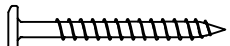
07



C	 15mm	 Ø6x50mm	04
E	 15mm	 Ø6x20mm	04

08



H	 8mm	 Ø4.5x30mm	36
---	---	---	----