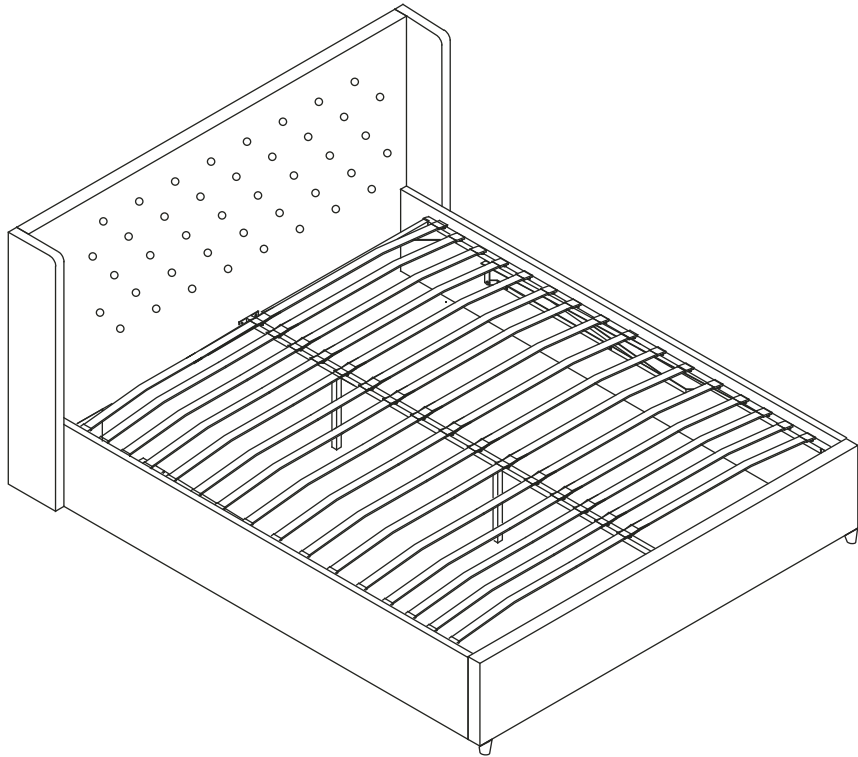
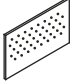
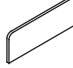
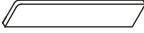



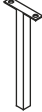

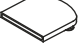
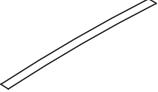




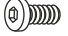










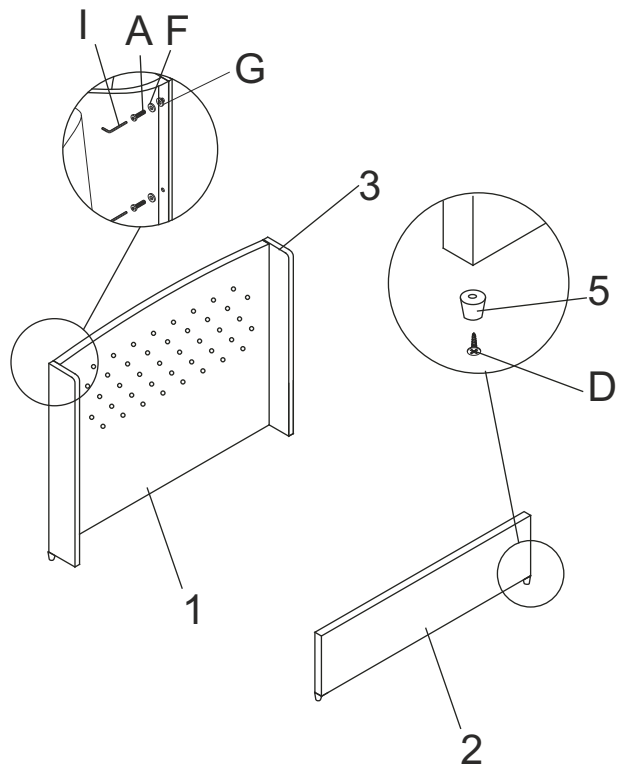


# JOSIE 160x200



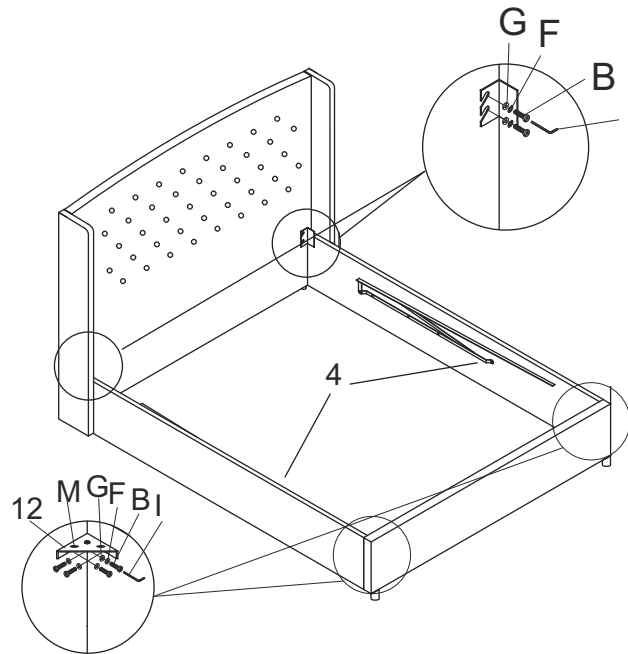
1x1 	2x1 	3x2 	4x2 	5x4 
6x1 	7x2 	8x16 	9x32 	10x32 
11x1 	12x6 			
Ax6  M8x65mm	Bx16  M8x30mm	Cx30  M8x40mm	Dx4 	Ex30 
Fx22 	Gx22 	Hx1 	Ix1 	Jx1 
Kx1 	Lx4 	Mx4 		

1



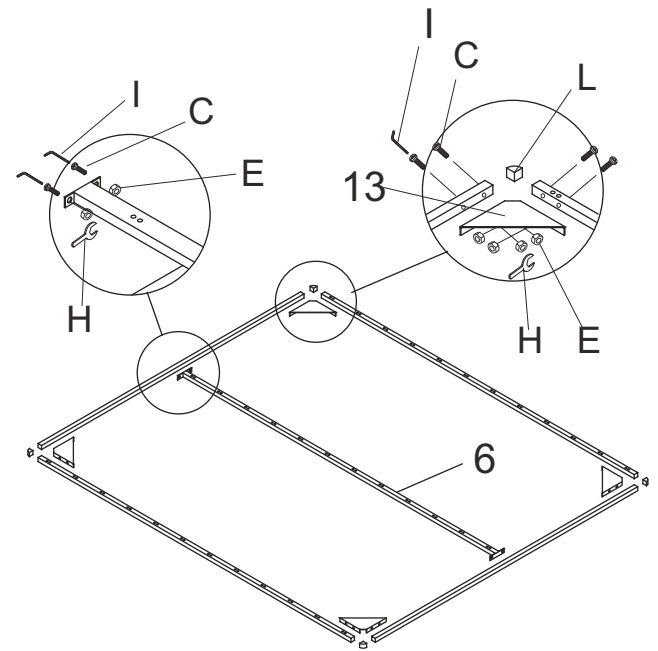
Ax6 M8x65mm	Dx4	Fx6	Gx6	Ix1
----------------	-----	-----	-----	-----

2



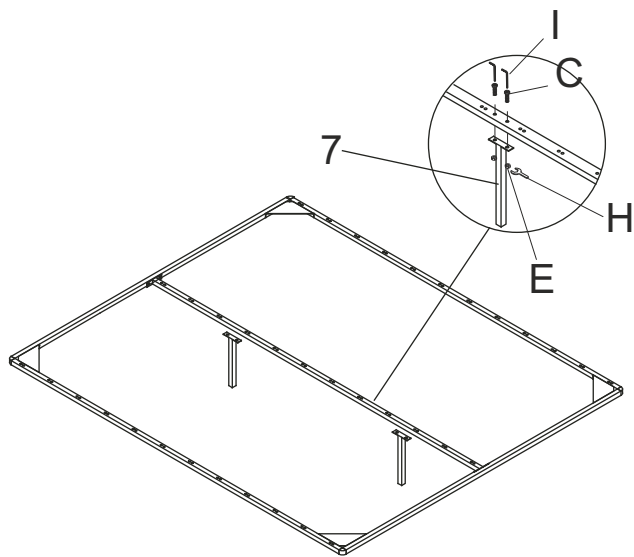
Bx16 M8x30mm	Fx16	Gx16	Ix1	Mx4
-----------------	------	------	-----	-----

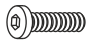
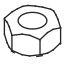


3



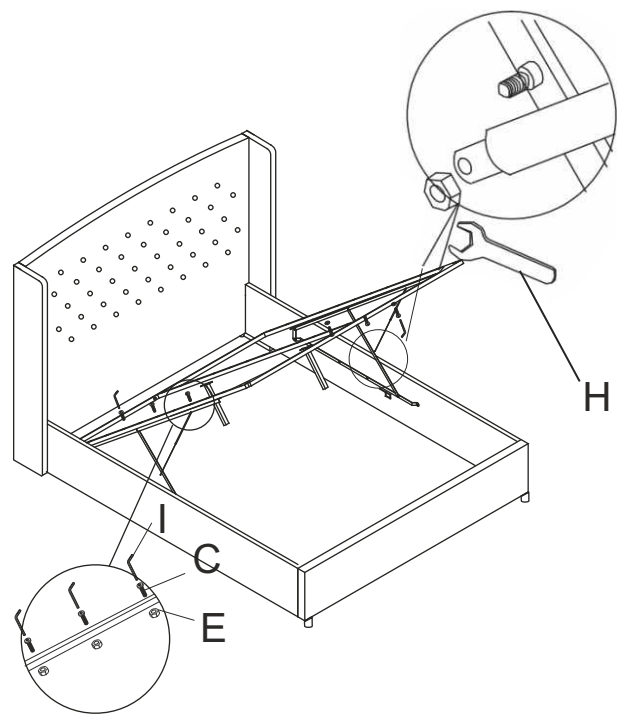
Cx20 M8x40mm	Ex20	Hx1	Ix1	Lx4
-----------------	------	-----	-----	-----


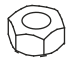


4



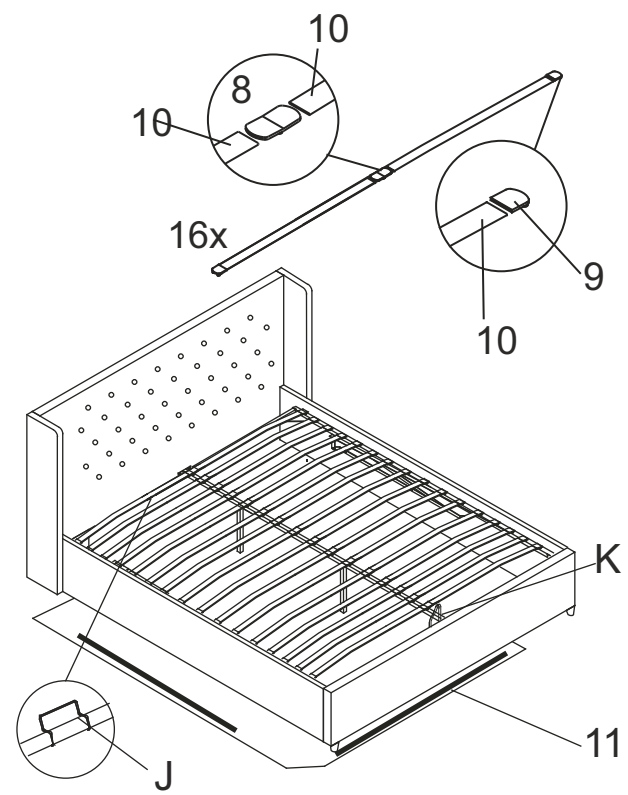
Cx4	Ex4	Hx1	Ix1	
				
M8x40mm				

5



Cx6	Ex6	Hx1	Ix1	
				
M8x40mm				

6



Jx1	Kx1	8x16	9x32	10x32
