


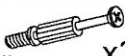



NR 1

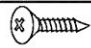
(B1)  ϕ 8x28 x40


(B2)  ϕ 10x28 x12


(M1)  ϕ 15x12mm x36

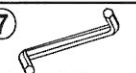
(T1)  5x39mm x36

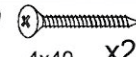
(F12)  x2


(S8)  4x16 mm x8

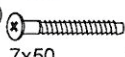
(G6)  x4


(G17)  M6x80 x4

(G7)  x1


(S14)  4x40 x24

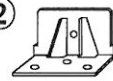
(C14)  ϕ 20mm x16


(K1)  7x50 x8

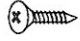
(L1)  x1

NR 2

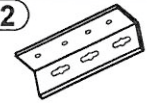
(F1)  x2

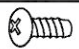
(F2)  x2

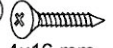
(E3)  6x11 x8

(S8)  4x16 x6


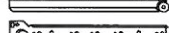

NR 3


(J2)  x4


(E5)  6,3x13 x12


(S8)  4x16 mm x16

NR 4

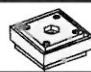
(R25) L-550 mm



 x2L/2R


(E2)  6,0x11 x16

(P3)  3x13mm x12

(S3)  3,5x13 x4

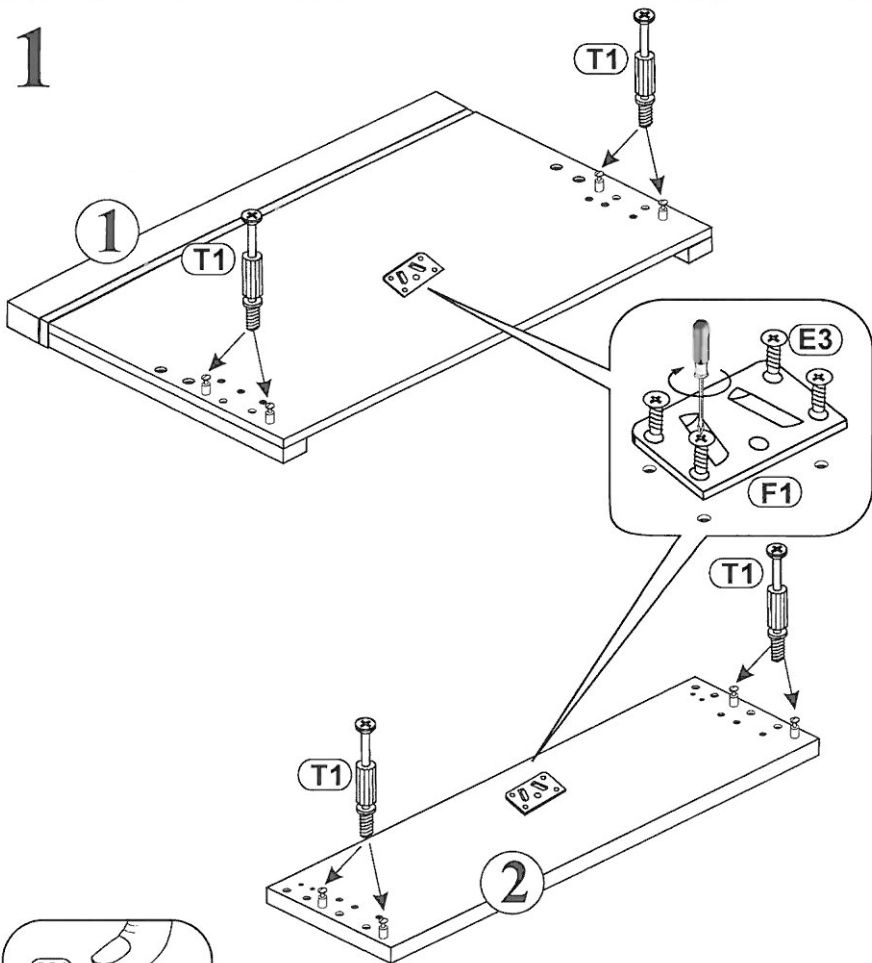
NR 5





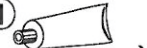


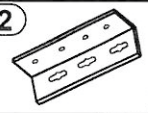
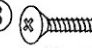
(N20)  x2

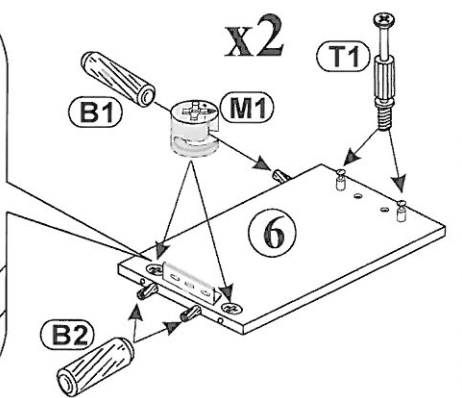
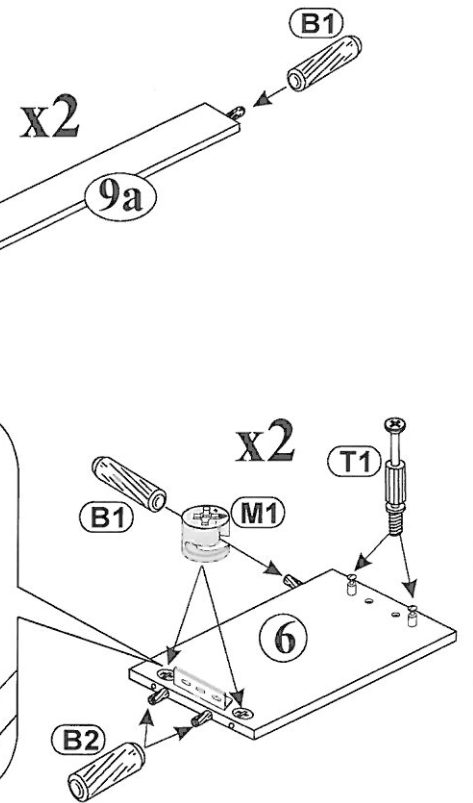
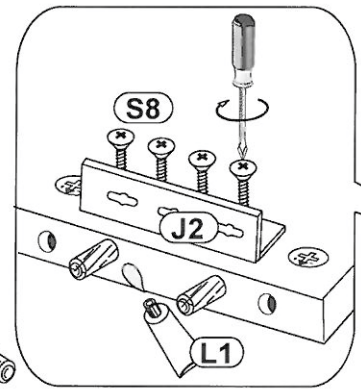
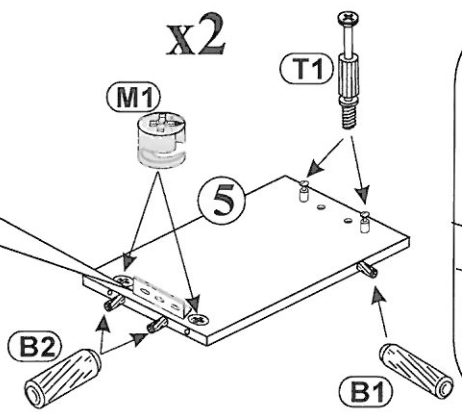
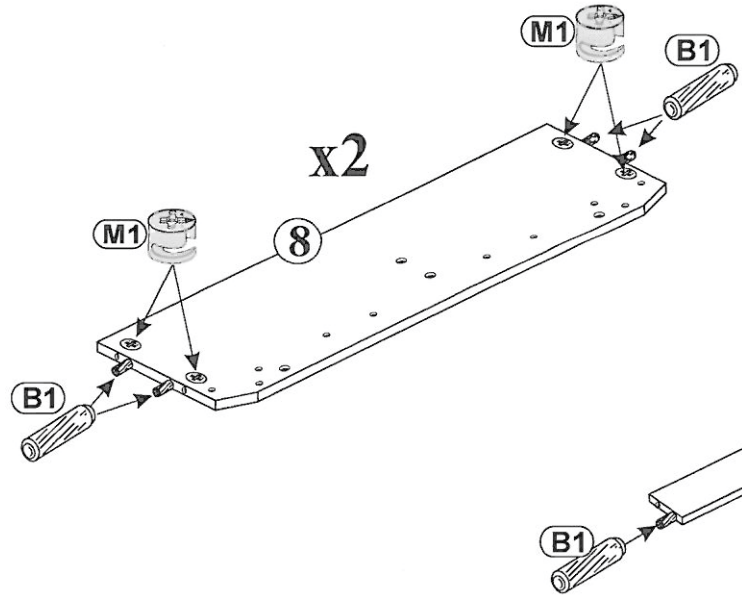
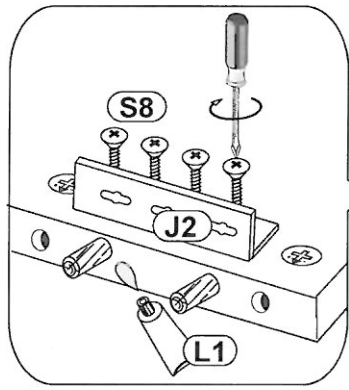
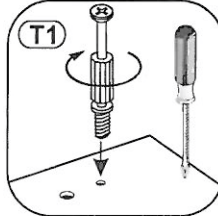
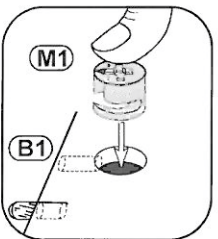
(S2)  4x30 x6



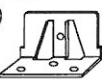
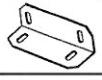

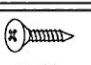
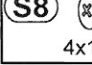
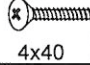
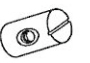
1

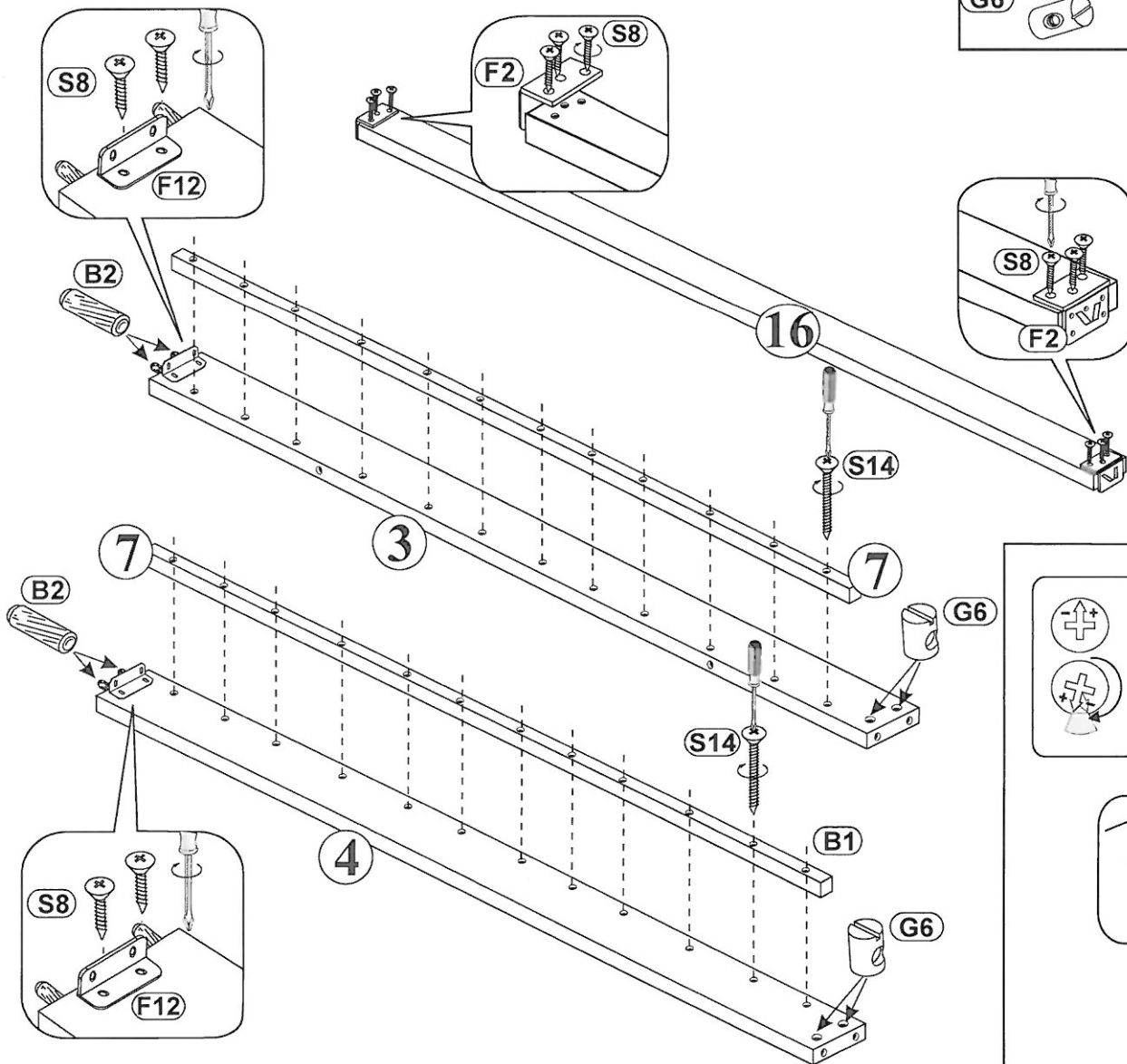


F1		x2	T1		5x39mm	x16
E3		x8	B1		φ 8x28	x16
L1		x1	B2		φ 10x28	x8
M1		x16	J2			x4
S8					4x16 mm	x16

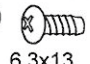
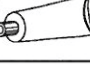


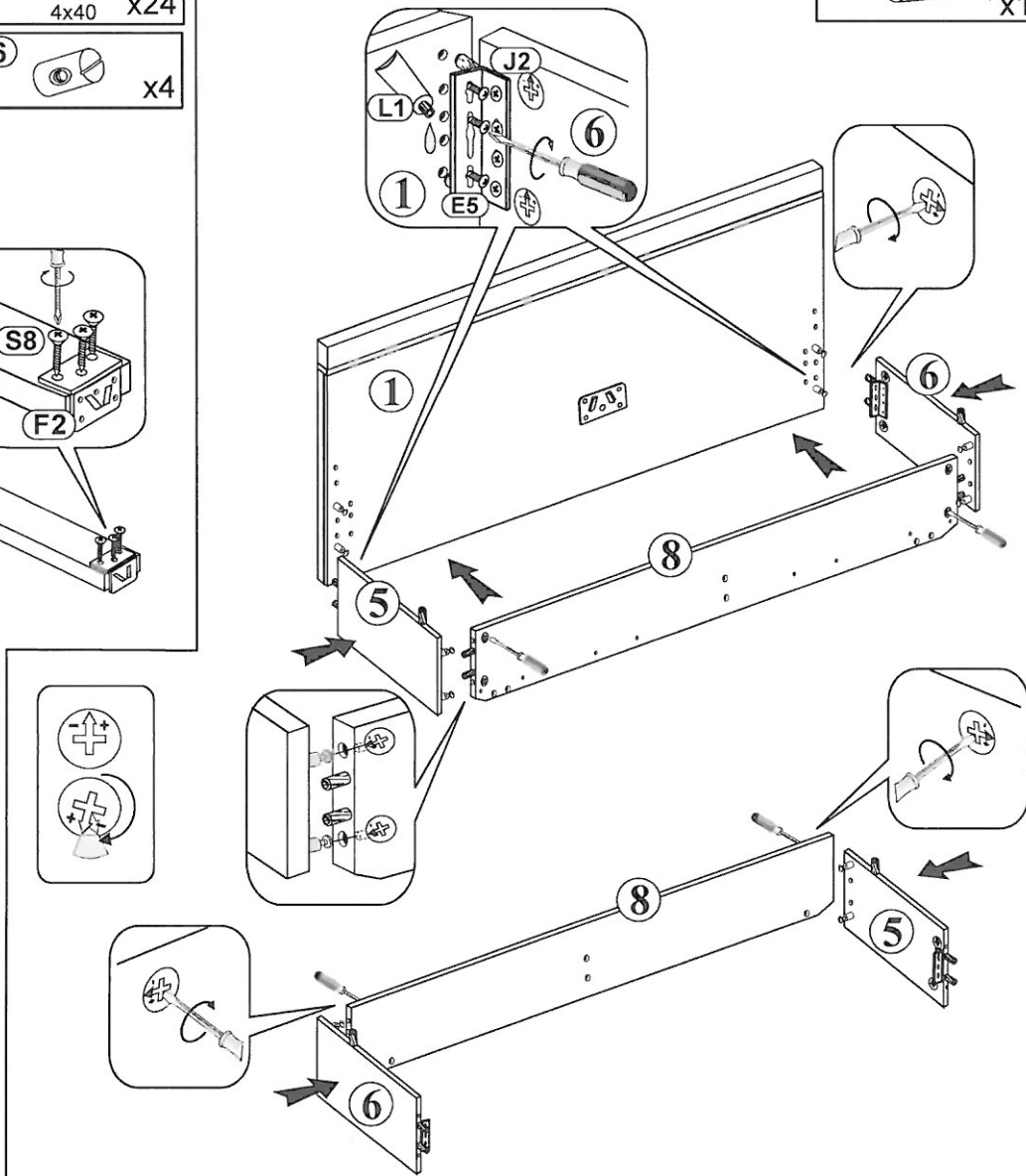
2

- F2**  x2
- F12**  x2
- B2**  ϕ 10x28 X4
- S8**  4x16 X6
- S8**  4x16 mm X4
- S14**  4x40 X24
- G6**  x4

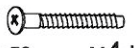
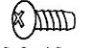
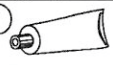


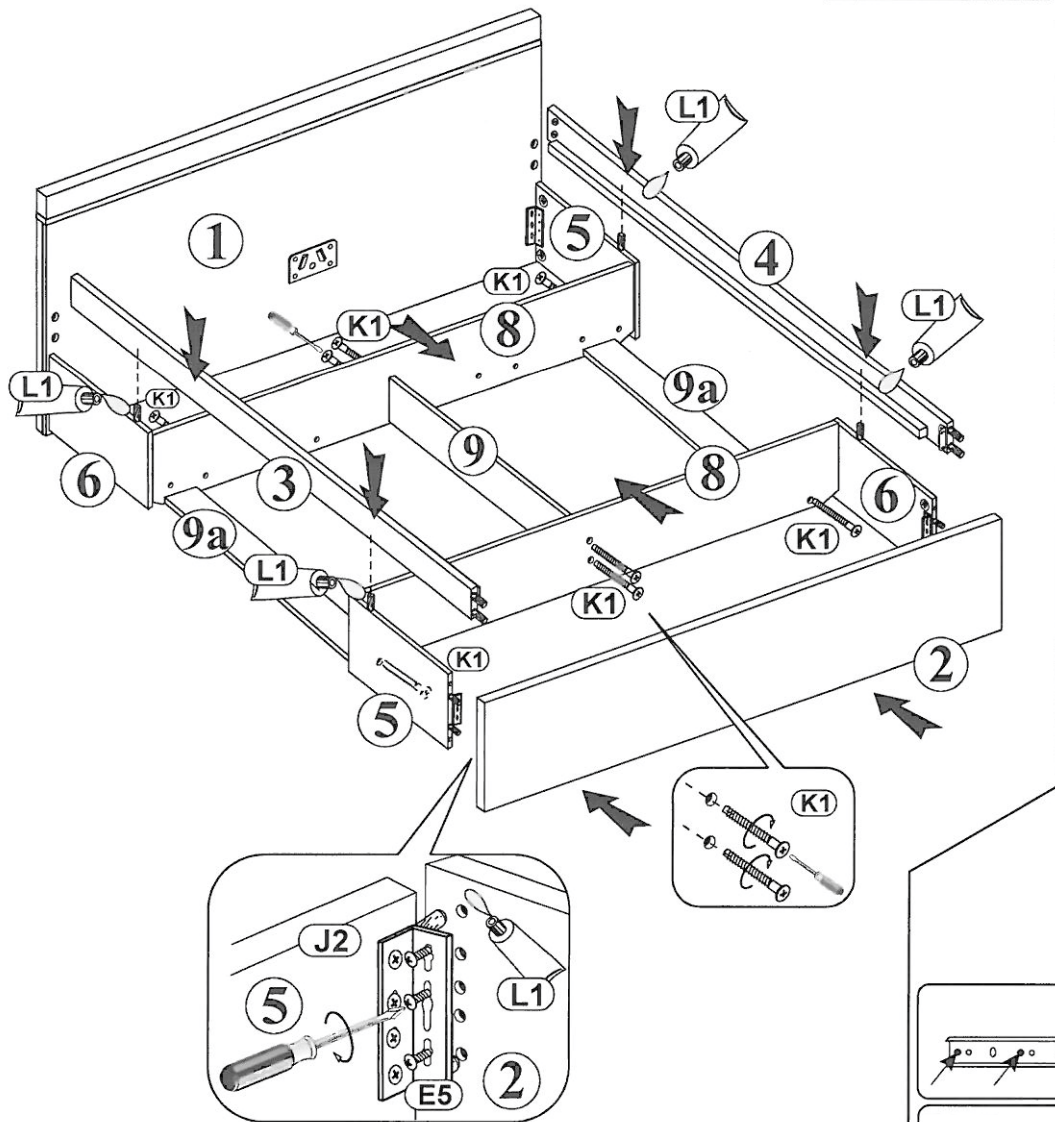
3

- E5**  6,3x13 X6
- L1**  x1

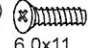
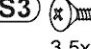
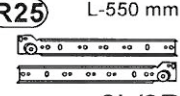

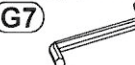
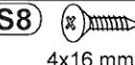


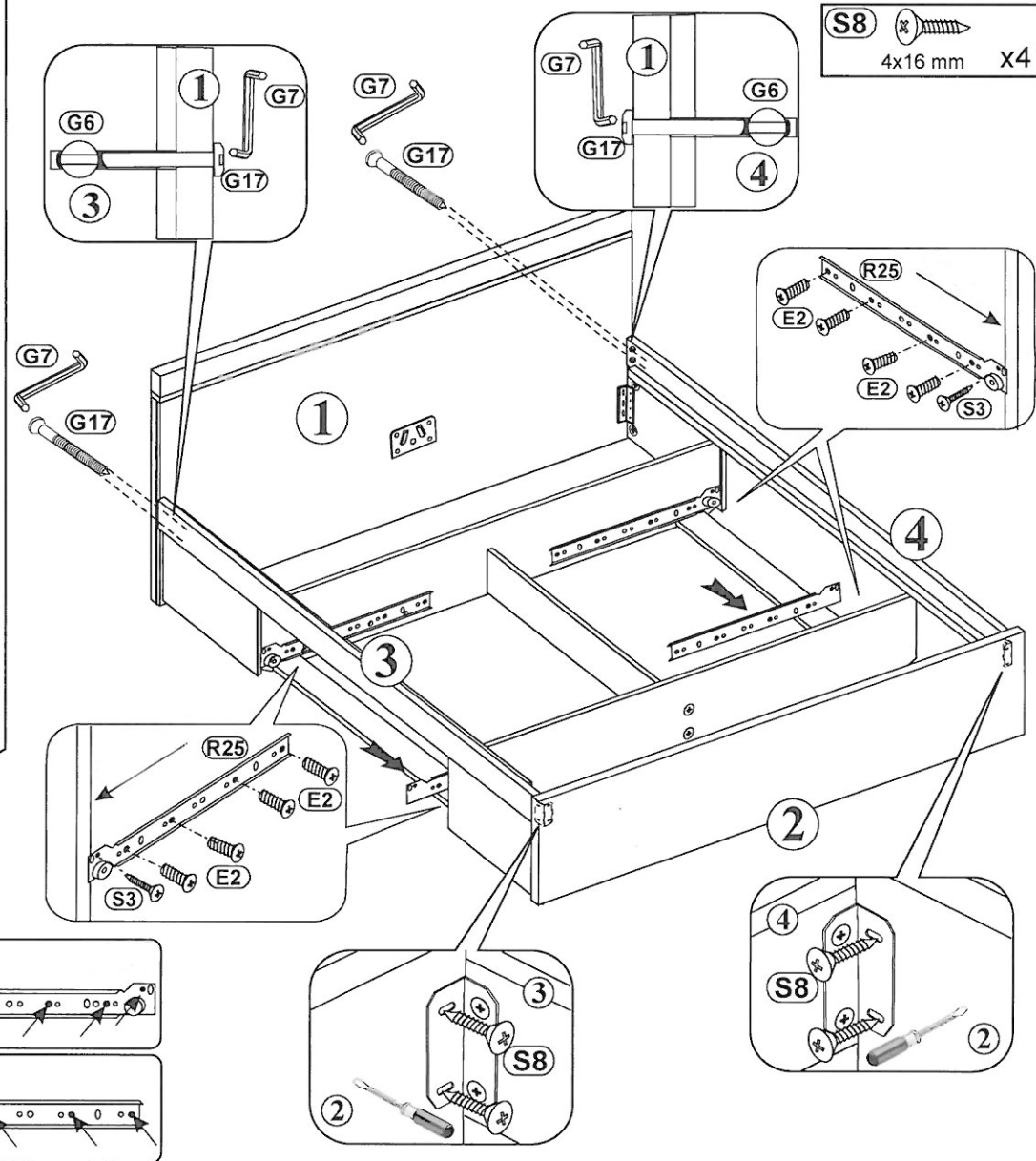
4

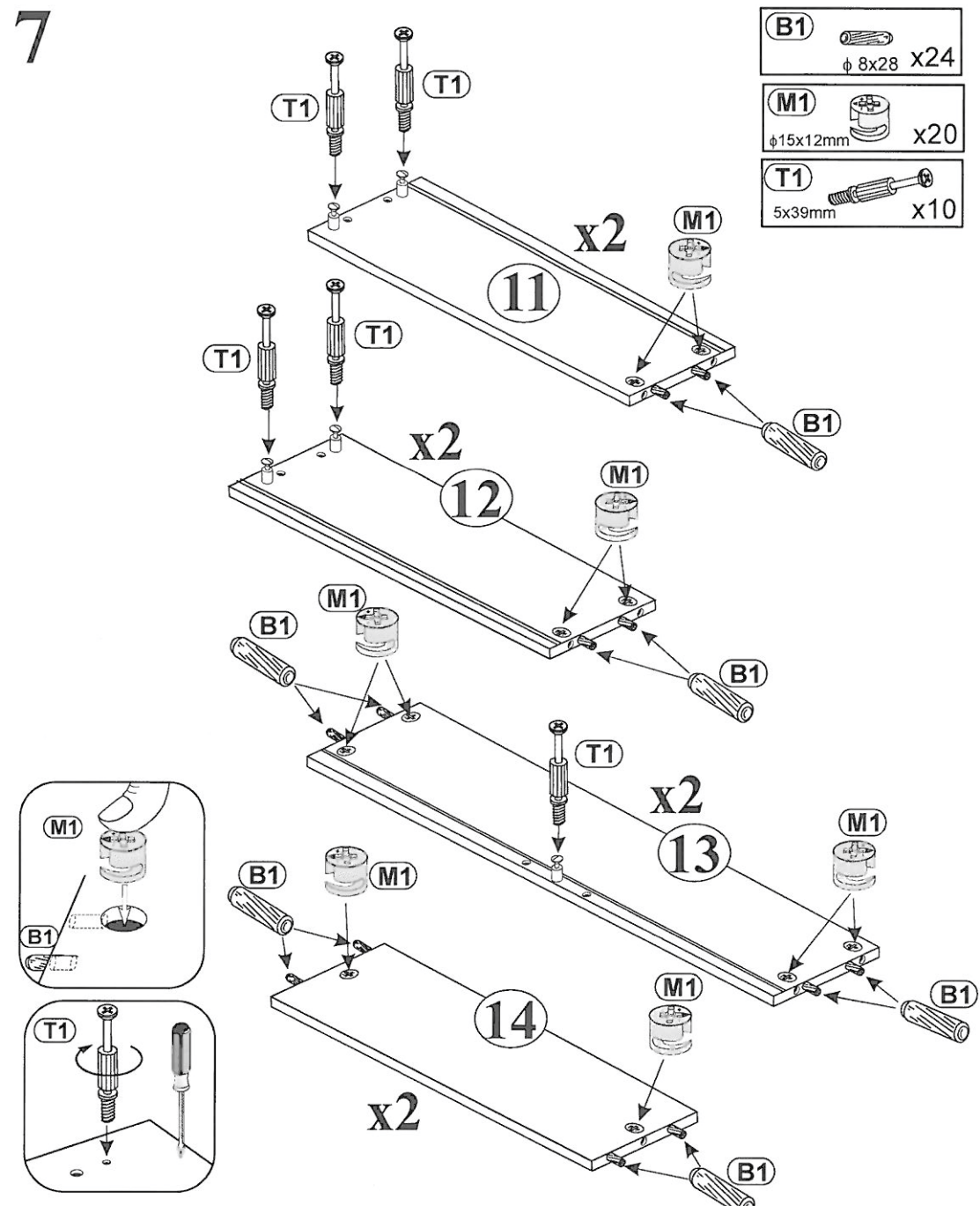
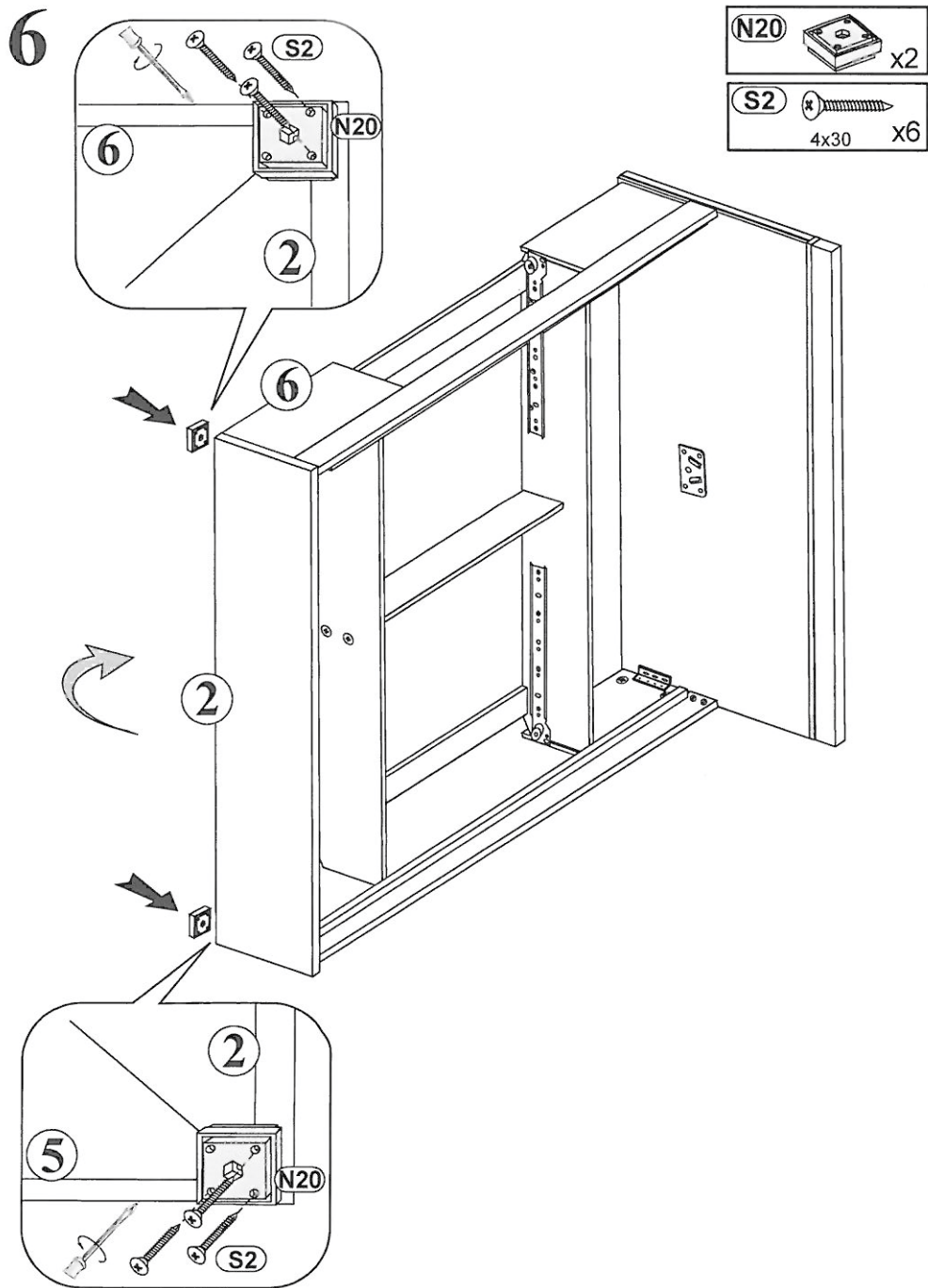
- (K1)**  7x50 x4+4
- (E5)**  6,3x13 x6
- (L1)**  x1



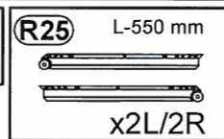
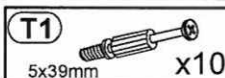
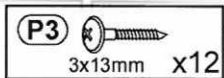
5

- (E2)**  6,0x11 x16
- (S3)**  3,5x13 x4
- (R25)** L-550 mm  x2L/2R
- (G17)**  M6x80 x4
- (G7)**  x1
- (S8)**  4x16 mm x4





8



9

