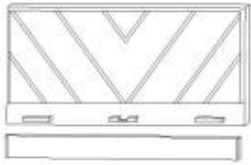



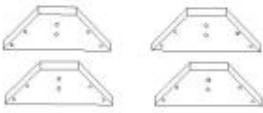
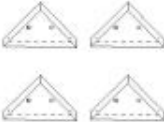
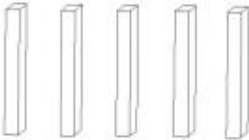
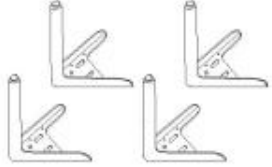
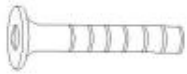

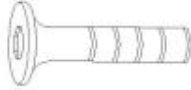



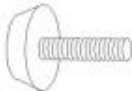



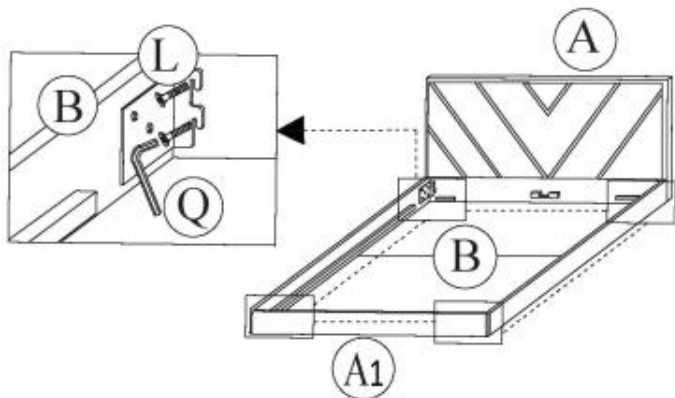


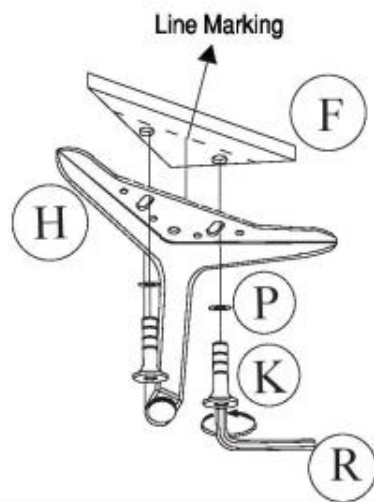
# MARGARITA

<b>A&amp;A1</b> 	<b>B</b> 	<b>C</b> 	<b>D</b> 
<b>Headboard &amp; Footboard</b>	<b>Side Rail</b>	<b>Center Rail</b>	<b>Slat</b>
<b>E</b> 	<b>F</b> 	<b>G</b> 	<b>H</b> 
<b>Corner Bar</b>	<b>Bed Leg Corner Block</b>	<b>Center Support Leg</b>	<b>Bed Leg</b>
<b>I</b>  <b>X16</b> <b>JCBC M6 X 50 MM</b>	<b>J</b>  <b>X5</b> <b>JCBC M6 X 60 MM</b>	<b>K</b>  <b>X10</b> <b>JCBC M6 X 30 MM</b>	<b>L</b>  <b>X8</b> <b>JCBB M8 X 16 MM</b>
<b>M</b>  <b>X26</b> <b>CSK M4 X 30 MM</b>	<b>N</b>  <b>X16</b> <b>CSK M4 X 38 MM</b>	<b>O</b>  <b>X5</b> <b>Adjuster Screw</b>	<b>P</b>  <b>X24</b> <b>Flat Washer M6</b>
<b>Q</b>  <b>X1</b> <b>Allen Key M5</b>	<b>R</b>  <b>X1</b> <b>Allen Key M4</b>		

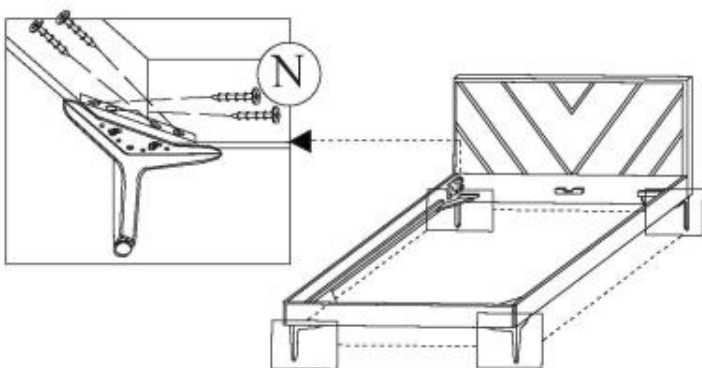
1



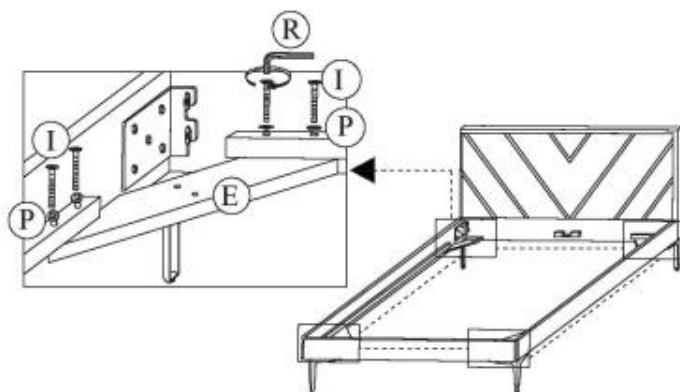
2



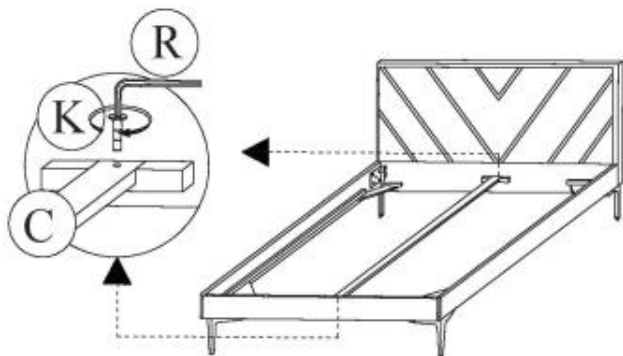
3



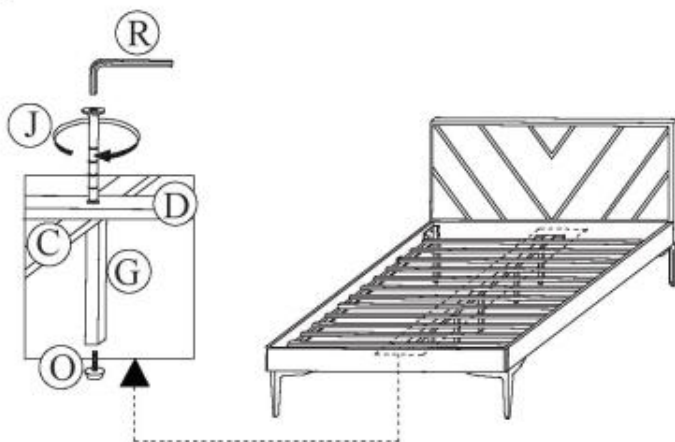
4



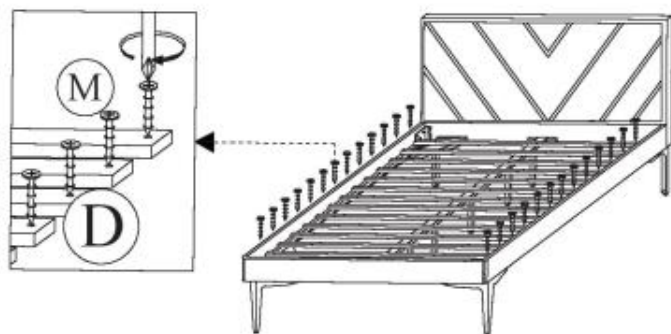
5



6



7



HALMAR SP.z o. o.

ul. Centralnego Okręgu Przemysłowego 2, 37-450 Stalowa Wola, POLSKA / POLAND

tel.+48 15 843 28 10, fax:+48 15 842 19 57, e-mail: office@halmar.com.pl

NOWOŚĆ