
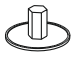
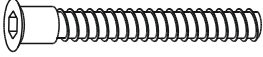






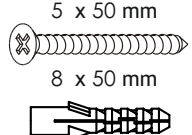
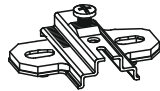

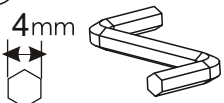

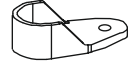
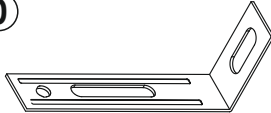
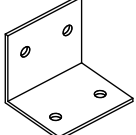
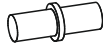
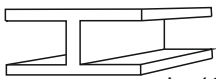

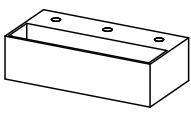

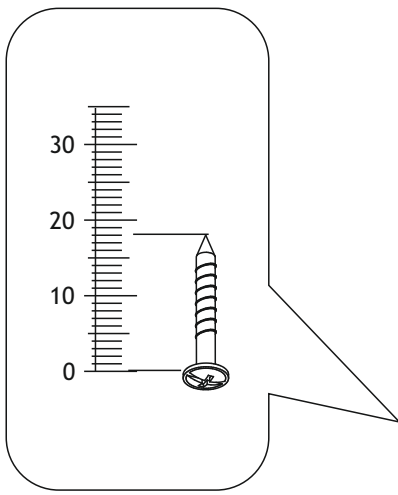
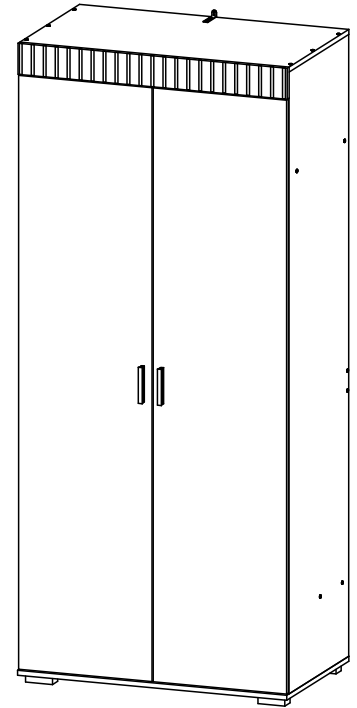
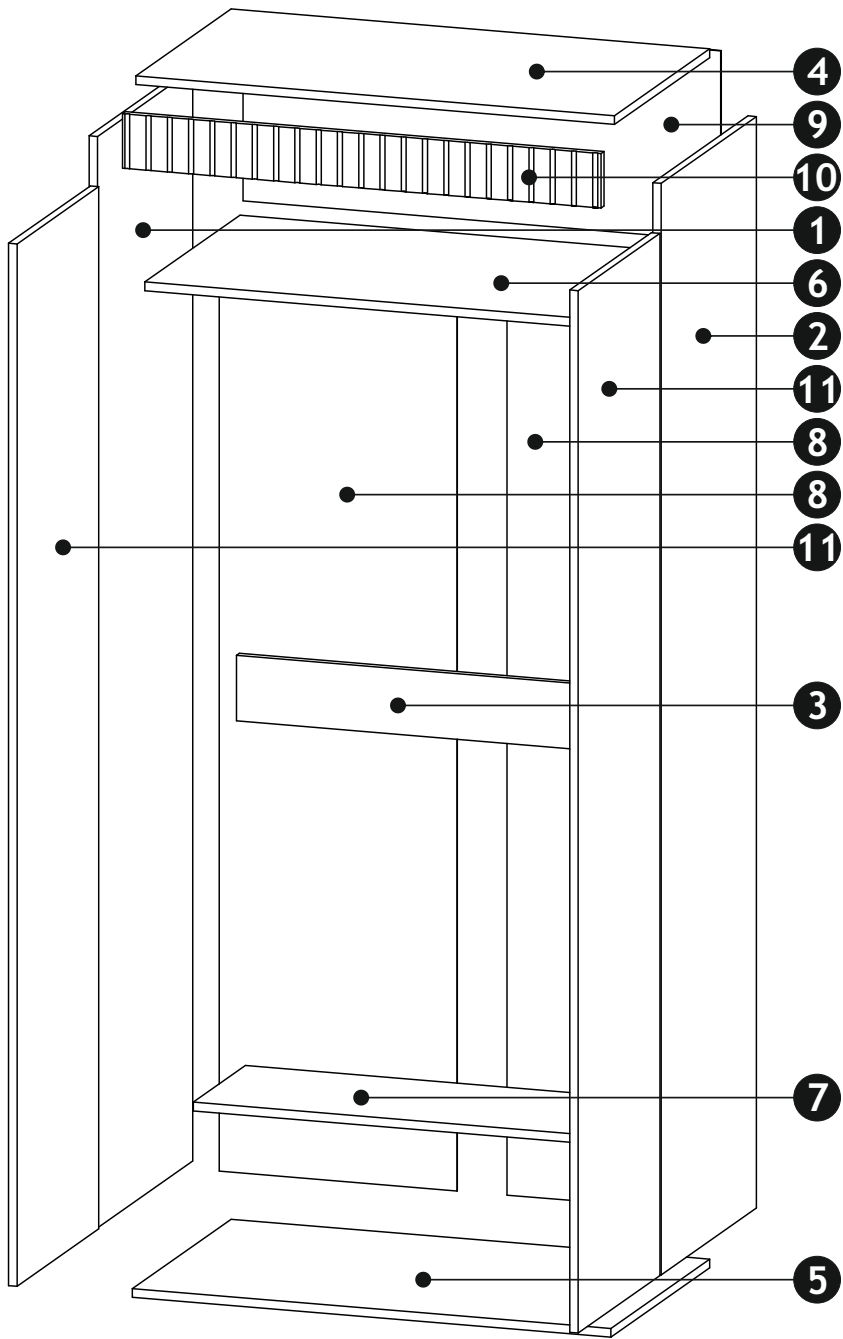



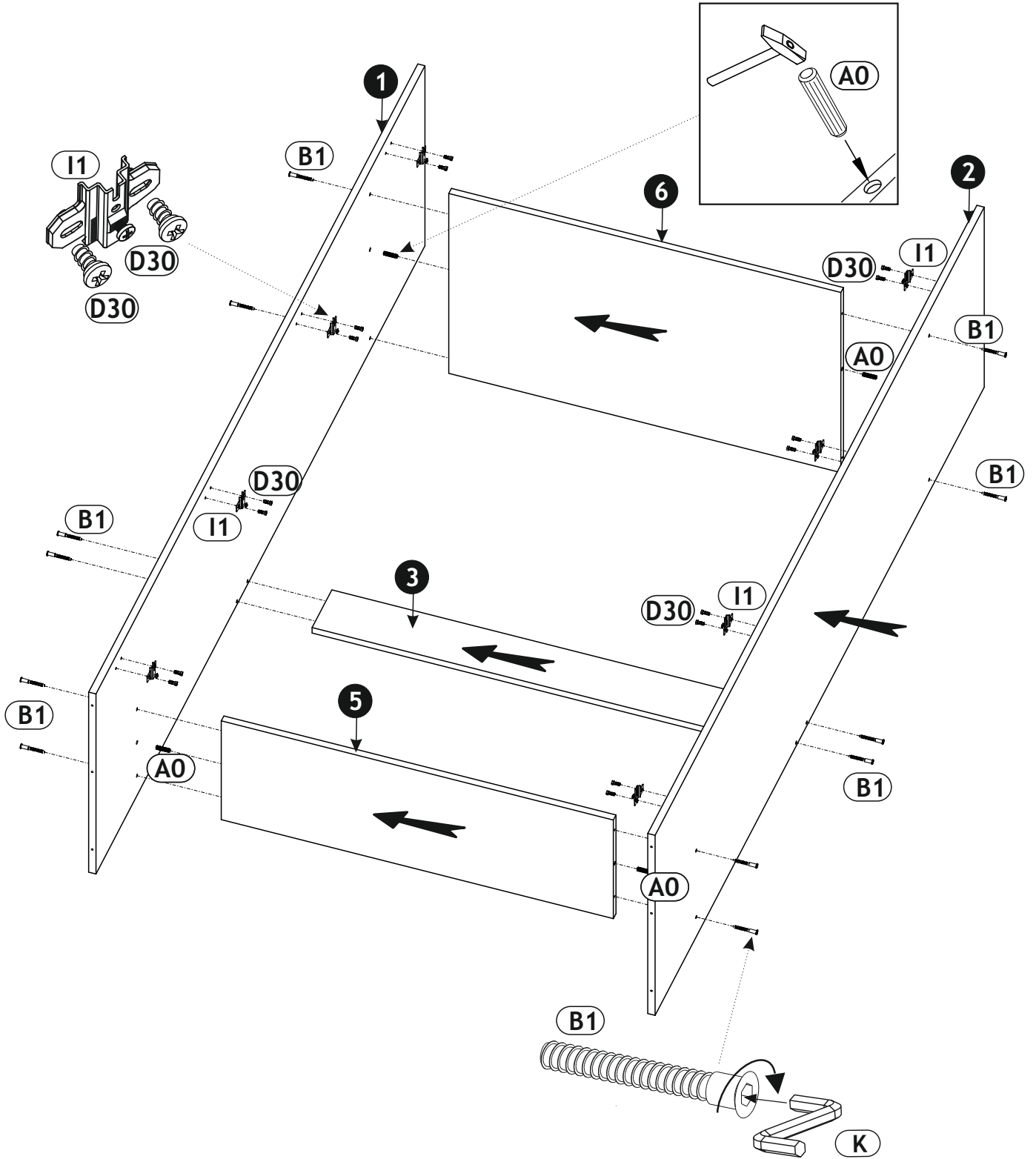
(A0) 8 x 32mm x4 	(B0) x12 	(B1) f 7 x 50 mm x24 
(D0) 3 x 15 mm x10 	(D5) 3,5 x 16 mm x4 	(D10) 4 x 16 mm x16 
(D14) 4 x 35 mm x12 	(D16) 4,2 x 28 mm x4 	(D30) EURO 6,3 x 13 mm x16 
(E0) 5 x 50 mm x1 8 x 50 mm 	(I1) x8 	(I3) d 26mm x8 
(K) x1 4mm 	(L18) x2 	(O3) x2 
(P0) x1 	(P19) x2 	(Q0) x2 
(R5) x1  L- 1658mm.	(S0) L-858 x1  0	(T2) x4 
(T8) x80 		



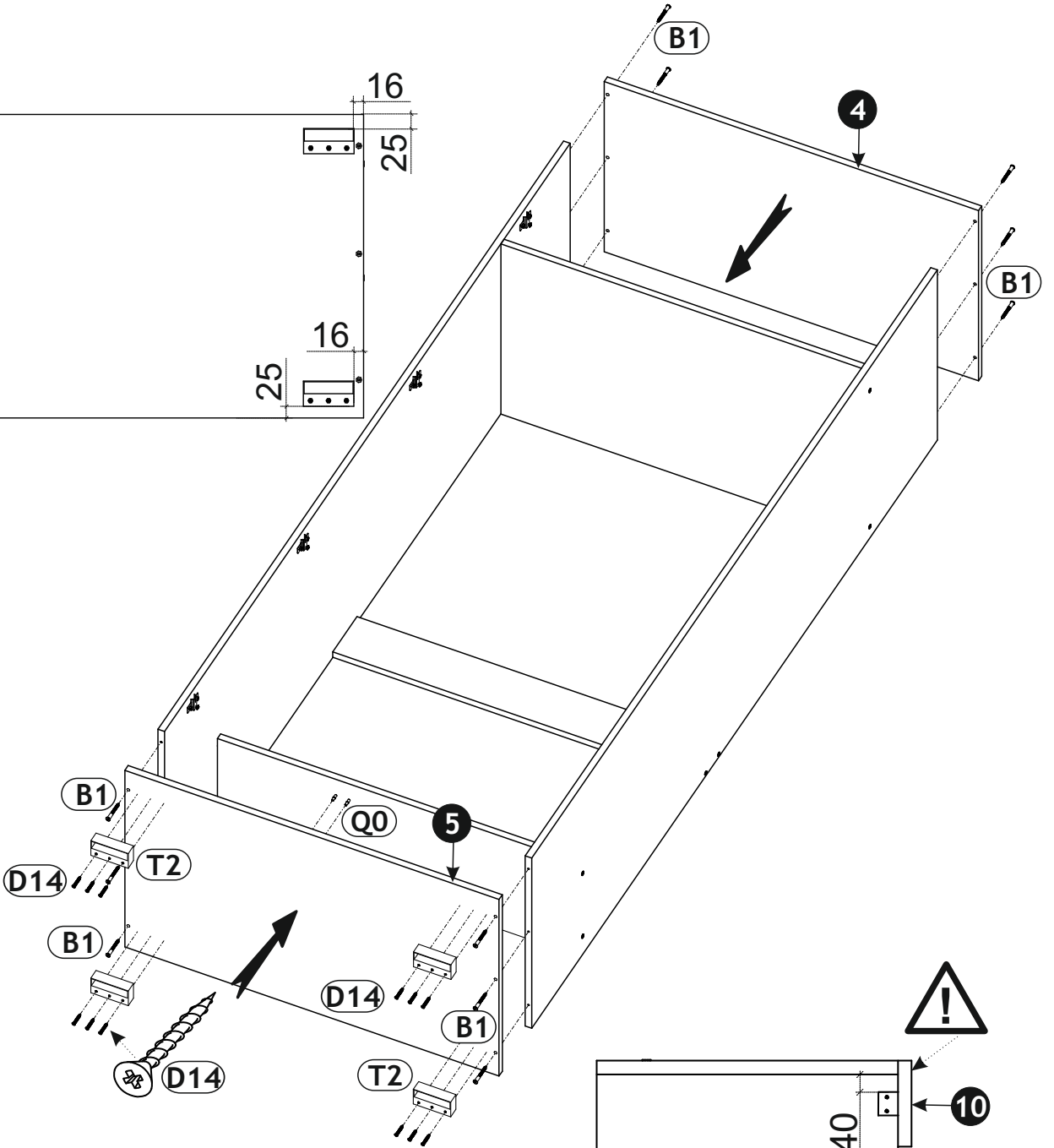
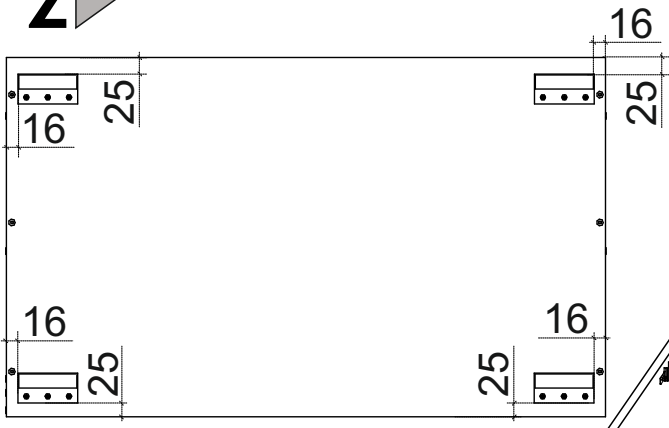


1	2000	520	16	x1	1/2
2	2000	520	16	x1	1/2
3	867	120	16	x1	1/2
4	900	520	16	x1	1/2
5	900	540	16	x1	1/2
6	867	520	16	x1	1/2
7	867	285	16	x1	1/2
8	1680	447	2,5	x2	1/2
9	896	348	2,5	x1	1/2
10	900	100	16	x1	1/2
11	1910	446	16	x2	2/2
					1/2

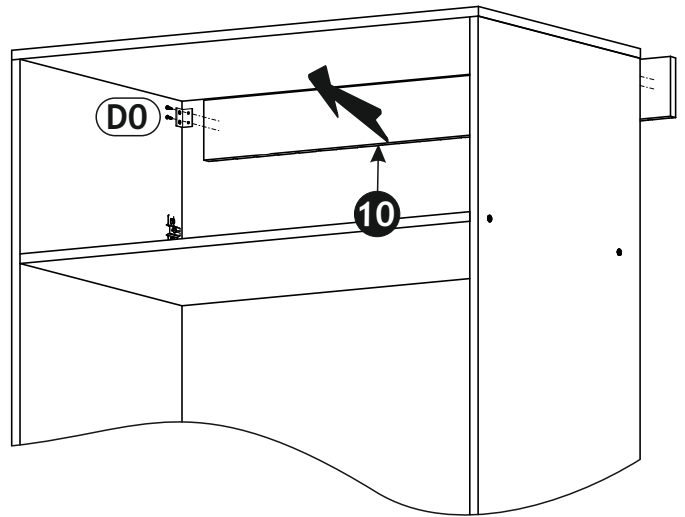
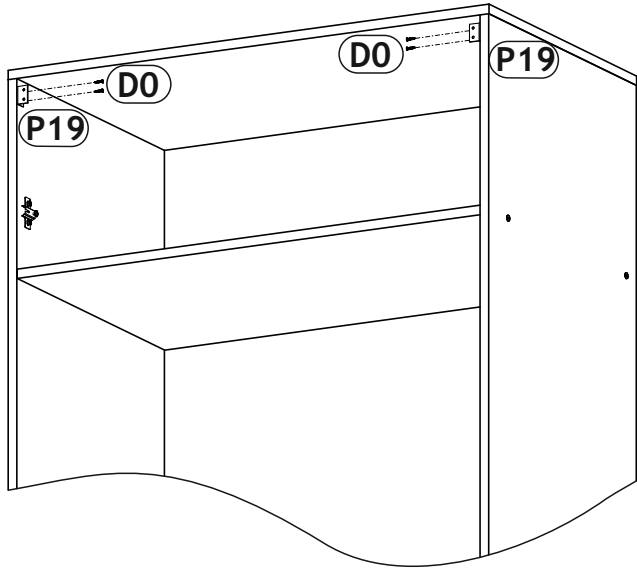
1 ▶



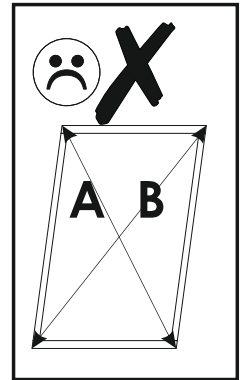
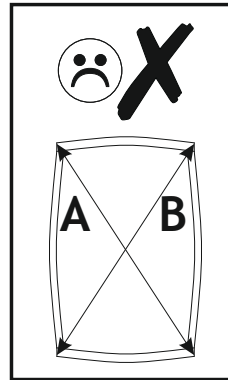
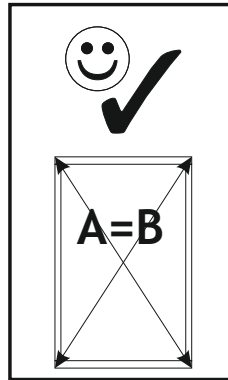
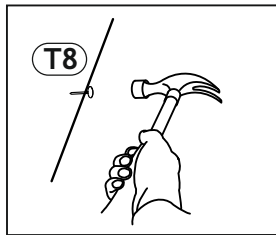
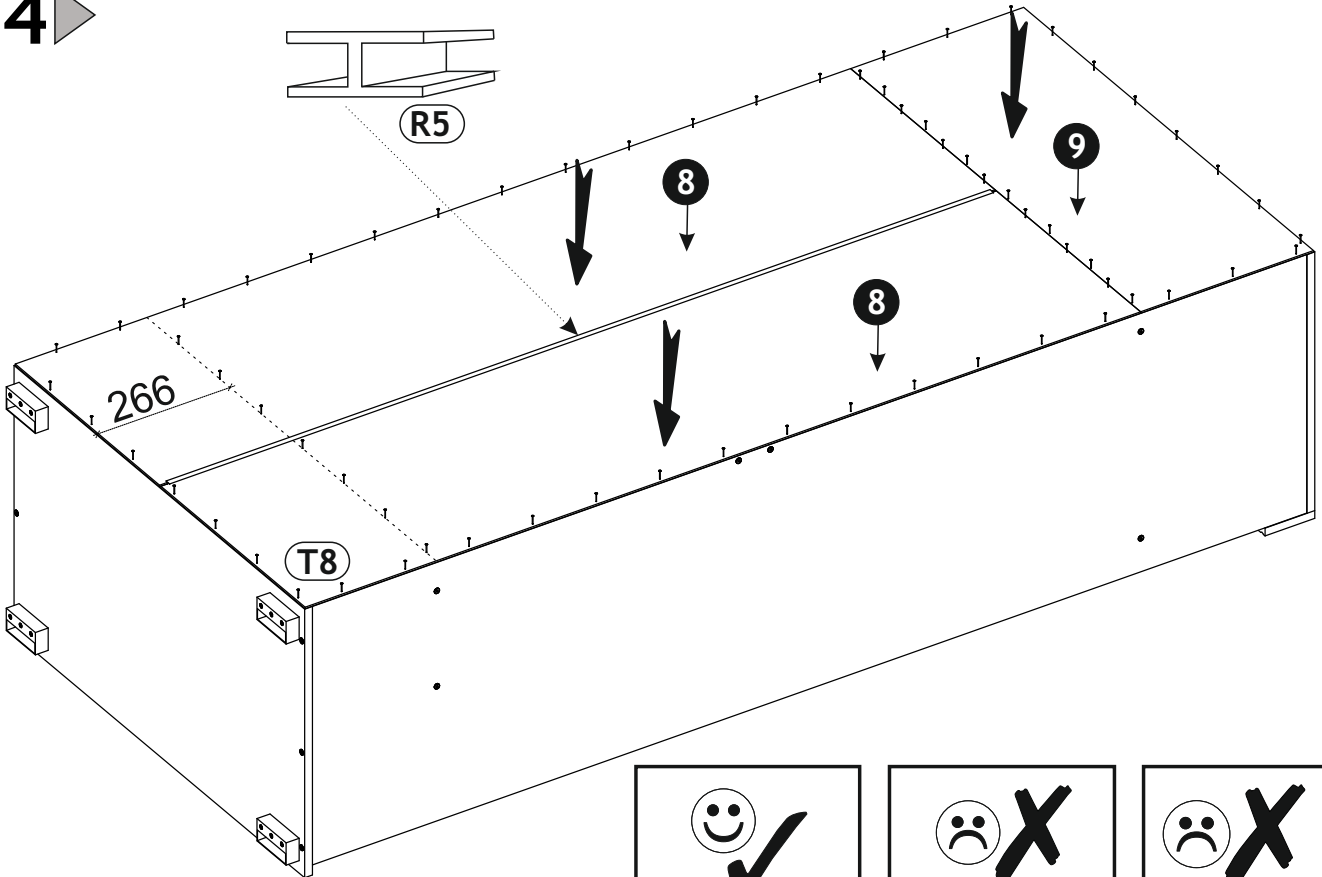
2 ▶



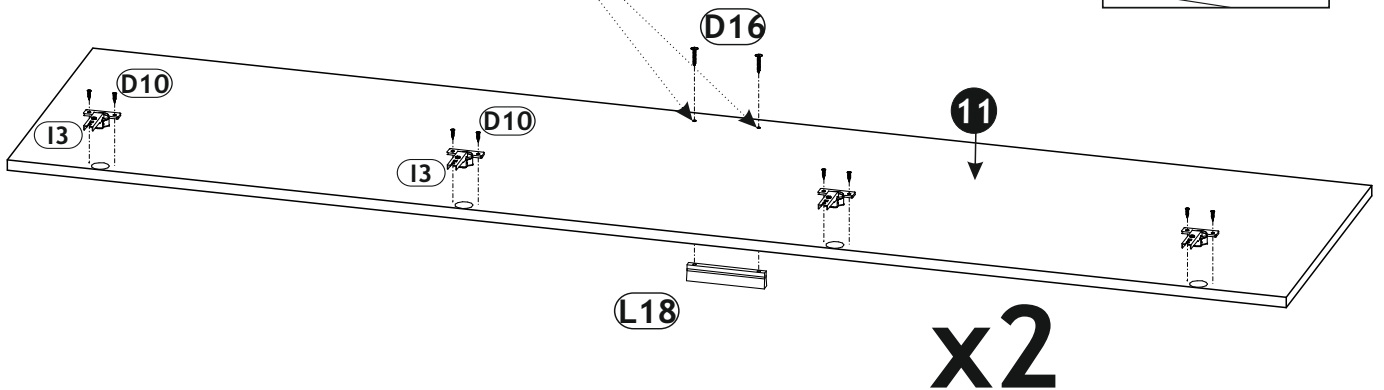
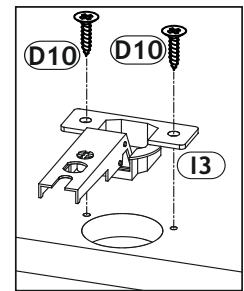
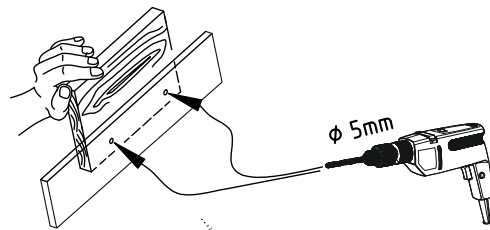
3 ▶



4 ▶

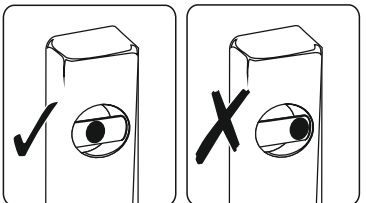
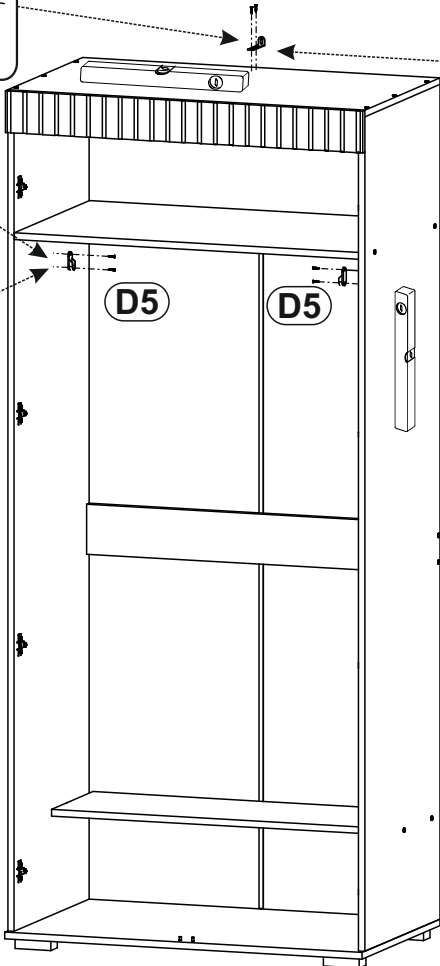
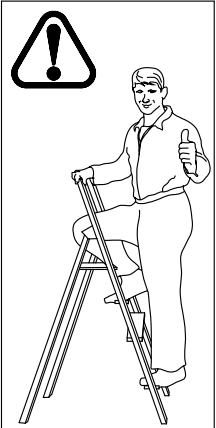
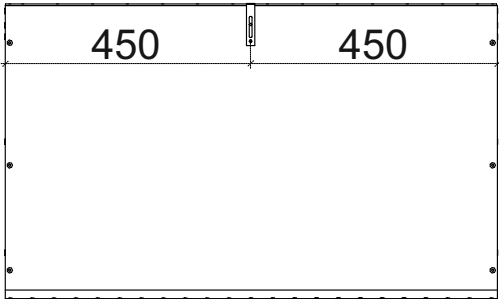
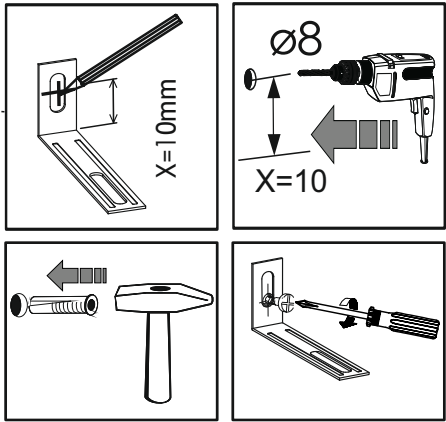
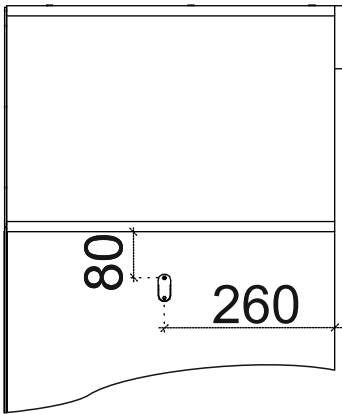
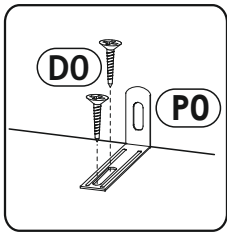
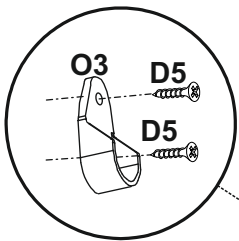
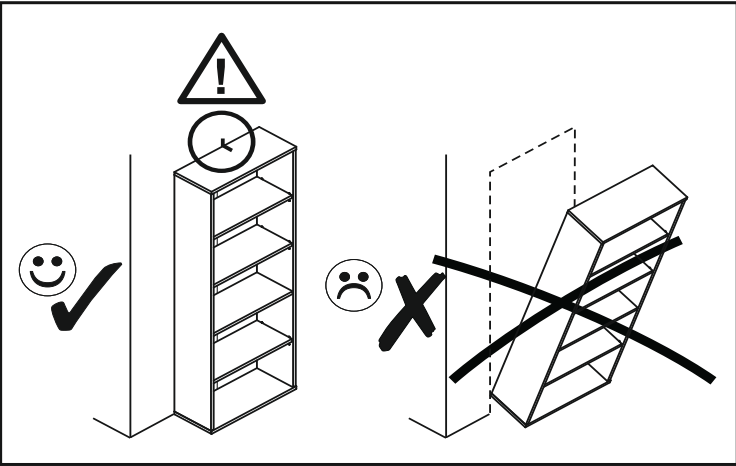
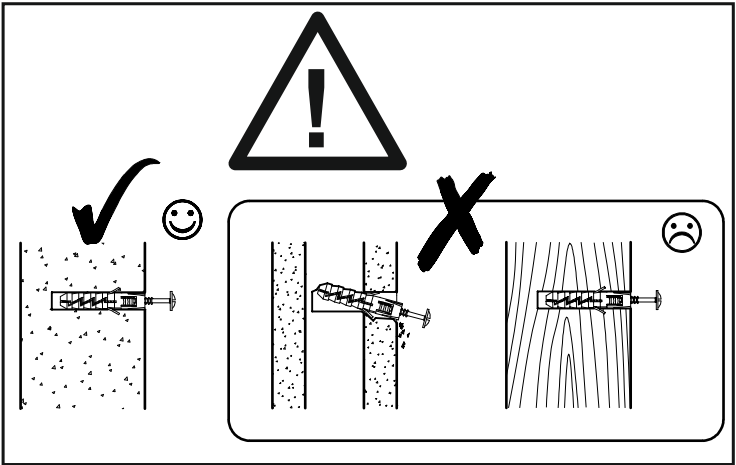


5 ▶



6

D0	3 x 15 mm	x2
D5	3,5 x 16 mm	x4
E0	5 x 50 mm 8 x 50 mm	x1
O3		x2
P0		x1



7

