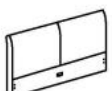


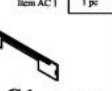








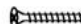












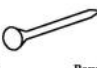



















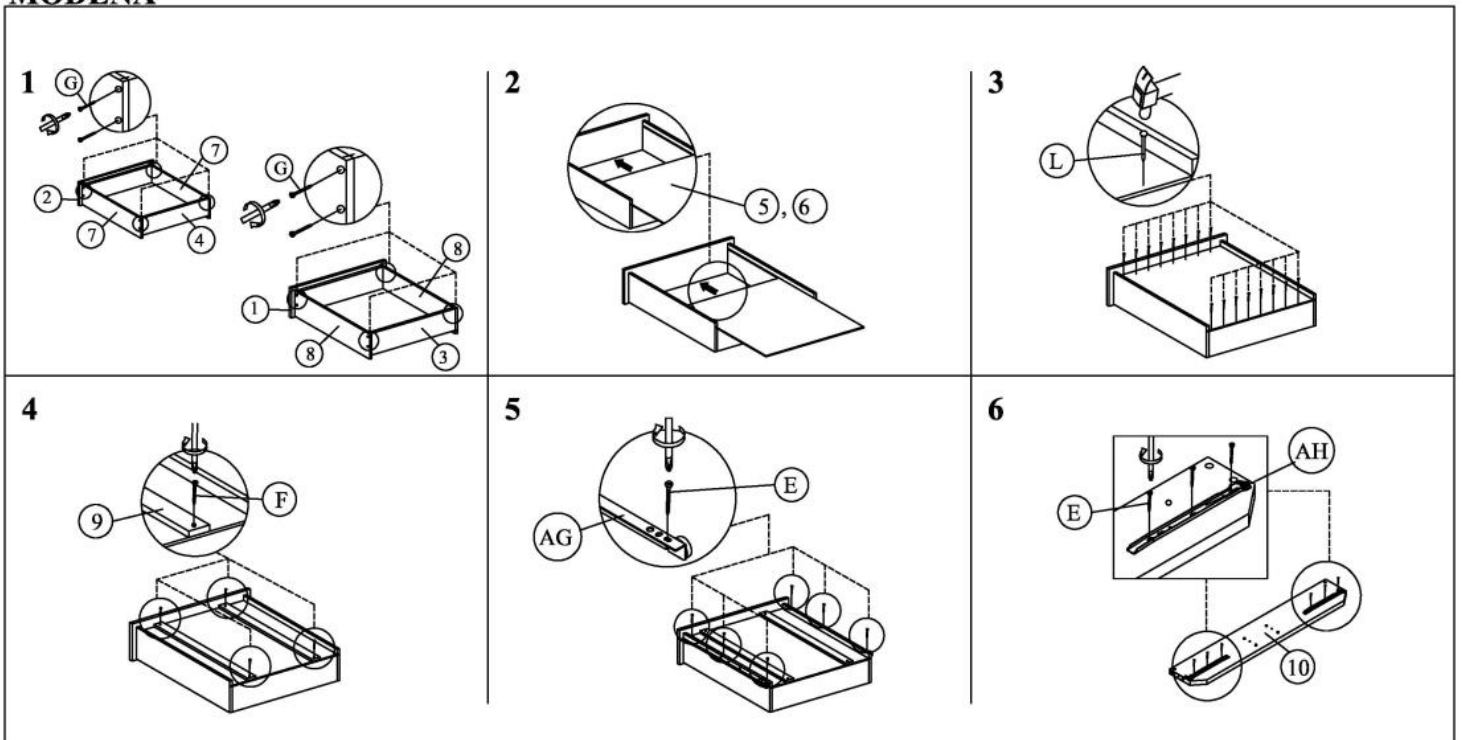


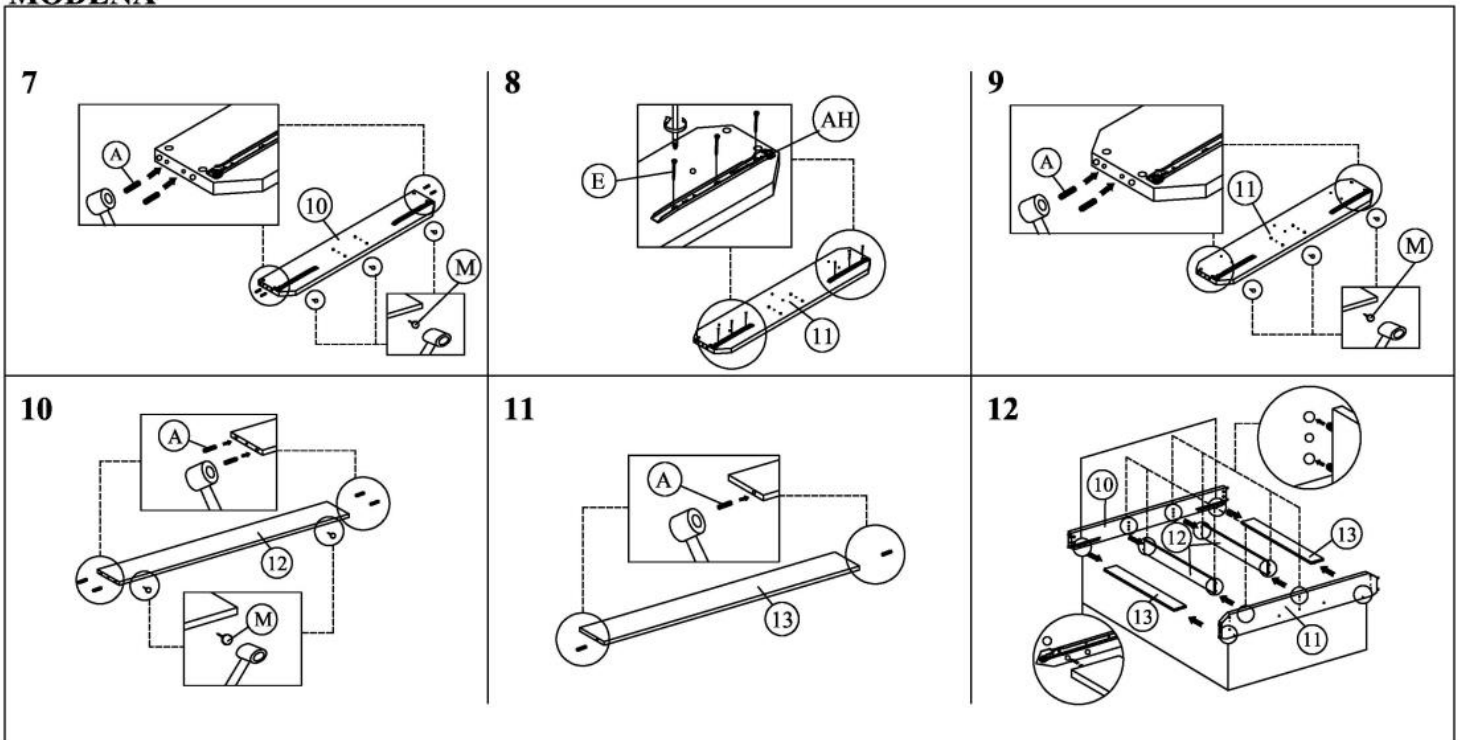
MODENA

Item AA  A Headboard 1 pc	Item AB  B Footboard 1 pc	Item AC  C Side Rail 1 pc	Item AC 1  C1 Side Rail 1 pc	Item A  Z2 Plastic Dowel (8 x 25) 31 pcs	Item B  Z3 JCBC W M6 x 40 17 pcs	Item C  Z4 JCBC M6 x 40 2 pcs
Item AD  D Slat 1 pc	Item AE  E Center Rail 1 pc	Item AF  F Support leg 2 pcs		Item D  Z5 JCBC M6 x 60 2 pcs	Item E  Z6 CSK M3.5 x 16 mm 52 pcs	Item F  Z7 CSK M4 x 32 mm 26 pcs
Item AG  G Drawer Slide 500 8 pcs	Item AH  H Drawer Slide 500 8 pcs	Item AI  I 4 pcs		Item G  Z8 CSK M4 x 50mm 40 pcs	Item H  Z9 CSK M4 x 25 mm 1 pc	Item I  Z10 Mini Fix Bolt 10 pcs
Item 1  J Big Drawer Front Panel 2 pcs	Item 2  K Small Drawer Front Panel 2 pcs	Item 3  L Big Drawer Back Panel 2 pcs	Item 4  M Small Drawer Back Panel 2 pcs	Item J  Z11 Mini Fix Housing 10 pcs	Item K  Z12 Mini Fix Cap 10 pcs	Item L  Z13 Power Nail 5/8 52 pcs
Item 5  N Big Drawer Bottom Panel 2 pcs	Item 6  O Small Drawer Bottom Panel 2 pcs	Item 7  P Small Drawer Side Panel 4 pcs	Item 8  Q Big Drawer Side Panel 4 pcs	Item M  Z14 White Nail Leg 16 pcs	Item N  Z15 Allen Key 65 mm 1 pc	Item O  Z16 M6 Flat Washer 10 pcs
Item 9  R 8 pcs	Item 10  S 1 pc	Item 11  T 1 pc	Item 12  U 2 pcs	Item P  Z17 Adjuster 2 pcs	Item Q  Z18 JCBC M6 x 30 8 pcs	
Item 13  V 2 pcs	Item 14  W 1 pc	Item 15  X 1 pc	Item 16  M 1 pc			
Item 17  Z 1 pc	Item 18  Z1 1 pc					

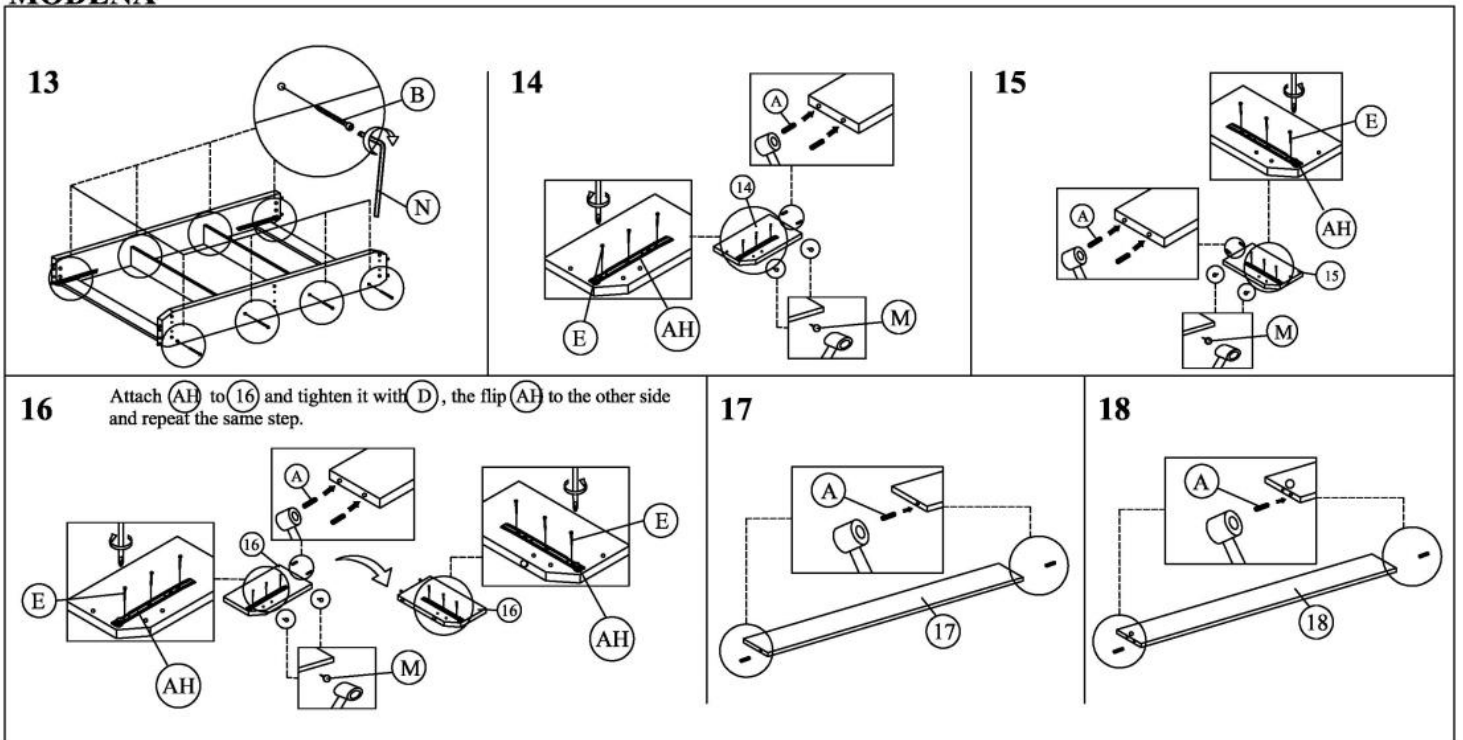
MODENA



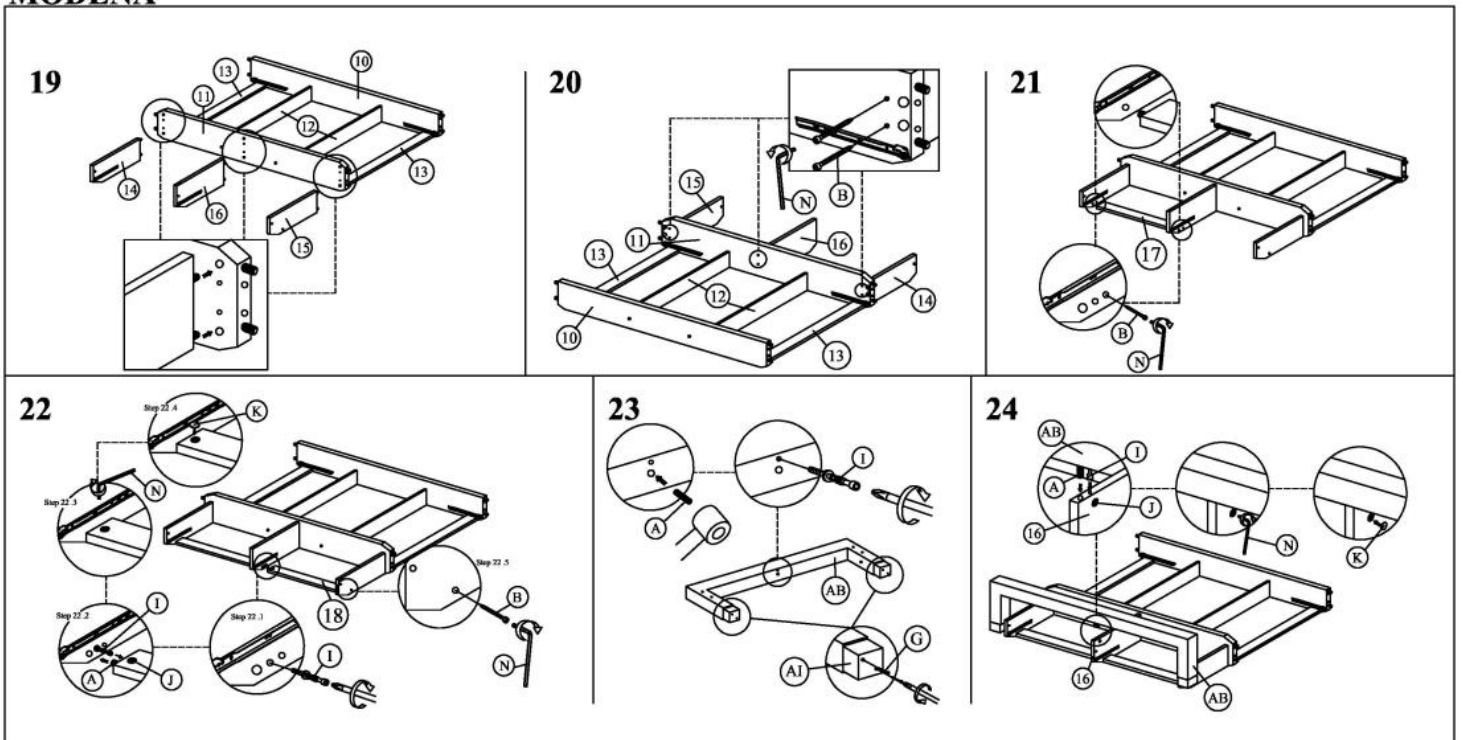
MODENA



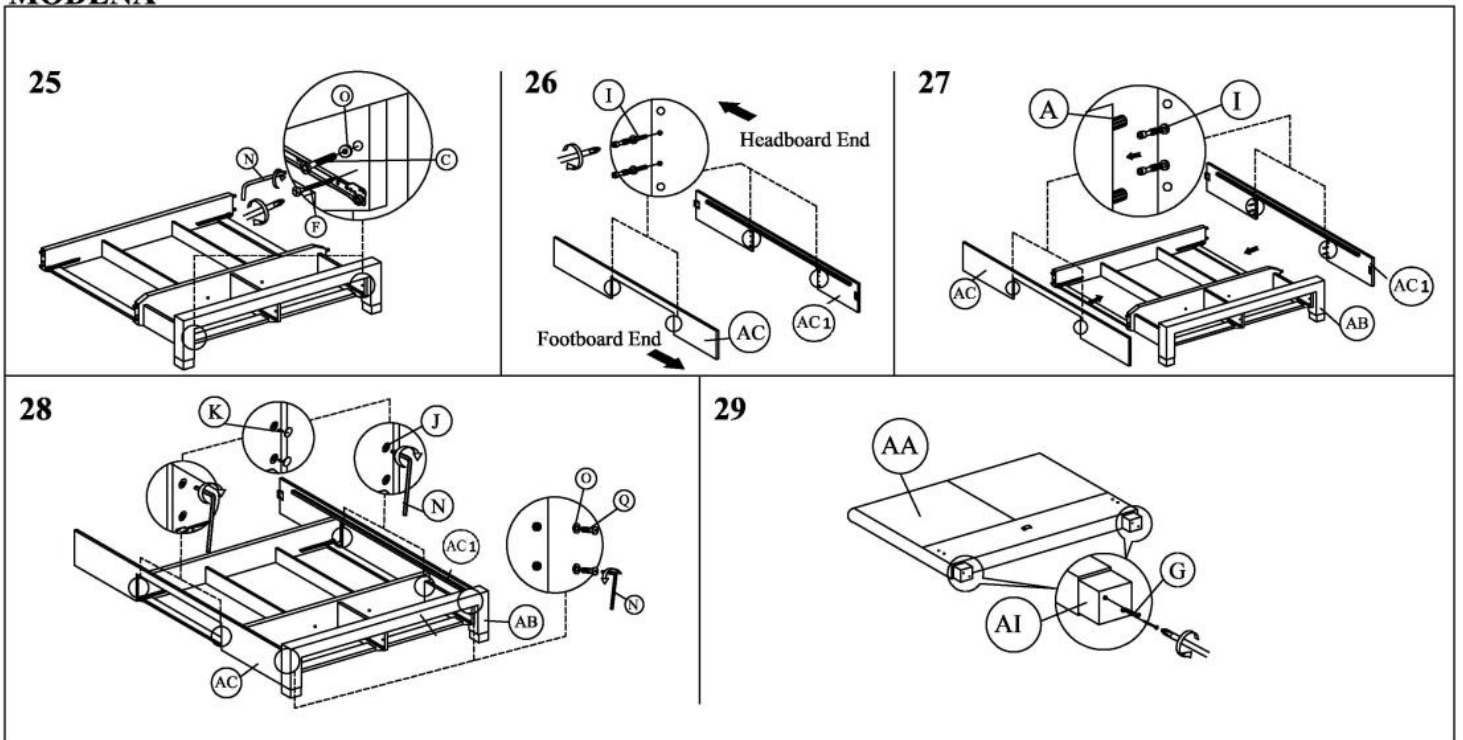
MODENA



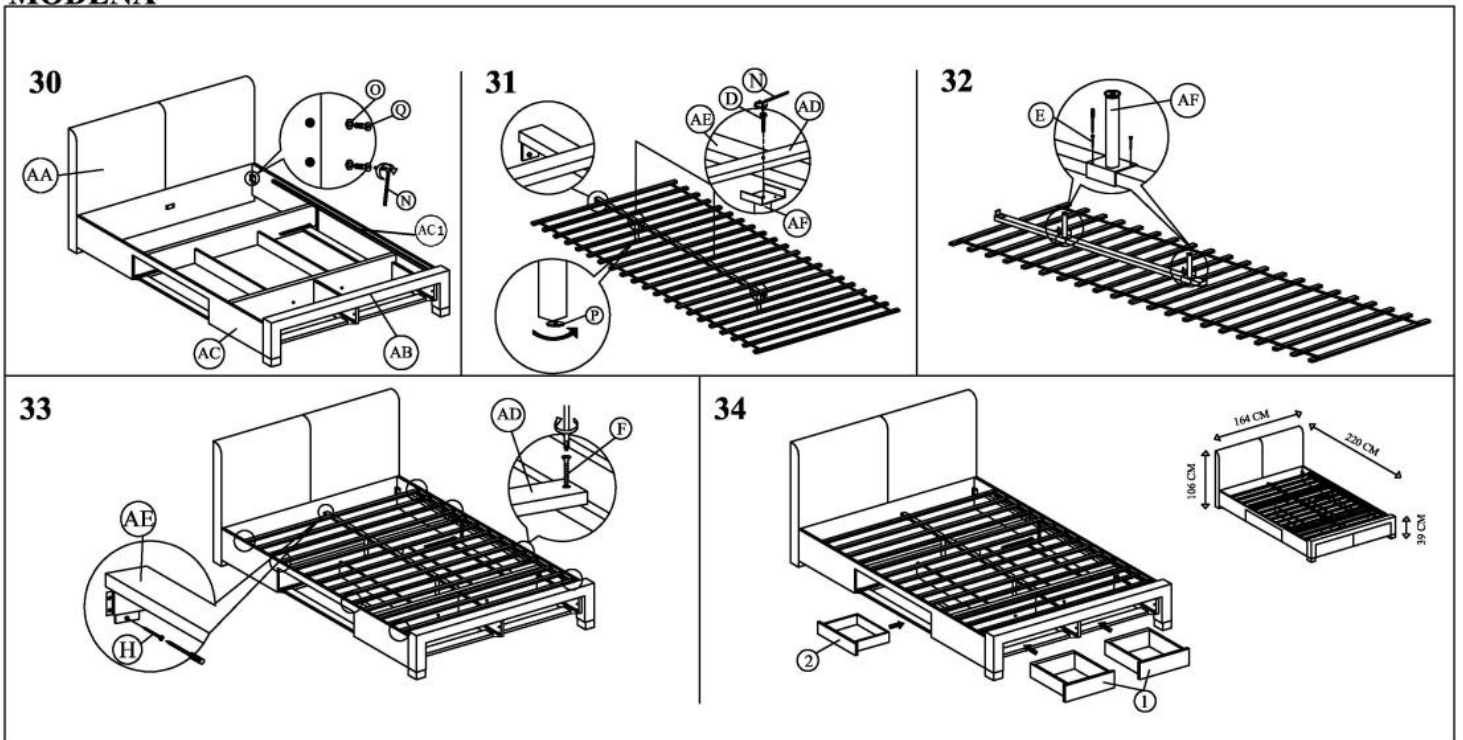
MODENA



MODENA



MODENA



HALMAR SP.z o.o.
 ul. Centralnego Okręgu Przemysłowego 2, 37-450 Stalowa Wola, POLSKA / POLAND
 tel. +48 15 843 28 10, fax: +48 15 842 19 57, e-mail: office@halmar.com.pl