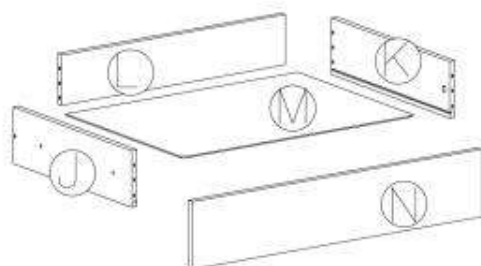


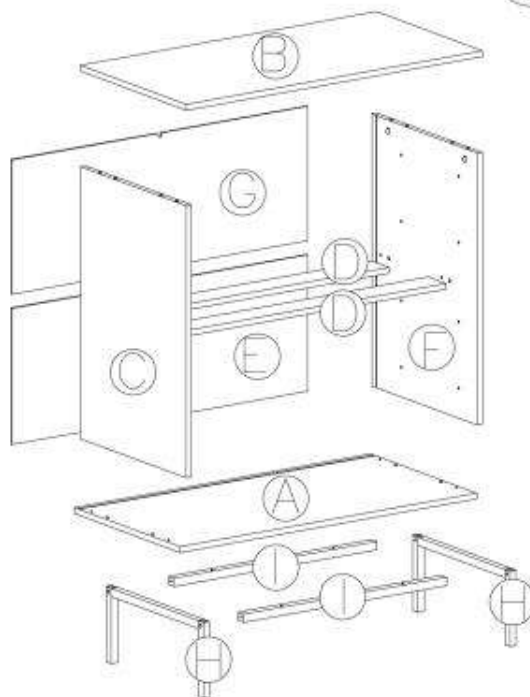
# MURANO KM2


























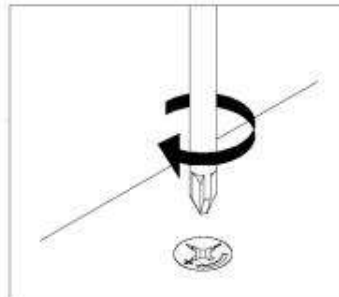
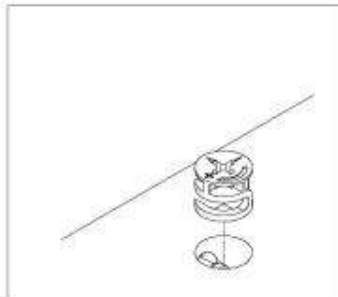
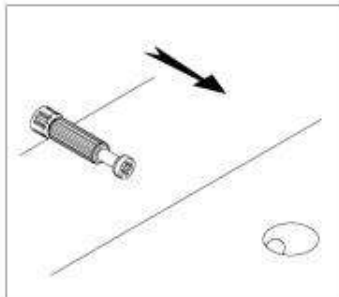
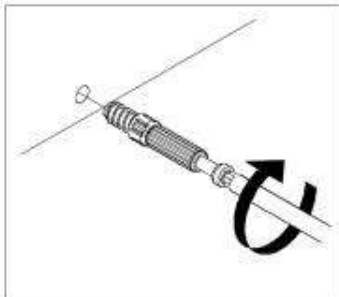
HALMAR Sp. z o.o., ul. Centralnego Okręgu Przemysłowego 2,  
37-450 Stalowa Wola, POLSKA / POLAND  
tel. +48 15 843 28 10, fax: +48 15 842 19 57, e-mail: office@halmar.com.pl



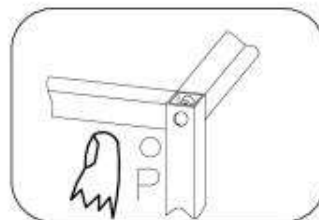
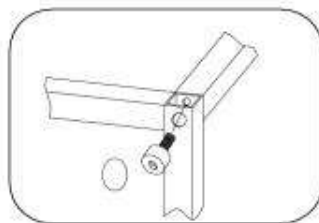
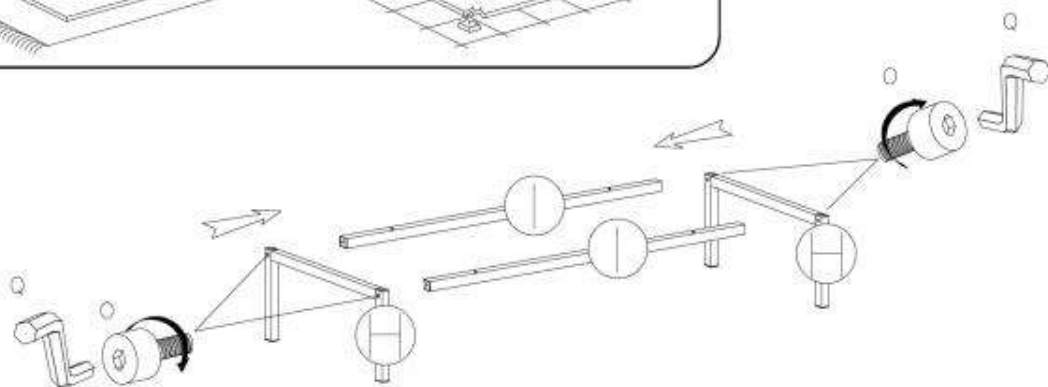
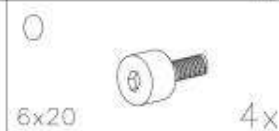
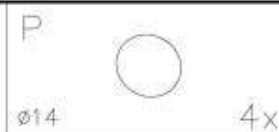
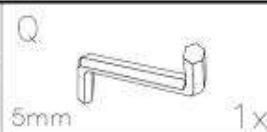
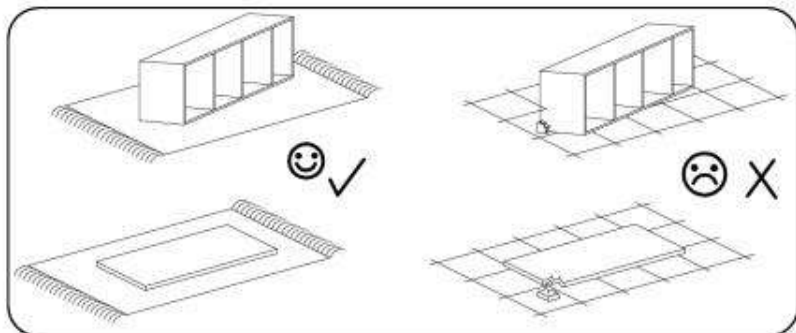
X4



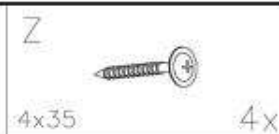
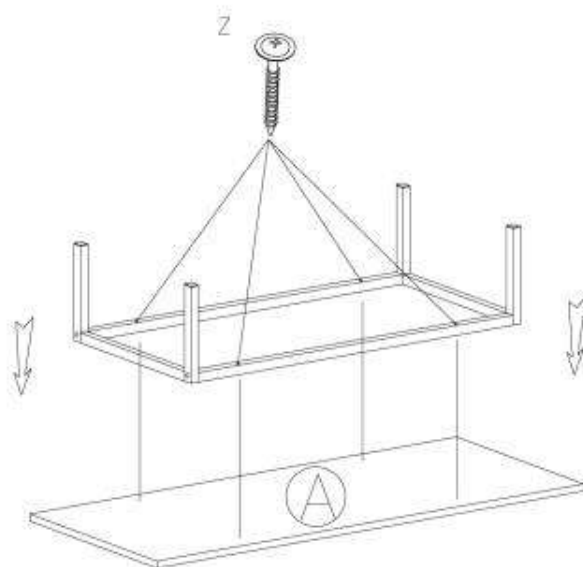
		O 6x20  4x	P ø14  4x	Q 5mm  1x
R 4x40  1x	S 4x16  2x	T  1x	U ø8x40  1x	W 3.5x13  16x
X  16x	Y 3x16  21x	Z 4x35  4x	Z1 105mm  4x	Z2  4x
Z3 ø8x30  44x	Z4 ø18  16x	Z5  16x	Z6 4mm  1x	Z7 H30-350mm  4x
Z7 ø15x12  16x	Z8 ø7x50  12x	Z9 5x13  32x	Z10  5x	Z11 L-350mm  4x



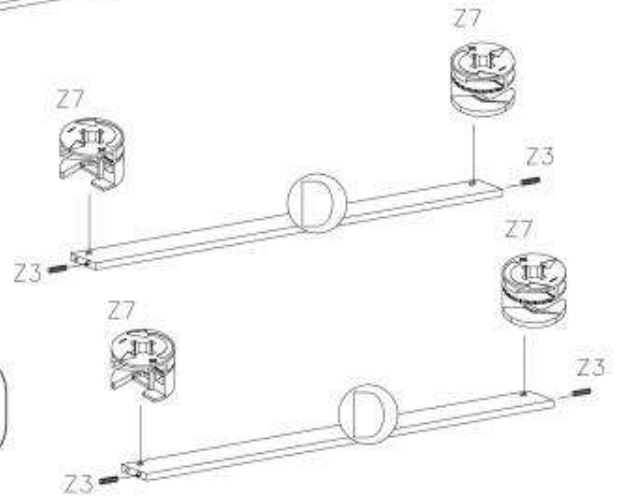
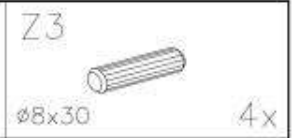
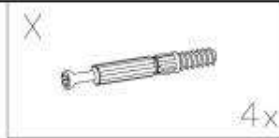
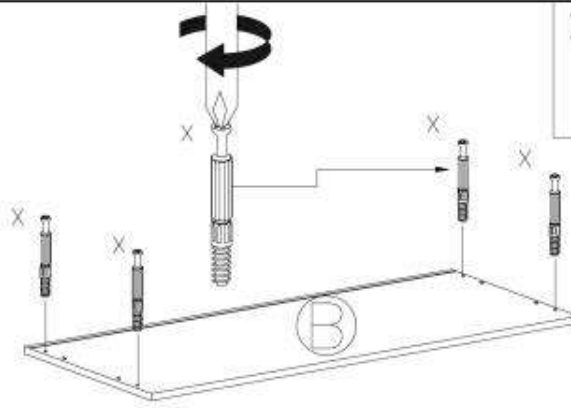
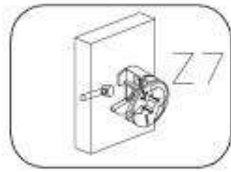
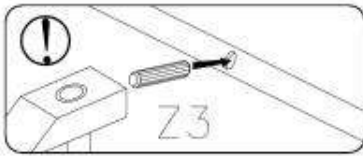
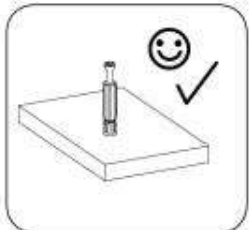
1



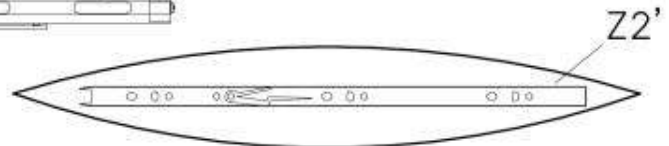
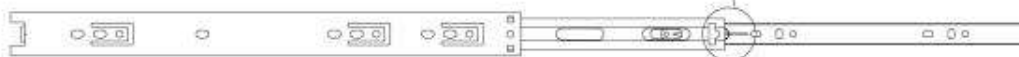
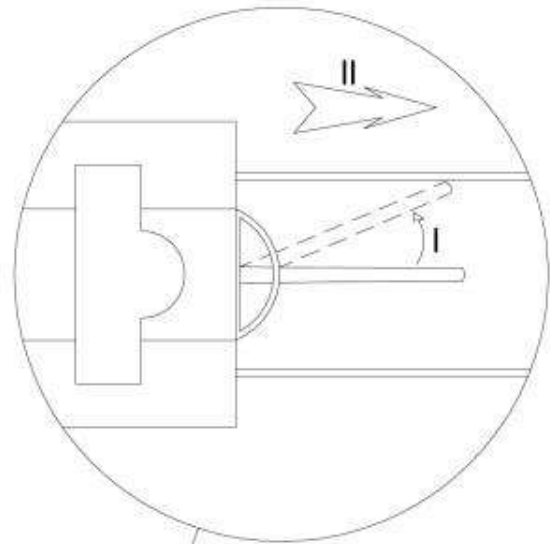
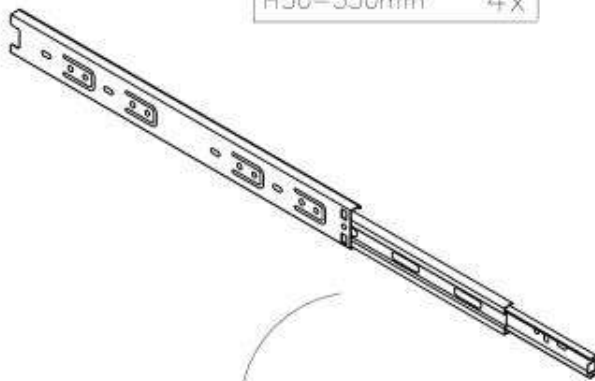
2



3

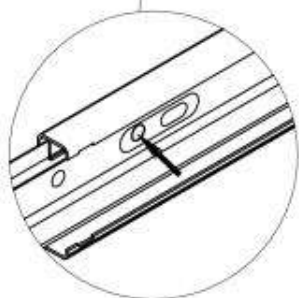
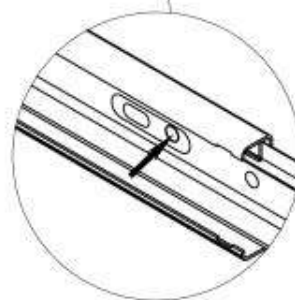
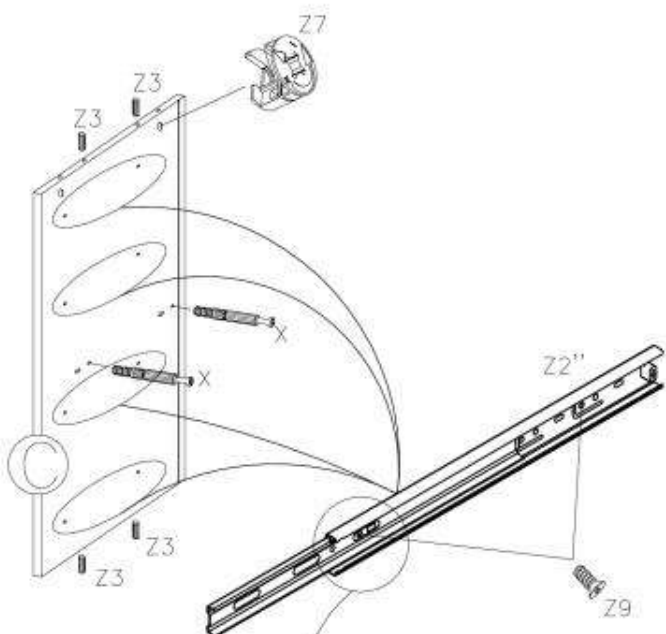
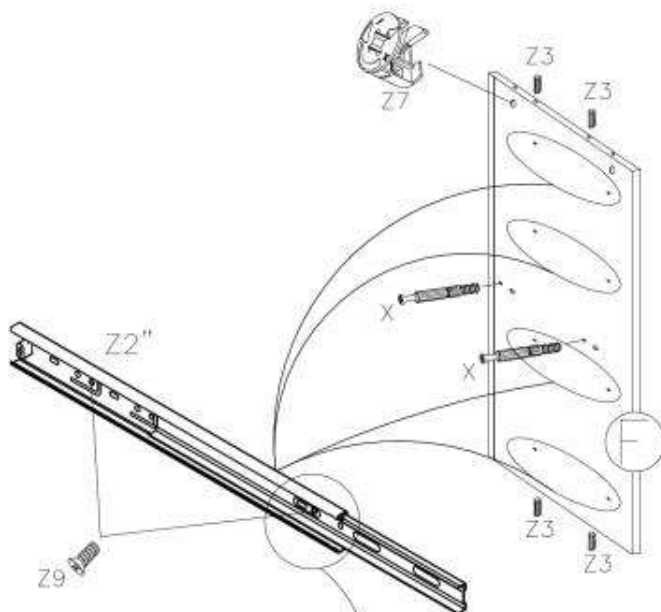
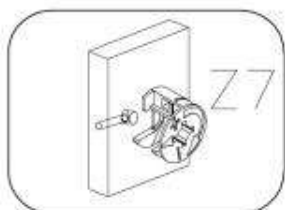
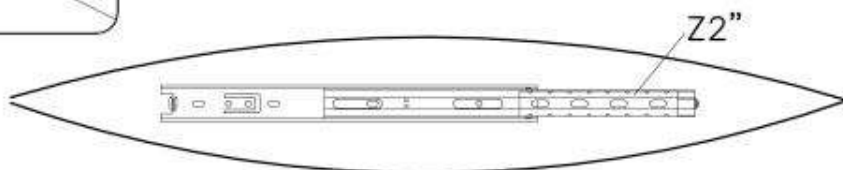
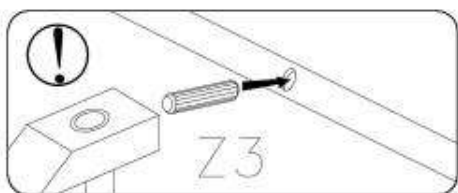


4

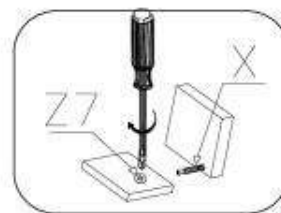
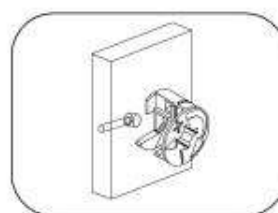
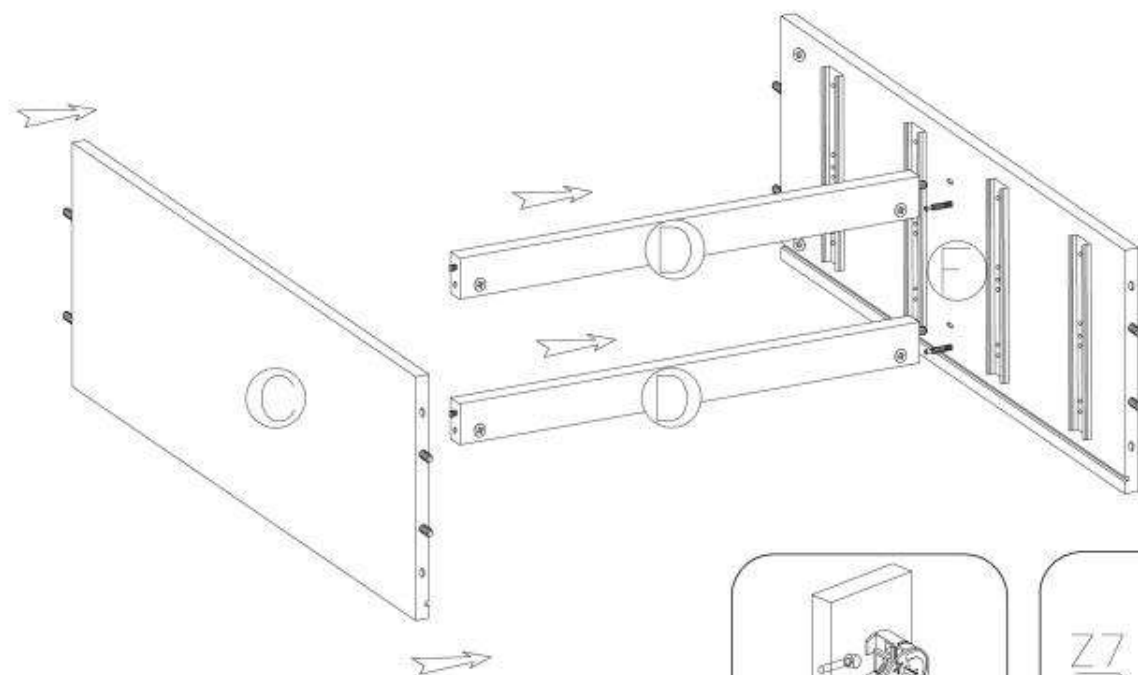


# 5

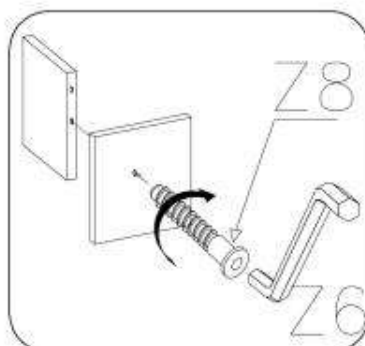
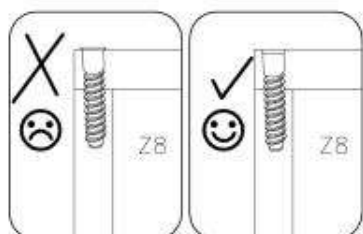
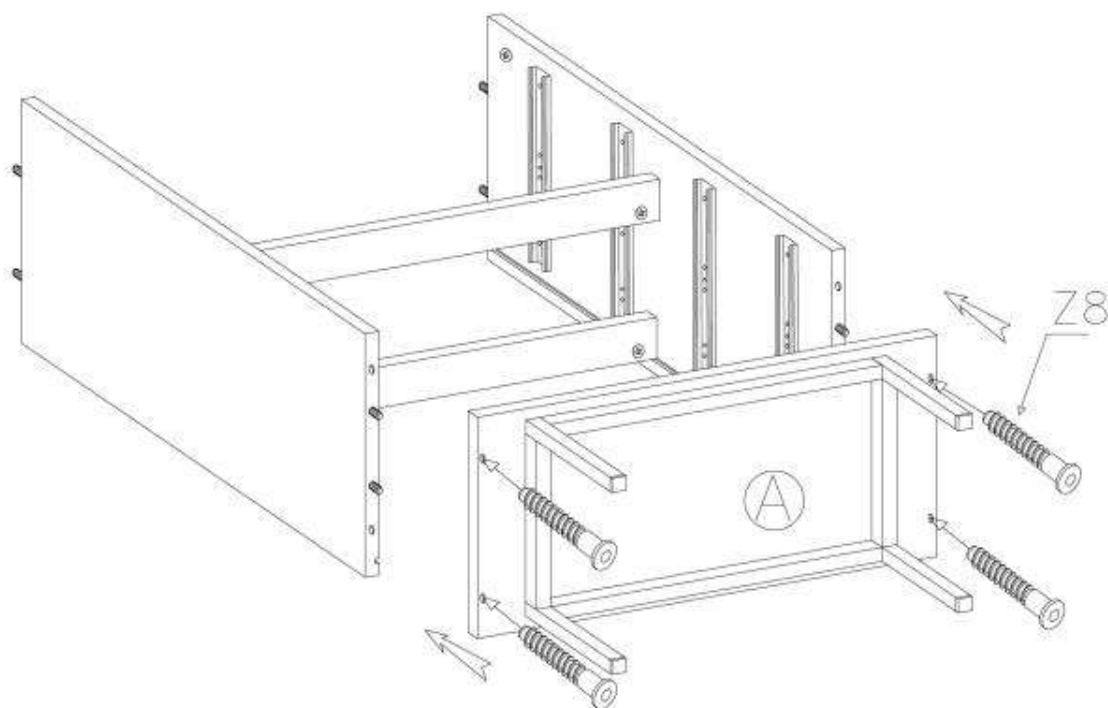
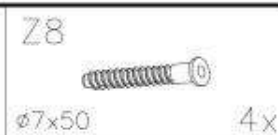
X	Z3	Z7	Z9
			
4x	ø8x30	8x ø15x12	4x 5x13 16x



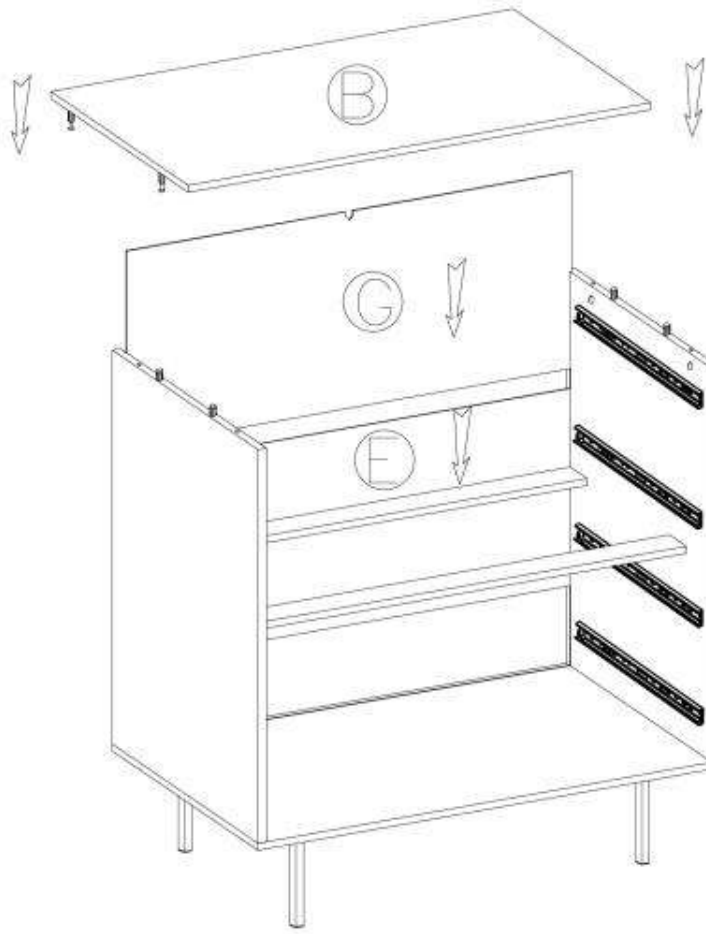
6



7



8



9

Y



3x16

5x

Z5

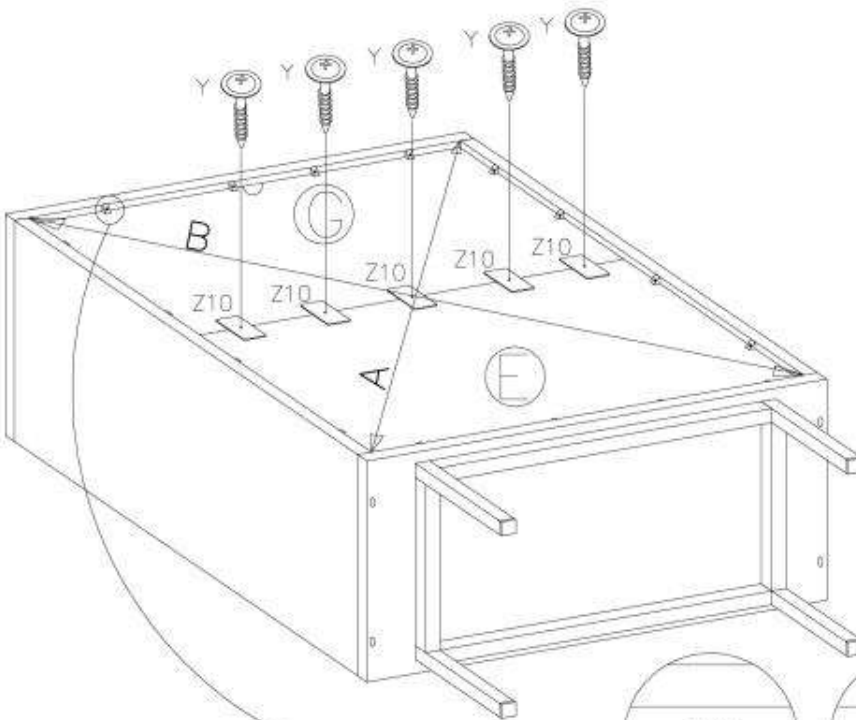


16x

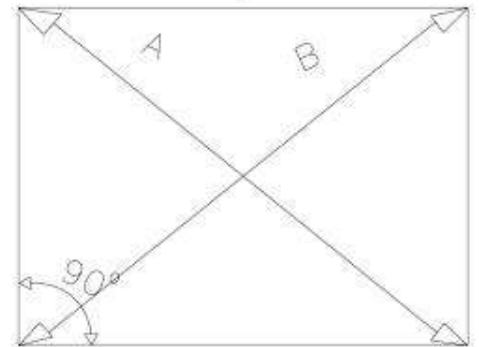
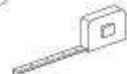
Z10



5x



A=B







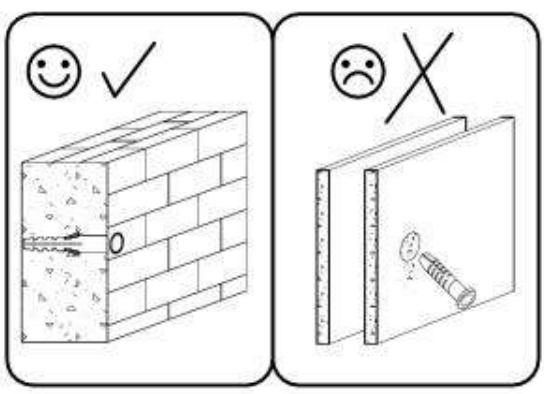
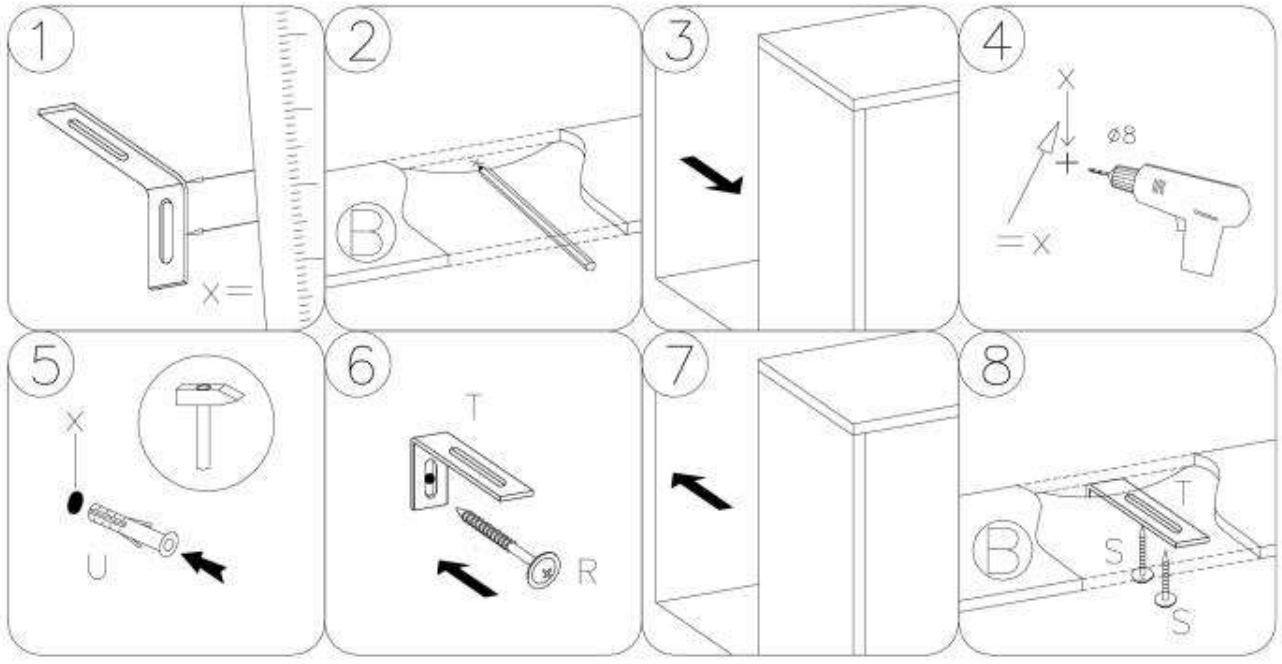
Z5



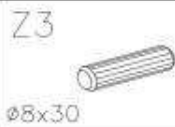
6/10

NOWOŚĆ

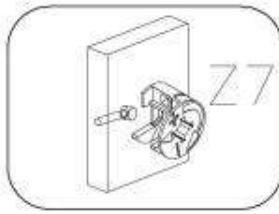
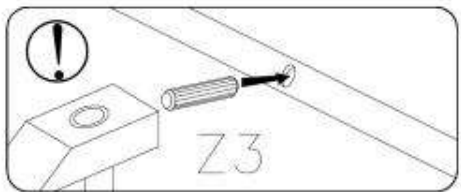
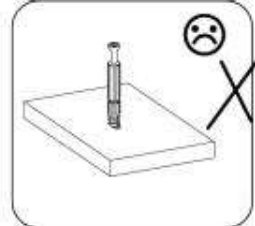
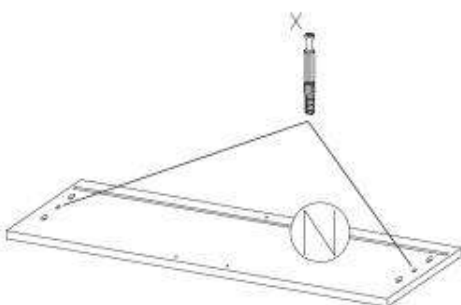
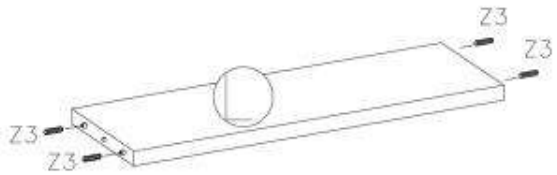
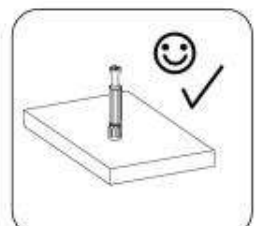
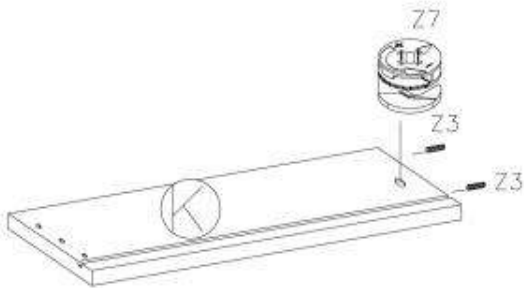
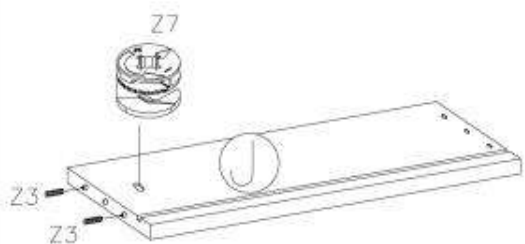
T  1x	R  4x40	S  1x 4x16	U  2x ø8x40	1x
---	---	--	---	----



11

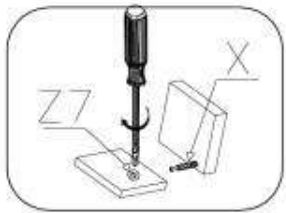
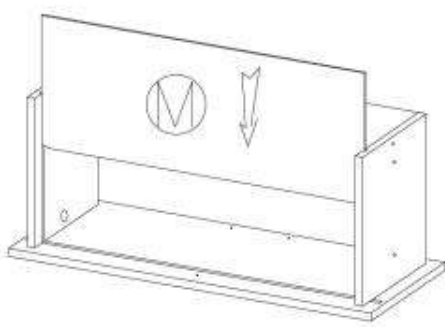
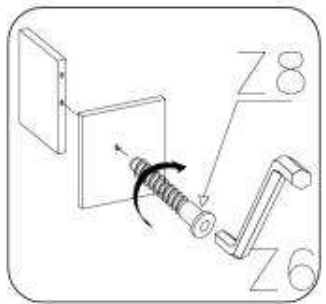
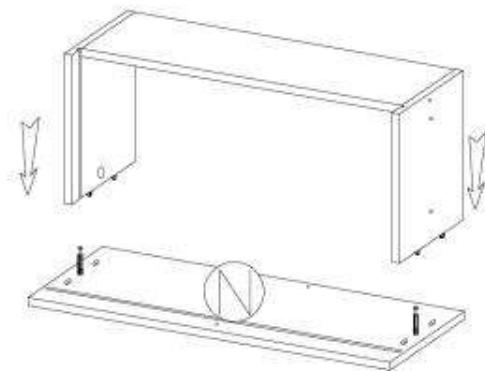
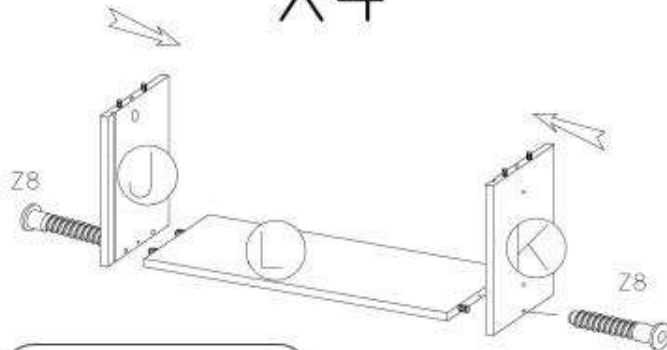
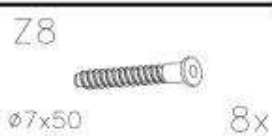
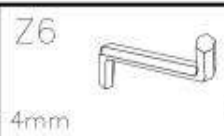


X4



12

X4





13

W  
3.5x13  
16x



Y  
3x16  
16x



Z1  
105mm  
4x

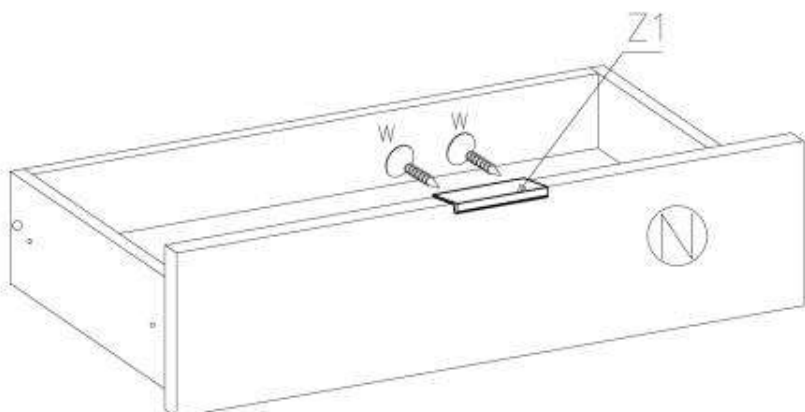
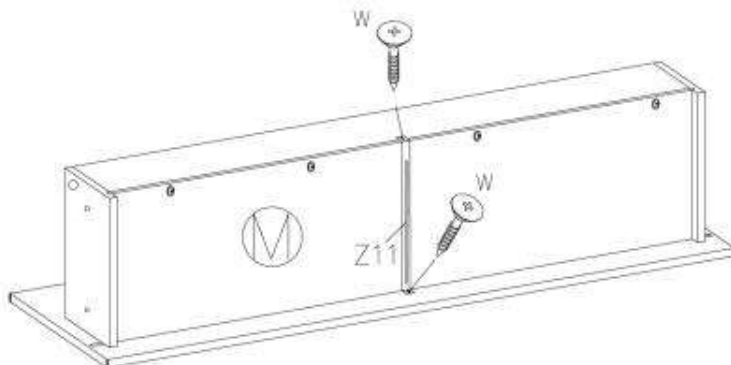
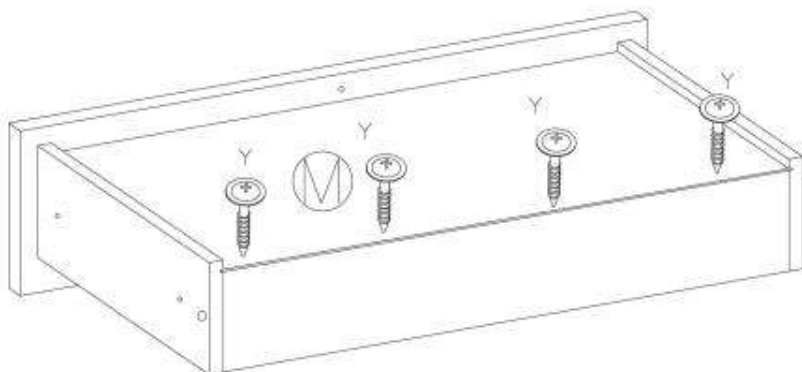
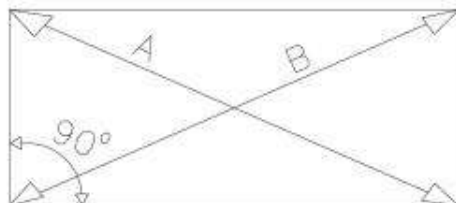
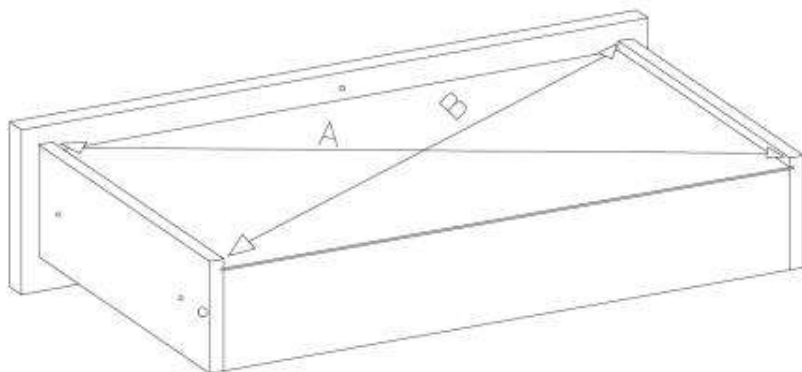
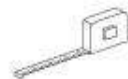


Z11  
L-350mm  
4x



X4

A=B



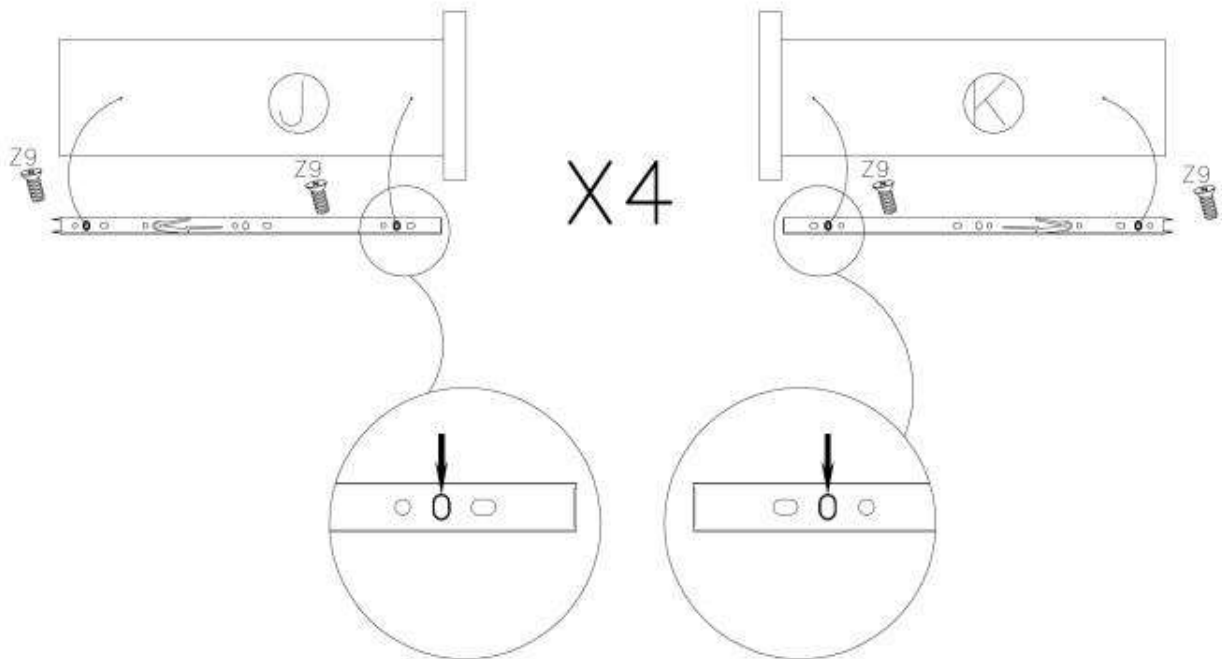
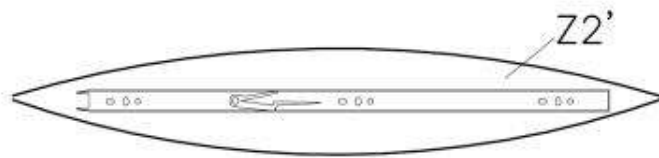
14

Z9

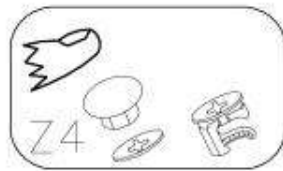


5x13

16x



15



Z4



ø18

16x

