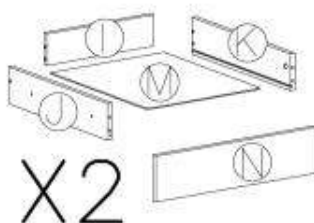
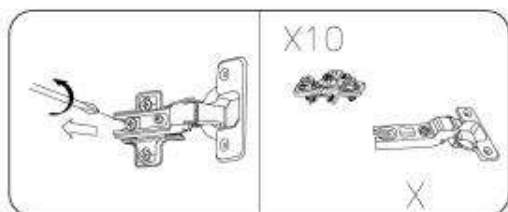
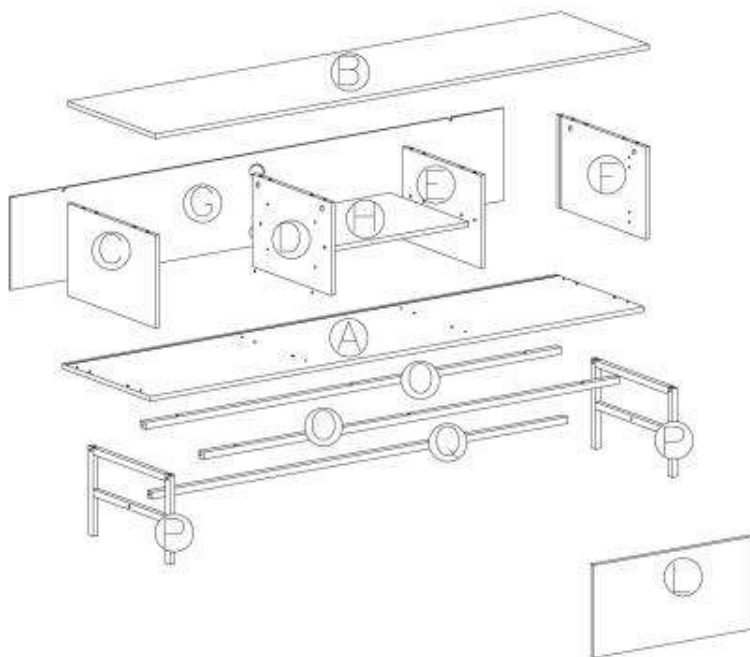
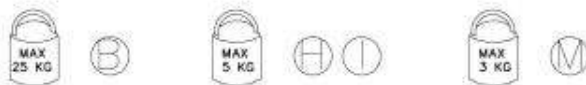
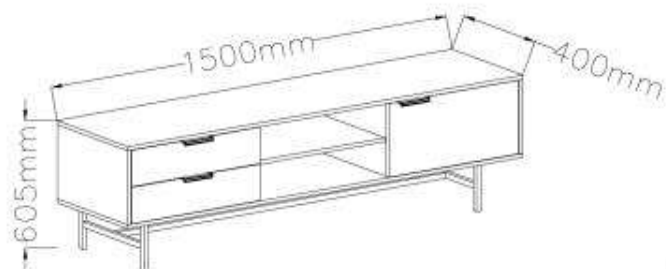





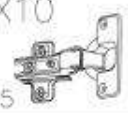



















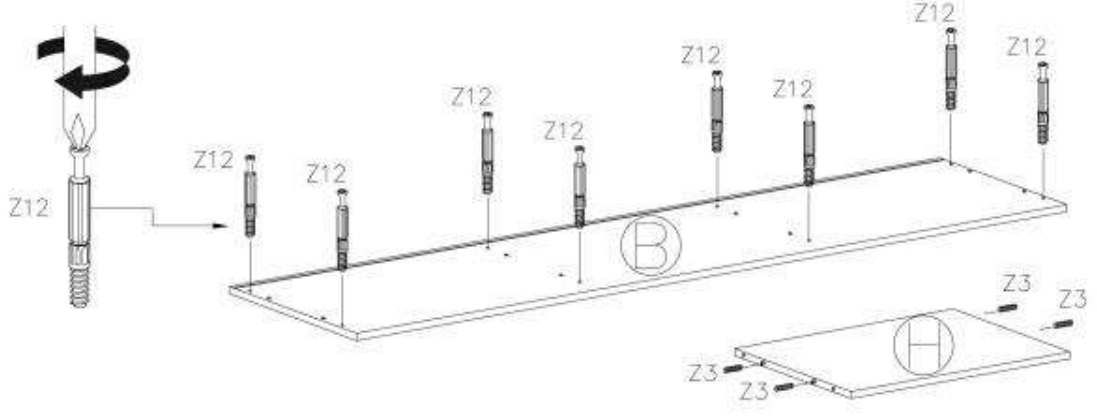
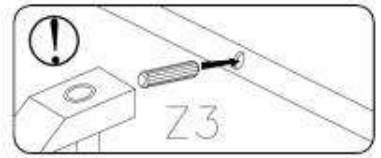
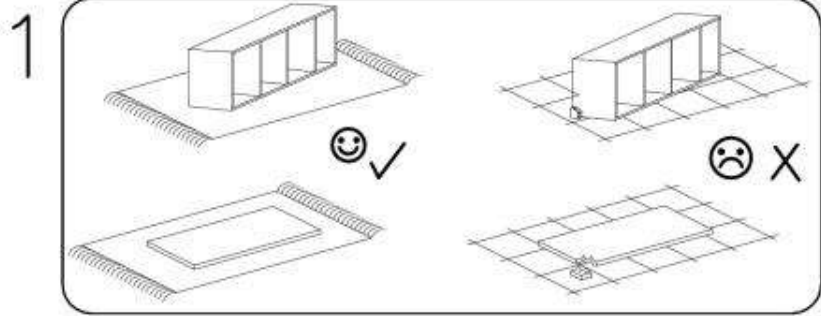
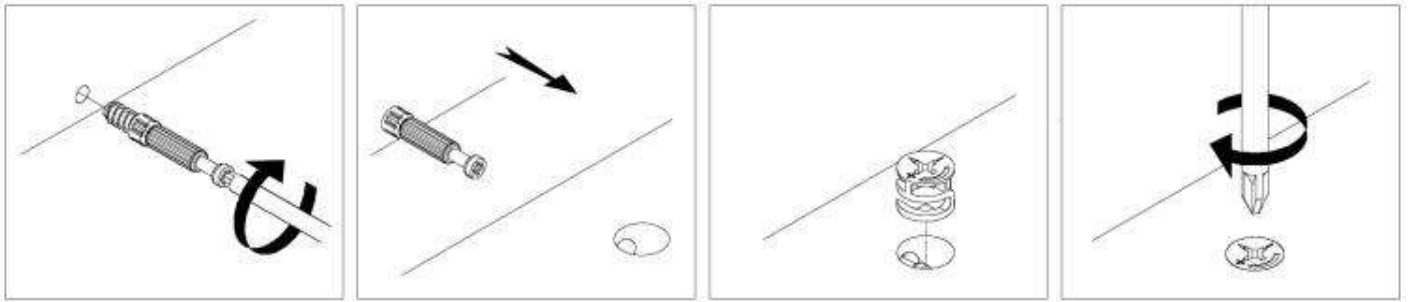
MURANO RTV-1



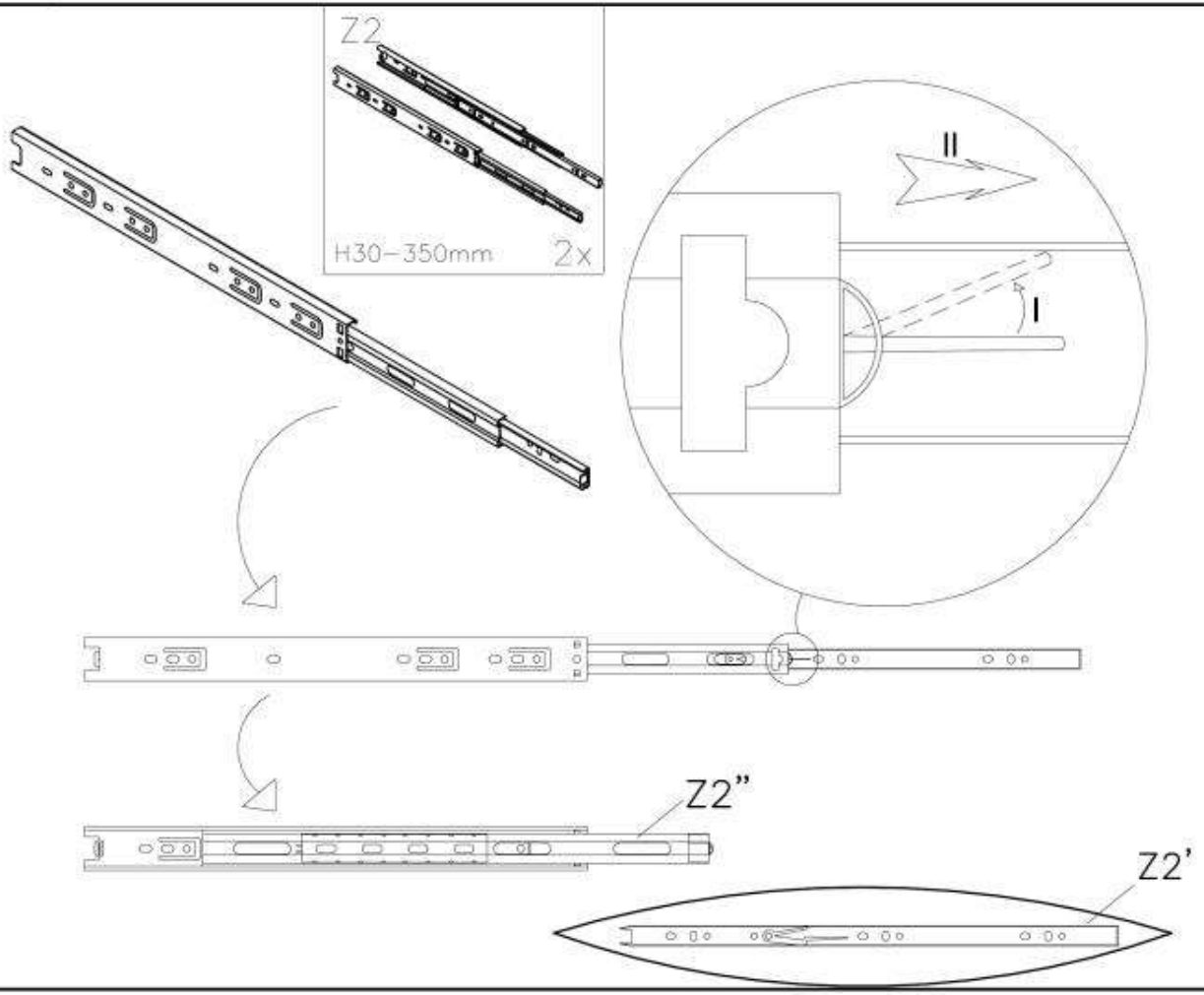
HALMAR Sp. z o.o., ul. Centralnego Okręgu Przemysłowego 2,
37-450 Stalowa Wola, POLSKA / POLAND
tel. +48 15 843 28 10, fax: +48 15 842 19 57, e-mail: office@halmar.com.pl



	R 6x20  6x	S 4x16  4x	T  2x	U ø8x40  2x
W 3.5x13  10x	X+X10 KR-15  2x	Y  2x	Z 4x35  6x	Z1 105mm  3x
Z2  H30-350mm 2x	Z3 ø8x30  28x	Z4 ø18  12x	Z5  16x	Z6 4mm  1x
Z11 3x16  12x	Z7 ø15x12  12x	Z8 ø7x50  16x	Z9 5x13  16x	Z10 ø10  4x
	Z12  12x	Z13 4x40  2x	Z14 5mm  1x	Z15 ø14  6x



2



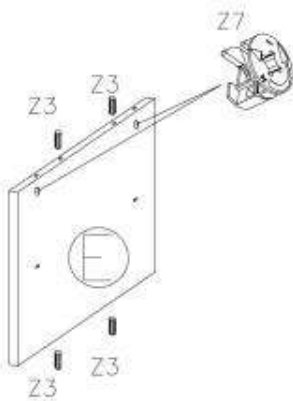
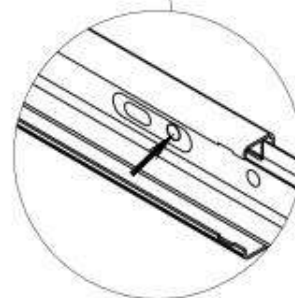
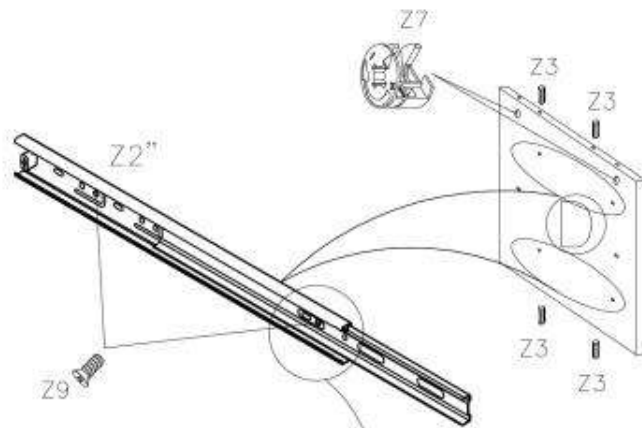
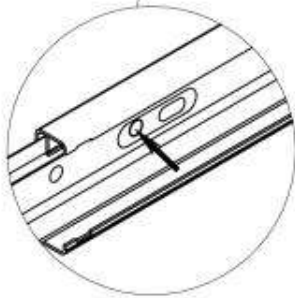
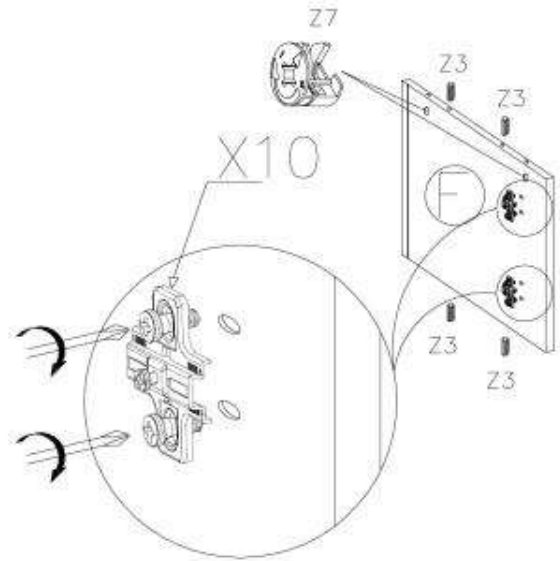
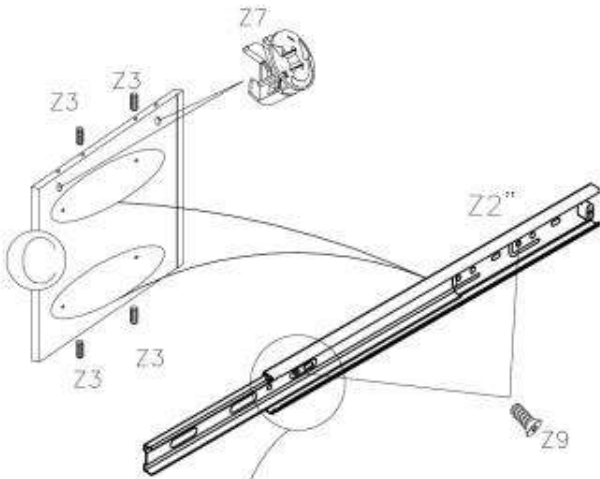
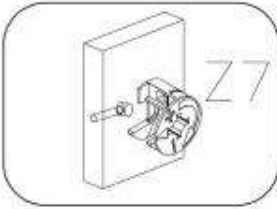
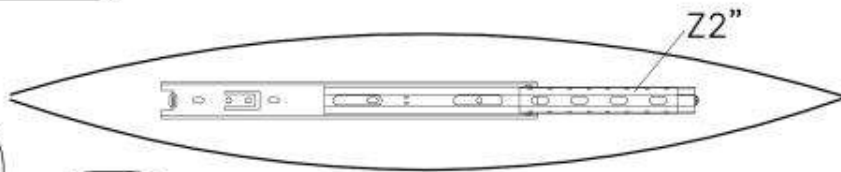
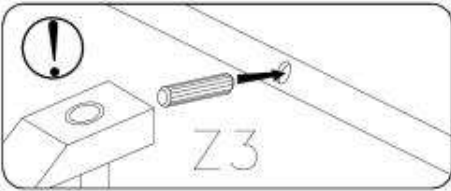
3

Z3
Ø8x30
16x

Z7
Ø15x12
8x

Z9
5x13
8x

X10
2x



4

Z6



4mm

1x

Z8



ø7x50

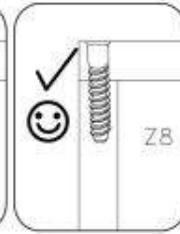
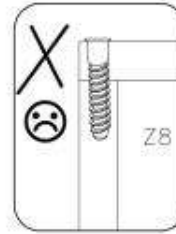
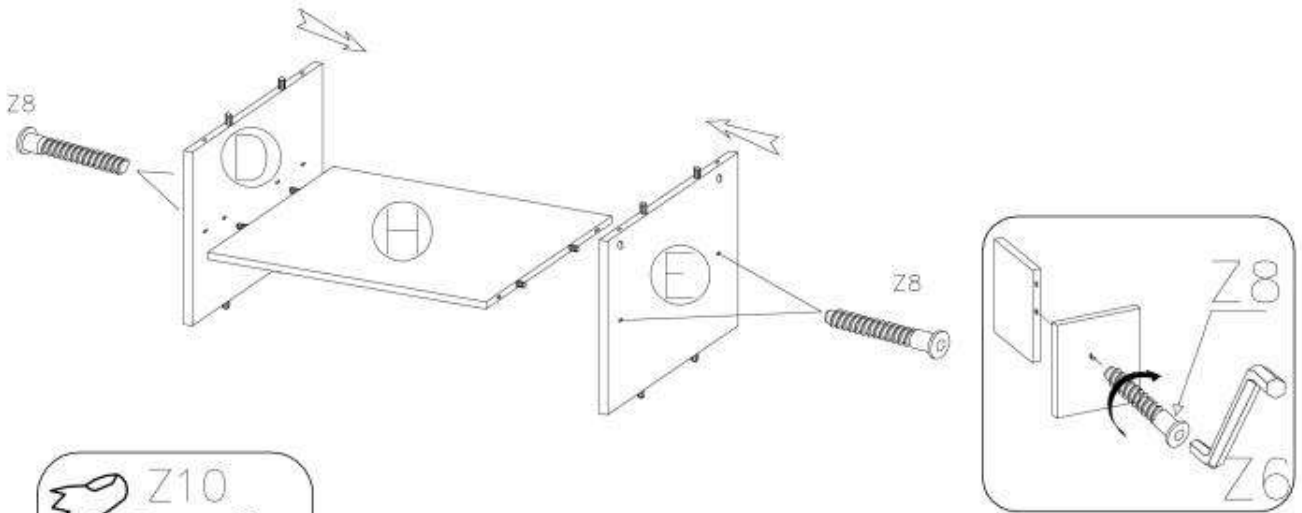
4x

Z10

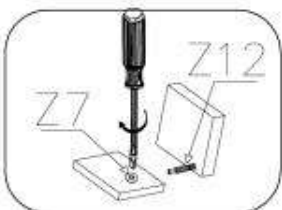
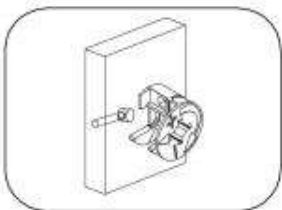
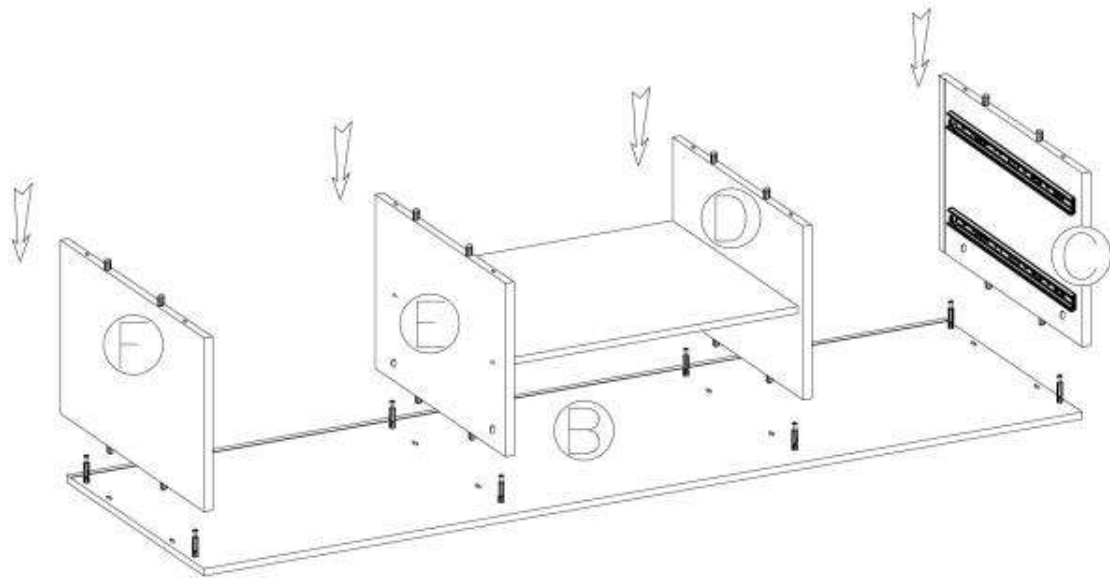


ø10




4x

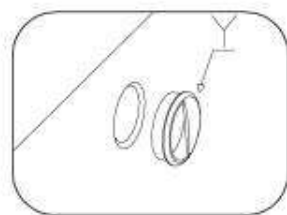
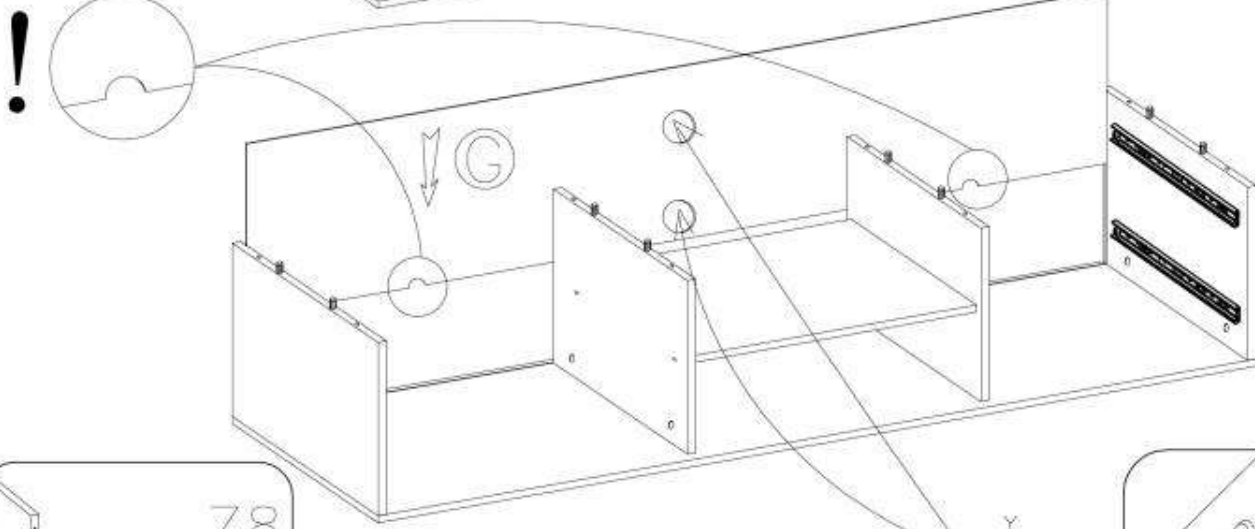
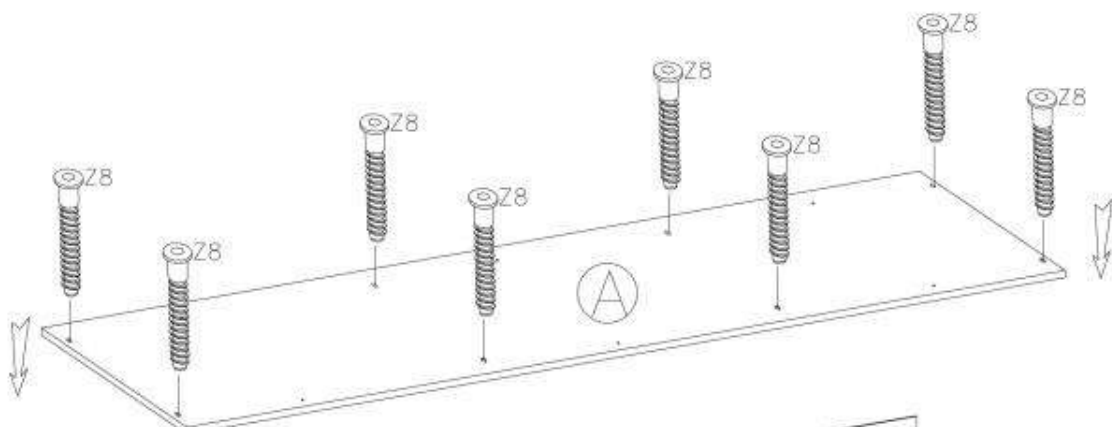


5






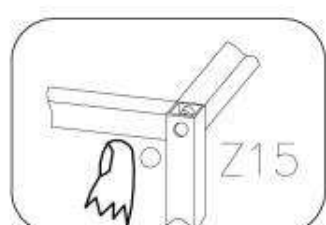
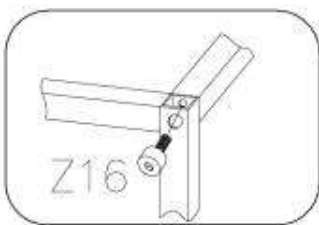
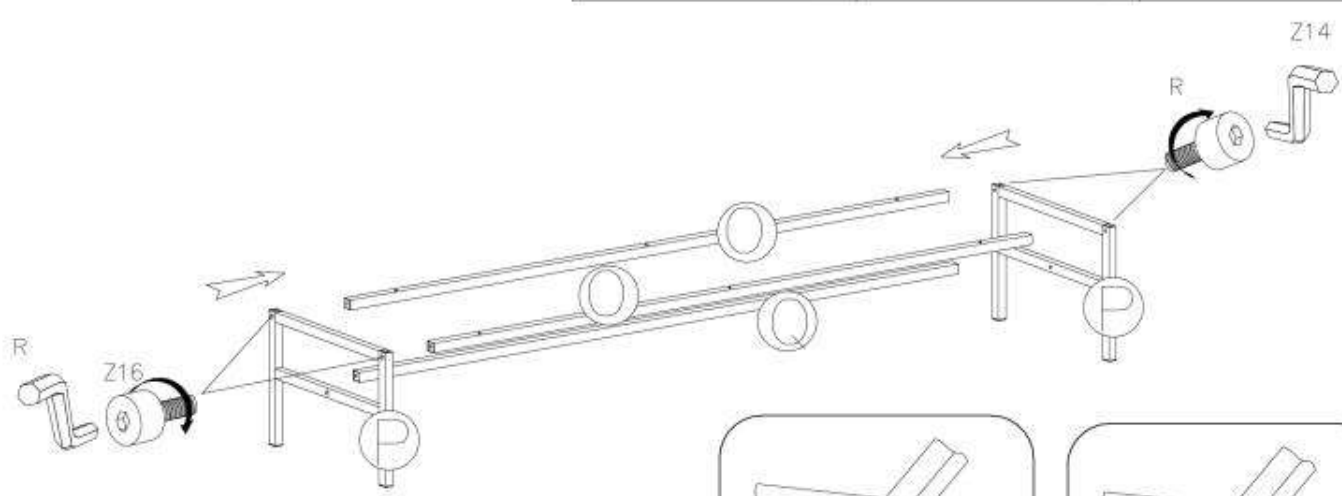
6

Y		Z6		Z8	
	2x	4mm	1x	ø7x50	8x

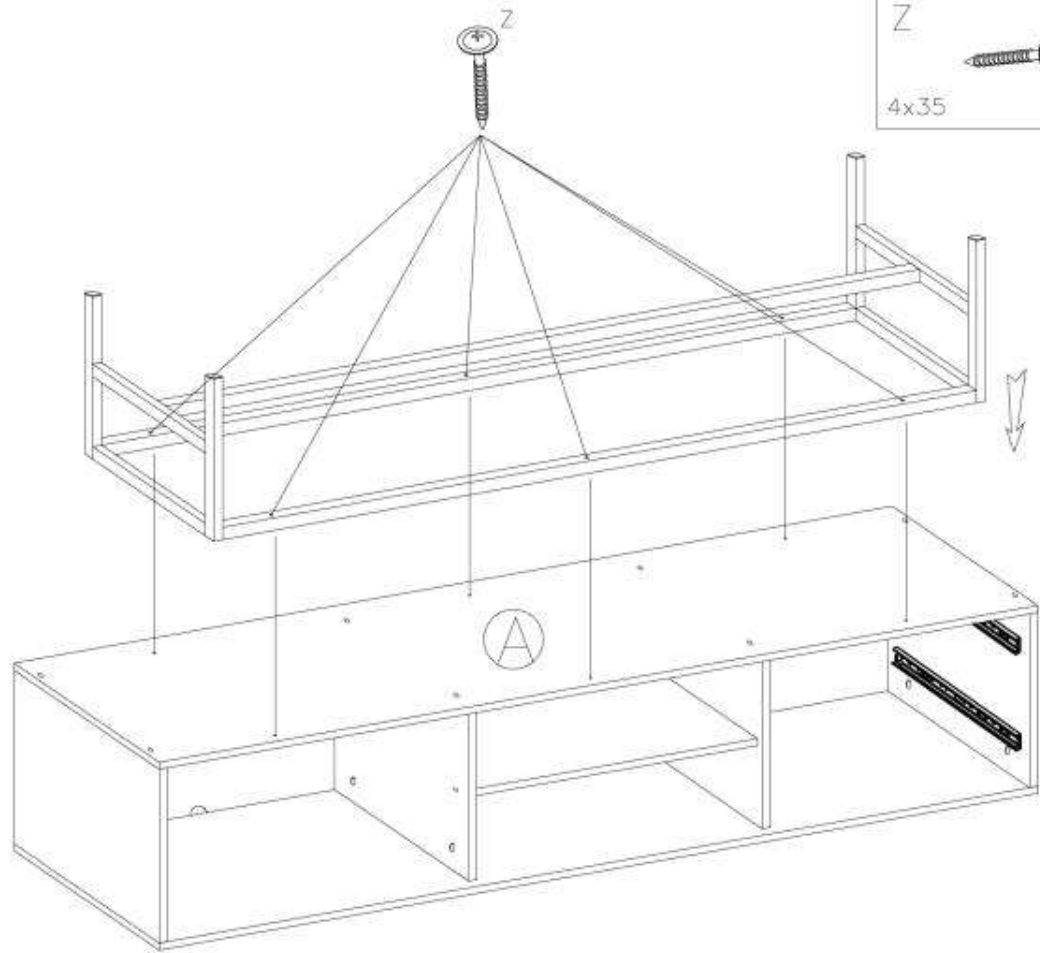


7

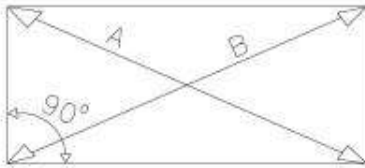
Z14		Z15		Z16	
	5mm	1x	ø14	6x	6x20
					6x



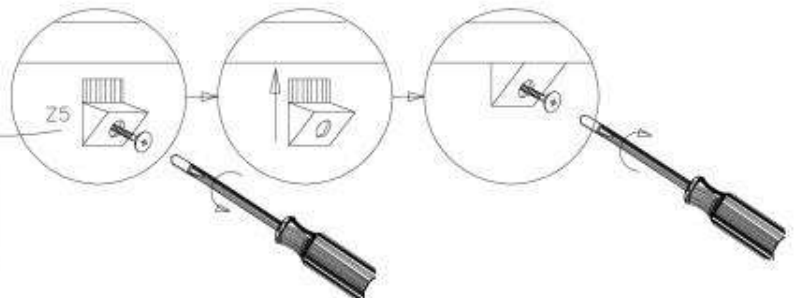
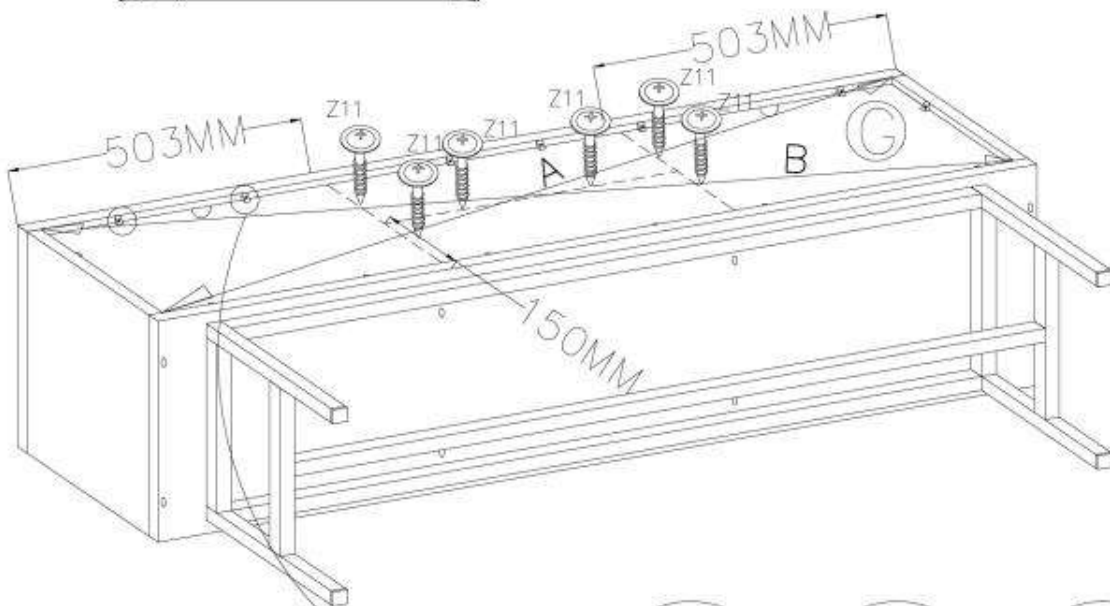
8



9



A=B

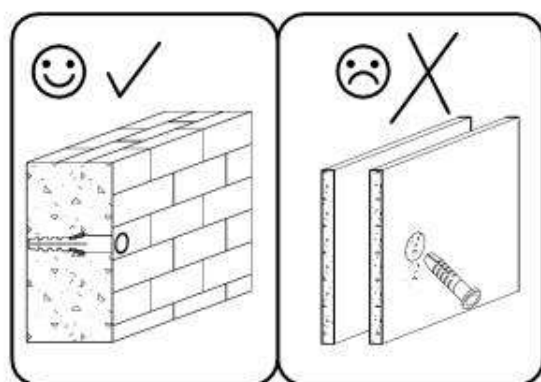
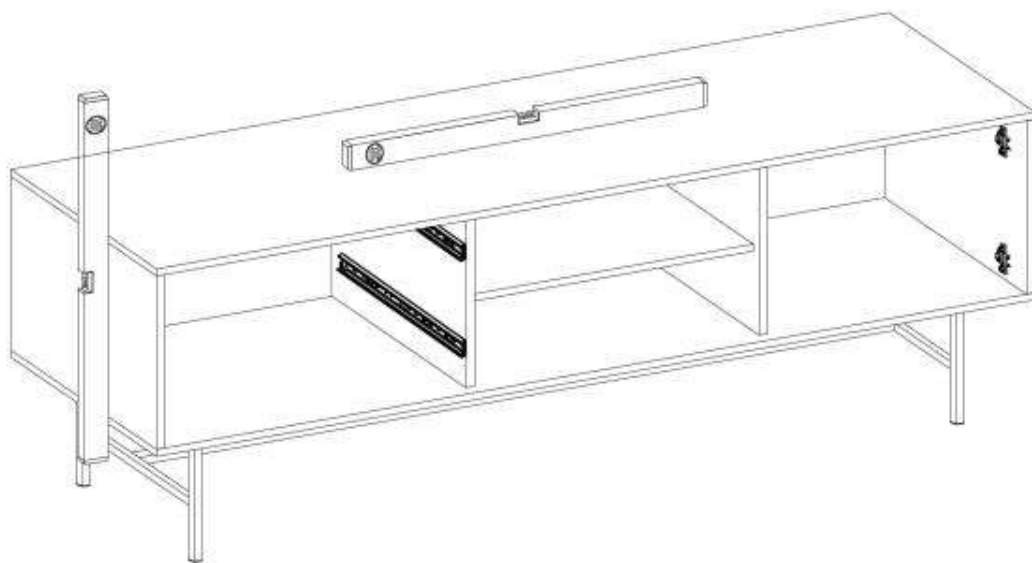
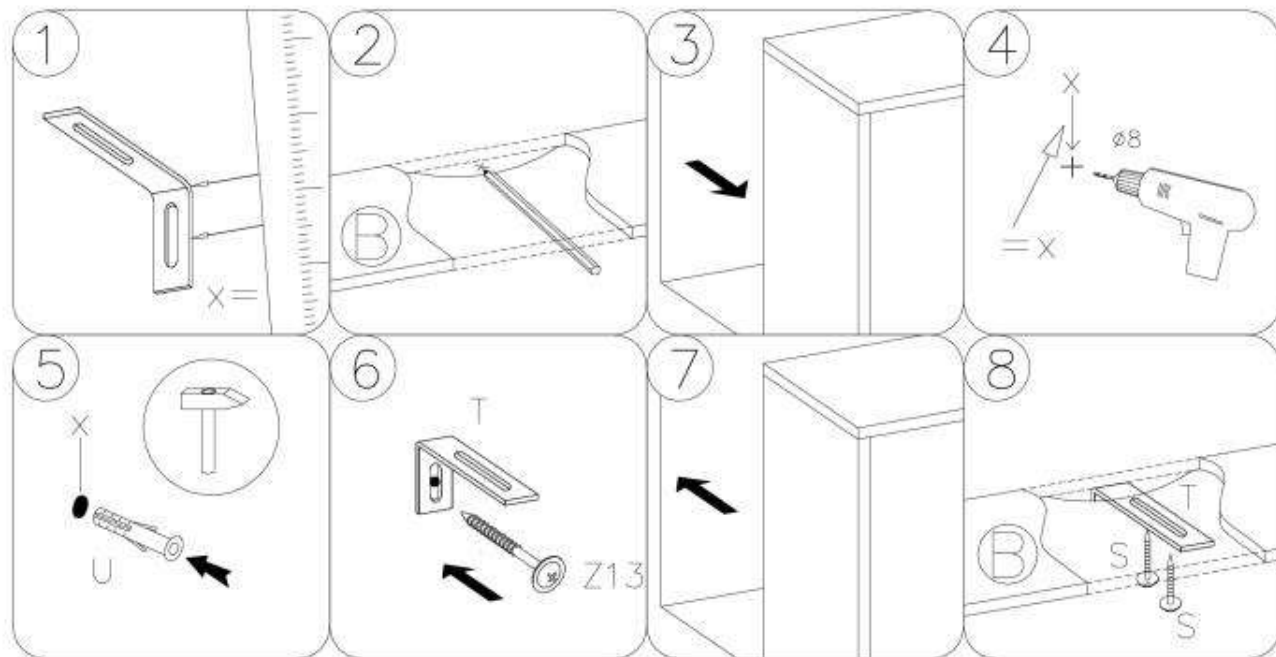


6/11

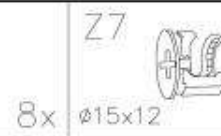
NOWOŚĆ

10

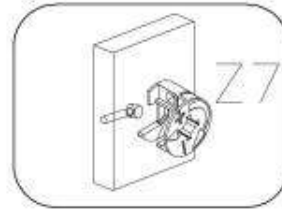
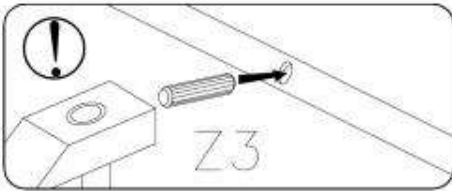
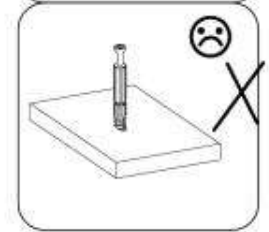
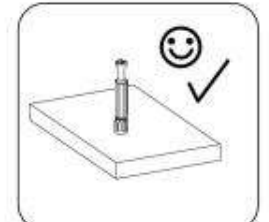
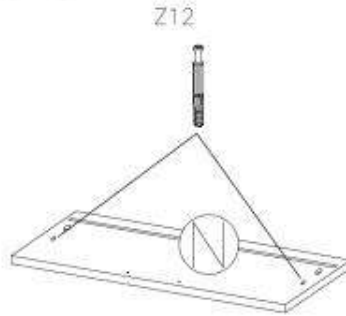
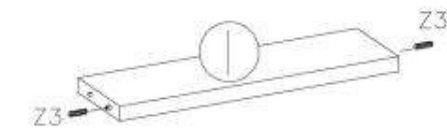
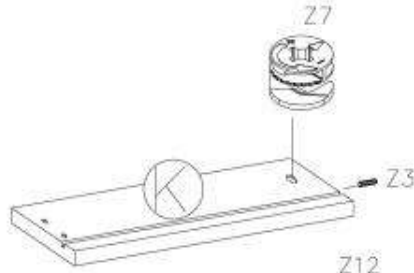
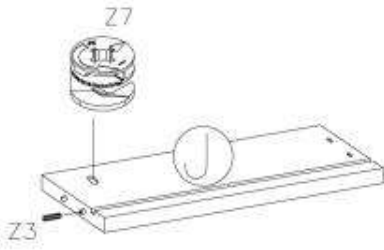
T  2x	S  4x16	U  4x $\varnothing 8 \times 40$	Z13  2x	4x40	2x
---------------------------------------------------------------------------------------	-----------------------------------------------------------------------------------------	-------------------------------------------------------------------------------------------------------------------	-------------------------------------------------------------------------------------------	------	----



11

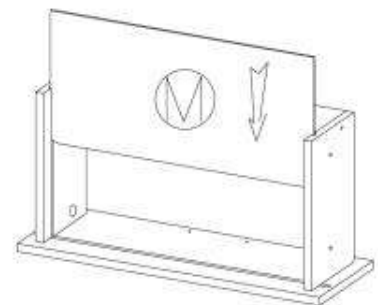
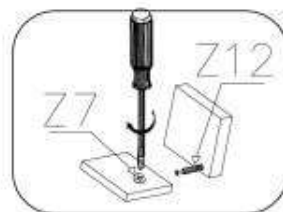
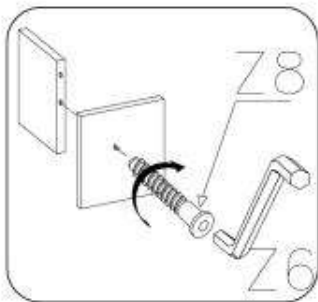
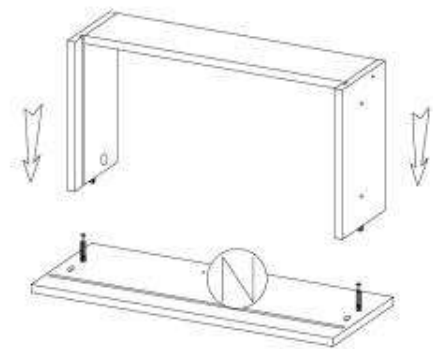
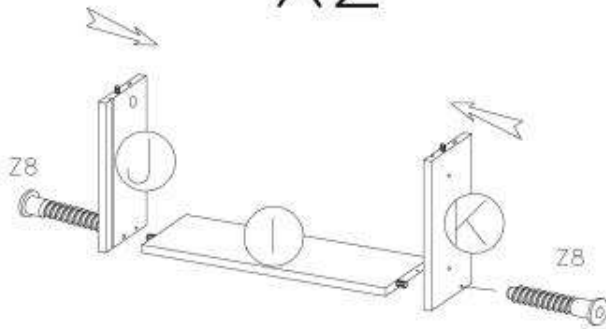


X2



12

X2



13

W
3.5x13
4x

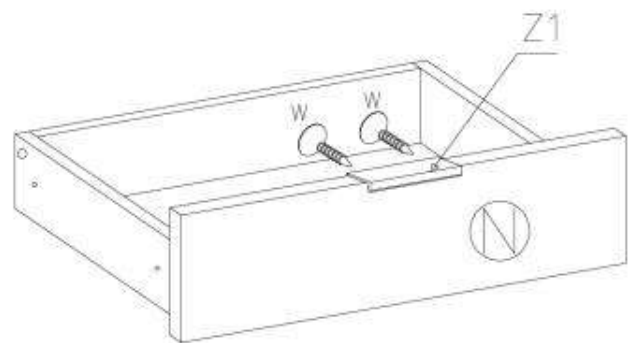
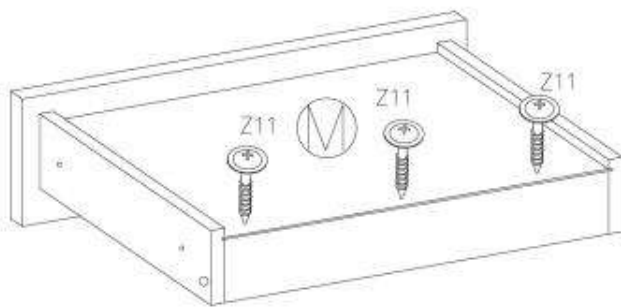
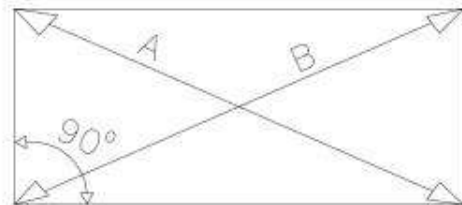
Z1
105mm
2x

Z11
3x16
6x

X2

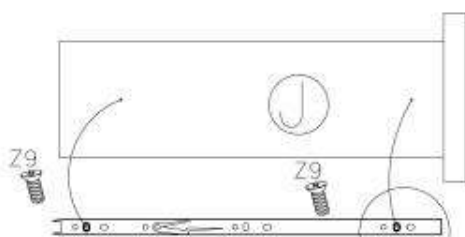
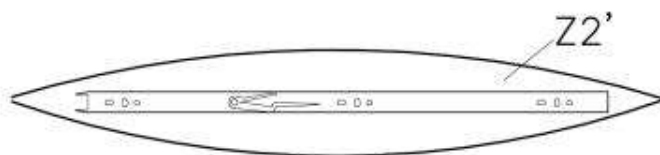


A=B

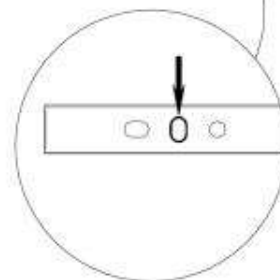
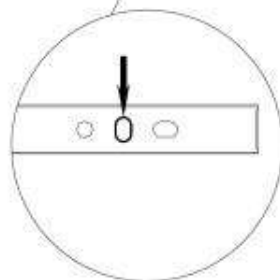
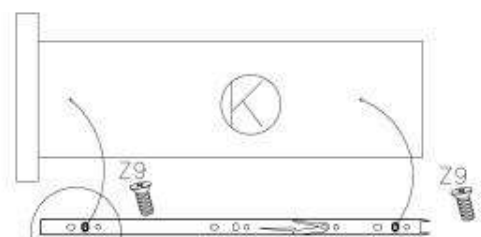


14

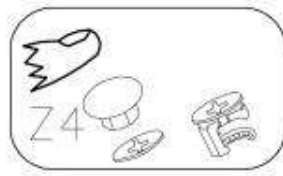
Z9
5x13
8x



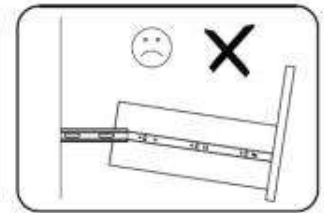
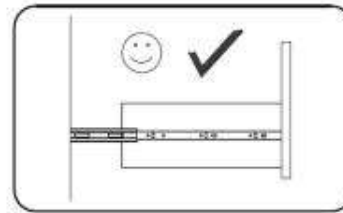
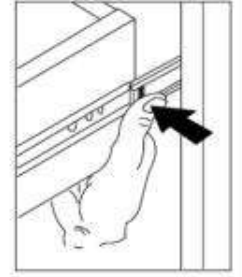
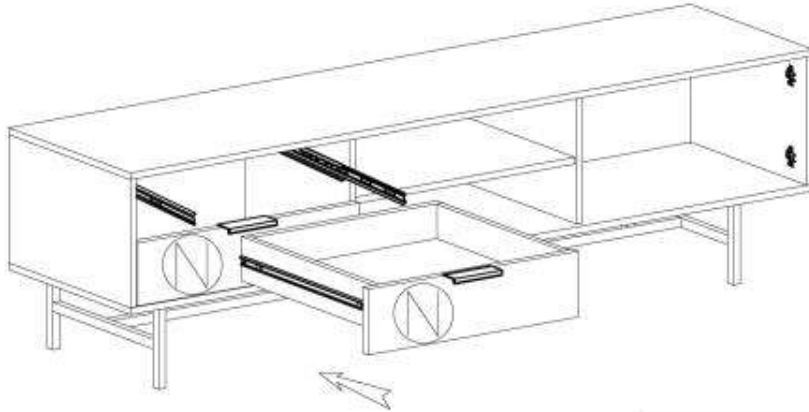
X2



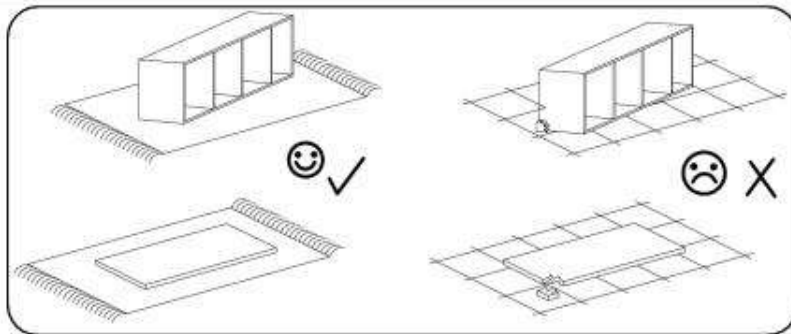
15



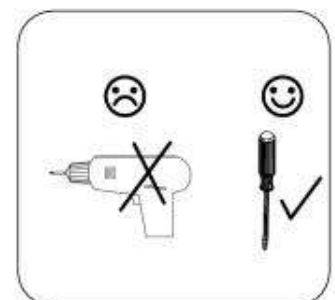
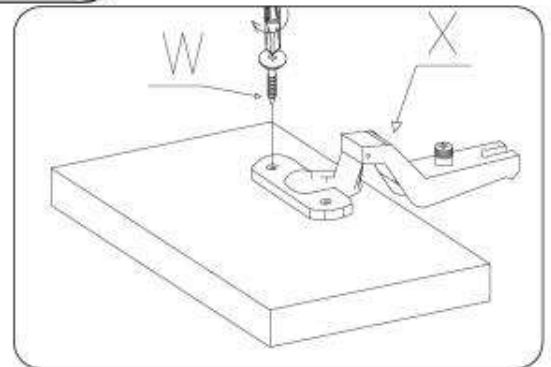
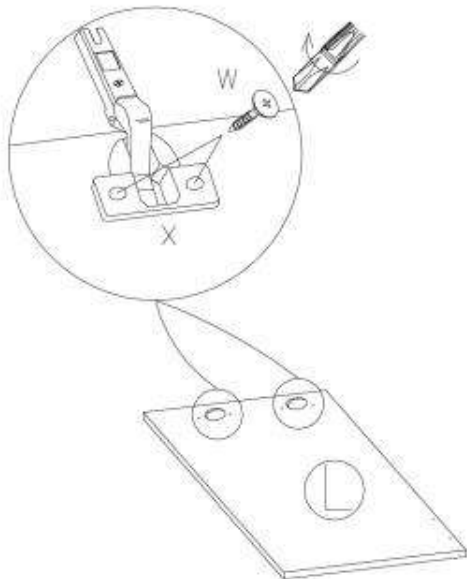
Z4
 ø18 12x



16



W
 3.5x13 4x
 X
 KR-15 2x



17

W

3.5x13



2x

Z1

105mm



1x

