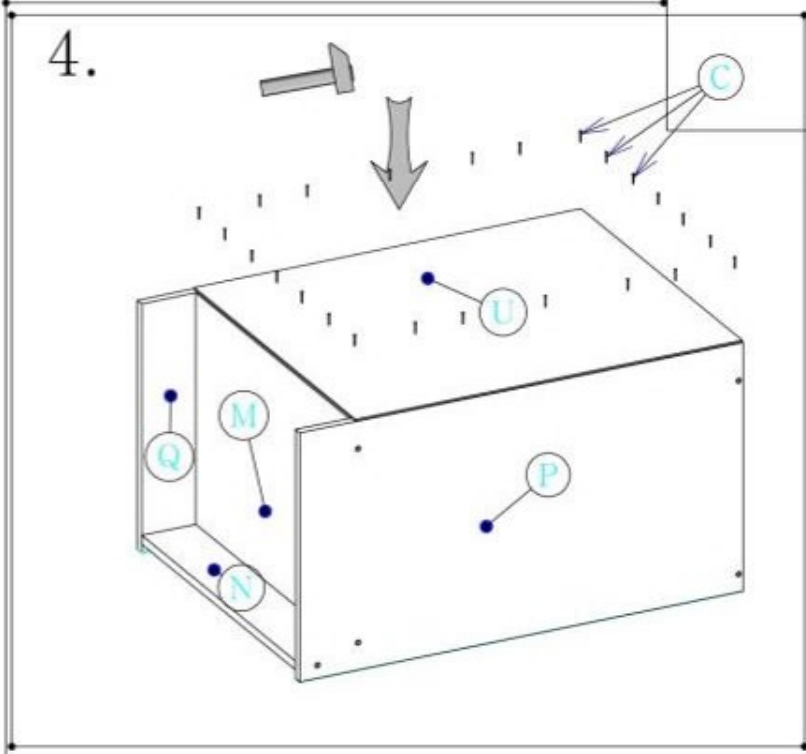
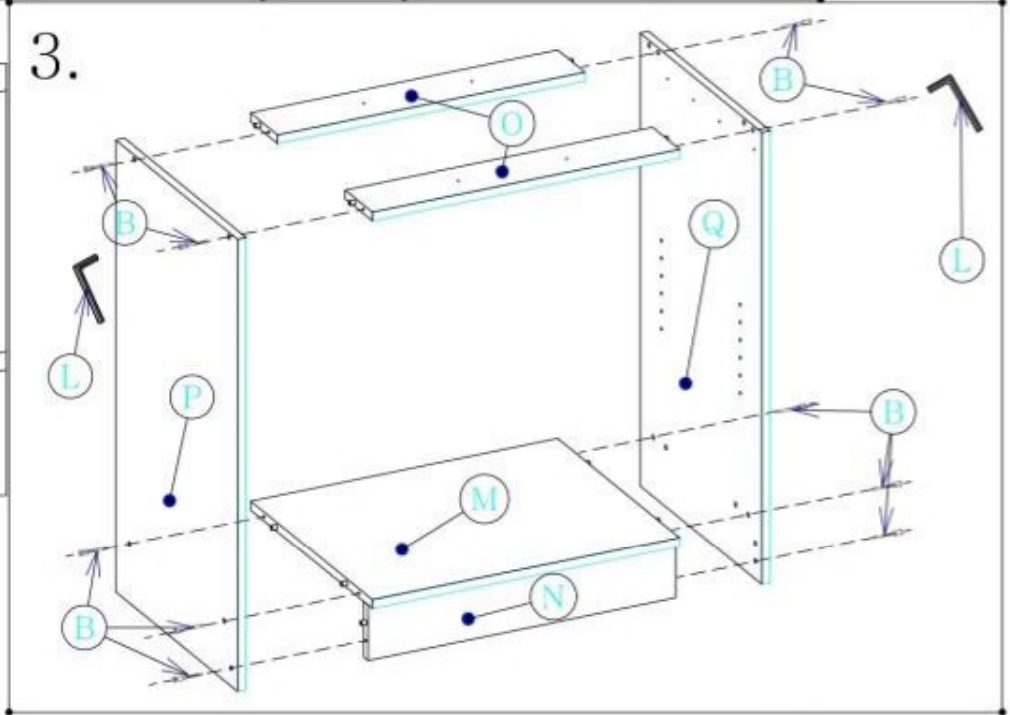
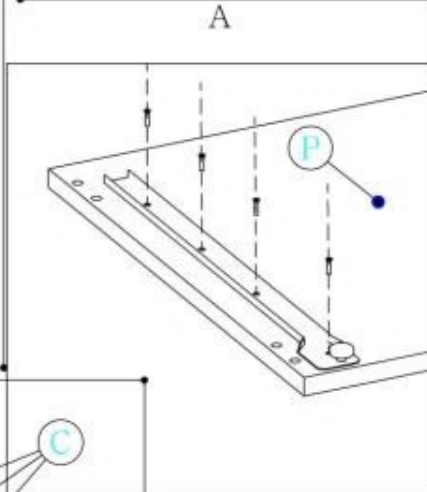
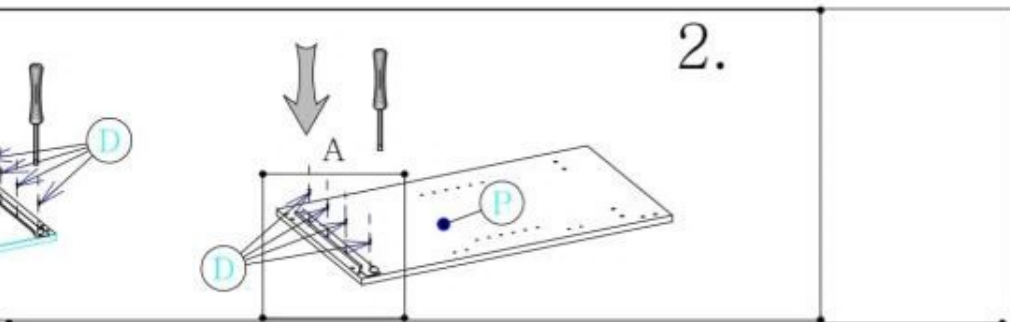
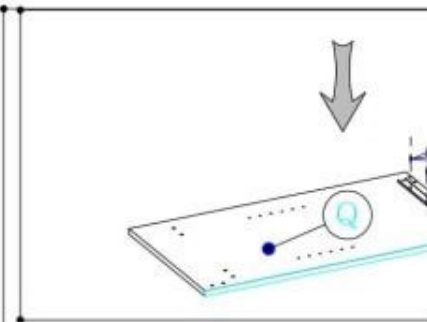
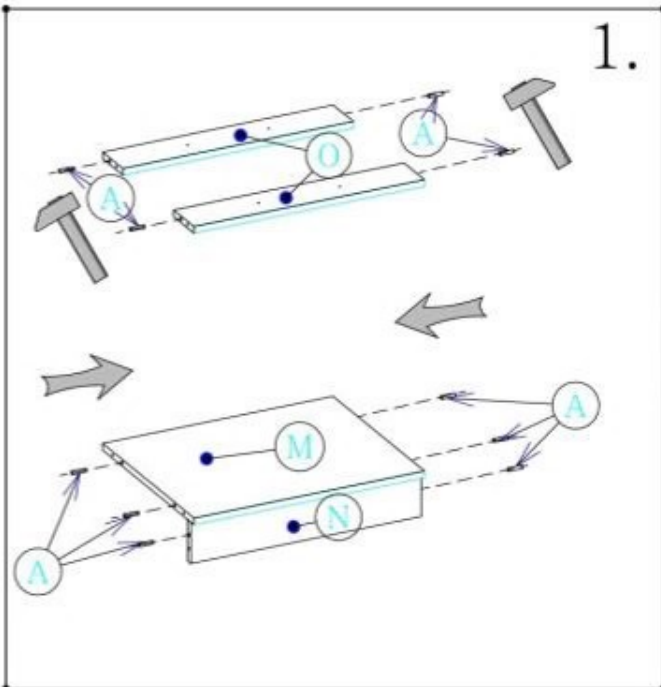
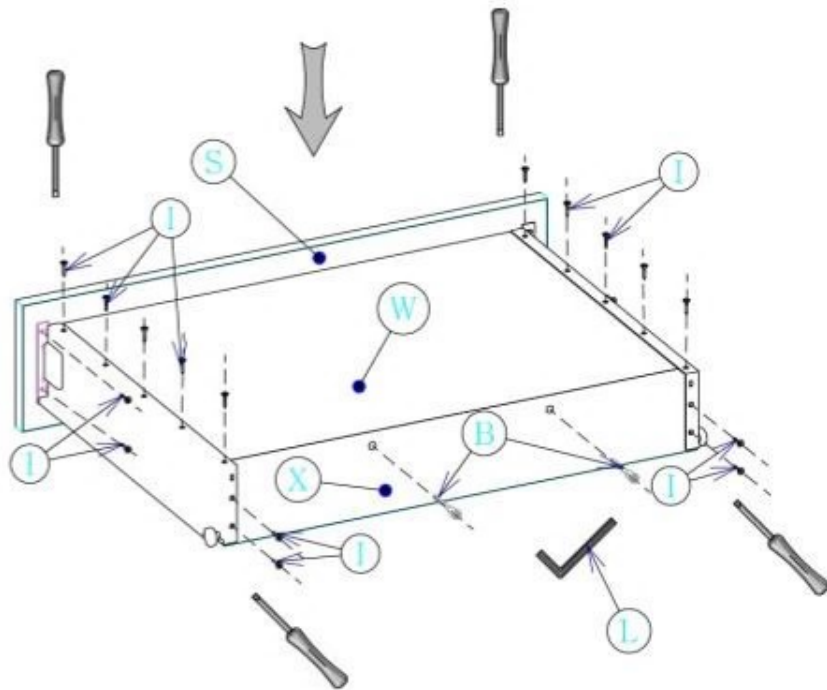


Assembly Instructions		1/1
D40-S1 D1 BL	External tools needed for assembly:hammer,screwdriver	
	Optional tools :Power drill with screwdriver bit	
240cm	Please follow steps	

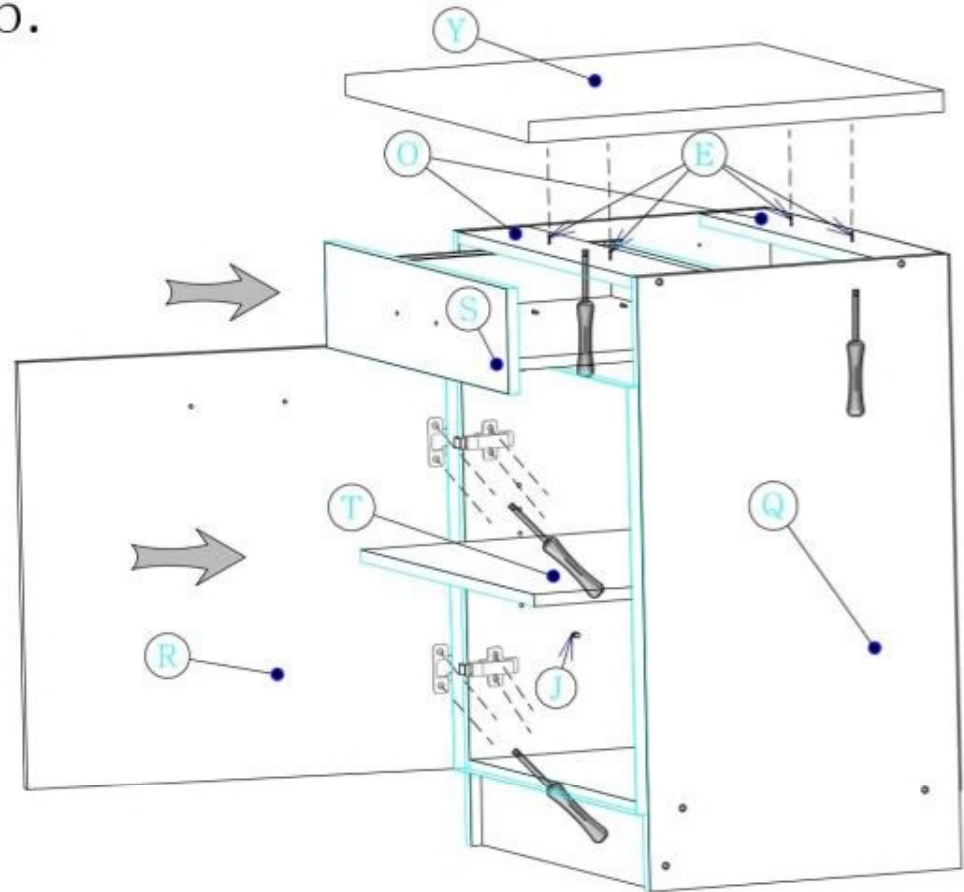


Assembly Instructions	1/2
D40-S1/D1/BL	External tool needed for assembly: hammer, screwdriver
	Optional tool : Power drill with screwdriver bit
240 cm	Follow steps 1 to 7

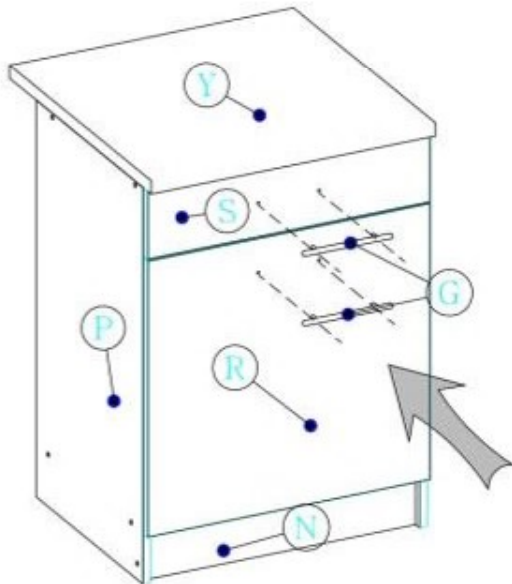
5.



6.



7.



Assembly Instructions

2/2

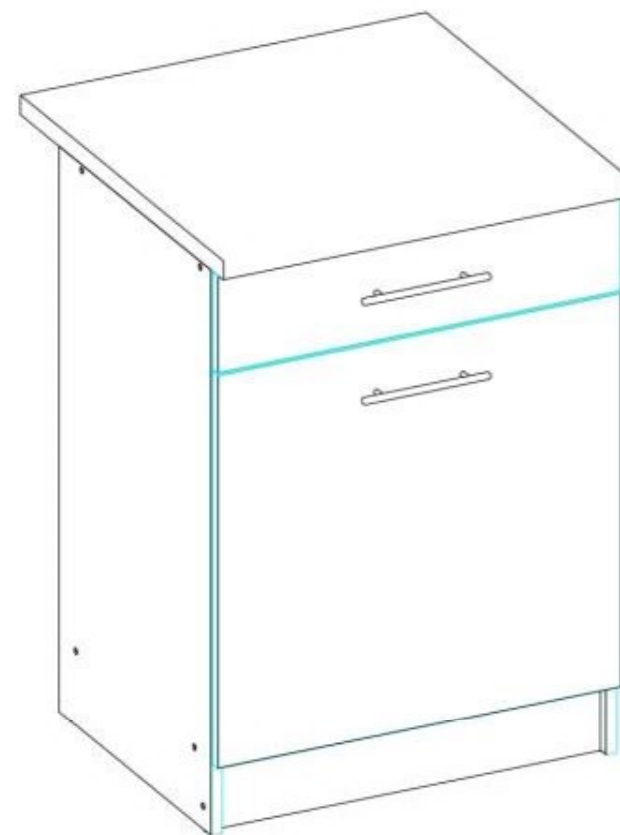
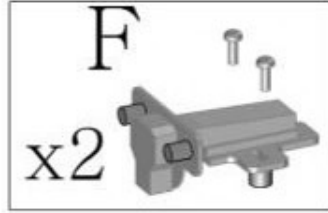
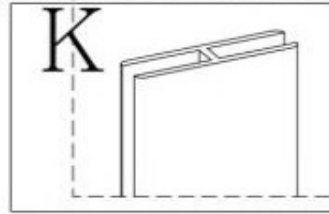
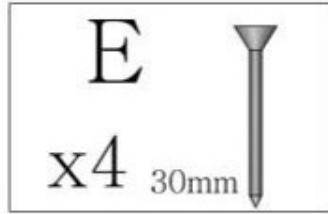
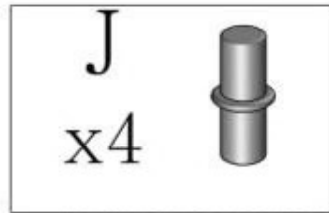
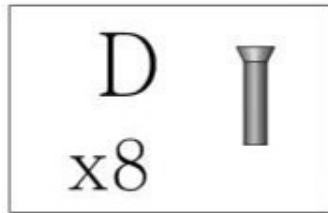
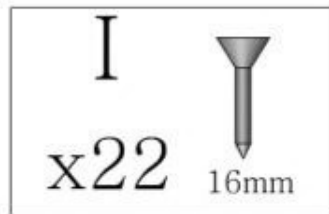
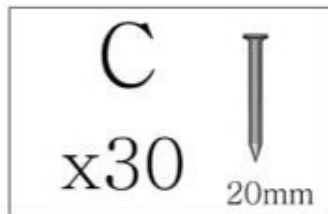
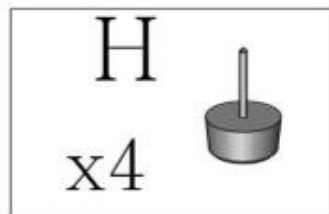
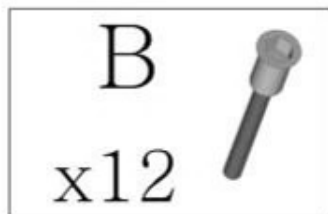
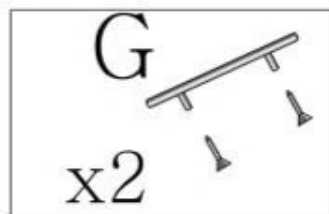
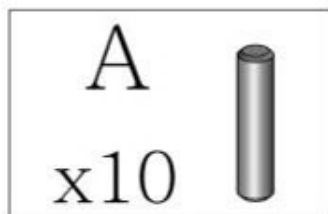
D40-S1/D1/BL

External tool needed for assembly: hammer, screwdriver

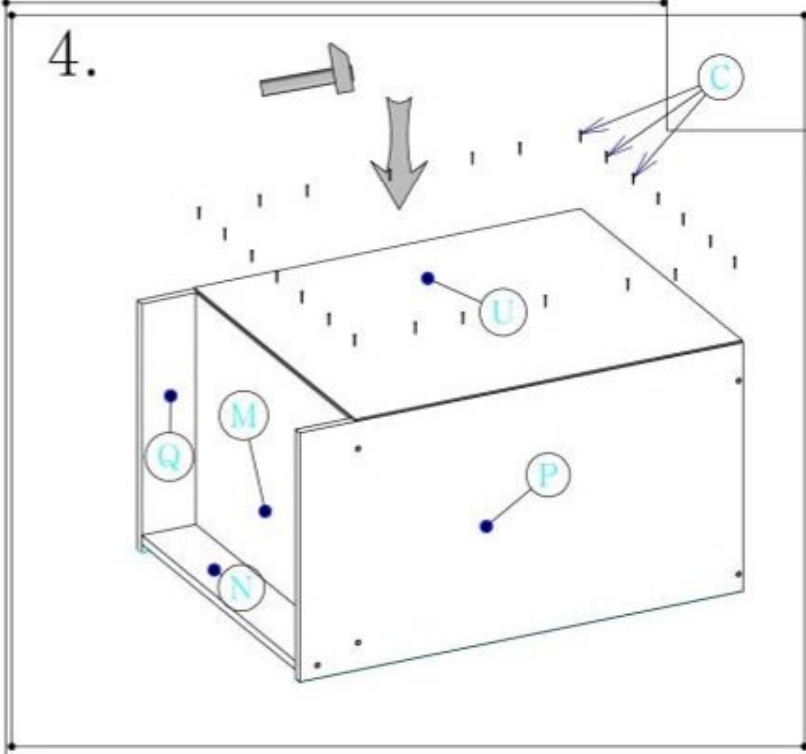
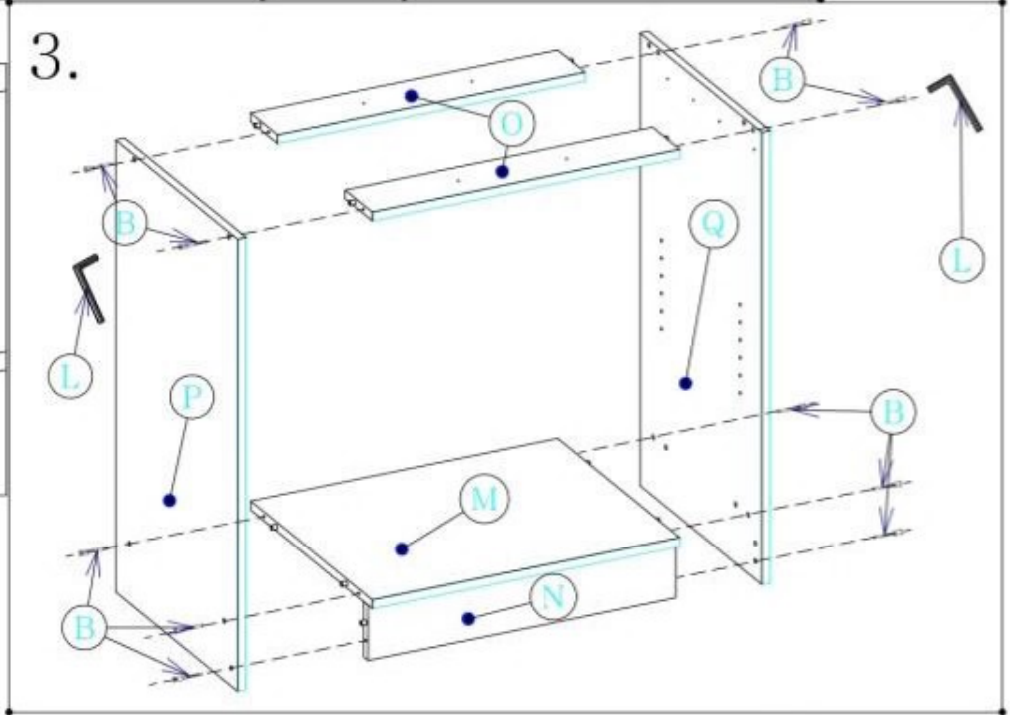
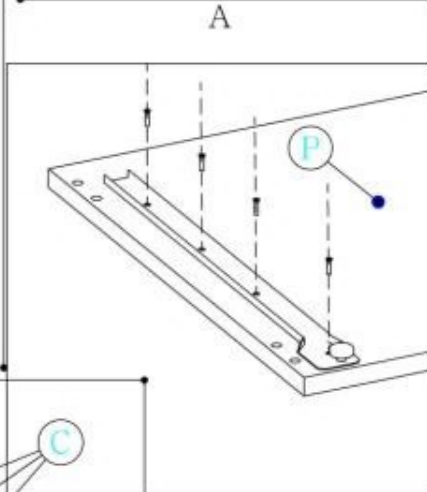
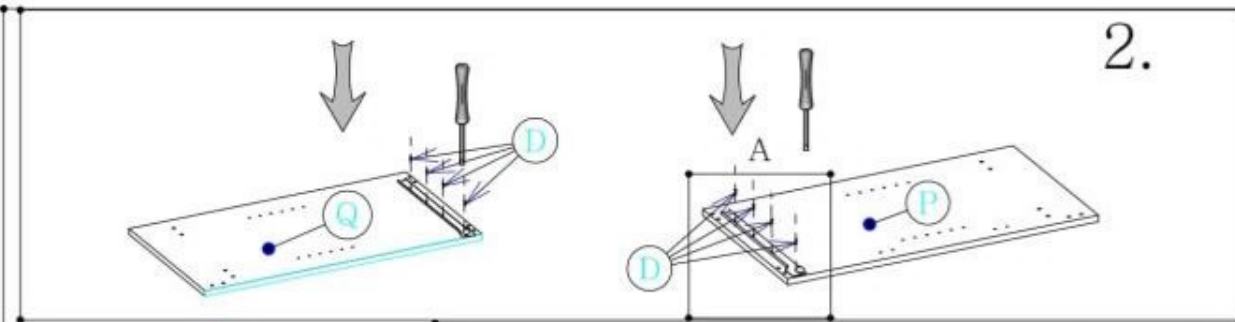
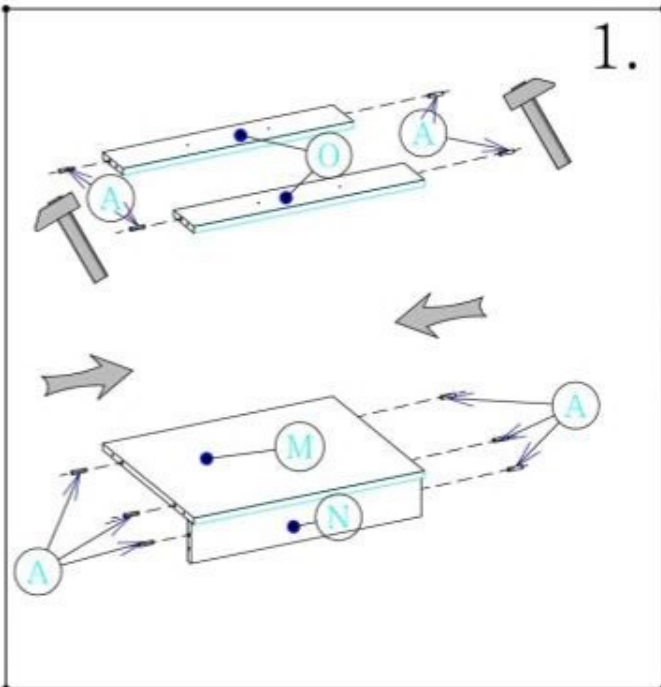
Optional tool : Power drill with screwdriver bit

240 cm

Follow steps 1 to 7

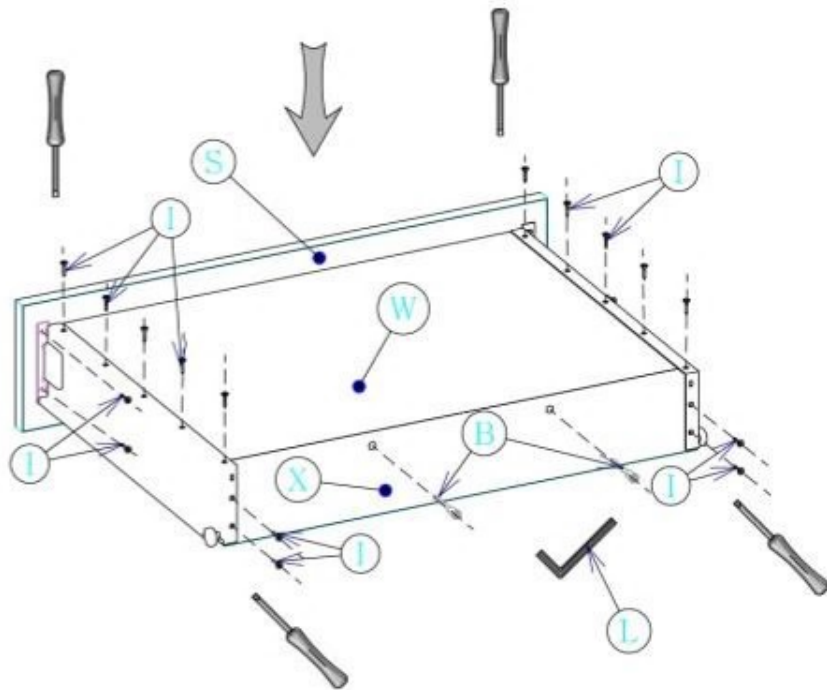


Assembly Instructions		1/1
D60-S1 D1 BL	External tools needed for assembly:hammer,screwdriver	
	Optional tools :Power drill with screwdriver bit	
240cm	Please follow steps	

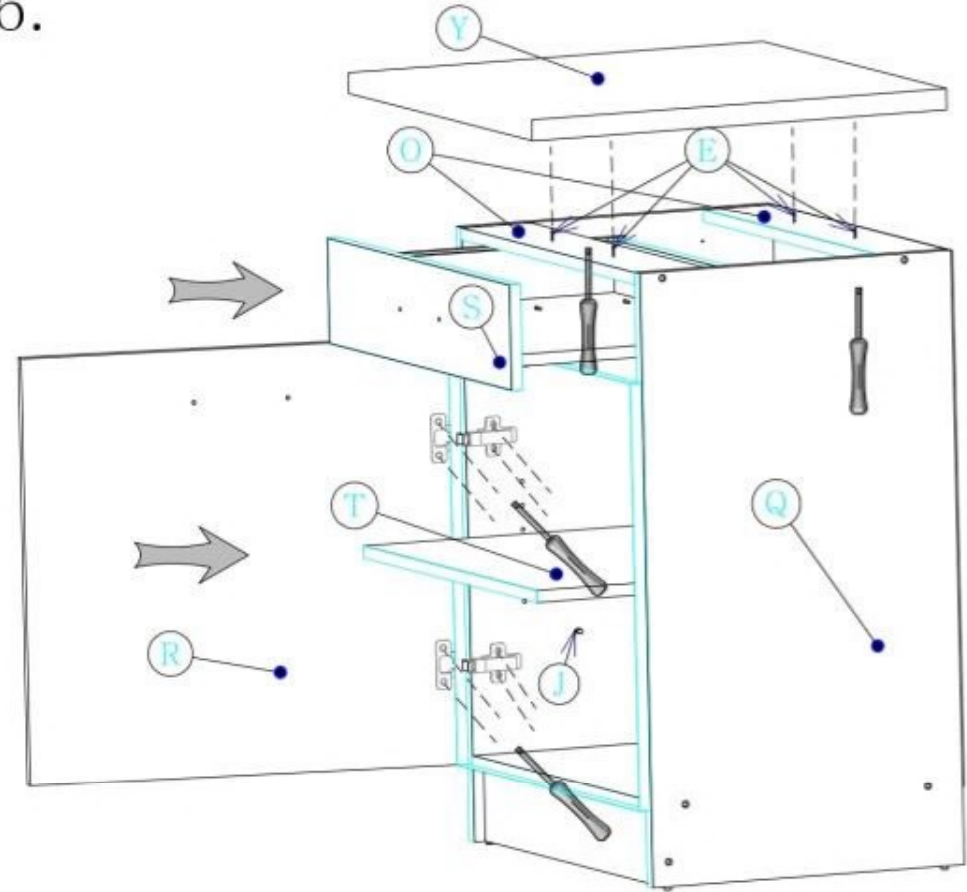


Assembly Instructions	1/2
D60-S1/D1/BL	External tool needed for assembly: hammer, screwdriver
	Optional tool : Power drill with screwdriver bit
240 cm	Follow steps 1 to 7

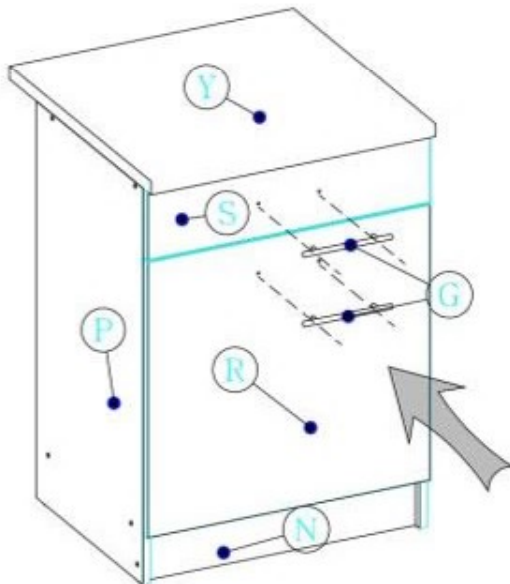
5.



6.



7.



Assembly Instructions

2/2

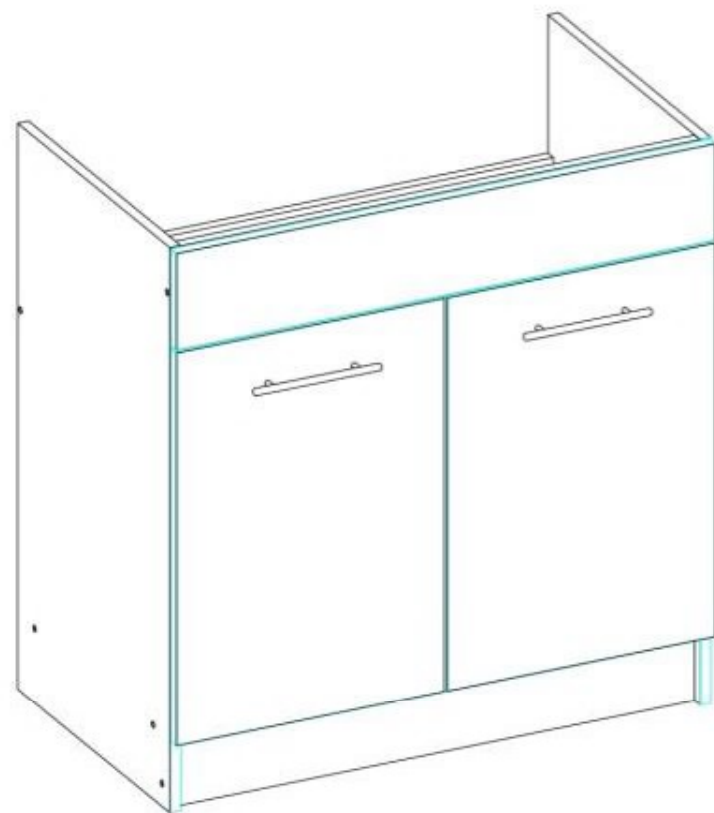
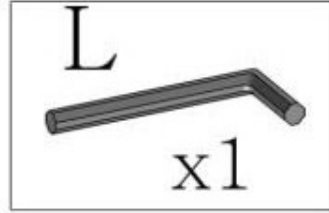
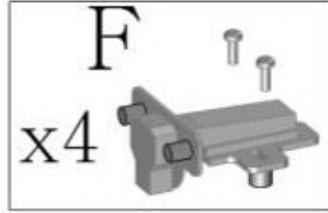
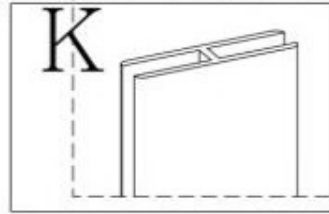
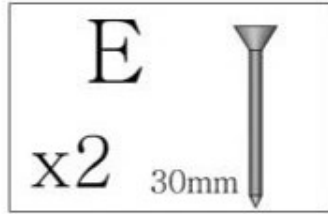
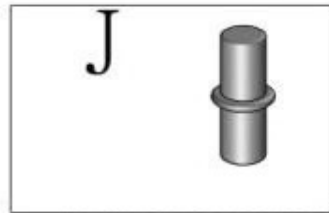
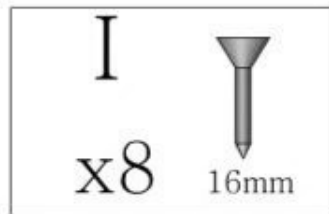
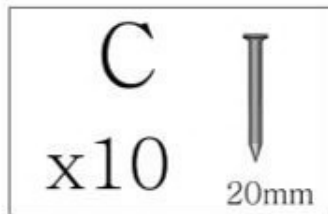
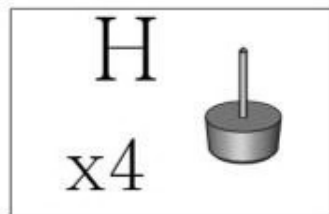
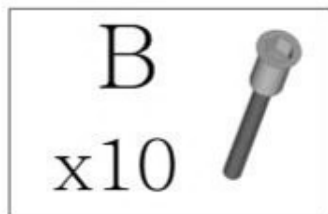
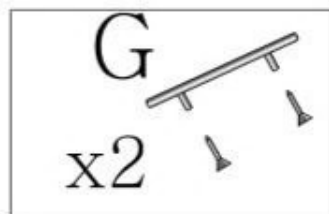
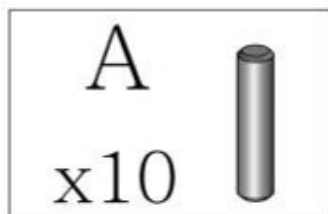
D60-S1/D1/BL

External tool needed for assembly: hammer, screwdriver

Optional tool : Power drill with screwdriver bit

240 cm

Follow steps 1 to 7



Assembly Instructions	1/1
D80ZL	External tools needed for assembly:hammer,screwdriver
	Optional tools :Power drill with screwdriver bit
240cm	Please follow steps

1. Attach side panels (A) to the top rail (O) and bottom rail (N).

2. Attach the back panel (B) to the side panels (A) and bottom rail (N).

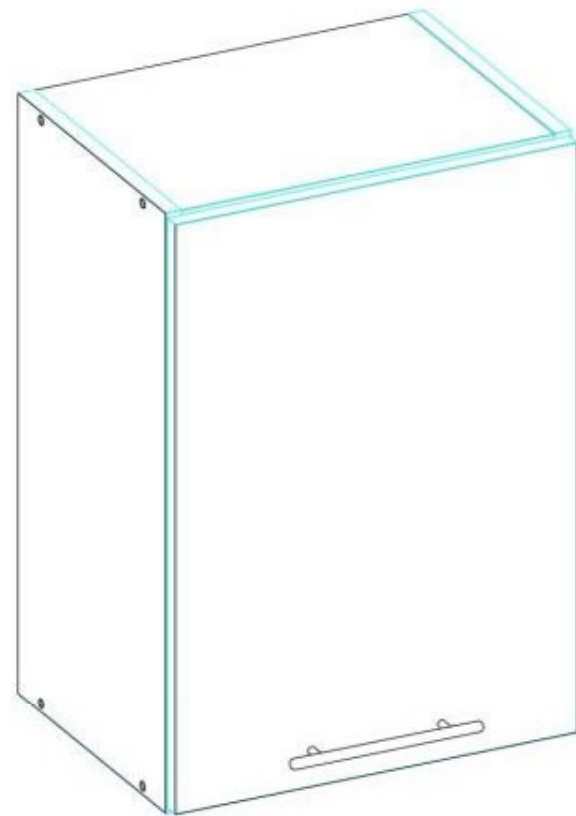
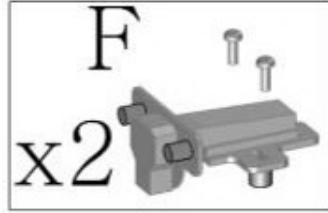
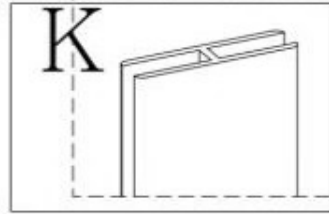
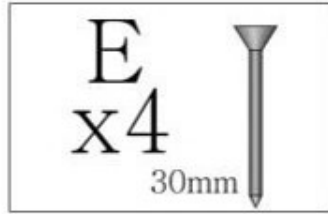
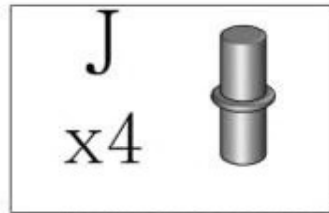
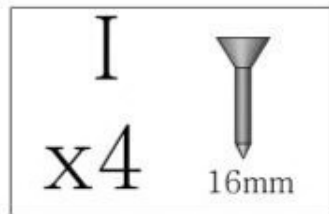
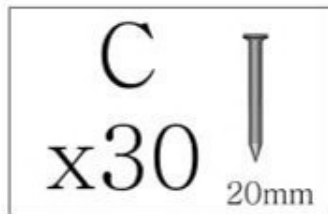
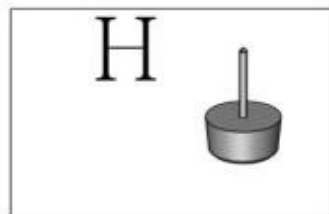
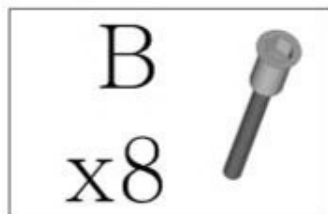
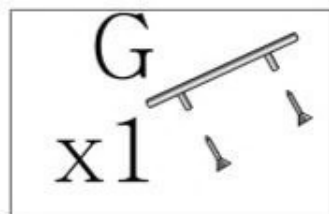
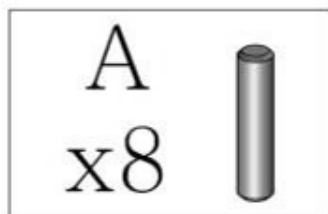
3. Attach the front panel (G) to the side panels (A) and bottom rail (N).

4. Attach the top panel (P) to the side panels (A) and back panel (B).

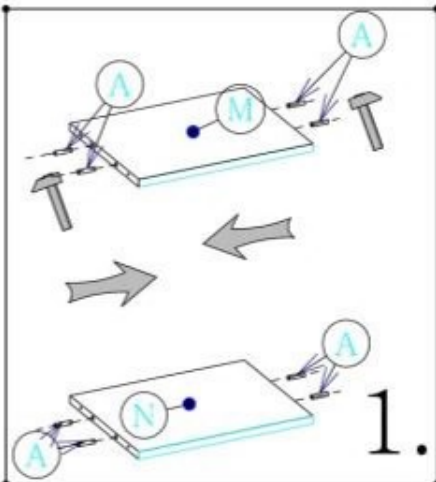
5. Attach the middle shelf (M) to the side panels (A) and back panel (B).

6. Attach the bottom panel (H) to the side panels (A) and back panel (B).

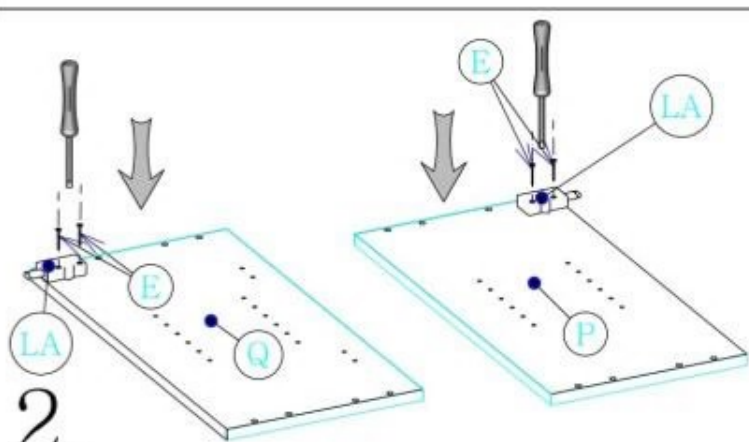
Assembly Instructions		1/1
D80ZL	External tool needed for assembly: hammer, screwdriver	
	Optional tool : Power drill with screwdriver bit	
240 cm	Follow steps 1 to 6	



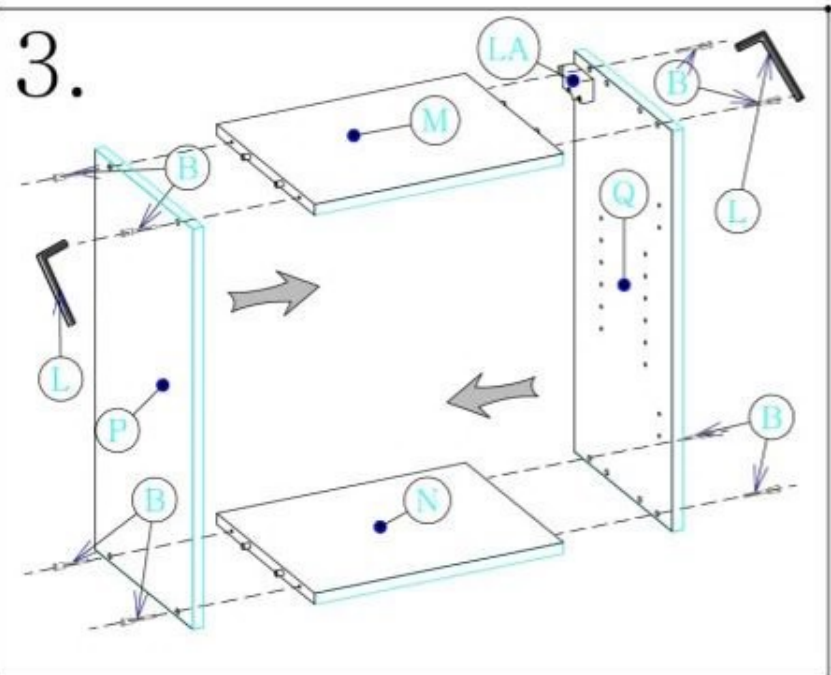
Assembly Instructions		1/1
G40_1	External tools needed for assembly:hammer,screwdriver	
	Optional tools :Power drill with screwdriver bit	
240cm	Please follow steps	



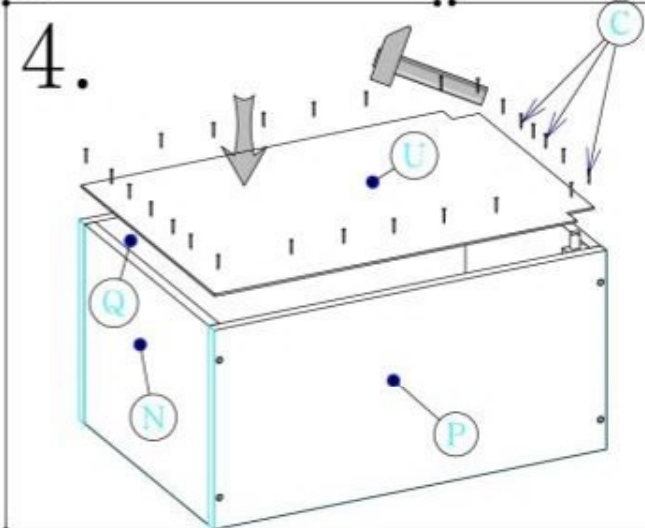
1.



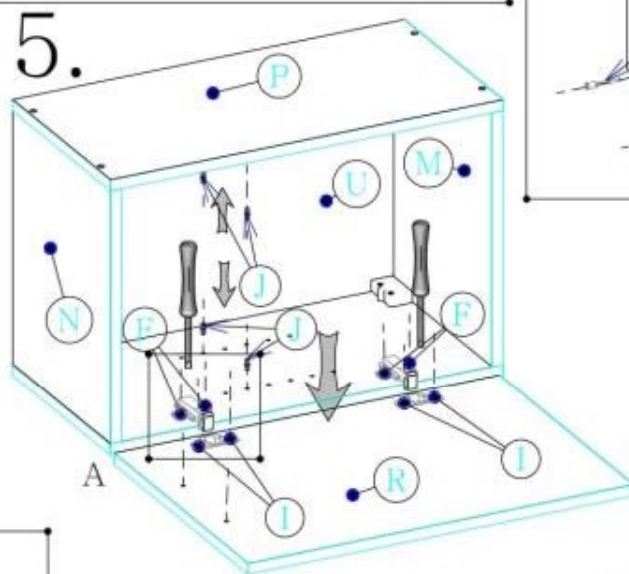
2.



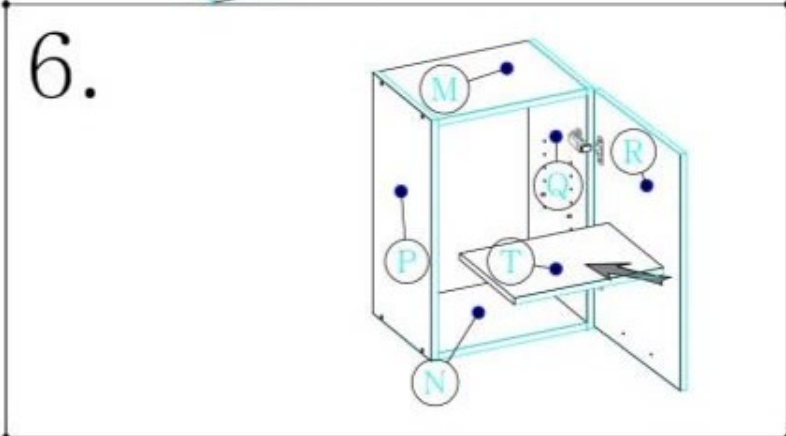
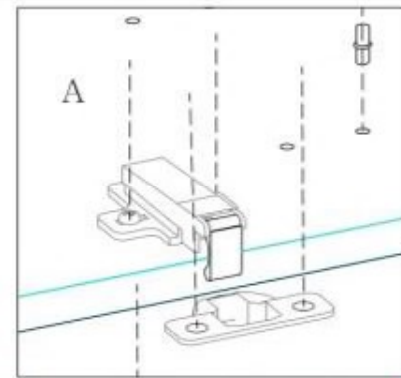
3.



4.

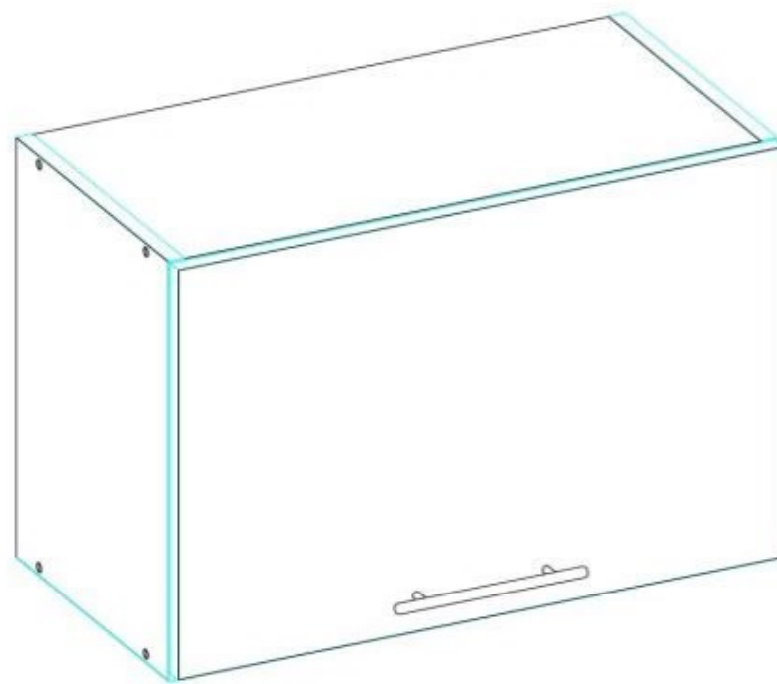
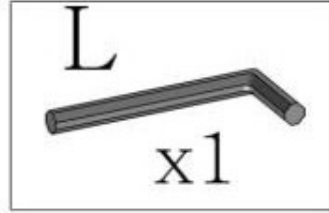
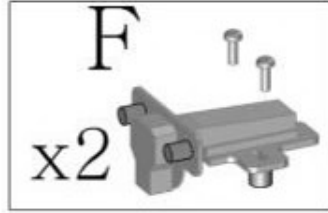
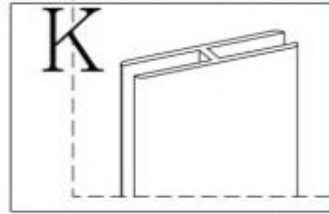
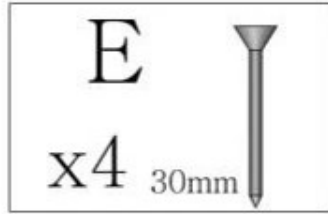
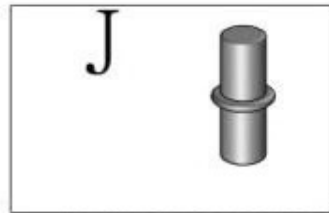
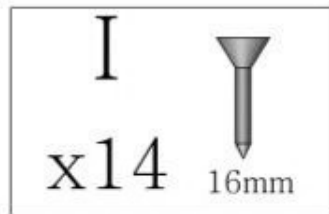
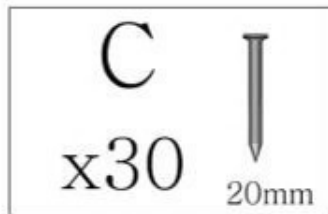
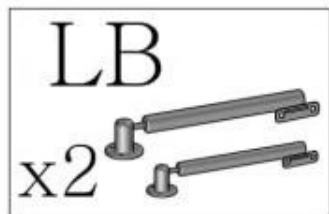
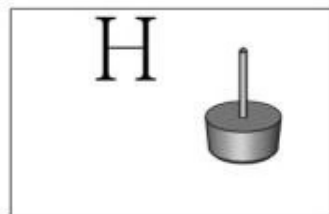
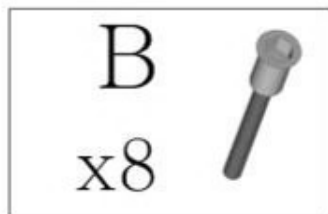
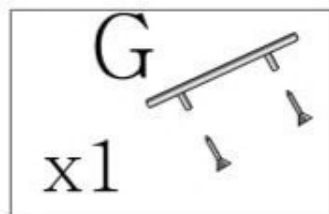
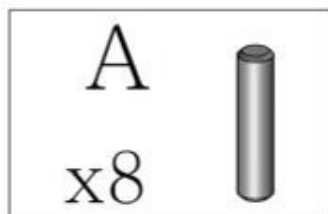


5.

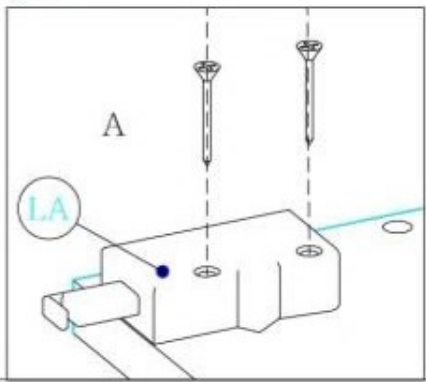
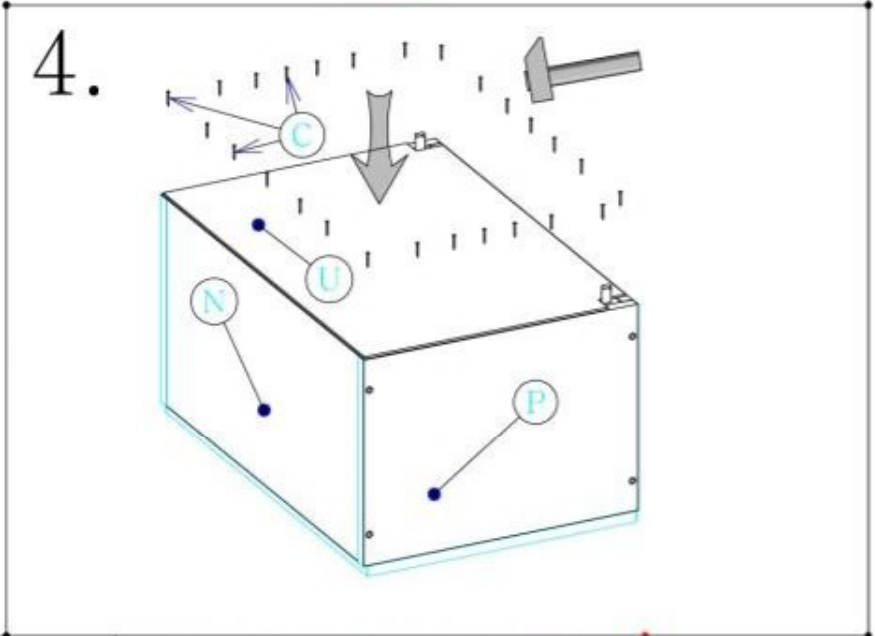
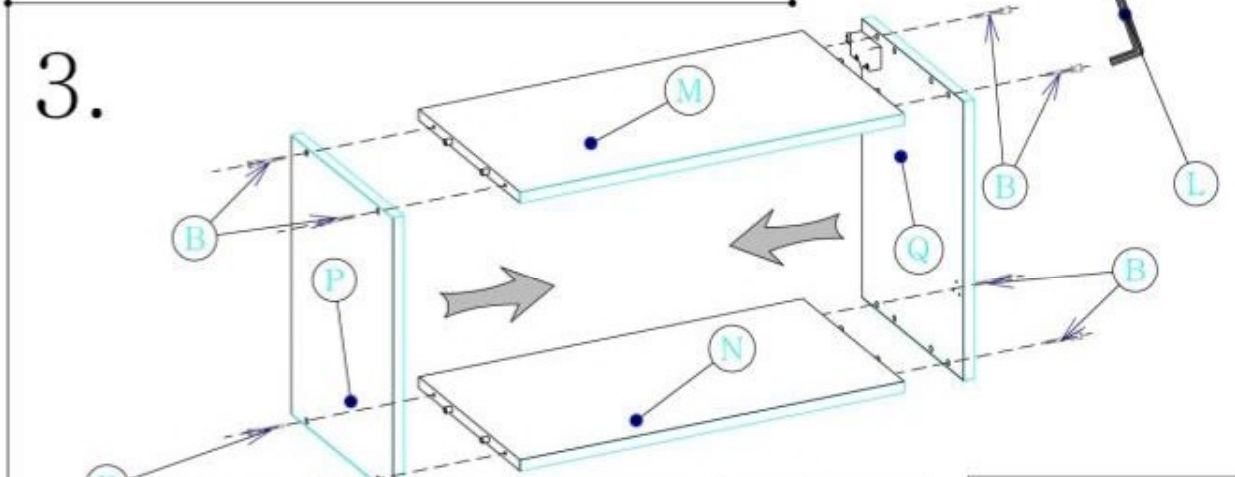
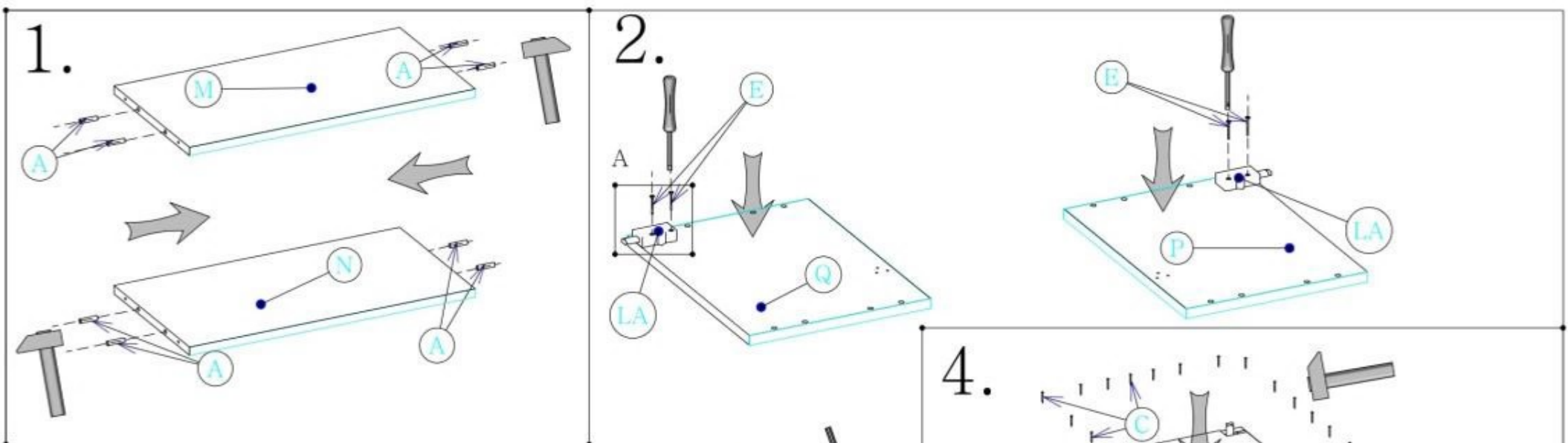


6.

Assembly Instructions		1/1
G40	External tools needed for assembly: hammer, screwdriver	
	Optional tools : Power drill with screwdriver bit	
240cm	Please follow steps	

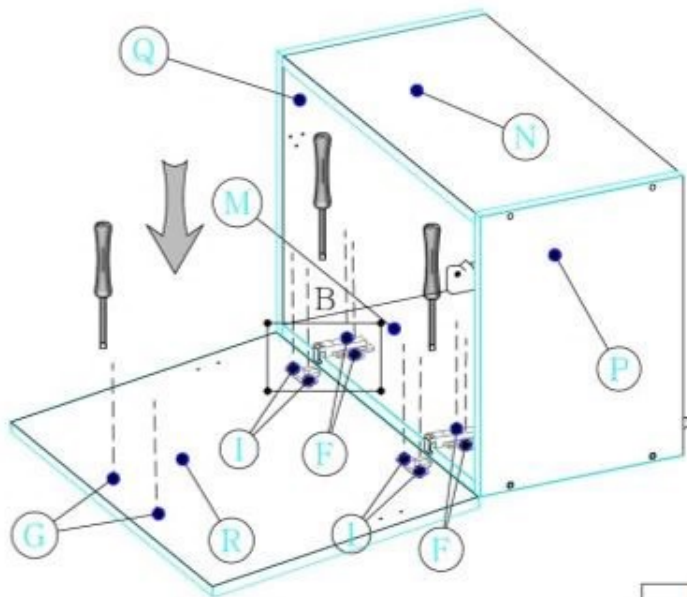


Assembly Instructions		1/1
G600K	External tools needed for assembly:hammer,screwdriver	
	Optional tools :Power drill with screwdriver bit	
240cm	Please follow steps	

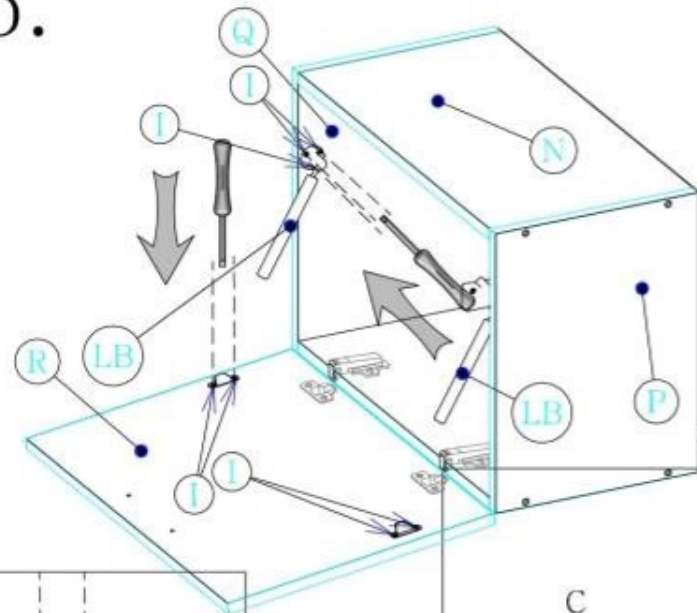


Assembly Instructions		1/2
G600K	External tool needed for assembly: hammer, screwdriver	
	Optional tool : Power drill with screwdriver bit	
240 cm	Follow steps 1 to 7	

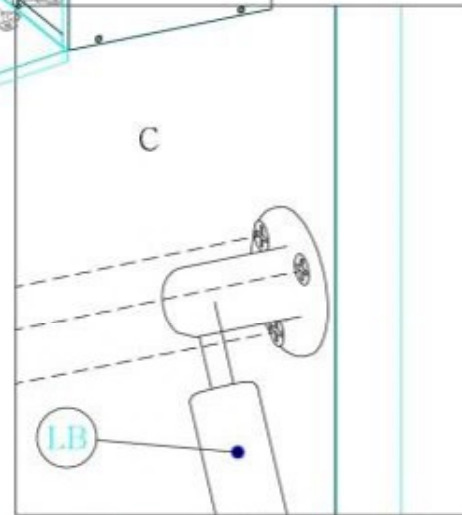
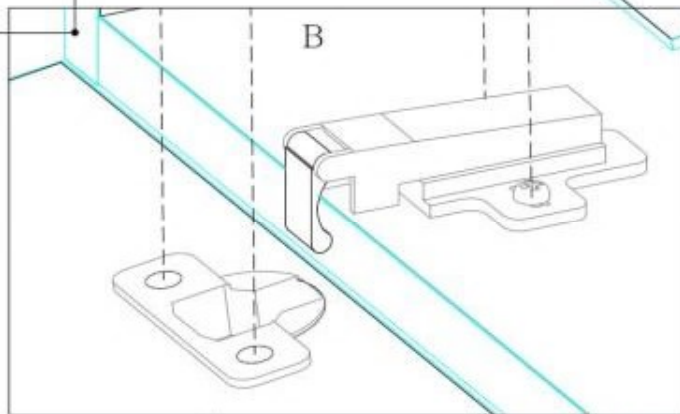
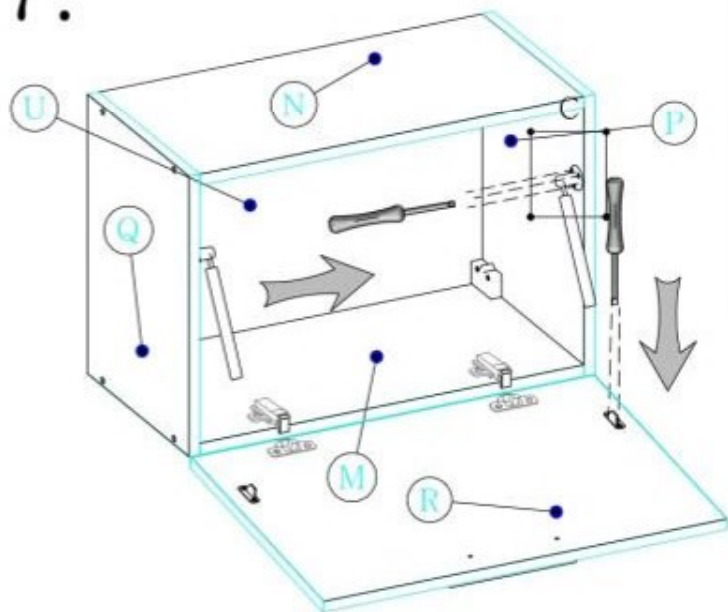
5.



6.



7.



Assembly Instructions

2/2

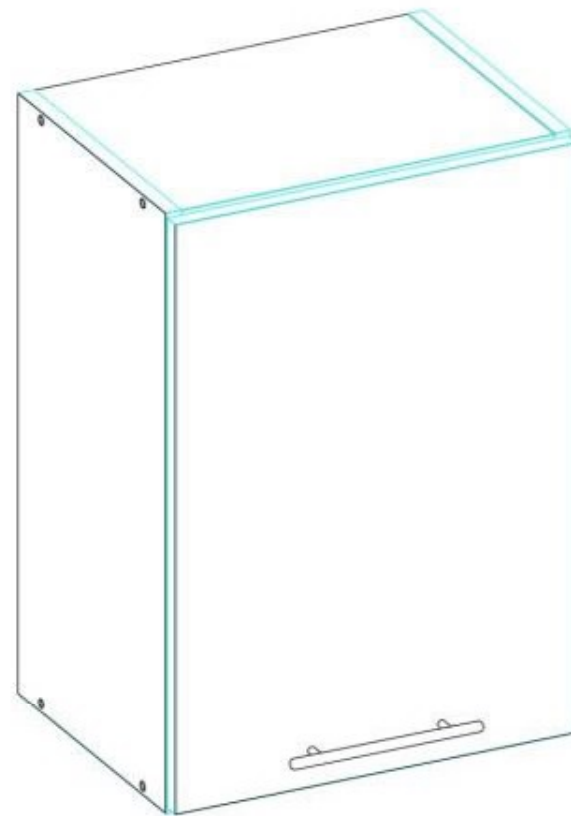
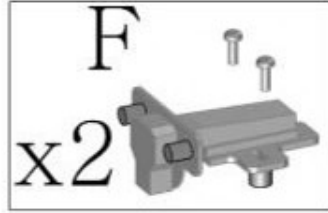
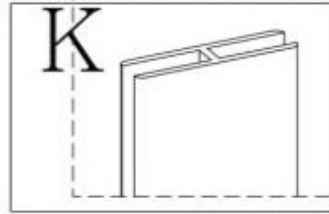
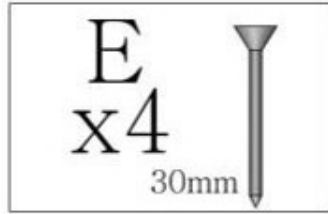
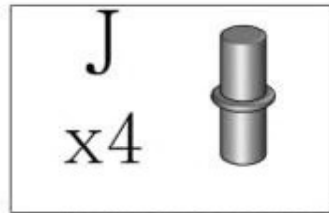
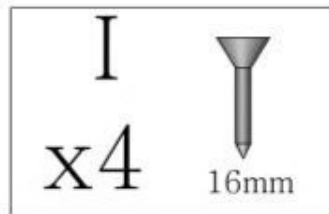
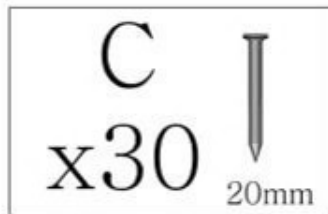
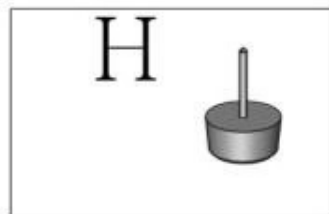
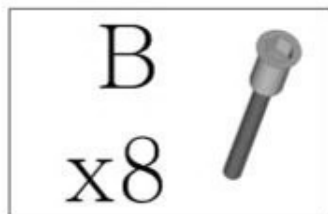
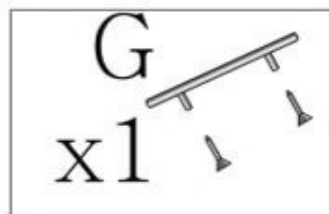
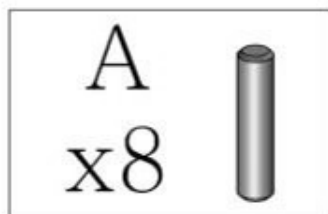
G600K

External tool needed for assembly: hammer, screwdriver

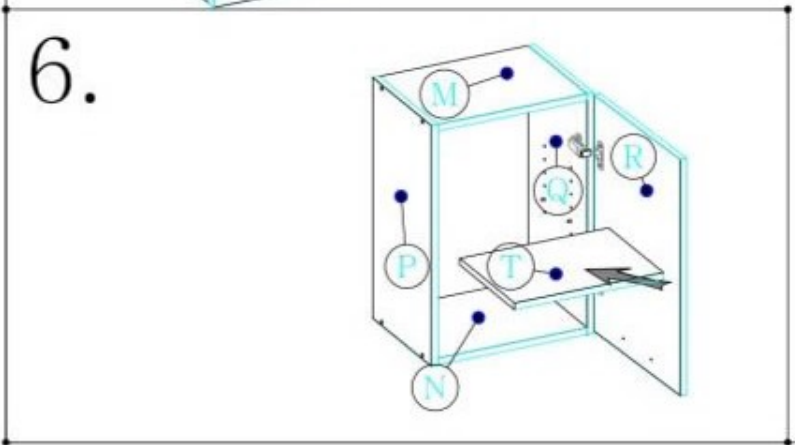
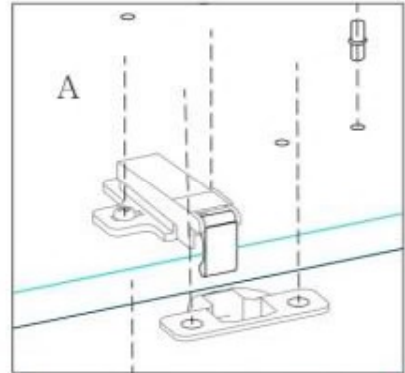
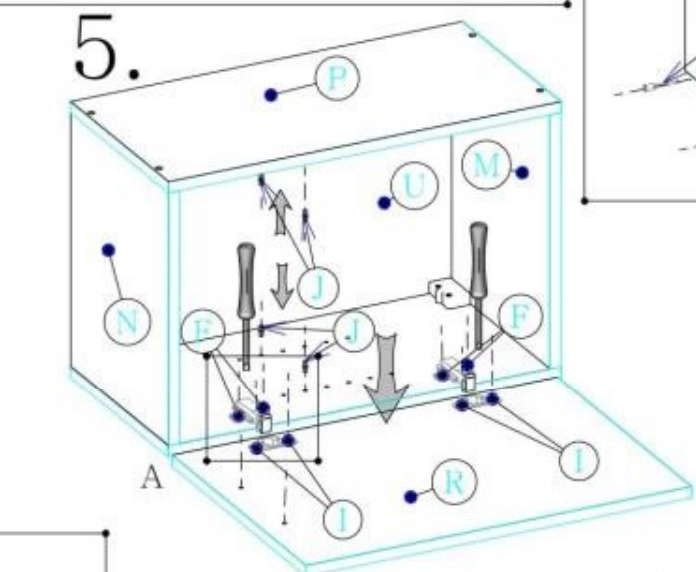
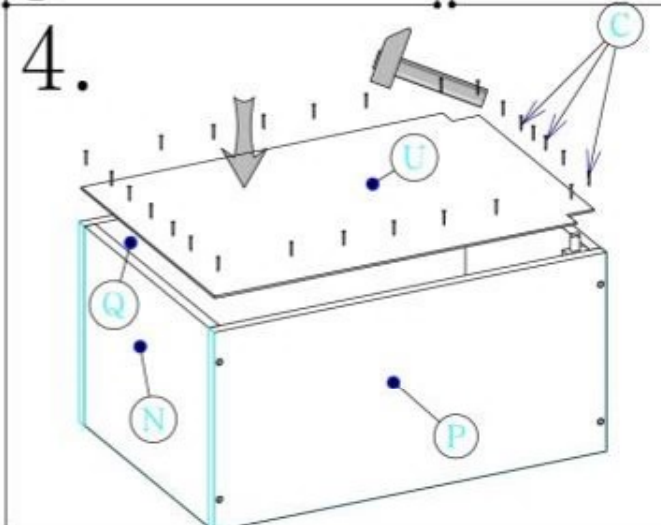
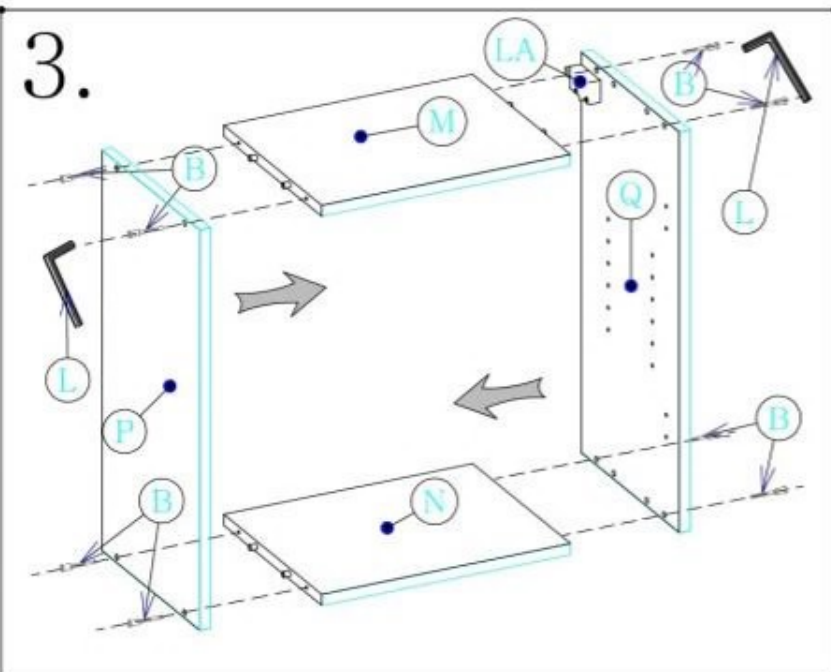
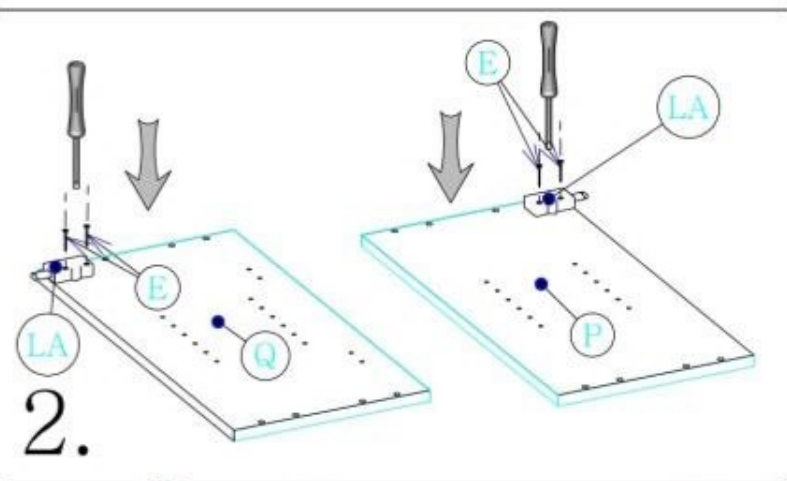
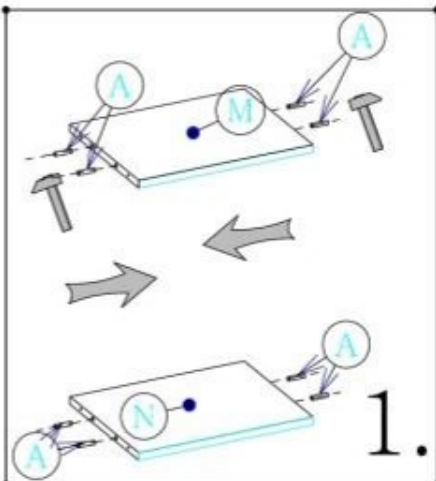
Optional tool : Power drill with screwdriver bit

240 cm

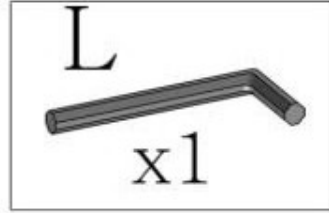
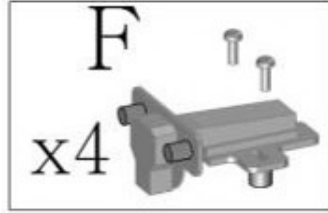
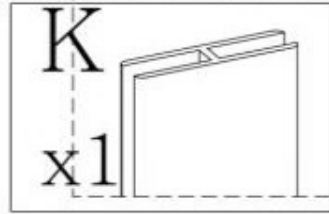
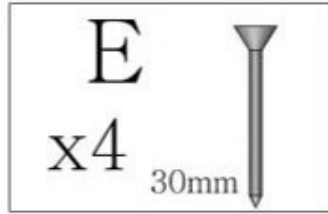
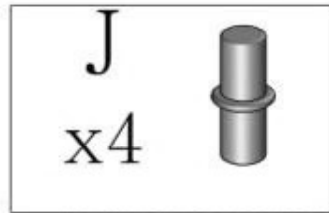
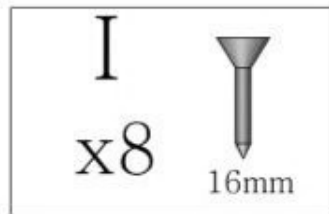
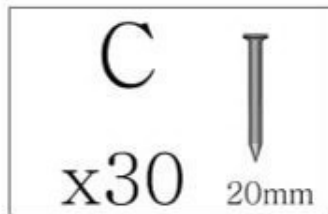
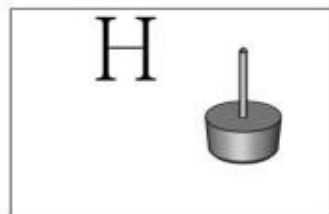
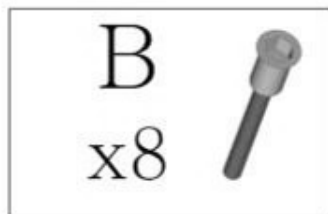
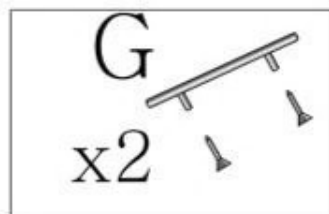
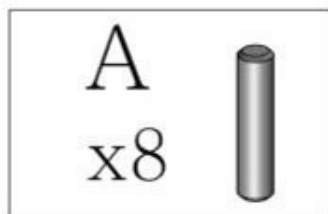
Follow steps 1 to 7



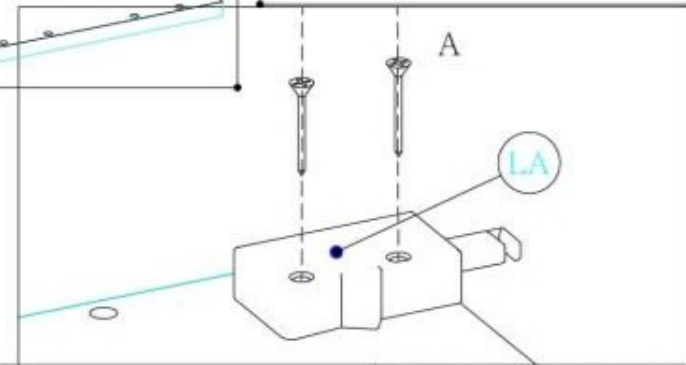
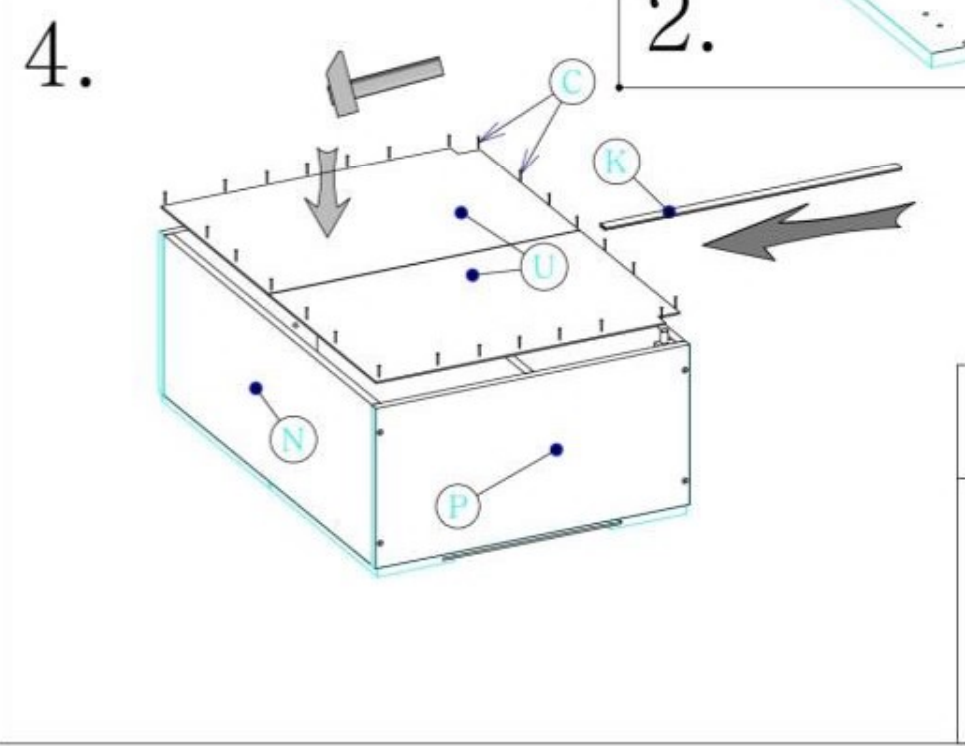
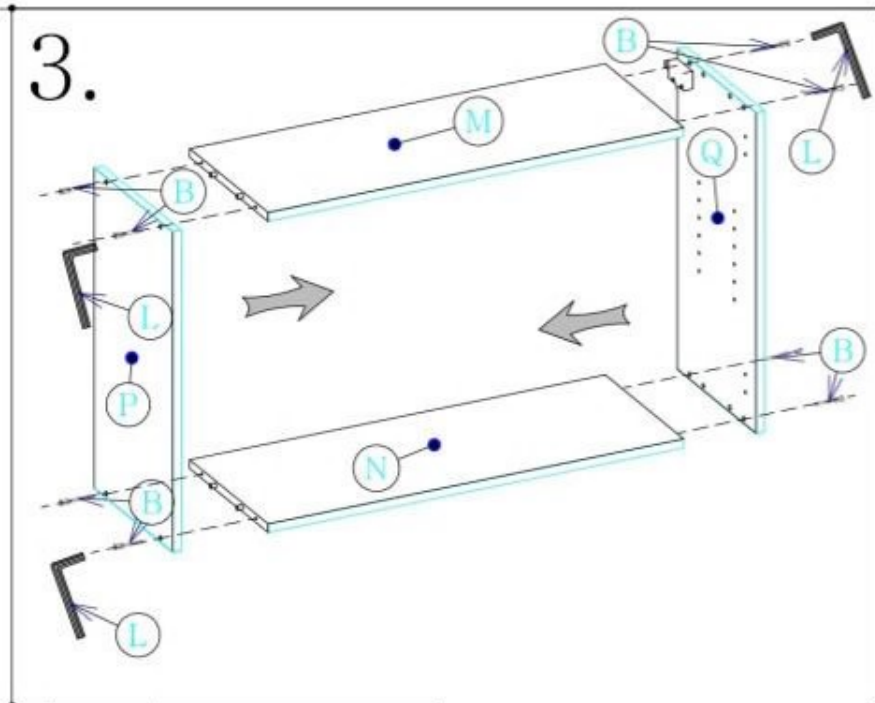
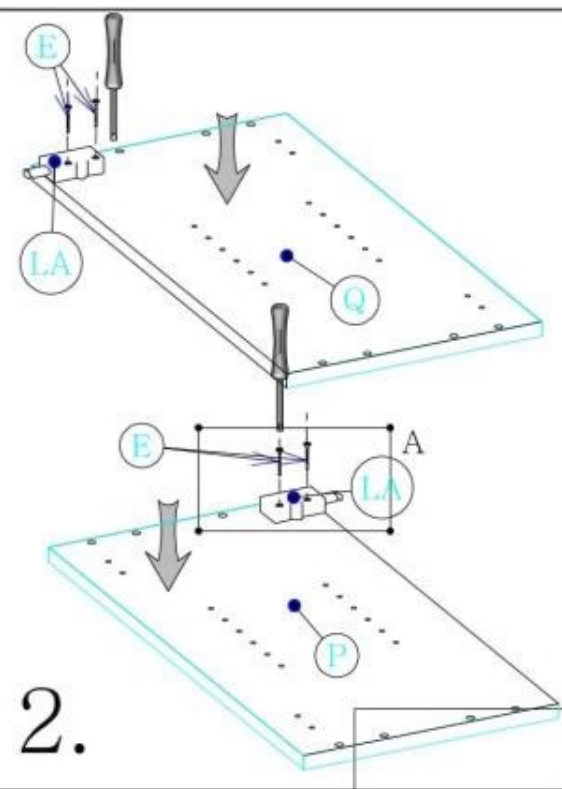
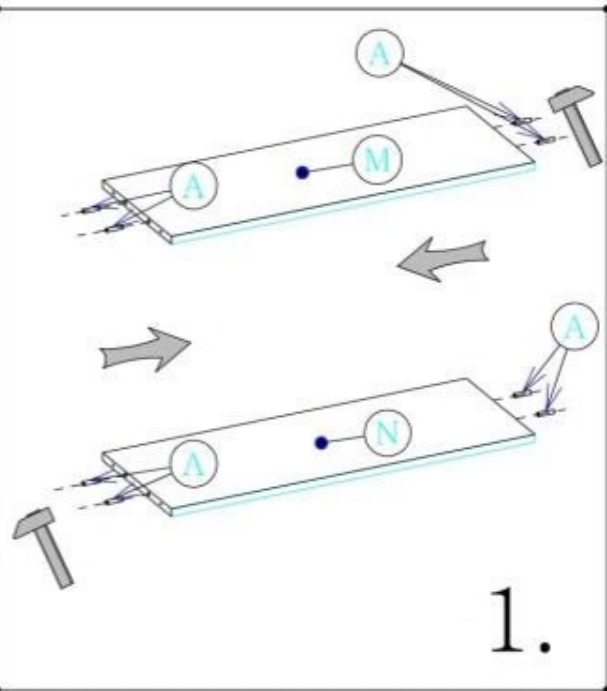
Assembly Instructions		1/1
G60-P_	External tools needed for assembly:hammer,screwdriver	
	Optional tools :Power drill with screwdriver bit	
240cm	Please follow steps	



Assembly Instructions		1/1
G60-P	External tools needed for assembly: hammer, screwdriver	
	Optional tools : Power drill with screwdriver bit	
240cm	Please follow steps	

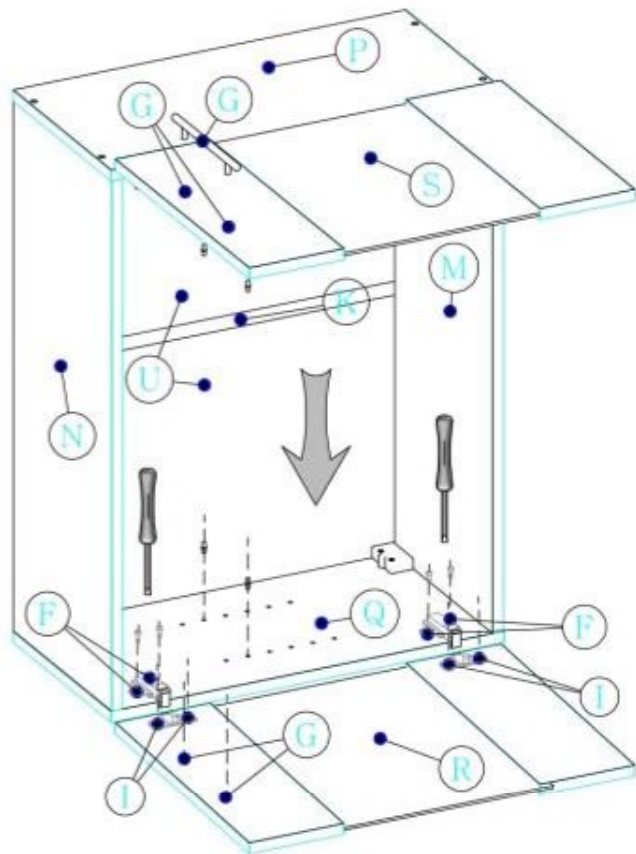


Assembly Instructions		3
G80W_	External tools needed for assembly:hammer,screwdriver	
	Optional tools :Power drill with screwdriver bit	
240cm	Please follow steps	

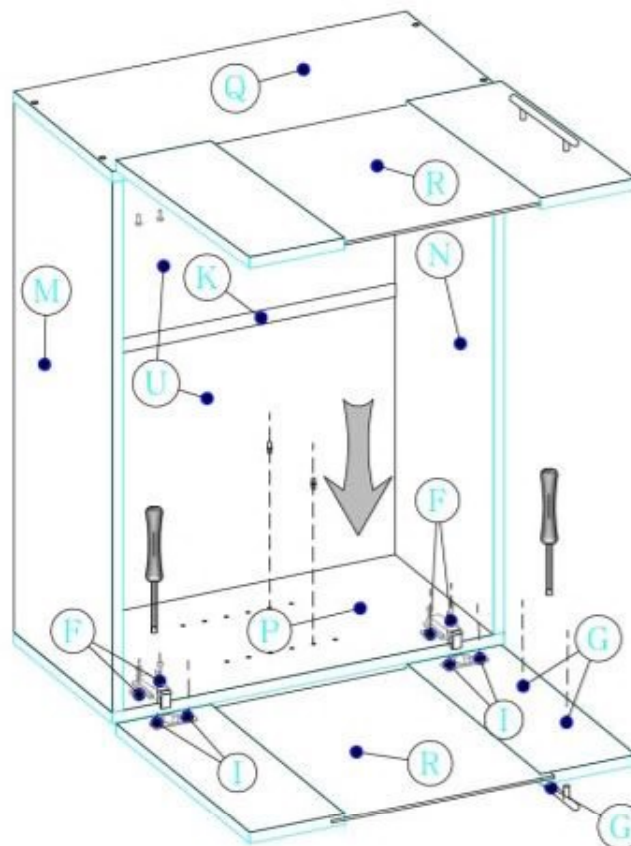


Assembly Instructions		1/2
G80-W	External tools needed for assembly:hammer,screwdriver	
	Optional tools :Power drill with screwdriver bit	
240cm	Please follow steps	

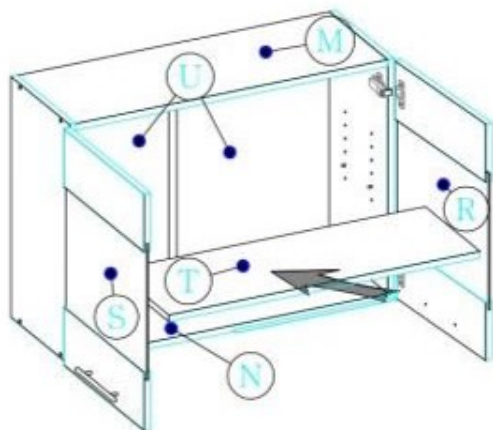
5.



6.



7.



Assembly Instructions		2/2
G80-W	External tools needed for assembly:hammer,screwdriver	
	Optional tools :Power drill with screwdriver bit	
240 cm	Please follow steps	